



US00D842758S

(12) **United States Design Patent** (10) **Patent No.:** **US D842,758 S**
Hall et al. (45) **Date of Patent:** **** Mar. 12, 2019**

(54) **REVERSE TRIKE ROADSTER**
(71) Applicants: **David R. Hall**, Provo, UT (US);
Stephen R. Hall, Draper, UT (US);
Joseph Duncan, Provo, UT (US)
(72) Inventors: **David R. Hall**, Provo, UT (US);
Stephen R. Hall, Draper, UT (US);
Joseph Duncan, Provo, UT (US)
(73) Assignee: **Hall Labs LLC**, Provo, UT (US)
(**) Term: **15 Years**

| | | | | | | |
|--------------|----|---|---------|---------|-------|----------------------|
| D424,979 | S | * | 5/2000 | Hanagan | | D12/85 |
| D427,548 | S | * | 7/2000 | Sacco | | D12/85 |
| D449,018 | S | * | 10/2001 | Musser | | D12/85 |
| D469,037 | S | * | 1/2003 | Hanagan | | D12/85 |
| D584,188 | S | * | 1/2009 | Jenkins | | D12/85 |
| D589,844 | S | * | 4/2009 | Aube | | D12/85 |
| D592,547 | S | * | 5/2009 | Riley | | D12/85 |
| D592,548 | S | * | 5/2009 | Aube | | D12/85 |
| D613,203 | S | * | 4/2010 | Geslin | | D12/85 |
| D626,032 | S | * | 10/2010 | Starr | | D12/85 |
| D633,821 | S | * | 3/2011 | Hill | | D12/85 |
| D666,127 | S | * | 8/2012 | Nam | | D12/85 |
| D678,124 | S | * | 3/2013 | Canni | | D12/85 |
| D682,158 | S | * | 5/2013 | Canni | | D12/85 |
| 2012/0241239 | A1 | * | 9/2012 | Holroyd | | B62K 5/05 180/210 |

(21) Appl. No.: **29/554,793**
(22) Filed: **Feb. 16, 2016**
(51) **LOC (11) Cl.** **12-08**
(52) **U.S. Cl.**
USPC **D12/85**
(58) **Field of Classification Search**
USPC D12/85, 86, 107, 131; D21/424, 433,
D21/434
CPC B62D 21/11; B62D 29/043; B62D 31/00;
B62D 49/00; B62D 61/065; B62L 3/00;
B62K 3/005; B62K 5/01; B62K 5/08;
B62K 5/027
See application file for complete search history.

* cited by examiner

Primary Examiner — Darlington Ly

(57) **CLAIM**

The ornamental design for a reverse trike roadster, as shown and described.

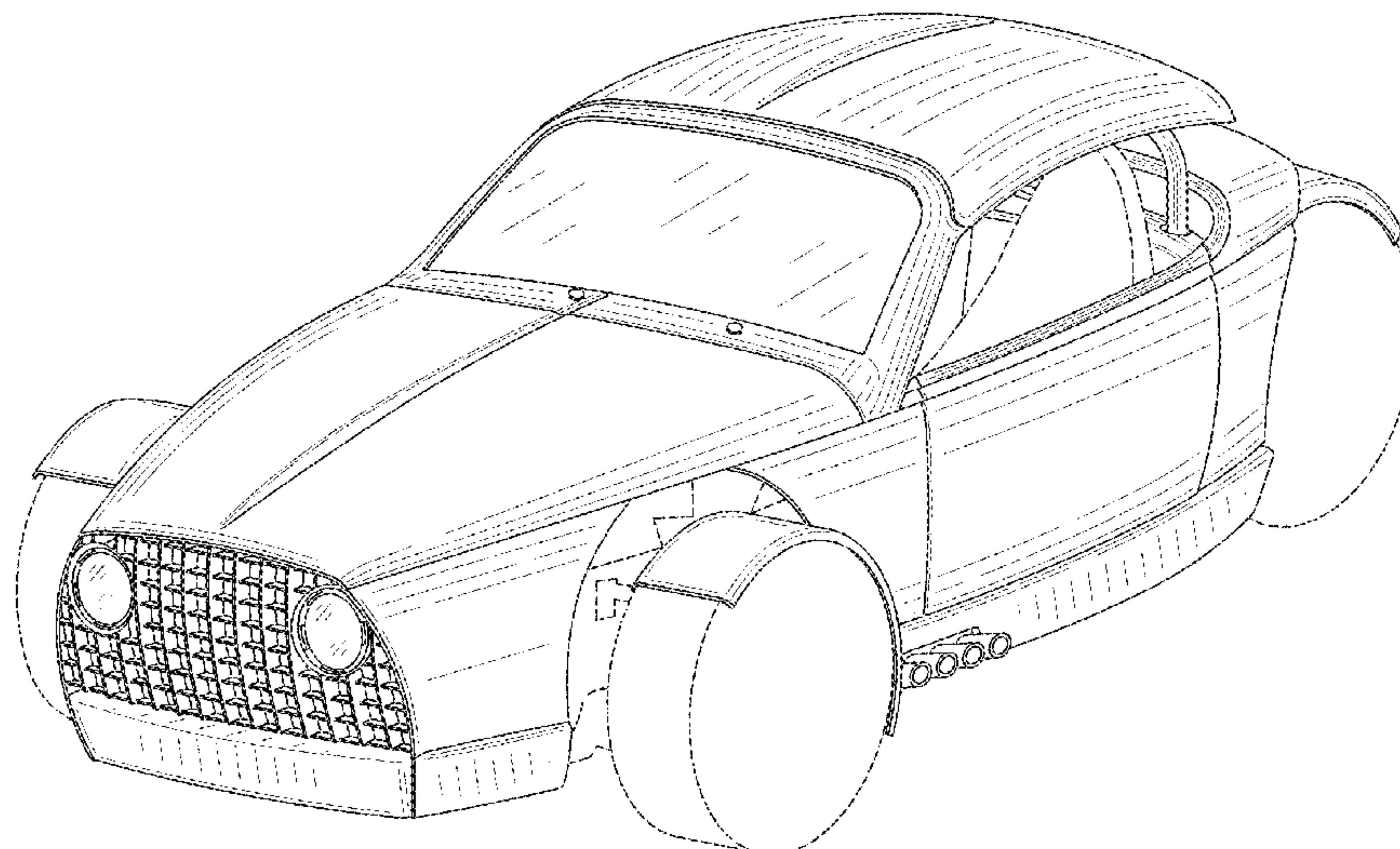
DESCRIPTION

FIG. 1 is a front elevation view of a reverse trike roadster showing our new design;
FIG. 2 is a front and left-side perspective view thereof;
FIG. 3 is a right-side elevation view thereof;
FIG. 4 is a left-side elevation view thereof;
FIG. 5 is a top plan view thereof;
FIG. 6 is a bottom and right-side perspective view thereof;
and,
FIG. 7 is a rear elevation view thereof.
The broken lines in the drawings illustrate portions of the reverse trike roadster that form no part of the claimed design.

(56) **References Cited**
U.S. PATENT DOCUMENTS

| | | | | | | |
|-----------|---|---|---------|-----------|-------|------------------------|
| D260,871 | S | * | 9/1981 | Cargile | | D12/85 |
| 4,573,546 | A | * | 3/1986 | Irimajiri | | B62D 61/065 180/211 |
| 4,703,824 | A | * | 11/1987 | Irimajiri | | B62D 61/065 180/210 |
| D404,688 | S | * | 1/1999 | Hanagan | | D12/85 |
| 6,015,022 | A | * | 1/2000 | Thuliez | | B62D 21/04 180/210 |

1 Claim, 7 Drawing Sheets



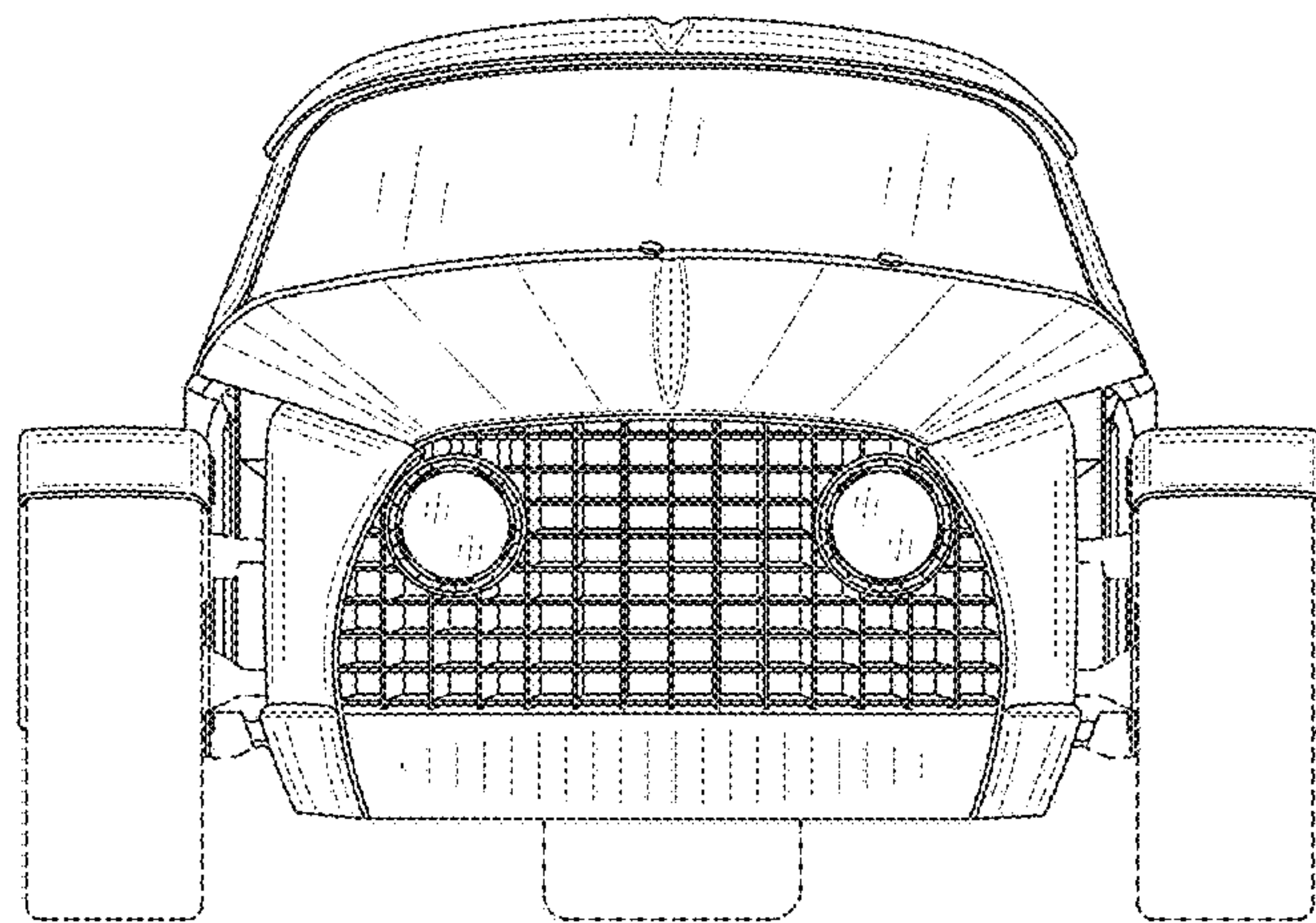


FIG. 1

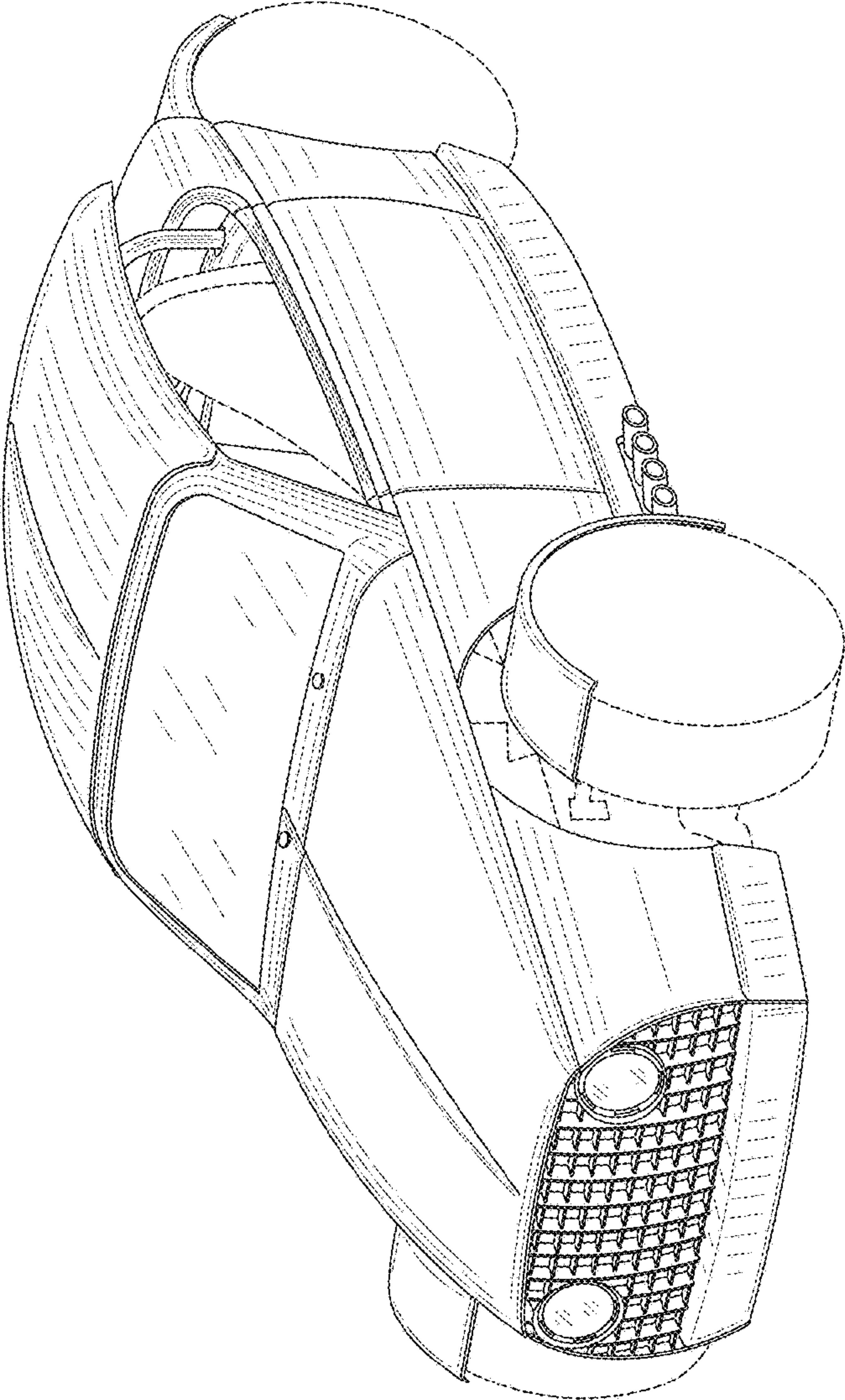


FIG. 2

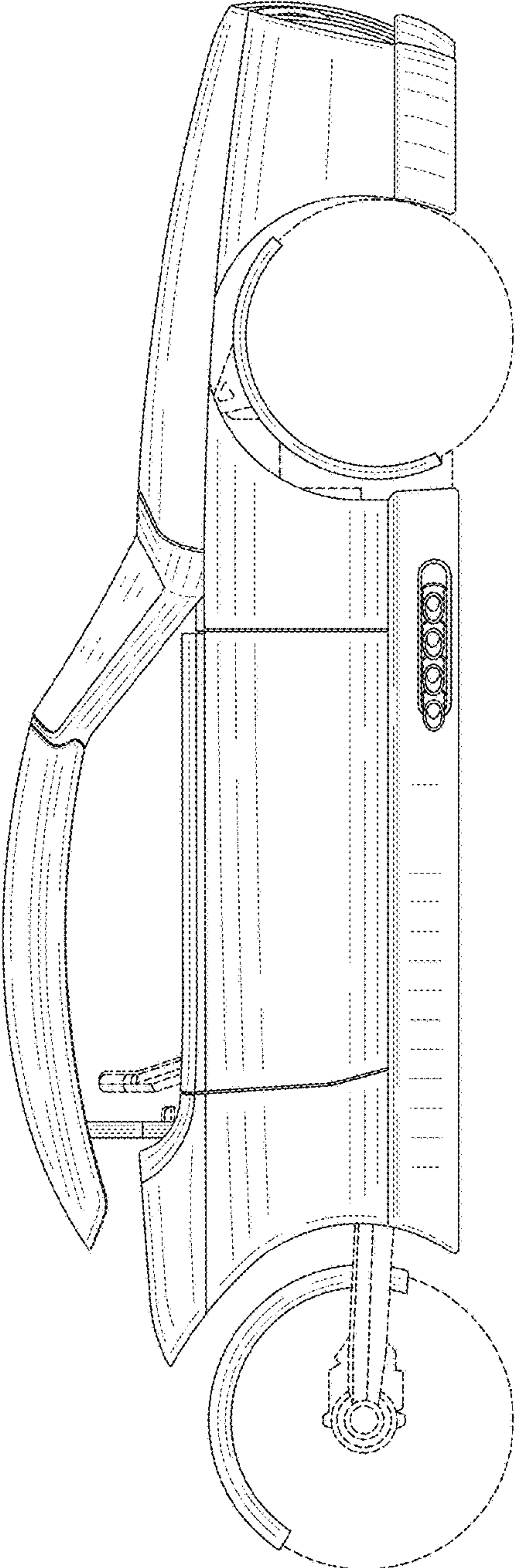


FIG. 3

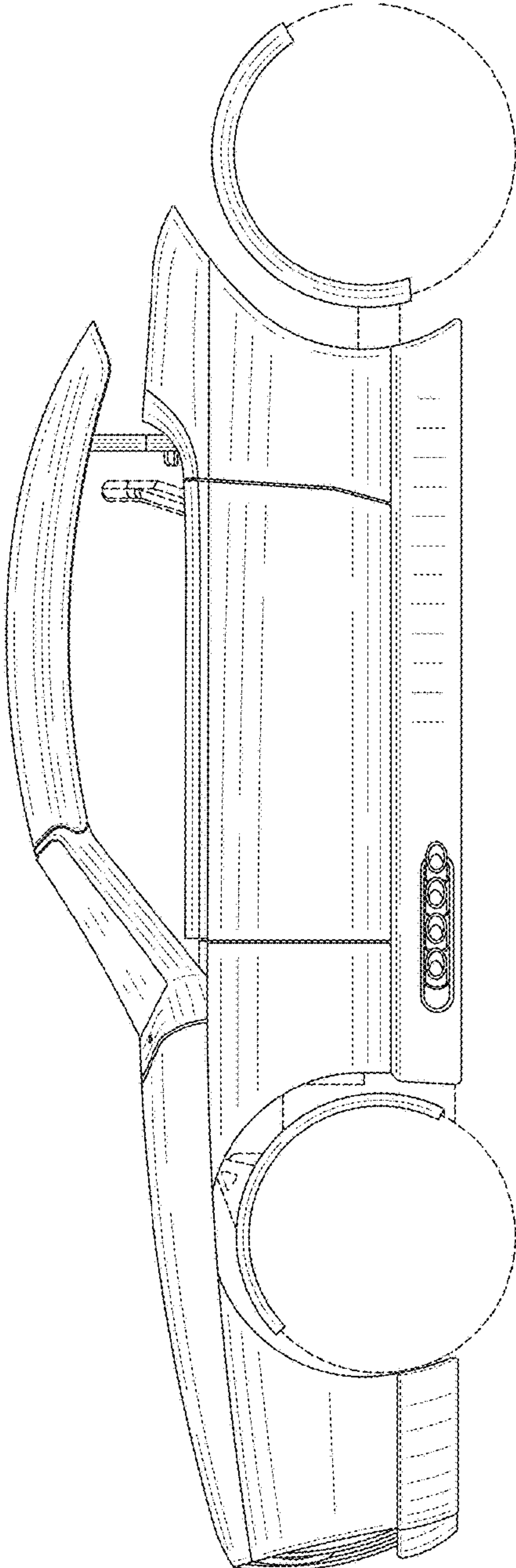


FIG. 4

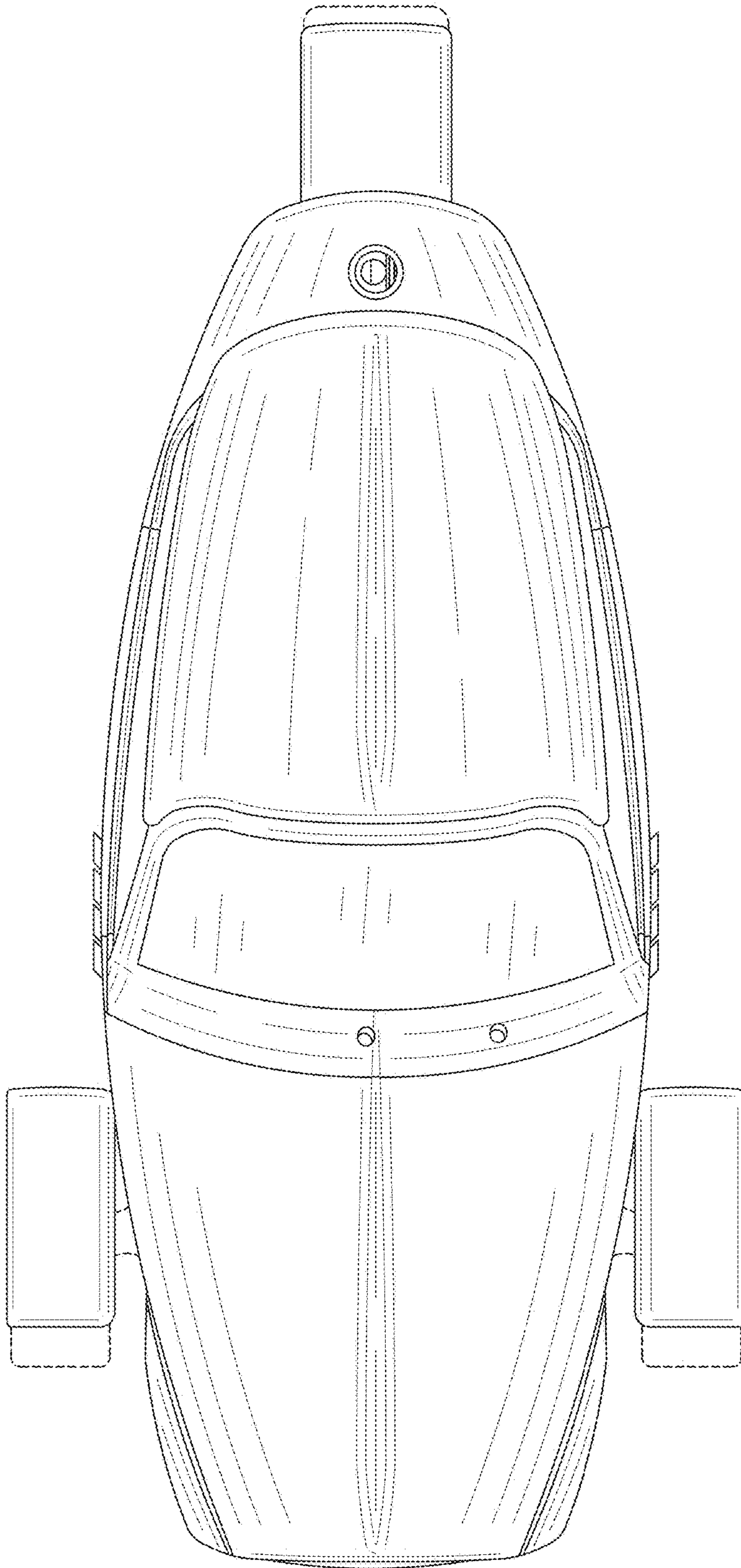


FIG. 5

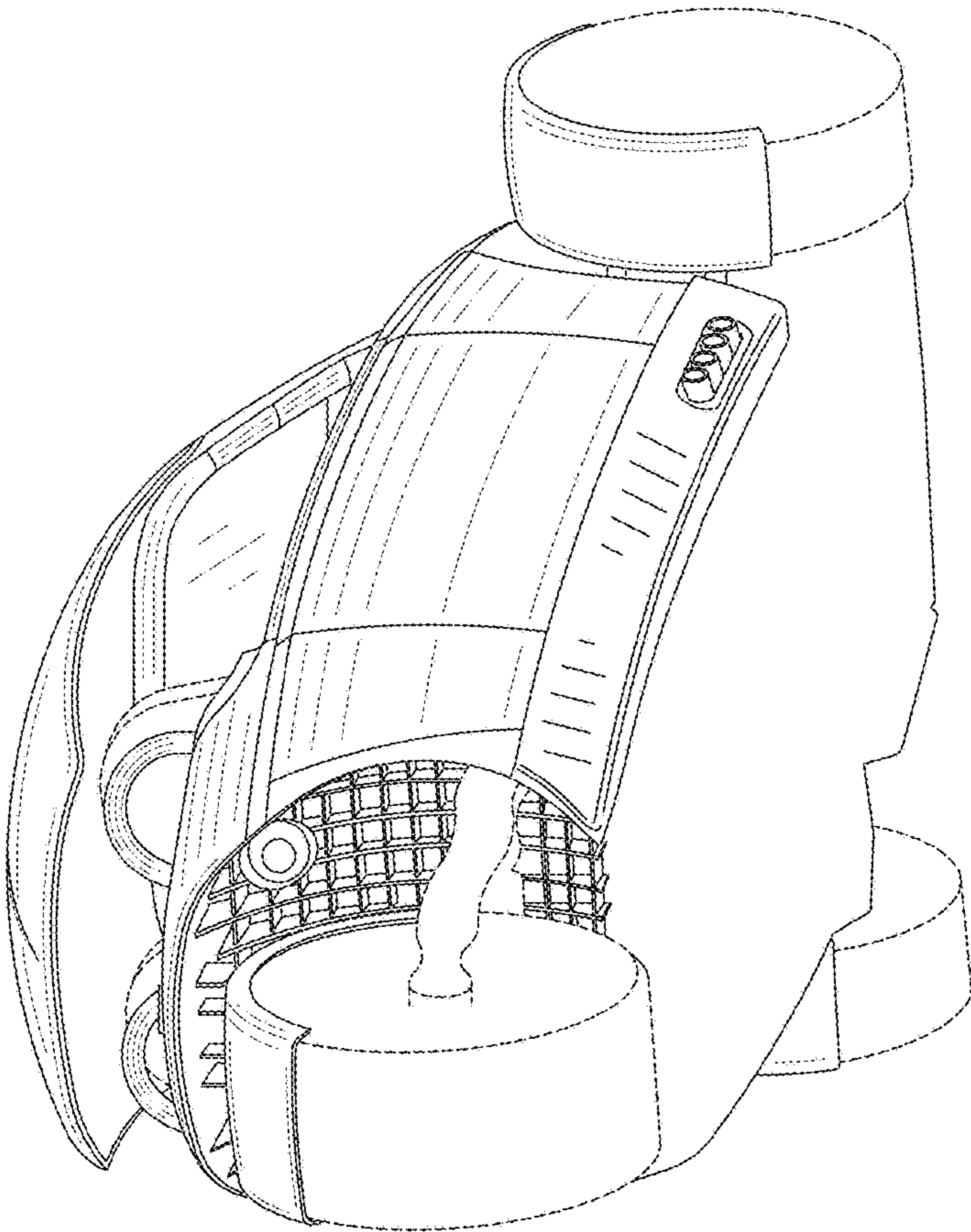


FIG. 6

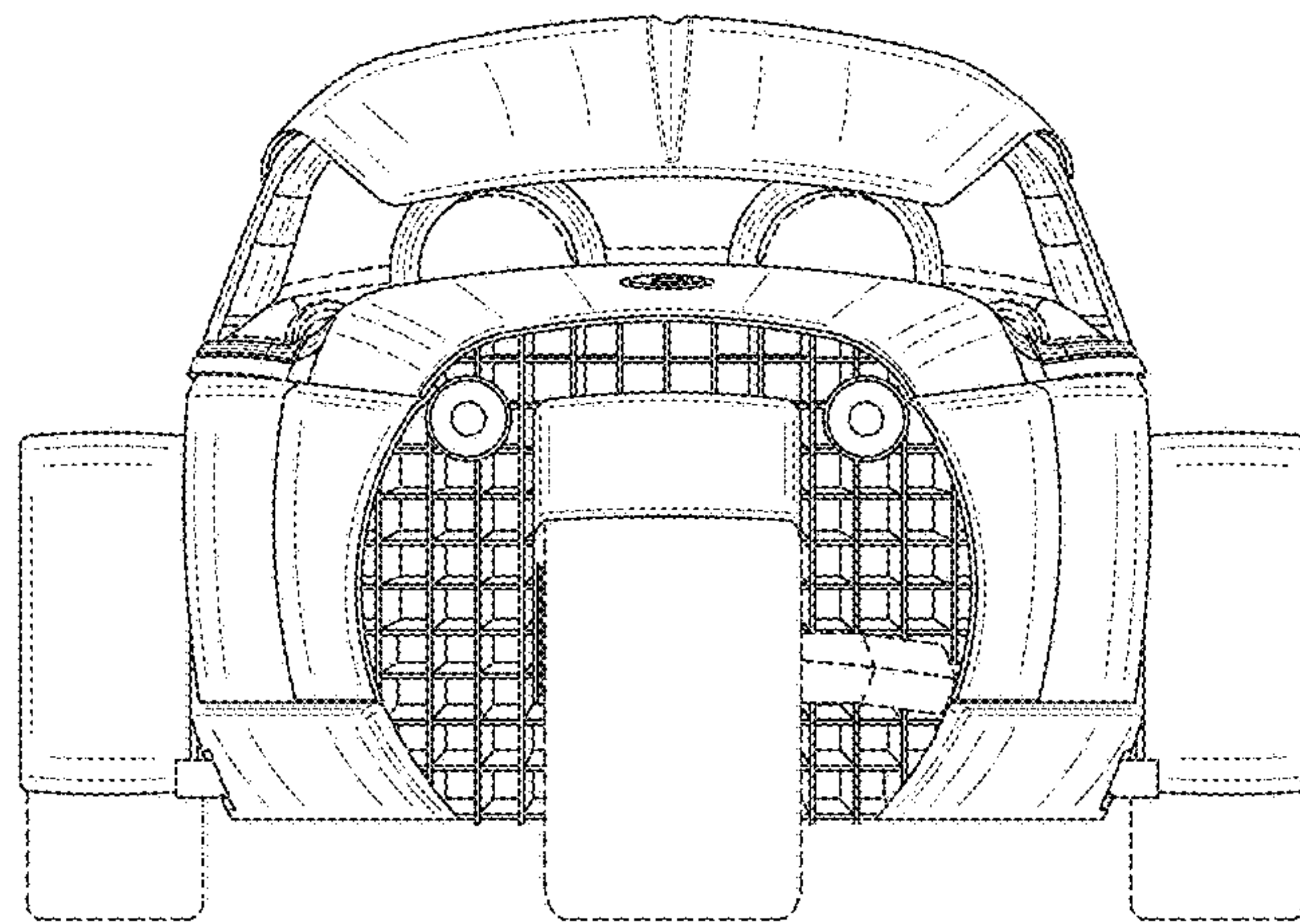


FIG. 7