



US00D842745S

(12) **United States Design Patent** (10) **Patent No.:** **US D842,745 S**  
**Vandenbussche et al.** (45) **Date of Patent:** **\*\* Mar. 12, 2019**

(54) **WRISTBAND FOR LOW PROFILE FITNESS TRACKER**

(56) **References Cited**

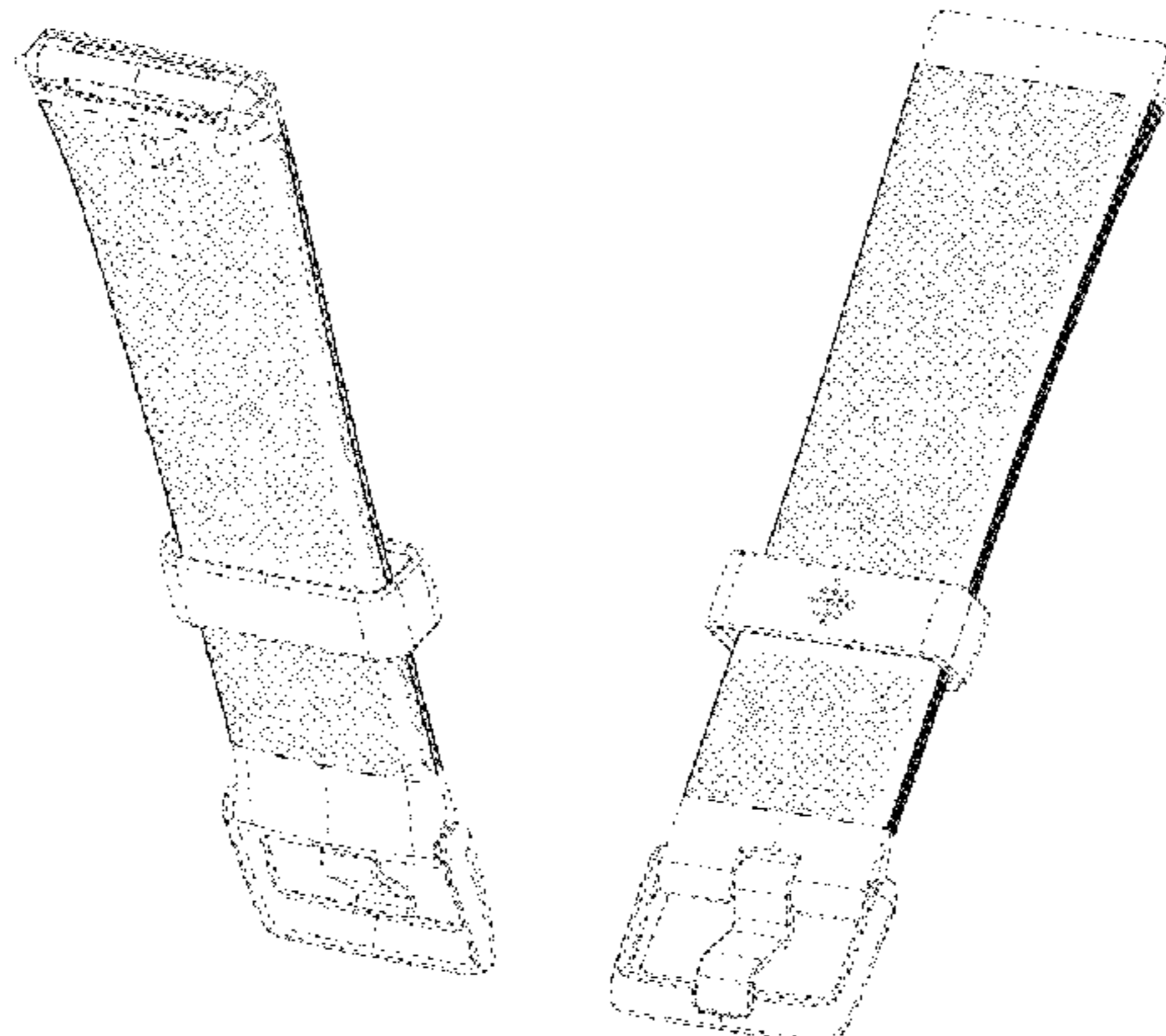
U.S. PATENT DOCUMENTS

- (71) Applicant: **Fitbit, Inc.**, San Francisco, CA (US)
- (72) Inventors: **Gregoire Ludovic Vincent Vandenbussche**, San Francisco, CA (US); **Chadwick John Harber**, San Francisco, CA (US); **Brian Dennis Paschke**, San Francisco, CA (US); **Jonah Avram Becker**, San Francisco, CA (US)
- (73) Assignee: **Fitbit, Inc.**, San Francisco, CA (US)
- (\*\*) Term: **15 Years**
- (21) Appl. No.: **29/630,475**
- (22) Filed: **Dec. 21, 2017**

1,709,179 A	4/1929	Lederer	
D383,073 S	9/1997	Miller	
6,738,317 B2	5/2004	Nussbaum	
D536,265 S	2/2007	Reynoso	
D548,129 S	8/2007	Fineide	
D589,375 S	3/2009	Tang	
7,575,368 B2	8/2009	Guillaume	
D621,808 S	8/2010	Kim	
D645,360 S	9/2011	Kiser et al.	
D667,126 S	9/2012	Cho et al.	
8,275,327 B2	9/2012	Yi et al.	
D721,701 S	1/2015	Al-Nasser	
D724,469 S *	3/2015	Akana .....	D11/3
D728,562 S *	5/2015	Park .....	D10/32
D728,624 S	5/2015	Akana et al.	
D730,210 S	5/2015	Song	
D731,482 S	6/2015	Song	
D732,022 S	6/2015	Song	
D733,706 S	7/2015	Song	
D735,191 S	7/2015	Song	
D737,158 S	8/2015	Akana et al.	
D737,159 S	8/2015	Akana et al.	
D738,372 S	9/2015	Song	
D740,693 S	10/2015	Carmichael	
9,189,023 B2	11/2015	Lim	
D747,313 S	1/2016	Song	
D750,625 S	3/2016	Solomon et al.	
D752,583 S	3/2016	Solomon et al.	
D755,178 S	5/2016	Solomon et al.	
D759,622 S	6/2016	Dahlberg	
D759,826 S	6/2016	Martinez et al.	
D763,719 S	8/2016	Nielsen et al.	
D764,340 S	8/2016	Akana et al.	
D764,341 S	8/2016	Akana et al.	
D771,035 S	11/2016	Akana et al.	
D777,590 S	1/2017	Nielsen et al.	
D784,325 S	4/2017	Kim et al.	
D789,822 S	6/2017	Akana et al.	
D790,374 S	6/2017	Lean et al.	
D790,994 S	7/2017	Nielsen et al.	
D795,719 S	8/2017	Lean et al.	
9,743,695 B2	8/2017	Yoo	
D805,513 S	12/2017	Akana et al.	
D806,589 S	1/2018	Le Bihan et al.	
D808,962 S	1/2018	Wu	
D809,144 S	1/2018	Wu	
D809,414 S	2/2018	Komulainen	
D811,904 S	3/2018	White et al.	
D813,695 S	3/2018	Nielsen et al.	

**Related U.S. Application Data**

- (63) Continuation of application No. 29/625,052, filed on Nov. 7, 2017.
- (51) **LOC (11) Cl.** ..... **11-01**
- (52) **U.S. Cl.**  
USPC ..... **D11/3**
- (58) **Field of Classification Search**  
USPC ..... D10/30-39, 46, 70; D11/1-25, 86, 93, D11/94; 24/456, 574.11, 587.11, 587.12, 24/578.15; 600/301; 224/164, 175; 368/276, 281, 282, 285  
CPC .. A44C 5/107; A44C 5/24; A44C 5/14; A44C 5/0053; A44C 5/0069; A44C 5/0076; A44C 5/00; A44C 5/0007; A44C 5/0015; A44C 5/0023; A44C 5/003; A44C 5/0061; A44C 5/12; A44C 5/147; A44C 5/18; A44C 5/185; A45F 5/00; A45F 2005/008; G04B 7/1486; G04B 37/16; G04B 37/18  
See application file for complete search history.



D821,247	S	6/2018	Lean et al.	
D822,526	S	7/2018	Lean et al.	
D827,838	S *	9/2018	Lillquist .....	D10/38
D828,352	S	9/2018	Akana et al.	
D829,123	S *	9/2018	Nielsen .....	D11/3
2014/0107493	A1	4/2014	Yuen et al.	
2014/0275854	A1	9/2014	Venkatraman et al.	
2014/0316305	A1	10/2014	Venkatraman et al.	
2015/0186609	A1	7/2015	Utter, II	
2016/0220865	A1	8/2016	Seo	
2016/0223992	A1	8/2016	Seo et al.	
2016/0255944	A1	9/2016	Baranski et al.	
2017/0065224	A1	3/2017	Rahko et al.	
2017/0086692	A1	3/2017	Freschl et al.	
2017/0172499	A1	6/2017	Yoo	

FOREIGN PATENT DOCUMENTS

CN	104257043	A	1/2015
CN	104665130	A	6/2015
CN	204467157	U	7/2015
CN	206101834	U	4/2017
CN	206866760	U	1/2018
CN	207341307	U	5/2018
CN	207341311	U	5/2018

OTHER PUBLICATIONS

U.S. Appl. No. 29/572,967 filed Aug. 1, 2016, applicant Fitbit, Inc.  
 U.S. Appl. No. 29/593,260 filed Feb. 7, 2017, applicant Fitbit, Inc.  
 U.S. Appl. No. 29/593,261 filed Feb. 7, 2017, applicant Fitbit, Inc.  
 U.S. Appl. No. 29/596,216 filed Mar. 6, 2017, applicant Fitbit, Inc.  
 U.S. Appl. No. 29/602,541 filed May 1, 2017, applicant Fitbit, Inc.  
 U.S. Appl. No. 29/625,052 filed Nov. 7, 2017, applicant Fitbit, Inc.  
 U.S. Appl. No. 29/520,607 filed Mar. 16, 2015, applicant Fitbit, Inc.  
 U.S. Appl. No. 29/524,027 filed Apr. 15, 2015, applicant Fitbit, Inc.  
 U.S. Appl. No. 29/541,368 filed Oct. 2, 2015, applicant Fitbit, Inc.  
 U.S. Appl. No. 29/568,588 filed Jun. 20, 2016, applicant Fitbit, Inc.  
 U.S. Appl. No. 29/621,239 filed Oct. 5, 2017, applicant Fitbit, Inc.  
 U.S. Appl. No. 29/614,464 filed Aug. 8, 2017, applicant Fitbit, Inc.  
 U.S. Appl. No. 29/548,501 filed Dec. 14, 2015, applicant Fitbit, Inc.  
 U.S. Appl. No. 29/564,199 filed May 11, 2016, applicant Fitbit, Inc.  
 U.S. Appl. No. 29/614,479 filed Aug. 18, 2017, applicant Fitbit, Inc.  
 U.S. Appl. No. 29/522,853 filed Apr. 2, 2015, applicant Fitbit, Inc.  
 U.S. Appl. No. 29/522,858 filed Apr. 2, 2015, applicant Fitbit, Inc.  
 U.S. Appl. No. 29/540,741 filed Sep. 28, 2015, applicant Fitbit, Inc.  
 ACBEE Replacement watch band with buckle for Fitbit ALTA for sale at [www.amazon.com](http://www.amazon.com), Website accessed Nov. 7, 2018.  
 PERFIT rubber watch band with double prong buckle and spring bars for sale at [www.amazon.com](http://www.amazon.com). Website accessed Nov. 7, 2018.  
 Waterproof diving silicone rubber strap with clasp for sale at [www.aliexpress.com](http://www.aliexpress.com) (Alibaba Group). Website accessed Feb. 7, 2018.  
 Damusy Fitness Tracker Smart Band for sale at [www.activityandfitnesstrackers.com](http://www.activityandfitnesstrackers.com). Website accessed Nov. 10, 2018.  
 VOLEMER F09HR Smart Band Fitness Tracker for sale at [www.epaky.com](http://www.epaky.com). Website accessed Nov. 10, 2018.  
 “First Look: Fitbit announces new Fitbit Alta activity tracker”, published Feb. 3, 2016 on DC Rainmaker ([www.dcrainmaker.com](http://www.dcrainmaker.com)). Website accessed Nov. 10, 2018.  
 Fitbit Alta—for sale by Fitbit (<https://www.fitbit.com/alta>). Website accessed Mar. 27, 2017.  
 Fitbit Alta replacement bands—for sale at [www.amazon.com](http://www.amazon.com). Website accessed Jul. 17, 2017.  
 Fitbit Alta review published Mar. 25, 2016 on C|Net ([www.cnet.com](http://www.cnet.com)). Website accessed Nov. 11, 2018.  
 Fitbit Charge 2 Heart Rate and Fitness Wristband for sale at [www.amazon.co.uk](http://www.amazon.co.uk). Website accessed Feb. 7, 2018.  
 Fitbit Flex Wireless Activity and Sleep Wristband for sale at [www.amazon.com](http://www.amazon.com). Listed at least as early as Apr. 16, 2013.  
 Fitbit Ionic Accessory Band for sale at Nordstrom (<https://shop.nordstrom.com>). Website accessed Nov. 7, 2018.

Fitbit Alta HR Bands for sale at The Fitness Equipment Shop ([www.thefitnessequipmentshop.com](http://www.thefitnessequipmentshop.com)). Website accessed Nov. 17, 2018.  
 LUMINOX Replacement Rubber Watch Band Strap for sale at Walmart ([www.walmart.com](http://www.walmart.com)). Website accessed Nov. 7, 2018.  
 “MPOW DS-D6 Fitness Band Review” published Jan. 13, 2018 on ZeroAir ([www.zeroair.wordpress.com](http://www.zeroair.wordpress.com)). Website accessed Nov. 10, 2018.  
 “Fitbit Product Teardown” on Pinterest, pinned from [www.ifixit.com](http://www.ifixit.com). Website accessed Feb. 27, 2017.  
 Pro Elite Medicine Ball by Power Systems ([www.power-systems.com](http://www.power-systems.com)). Website accessed Feb. 7, 2018.  
 Replacement metal watch band Connector for Fitbit Alta/Fitbit Alta HR for sale at Banggood ([www.banggood.com](http://www.banggood.com)). Website accessed Nov. 10, 2018.  
 Citrine by the Stones Sol Forearm Band for sale at Shopbop ([www.shopbop.com](http://www.shopbop.com)). Website accessed Nov. 11, 2018.  
 Gorjana Mia Wrap Cuff for sale at Shopbop ([www.shopbop.com](http://www.shopbop.com)). Website accessed Nov. 11, 2018.  
 Marc by Marc Jacobs Engraved Turlock Leather Bangle Bracelet for sale at Shopbop ([www.shopbop.com](http://www.shopbop.com)). Website accessed Nov. 11, 2018.  
 Monserat de Lucca Measuring Tape Bracelet for sale at Shopbop ([www.shopbop.com](http://www.shopbop.com)). Website accessed Nov. 11, 2018.  
 Suppa G-Shock Strap Adapters, online at least as early as Dec. 13, 2013. Accessed Feb. 7, 2017.  
 Suunto Core watchband on Instagram. Accessed Feb. 7, 2017.  
 GK Fitbit Alta Bands—replacement sport strap bands for Fitbit Alta for sale at Walmart ([www.walmart.com](http://www.walmart.com)). Website accessed Nov. 7, 2018.

\* cited by examiner

*Primary Examiner* — Antoine Duval Davis  
 (74) *Attorney, Agent, or Firm* — Polson Intellectual Property Law, PC; Margaret Polson

(57) CLAIM

We claim the ornamental design for a wristband for low-profile fitness tracker, as shown and described.

DESCRIPTION

FIG. 1 is a front view of a first band portion of a wristband for a low-profile fitness tracker.  
 FIG. 2 is a back view of the first band portion of FIG. 1.  
 FIG. 3 is a top view of the first band portion of FIG. 1.  
 FIG. 4 is a bottom view of the first band portion of FIG. 1.  
 FIG. 5 is an isometric view of the first band portion of FIG. 1.  
 FIG. 6 is a side view of the first band portion of FIG. 1.  
 FIG. 7 is the other side view of the first band portion of FIG. 1.  
 FIG. 8 is an off-angle view of the first band portion of FIG. 1.  
 FIG. 9 is a front view of a second band portion of the wristband for the low-profile fitness tracker.  
 FIG. 10 is a back view of the first band portion of FIG. 9.  
 FIG. 11 is a top view of the first band portion of FIG. 9.  
 FIG. 12 is a bottom view of the first band portion of FIG. 9.  
 FIG. 13 is an isometric view of the first band portion of FIG. 9.  
 FIG. 14 is a side view of the first band portion of FIG. 9.  
 FIG. 15 is the other side view of the first band portion of FIG. 9.  
 FIG. 16 is an off-angle view of the first band portion of FIG. 9; and,

FIG. 17 is another off-angle view of the first band portion of FIG. 9.

Stipple shading is used in all of the accompanying Figures to convey surface contouring and not texture. The broken lines shown in the drawings illustrate portions of the wrist-band that form no part of the claimed design; dash-dot-dot boundary lines and rectangles indicate a transition between claimed and unclaimed subject matter. Surfaces that do not include stipple shading and are bounded, at least in part, by broken lines and/or dash-dot-do boundary lines or rectangles form no part of the claimed design.

**1 Claim, 6 Drawing Sheets**

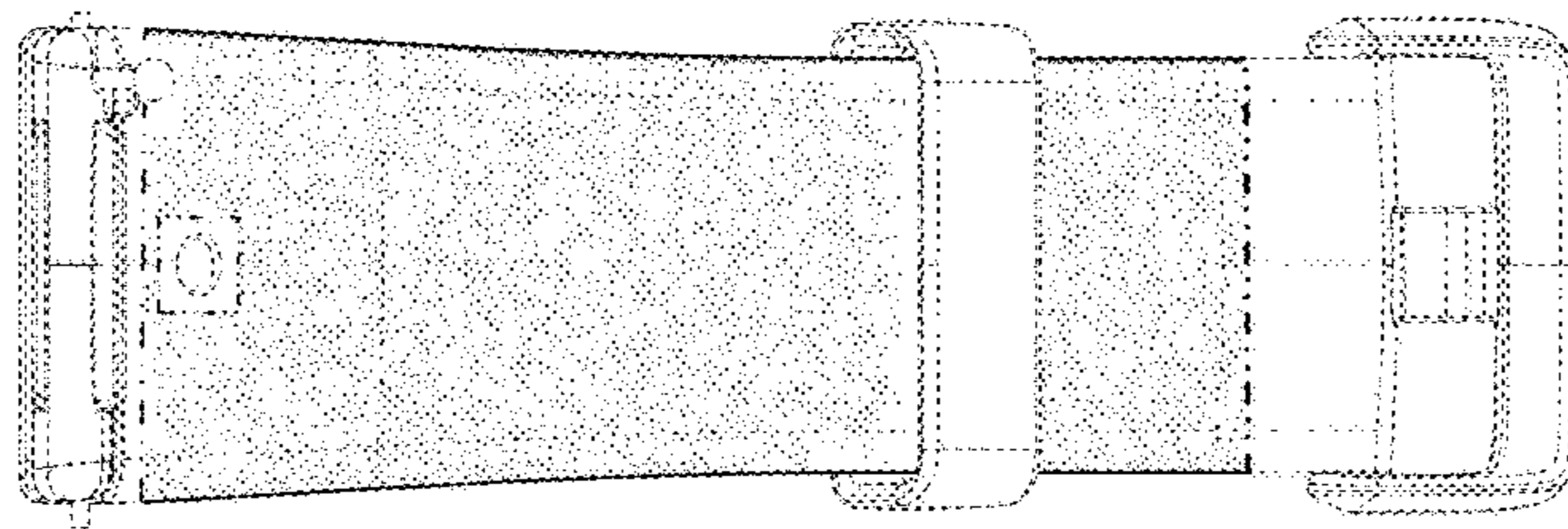


Figure 1

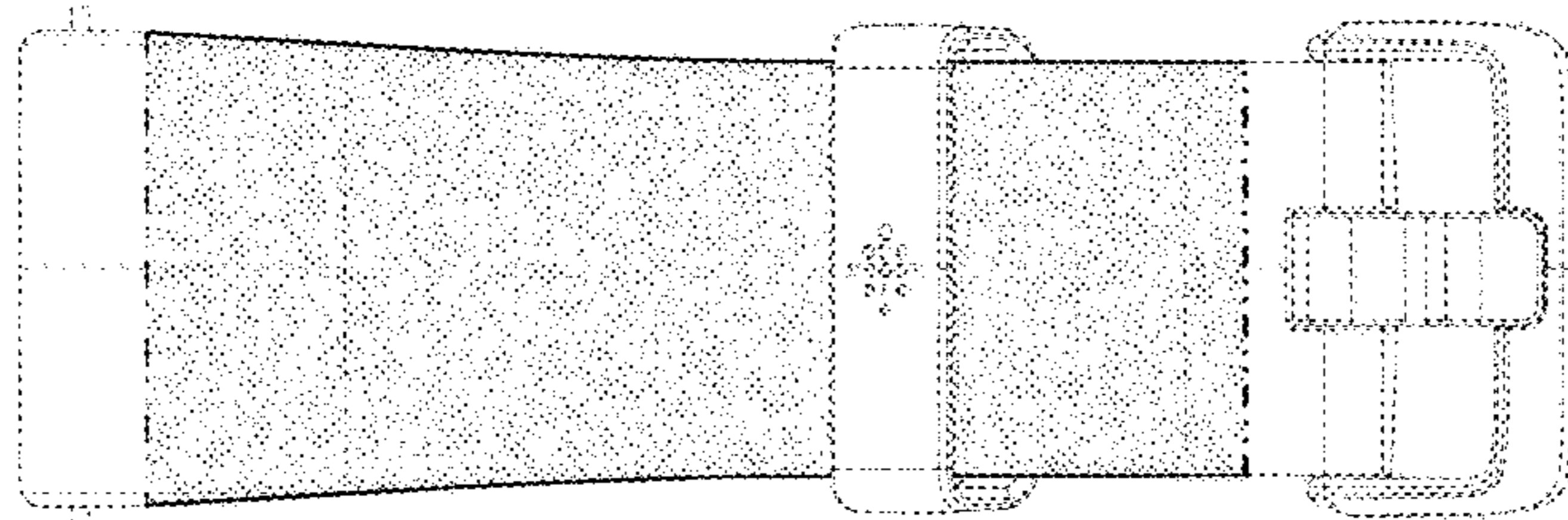


Figure 2

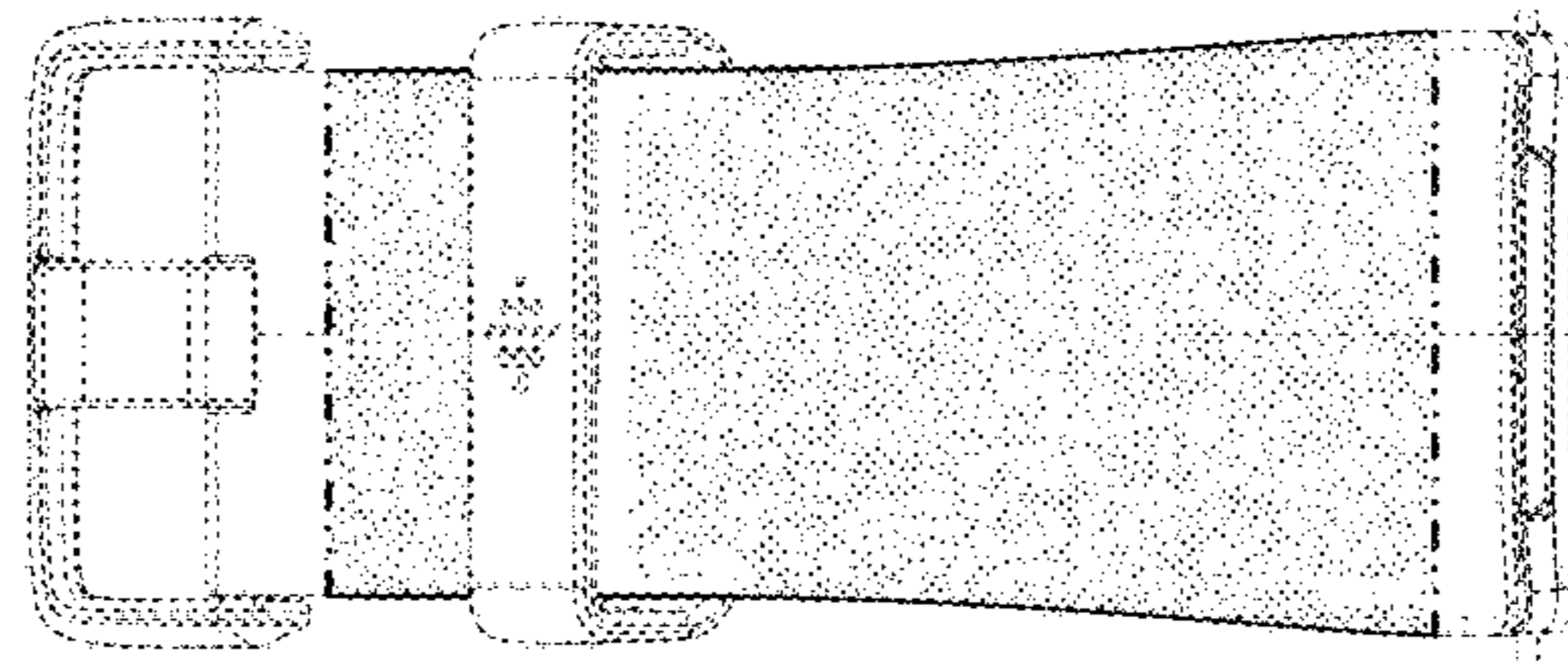


Figure 3

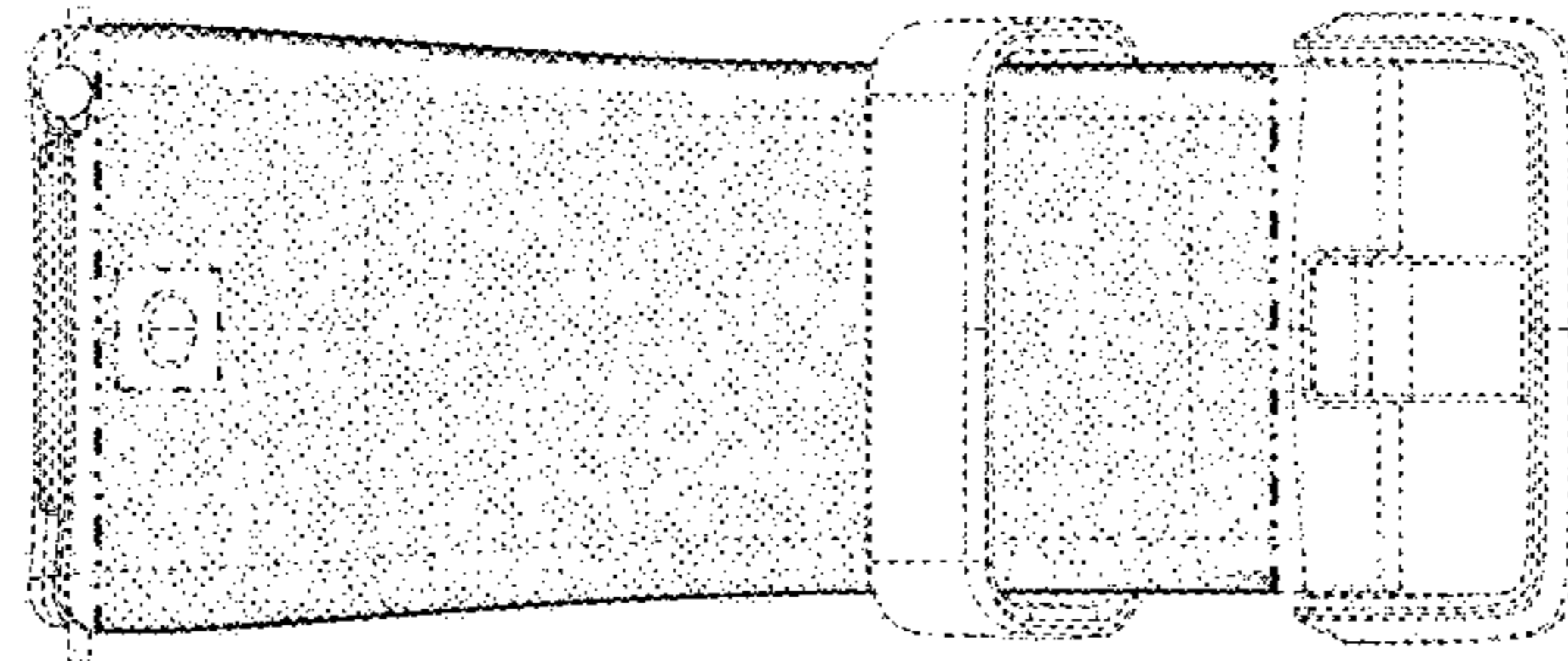


Figure 4

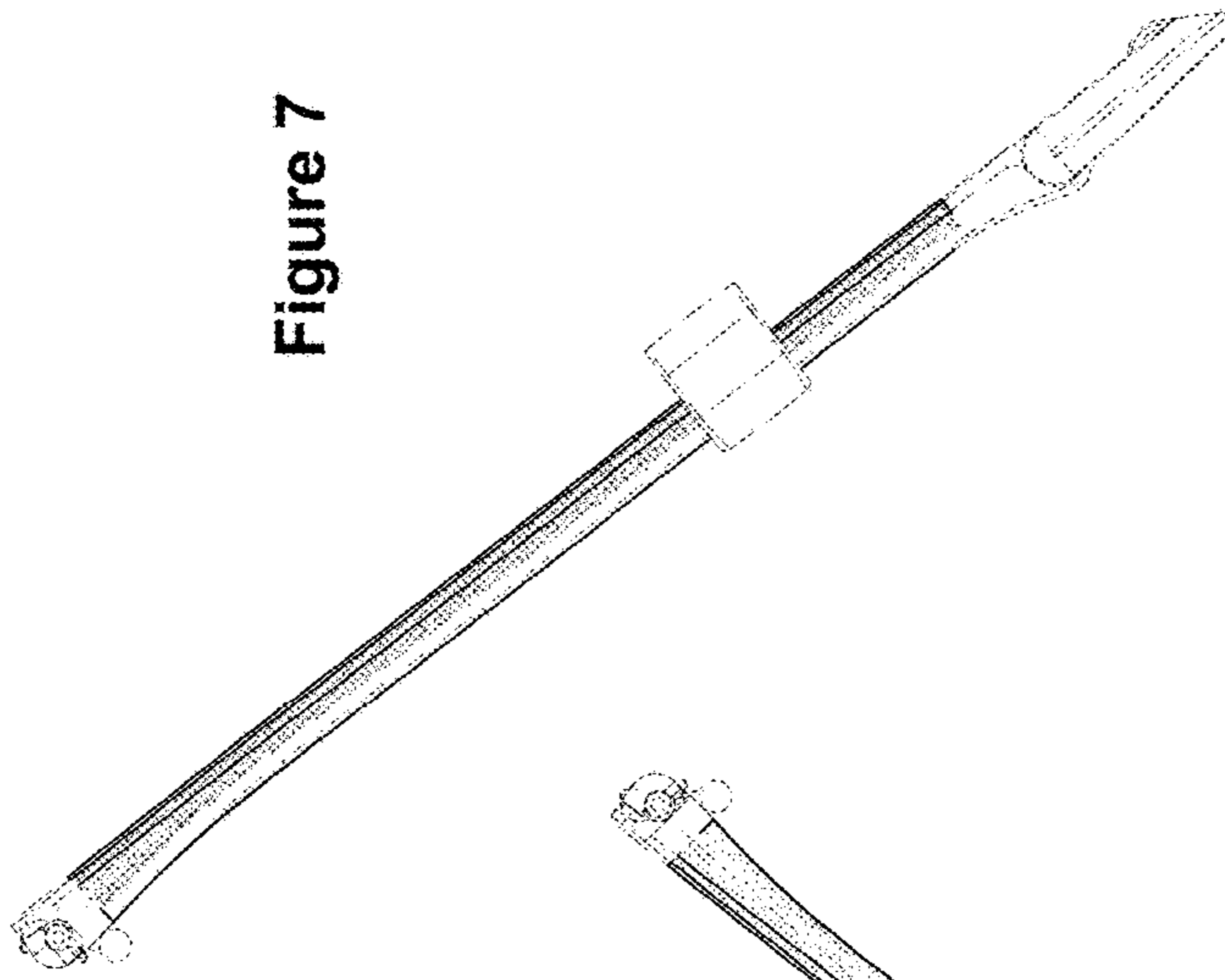


Figure 7

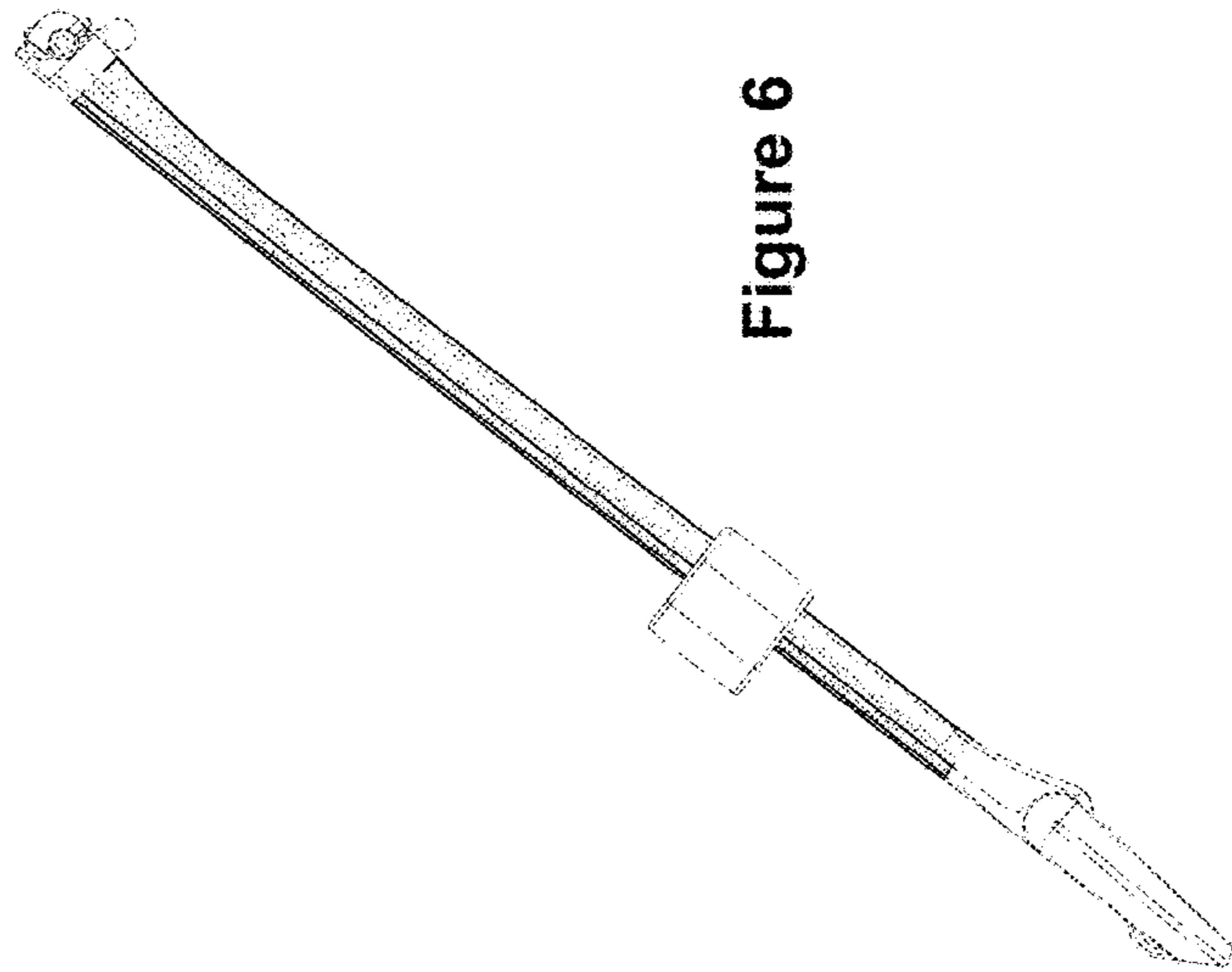


Figure 6

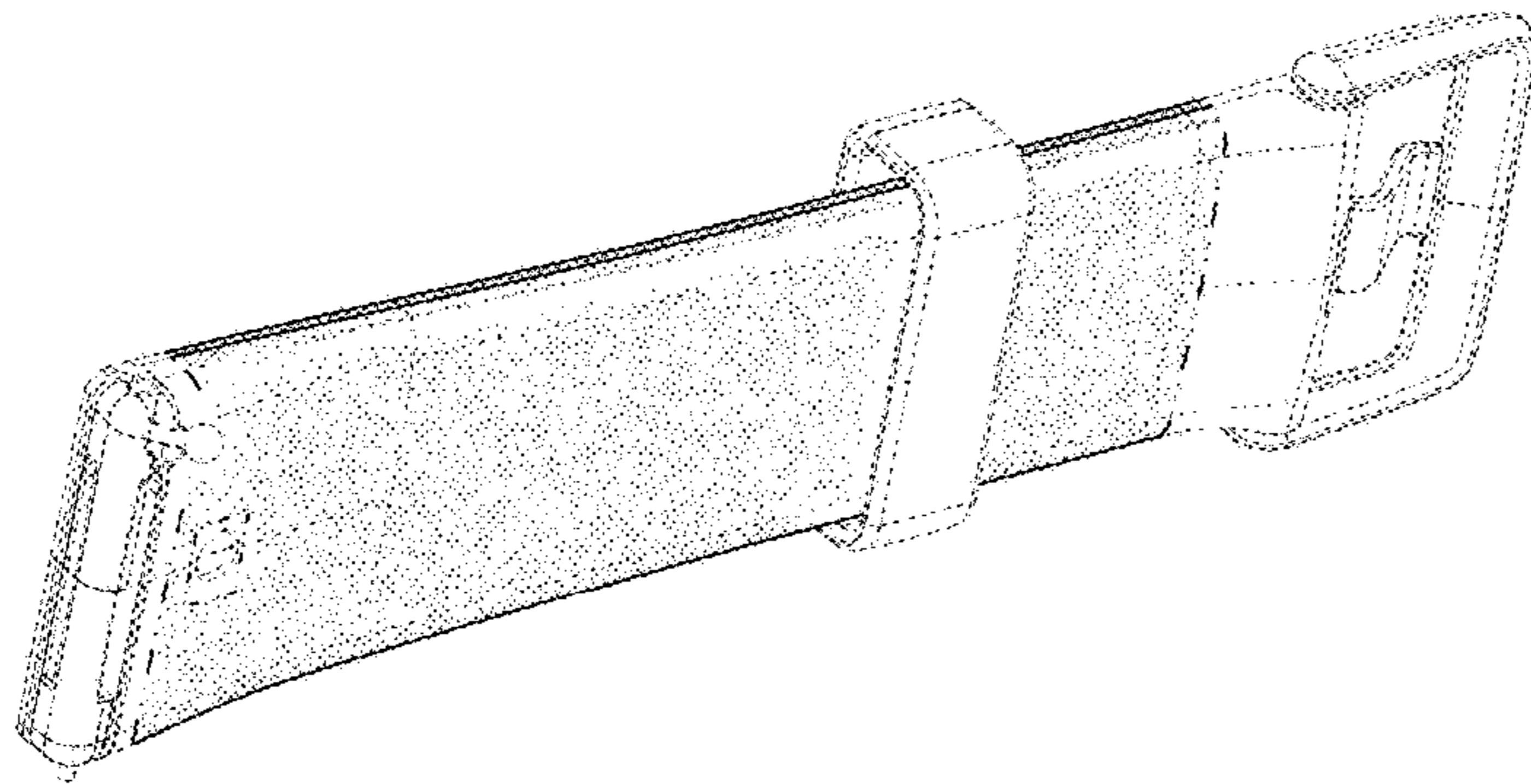


Figure 5

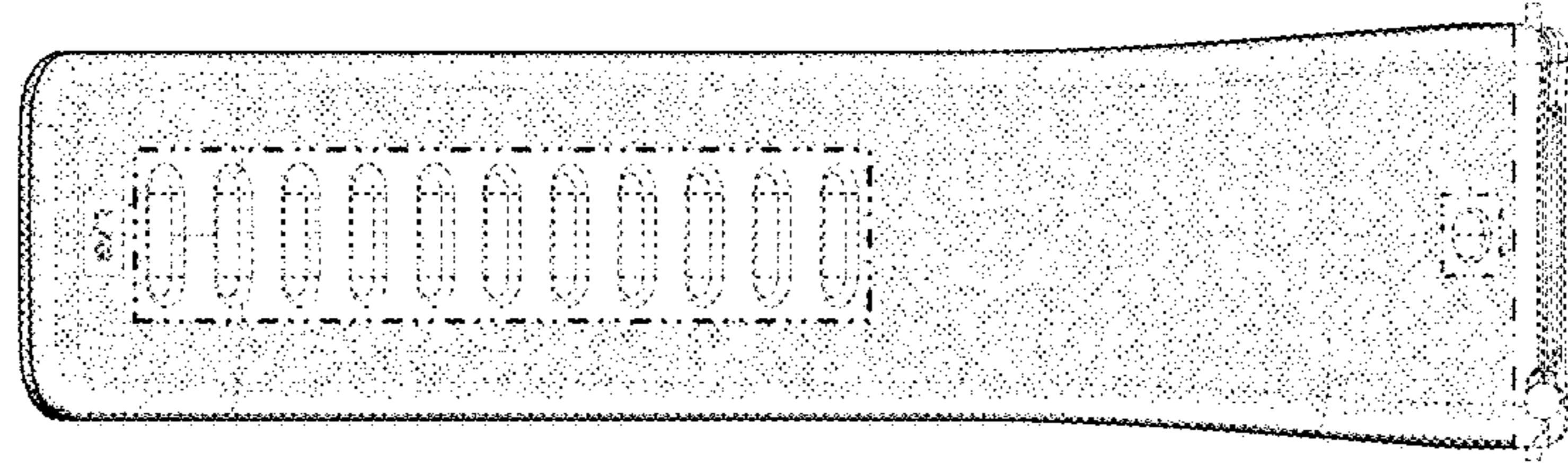


Figure 12

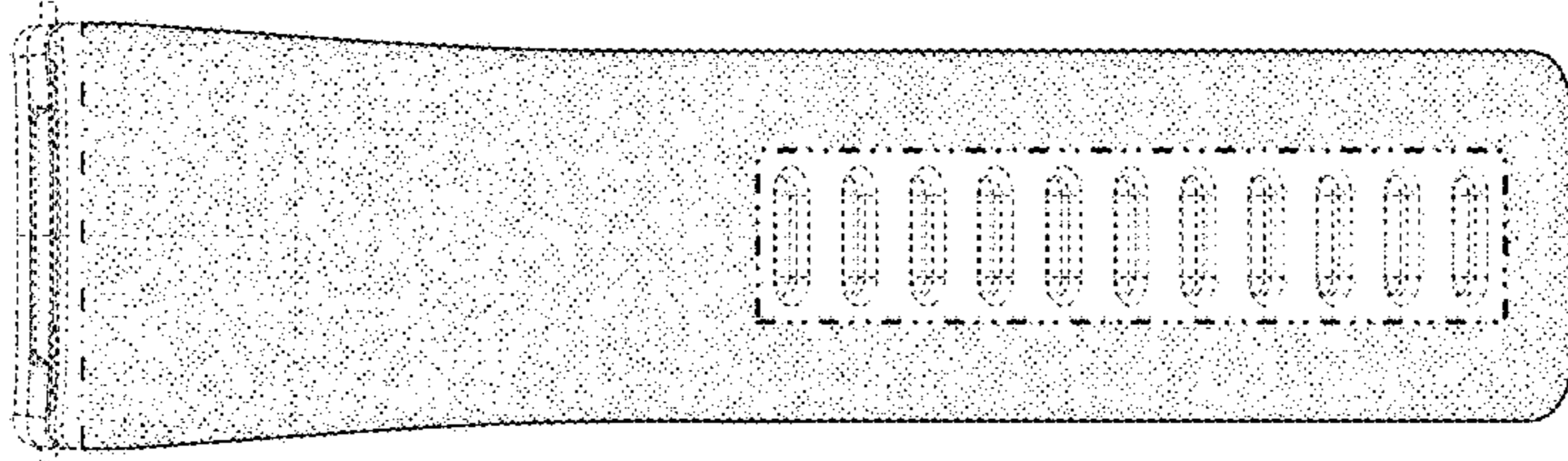


Figure 11

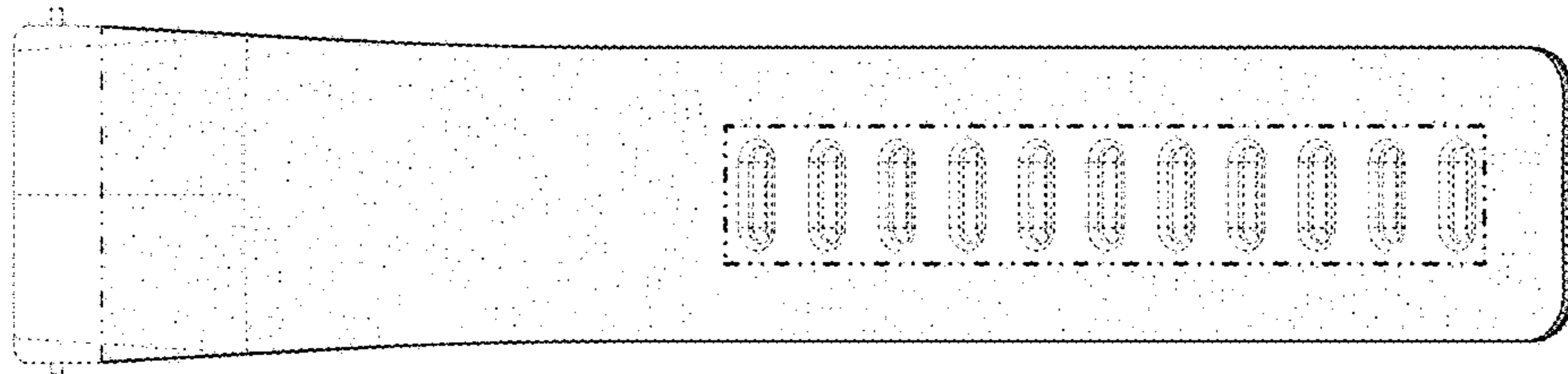


Figure 10

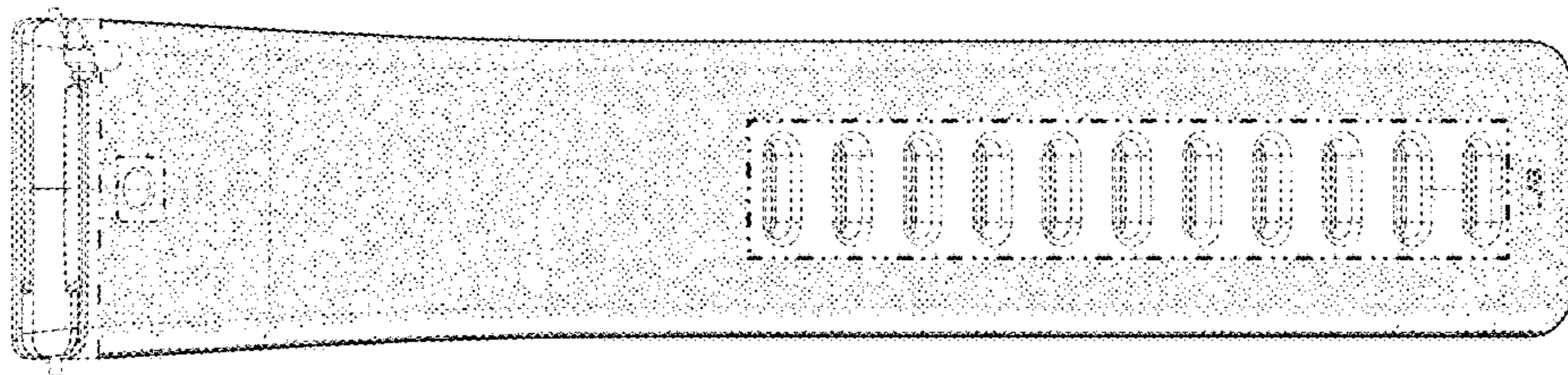


Figure 9

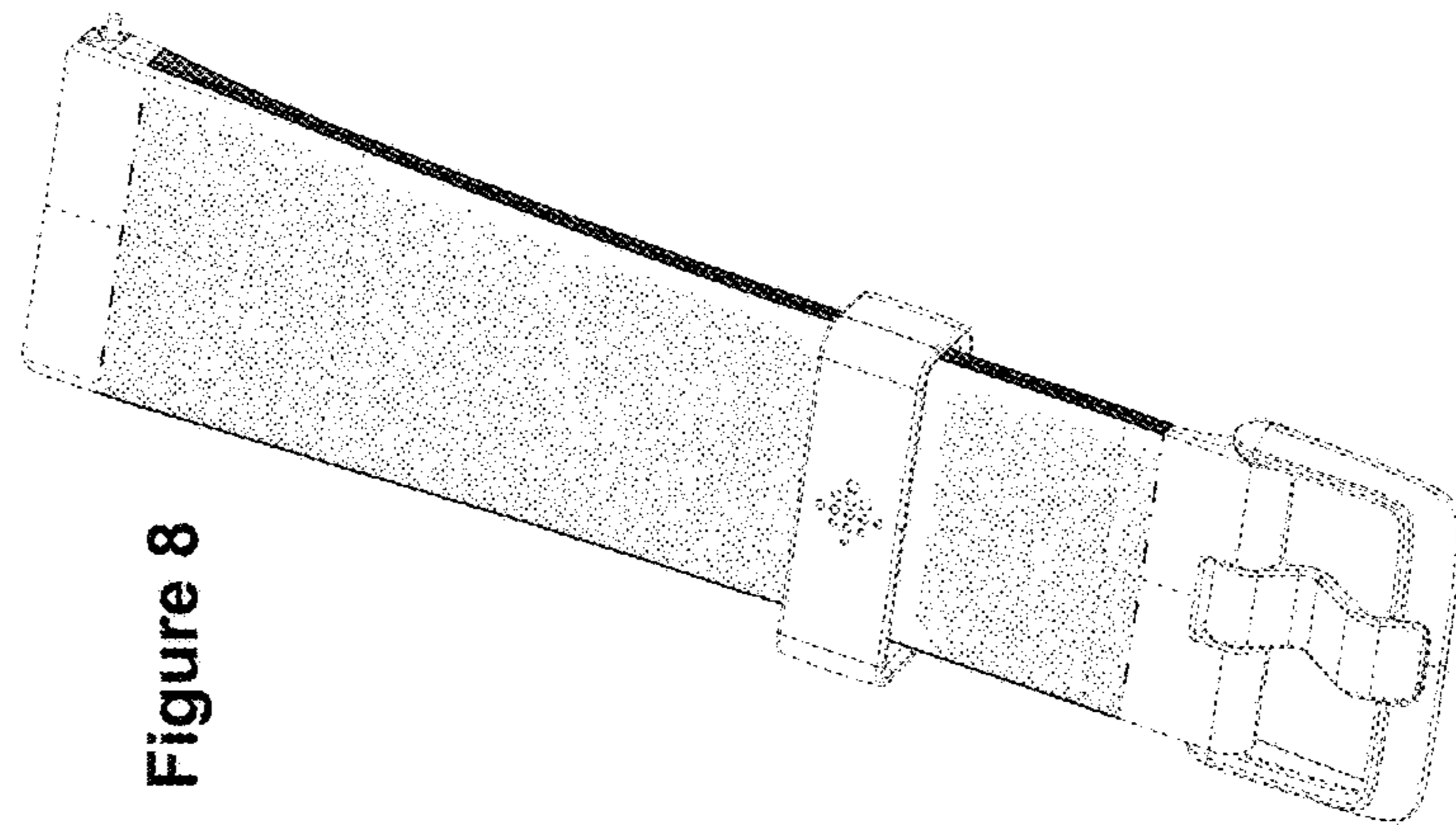


Figure 8

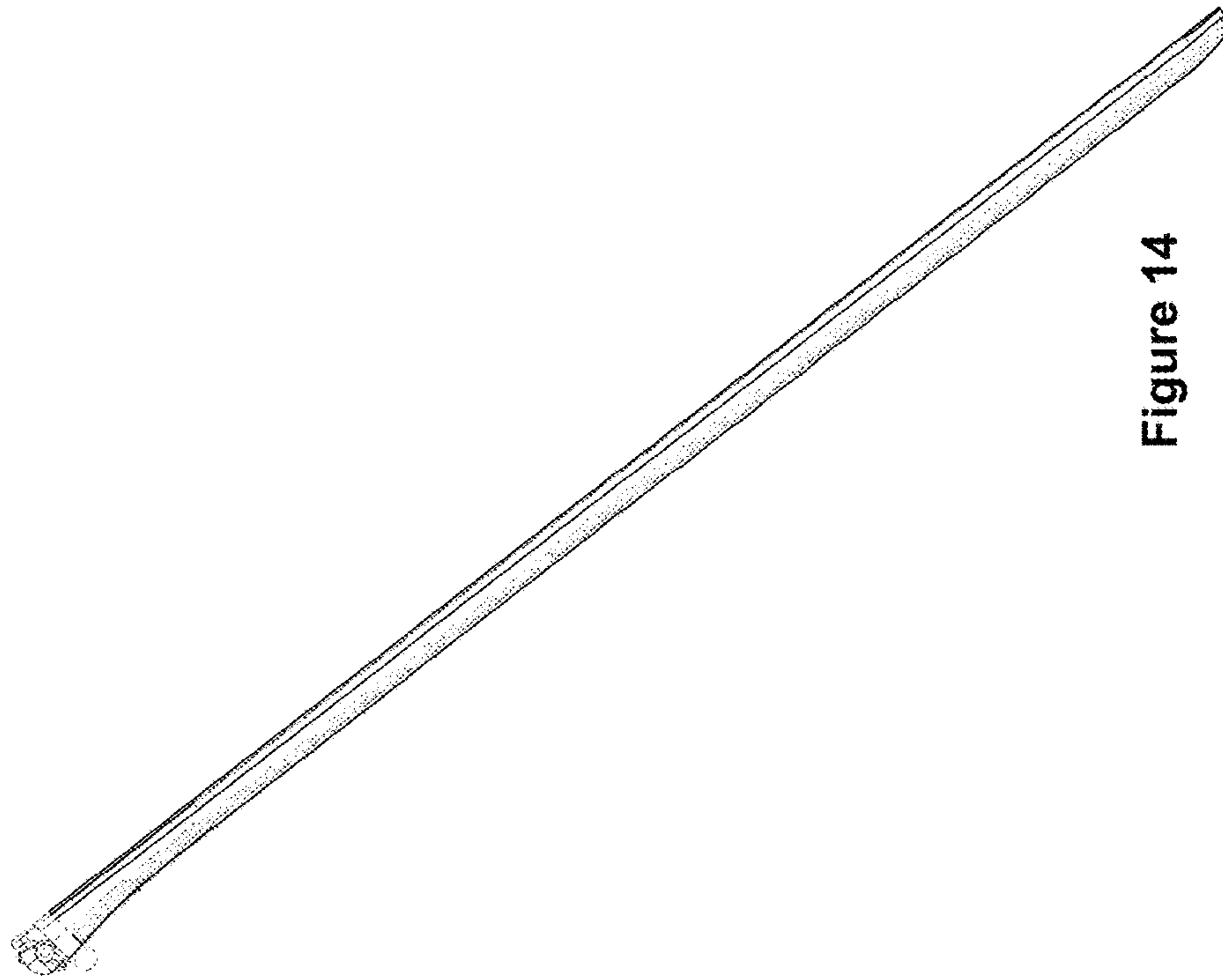


Figure 14

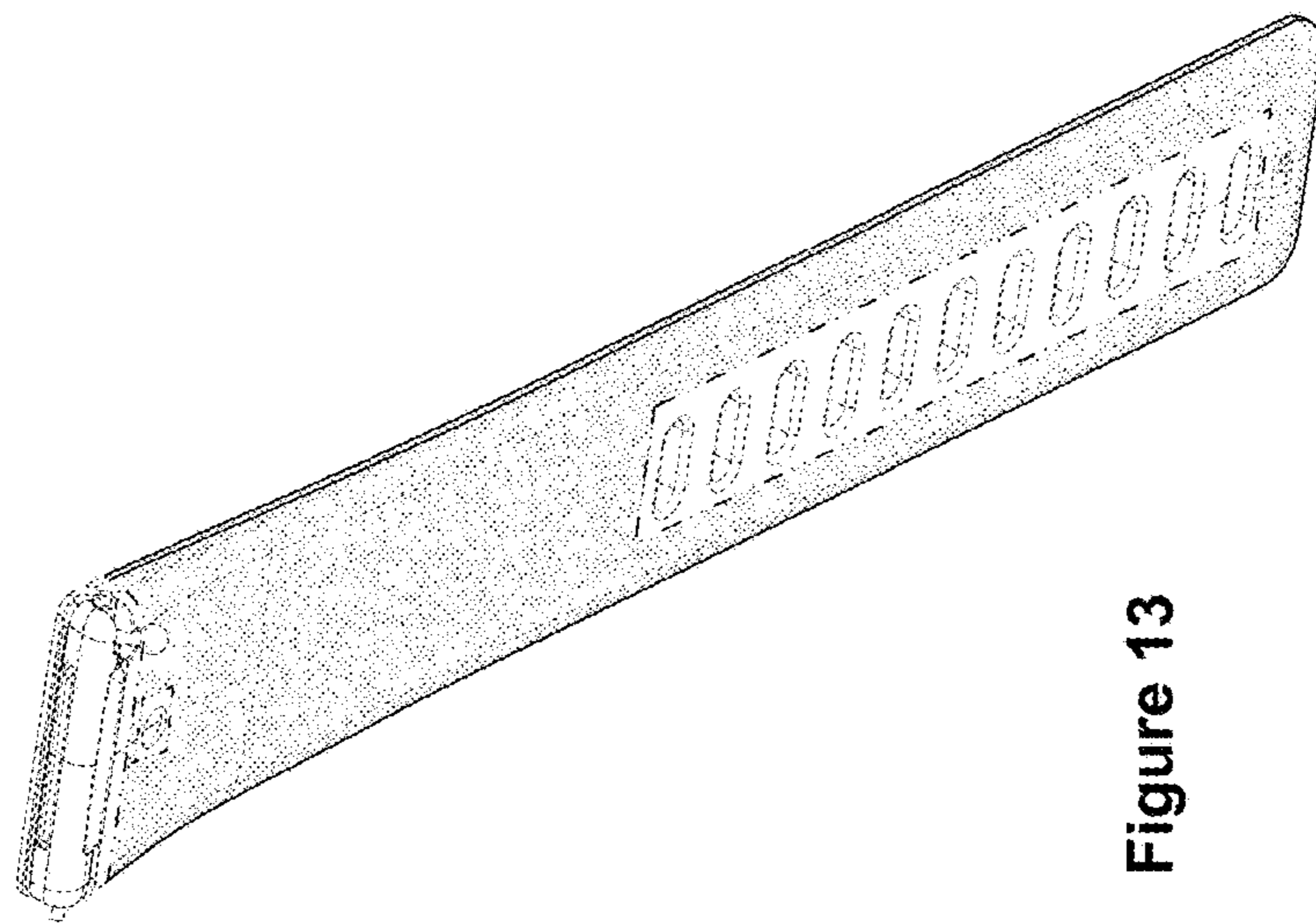


Figure 13

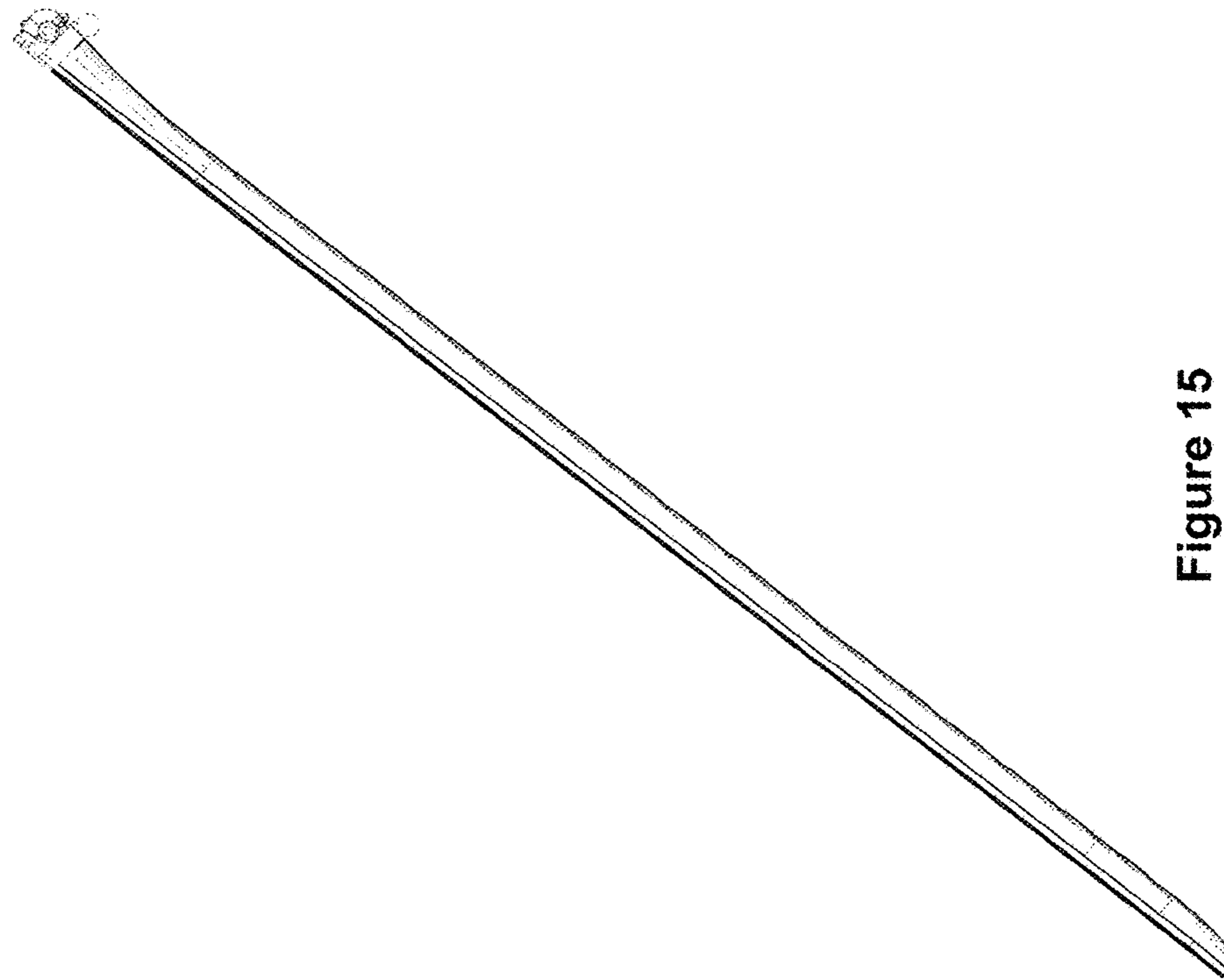


Figure 15



Figure 16

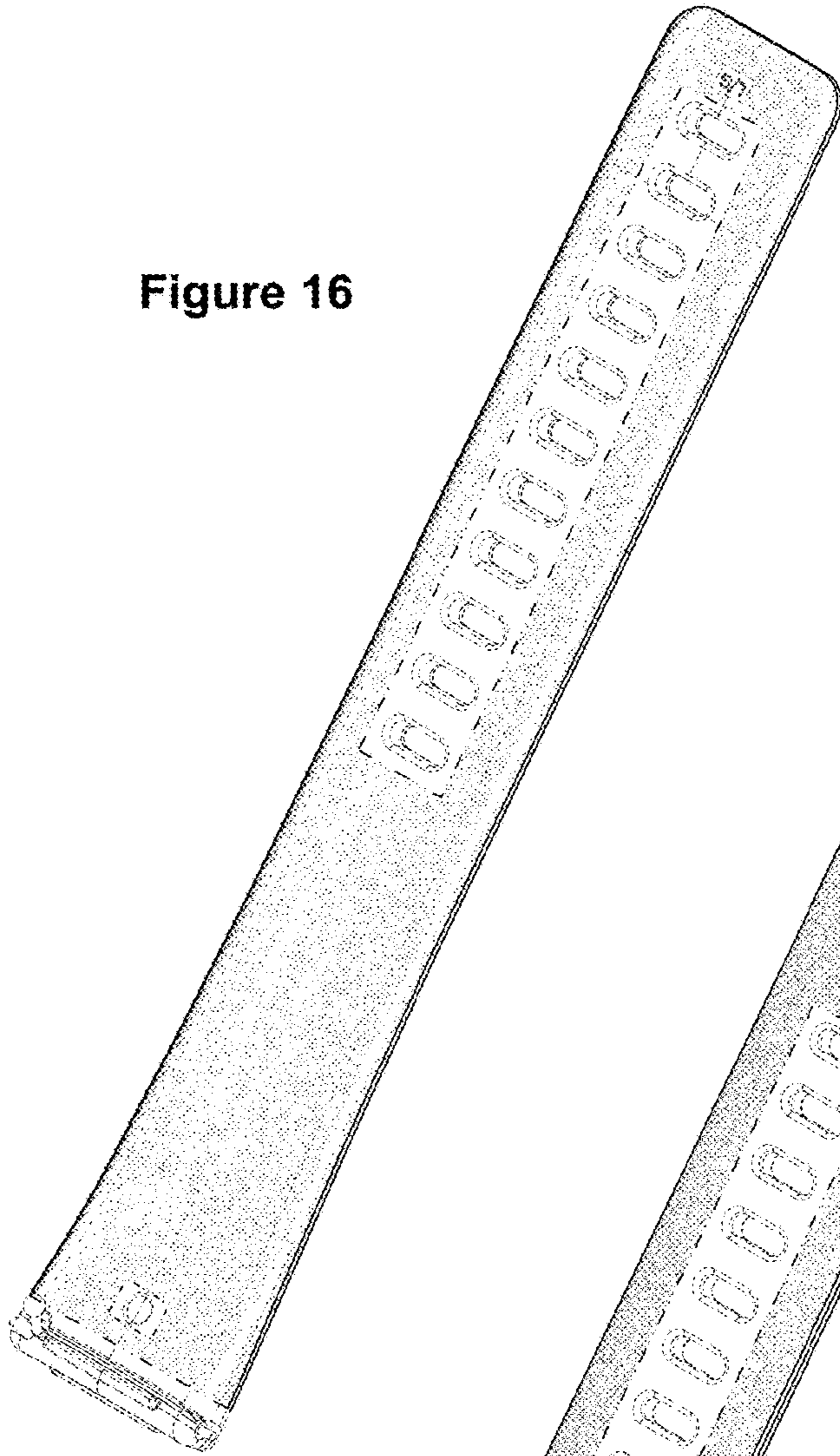


Figure 17

