



US00D842736S

(12) **United States Design Patent**  
**Laurino et al.**

(10) **Patent No.:** **US D842,736 S**  
(45) **Date of Patent:** **\*\* Mar. 12, 2019**

(54) **GAS FLOW ANALYZER**

(71) Applicant: **Fluke Corporation**, Everett, WA (US)

(72) Inventors: **Ferdinand Y. Laurino**, Seattle, WA (US); **Michael A. Schoch**, Granite Falls, WA (US)

(73) Assignee: **Fluke Corporation**, Everett, WA (US)

(\*\*) Term: **15 Years**

(21) Appl. No.: **29/627,384**

(22) Filed: **Nov. 27, 2017**

(51) **LOC (11) Cl.** ..... **10-04**

(52) **U.S. Cl.**  
USPC ..... **D10/96**; D10/78; D10/81; D24/232

(58) **Field of Classification Search**  
USPC ..... D10/78, 81, 96; D24/216, 232, 233, 234  
CPC .... A61B 5/08; A61B 5/0803; A61M 2205/70;  
A61M 2205/702; A61M 2205/705; A61M 2205/707; G01N 27/624; G01F 25/00;  
G01F 25/0007; G01F 25/0053; G01F 25/0019; G01F 25/0023; G01F 25/003;  
G01F 25/0038; G01F 25/0046; G01F 25/0061; G01F 25/0069; G01F 25/0076;  
G01F 25/0084; G01F 25/0092  
See application file for complete search history.

(56) **References Cited**

**U.S. PATENT DOCUMENTS**

D371,198 S *	6/1996	Savage	.....	D24/232
6,771,172 B1 *	8/2004	Robinson	.....	A61B 5/0002
				16/110.1
D502,655 S *	3/2005	Huang	.....	D10/81
D752,460 S *	3/2016	Gnauck	.....	D10/78
9,649,482 B2 *	5/2017	Roberts	.....	A61K 31/70

\* cited by examiner

*Primary Examiner* — Antoine Duval Davis

(74) *Attorney, Agent, or Firm* — Seed Intellectual Property Law Group LLP

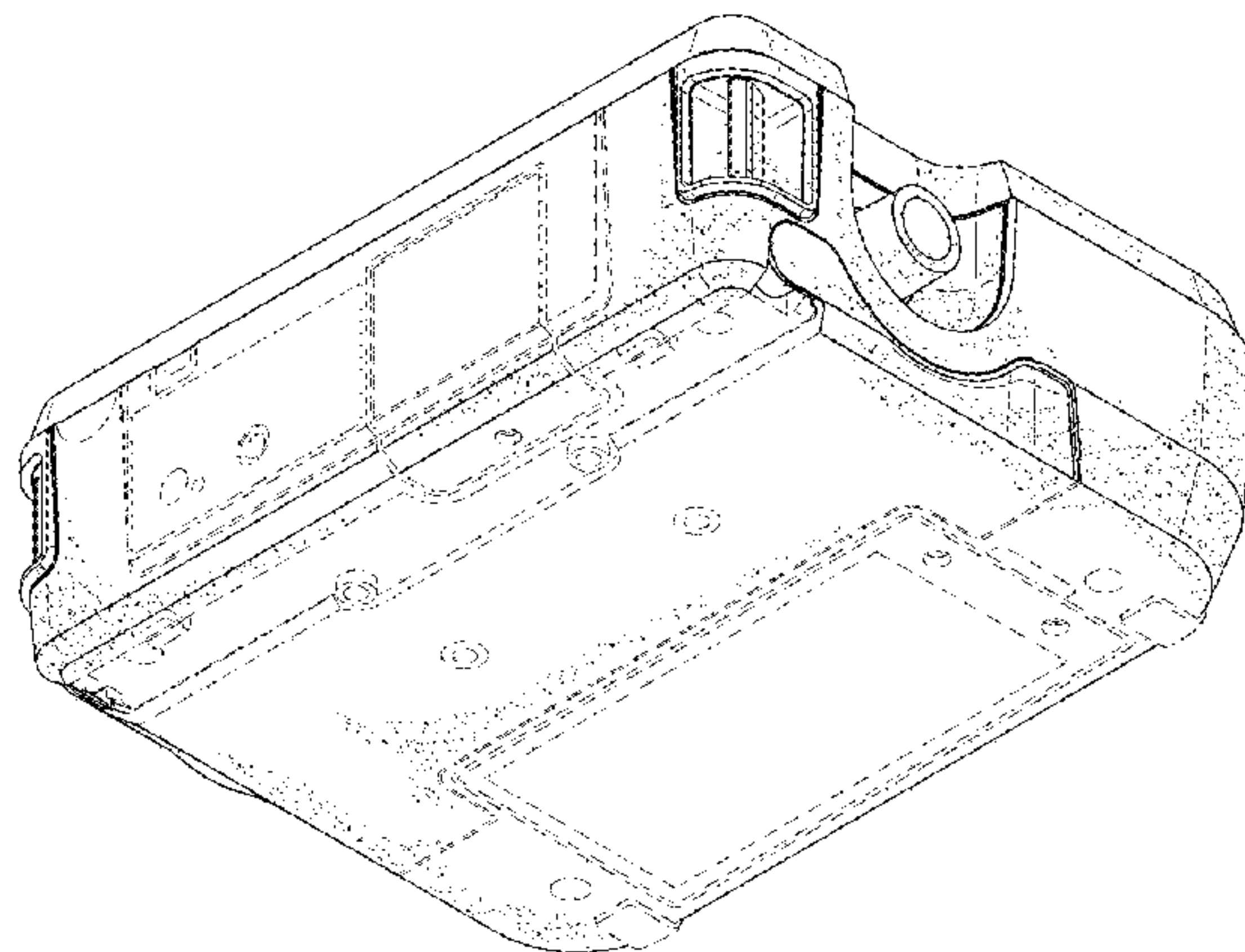
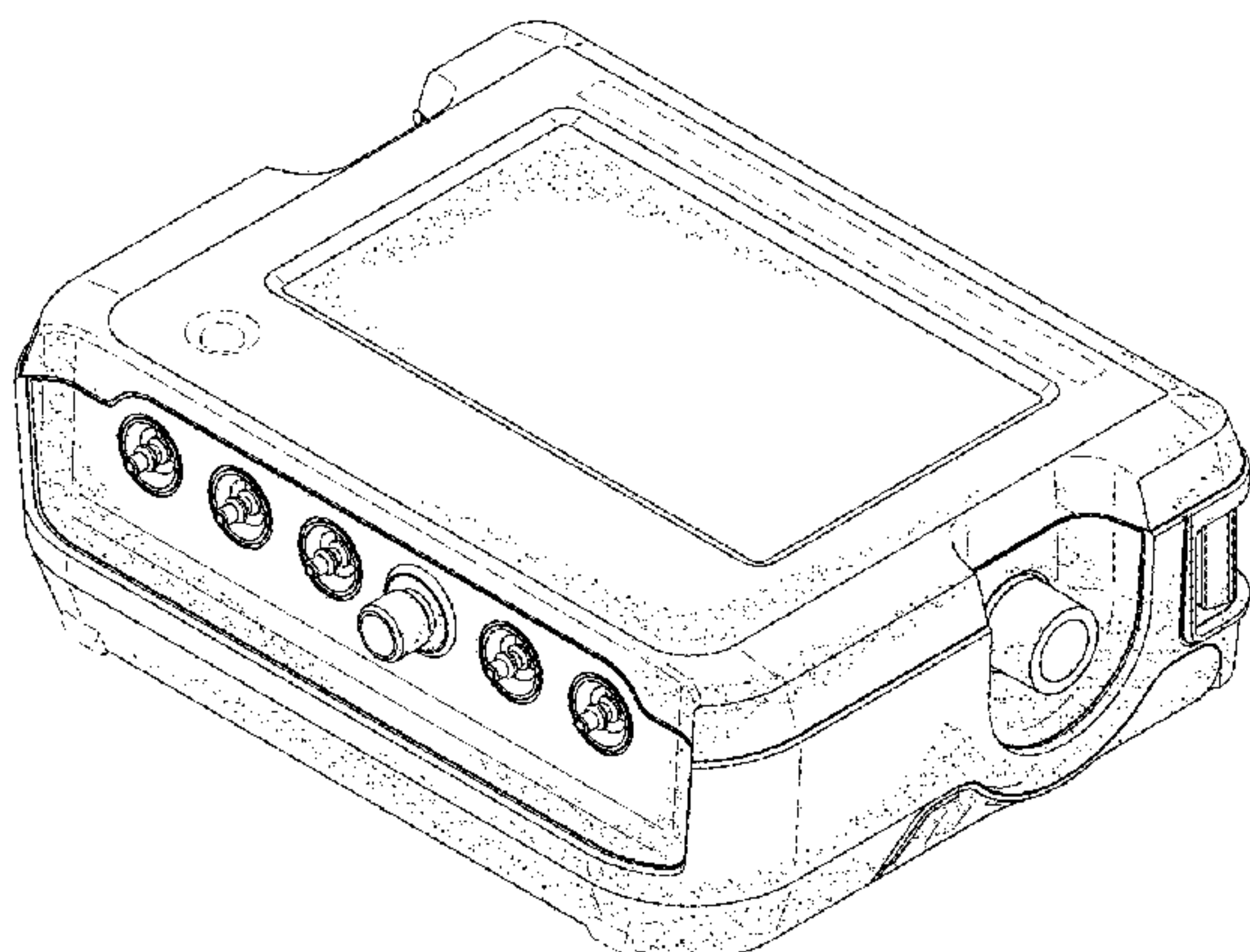
(57) **CLAIM**

The ornamental design for a gas flow analyzer, as shown and described.

**DESCRIPTION**

FIG. 1 is a top, front right perspective view of a gas flow analyzer showing our new design.  
 FIG. 2 is a bottom, rear left perspective view thereof.  
 FIG. 3 is a top plan view thereof.  
 FIG. 4 is a left side elevation view thereof.  
 FIG. 5 is a right side elevation view thereof.  
 FIG. 6 is a front elevation view thereof.  
 FIG. 7 is a rear elevation view thereof.  
 FIG. 8 is a bottom plan view thereof.  
 FIG. 9 is a top, front right perspective view of another embodiment of a gas flow analyzer showing our new design.  
 FIG. 10 is a bottom, rear left perspective view thereof.  
 FIG. 11 is a top plan view thereof.  
 FIG. 12 is a left side elevation view thereof.  
 FIG. 13 is a right side elevation view thereof.  
 FIG. 14 is a front elevation view thereof.  
 FIG. 15 is a rear elevation view thereof.  
 FIG. 16 is a bottom plan view thereof.  
 FIG. 17 is a top, front right perspective view of another embodiment of a gas flow analyzer showing our new design.  
 FIG. 18 is a bottom, rear left perspective view thereof.  
 FIG. 19 is a top plan view thereof.  
 FIG. 20 is a left side elevation view thereof.  
 FIG. 21 is a right side elevation view thereof.  
 FIG. 22 is a front elevation view thereof.  
 FIG. 23 is a rear elevation view thereof; and,  
 FIG. 24 is a bottom plan view thereof.  
 The broken lines in the figures illustrate environment only and form no part of the claimed design.

**1 Claim, 24 Drawing Sheets**



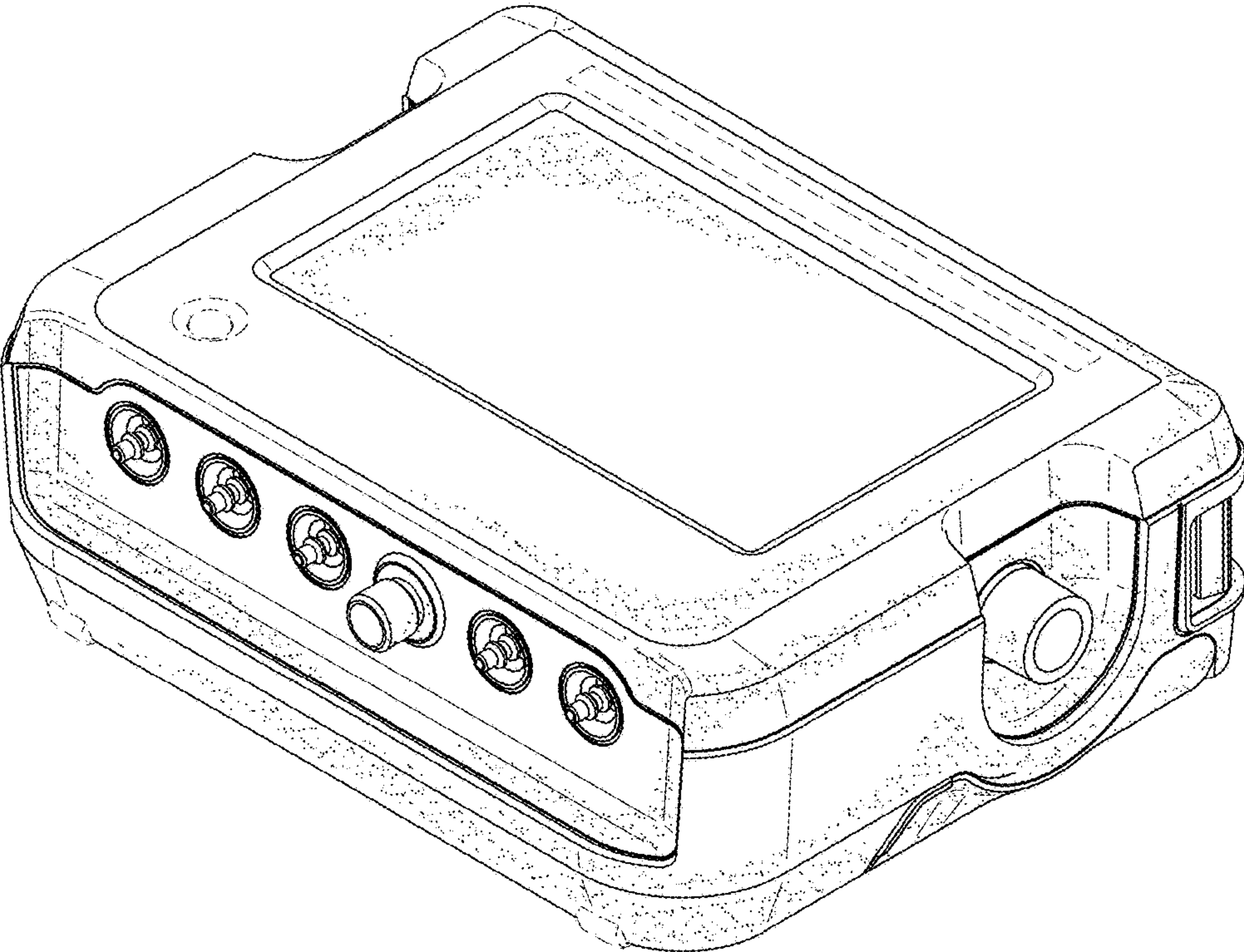


FIG. 1

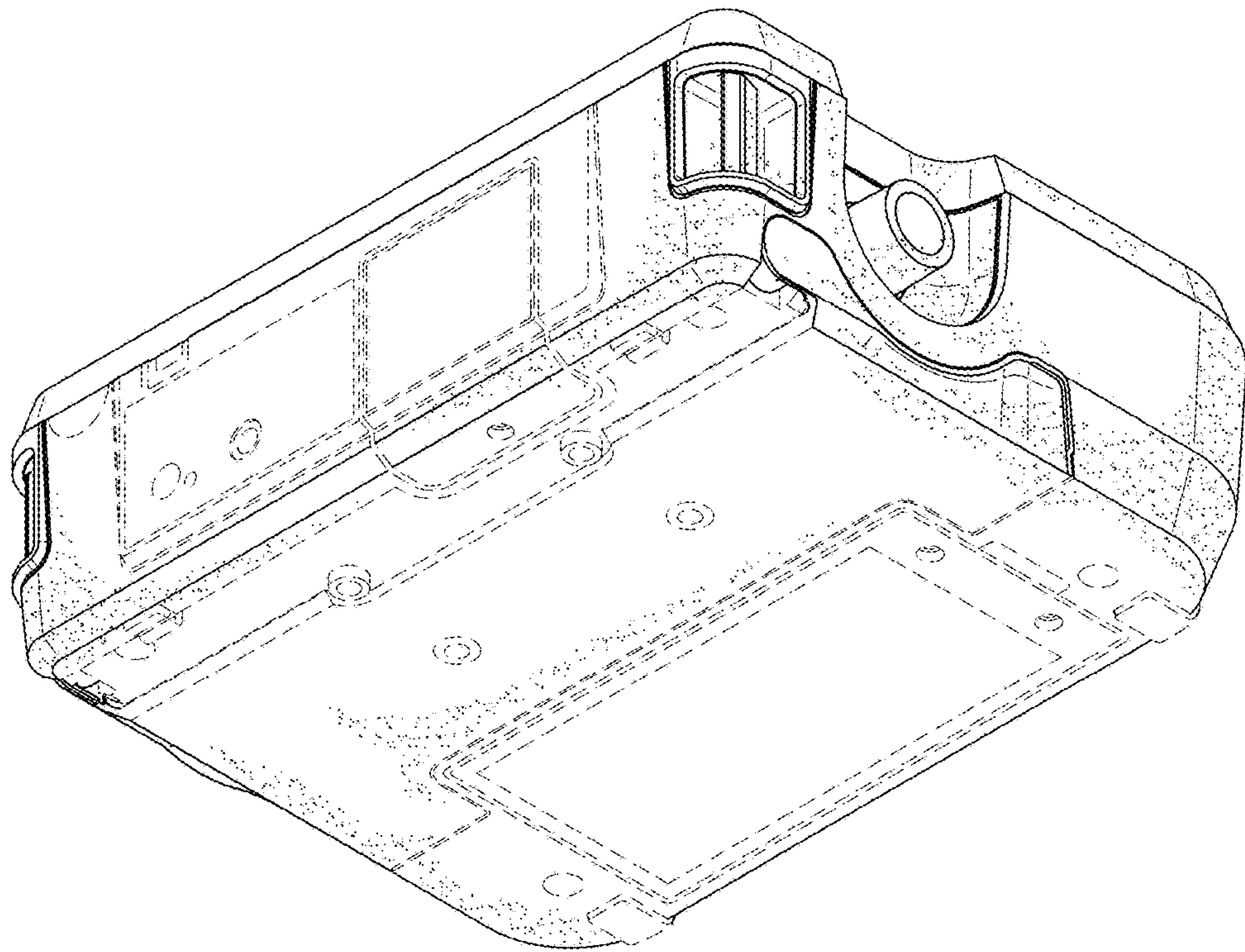


FIG. 2



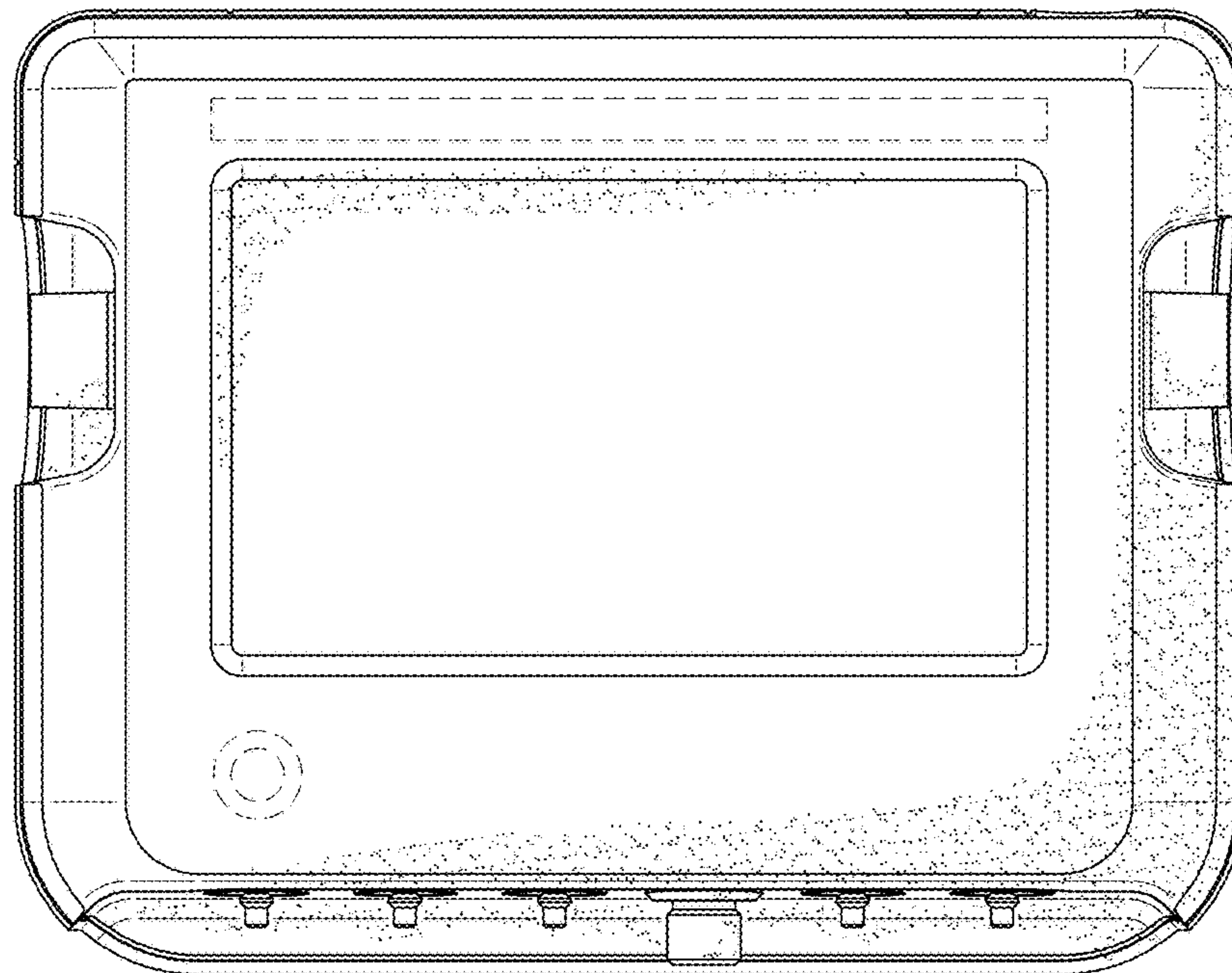


FIG. 3

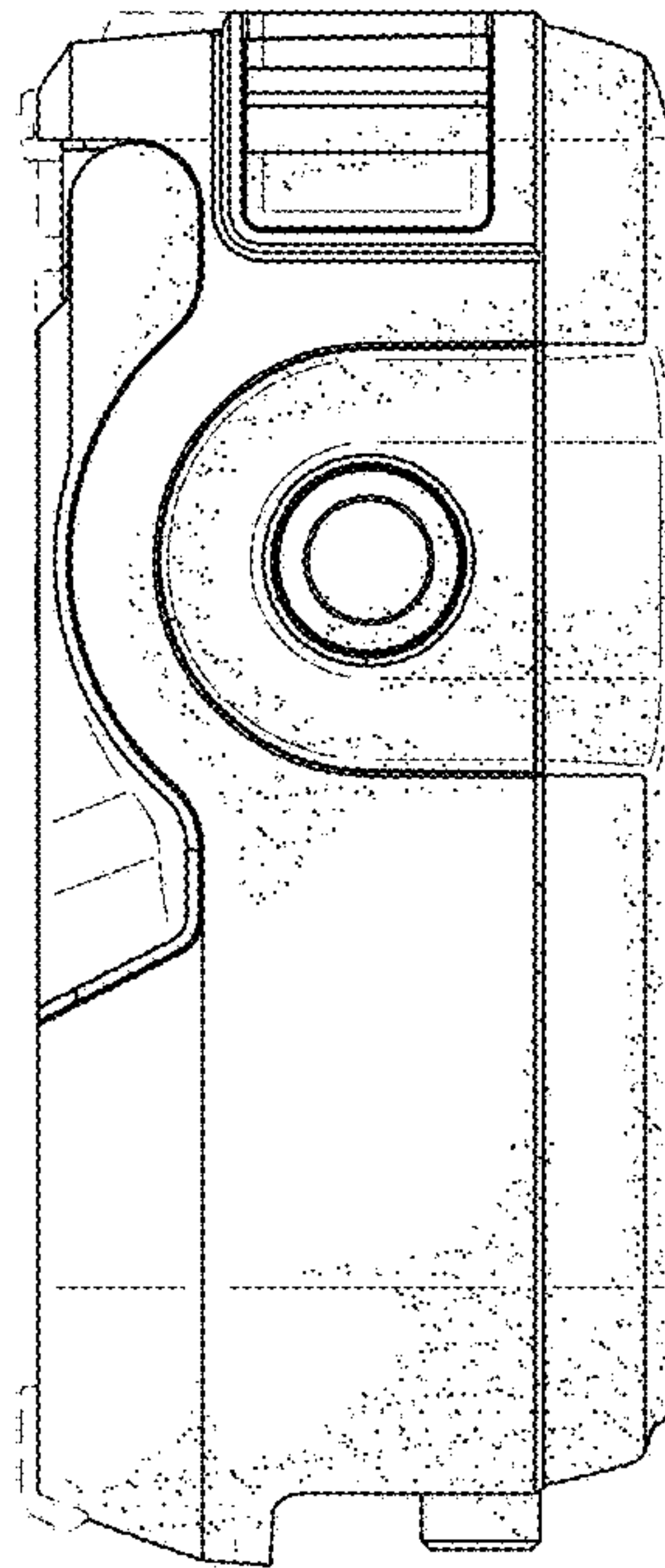


FIG. 4

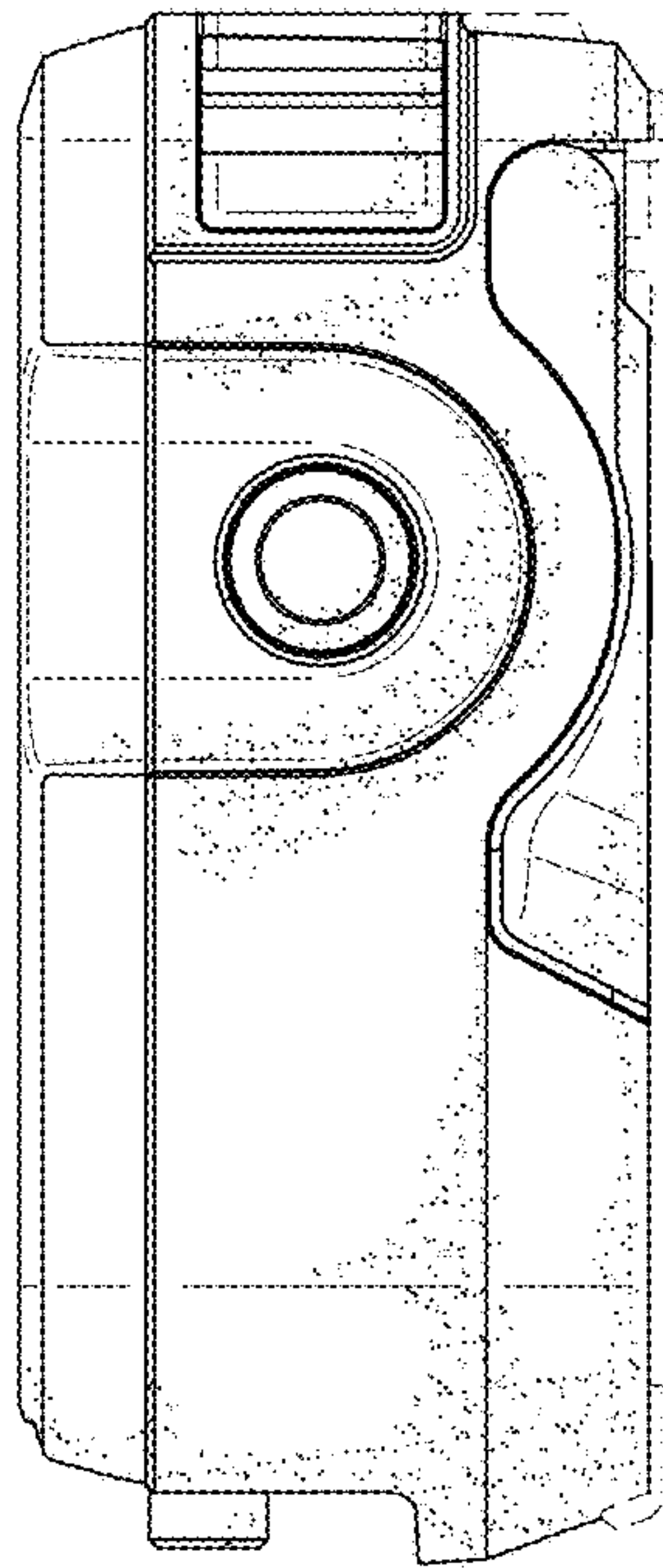


FIG. 5

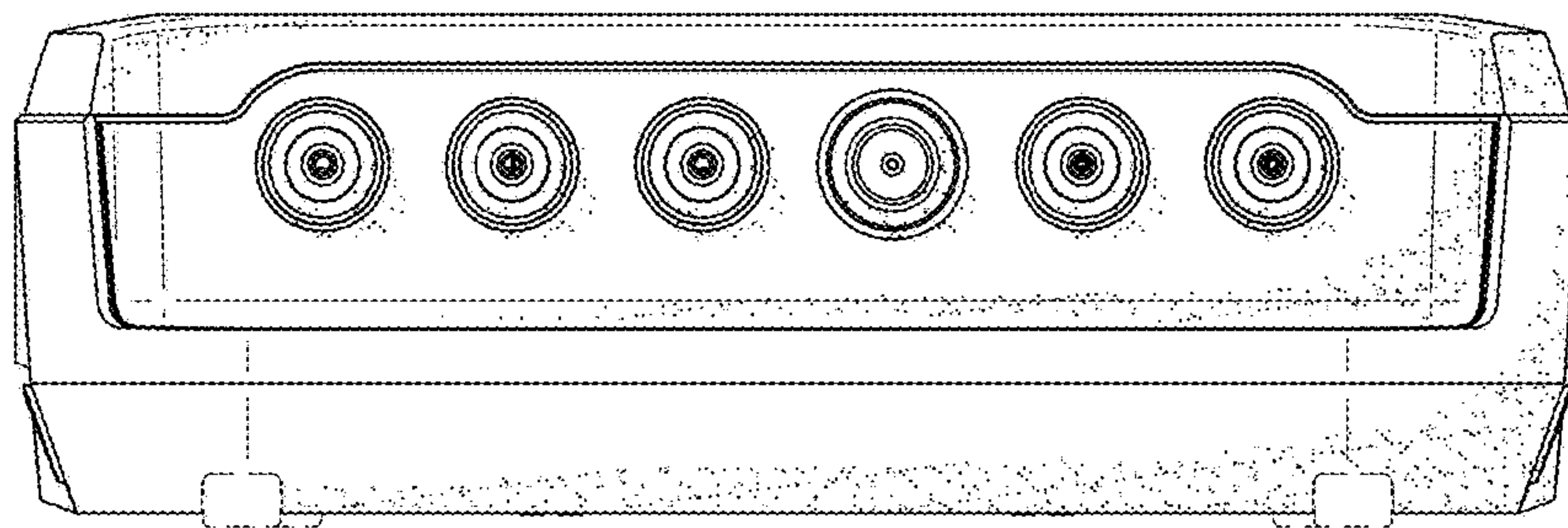


FIG. 6

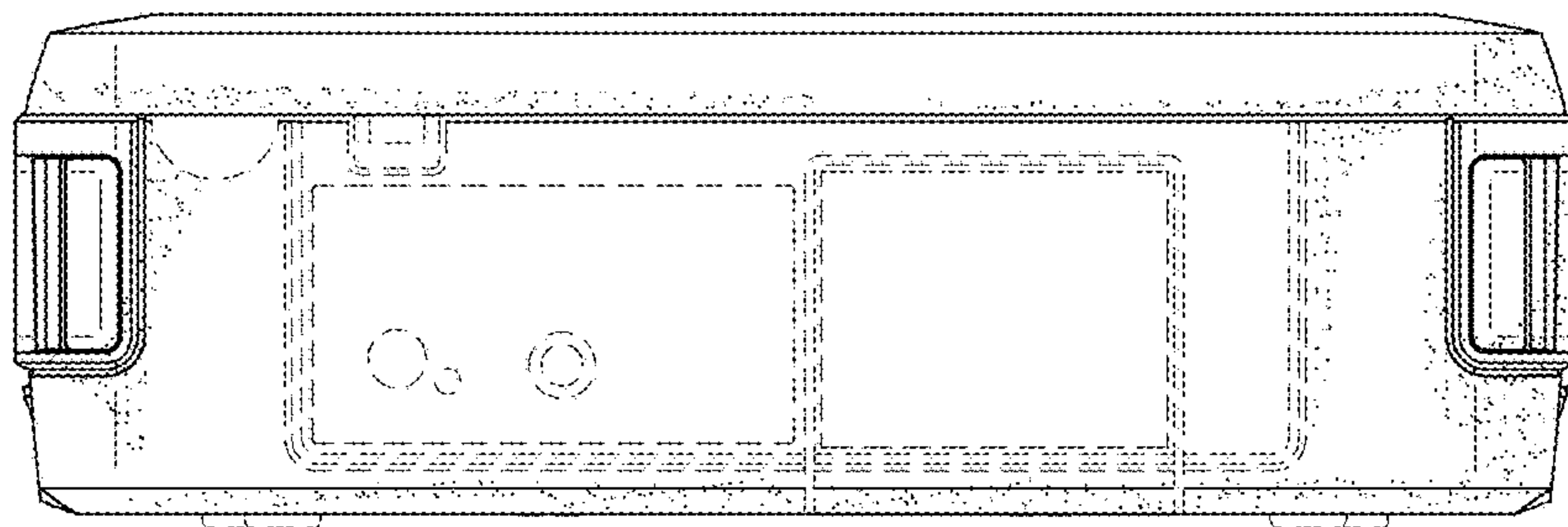


FIG. 7



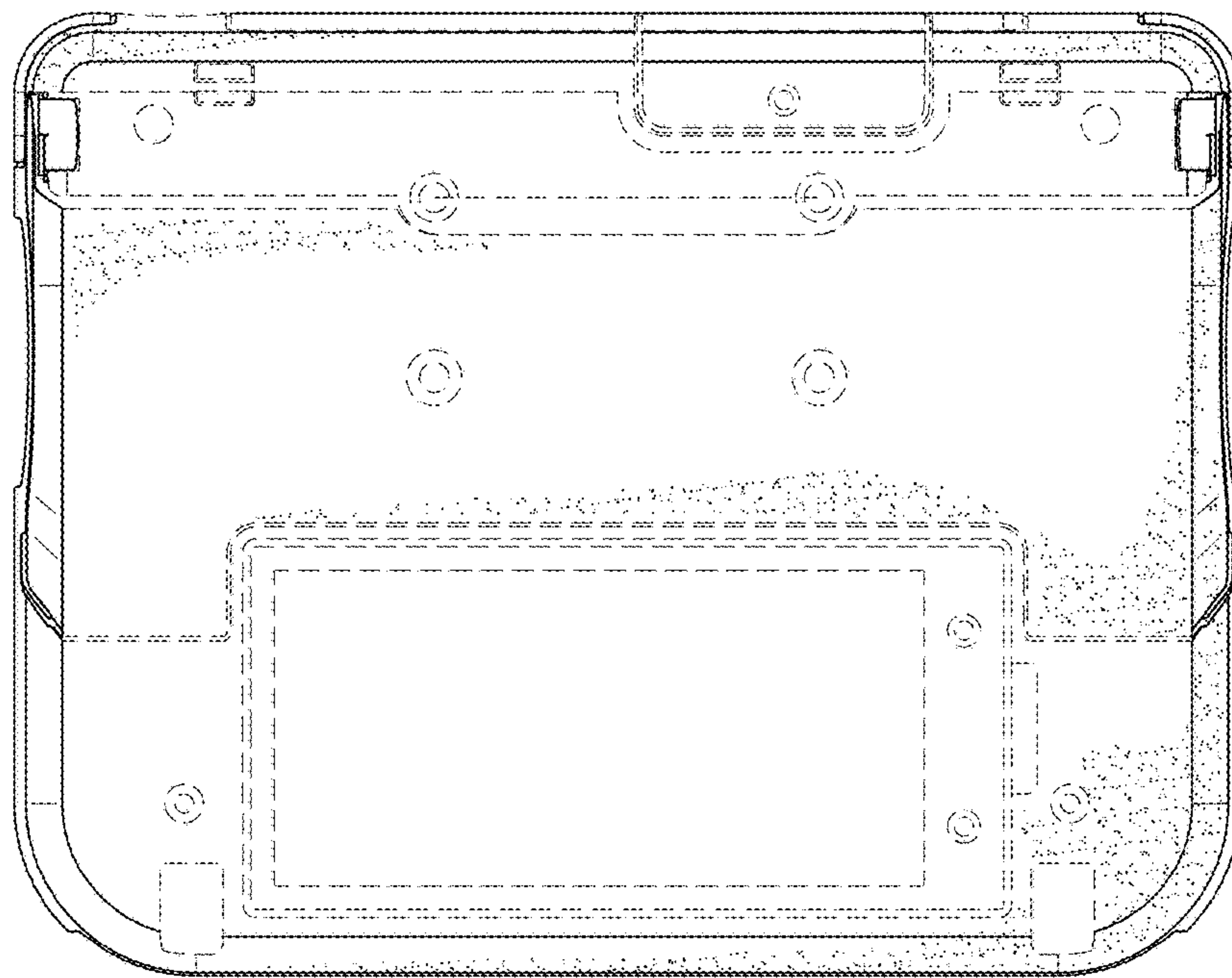


FIG. 8

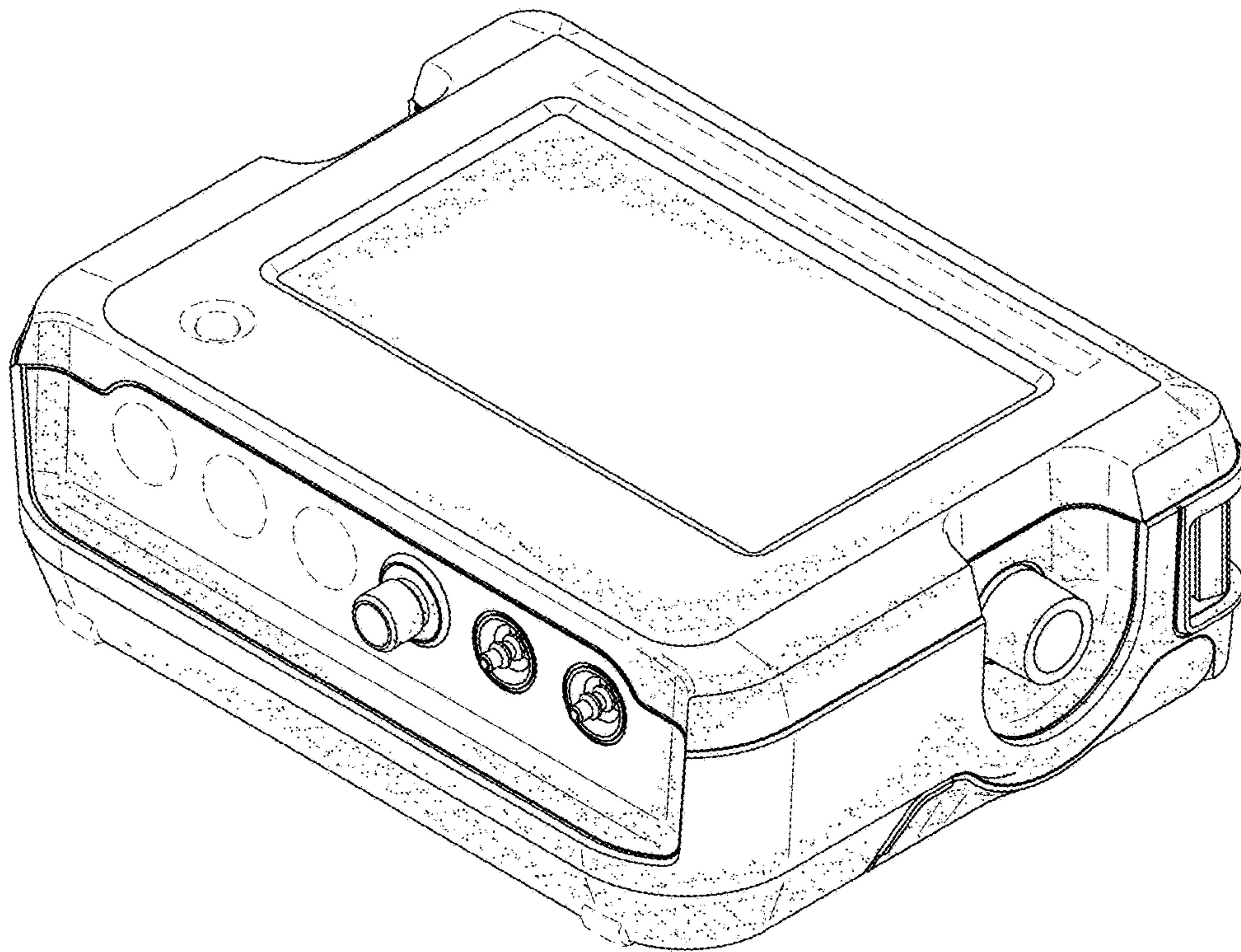


FIG. 9

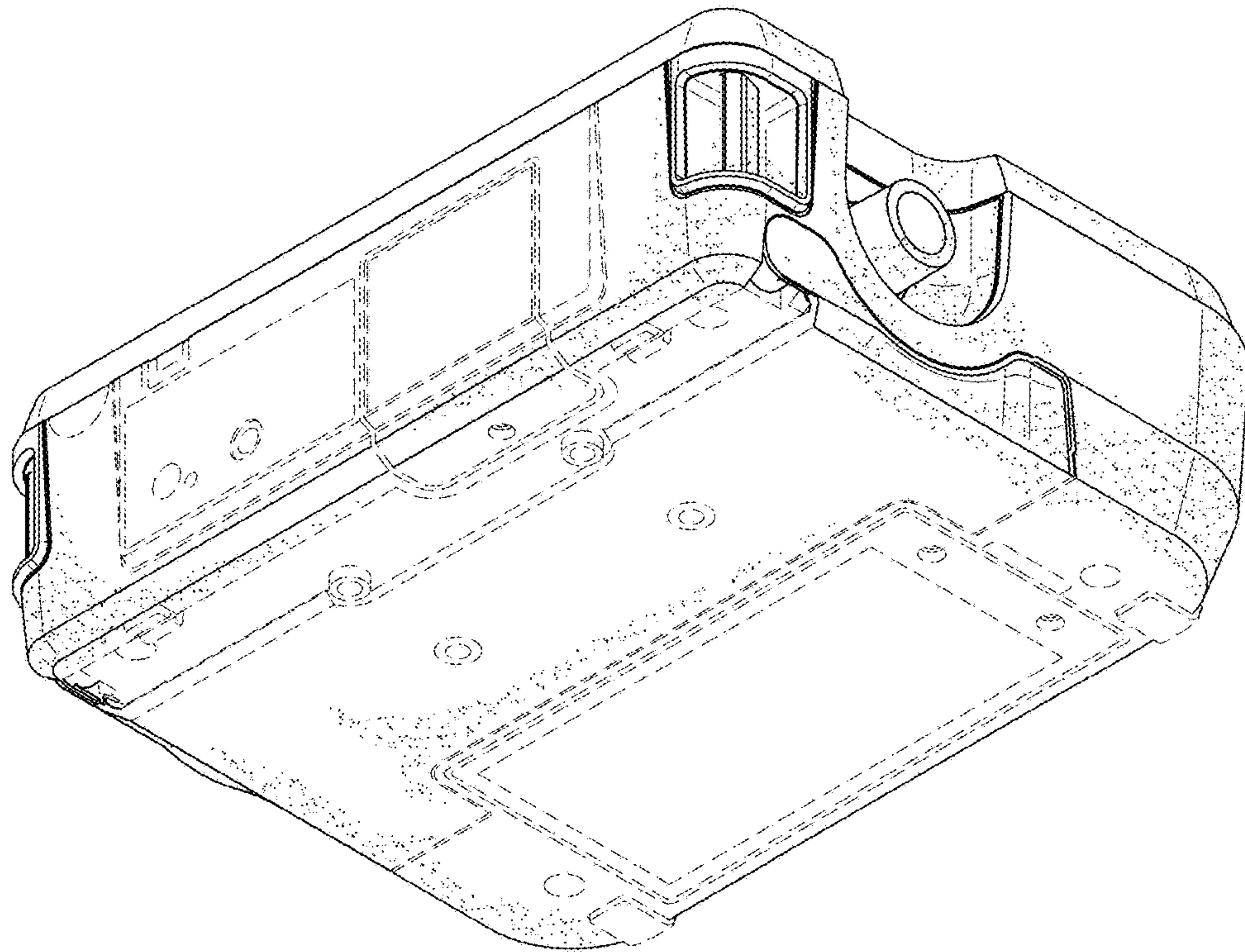


FIG. 10

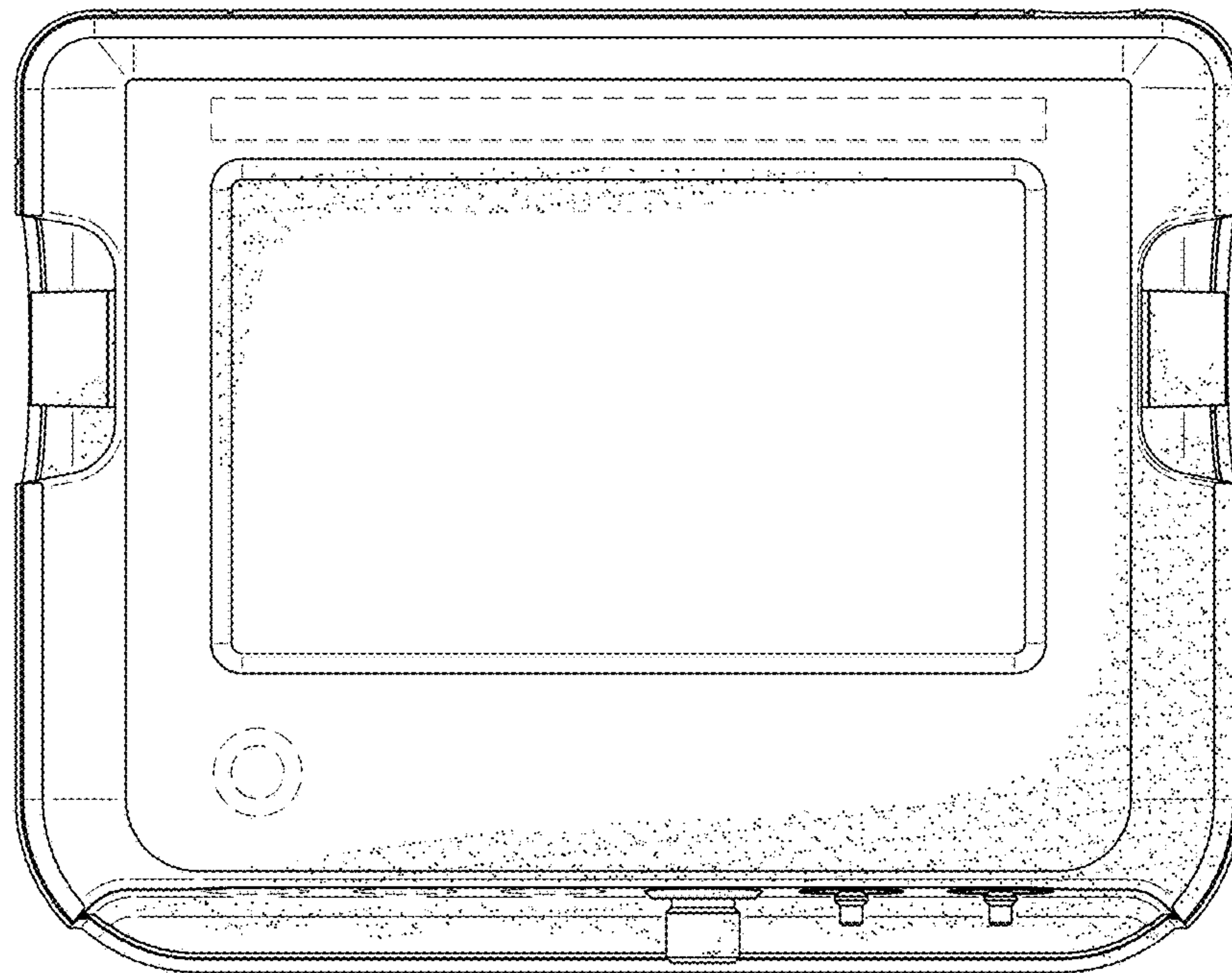


FIG. 11

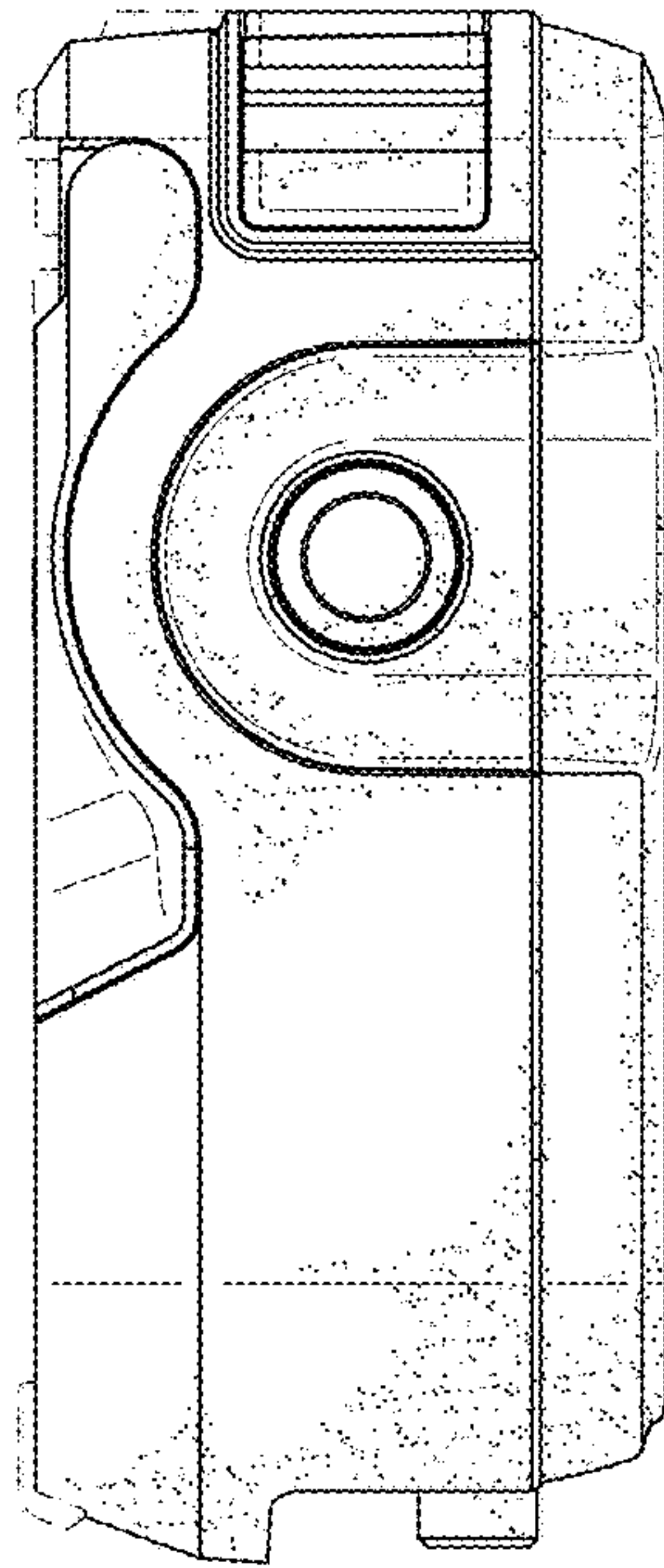


FIG. 12



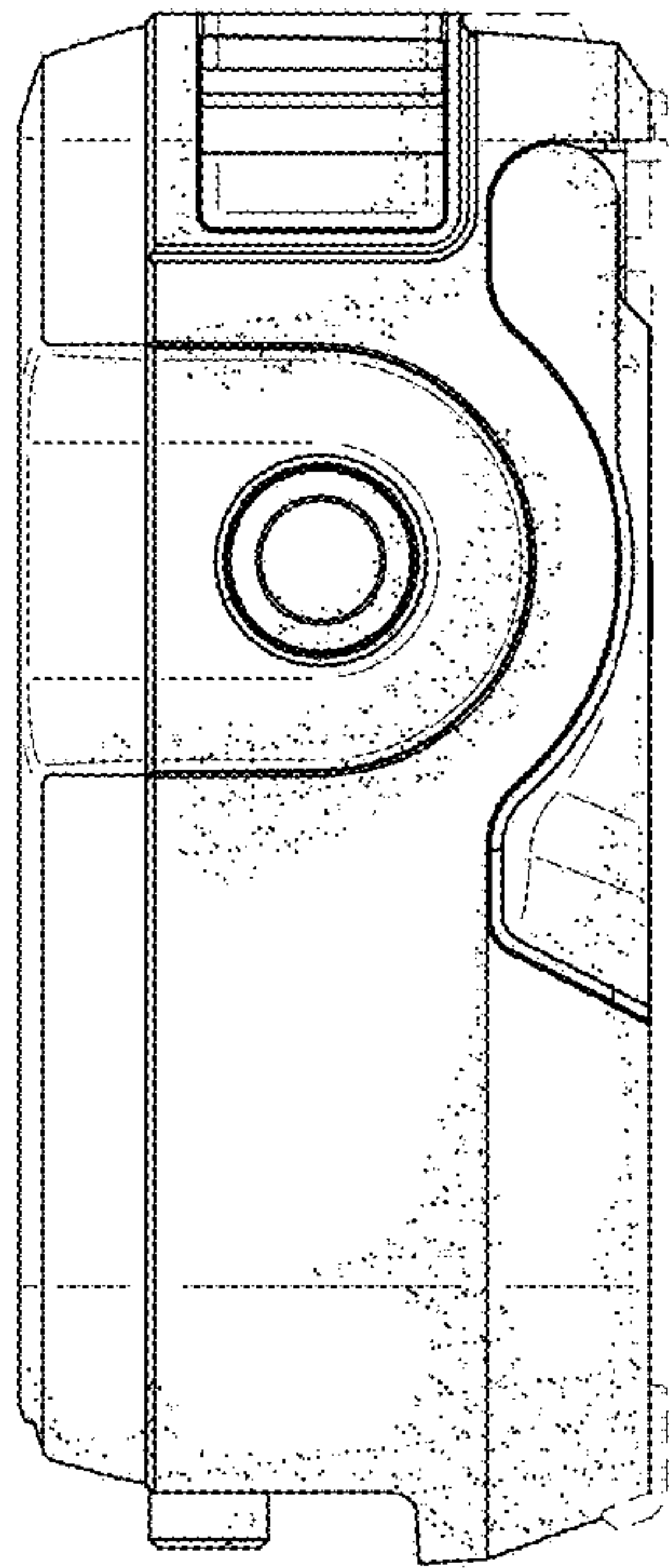


FIG. 13

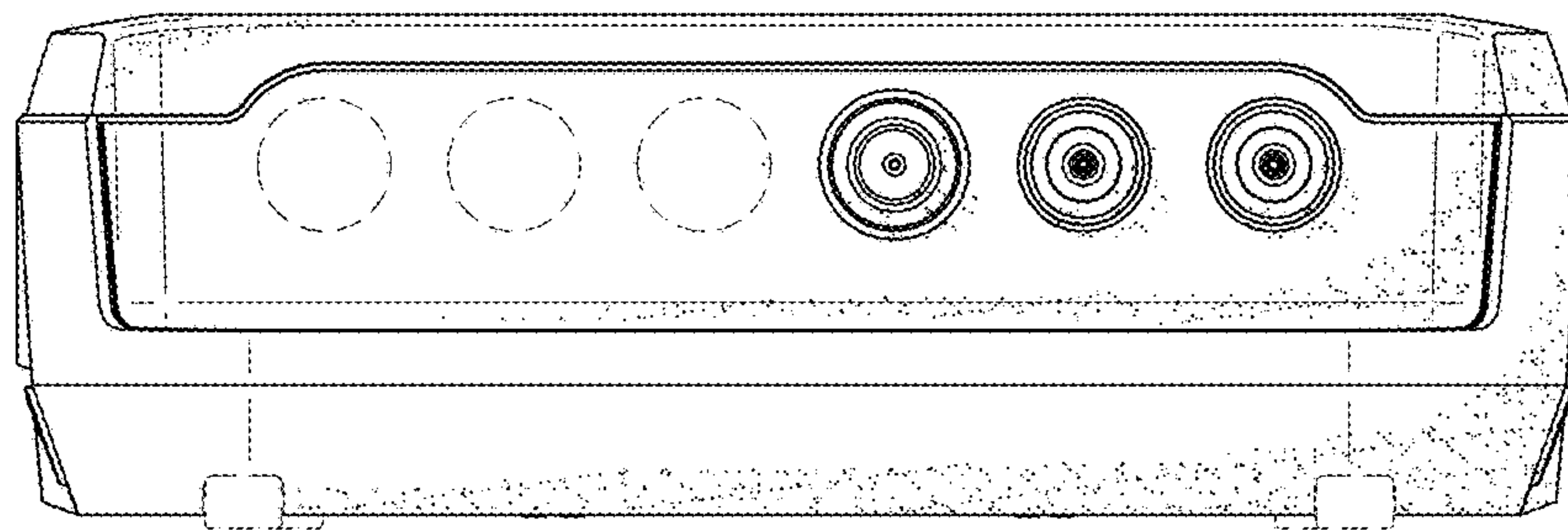


FIG. 14

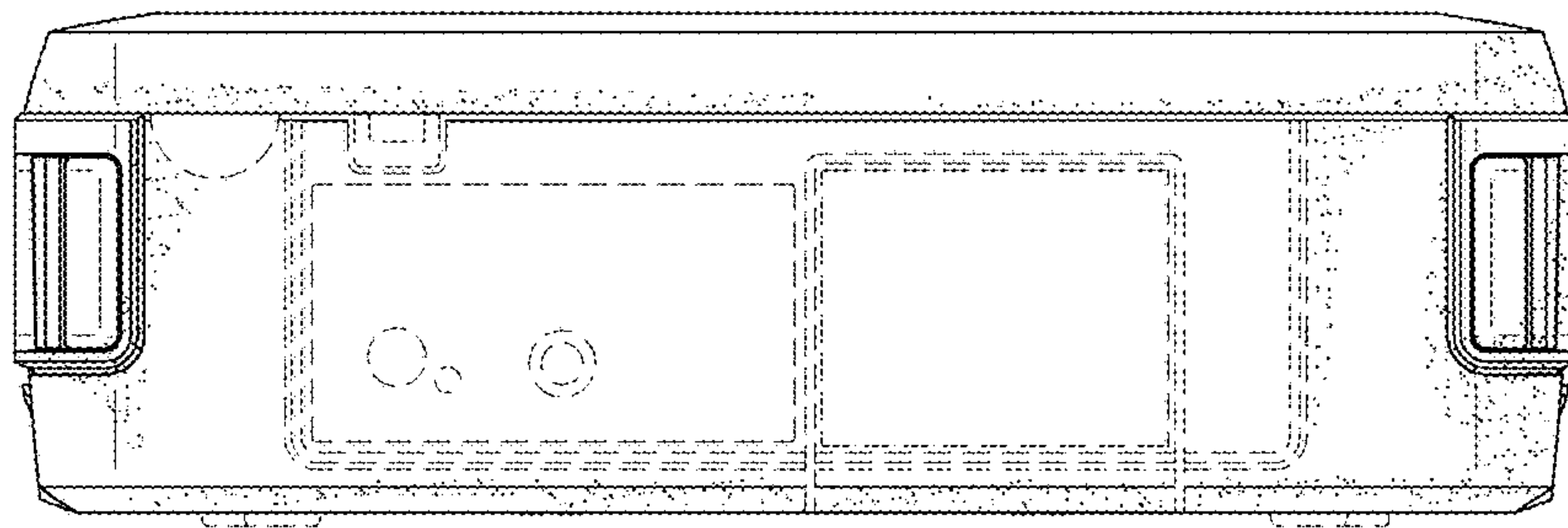


FIG. 15

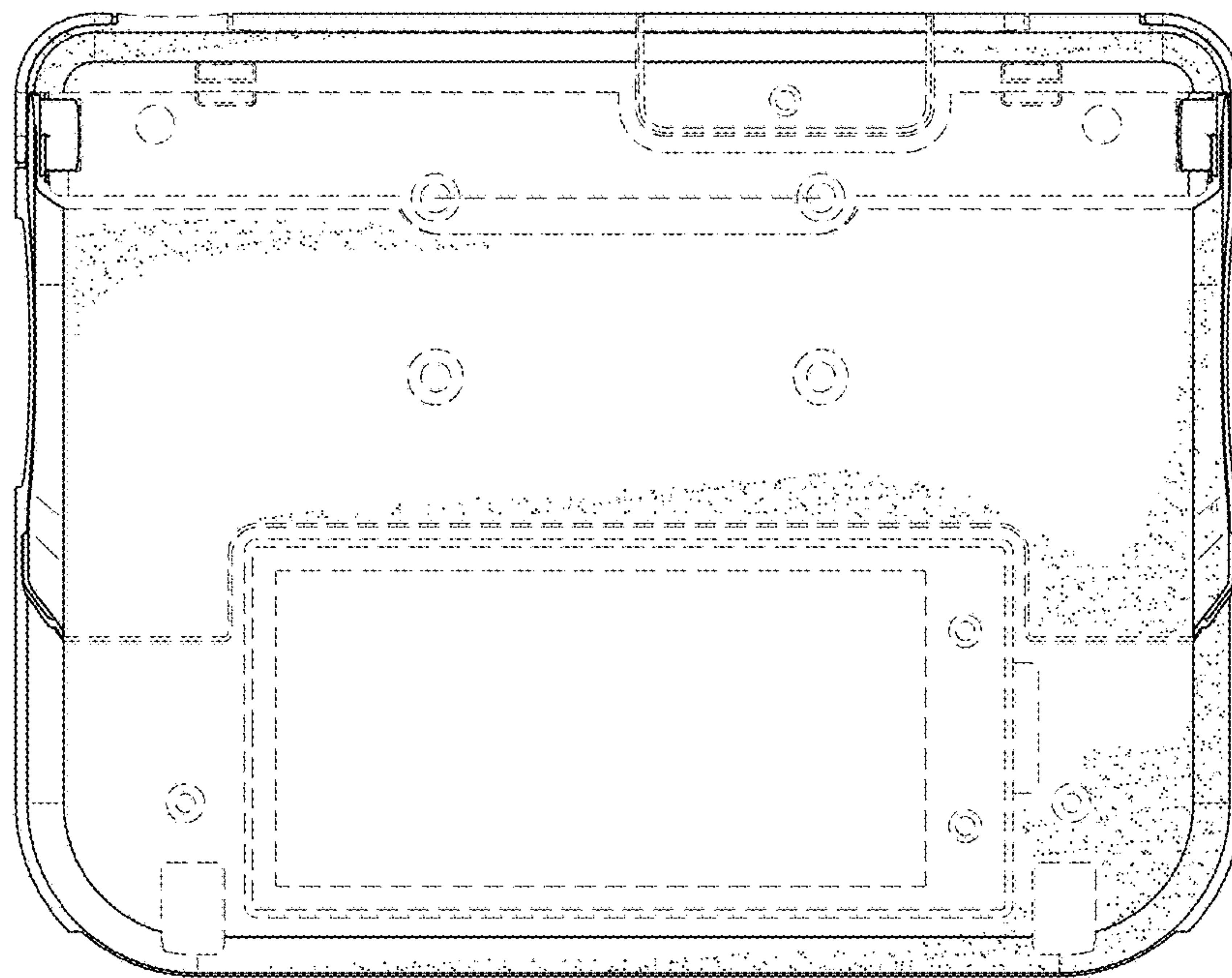


FIG. 16

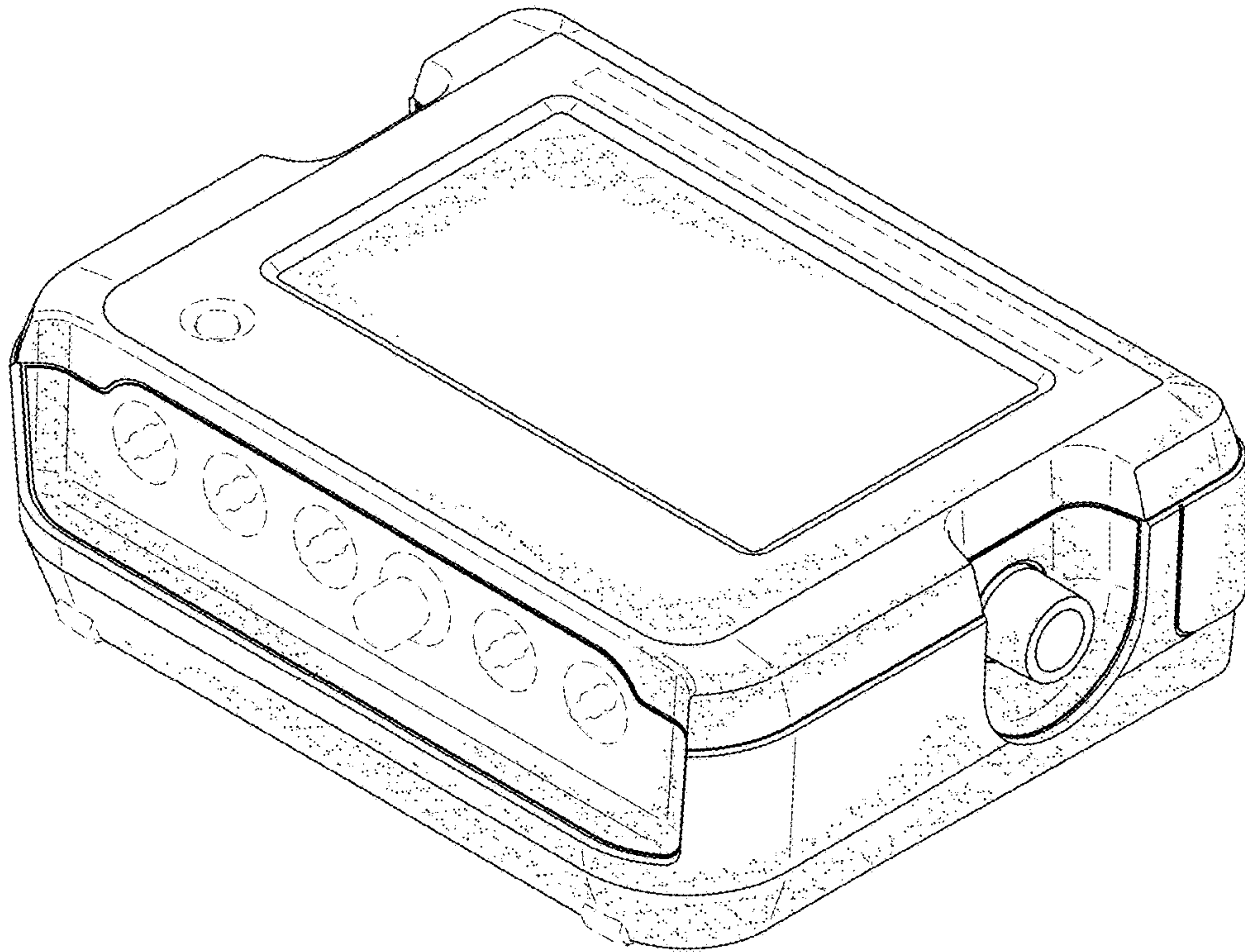


FIG. 17



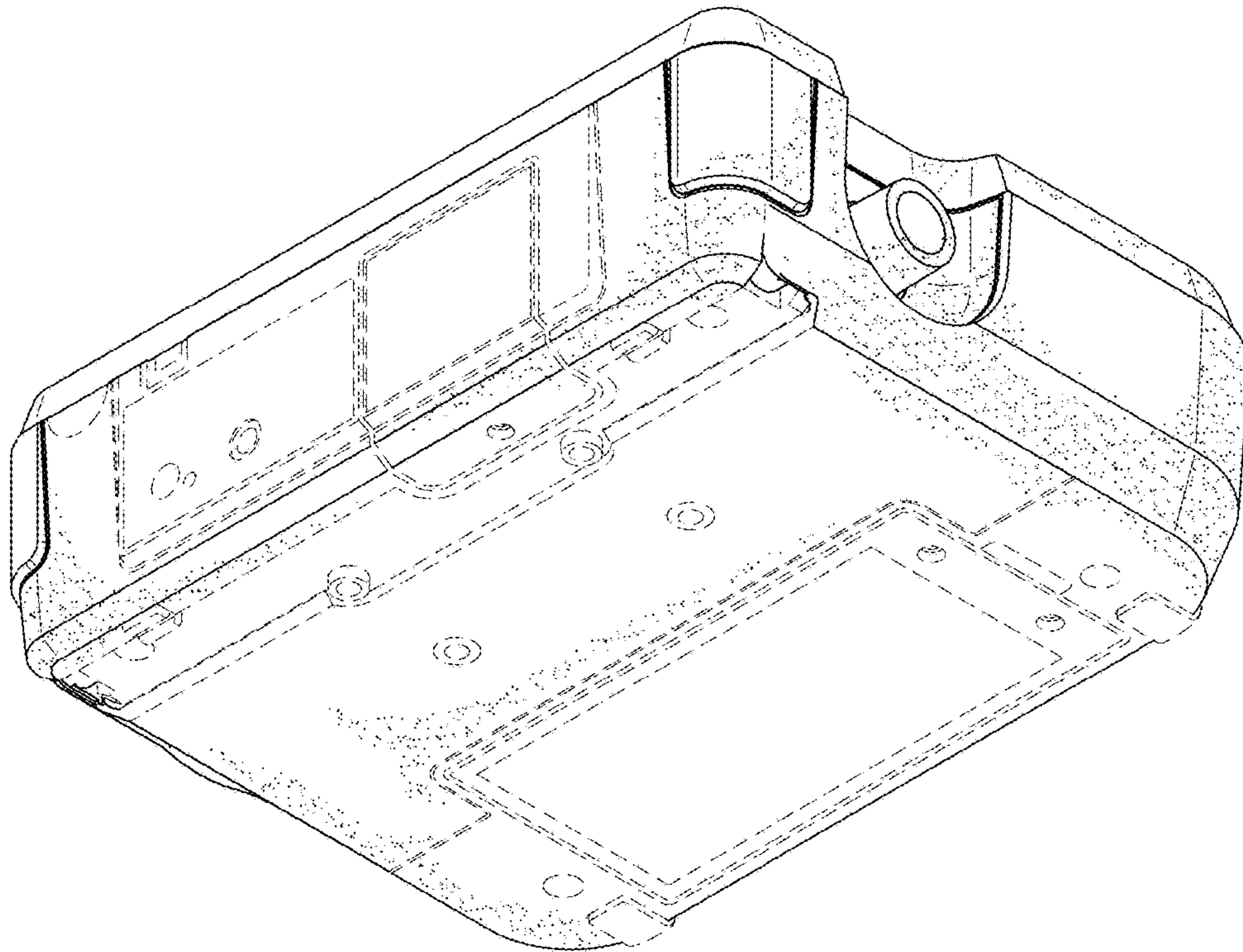


FIG. 18

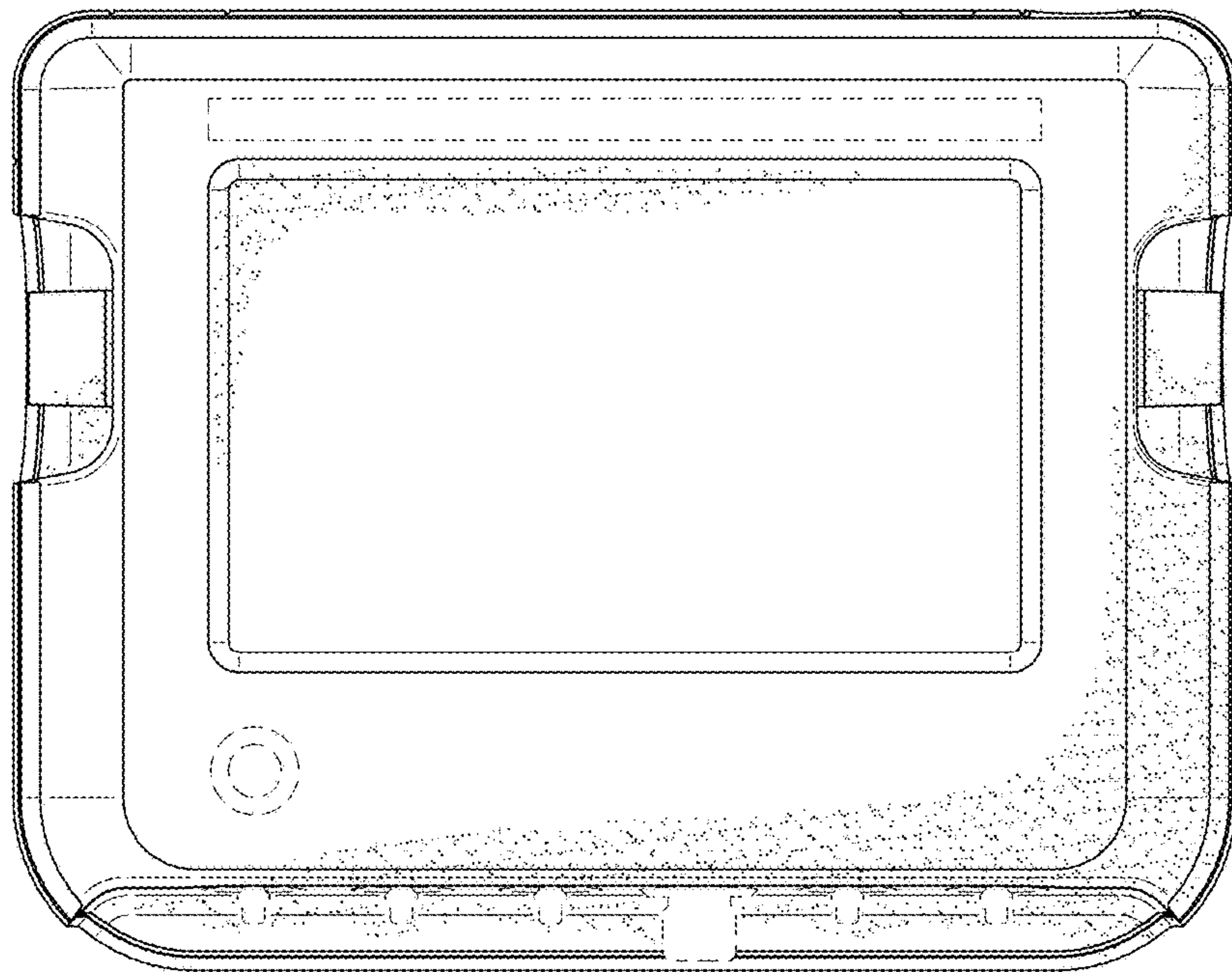


FIG. 19

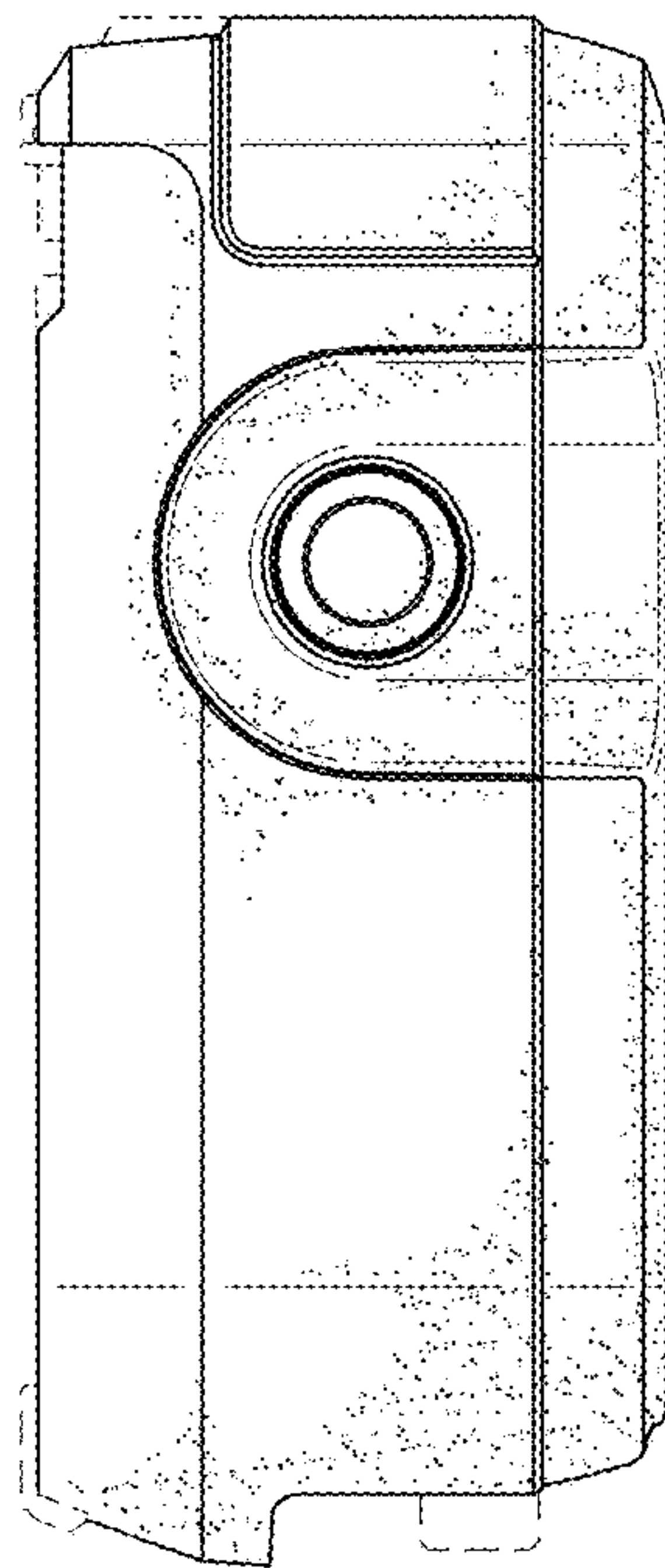


FIG. 20

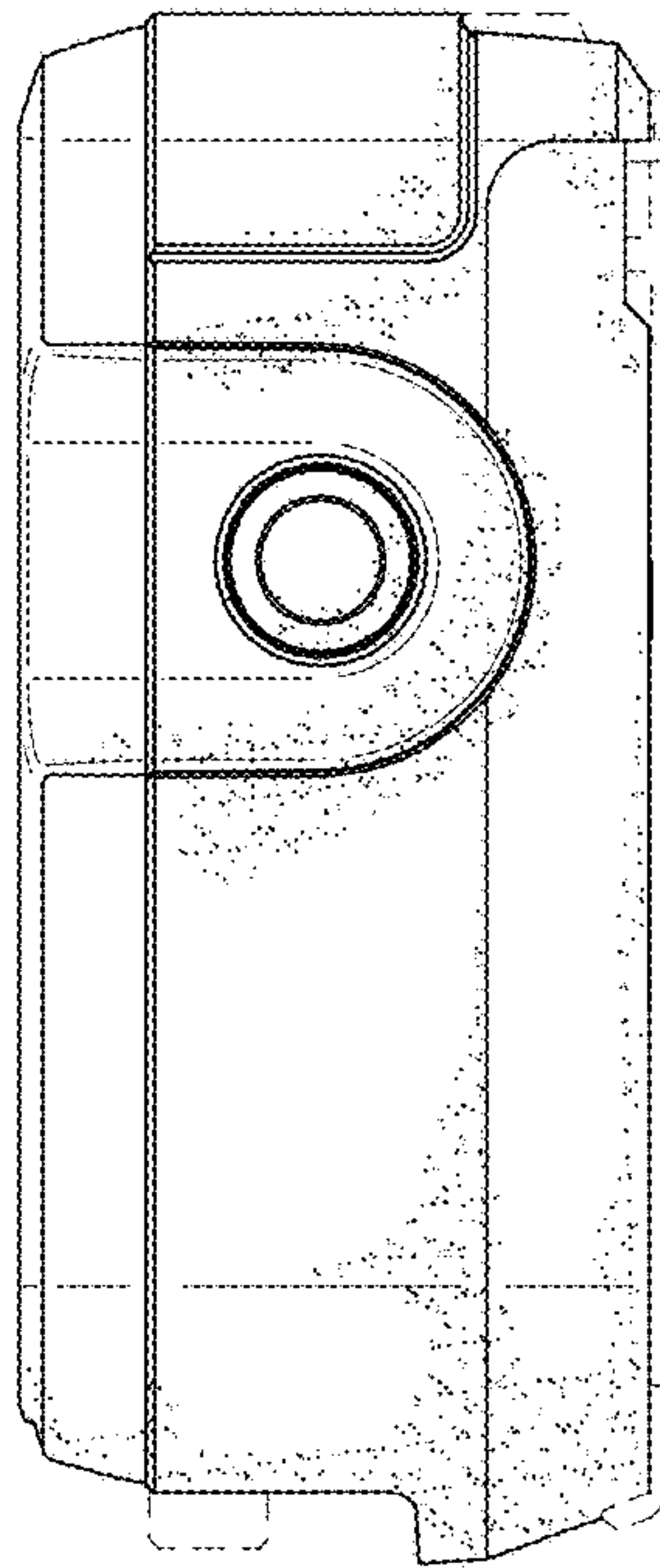


FIG. 21

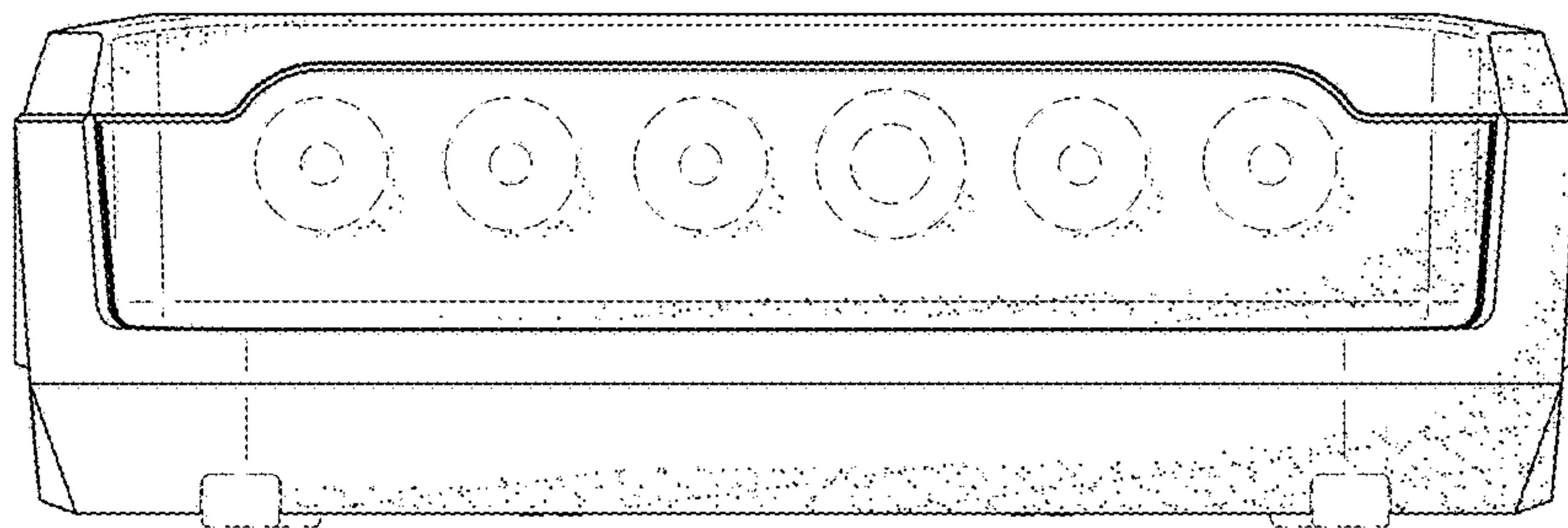


FIG. 22



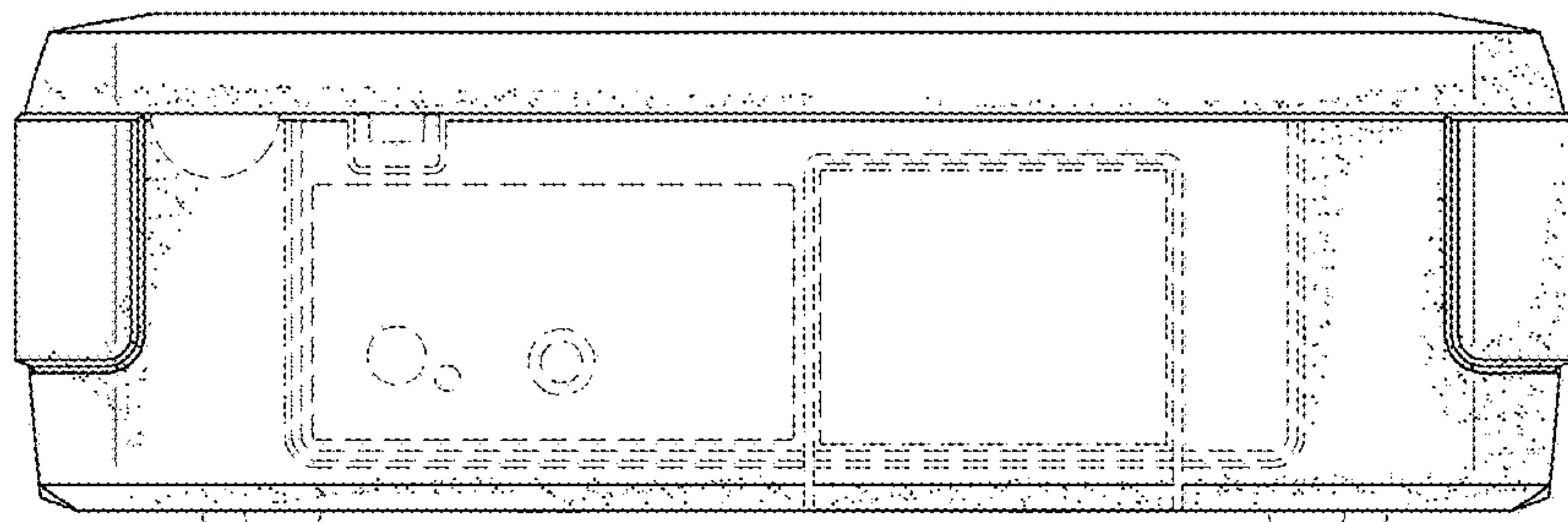


FIG. 23

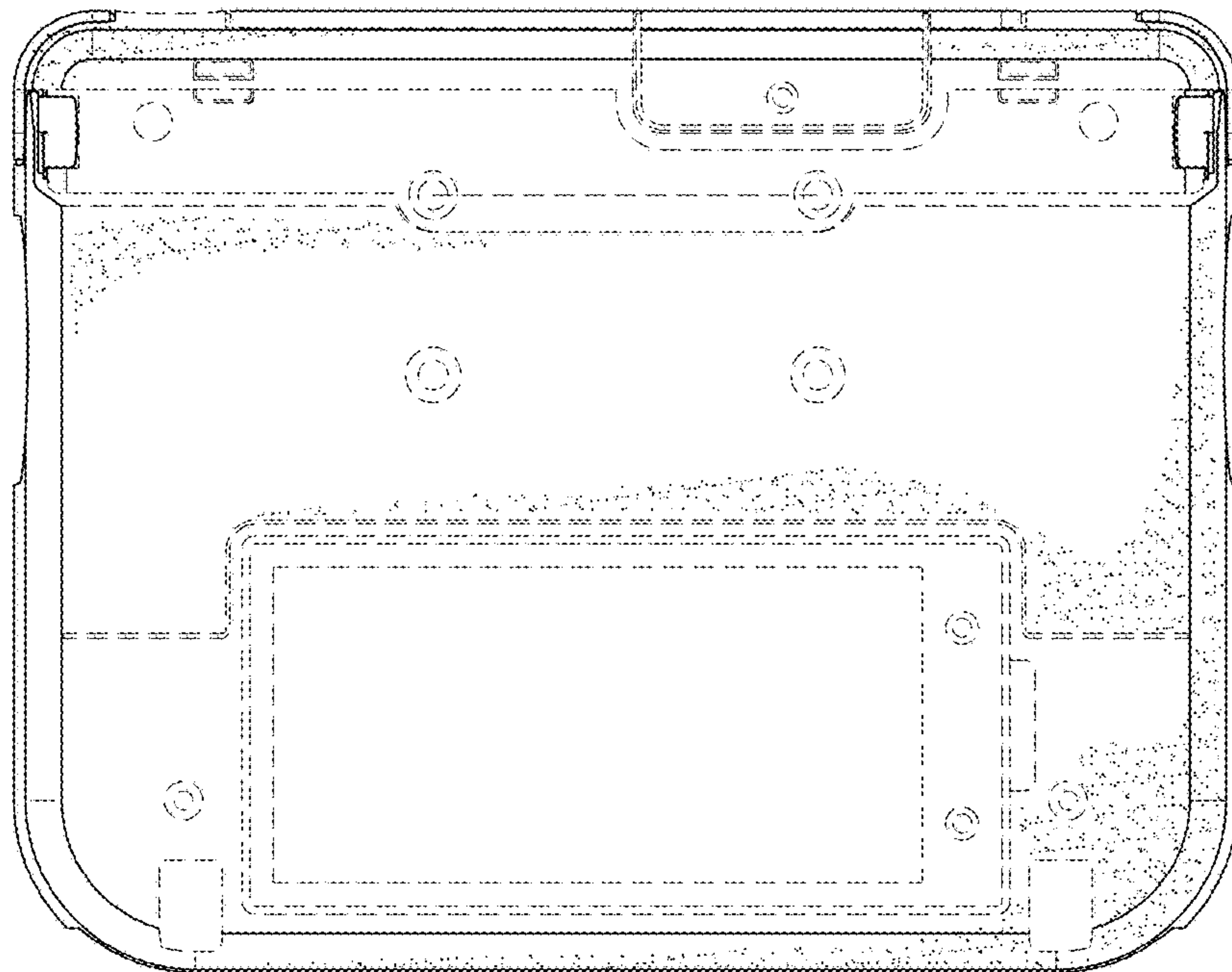


FIG. 24