



US00D842734S

(12) **United States Design Patent**  
**Jungen et al.**

(10) **Patent No.:** **US D842,734 S**  
(45) **Date of Patent:** **\*\* Mar. 12, 2019**

(54) **FLOW SENSOR**

(71) Applicant: **BELIMO Holding AG**, Hinwil (CH)

(72) Inventors: **Walter Jungen**, Adliswil (CH); **Josef Niederberger**, Laupen (CH)

(73) Assignee: **BELIMO Holding AG**, Hinwil (CH)

(\*\*) Term: **15 Years**

(21) Appl. No.: **29/611,320**

(22) Filed: **Jul. 20, 2017**

(51) **LOC (11) Cl.** ..... **10-04**

(52) **U.S. Cl.**  
USPC ..... **D10/96**

(58) **Field of Classification Search**  
USPC ..... **D10/96**

CPC ..... G01F 1/40; G01F 1/42; G01F 1/44; G01F 1/46; G01F 1/74; G01F 11/003; G01F 11/006; G01F 1/68; G01F 1/684; G01F 1/6842; G01F 1/6845; G01F 1/6847; G01F 1/688; G01F 1/6882; G01F 1/6884; G01F 1/6886; G01F 1/6888; G01F 1/69; G01F 1/76; G01F 1/78; G01F 1/785; G01F 1/80; G01F 1/82; G01F 1/84; G01F 1/8404; G01F 1/8409; G01F 1/8413; G01F 1/8418; G01F 1/8422; G01F 1/8427; G01F 1/8431; G01F 1/8436; G01F 1/844; G01F 1/8445; G01F 1/845; G01F 1/8454; G01F 1/8459; G01F 1/8463; G01F 1/8468; G01F 1/8472; G01F 1/8477; G01F 1/8481; G01F 1/8486; G01F 1/849; G01F 1/8495; G01F 1/86; G01F 1/88; G01F 1/90; G01F 15/14; G01N 21/03; G01N 21/05; G01N 2021/0378; G01N 2021/0382; G01N 2021/052; G01N 2021/054; G01N 2021/056; G01N 2021/058; G01K 12/02; G01K 2013/024; G01K 2013/026; G01M 3/26; G01M 3/28; G01M 3/2807; G01M 3/2815; G01M 3/2823; G01M 3/283;

G01M 3/2838; G01M 3/2846; G01M 3/2853; G01M 3/2861; G01M 3/2869; G01M 3/2876; G01M 3/2884; G01M 3/2892; G01M 3/30; G01P 13/00; G01P 13/0006; G01P 13/006

See application file for complete search history.

(56) **References Cited**

U.S. PATENT DOCUMENTS

D278,316 S \* 4/1985 Bengtson ..... D10/96  
D442,103 S \* 5/2001 Legallais ..... D10/96

(Continued)

*Primary Examiner* — Antoine Duval Davis

(74) *Attorney, Agent, or Firm* — Knobbe, Martens, Olson & Bear, LLP

(57) **CLAIM**

The ornamental design for a flow sensor, as shown and described.

**DESCRIPTION**

This application incorporates by reference the entirety of each of: U.S. Design patent application entitled “Flow Sensor”, filed on Jul. 20, 2017 Ser. No. 29/611,315, U.S. Design patent application entitled “Flow Sensor”, filed on Jul. 20, 2017 Ser. No. 29/611,315, and U.S. Design patent application entitled “Flow Sensor”, filed on Jul. 20, 2017 Ser. No. 29/611,312.

FIG. 1 is a bottom view of an embodiment of a flow sensor of our design;

FIG. 2 is a top view thereof;

FIG. 3 is a front view thereof;

FIG. 4 is a rear view thereof;

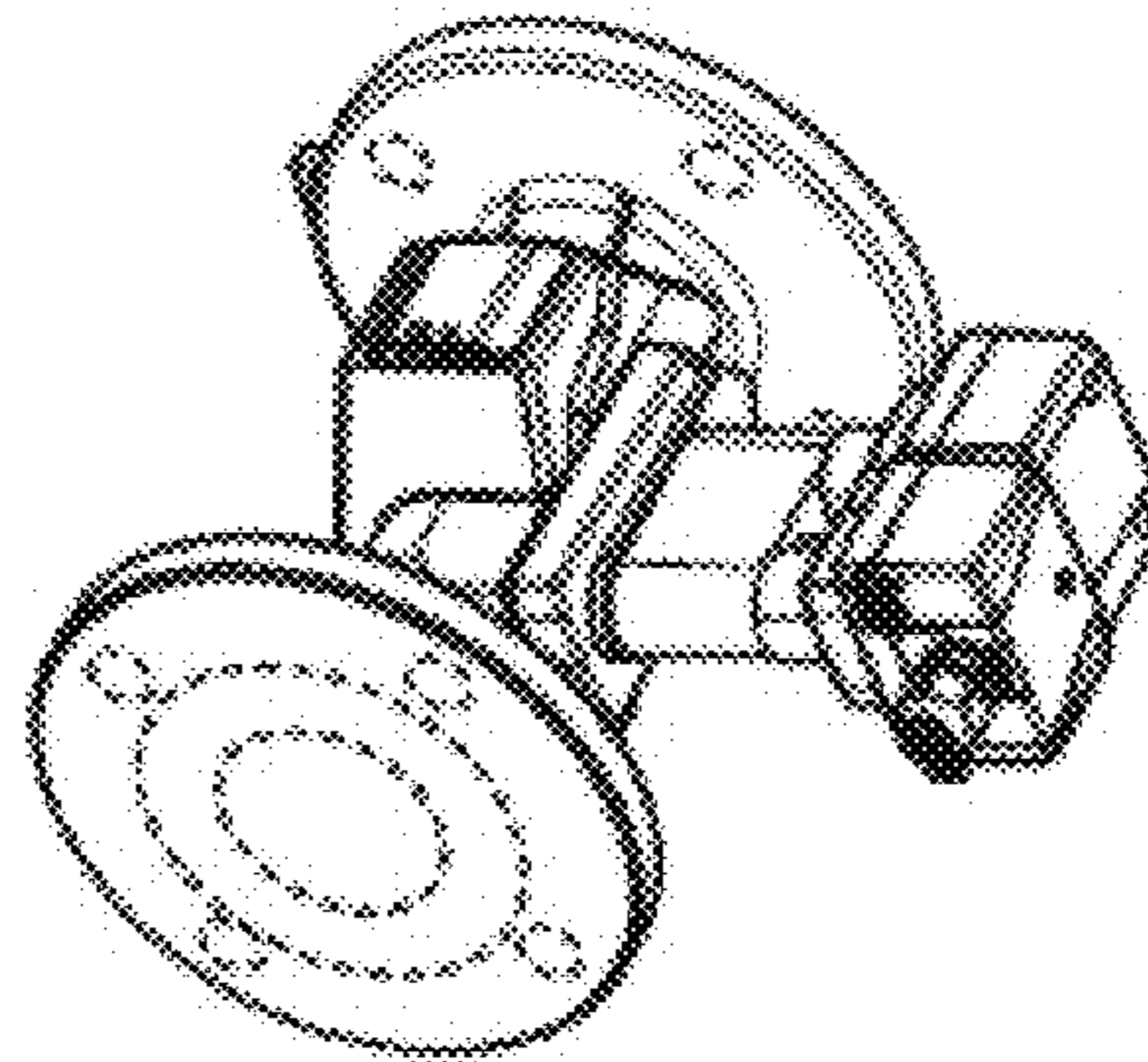
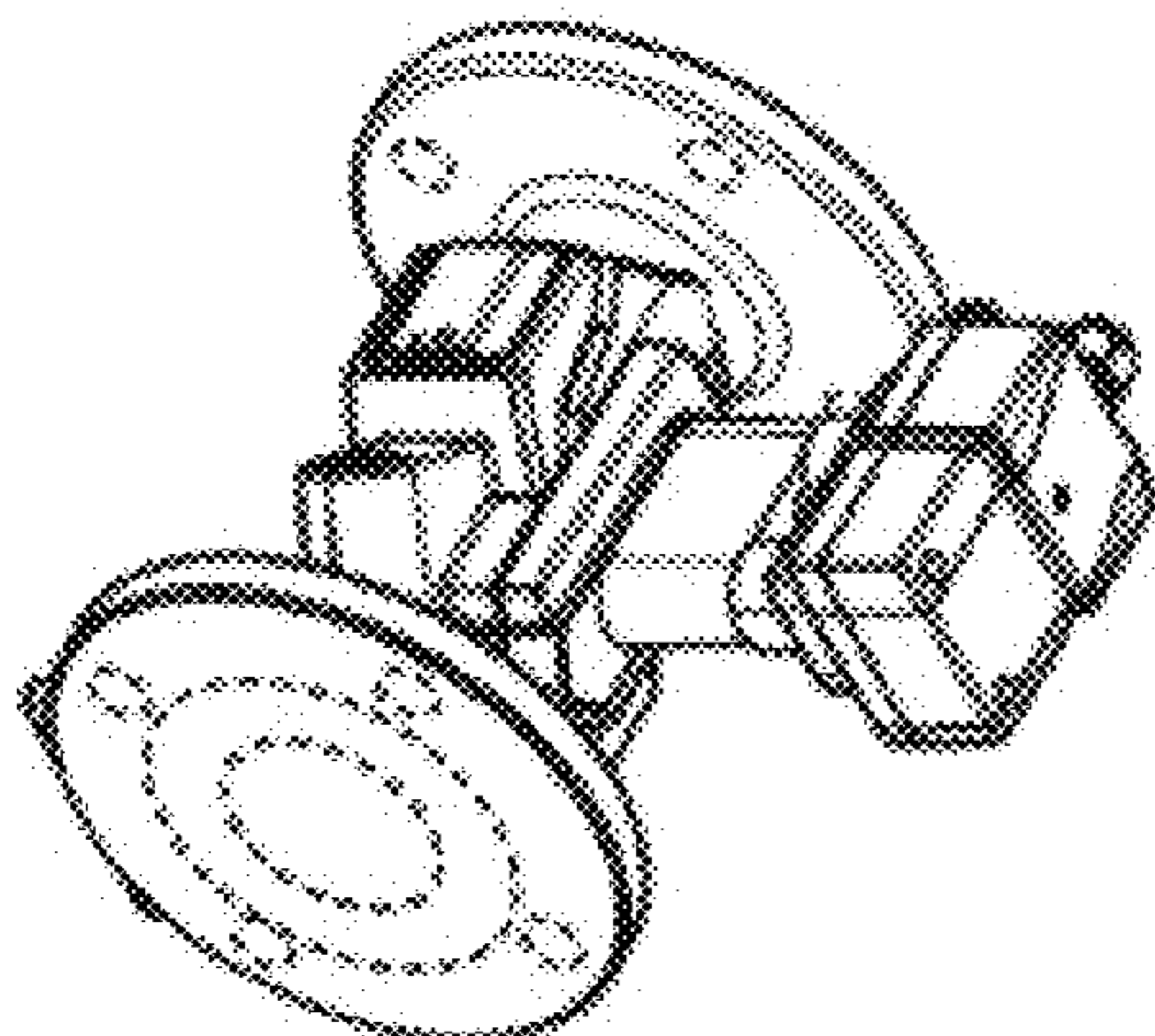
FIG. 5 is a left side view thereof;

FIG. 6 is a right side view thereof;

FIG. 7 is a rear, top, left-side perspective view thereof; and, FIG. 8 is a front, top, right-side perspective view thereof.

All features illustrated in broken lines form no part of the claimed design.

**1 Claim, 8 Drawing Sheets**



(56)

**References Cited**

U.S. PATENT DOCUMENTS

6,840,112 B2 \* 1/2005 Ikeda ..... G01F 1/383  
73/756  
D675,121 S \* 1/2013 Azuma ..... D10/96  
9,109,935 B2 \* 8/2015 Yang ..... G01F 1/6845

\* cited by examiner

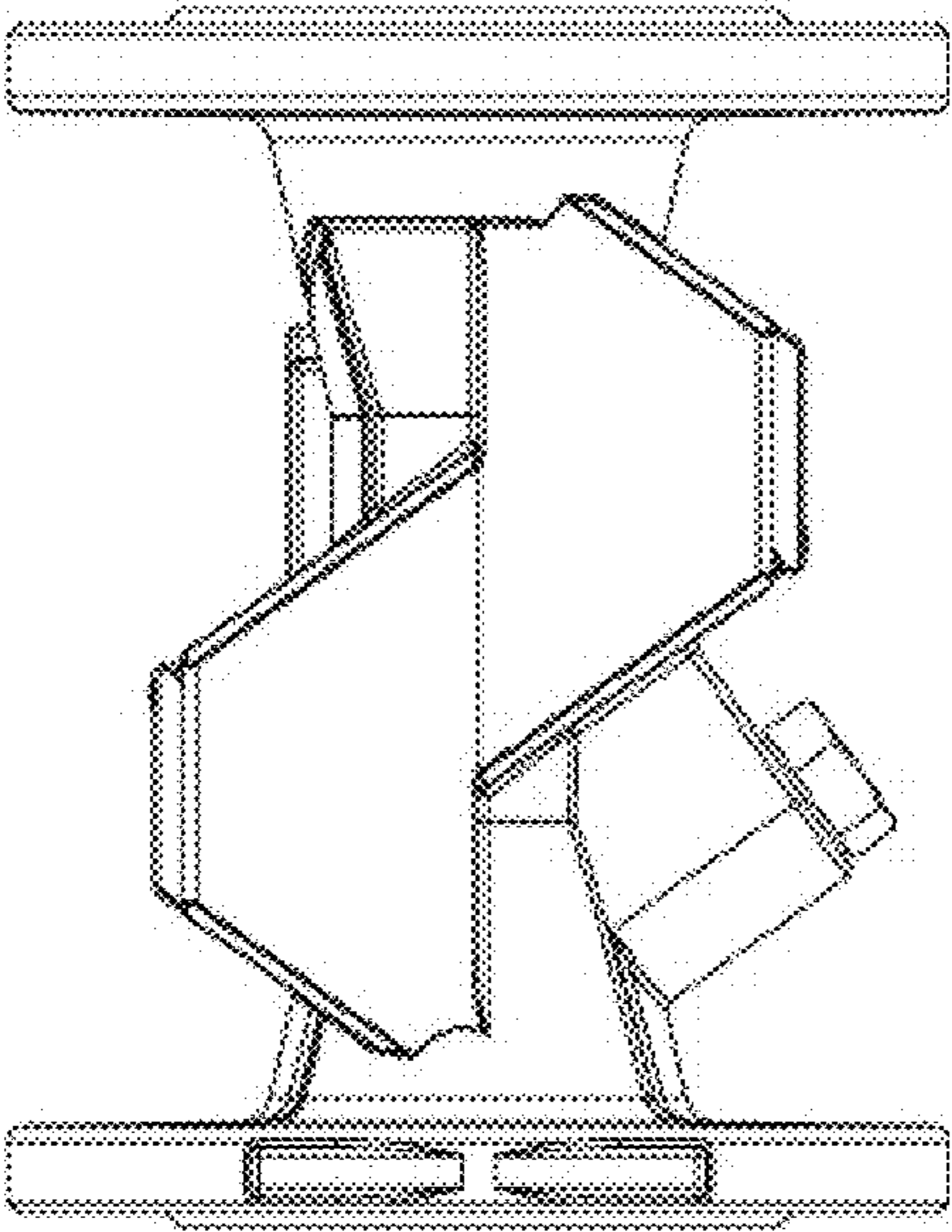


Figure 1

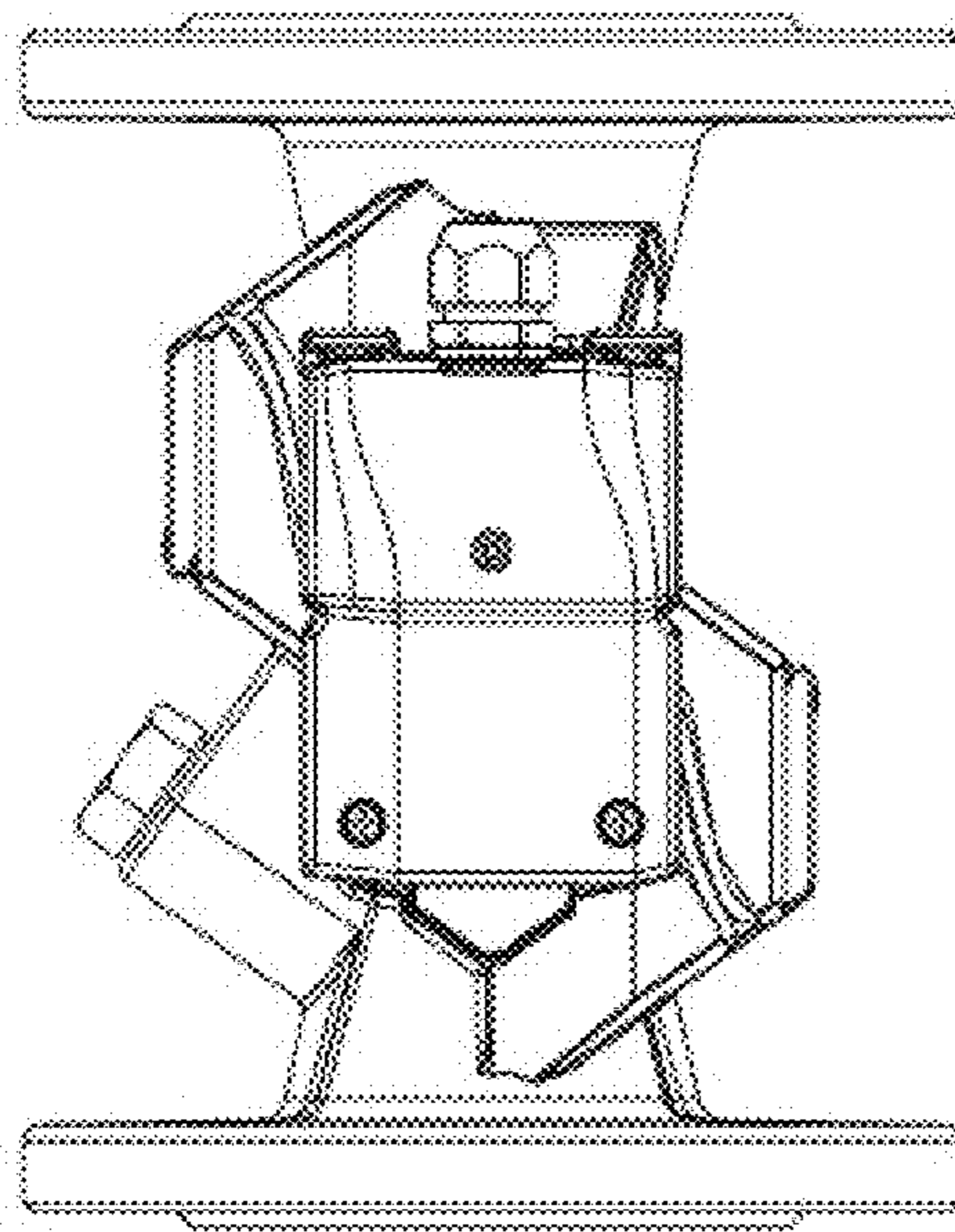


Figure 2

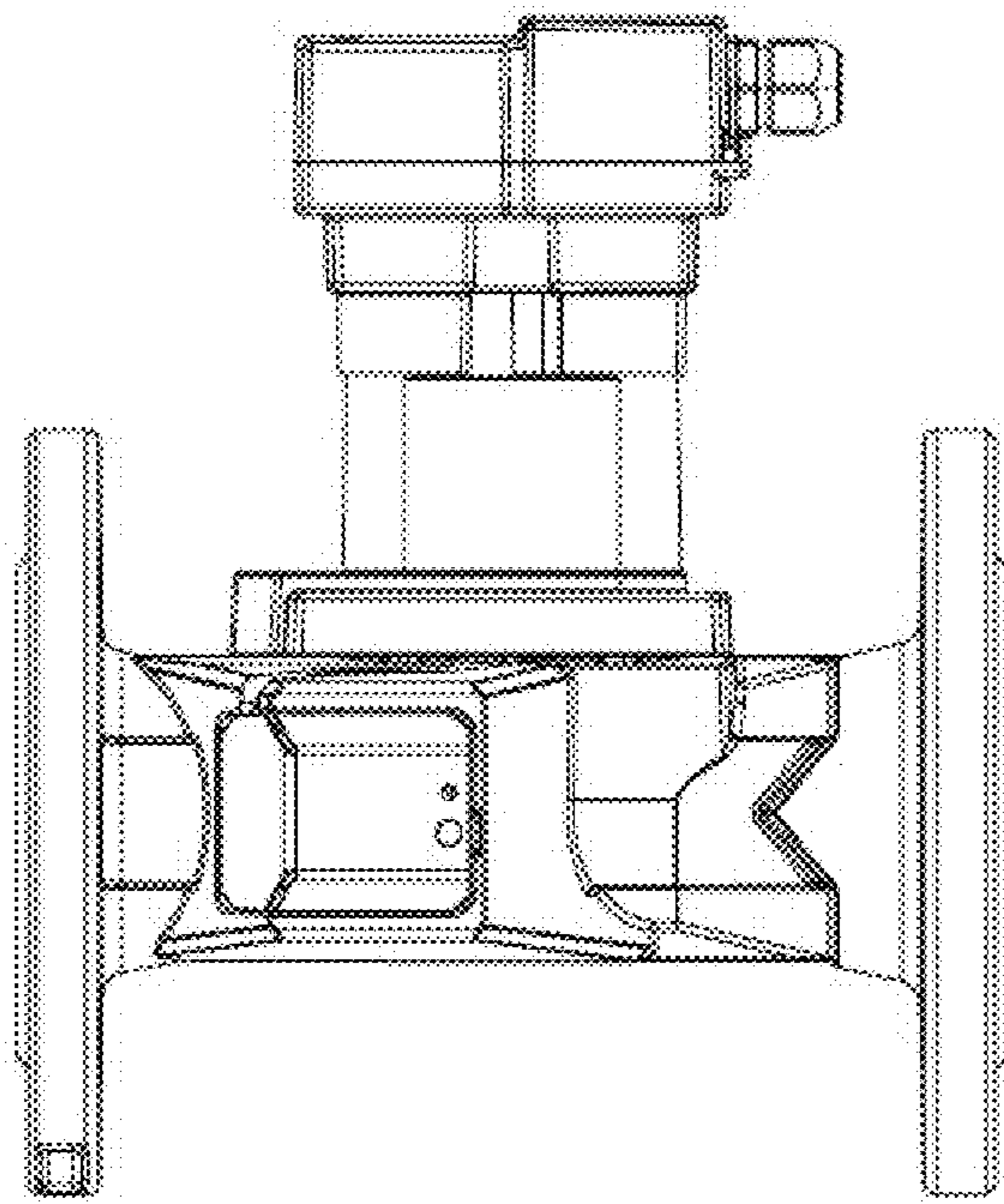


Figure 3



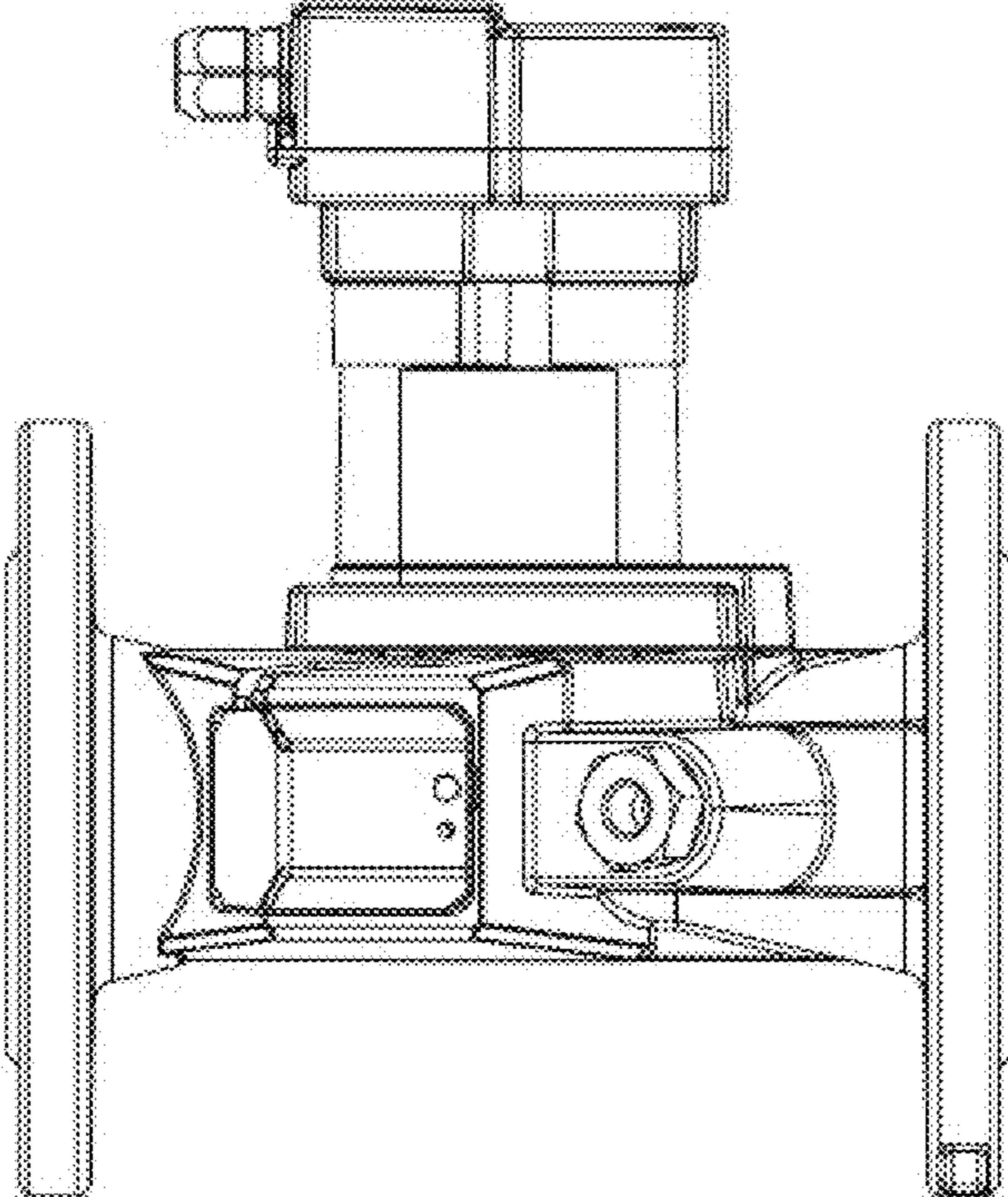


Figure 4

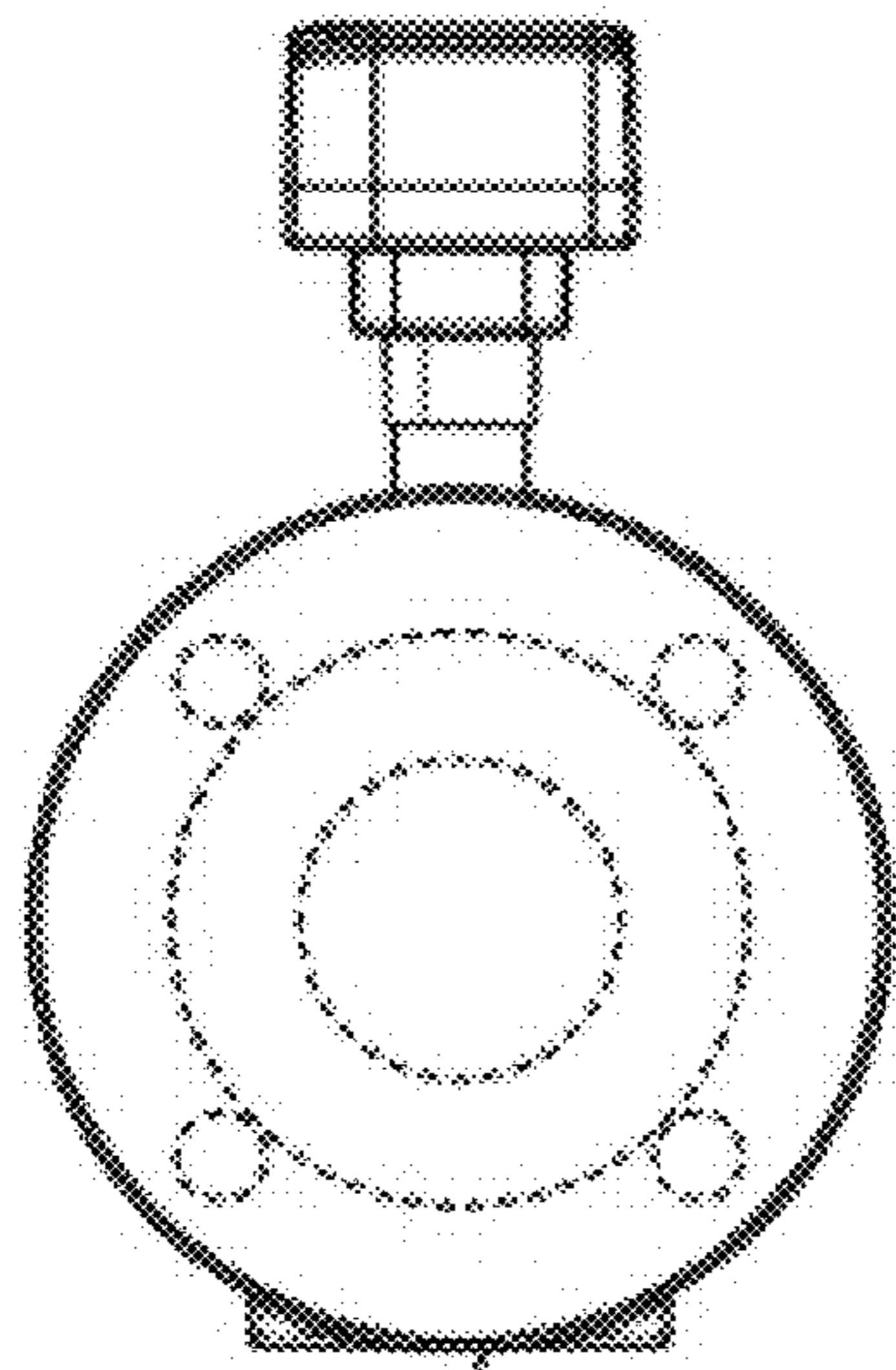


Figure 5

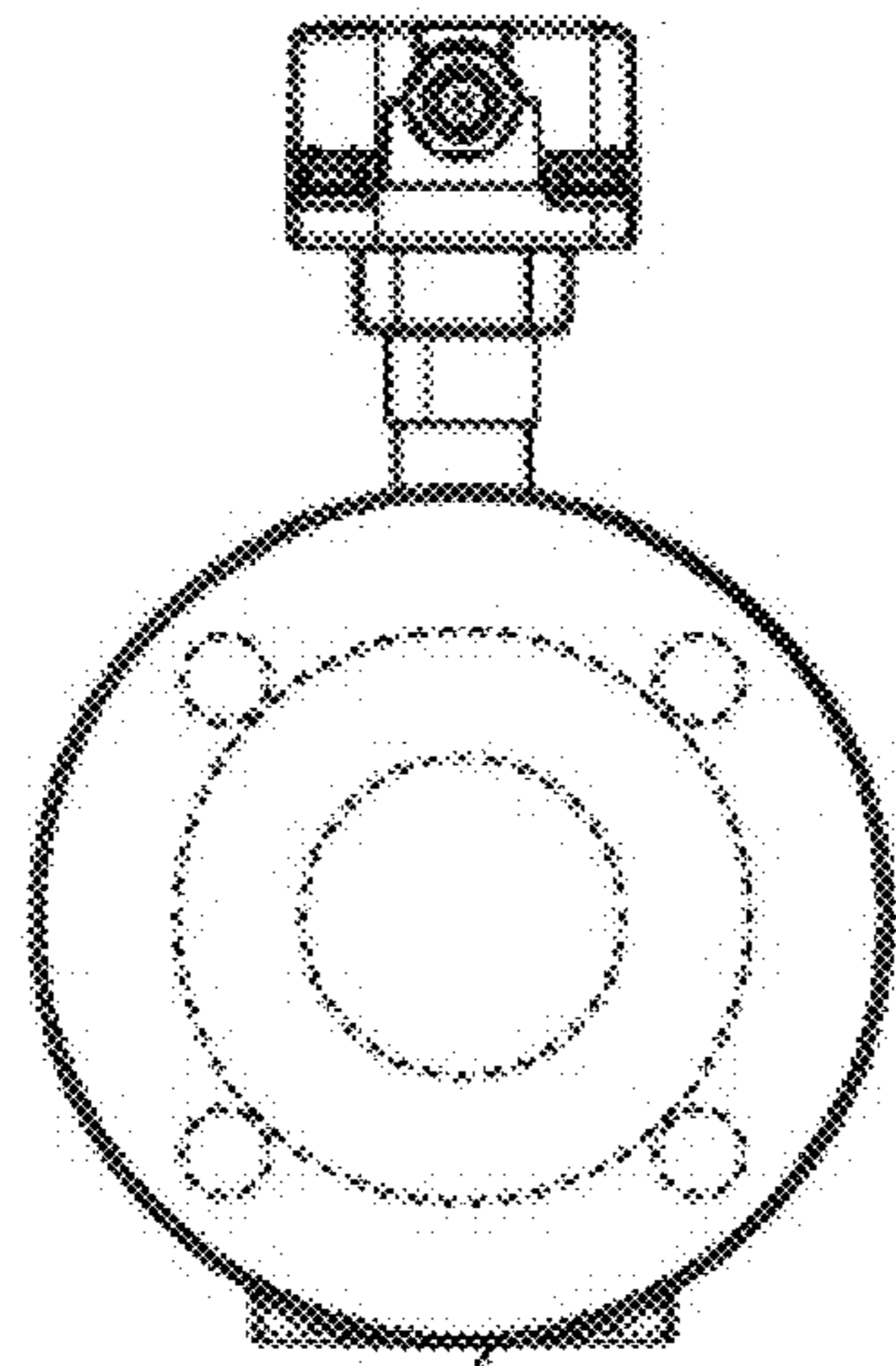


Figure 6



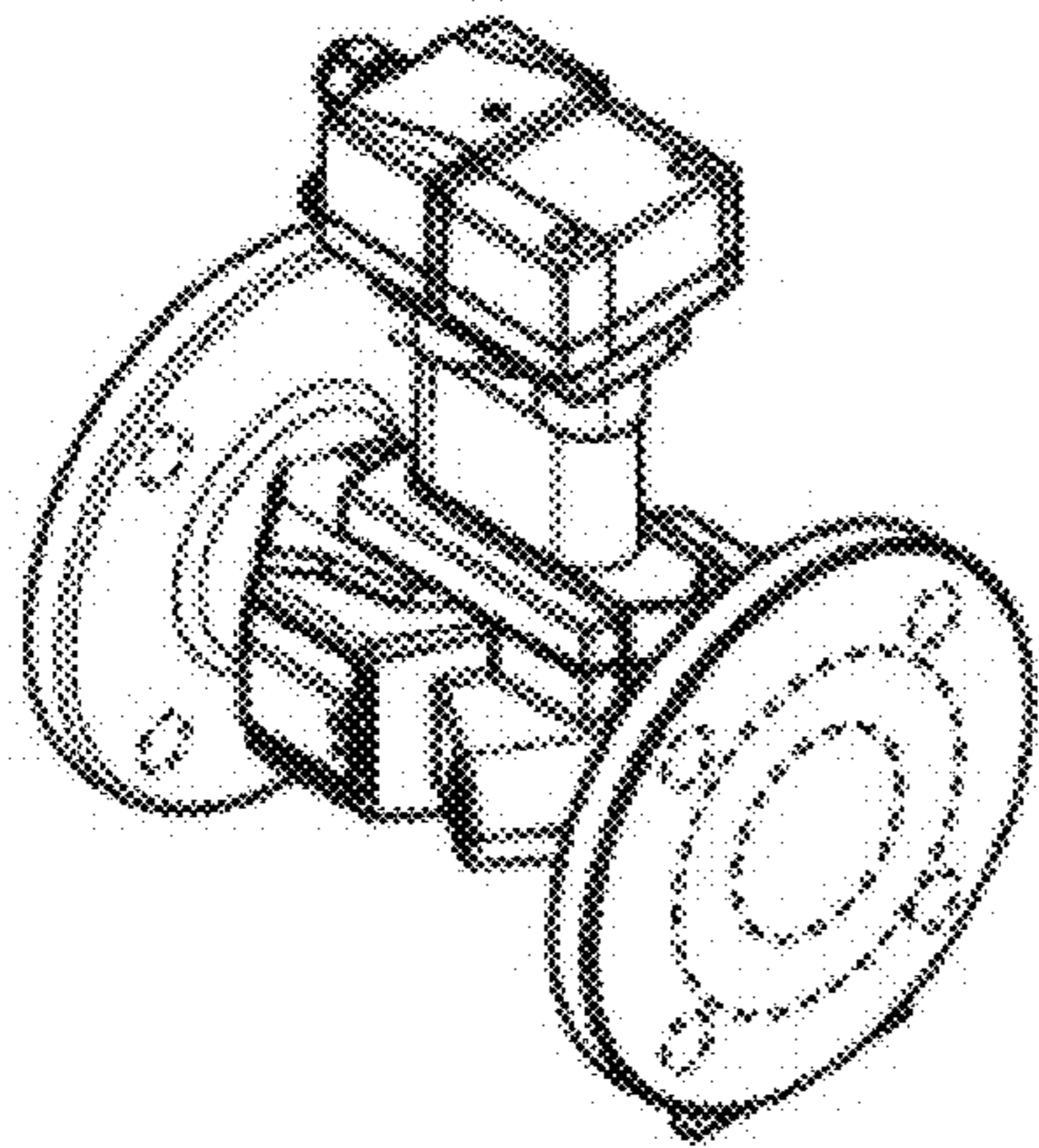


Figure 7

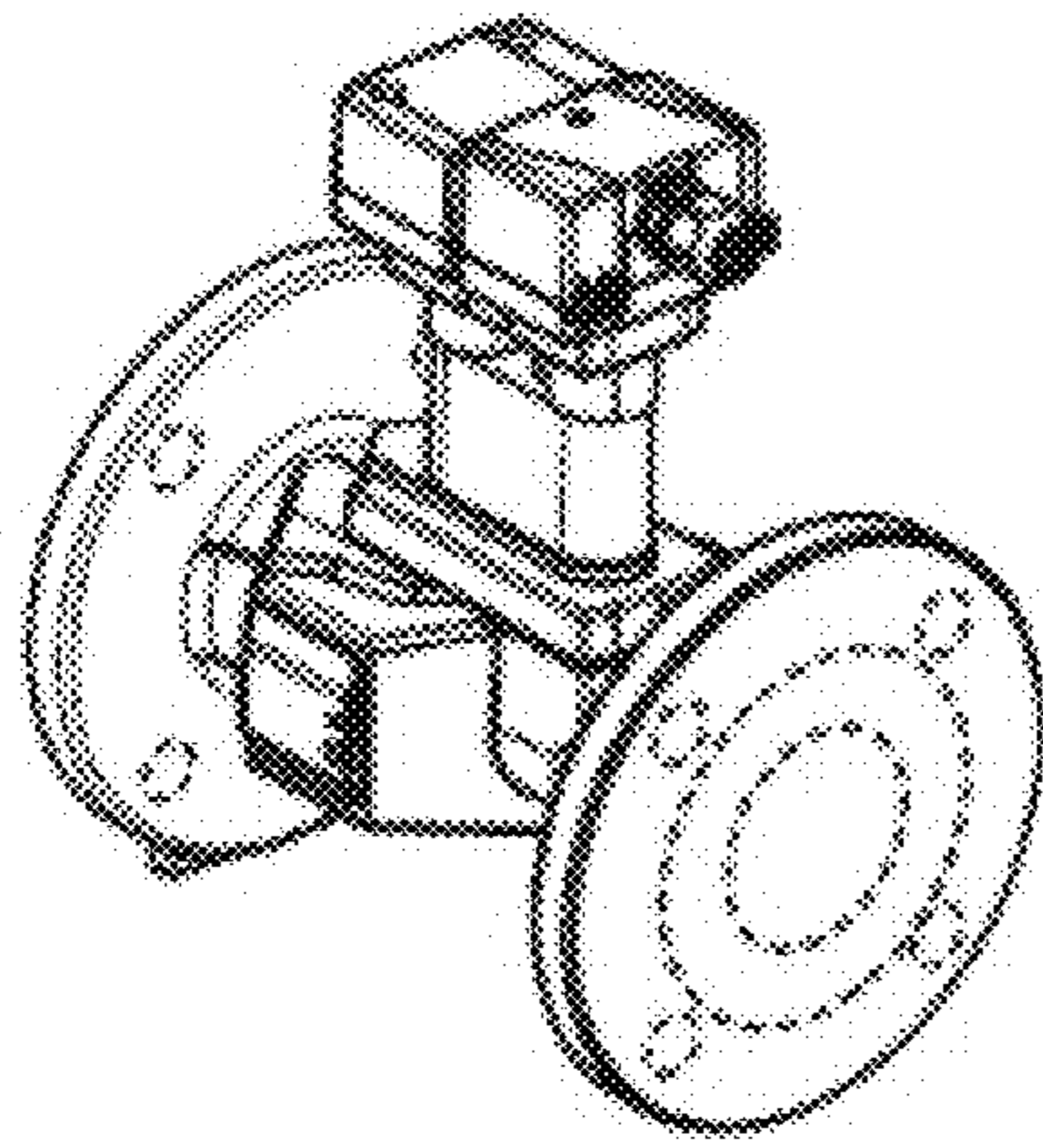


Figure 8

UNITED STATES PATENT AND TRADEMARK OFFICE  
**CERTIFICATE OF CORRECTION**

PATENT NO. : D842,734 S  
APPLICATION NO. : 29/611320  
DATED : March 12, 2019  
INVENTOR(S) : Jungen et al.

Page 1 of 1

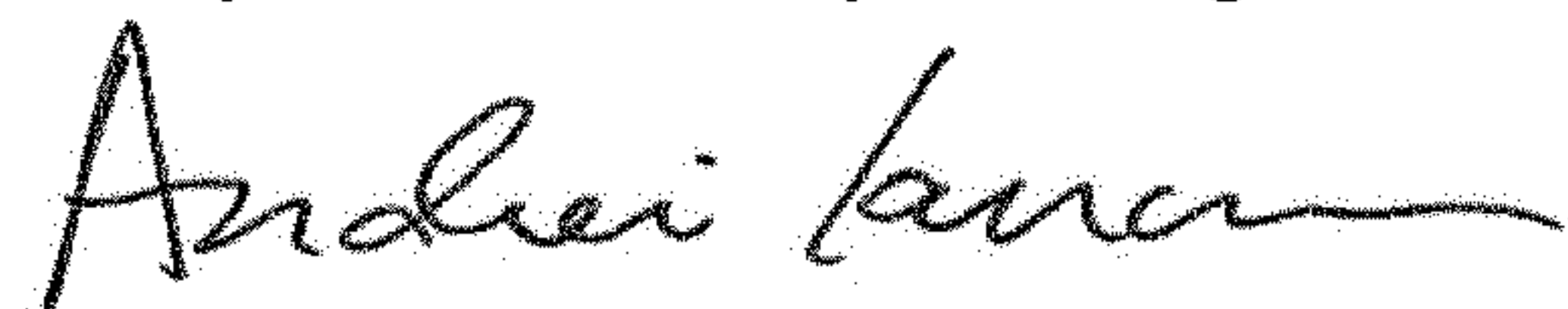
It is certified that error appears in the above-identified patent and that said Letters Patent is hereby corrected as shown below:

On the Title Page

Item (73) Assignee, change "Himwil (CH)" to --Hinwil (CH)--.

Item (57) Description, Line 5, change the second instance of "29/611,315," to --29/611,346,--.

Signed and Sealed this  
Twenty-seventh Day of August, 2019



Andrei Iancu  
*Director of the United States Patent and Trademark Office*