



US00D842733S

(12) **United States Design Patent**
Jungen et al.

(10) **Patent No.:** **US D842,733 S**
(45) **Date of Patent:** **** Mar. 12, 2019**

- (54) **FLOW SENSOR**
- (71) Applicant: **BELIMO Holding AG**, Hinwil (CH)
- (72) Inventors: **Walter Jungen**, Adliswil (CH); **Josef Niederberger**, Laupen (CH)
- (73) Assignee: **BELIMO Holding AG**, Hinwil (CH)
- (**) Term: **15 Years**
- (21) Appl. No.: **29/611,315**
- (22) Filed: **Jul. 20, 2017**
- (51) **LOC (11) Cl.** **10-04**
- (52) **U.S. Cl.**
USPC **D10/96**
- (58) **Field of Classification Search**
USPC D10/96
CPC G01F 1/40; G01F 1/42; G01F 1/44; G01F 1/46; G01F 1/74; G01F 11/003; G01F 11/006; G01F 1/68; G01F 1/684; G01F 1/6842; G01F 1/6845; G01F 1/6847; G01F 1/688; G01F 1/6882; G01F 1/6884; G01F 1/6886; G01F 1/6888; G01F 1/69; G01F 1/76; G01F 1/78; G01F 1/785; G01F 1/80; G01F 1/82; G01F 1/84; G01F 1/8404; G01F 1/8409; G01F 1/8413; G01F 1/8418; G01F 1/8422; G01F 1/8427; G01F 1/8431; G01F 1/8436; G01F 1/844; G01F 1/8445; G01F 1/845; G01F 1/8454; G01F 1/8459; G01F 1/8463; G01F 1/8468; G01F 1/8472; G01F 1/8477; G01F 1/8481; G01F 1/8486; G01F 1/849; G01F 1/8495; G01F 1/86; G01F 1/88; G01F 1/90; G01F 15/14; G01N 21/03; G01N 21/05; G01N 2021/0378; G01N 2021/0382; G01N 2021/052; G01N 2021/054; G01N 2021/056; G01N 2021/058; G01K 12/02; G01K 2013/024; G01K 2013/026; G01M 3/26; G01M 3/28; G01M 3/2807; G01M 3/2815; G01M 3/2823; G01M 3/283;

G01M 3/2838; G01M 3/2846; G01M 3/2853; G01M 3/2861;

(Continued)

(56) **References Cited**

U.S. PATENT DOCUMENTS

D278,316 S * 4/1985 Bengtson D10/96
D442,103 S * 5/2001 Legallais D10/96

(Continued)

Primary Examiner — Antoine Duval Davis

(74) *Attorney, Agent, or Firm* — Knobbe, Martens, Olson & Bear, LLP

(57) **CLAIM**

The ornamental design for a flow sensor, as shown and described.

DESCRIPTION

This application incorporates by reference the entirety of each of: U.S. Design Patent Application entitled “Flow Sensor”, filed on Jul. 20, 2017 Ser. No. 29/611,346, U.S. Design Patent Application entitled “Flow Sensor”, filed on Jul. 20, 2017 Ser. No. 29/611,312, and U.S. Design Patent Application entitled “Flow Sensor”, filed on Jul. 20, 2017 Ser. No. 29/611,320.

FIG. 1 is a bottom view of an embodiment of a flow sensor of our design;

FIG. 2 is a top view thereof;

FIG. 3 is a front view thereof;

FIG. 4 is a rear view thereof;

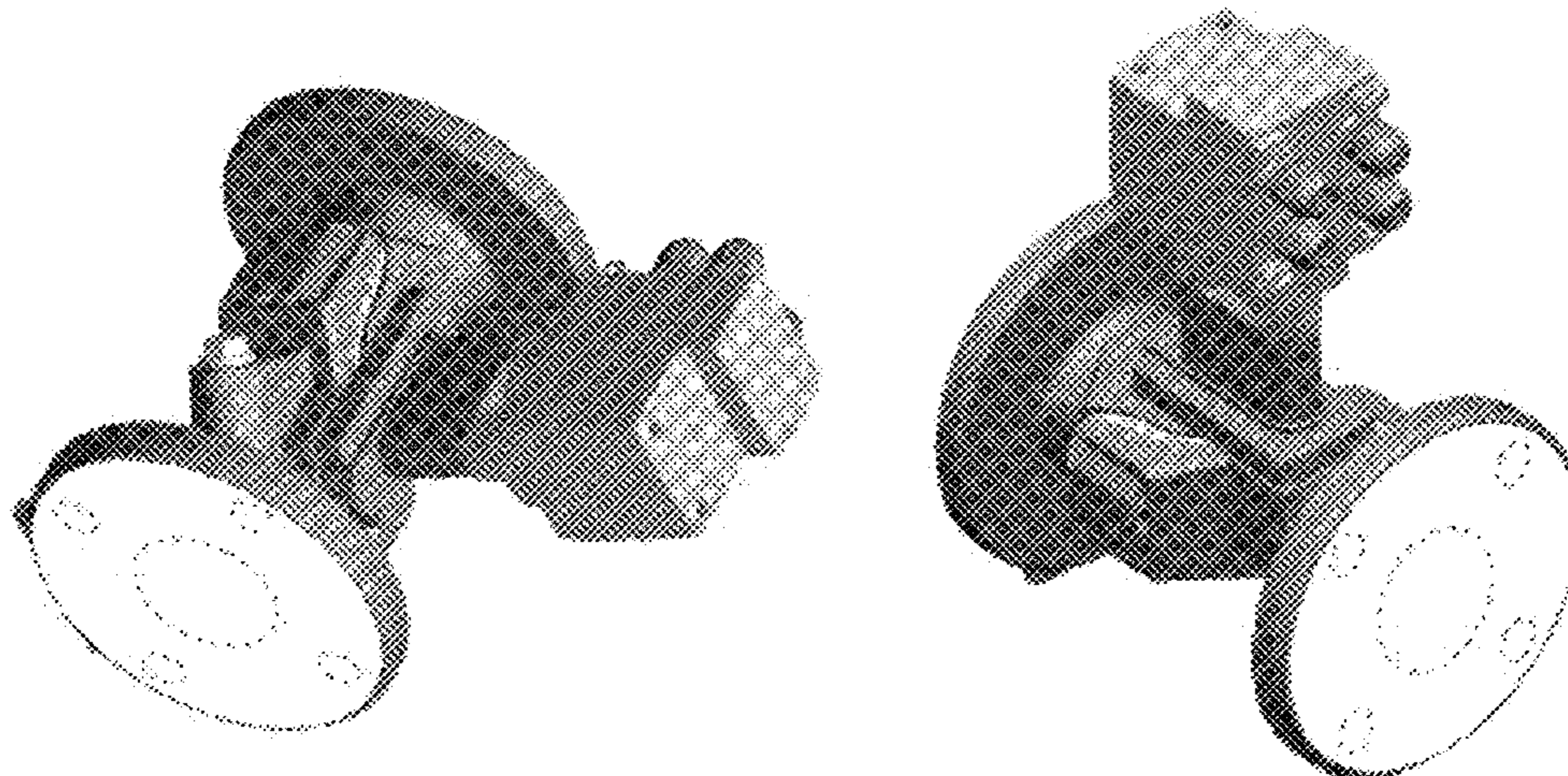
FIG. 5 is a left side view thereof;

FIG. 6 is a right side view thereof;

FIG. 7 is a rear, top, left-side perspective view thereof; and, FIG. 8 is a front, top, right-side perspective view thereof.

All features illustrated in broken lines form no part of the claimed design. In some embodiments, the color and shading of the orange portions have an orange color, such as an orange color value of NCS S 0580-Y60R according to the national color standard.

1 Claim, 8 Drawing Sheets



(58) **Field of Classification Search**

CPC G01M 3/2869; G01M 3/2876; G01M
3/2884; G01M 3/2892; G01M 3/30; G01P
13/00; G01P 13/0006; G01P 13/006
See application file for complete search history.

(56) **References Cited**

U.S. PATENT DOCUMENTS

6,840,112 B2 * 1/2005 Ikeda G01F 1/383
73/756
D675,121 S * 1/2013 Azuma D10/96
9,109,935 B2 * 8/2015 Yang G01F 1/6845

* cited by examiner

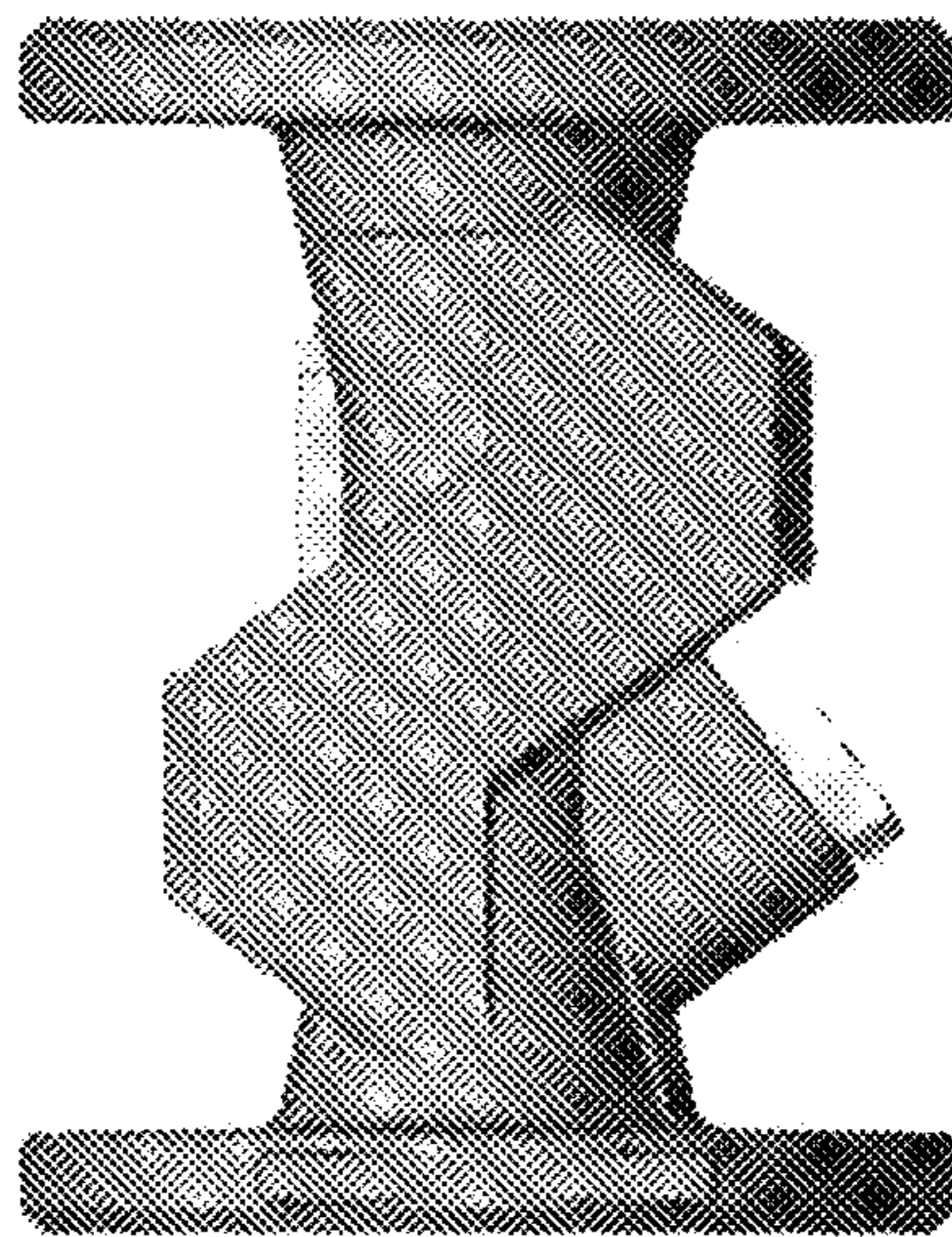


Figure 1

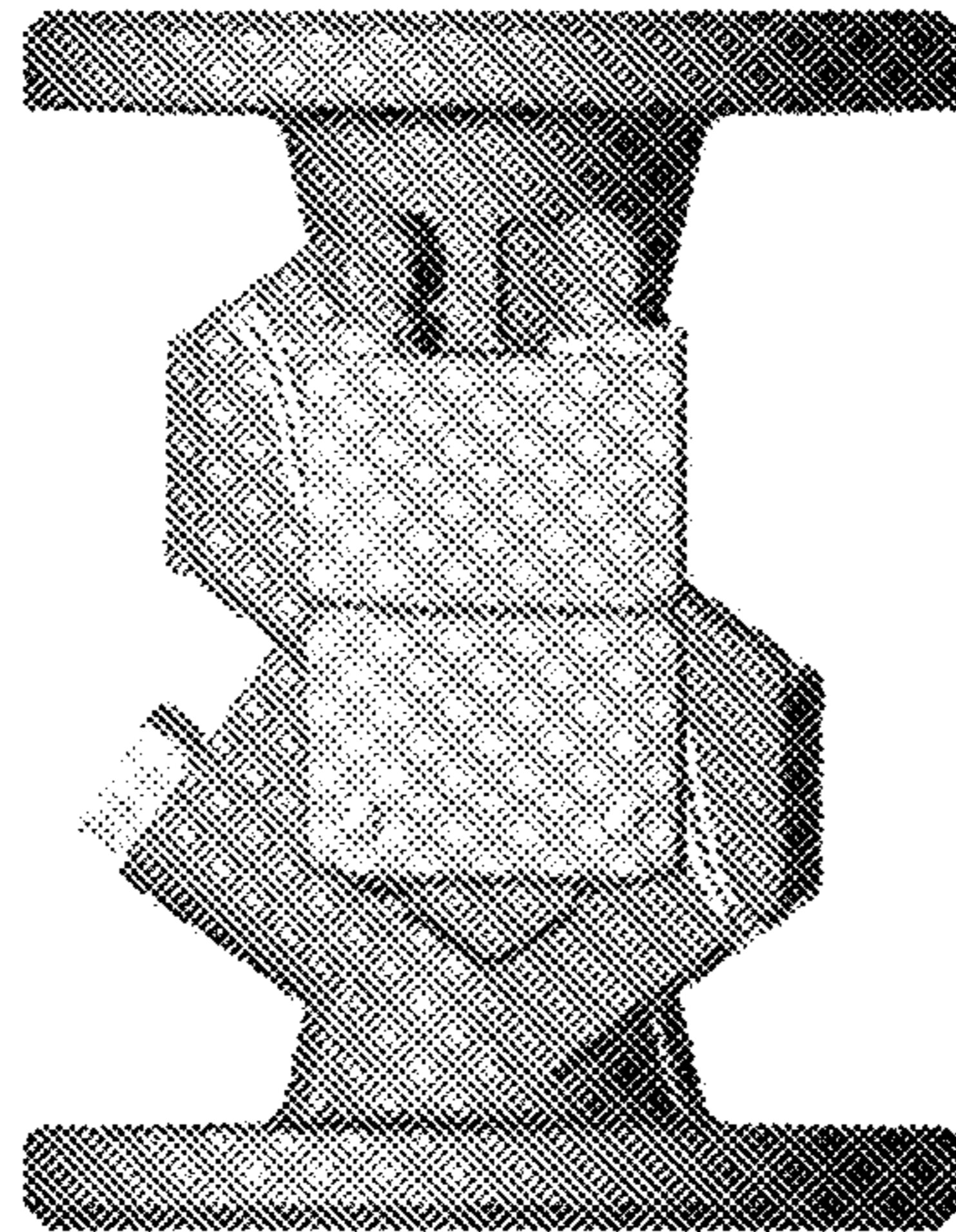


Figure 2

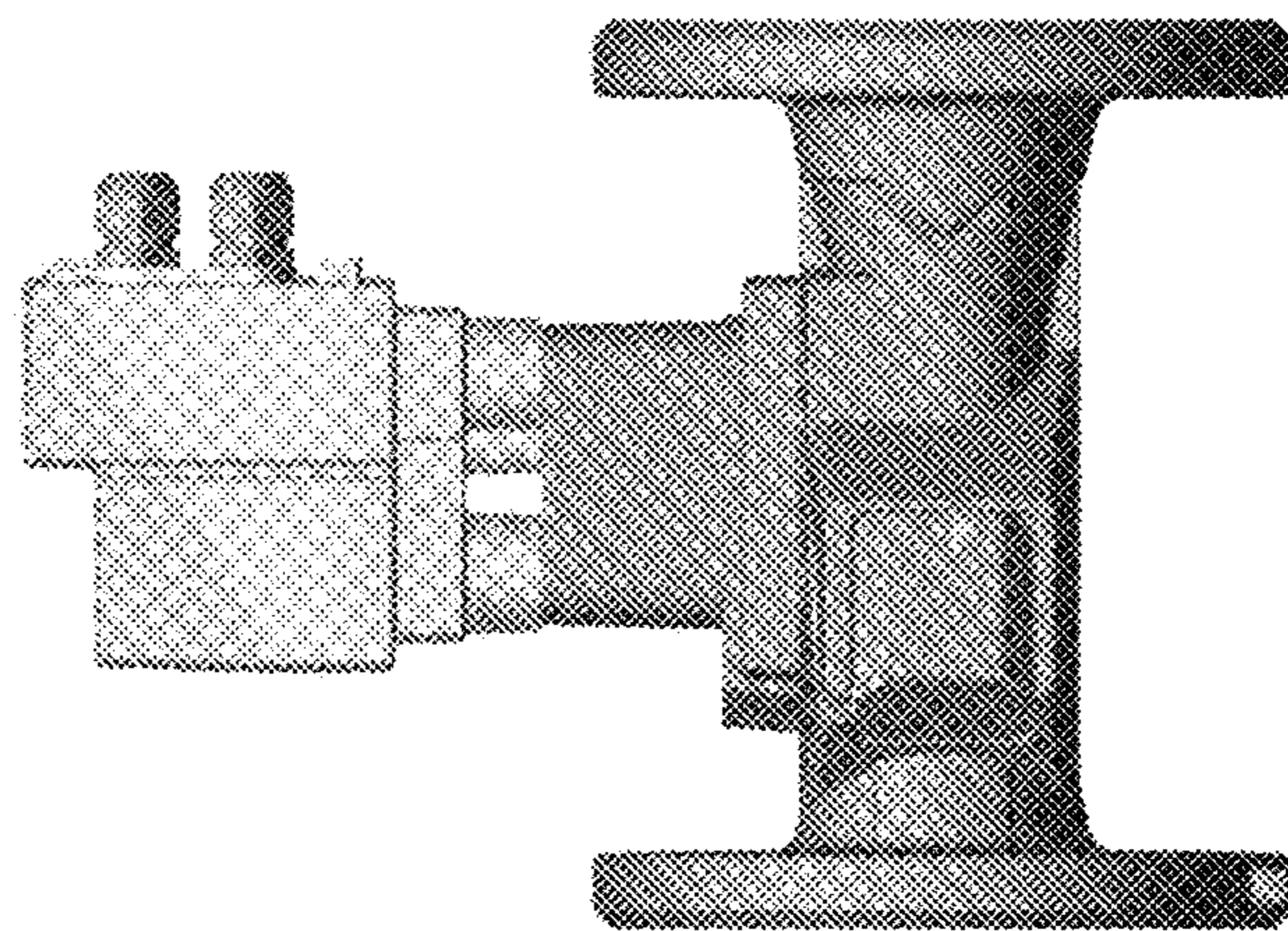


Figure 3

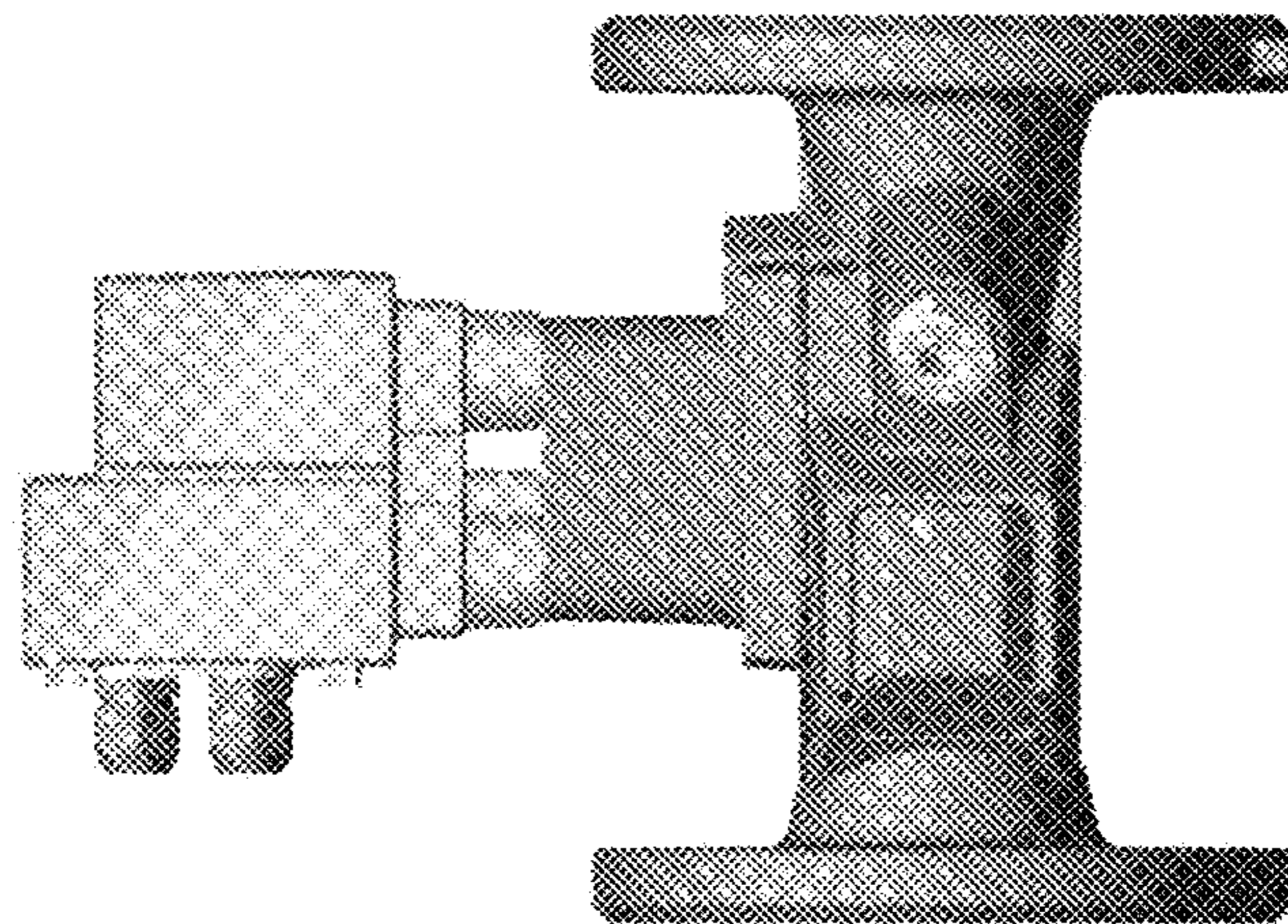


Figure 4

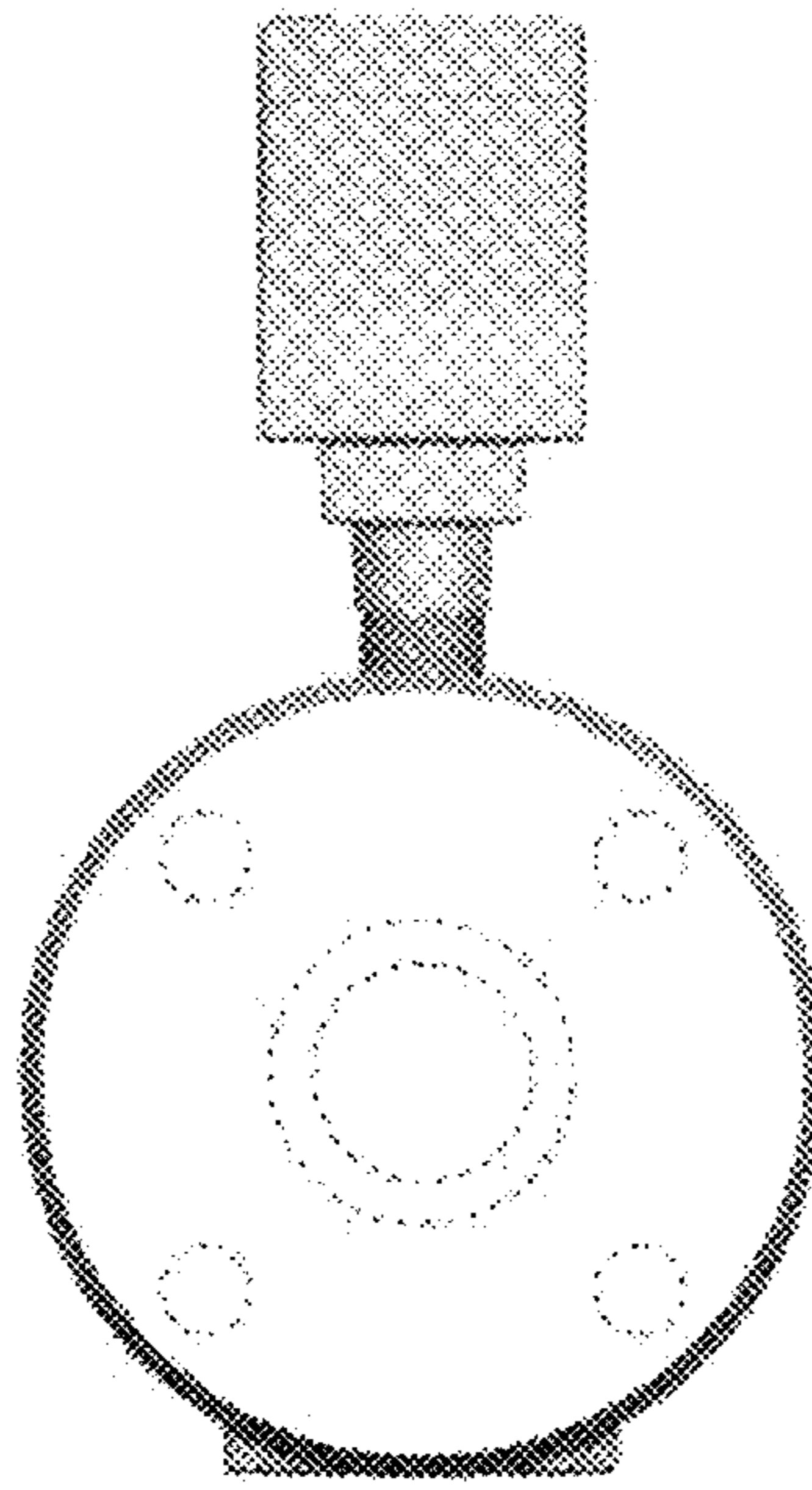


Figure 5

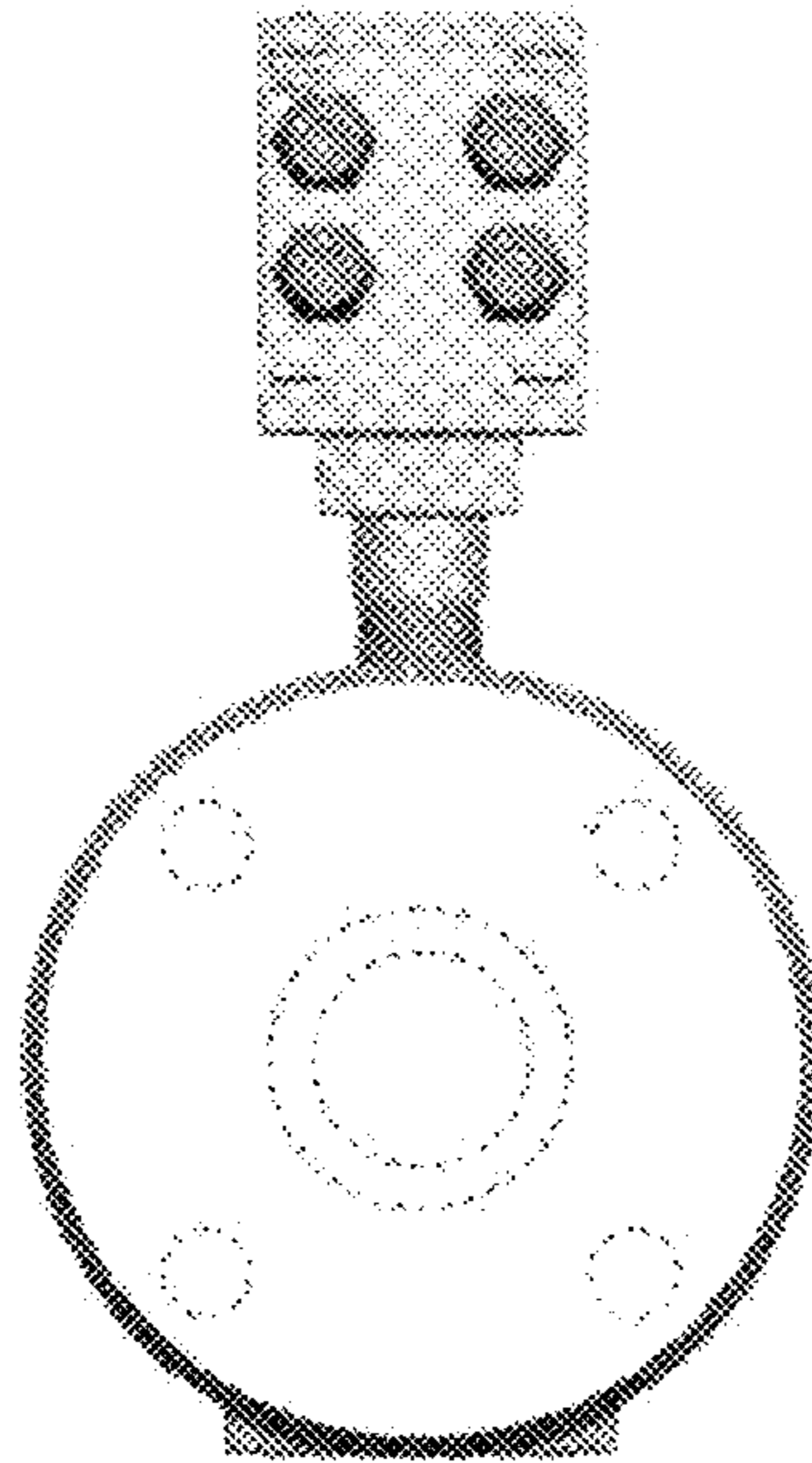


Figure 6

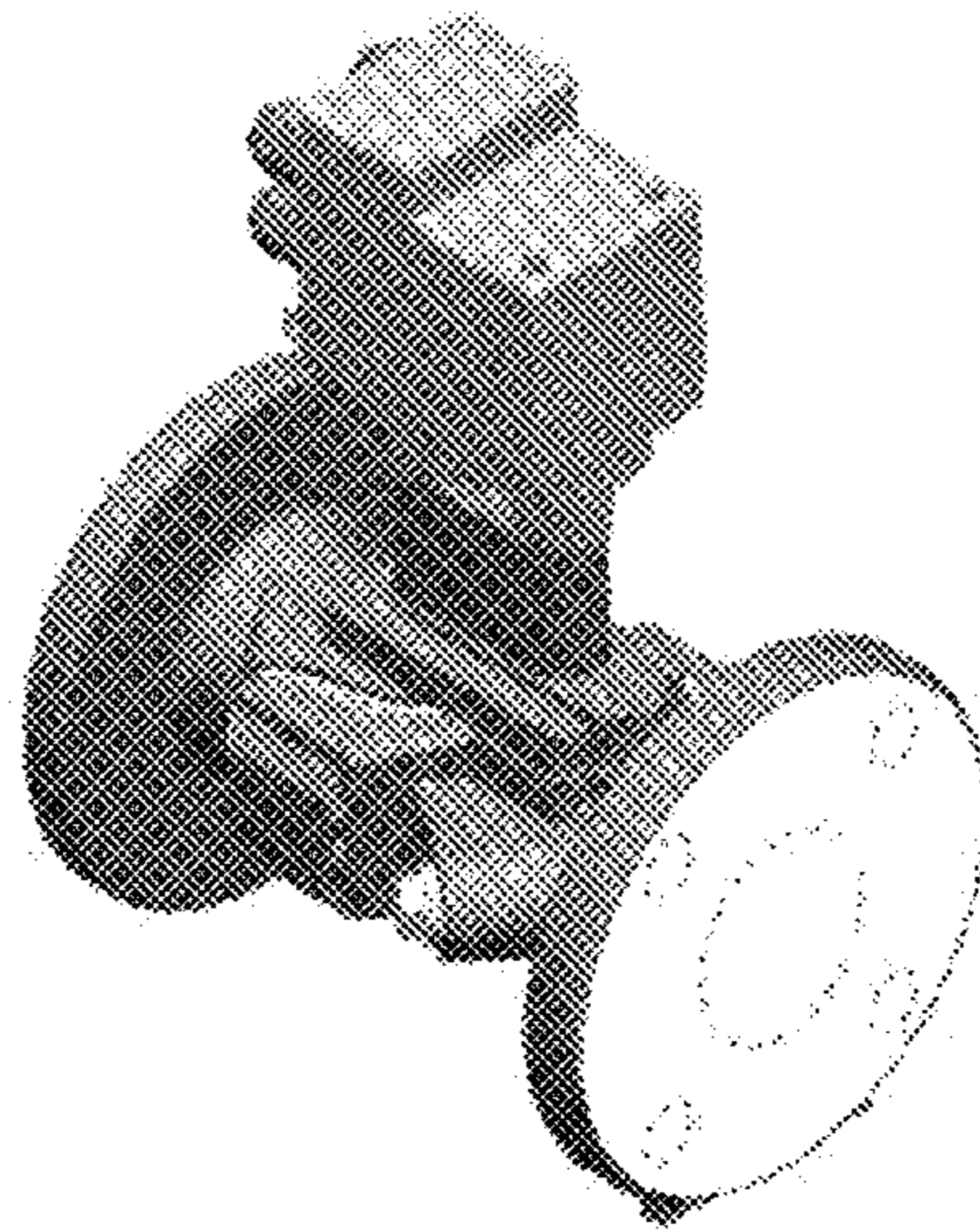


Figure 7

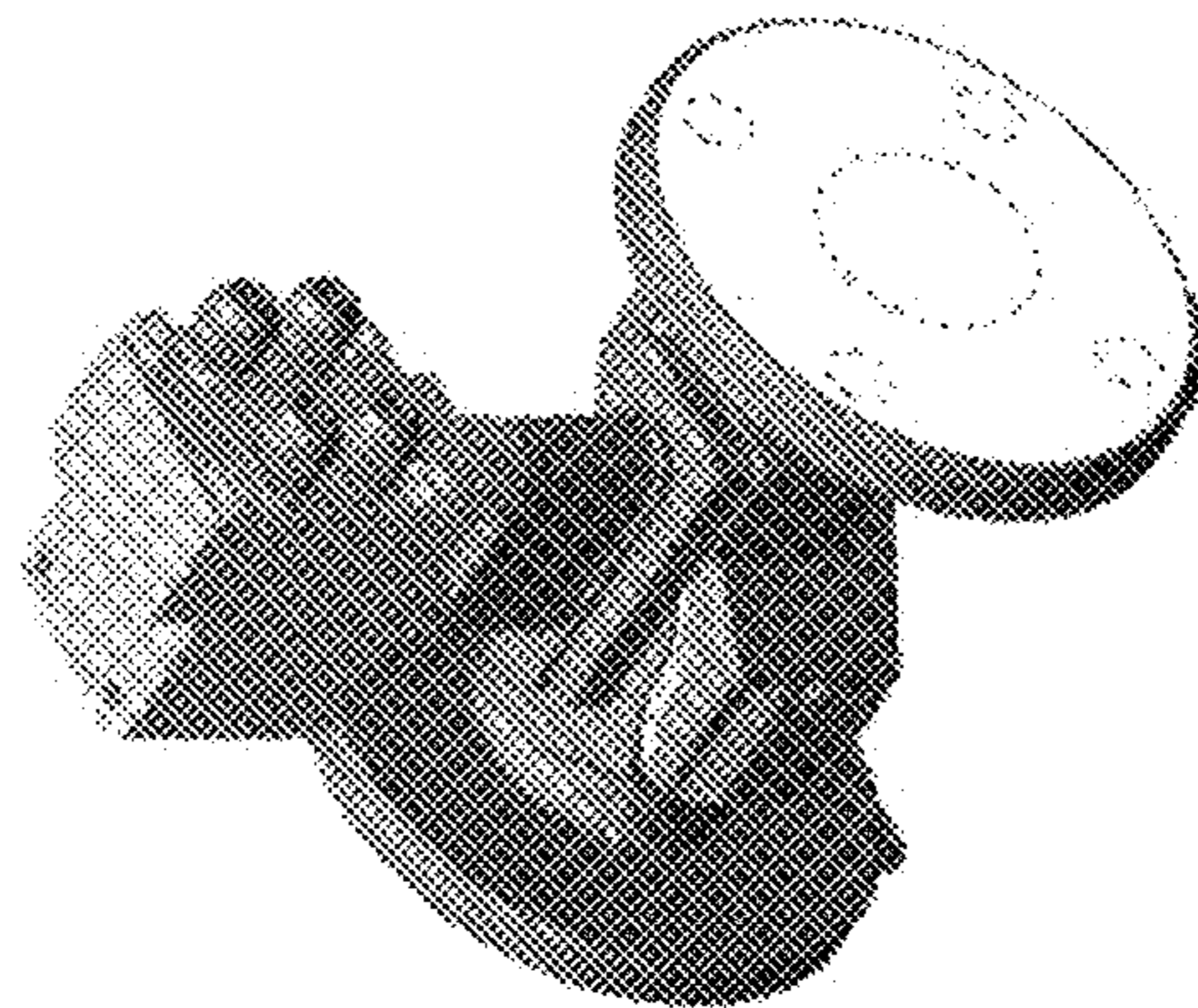


Figure 8