



US00D842730S

(12) **United States Design Patent**
Sato et al.

(10) **Patent No.:** **US D842,730 S**
(45) **Date of Patent:** **** Mar. 12, 2019**

(54) **LOAD DETECTOR FOR BED**

(71) Applicant: **MINEBEA MITSUMI Inc.**, Nagano (JP)

(72) Inventors: **Kunihiko Sato**, Fujisawa (JP); **Shotaro Miyawaki**, Koto (JP)

(73) Assignee: **MINEBEA MITSUMI INC.**, Nagano (JP)

(**) Term: **15 Years**

(21) Appl. No.: **29/610,959**

(22) Filed: **Jul. 18, 2017**

(30) **Foreign Application Priority Data**

Jan. 20, 2017 (JP) 2017-000915

(51) **LOC (11) Cl.** **10-04**

(52) **U.S. Cl.**
USPC **D10/88; D10/94; D10/106.6**

(58) **Field of Classification Search**
USPC D6/383, 708; D10/87, 88, 94, 106.6
CPC A61G 7/0527; G01G 3/12; G01G 3/14;
G01G 3/1402; G01G 19/02; G01G 19/021; G01G 19/022; G01G 19/024;
G01G 19/025; G01G 19/027; G01G 19/03; G01G 19/44; G01G 19/445; G01G 19/46; G01G 23/012
See application file for complete search history.

(56) **References Cited**

U.S. PATENT DOCUMENTS

D181,891 S * 1/1958 Walborn D10/87
D252,861 S * 9/1979 Potts D10/94

D449,244 S * 10/2001 Ginzel D10/106.6
D554,913 S * 11/2007 Magnusson D6/708
7,795,573 B2 * 9/2010 Sprafke H01L 27/14683
250/208.1
D693,256 S * 11/2013 Chan D10/85
D711,258 S * 8/2014 Jacobs D10/70
9,279,712 B2 * 3/2016 Kroll G01G 3/14
9,354,105 B2 * 5/2016 Kroll G01G 21/28
D818,382 S * 5/2018 Sato D10/87
D818,383 S * 5/2018 Sato D10/87
10,010,467 B2 * 7/2018 Sato A61G 7/0527

* cited by examiner

Primary Examiner — Antoine Duval Davis

(74) *Attorney, Agent, or Firm* — Pearne & Gordon LLP

(57) **CLAIM**

The ornamental design for a load detector for bed, as shown and described.

DESCRIPTION

FIG. 1 is a front, top and right-side perspective view of a load detector for bed showing our new design; FIG. 2 is a rear, top and left-side perspective view thereof; FIG. 3 is bottom perspective view thereof; FIG. 4 is a front elevational view thereof; FIG. 5 is a rear elevational view thereof; FIG. 6 is a right side elevational view thereof, the left-side elevational view is a mirror image; FIG. 7 is a top plan view thereof; and, FIG. 8 is a bottom plan view thereof.

1 Claim, 7 Drawing Sheets

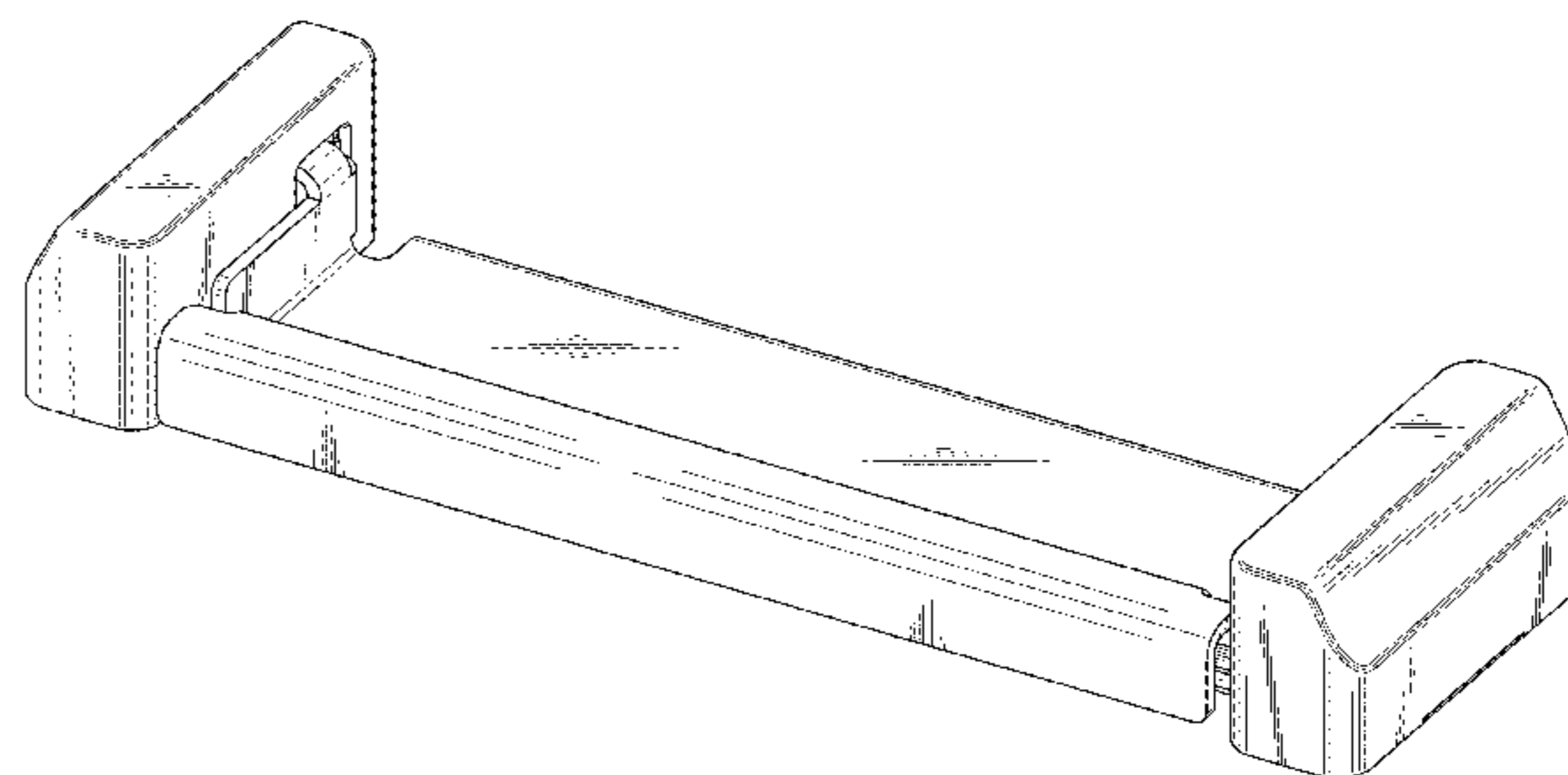
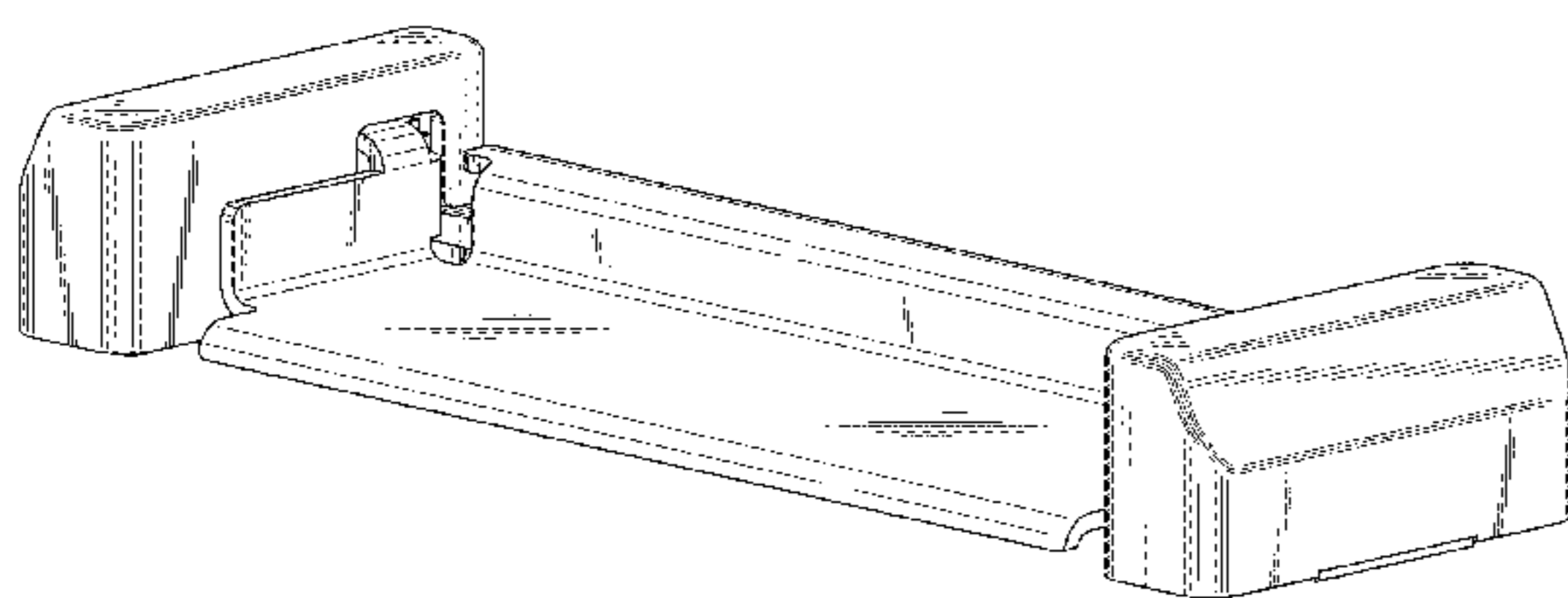


FIG. 1

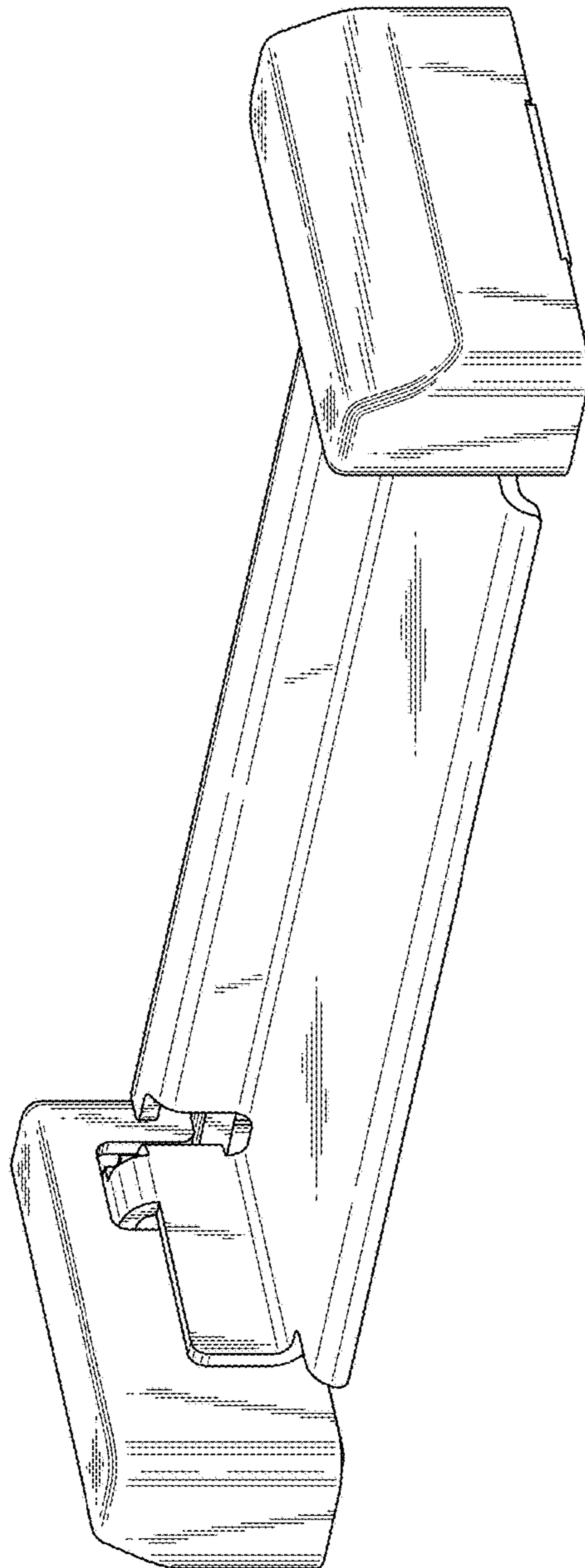


FIG. 2

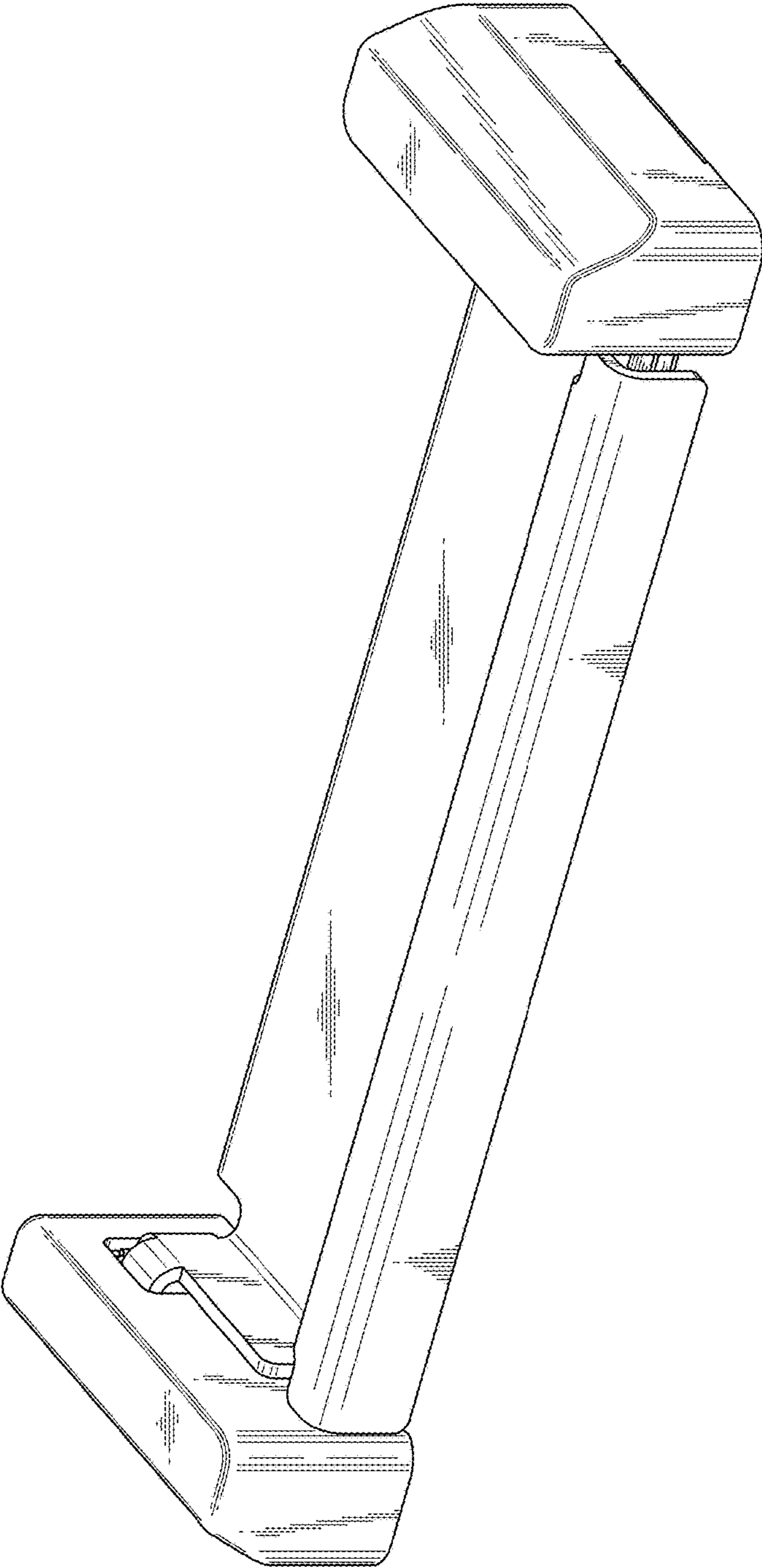


FIG. 3

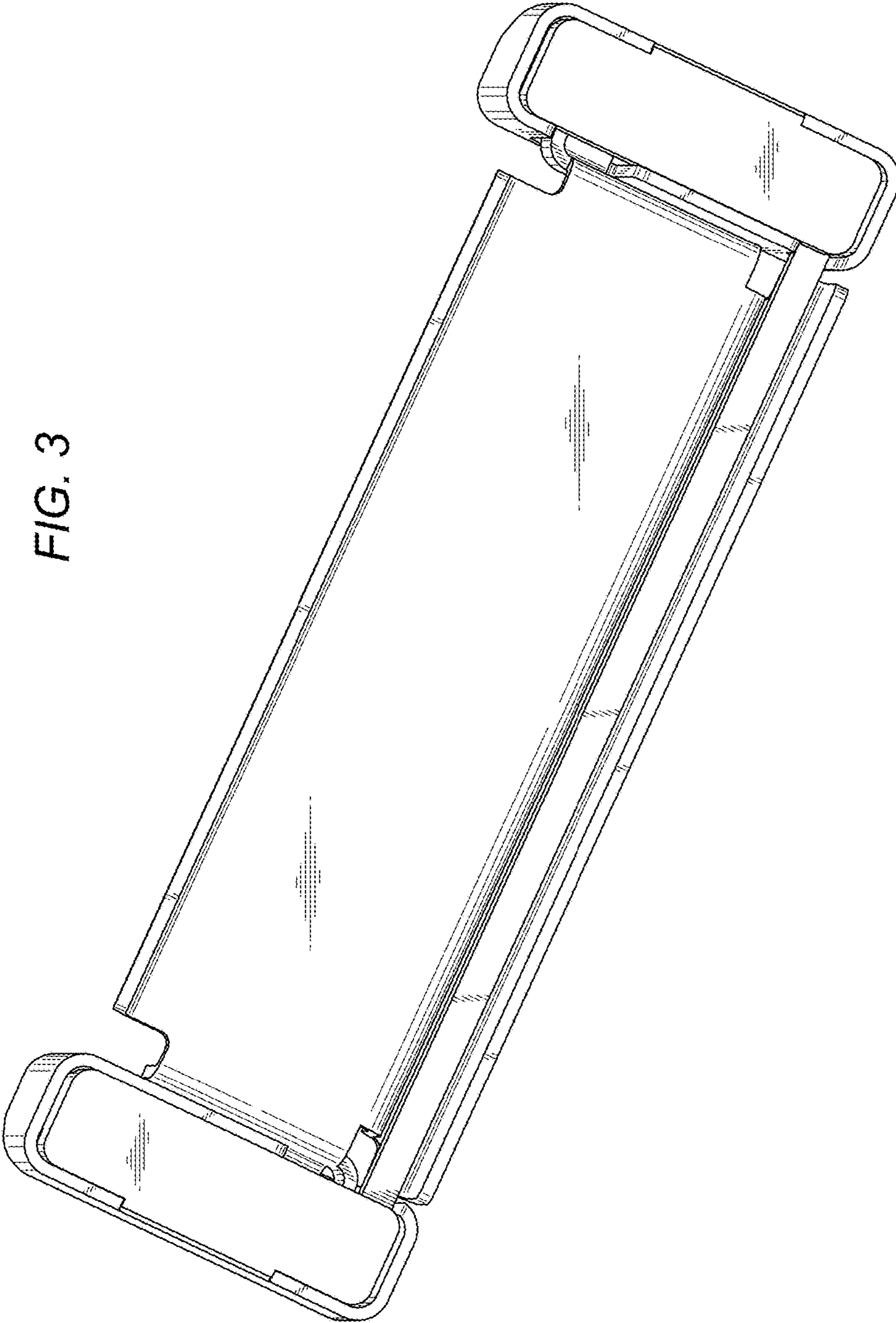


FIG. 4

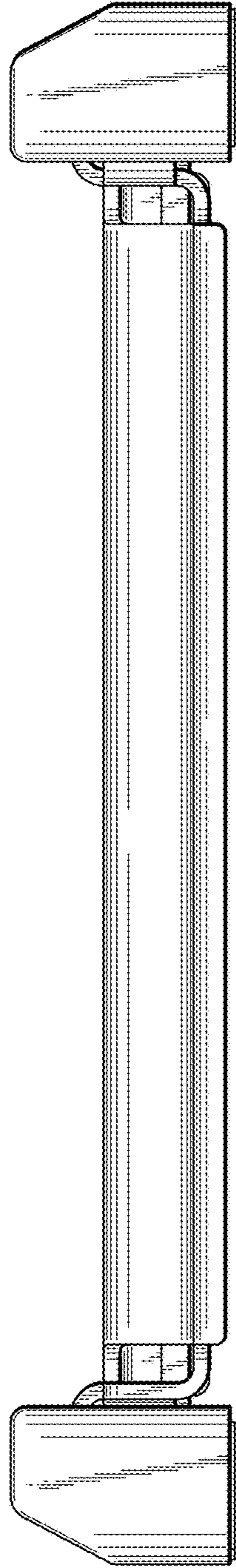


FIG. 5

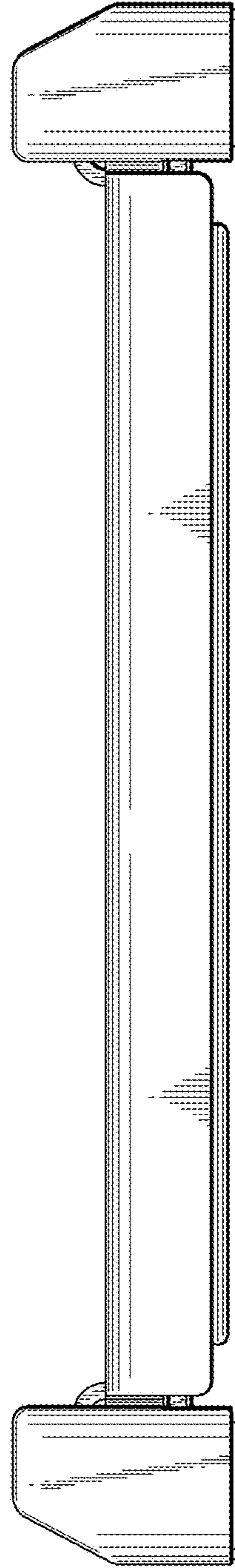


FIG. 6

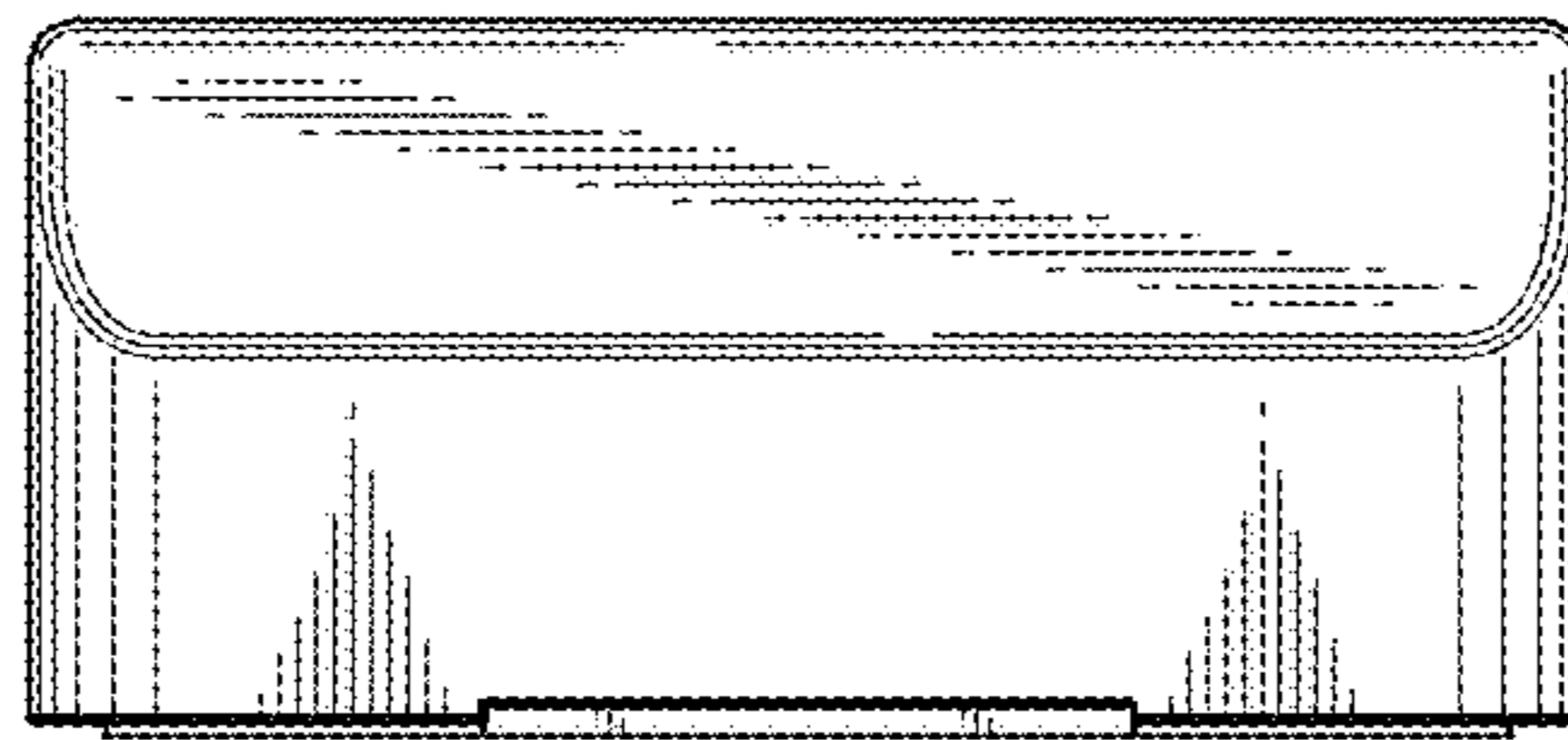


FIG. 7

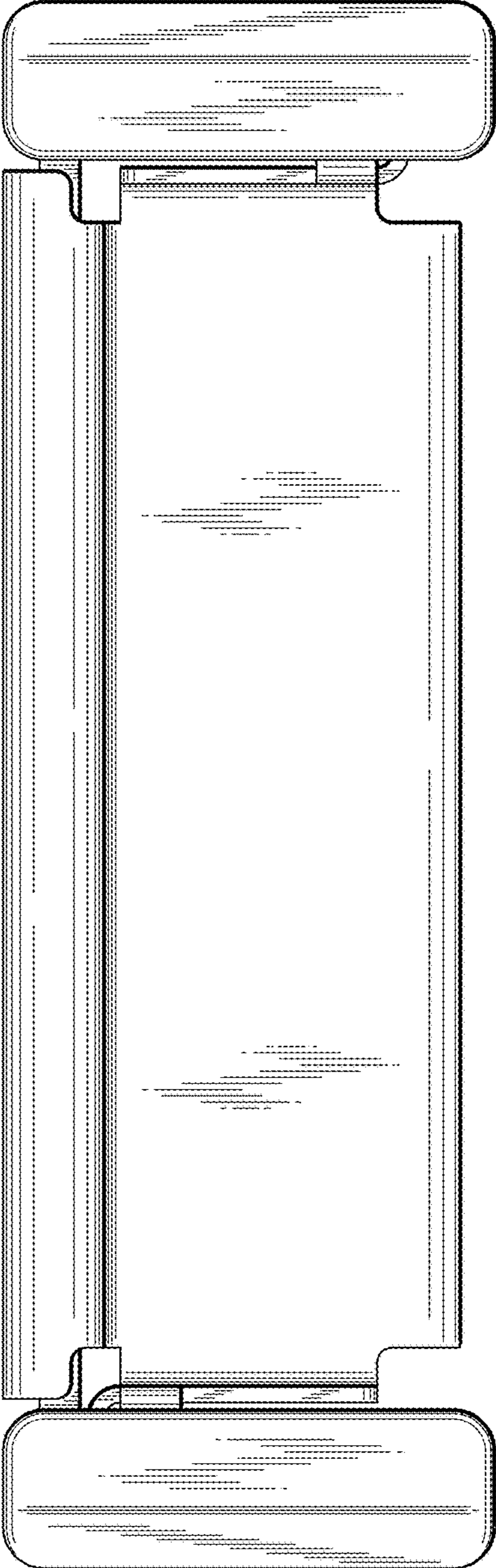


FIG. 8

