



US00D842729S

(12) **United States Design Patent**
Sato et al.

(10) **Patent No.:** **US D842,729 S**
(45) **Date of Patent:** **** Mar. 12, 2019**

(54) **LOAD DETECTOR FOR BED**

(71) Applicant: **MINEBEA MITSUMI Inc.**, Nagano (JP)

(72) Inventors: **Kunihiko Sato**, Fujisawa (JP); **Shotaro Miyawaki**, Koto (JP)

(73) Assignee: **MINEBEA MITSUMI INC.**, Nagano (JP)

(**) Term: **15 Years**

(21) Appl. No.: **29/610,868**

(22) Filed: **Jul. 17, 2017**

(30) **Foreign Application Priority Data**

Jan. 20, 2017 (JP) 2017-000917

(51) **LOC (11) Cl.** **10-04**

(52) **U.S. Cl.**
USPC **D10/88**; D10/94; D10/106.6

(58) **Field of Classification Search**
USPC D6/383, 708; D10/87, 88, 94, 106.6
CPC A61G 7/0527; G01G 3/12; G01G 3/14; G01G 3/1402; G01G 19/02; G01G 19/021; G01G 19/022; G01G 19/024; G01G 19/025; G01G 19/027; G01G 19/03; G01G 19/44; G01G 19/445; G01G 19/46; G01G 23/012

See application file for complete search history.

(56) **References Cited**

U.S. PATENT DOCUMENTS

D181,891 S * 1/1958 Walborn D10/87
D252,861 S * 9/1979 Potts D10/94

D449,244 S * 10/2001 Ginzel D10/106.6
D554,913 S * 11/2007 Magnusson D6/708
7,795,573 B2 * 9/2010 Sprafke H01L 27/14683
250/208.1
D693,256 S * 11/2013 Chan D10/85
D711,258 S * 8/2014 Jacobs D10/70
9,279,712 B2 * 3/2016 Kroll G01G 3/14
9,354,105 B2 * 5/2016 Kroll G01G 21/28
D818,382 S * 5/2018 Sato D10/87
D818,383 S * 5/2018 Sato D10/87
10,010,467 B2 * 7/2018 Sato A61G 7/0527

* cited by examiner

Primary Examiner — Antoine Duval Davis

(74) *Attorney, Agent, or Firm* — Pearne & Gordon LLP

(57) **CLAIM**

The ornamental design for a load detector for bed, as shown and described.

DESCRIPTION

FIG. 1 is a front, top and right-side perspective view of a load detector for bed showing our new design; FIG. 2 is a rear, top and left-side perspective view thereof; FIG. 3 is bottom perspective view thereof; FIG. 4 is a front elevational view thereof; FIG. 5 is a rear elevational view thereof; FIG. 6 is a right side elevational view thereof, the left-side elevational view is a mirror image; FIG. 7 is a top plan view thereof; and, FIG. 8 is a bottom plan view thereof.

The evenly spaced broken lines depict portions of the load detector for bed in which the design is embodied that form no part of the claimed design. The dot-dash chain broken lines define the boundary of the claimed design and form no part of the claimed design.

1 Claim, 7 Drawing Sheets

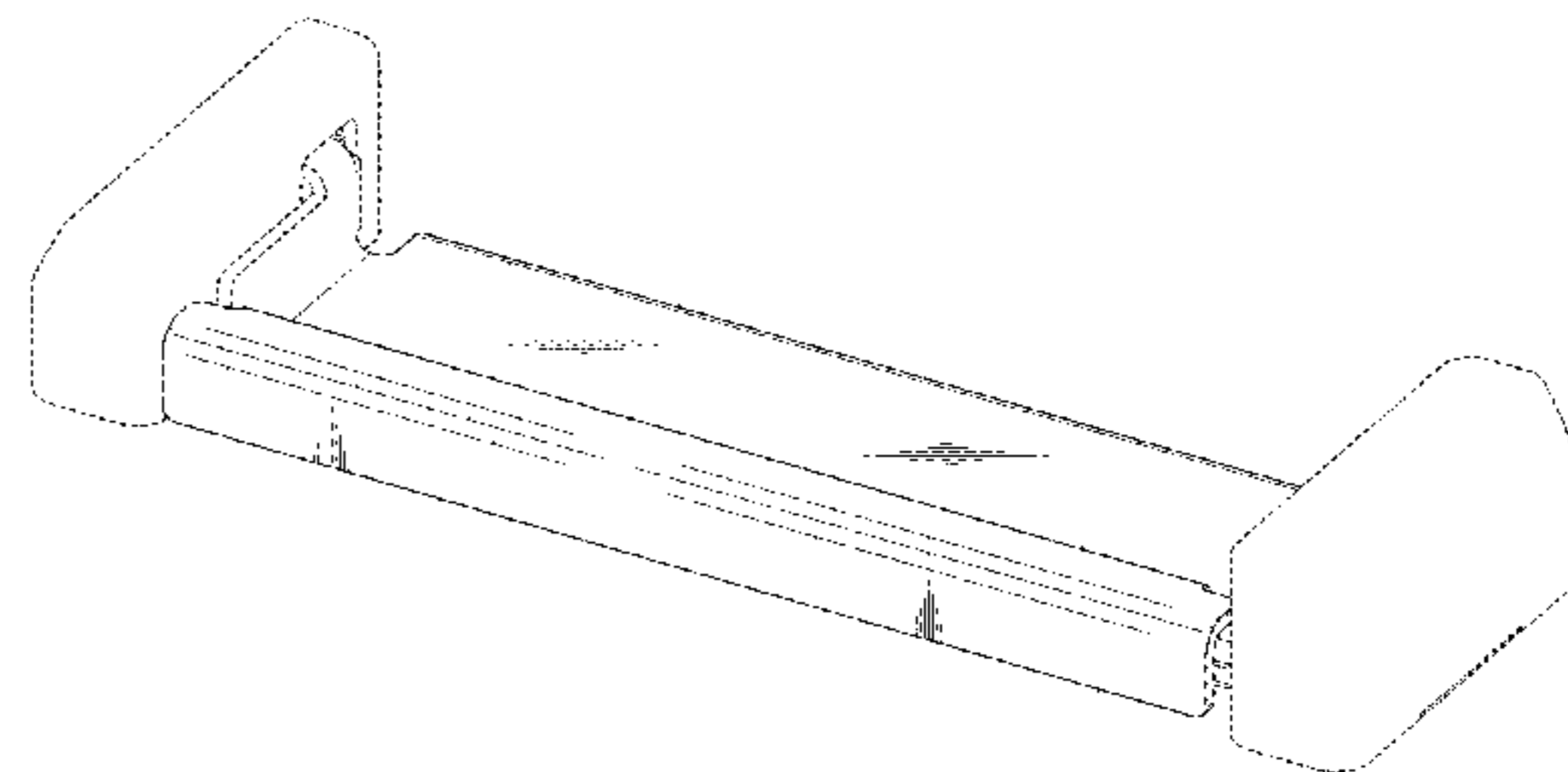
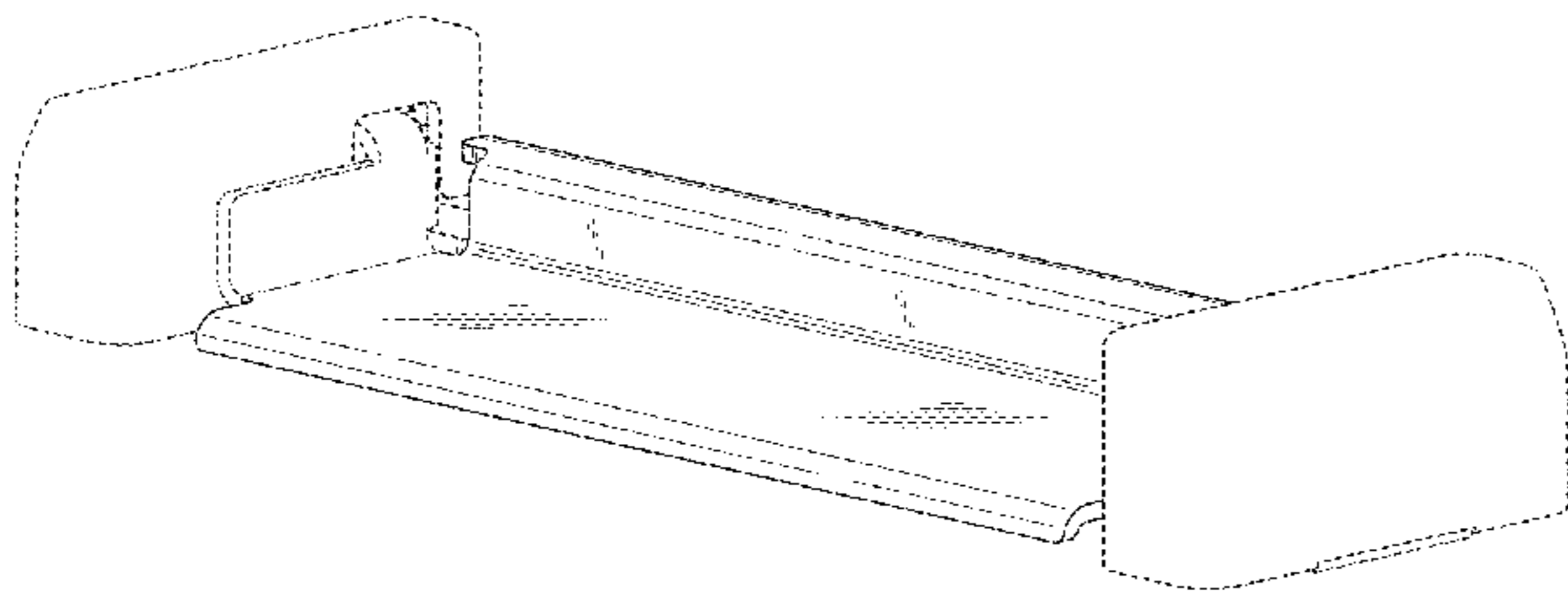


FIG. 1

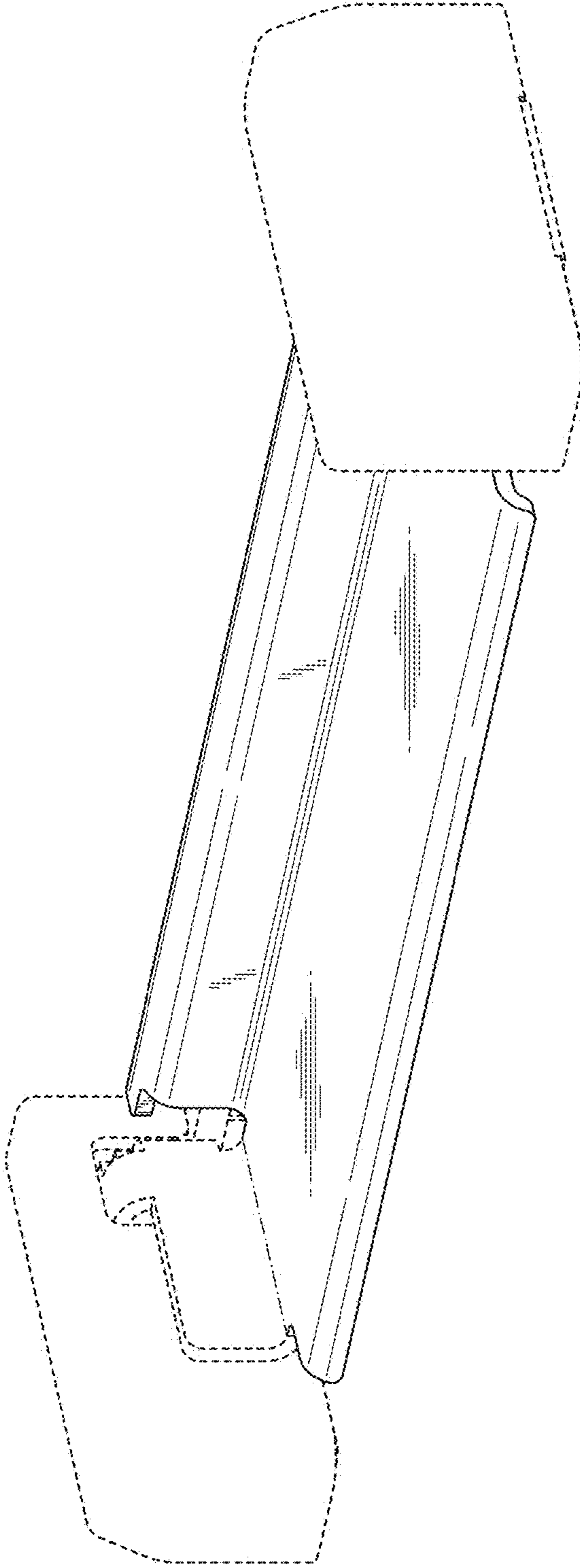
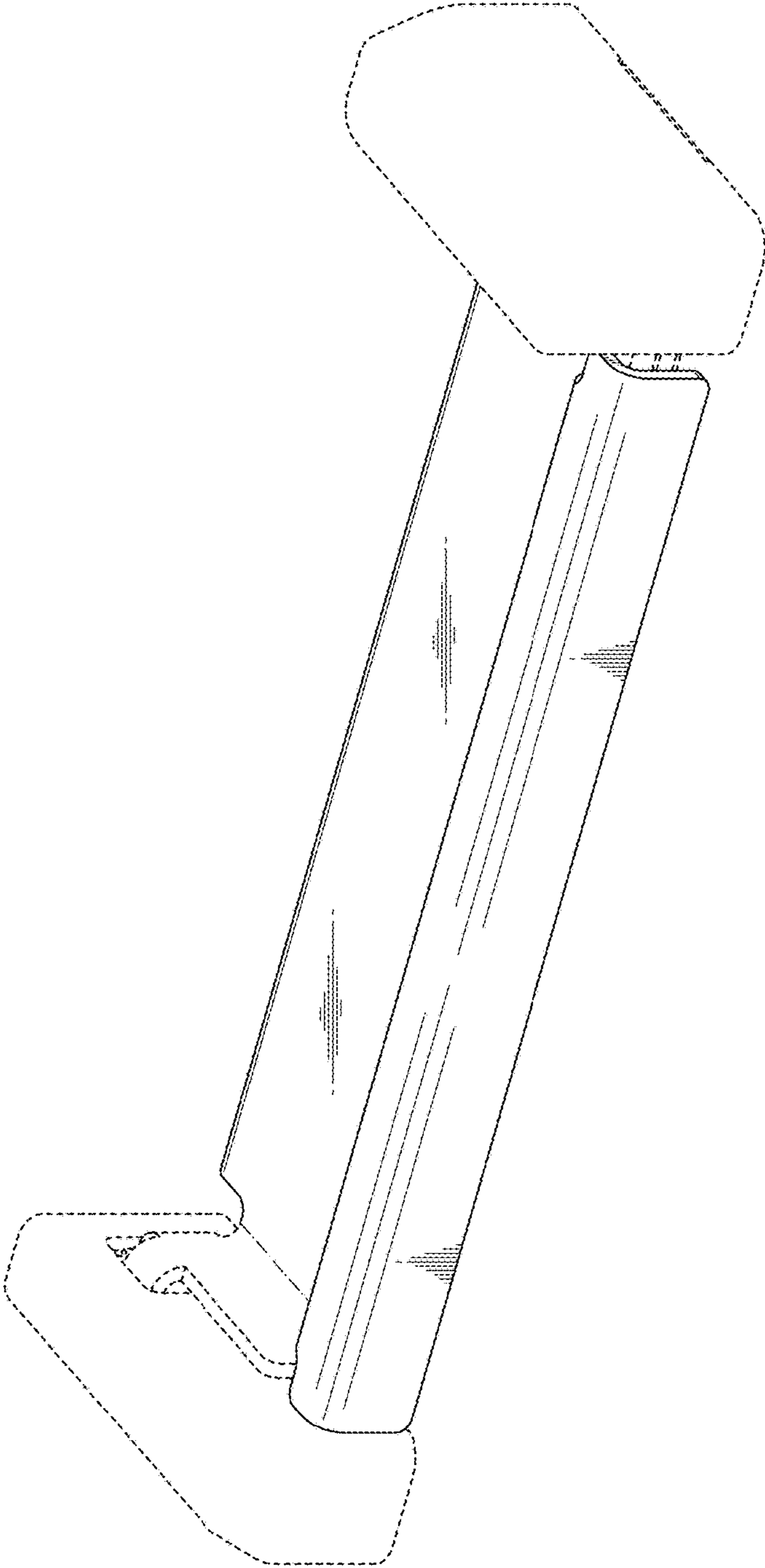


FIG. 2



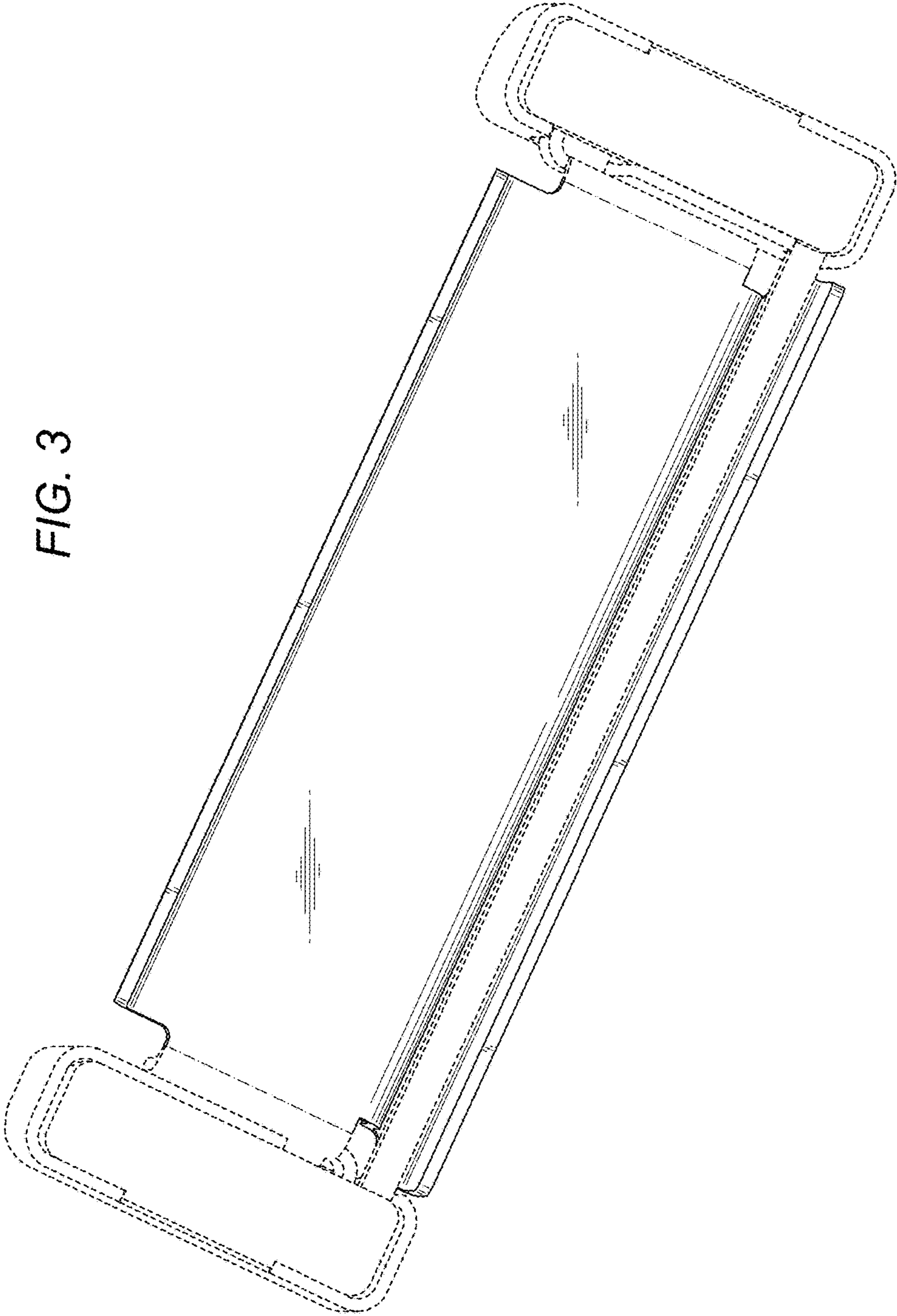


FIG. 3

FIG. 4

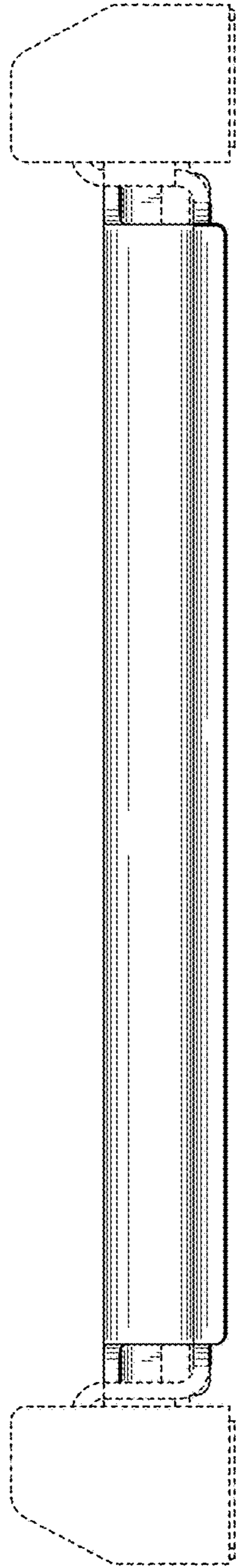


FIG. 5

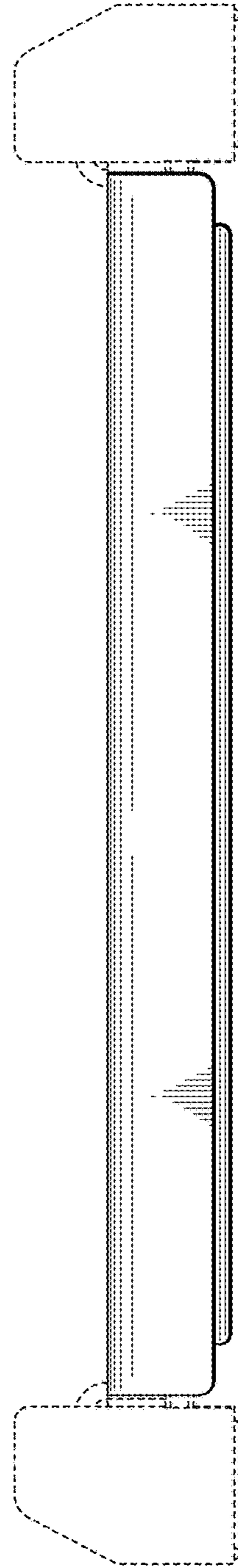


FIG. 6



FIG. 7

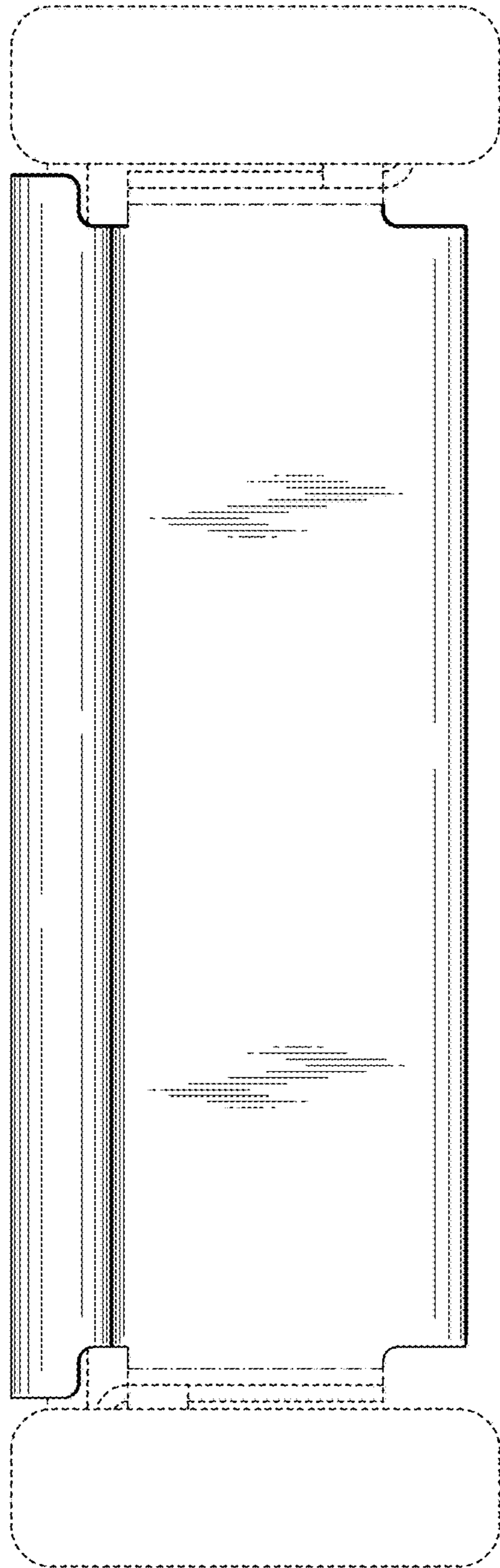


FIG. 8

