



US00D842728S

(12) **United States Design Patent** (10) **Patent No.:** **US D842,728 S**
Surendra (45) **Date of Patent:** **** Mar. 12, 2019**

(54) **IN-TIRE SENSOR**

(71) Applicant: **Tymtix Technologies Pvt. Ltd.,**
Bangalore (IN)

(72) Inventor: **Prabu S. Surendra,** Vellore (IN)

(73) Assignee: **Tymtix Technologies Pvt. Ltd.,**
Bangalore, Kamataka (IN)

(**) Term: **15 Years**

(21) Appl. No.: **29/618,693**

(22) Filed: **Sep. 22, 2017**

Related U.S. Application Data

(63) Continuation of application No. 29/568,425, filed on
Jun. 17, 2016, now Pat. No. Des. 801,836.

(30) **Foreign Application Priority Data**

Jan. 29, 2016 (IN) 279890

(51) **LOC (11) Cl.** **10-04**

(52) **U.S. Cl.**
USPC **D10/86**

(58) **Field of Classification Search**

USPC D10/86

CPC B60C 23/004; B60C 23/06; B60C 23/061;
B60C 23/062; B60C 23/063; B60C
23/064; B60C 23/065; B60C 23/066;
B60C 23/067; B60C 23/068; B60C 23/08;
B60C 23/085; B60C 23/10; B60C 23/12;
B60C 23/14

See application file for complete search history.

(56) **References Cited**

U.S. PATENT DOCUMENTS

D734,188 S * 7/2015 Tsunoda D10/86
D801,836 S * 11/2017 Surendra D10/86

OTHER PUBLICATIONS

Notice of Allowance for U.S. Appl. No. 29/568,425, dated Jul. 28,
2017, 5 pages.

* cited by examiner

Primary Examiner — Antoine Duval Davis

(74) *Attorney, Agent, or Firm* — Withrow & Terranova,
PLLC

(57) **CLAIM**

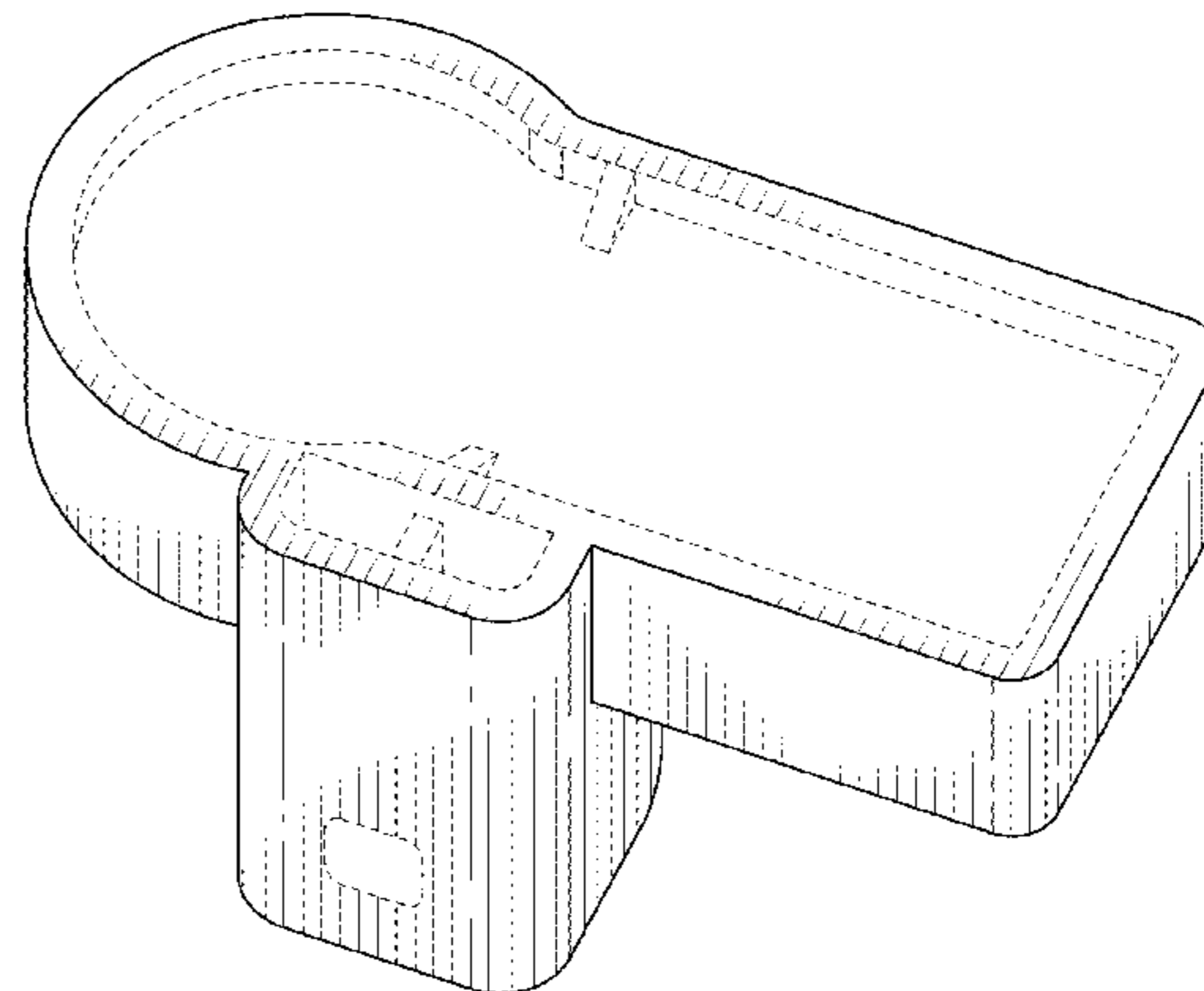
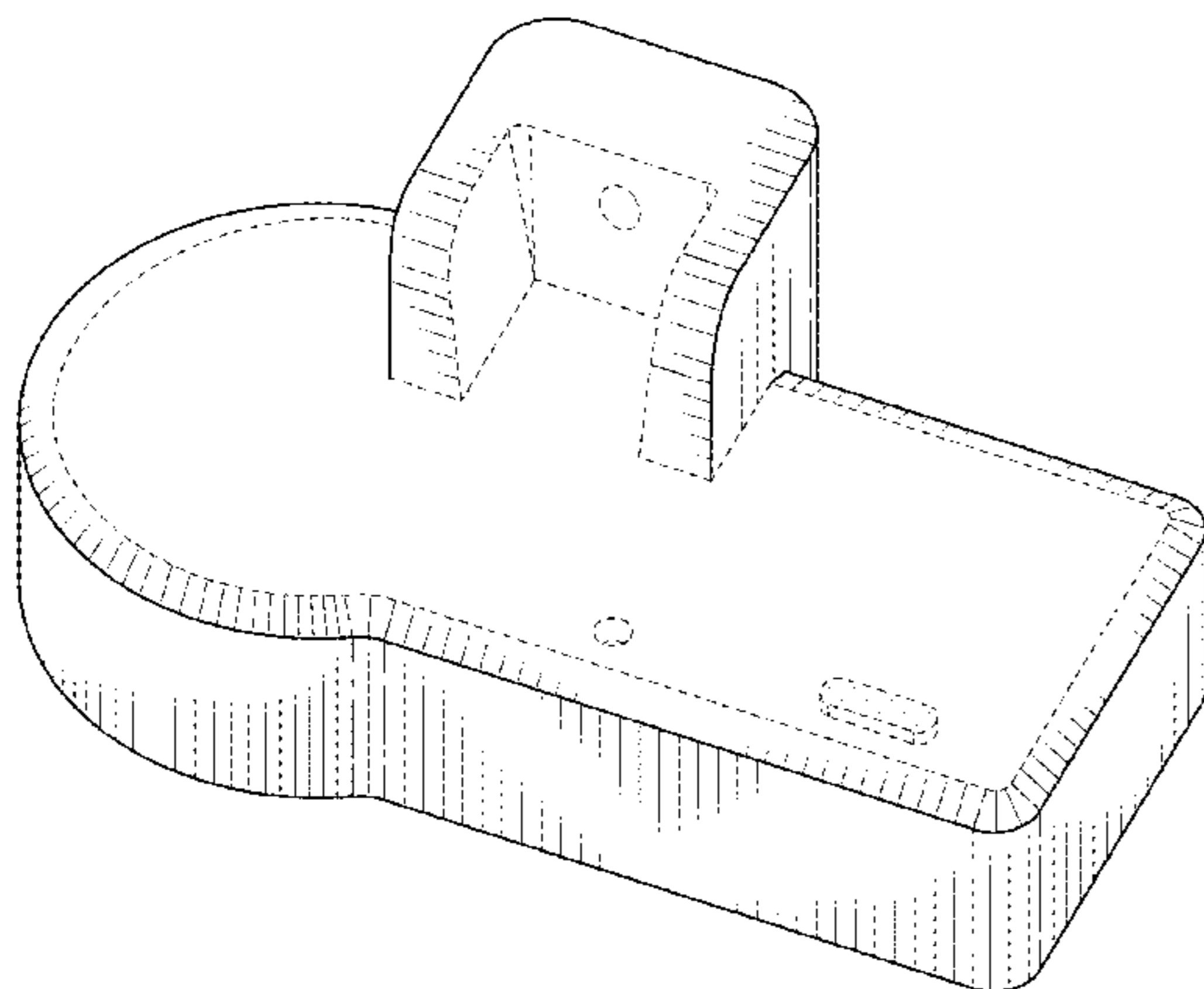
I claim the ornamental design for the in-tire sensor, as
shown.

DESCRIPTION

FIG. 1 is a front perspective view of an in-tire pressure and
condition sensor showing my new design;
FIG. 2 is a back perspective view thereof;
FIG. 3 is a front view thereof;
FIG. 4 is a back view thereof;
FIG. 5 is a left view thereof;
FIG. 6 is a right view thereof;
FIG. 7 is a top view thereof; and,
FIG. 8 is a bottom view thereof.

In the drawings, the broken line showing of environmental
association matter is for illustrative purposes only and forms
no part of the claimed design.

1 Claim, 4 Drawing Sheets



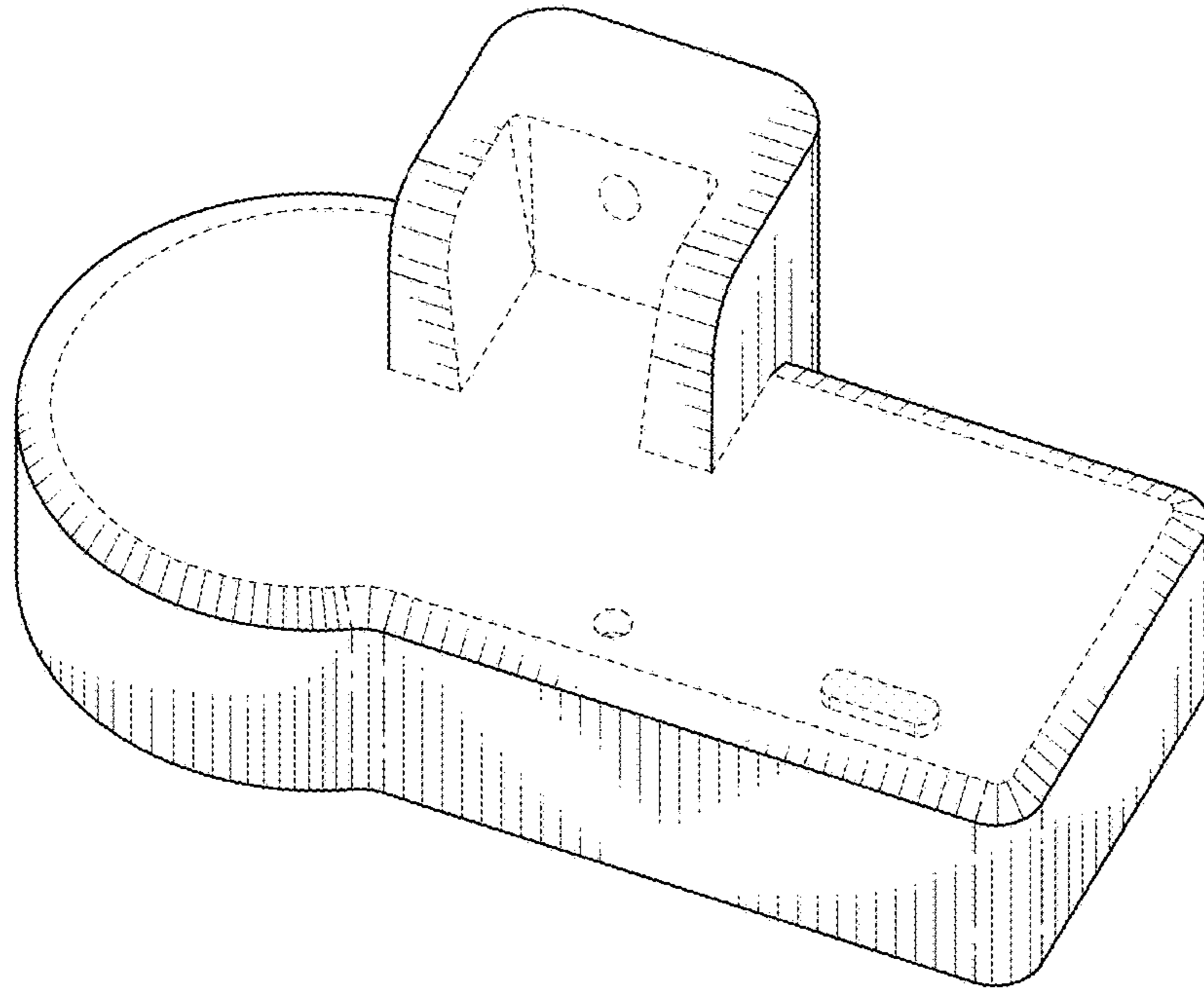


FIG. 1

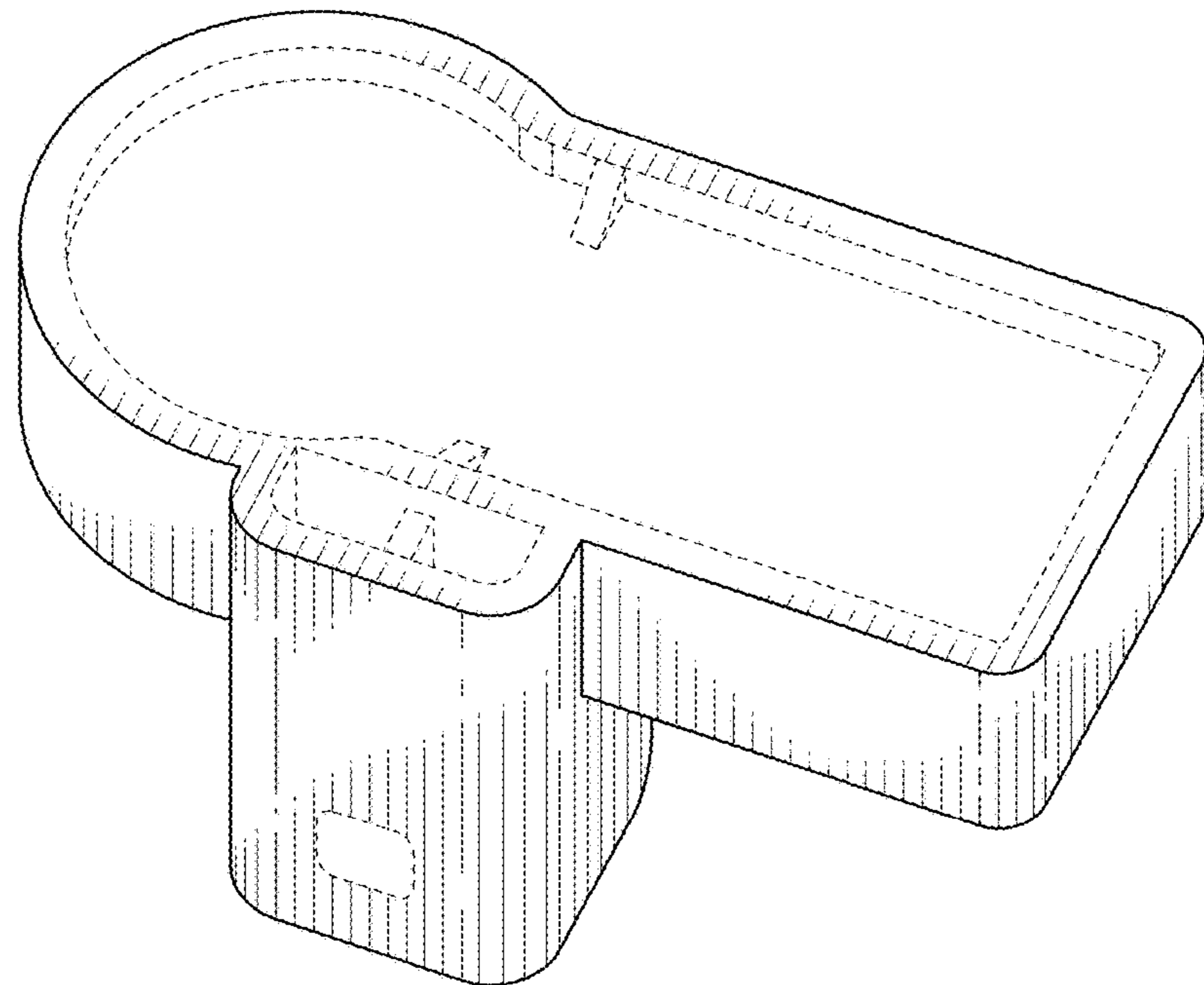


FIG. 2

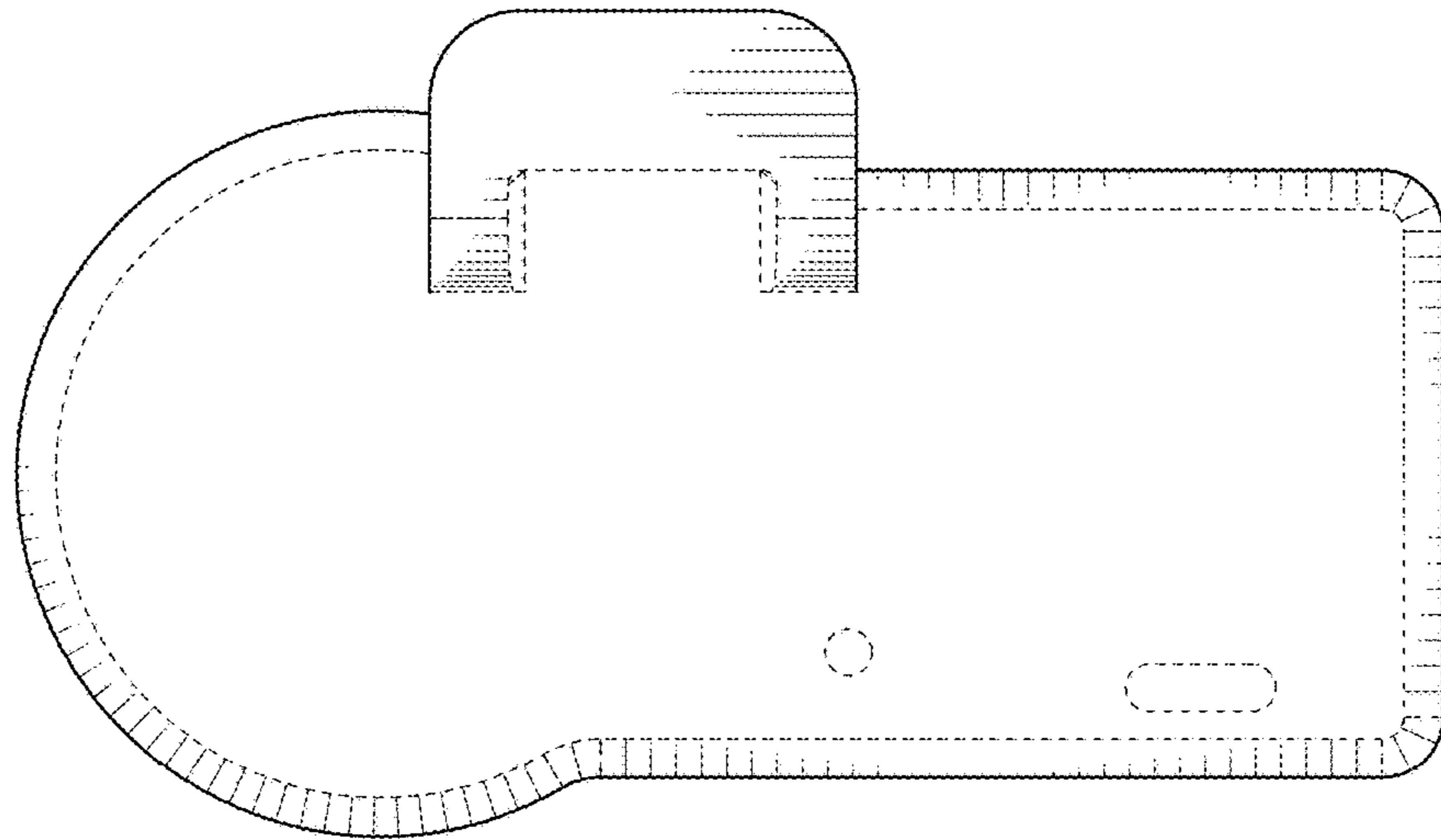


FIG. 3

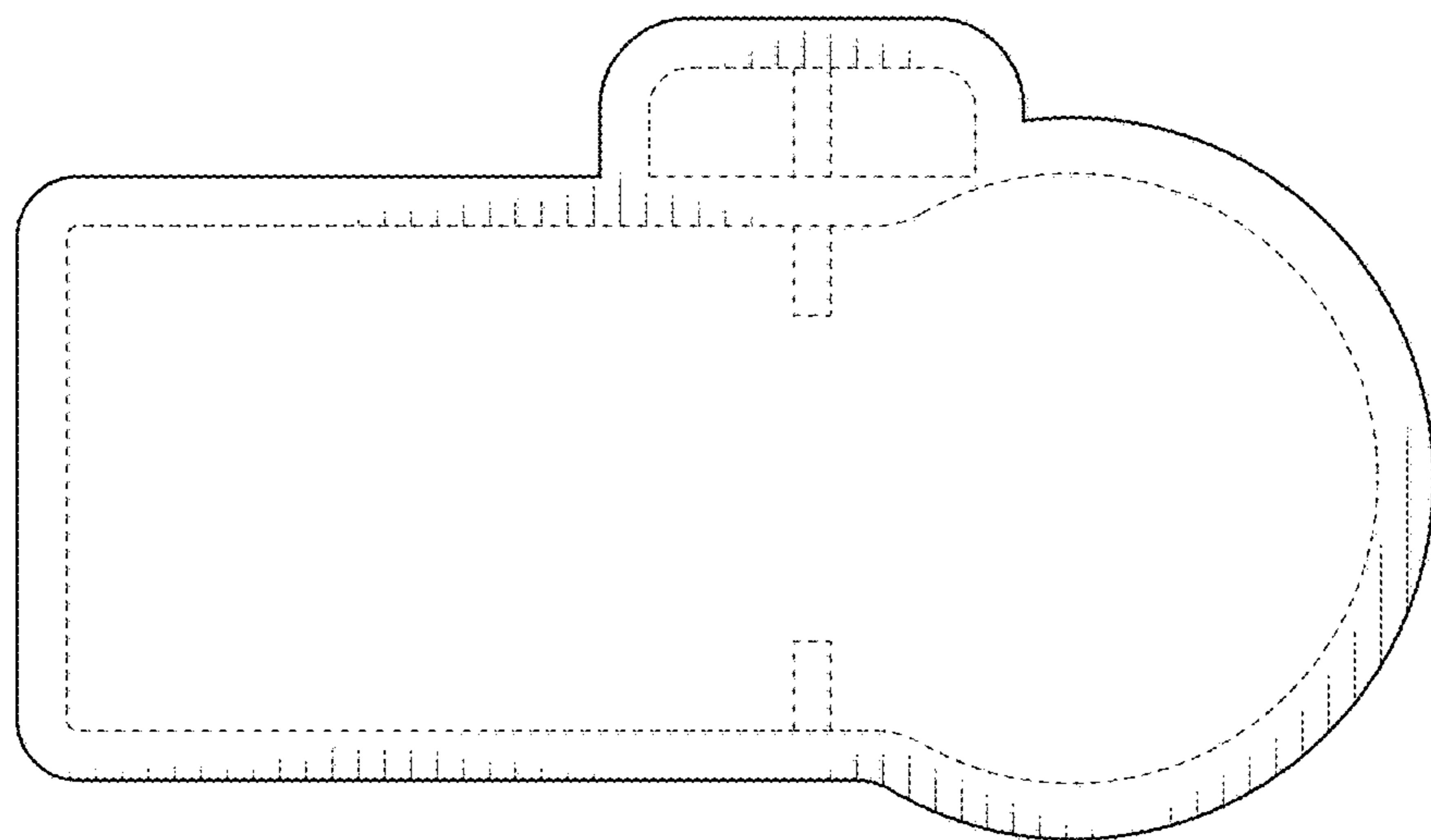


FIG. 4

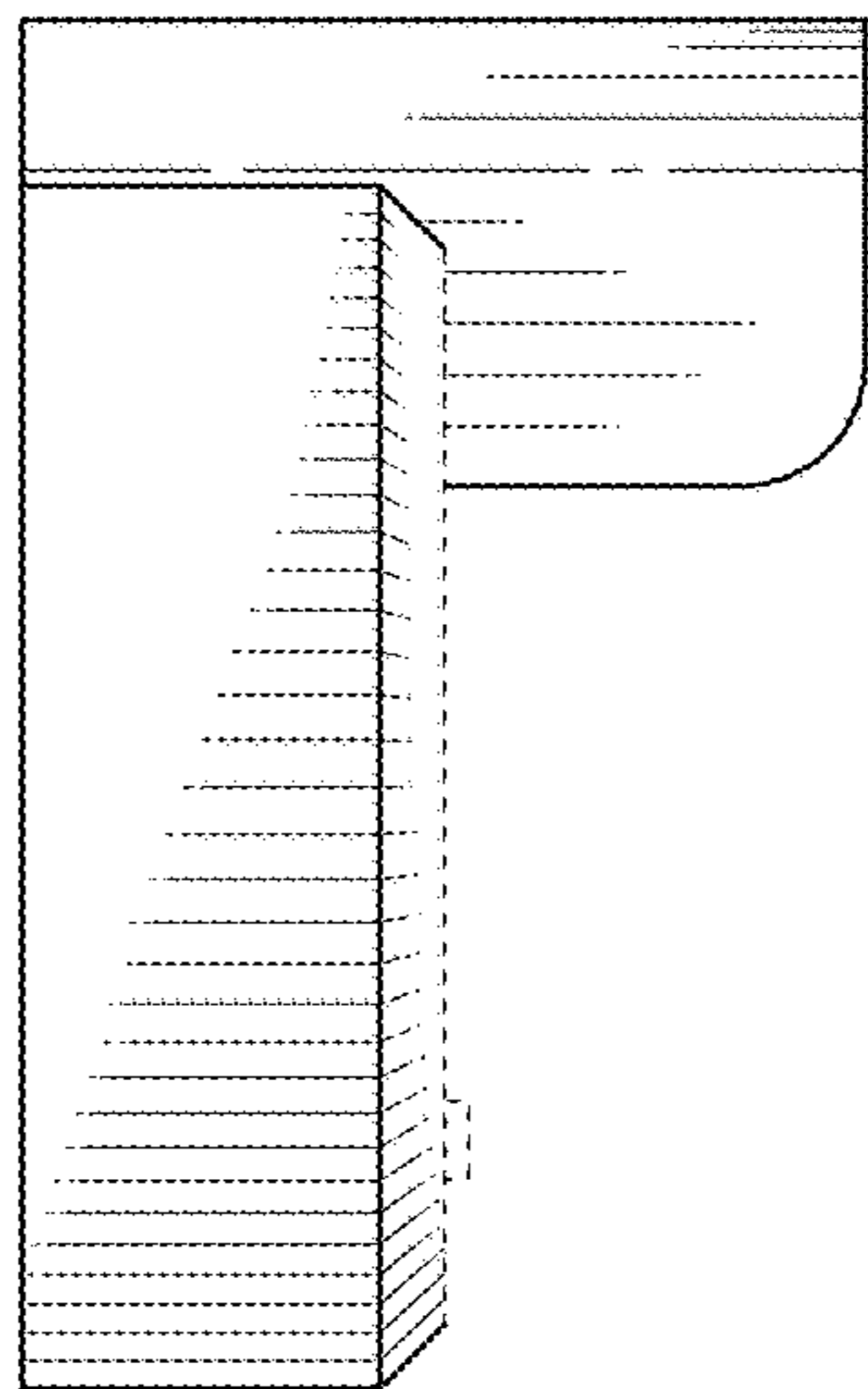


FIG. 5

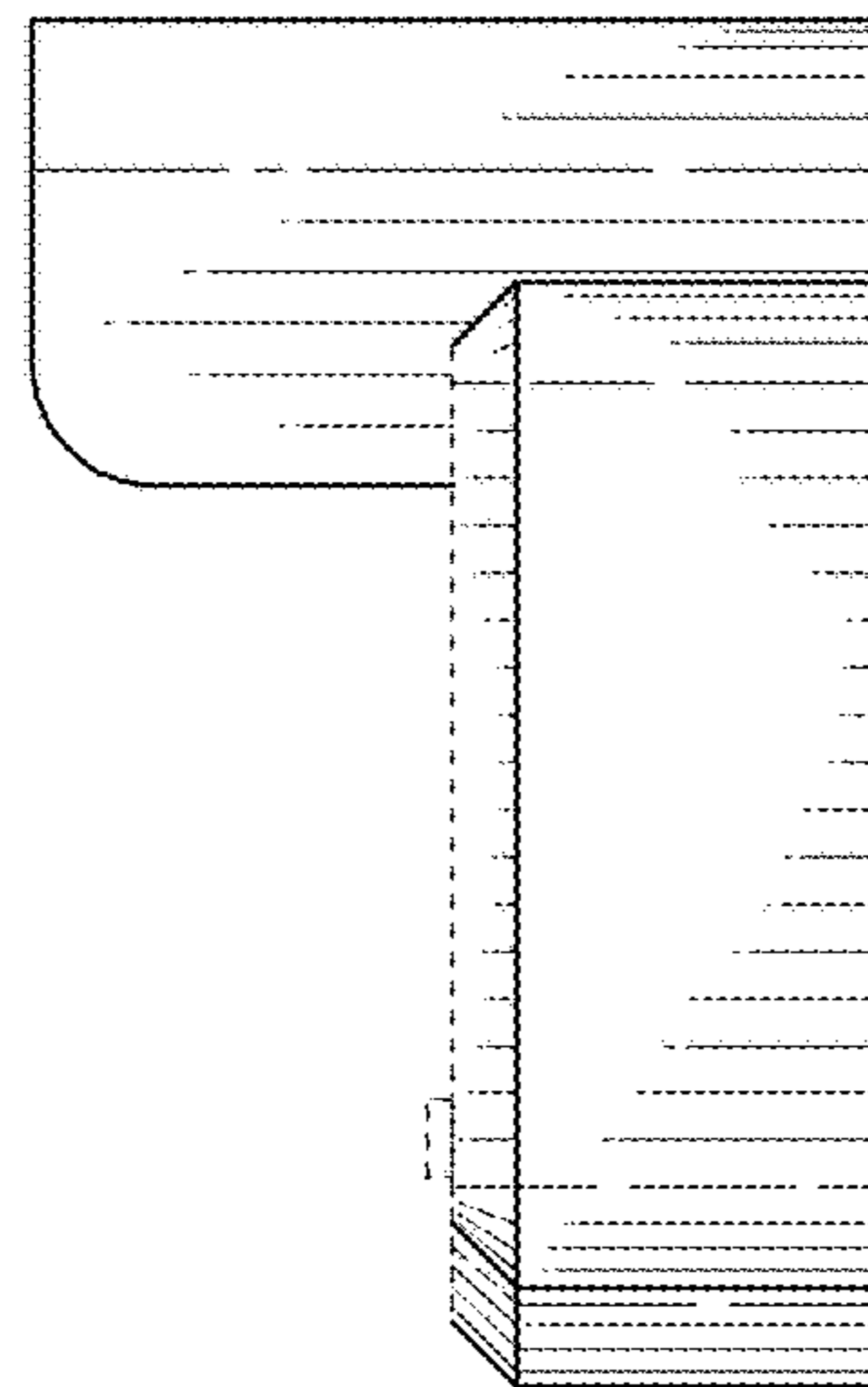


FIG. 6

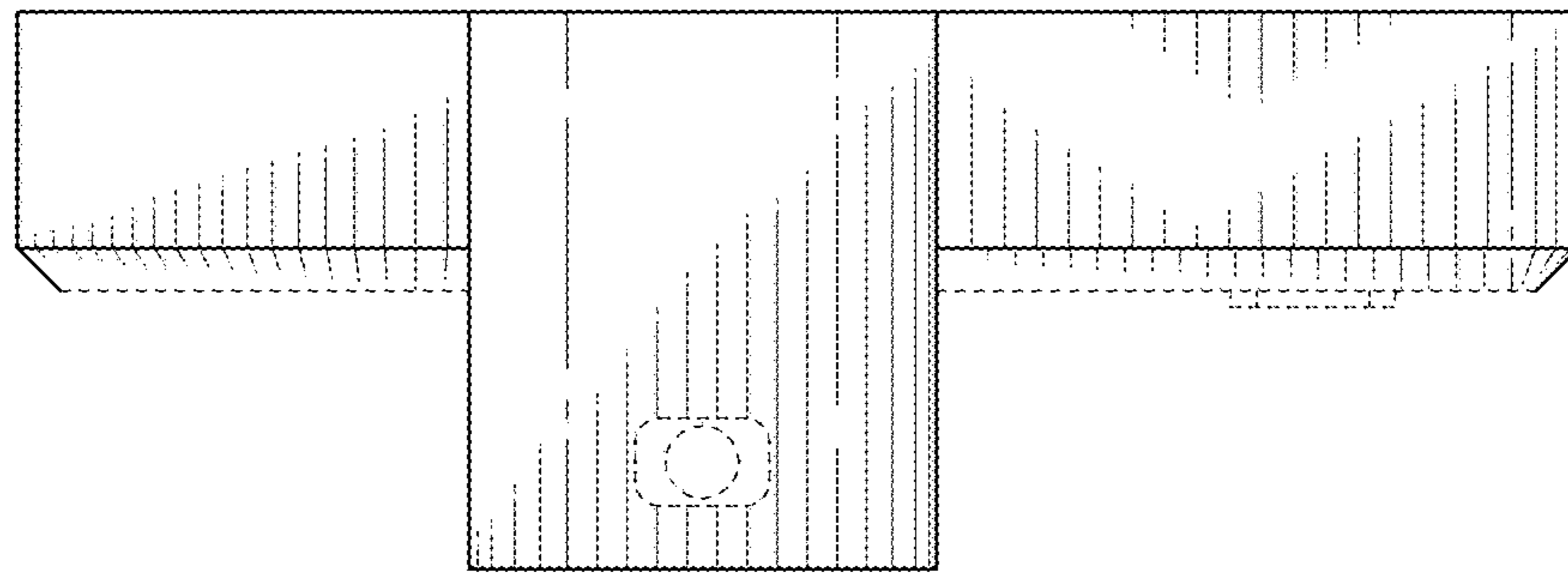


FIG. 7

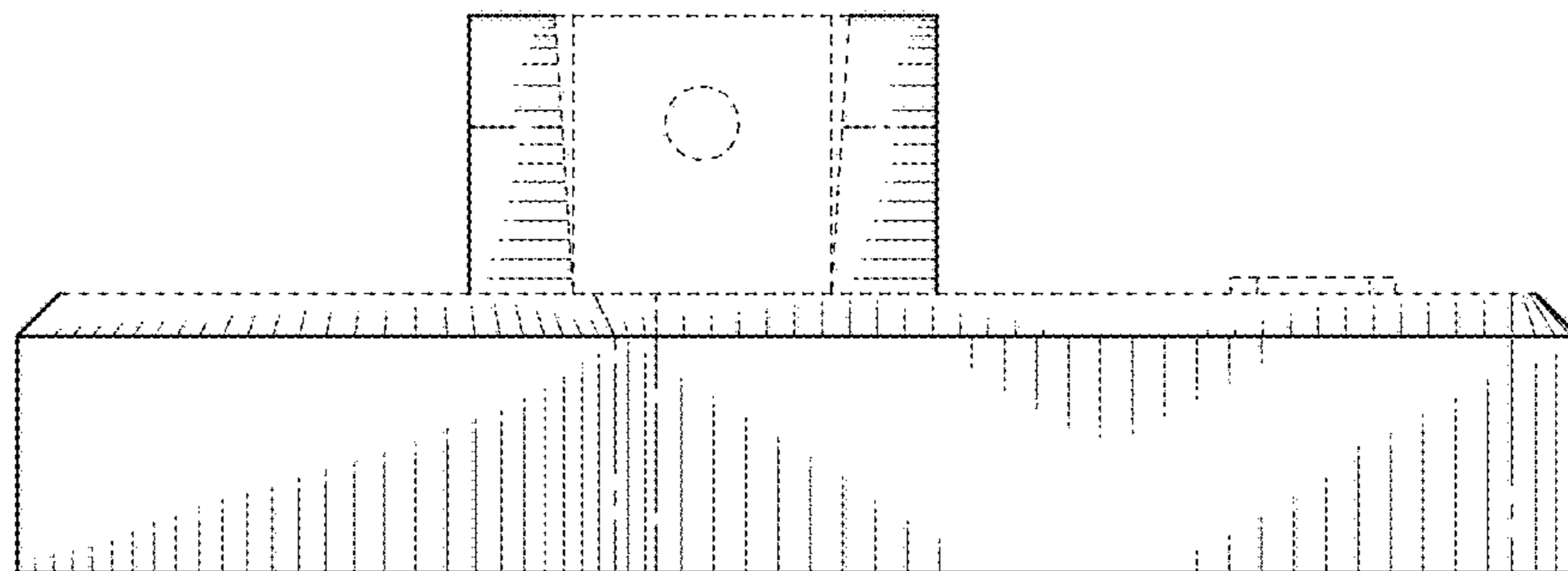


FIG. 8