



US00D842726S

(12) **United States Design Patent**
Weaver et al.

(10) **Patent No.:** **US D842,726 S**
(45) **Date of Patent:** **** Mar. 12, 2019**

(54) **GENERAL AVIATION CARBURETOR TESTING AND ANALYSIS DEVICE**

G01M 15/11; G01M 15/12; F02P 17/00;
F02P 17/08; F02P 2017/006; F02P
2017/08

(71) Applicant: **Weaver Intellectual Property, LLC**,
Spring, TX (US)

See application file for complete search history.

(72) Inventors: **Ronald J. Weaver**, Jupiter, FL (US);
Dale Ballenger, Jupiter, FL (US); **Chad Szwarnowicz**, Jupiter, FL (US)

(56) **References Cited**

U.S. PATENT DOCUMENTS

5,063,515 A * 11/1991 Kunst F02P 17/08
701/101
D329,819 S * 9/1992 Bottcher D10/46

(73) Assignee: **Weaver Intellectual Property, LLC**,
Spring, TX (US)

* cited by examiner

(**) Term: **15 Years**

Primary Examiner — Antoine Duval Davis

(21) Appl. No.: **29/616,087**

(74) *Attorney, Agent, or Firm* — McHale & Slavin, P.A.

(22) Filed: **Sep. 1, 2017**

(57) **CLAIM**

The ornamental design for a general aviation carburetor testing and analysis device, as shown and described.

(51) **LOC (11) Cl.** **10-04**

DESCRIPTION

(52) **U.S. Cl.**

USPC **D10/75**

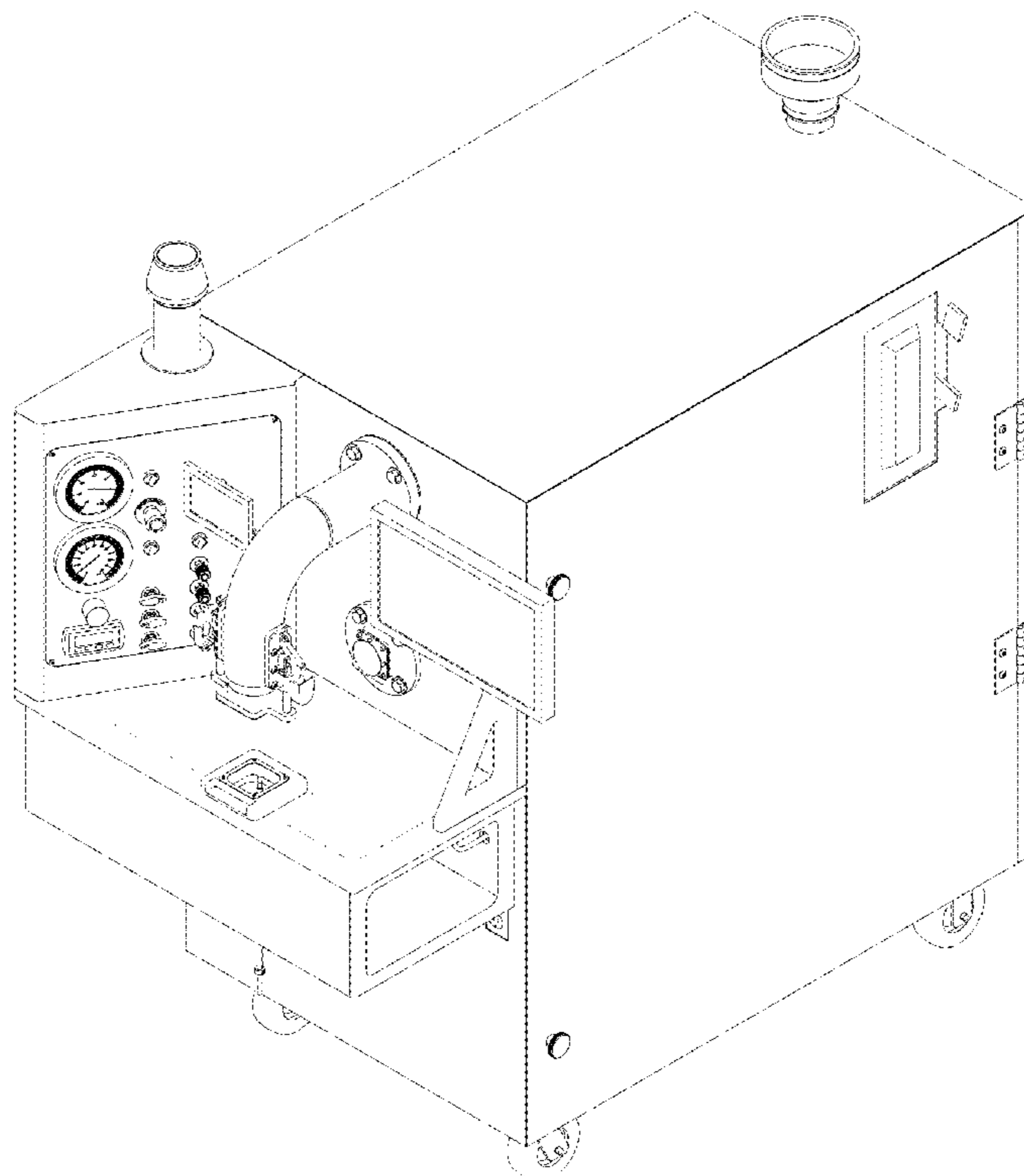
(58) **Field of Classification Search**

USPC D10/46, 75

CPC G01M 15/14; G01M 15/00; G01M 15/04;
G01M 15/05; G01M 15/042; G01M
15/044; G01M 15/046; G01M 15/048;
G01M 15/06; G01M 15/08; G01M 15/09;
G01M 15/10; G01M 15/102; G01M
15/104; G01M 15/106; G01M 15/108;

FIG. 1 is front view of the general aviation carburetor testing and analysis device of the instant invention;
FIG. 2 is a left side view thereof;
FIG. 3 is a right side view thereof;
FIG. 4 is a back side view thereof;
FIG. 5 is a top view thereof;
FIG. 6 is a bottom view thereof; and,
FIG. 7 is a perspective view thereof.

1 Claim, 7 Drawing Sheets



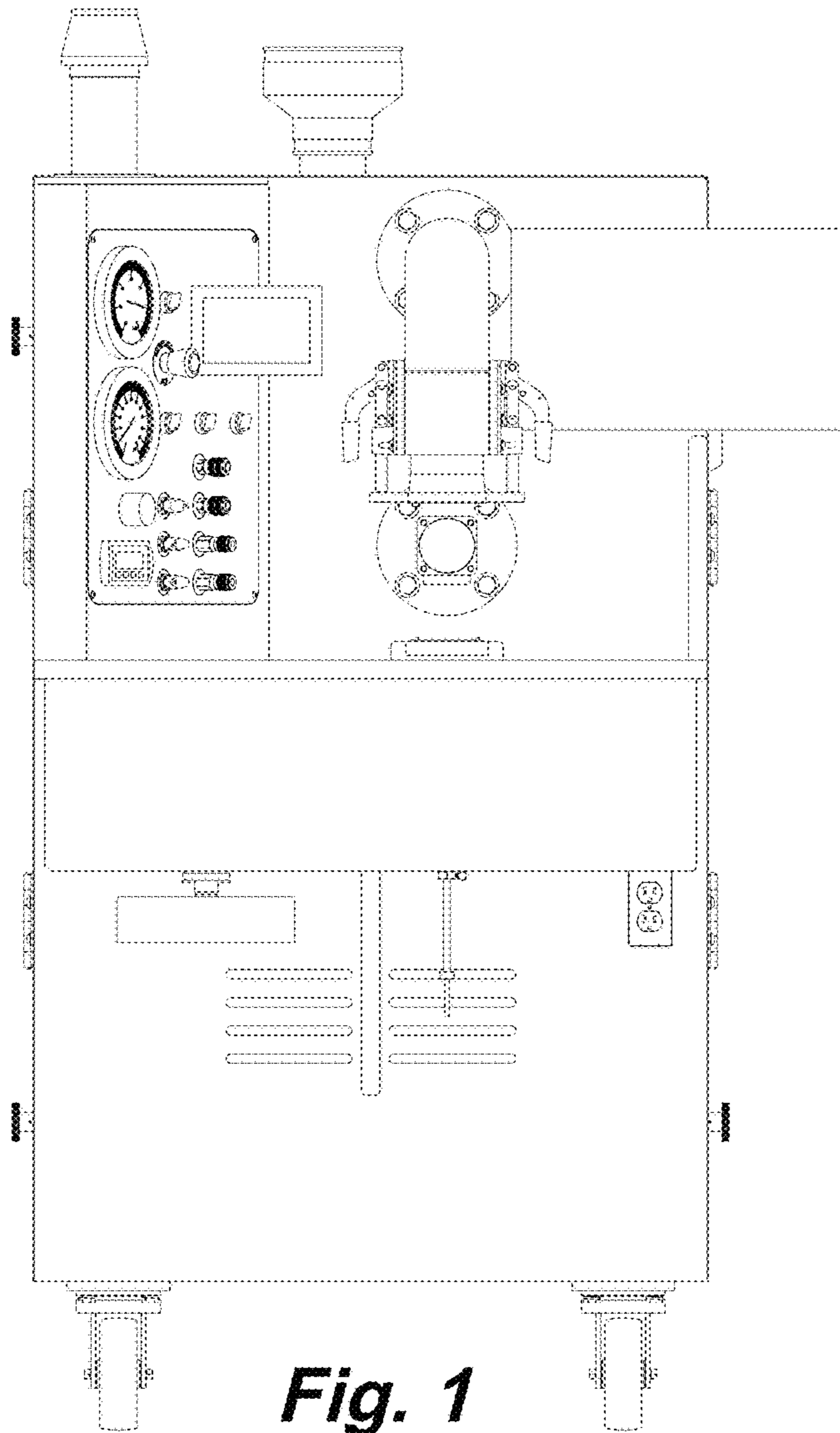


Fig. 1

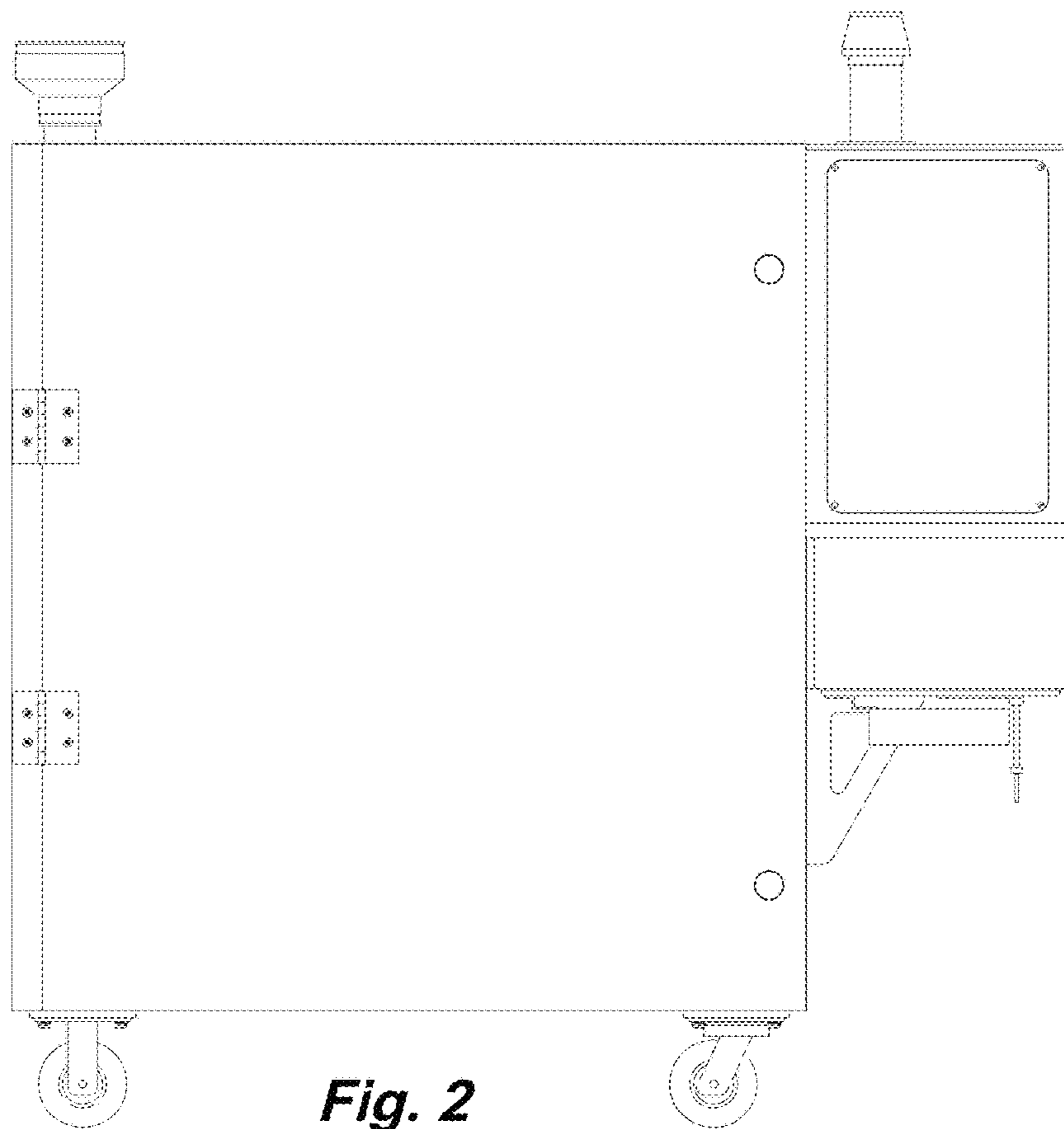


Fig. 2

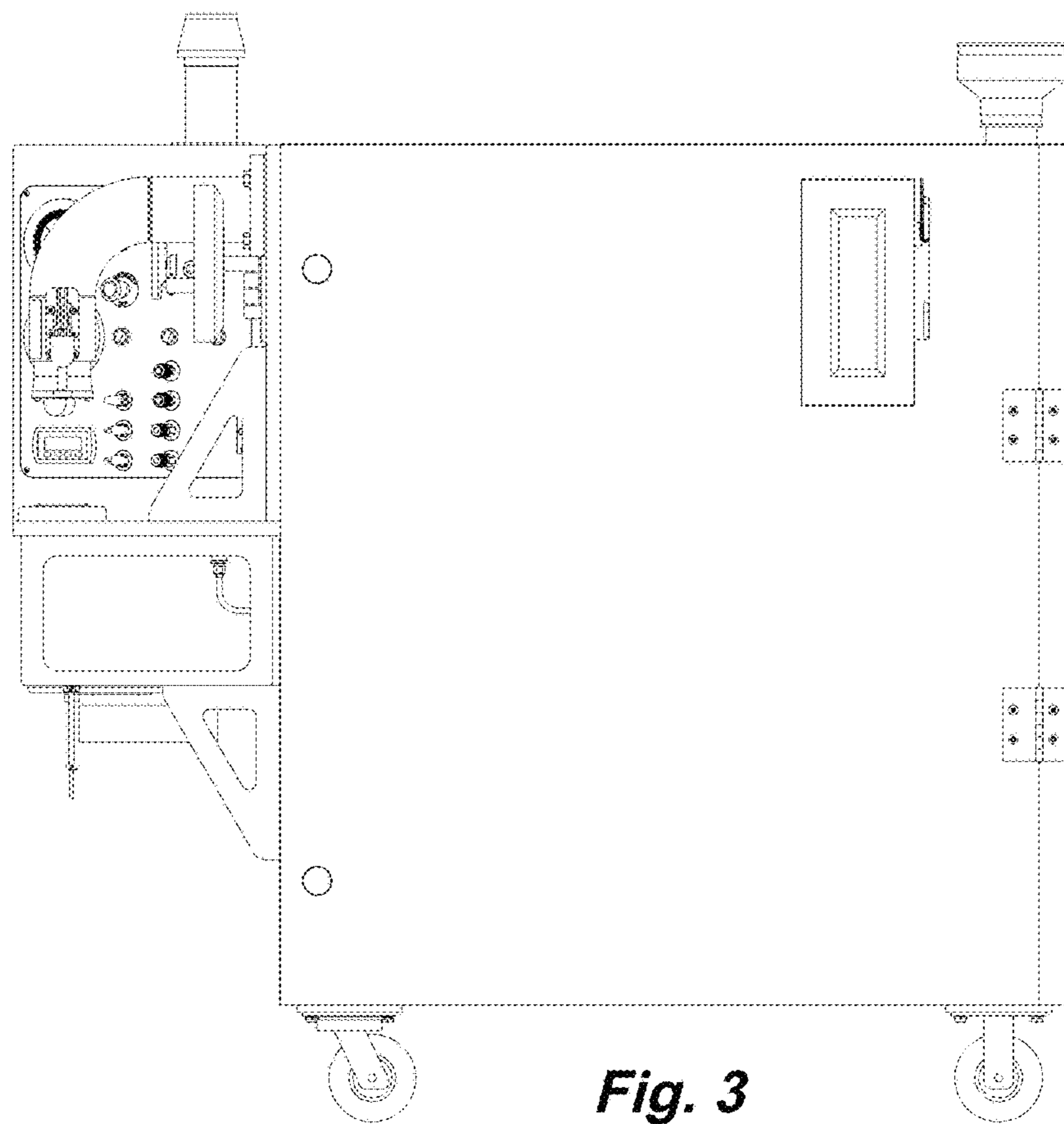


Fig. 3

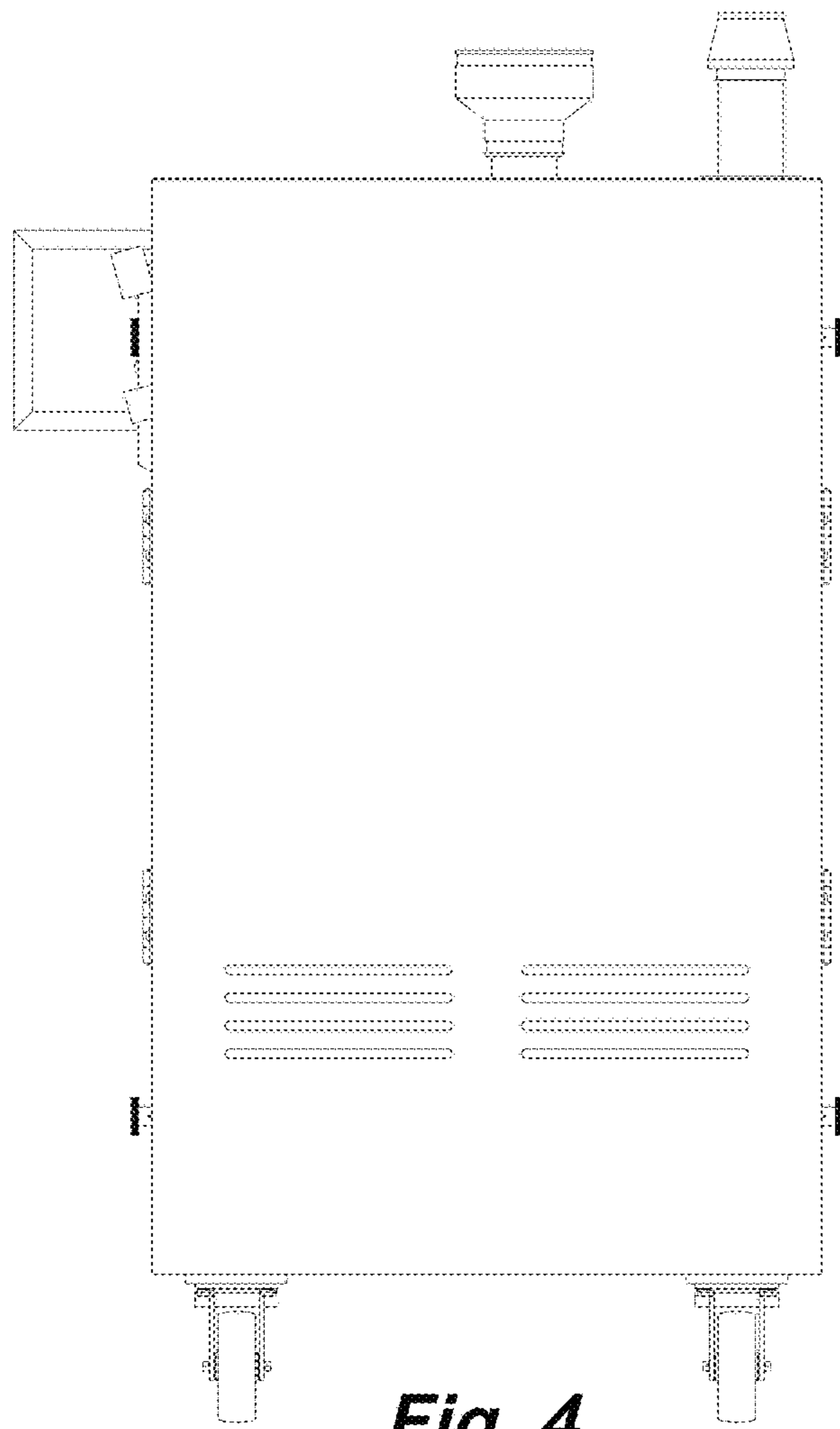


Fig. 4

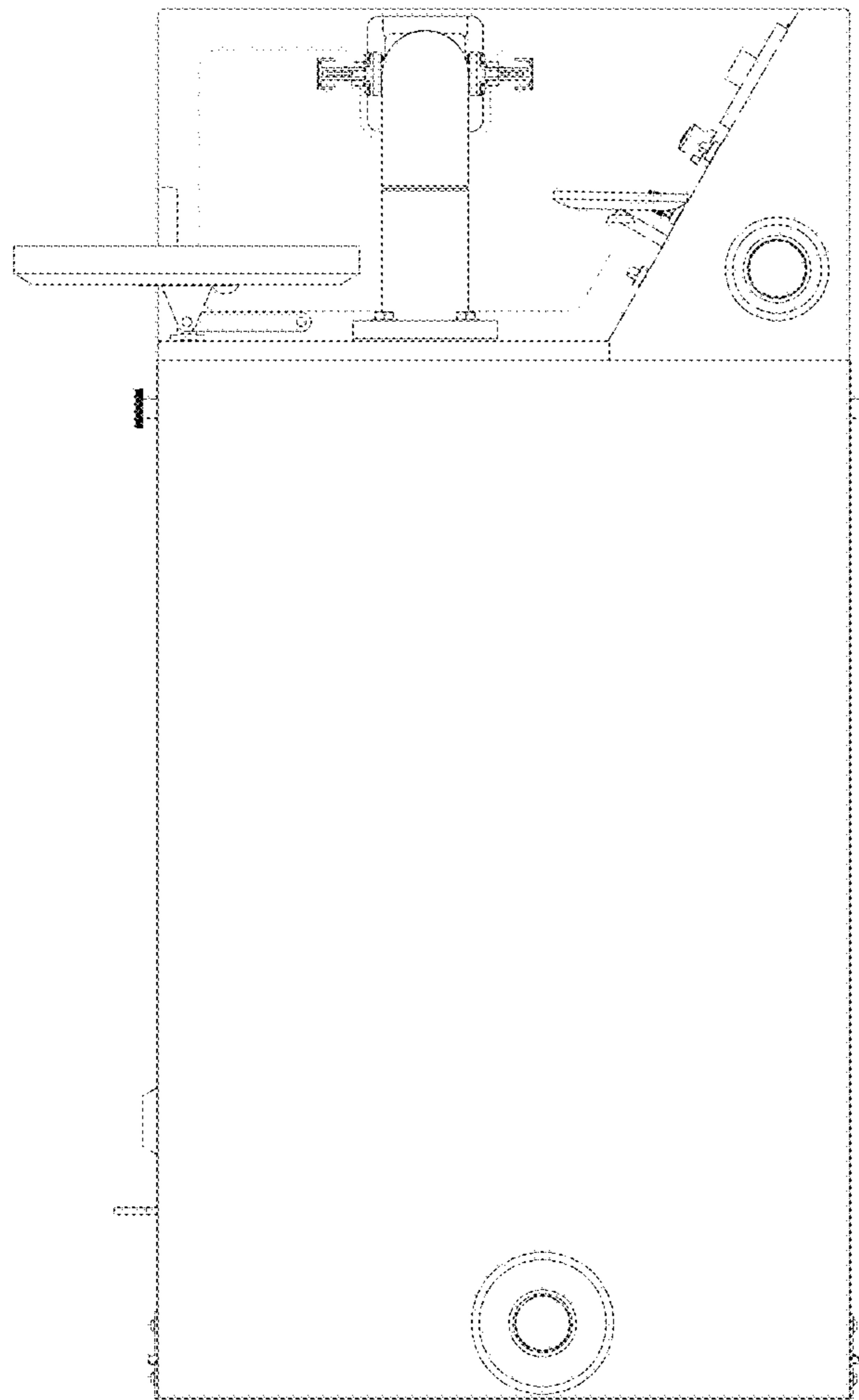


Fig. 5

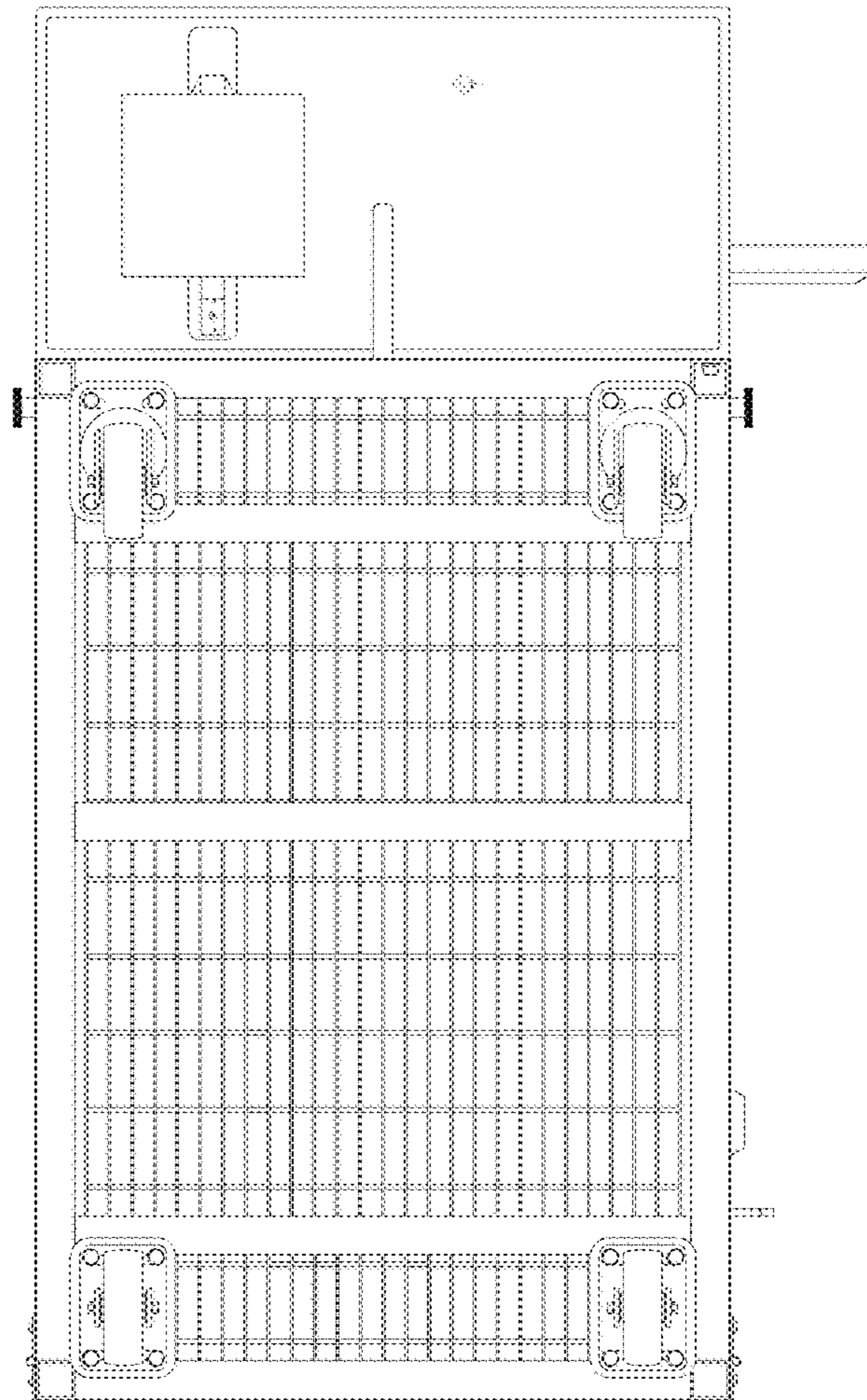


Fig. 6

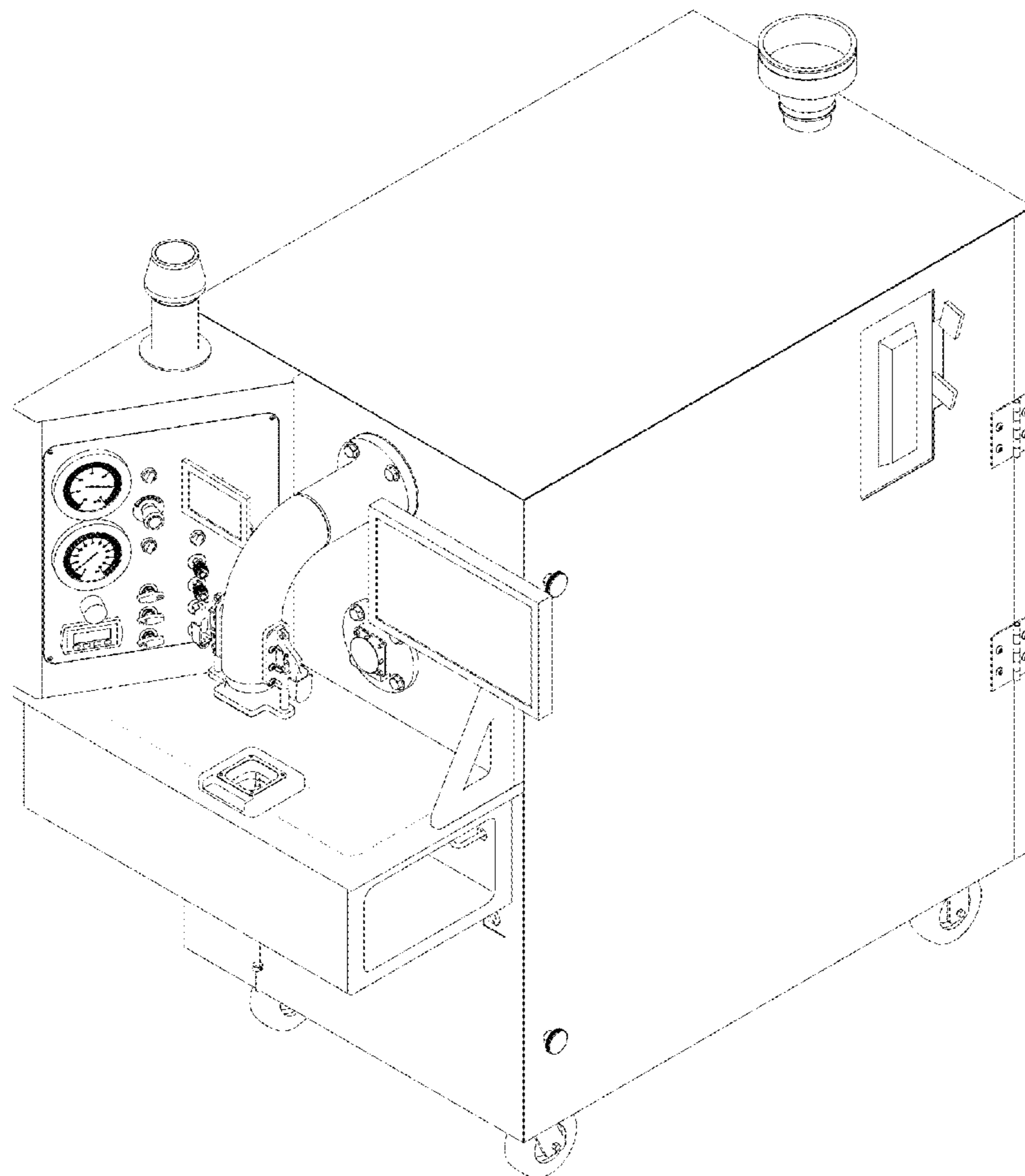


Fig. 7