



US00D842725S

(12) **United States Design Patent**
Dunford et al.

(10) **Patent No.:** **US D842,725 S**
(45) **Date of Patent:** **** Mar. 12, 2019**

(54) **PORTABLE TEST INSTRUMENT ATTACHMENT**

(71) Applicant: **JENTEK Sensors, Inc.**, Waltham, MA (US)

(72) Inventors: **Todd M Dunford**, Amherst, MA (US);
Neil J Goldfine, Indian Harbour Beach, FL (US)

(**) Term: **15 Years**

(21) Appl. No.: **29/603,805**

(22) Filed: **May 12, 2017**

(51) **LOC (11) Cl.** **10-04**

(52) **U.S. Cl.**
USPC **D10/75; D10/78**

(58) **Field of Classification Search**
USPC **D10/75, 78**

CPC **G01N 27/82; G01N 27/825; G01N 27/83; G01N 27/84; G01N 27/85; G01N 27/87; G01N 27/90; G01N 27/9006; G01N 27/9013; G01N 27/902; G01N 27/9026; G01N 27/9033; G01N 27/904; G01N 27/9046; G01N 27/9053; G01N 27/906; G01N 27/9066; G01N 27/9073; G01N 27/908; G01N 27/9086; G01N 27/9093**

See application file for complete search history.

(56) **References Cited**

U.S. PATENT DOCUMENTS

5,117,182 A * 5/1992 Cecco G01N 27/904
324/220
D339,994 S * 10/1993 Rohmann D10/78

5,914,595 A * 6/1999 Piriou G01N 27/9013
324/220
D514,963 S * 2/2006 Shionoiri D10/78
2004/0257072 A1 * 12/2004 Samson G01N 27/902
324/242
2011/0089937 A1 * 4/2011 Petrosky G01N 27/90
324/220
2015/0323502 A1 * 11/2015 Suetsugu G01N 27/902
324/240

* cited by examiner

Primary Examiner — Antoine Duval Davis

(74) *Attorney, Agent, or Firm* — Zachary M. Thomas

(57) **CLAIM**

The ornamental design for a portable test instrument attachment, as substantially shown and described.

DESCRIPTION

FIG. 1 is a perspective view of the portable test instrument attachment with additional environmental factors shown; FIG. 2 is a top view of the portable test instrument attachment;

FIG. 3 is a bottom view thereof;

FIG. 4 is a left side view thereof;

FIG. 5 is a right side view thereof;

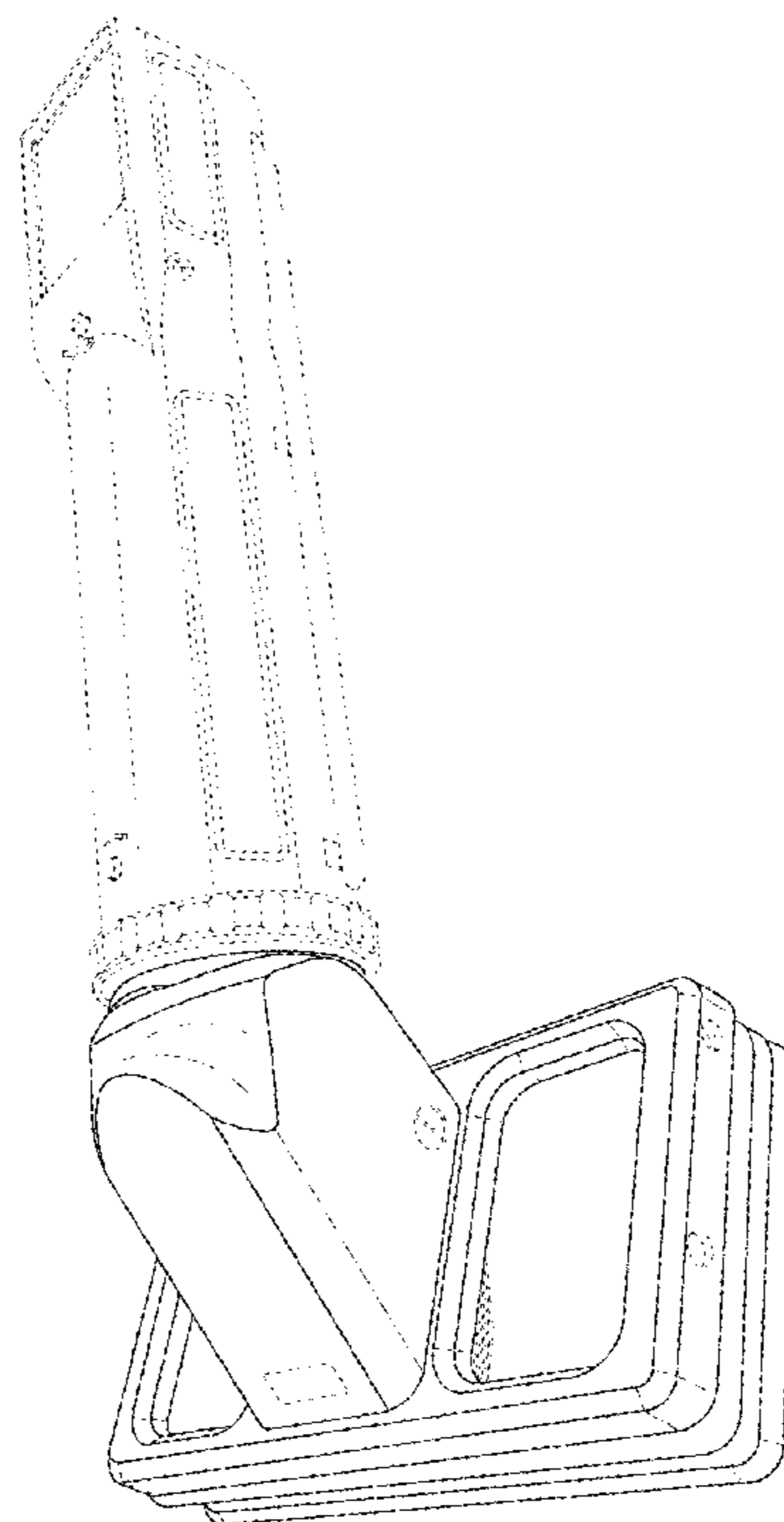
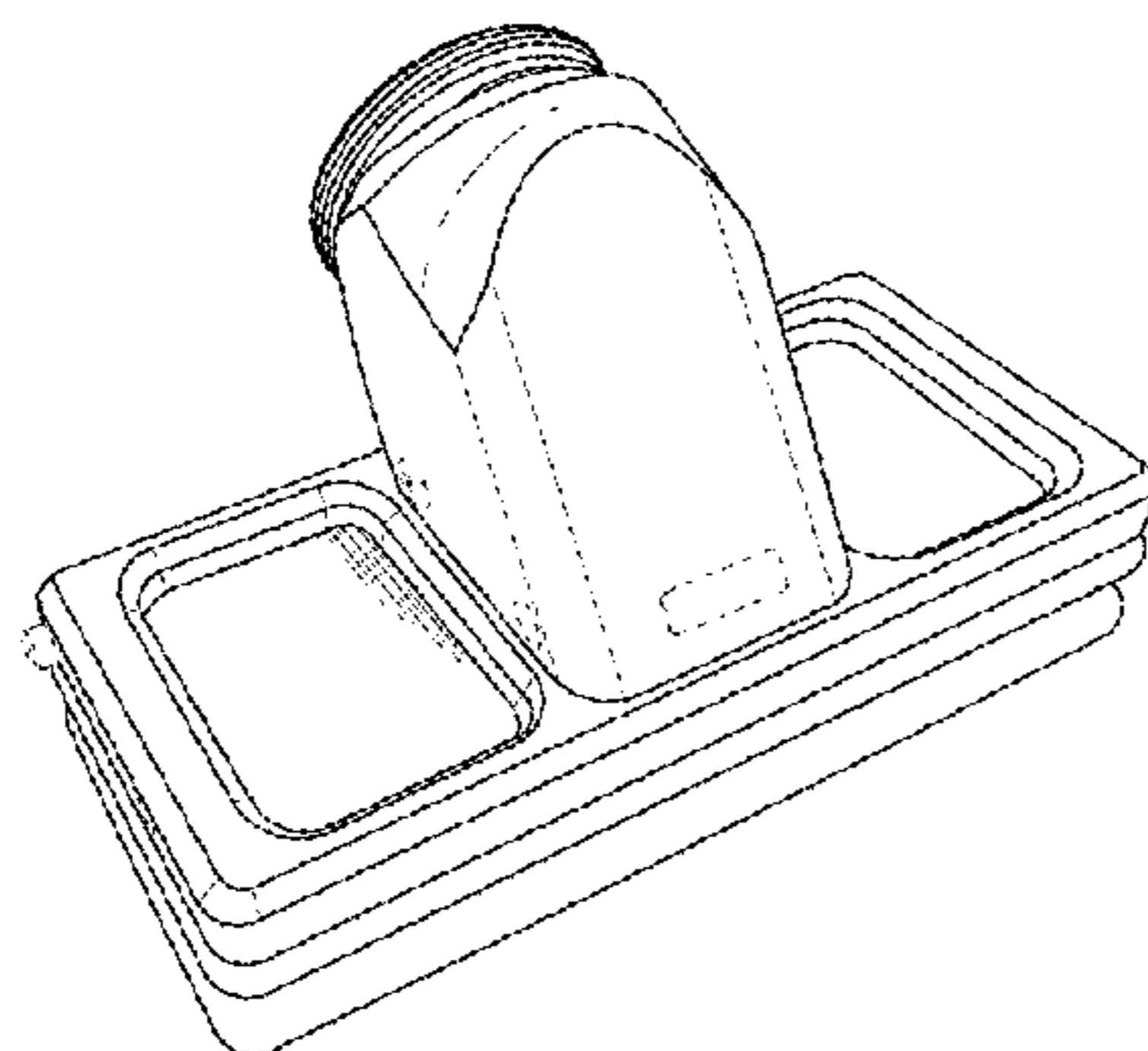
FIG. 6 is a front view thereof; and,

FIG. 7 is a back view thereof.

The broken lines shown in the figures are for the purpose of illustrating the environmental structure and form no part of the claimed design.

The shade lines in the figures show contour and not surface ornamentation.

1 Claim, 5 Drawing Sheets



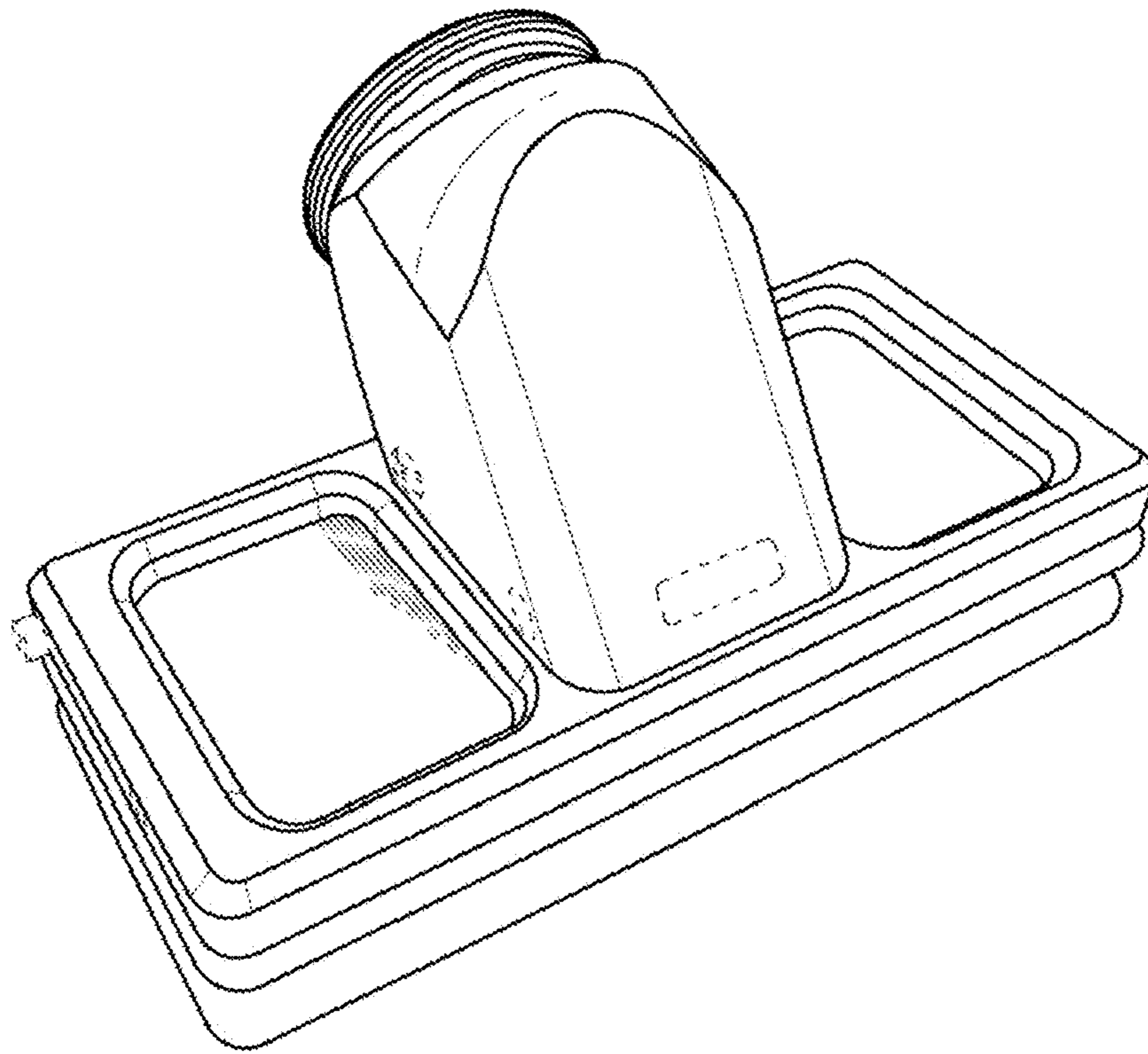


FIG. 1

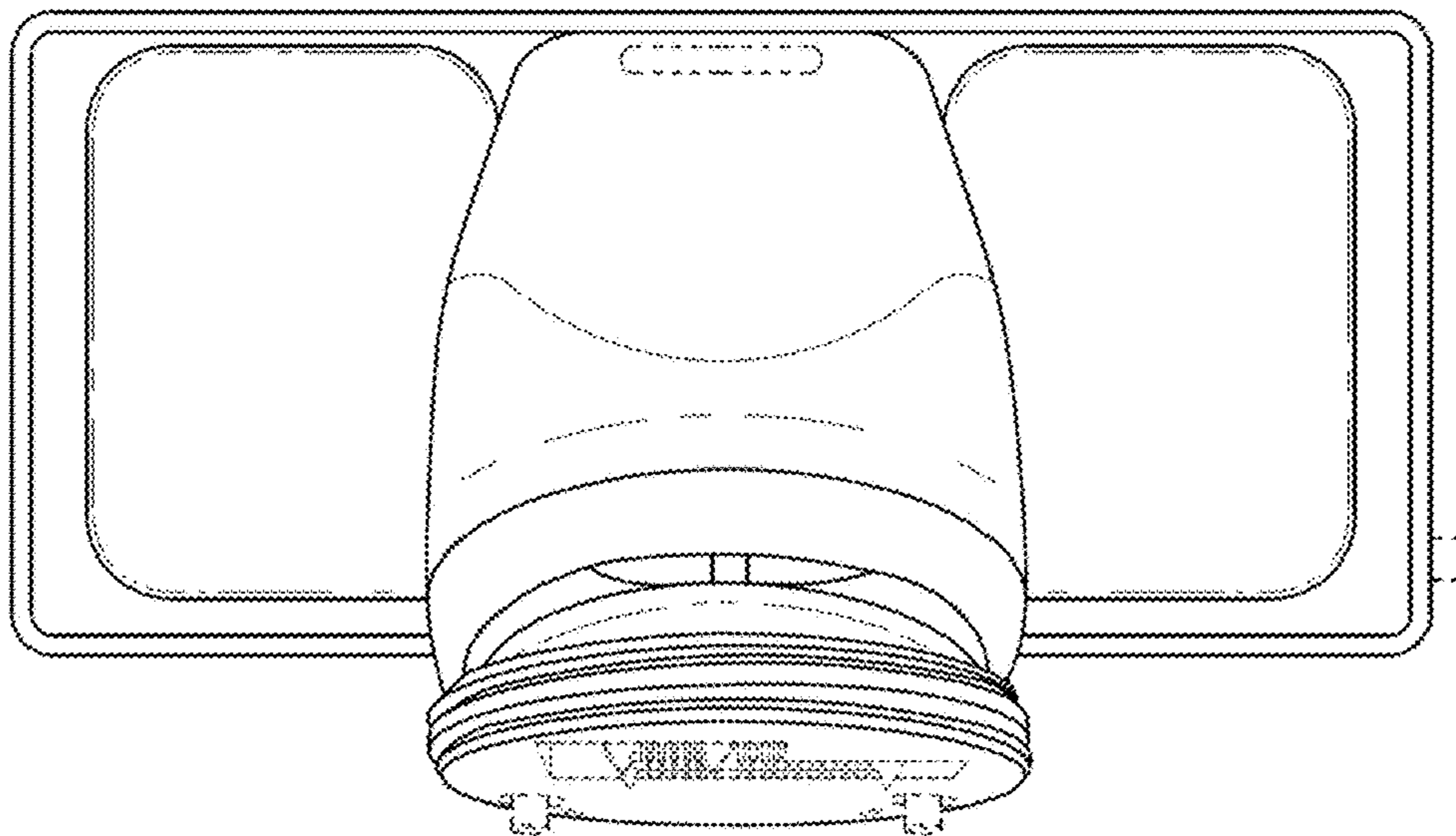


FIG. 2

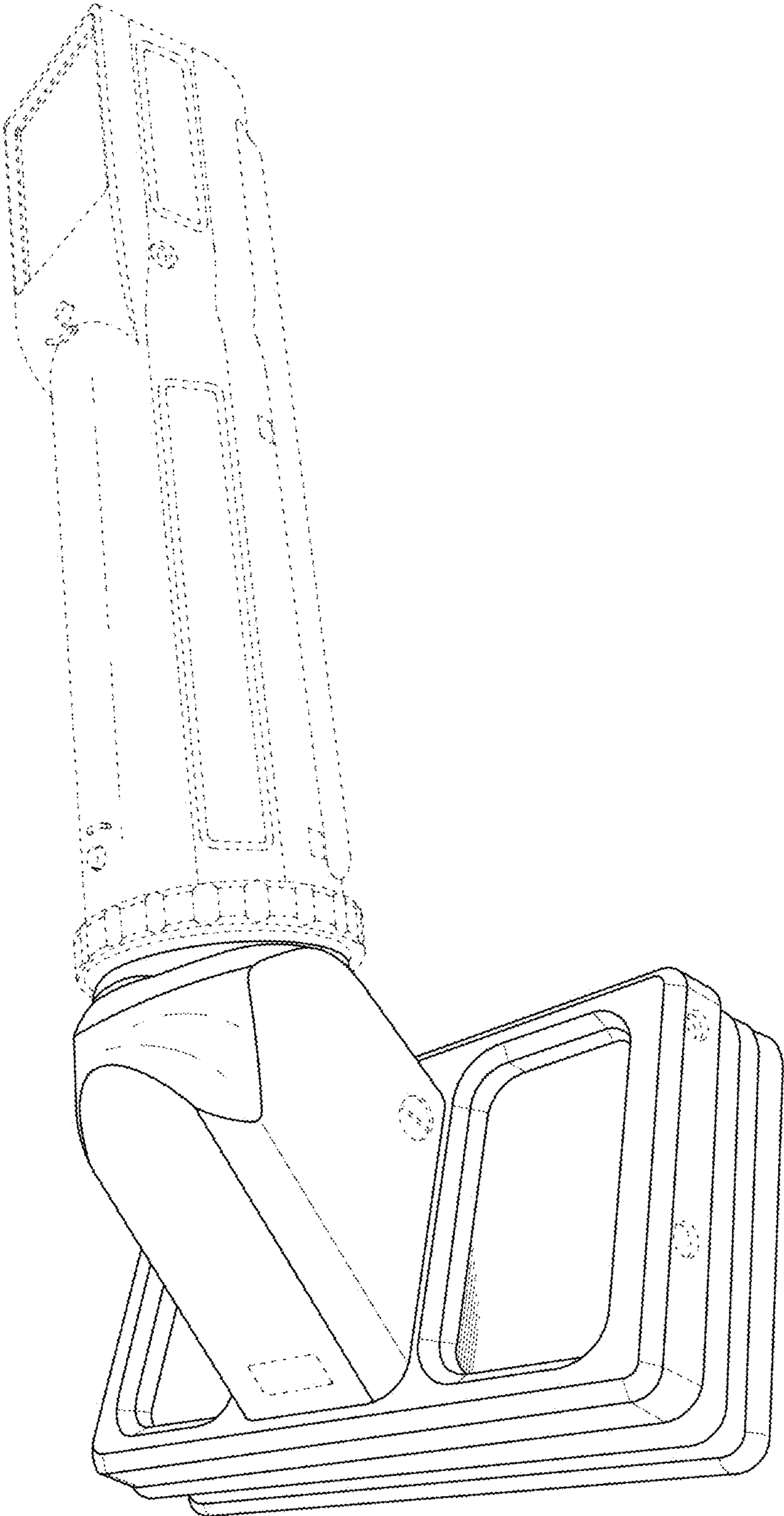


FIG. 3

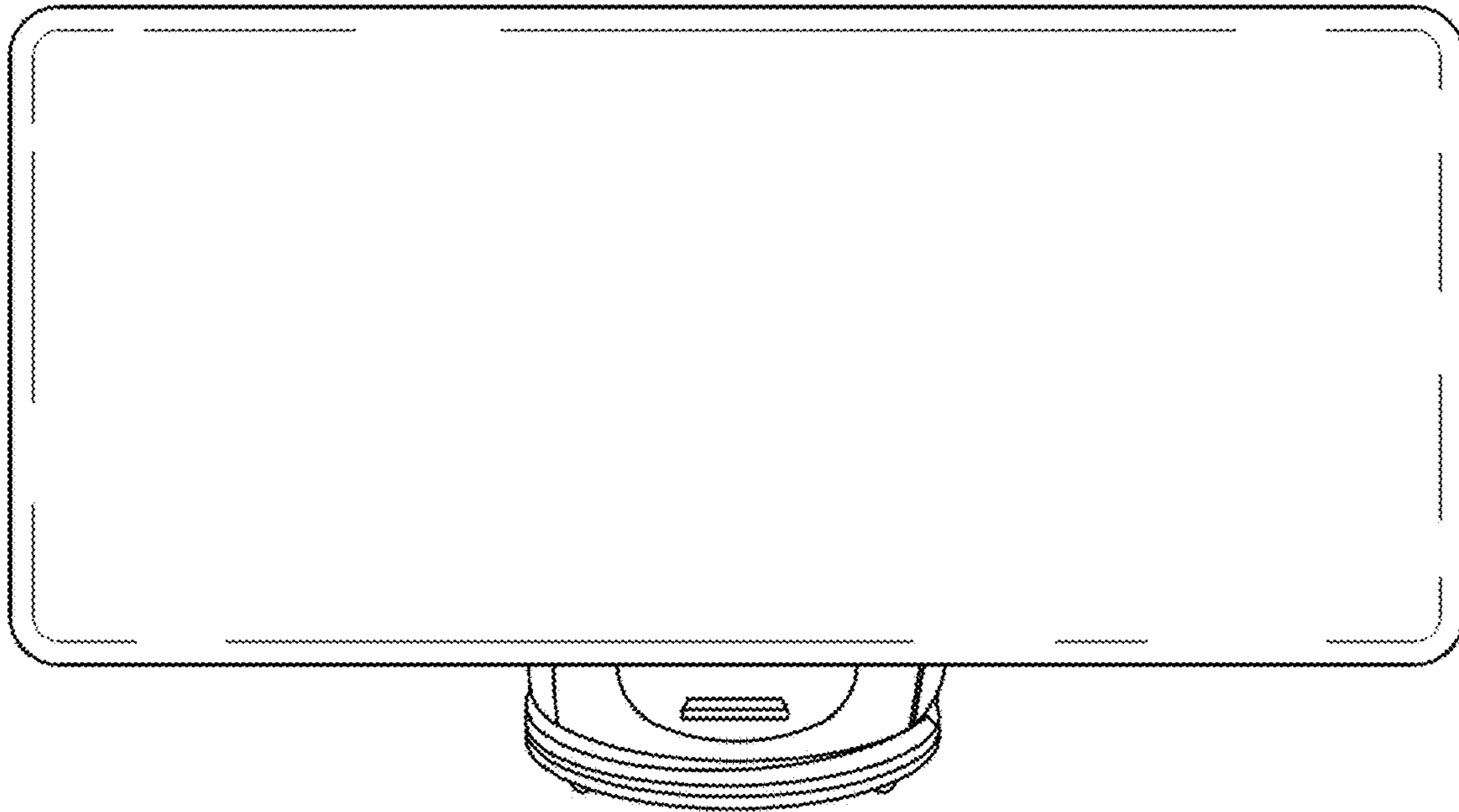


FIG. 4

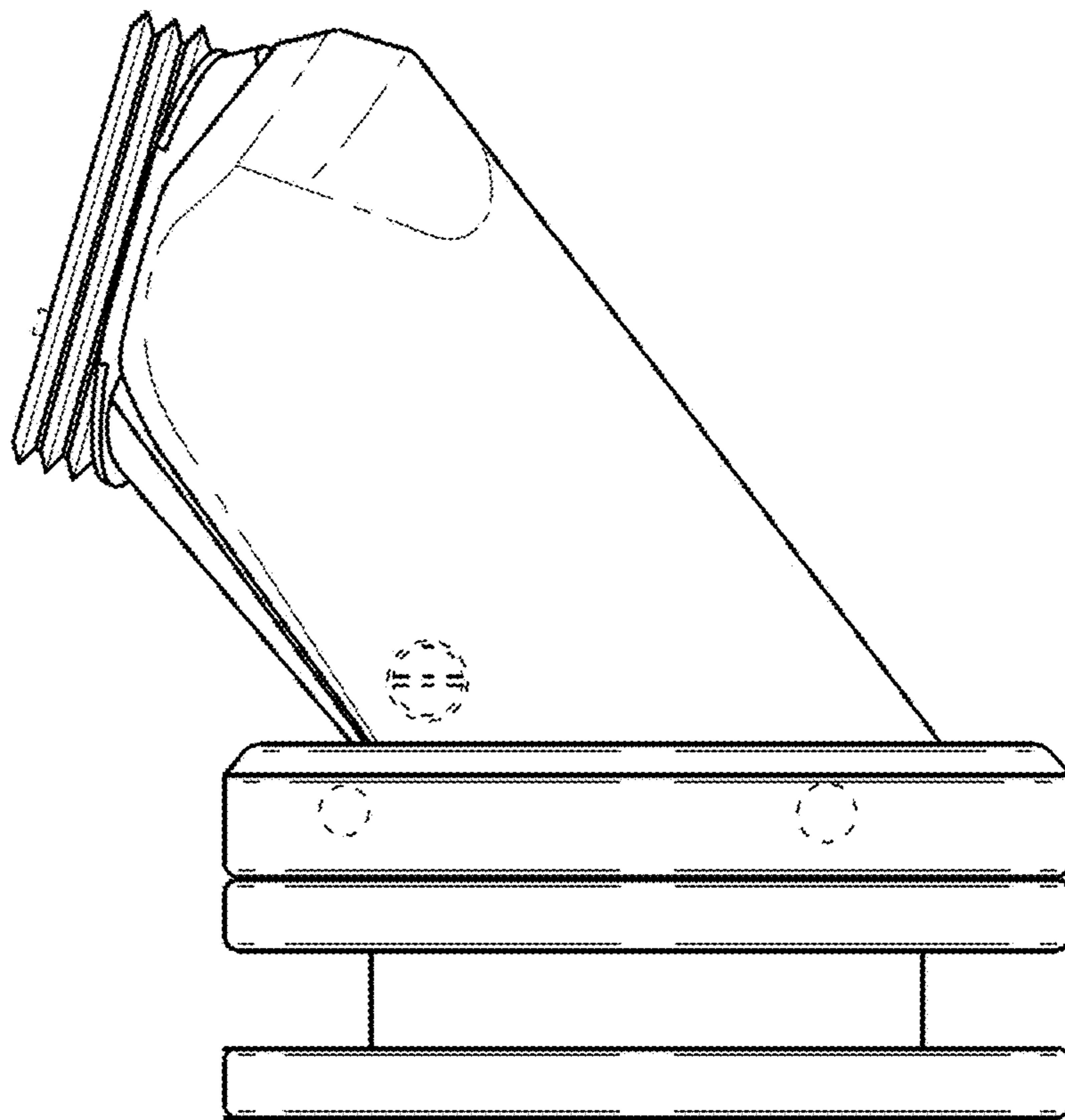


FIG. 5

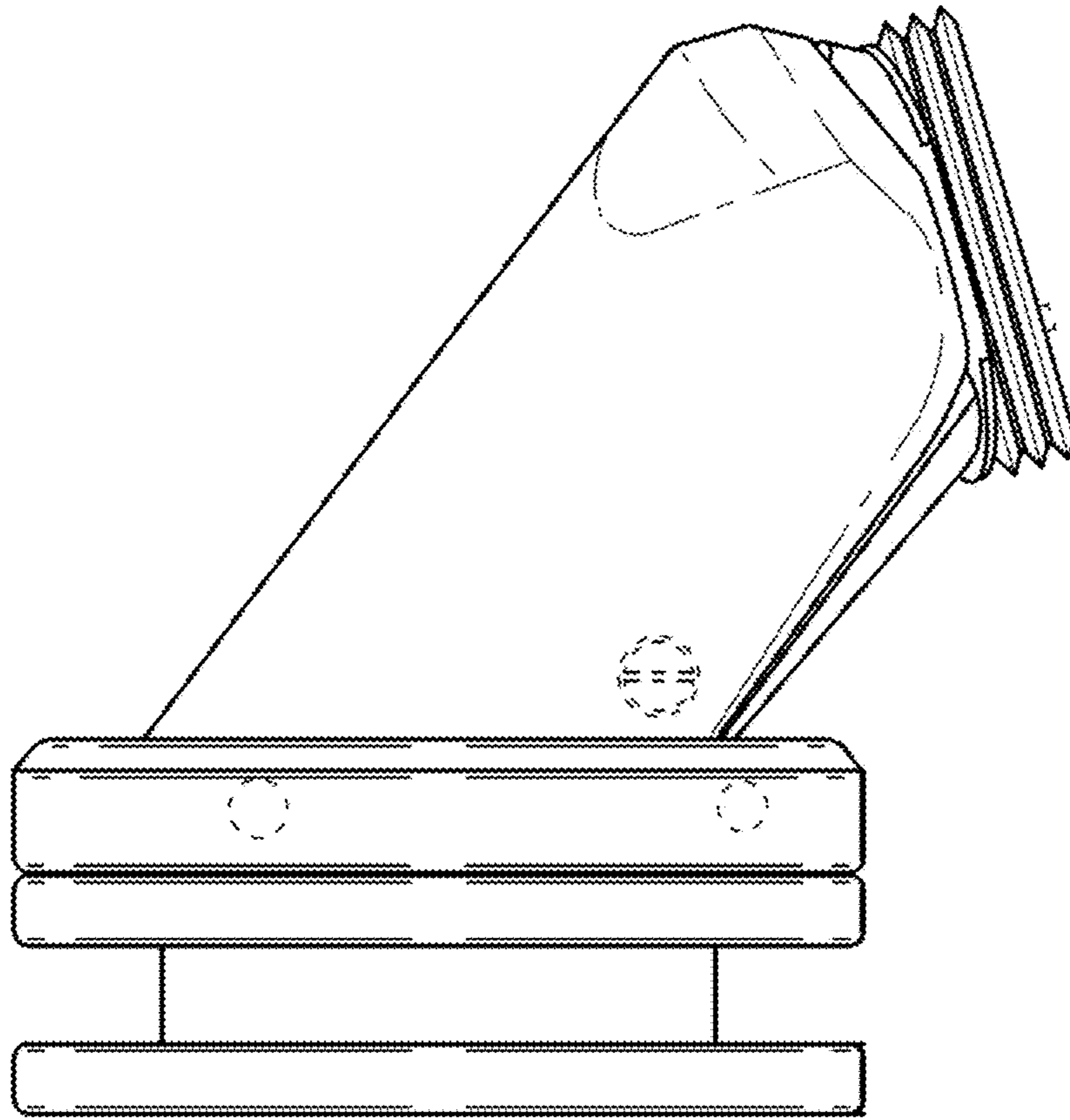


FIG. 6

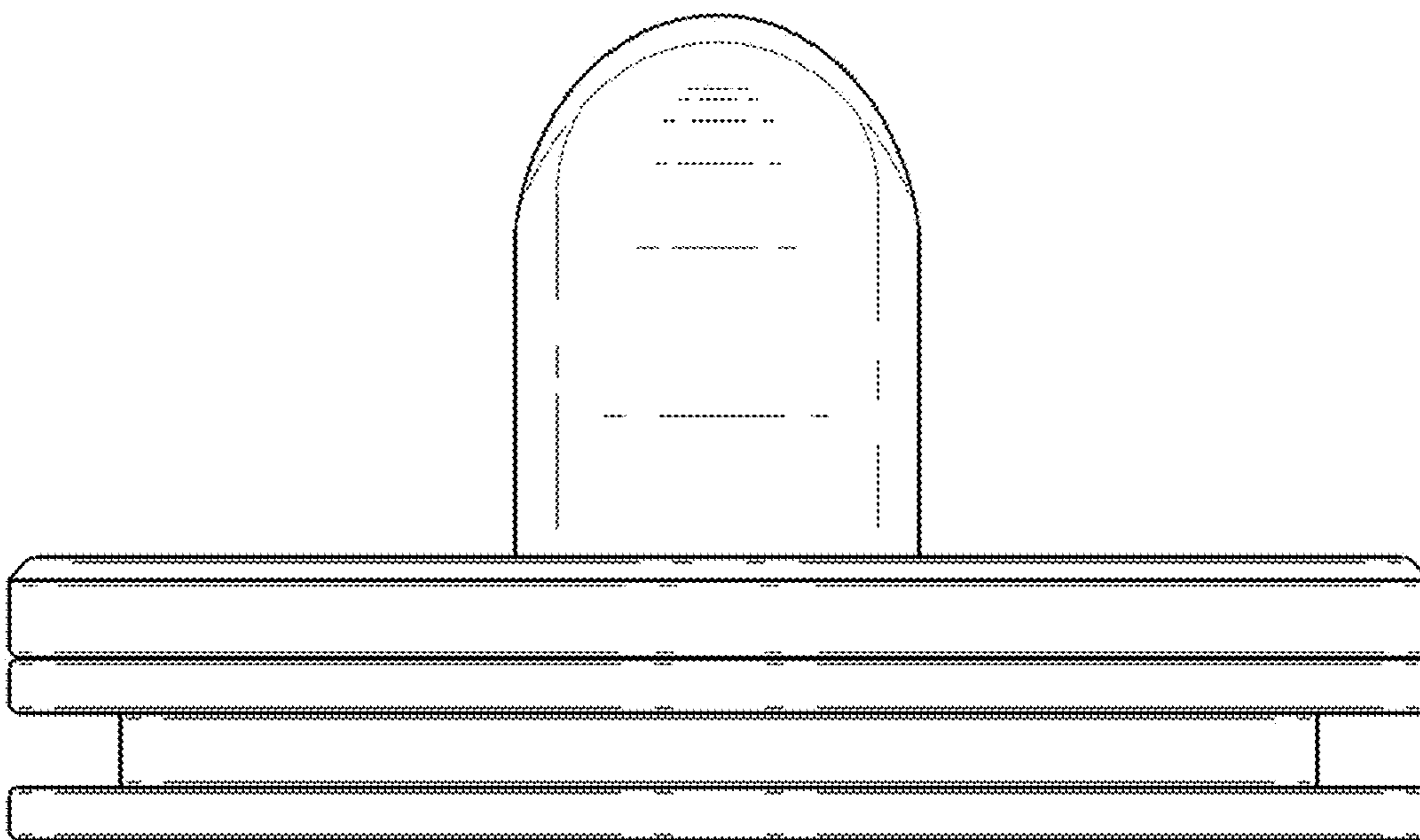


FIG. 7

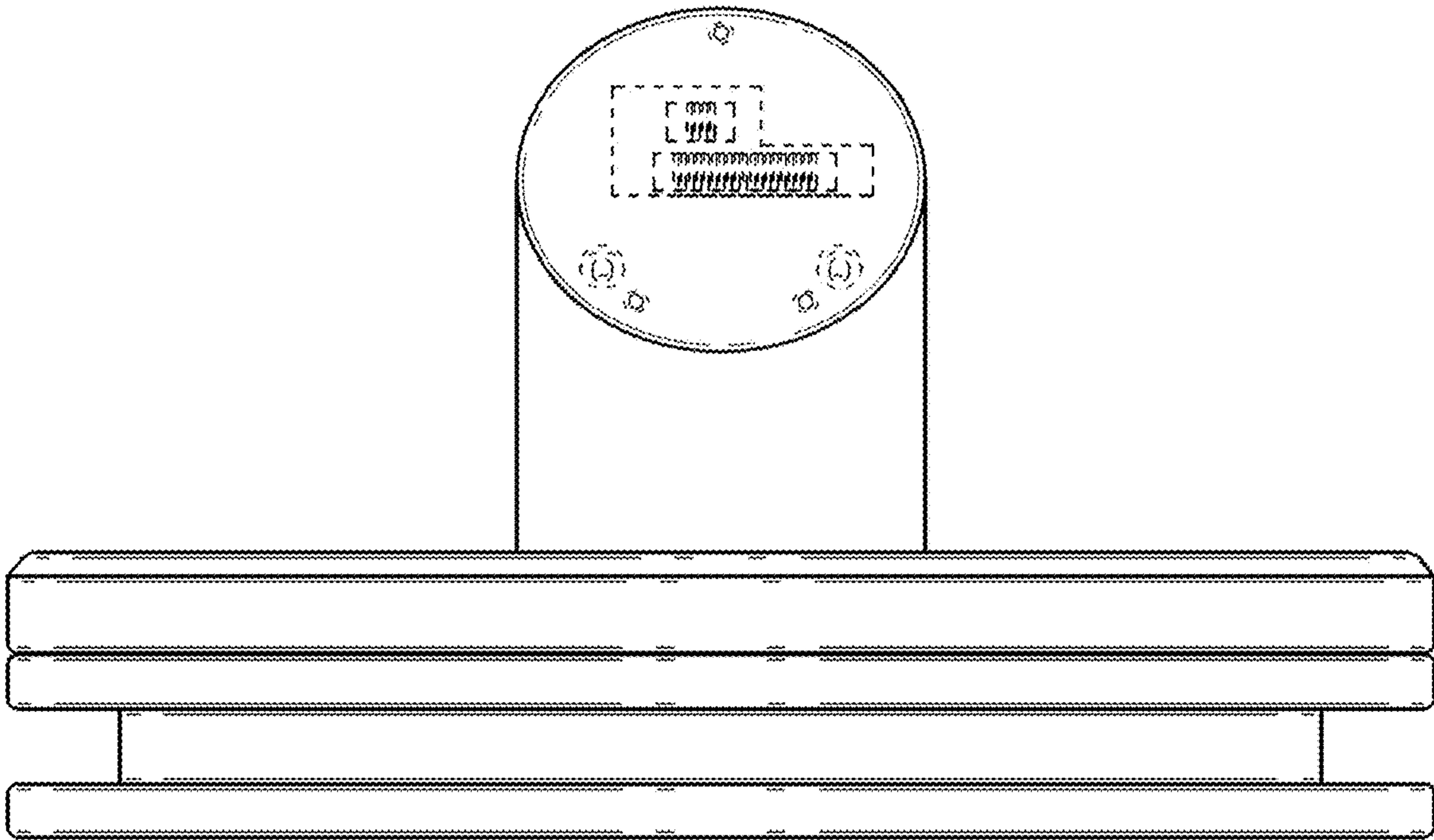


FIG. 8