



US00D842724S

(12) **United States Design Patent**  
**Vandenbussche et al.**

(10) **Patent No.:** **US D842,724 S**  
(45) **Date of Patent:** **\*\* Mar. 12, 2019**

(54) **LOW-PROFILE FITNESS MONITORING CAPSULE**

(71) Applicant: **Fitbit, Inc.**, San Francisco, CA (US)

(72) Inventors: **Gregoire Ludovic Vincent Vandenbussche**, San Francisco, CA (US); **Brian Dennis Paschke**, San Francisco, CA (US); **Jonah Avram Becker**, San Francisco, CA (US)

(73) Assignee: **Fitbit, Inc.**, San Francisco, CA (US)

(\*\*) Term: **15 Years**

(21) Appl. No.: **29/630,474**

(22) Filed: **Dec. 21, 2017**

**Related U.S. Application Data**

(63) Continuation of application No. 29/625,052, filed on Nov. 7, 2017.

(51) **LOC (11) Cl.** ..... **10-04**

(52) **U.S. Cl.**  
USPC ..... **D10/70; D10/38; D10/78; D10/97; D14/344; D24/167; D24/186**

(58) **Field of Classification Search**  
USPC ..... **D10/30, 31, 32, 38, 39, 70, 78, 97, 98; D14/203.5, 344; D24/167, 186**  
(Continued)

(56) **References Cited**

**U.S. PATENT DOCUMENTS**

4,106,677 A 8/1978 Helms et al.  
D259,626 S 6/1981 Wada  
(Continued)

**FOREIGN PATENT DOCUMENTS**

CN 207613311 U 7/2018

**OTHER PUBLICATIONS**

U.S. Appl. No. 29/572,967 filed Aug. 1, 2016, applicant Fitbit, Inc.  
(Continued)

*Primary Examiner* — Antoine Duval Davis  
(74) *Attorney, Agent, or Firm* — Polson Intellectual Property Law, PC; Margaret Polson

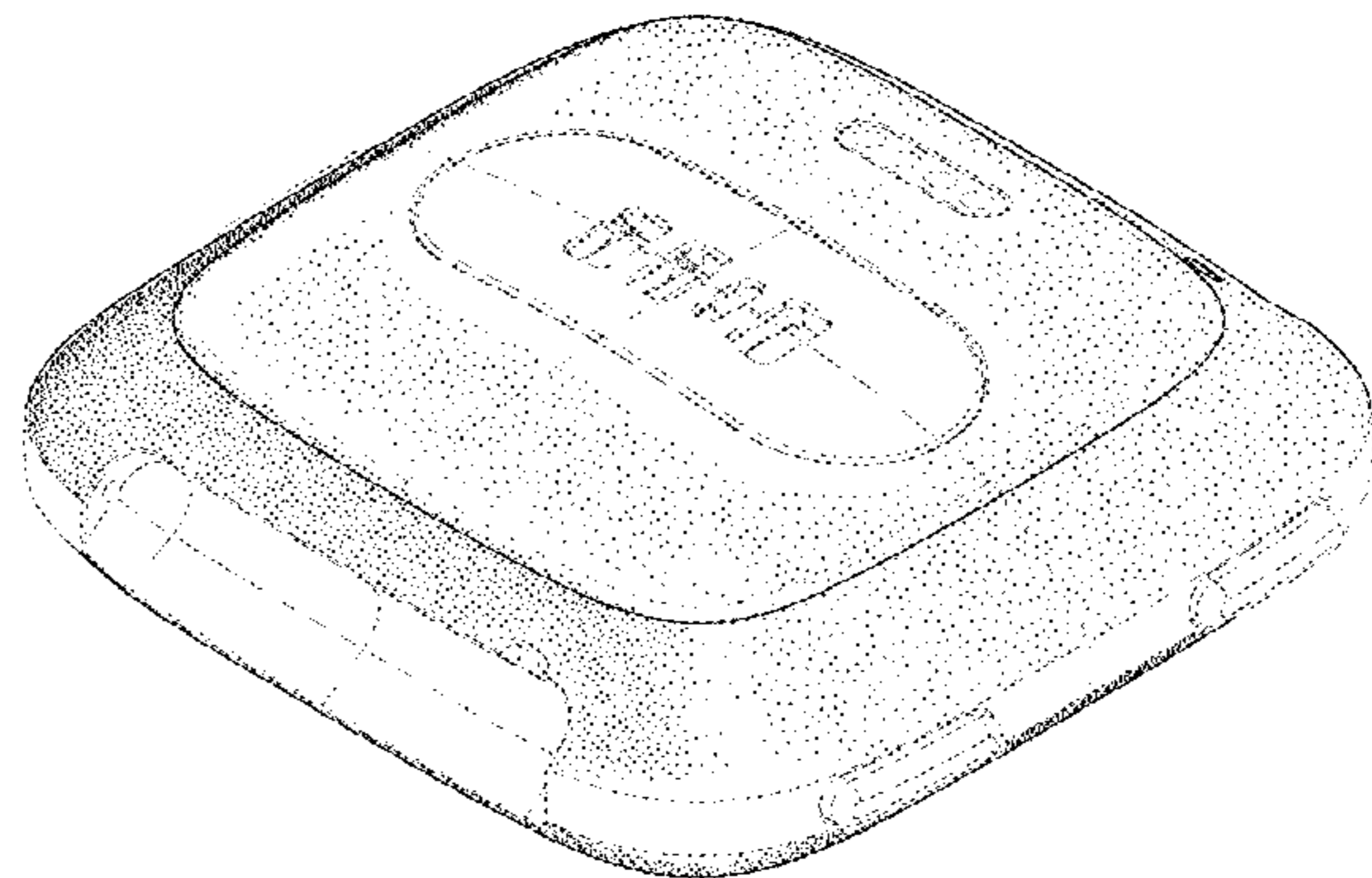
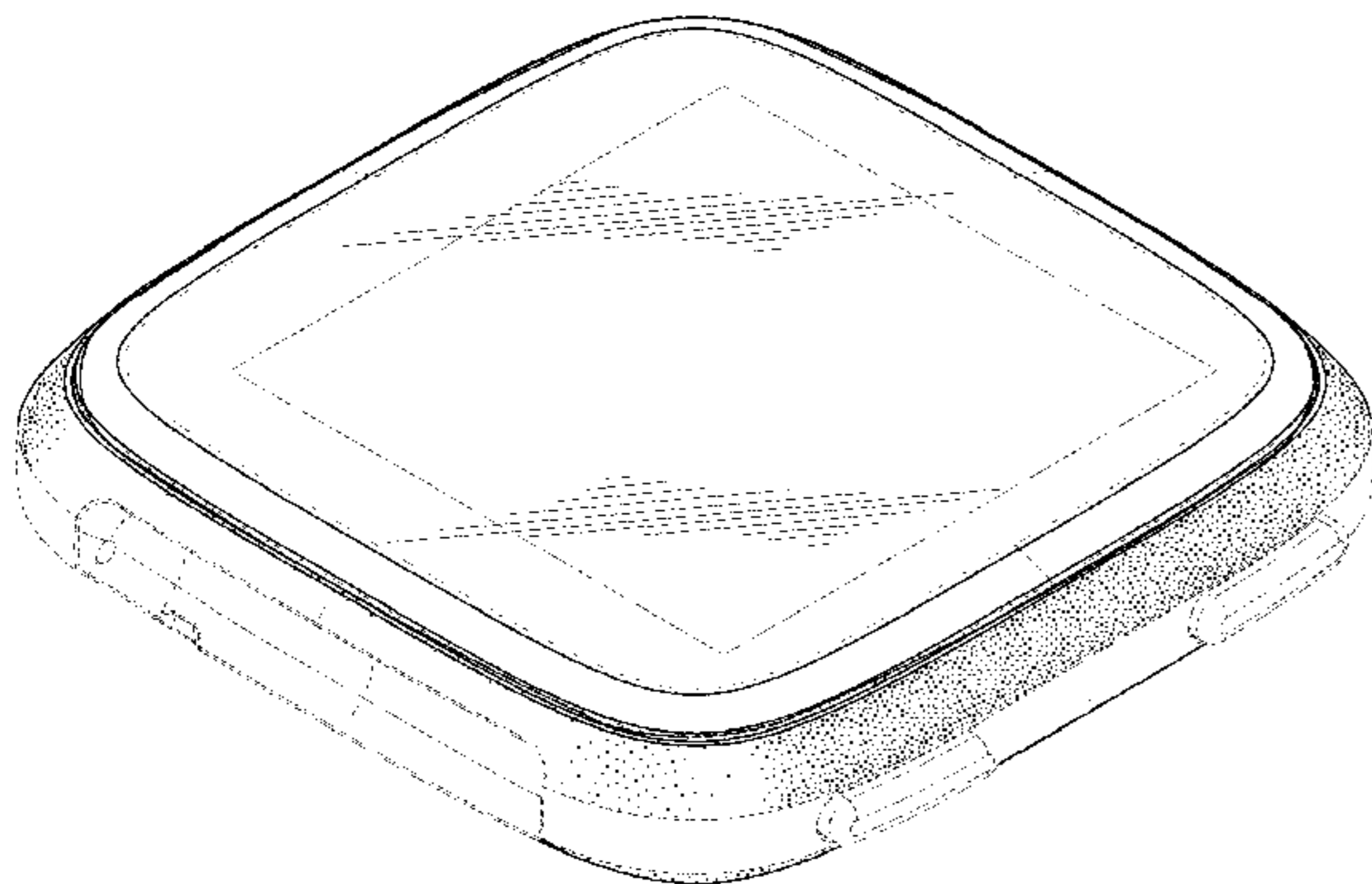
(57) **CLAIM**

We claim the ornamental design for a low-profile fitness monitoring capsule, as shown and described.

**DESCRIPTION**

FIG. 1 is an isometric view of a low-profile fitness monitoring capsule.  
FIG. 2 is front view of the low-profile fitness monitoring capsule of FIG. 1.  
FIG. 3 is a back view of the low-profile fitness monitoring capsule of FIG. 1.  
FIG. 4 is a top view of the low-profile fitness monitoring capsule of FIG. 1.  
FIG. 5 is a side view of the low-profile fitness monitoring capsule of FIG. 1.  
FIG. 6 is an opposite side view of the low-profile fitness monitoring capsule of FIG. 1.  
FIG. 7 is a bottom view of the low-profile fitness monitoring capsule of FIG. 1.  
FIG. 8 is an off-angle view of the low-profile fitness monitoring capsule of FIG. 1.  
FIG. 9 is a different off-angle view of the low-profile fitness monitoring capsule of FIG. 1; and,  
FIG. 10 is yet another off-angle view of the low-profile fitness monitoring capsule of FIG. 1.  
Stipple shading is used in all of the accompanying Figures to convey surface contouring and not texture.  
The broken lines shown in the drawings illustrate portions of the design that form no part of the claimed design. Surfaces that do not include stipple shading and are bounded, at least in part, by broken lines form no part of the claimed design.

**1 Claim, 4 Drawing Sheets**





(58) **Field of Classification Search**

CPC ..... G04B 19/00–19/34; G04B 21/12; G04B 23/12; G04B 37/00–37/228; G04B 47/00–47/068; G04B 45/0069; G04B 47/04; G04B 47/065; G04B 47/066; G01C 17/00; G01C 21/00–21/3697; G01C 22/00–22/025; G01C 23/00–23/005; G01C 21/16; G06F 19/3481; G06F 3/00–3/027; G06F 1/163; G01P 1/00–1/26; G01P 15/00–15/18; A63B 24/00–2024/0096; A63B 2213/00; A63B 69/0028; A63B 2071/0658–2071/0666; A63B 2220/00–2220/89; A63B 2225/02; A63C 11/02; A61B 5/681; A61B 5/6824; A61B 5/6825; A61B 5/6826; A61B 5/0537; A61B 5/4872; A61B 5/6831; A61B 5/4869; A61B 5/0858; A61B 5/1075; A61B 5/107; A61B 5/4875; A61B 5/4878; A61B 5/4881; A61B 5/61–5/6898; A44C 5/00–5/16; G04R 20/02; G04C 10/00; G04C 10/02; G08B 21/0269; G08B 21/0272; G08B 21/0286; G08B 21/0288; G08B 21/0291; G08B 21/04–21/2454; G01S 19/00–19/55; G04G 9/0064; G04G 9/0005

See application file for complete search history.

(56) **References Cited**

U.S. PATENT DOCUMENTS

D261,733 S 11/1981 Iida  
D264,946 S 6/1982 Hirabayashi  
D265,063 S 6/1982 Iida  
D265,295 S 7/1982 Wada  
D267,548 S 1/1983 Wada  
D269,767 S 7/1983 Houlihan et al.  
D269,951 S 8/1983 Eberhardt et al.  
4,417,821 A 11/1983 Herchenbach  
D278,685 S 5/1985 Suzuki et al.  
D528,439 S \* 9/2006 Burton ..... D10/32  
D528,928 S \* 9/2006 Burton ..... D10/38  
D566,582 S 4/2008 Genender et al.  
D584,120 S \* 1/2009 Smith ..... D8/50  
D615,427 S 5/2010 Au Yeung  
D628,498 S 12/2010 Arellano  
D632,984 S 2/2011 Register et al.  
D636,686 S 4/2011 Cobbett et al.  
D637,097 S 5/2011 Tseng  
D638,725 S 5/2011 Morrison  
D638,736 S 5/2011 Cobbett et al.  
D672,255 S 12/2012 Zanella et al.  
D699,131 S 2/2014 Marshall et al.  
D703,069 S 4/2014 Adams et al.  
D715,167 S 10/2014 Busse  
D719,123 S 12/2014 Park et al.  
D720,074 S 12/2014 Suvilaakso et al.  
8,942,070 B1 1/2015 Shah  
8,954,135 B2 2/2015 Yuen et al.  
D727,759 S 4/2015 Martinez et al.  
9,004,329 B2 4/2015 Hsieh et al.  
D728,624 S \* 5/2015 Akana ..... D14/496  
D729,237 S 5/2015 Fagnot  
D729,651 S 5/2015 Nuovo et al.  
D729,653 S 5/2015 Nuovo et al.  
D735,710 S 8/2015 Song  
D737,158 S \* 8/2015 Akana ..... D10/32  
D738,236 S 9/2015 Song  
D738,237 S 9/2015 Song  
D741,726 S \* 10/2015 Akana ..... D10/30  
D743,278 S 11/2015 Solomon et al.  
D743,820 S 11/2015 Song

D744,356 S \* 12/2015 Akana ..... D10/70  
D745,421 S \* 12/2015 Akana ..... D10/32  
D745,515 S 12/2015 Solomon et al.  
D749,569 S 2/2016 Ji et al.  
D750,622 S 3/2016 Chen et al.  
D751,550 S 3/2016 Solomon et al.  
D752,043 S 3/2016 Ji et al.  
D752,578 S 3/2016 Ji et al.  
D756,824 S \* 5/2016 Akana ..... D10/103  
D757,574 S 5/2016 Song  
D757,819 S \* 5/2016 Akana ..... D14/496  
D758,363 S \* 6/2016 Akana ..... D10/30  
D759,011 S \* 6/2016 Akana ..... D14/344  
D759,623 S 6/2016 Dahlberg  
D762,210 S 7/2016 Lee et al.  
9,391,307 B2 7/2016 Ishibashi  
D763,107 S 8/2016 Nielsen et al.  
D765,072 S 8/2016 Kwon  
D765,655 S \* 9/2016 Tao ..... D10/38  
D766,115 S 9/2016 Ma  
D766,752 S \* 9/2016 Akana ..... D10/30  
D766,893 S 9/2016 Akana et al.  
D771,035 S \* 11/2016 Akana ..... D14/344  
9,508,241 B2 11/2016 DePascale  
9,551,608 B2 \* 1/2017 Cho ..... G01G 9/00  
D784,327 S 4/2017 Akana et al.  
D784,831 S 4/2017 Akana et al.  
9,658,347 B2 \* 5/2017 Jacob ..... G01T 1/247  
D790,365 S 6/2017 Nuovo et al.  
D790,366 S 6/2017 Nuovo et al.  
D793,565 S 8/2017 Saunamaki et al.  
9,743,695 B2 \* 8/2017 Yoo ..... A61B 5/7435  
D800,172 S \* 10/2017 Akana ..... D14/496  
D802,587 S \* 11/2017 Lee ..... D14/344  
D805,513 S \* 12/2017 Akana ..... D14/344  
D805,929 S \* 12/2017 Akana ..... D10/70  
D806,599 S 1/2018 Nielsen et al.  
D806,880 S \* 1/2018 Henning ..... D24/186  
D807,765 S \* 1/2018 Akana ..... D10/70  
D808,961 S \* 1/2018 Lee ..... D14/344  
D809,510 S \* 2/2018 Rochat ..... D14/344  
D813,229 S \* 3/2018 Ling ..... D14/344  
D816,695 S \* 5/2018 Spector ..... D14/486  
10,038,361 B2 \* 7/2018 Hajati ..... G06F 1/163  
D828,352 S \* 9/2018 Akana ..... D14/344  
2016/0183390 A1 6/2016 Yang et al.  
2017/0100038 A1 4/2017 Narusawa  
2018/0235327 A1 8/2018 Bayley et al.  
2018/0289116 A1 10/2018 McCray et al.

OTHER PUBLICATIONS

U.S. Appl. No. 29/593,260 filed Feb. 7, 2017, applicant Fitbit, Inc.  
U.S. Appl. No. 29/593,261 filed Feb. 7, 2017, applicant Fitbit, Inc.  
U.S. Appl. No. 29/596,216 filed Mar. 6, 2017, applicant Fitbit, Inc.  
U.S. Appl. No. 29/602,541 filed May 1, 2017, applicant Fitbit, Inc.  
U.S. Appl. No. 29/625,052 filed Nov. 7, 2017, applicant Fitbit, Inc.  
U.S. Appl. No. 29/520,607 filed Mar. 16, 2015, applicant Fitbit, Inc.  
U.S. Appl. No. 29/524,027 filed Apr. 15, 2015, applicant Fitbit, Inc.  
U.S. Appl. No. 29/541,368 filed Oct. 2, 2015, applicant Fitbit, Inc.  
U.S. Appl. No. 29/568,588 filed Jun. 20, 2016, applicant Fitbit, Inc.  
U.S. Appl. No. 29/621,239 filed Oct. 5, 2017, applicant Fitbit, Inc.  
U.S. Appl. No. 29/614,464 filed Aug. 18, 2017, applicant Fitbit, Inc.  
U.S. Appl. No. 29/548,501 filed Dec. 14, 2015, applicant Fitbit, Inc.  
U.S. Appl. No. 29/564,199 filed May 11, 2016, applicant Fitbit, Inc.  
U.S. Appl. No. 29/614,479 filed Aug. 18, 2017, applicant Fitbit, Inc.  
U.S. Appl. No. 29/522,853 filed Apr. 2, 2015, applicant Fitbit, Inc.  
U.S. Appl. No. 29/522,858 filed Apr. 4, 2015, applicant Fitbit, Inc.  
U.S. Appl. No. 29/540,741 filed Sep. 28, 2015, applicant Fitbit, Inc.  
ACBEE Replacement watch band with buckle for Fitbit ALTA for sale at www.amazon.com, Website accessed Nov. 7, 2018.  
PERFIT rubber watch band with double prong buckle and spring bars for sale at www.amazon.com. Website accessed Nov. 7, 2018.  
Waterproof diving silicone rubber strap with clasp for sale at www.aliexpress.com (Alibaba Group). Website accessed Feb. 7, 2018.

(56)

**References Cited**

## OTHER PUBLICATIONS

Damusy Fitness Tracker Smart Band for sale at [www.activityandfitnesstrackers.com](http://www.activityandfitnesstrackers.com). Website accessed Nov. 10, 2018.

VOLEMER F09HR Smart Band Fitness Tracker for sale at [www.epaky.com](http://www.epaky.com). Website accessed Nov. 10, 2018.

“First Look: Fitbit announces new Fitbit Alta activity tracker”, published Feb. 3, 2016 on DC Rainmaker ([www.dcrainmaker.com](http://www.dcrainmaker.com)). Website accessed Nov. 10, 2018.

Fitbit Alta—for sale by Fitbit (<https://www.fitbit.com/alta>). Website accessed Mar. 27, 2017.

Fitbit Alta replacement bands—for sale at [www.amazon.com](http://www.amazon.com). Website accessed Jul. 17, 2017.

Fitbit Alta review published Mar. 25, 2016 on C|Net ([www.cnet.com](http://www.cnet.com)). Website accessed Nov. 11, 2018.

Fitbit Charge 2 Heart Rate and Fitness Wristband for sale at [www.amazon.co.uk](http://www.amazon.co.uk). Website accessed Feb. 7, 2018.

Fitbit Flex Wireless Activity and Sleep Wristband for sale at [www.amazon.com](http://www.amazon.com). Listed at least as early as Apr. 16, 2013.

Fitbit Ionic Accessory Band for sale at Nordstrom (<https://shop.nordstrom.com>). Website accessed Nov. 7, 2018.

Fitbit Alta HR Bands for sale at The Fitness Equipment Shop ([www.thefitnessequipments.com](http://www.thefitnessequipments.com)). Website accessed Nov. 17, 2018.

Luminor Replacement Rubber Watch Band Strap for sale at Walmart ([www.walmart.com](http://www.walmart.com)). Website accessed Nov. 7, 2018.

“MPOW DS-D6 Fitness Band Review” published Jan. 13, 2018 on ZeroAir ([www.zeroair.wordpress.com](http://www.zeroair.wordpress.com)). Website accessed Nov. 10, 2018.

“Fitbit Product Teardown” on Pinterest, pinned from [www.ifixit.com](http://www.ifixit.com). Website accessed Feb. 27, 2017.

Pro Elite Medicine Ball by Power Systems ([www.power-systems.com](http://www.power-systems.com)). Website accessed Feb. 7, 2018.

Replacement metal watch band Connector for Fitbit Alta/Fitbit Alta HR for sale at Banggood ([www.banggood.com](http://www.banggood.com)). Website accessed Nov. 10, 2018.

Citrine by the Stones Sol Forearm Band for sale at Shopbop ([www.shopbop.com](http://www.shopbop.com)). Website accessed Nov. 11, 2018.

Gorjana Mia Wrap Cuff for sale at Shopbop ([www.shopbop.com](http://www.shopbop.com)). Website accessed Nov. 11, 2018.

Marc by Marc Jacobs Engraved Turlock Leather Bangle Bracelet for sale at Shopbop ([www.shopbop.com](http://www.shopbop.com)). Website accessed Nov. 11, 2018.

Monserat de Lucca Measuring Tape Bracelet for sale at Shopbop ([www.shopbop.com](http://www.shopbop.com)). Website accessed Nov. 11, 2018.

Suppa G-Shock Strap Adapters, online at least as early as Dec. 13, 2013. Accessed Feb. 7, 2017.

Suunto Core watchband on Instagram. Accessed Feb. 7, 2017.

GK Fitbit Alta Bands—replacement sport strap bands for Fitbit Alta for sale at Walmart ([www.walmart.com](http://www.walmart.com)). Website accessed Nov. 7, 2018.

\* cited by examiner



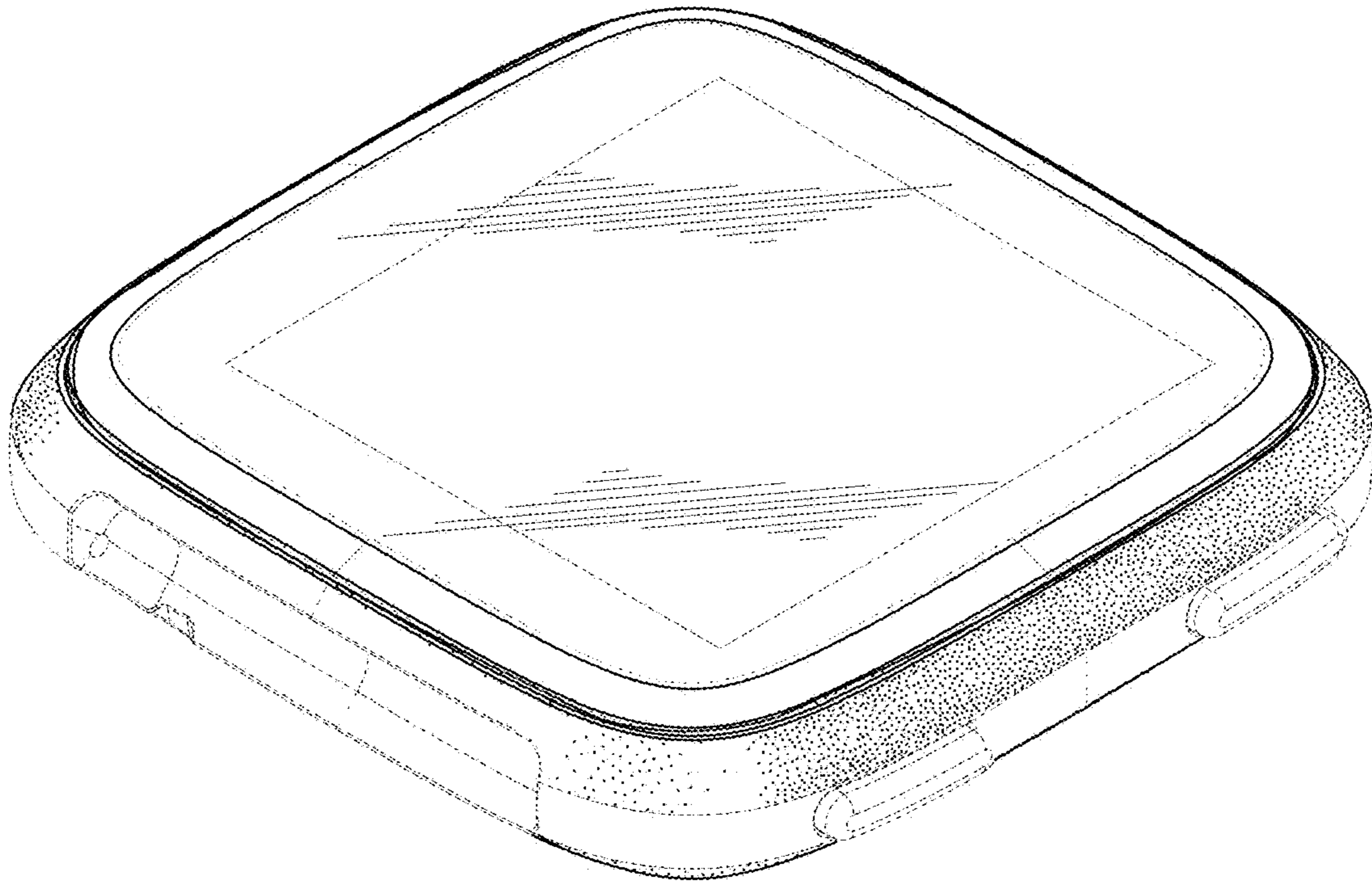


FIG. 1

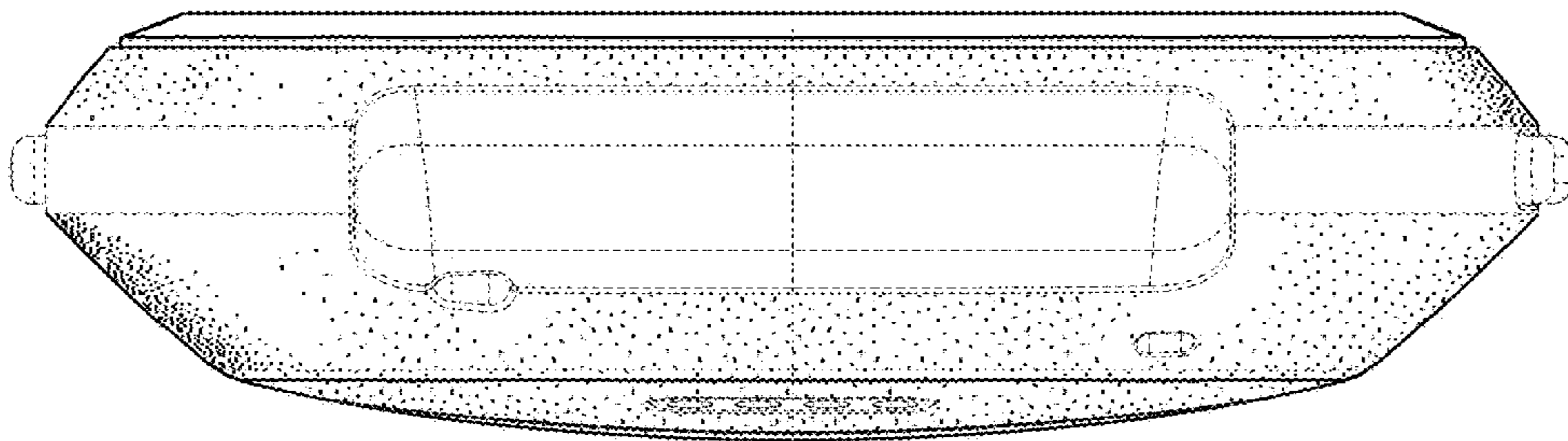


FIG. 2

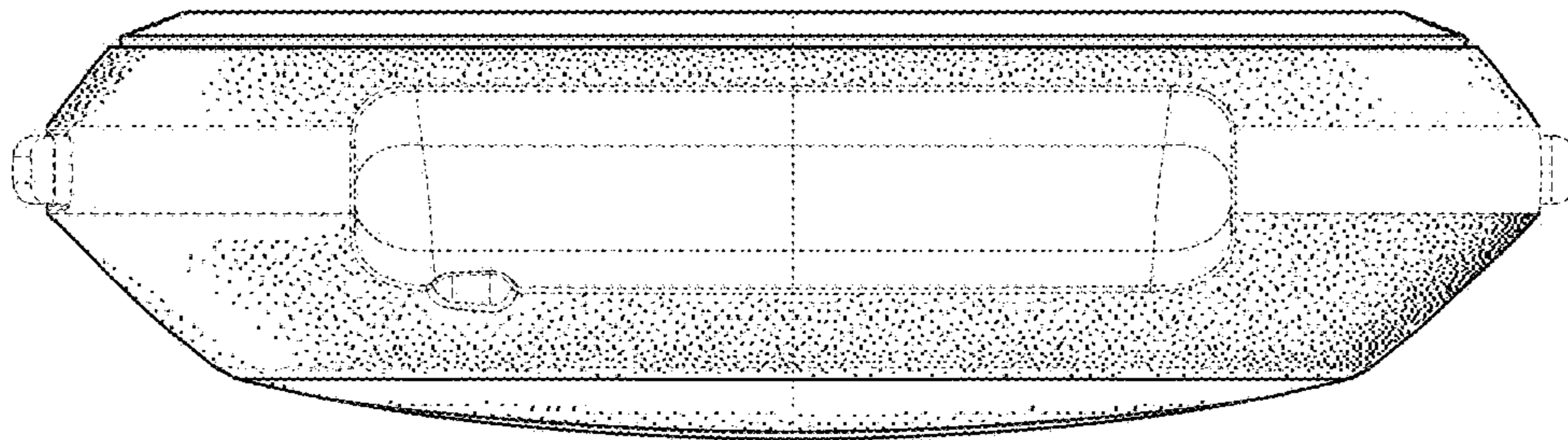


FIG. 3

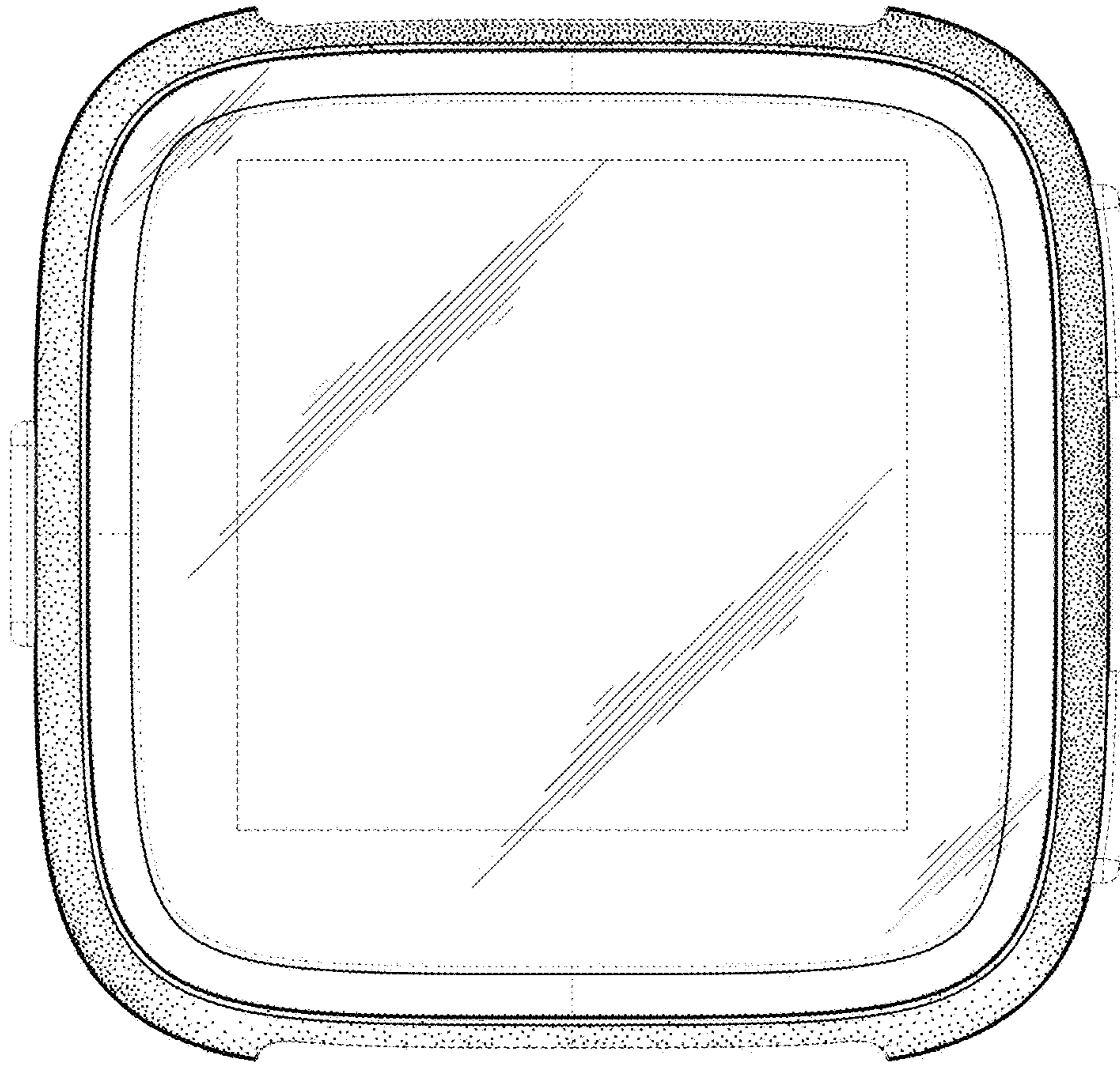


FIG. 4

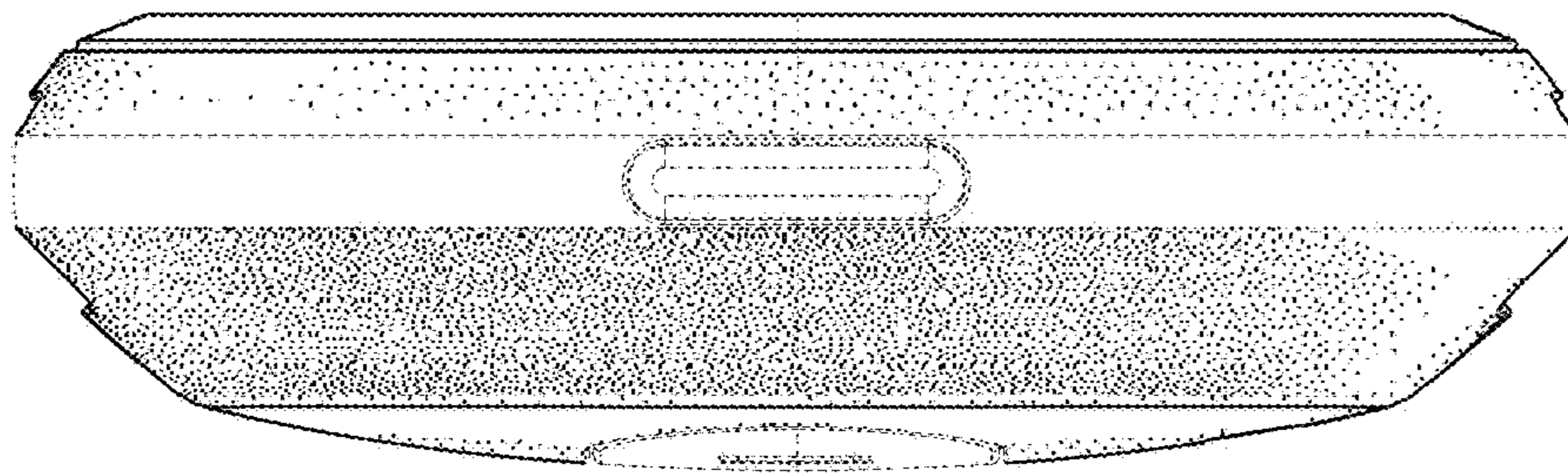


FIG. 5

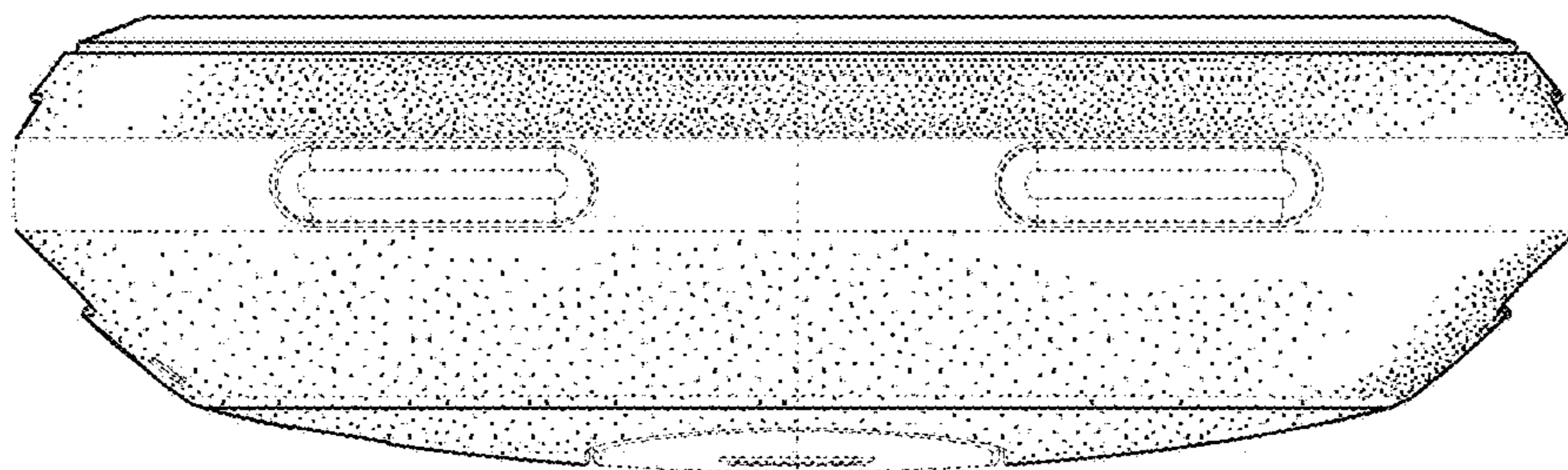


FIG. 6



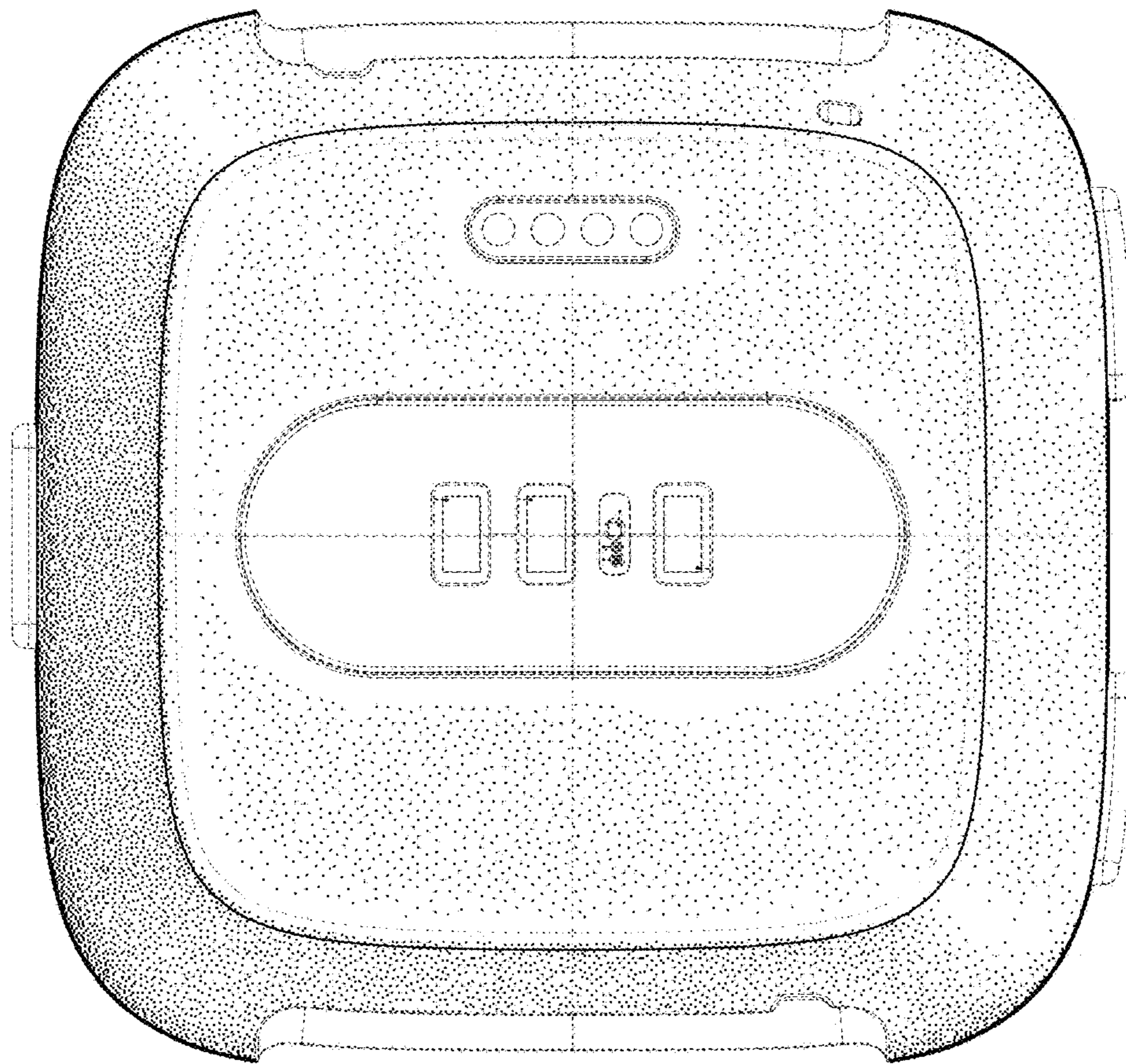


FIG. 7

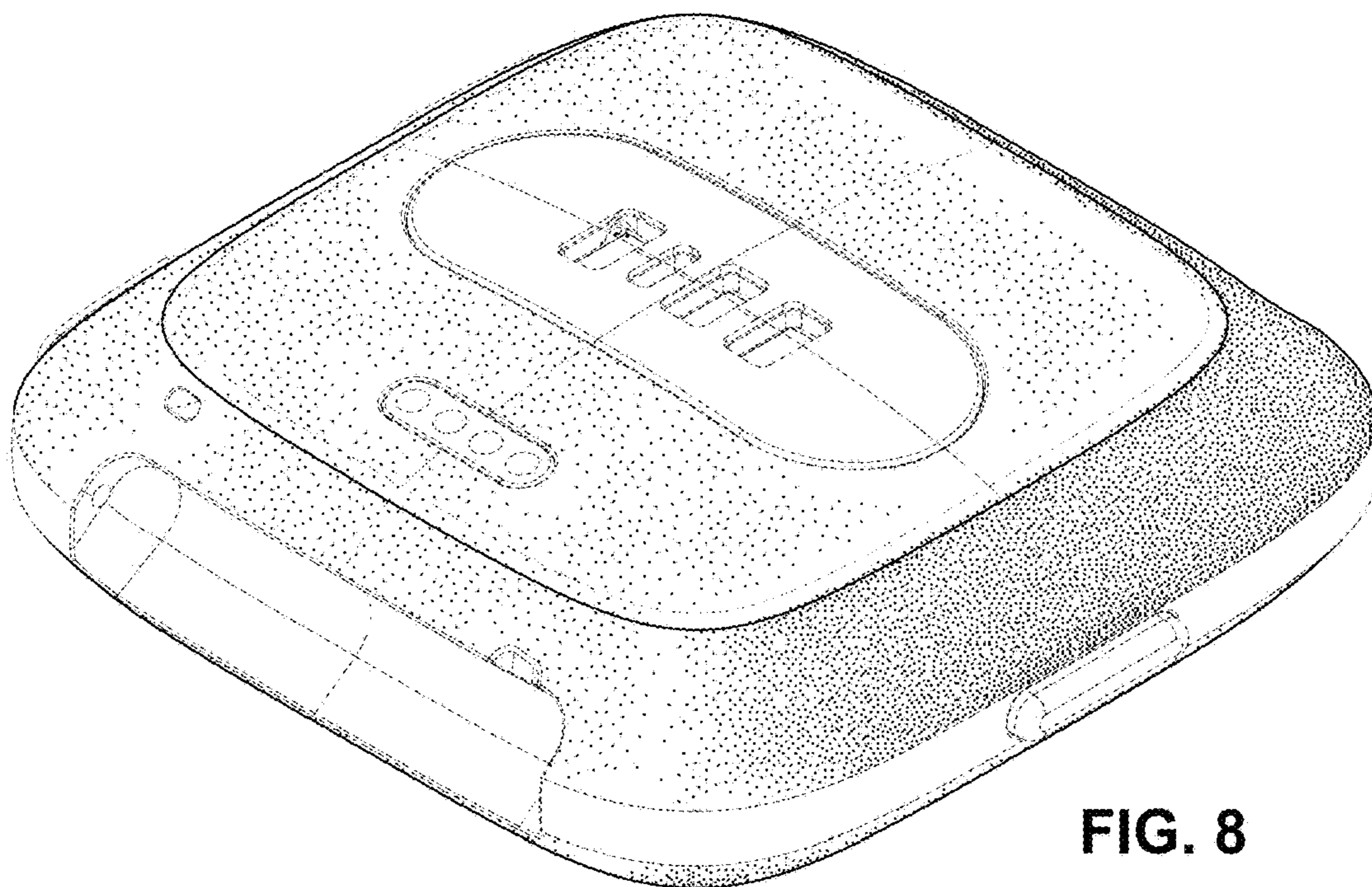


FIG. 8

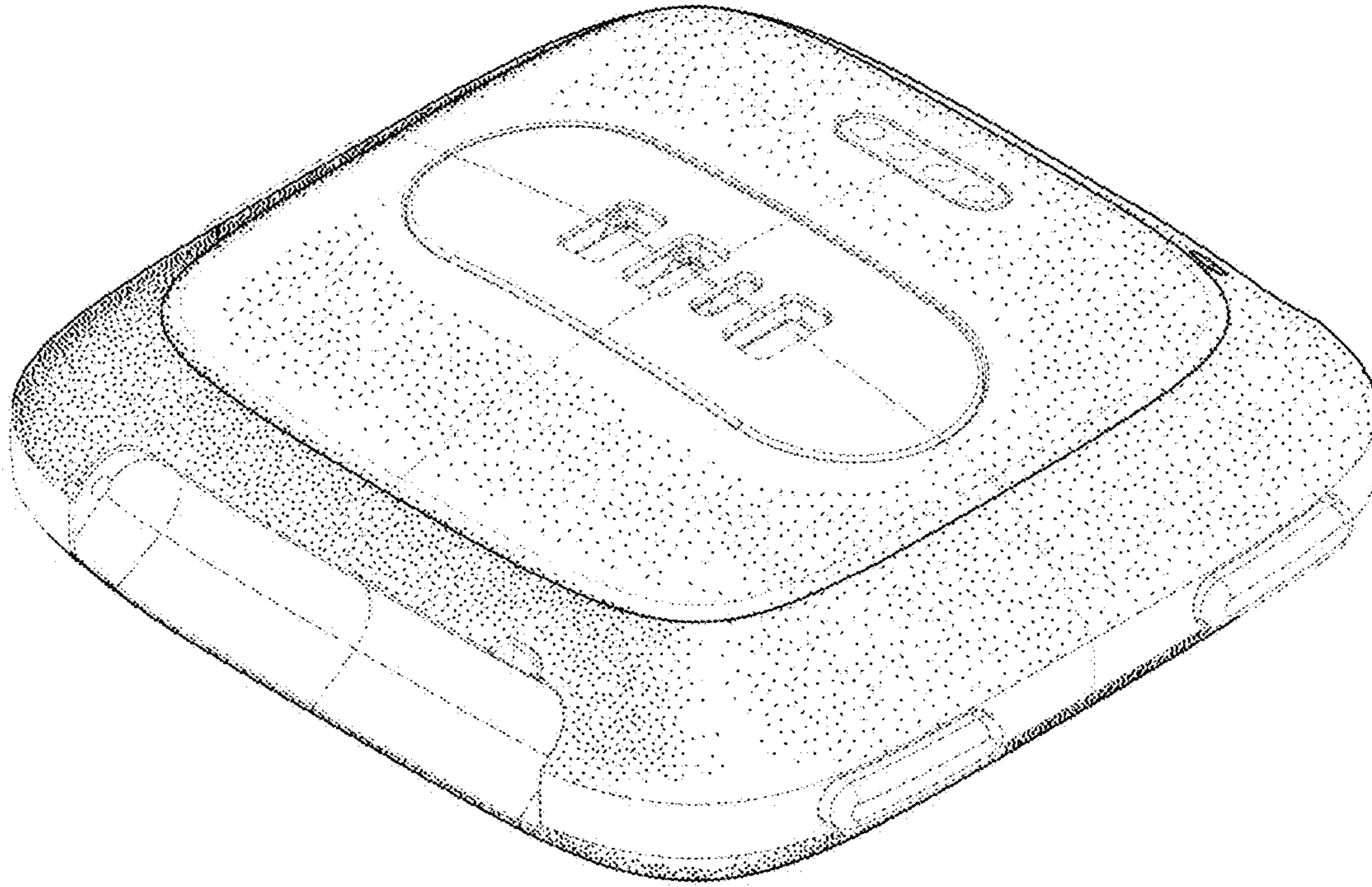


FIG. 9

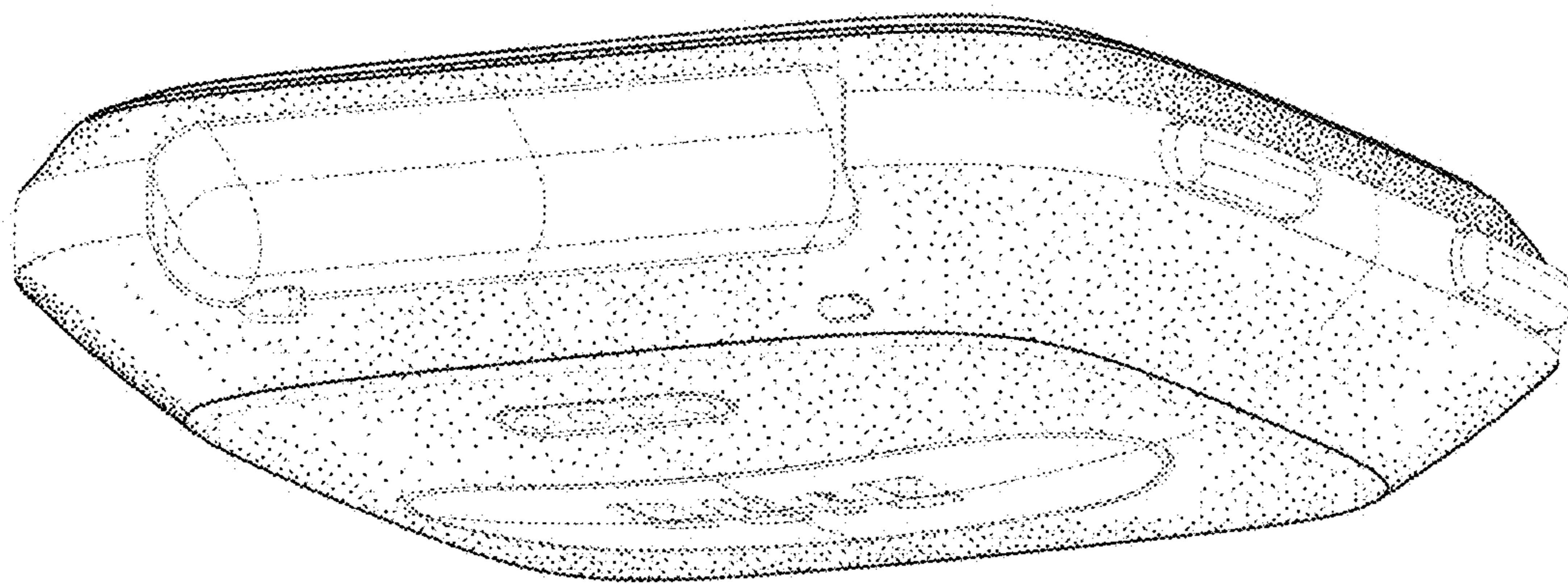


FIG. 10