



US00D842721S

(12) **United States Design Patent**
Lee et al.

(10) **Patent No.: US D842,721 S**
(45) **Date of Patent: ** Mar. 12, 2019**

(54) **FITNESS DEVICE WITH DISPLAY**

5/6826; A61B 5/0537; A61B 5/4872;
A61B 5/6831; A61B 5/4869; A61B
(Continued)

(71) Applicant: **Garmin Switzerland GmbH**,
Schaffhausen (CH)

(72) Inventors: **Juhee Lee**, Olathe, KS (US); **Juliane M. Henne**, Overland Park, KS (US); **Jared L. Mockler**, Olathe, KS (US); **Jonathan J. Huebner**, Olathe, KS (US); **Jason D. George**, Overland Park, KS (US); **Jacob T. Bruce**, Lenexa, KS (US)

(56) **References Cited**

U.S. PATENT DOCUMENTS

D711,268 S * 8/2014 Kim D10/70
D715,668 S * 10/2014 Roush D10/70
(Continued)

(73) Assignee: **Garmin Switzerland GmbH** (CH)

(**) Term: **15 Years**

(21) Appl. No.: **29/618,891**

(22) Filed: **Sep. 25, 2017**

(51) **LOC (11) Cl.** **10-04**

(52) **U.S. Cl.**
USPC **D10/70; D10/30; D10/38; D10/78;**
D10/97; D14/344; D24/167; D24/186

(58) **Field of Classification Search**
USPC **D10/30, 31, 32, 38, 39, 70, 78, 97, 98;**
D14/203.5, 344; D24/167, 186
CPC **G04B 19/00-19/34; G04B 21/12; G04B**
23/12; G04B 37/00-37/228; G04B
47/00-47/068; G04B 45/0069; G04B
47/04; G04B 47/065; G04B 47/066;
G01C 17/00; G01C 21/00-21/3697;
G01C 22/00-22/025; G01C
23/00-23/005; G01C 21/16; G06F
19/3481; G06F 3/00-3/027; G06F 1/163;
G01P 1/00-1/26; G01P 15/00-15/18;
A63B 24/00-2024/0096; A63B 2213/00;
A63B 69/0028; A63B
2071/0658-2071/0666; A63B
2220/00-2220/89; A63B 2225/02; A61B
5/681; A61B 5/6824; A61B 5/6825; A61B

OTHER PUBLICATIONS

Printout from http://gadgetwise.blogs.nytimes.com/2009/07/17/marathon-tech-review-nike-sportband/?_r=0 published prior to Nov. 15, 2013.

(Continued)

Primary Examiner — Antoine Duval Davis

(74) *Attorney, Agent, or Firm* — Samuel M. Korte; Max M. Ali

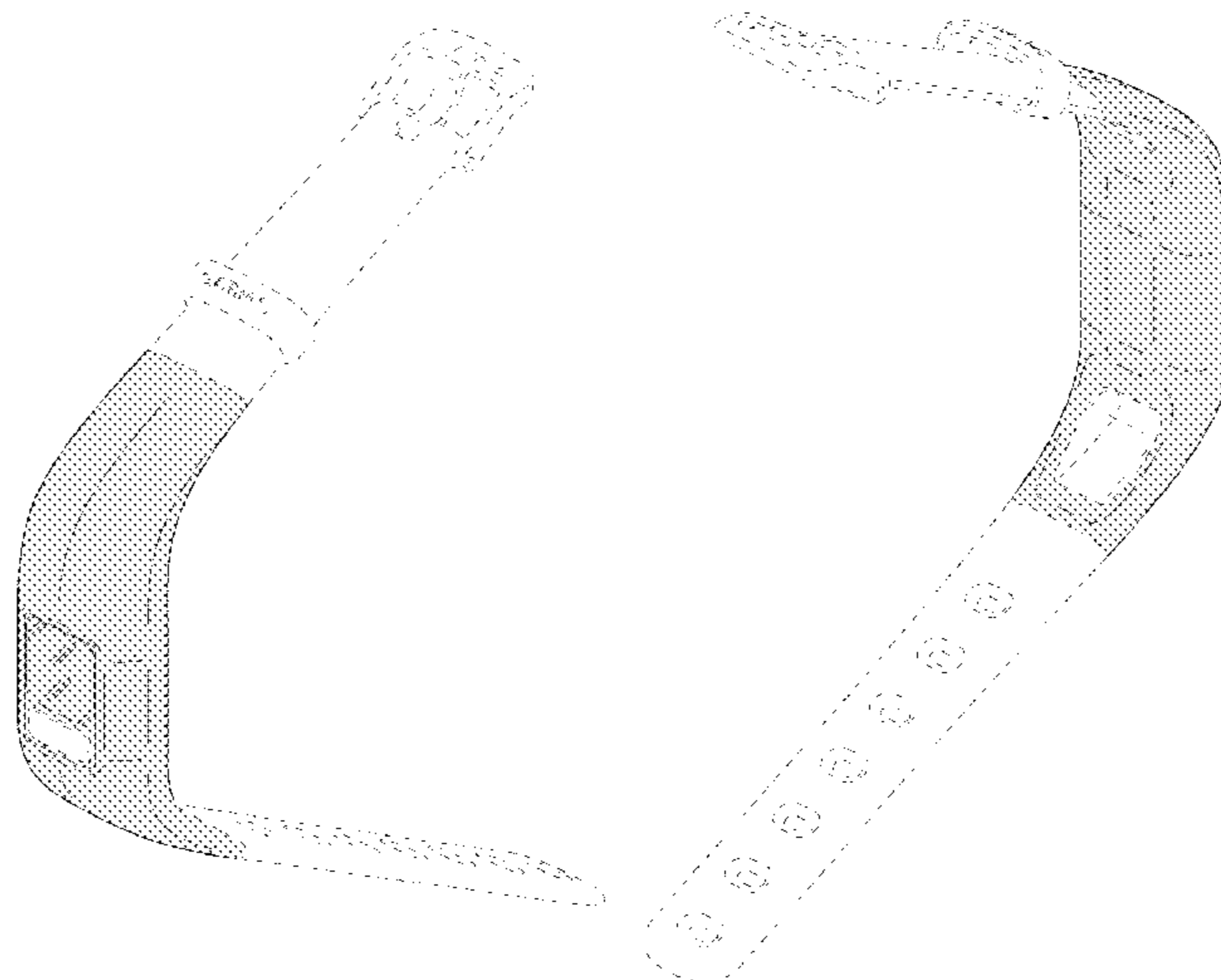
(57) **CLAIM**

The ornamental design for a fitness device with display, as shown and described.

DESCRIPTION

FIG. 1 is a front perspective view of a fitness device with display according to the present invention; FIG. 2 is a rear perspective view of the fitness device with display; FIG. 3 is a top view of the fitness device with display; FIG. 4 is a front view of the fitness device with display; FIG. 5 is a bottom view of the fitness device with display; FIG. 6 is a rear view of the fitness device with display; FIG. 7 is a left side view of the fitness device with display; and, FIG. 8 is a right side view of the fitness device with display. The broken lines shown in the drawings represent portions of the fitness watch that form no part of the claimed design.

1 Claim, 4 Drawing Sheets



(58) **Field of Classification Search**

CPC 5/0858; A61B 5/1075; A61B 5/107; A61B 5/4875; A61B 5/4878; A61B 5/4881; A61B 5/61-5/6898; A44C 5/00-5/16; A63C 11/02; G04R 20/02; G04C 10/00; G04C 10/02; G08B 21/0269; G08B 21/0272; G08B 21/0286; G08B 21/0288; G08B 21/0291; G08B 21/04-21/2454; G01S 19/00-19/55; G04G 9/0064; G04G 9/005

See application file for complete search history.

(56) **References Cited**

U.S. PATENT DOCUMENTS

D717,956 S * 11/2014 Alexander D24/167
 D718,647 S * 12/2014 Roush D10/70
 D720,635 S * 1/2015 Park D10/70
 D721,981 S * 2/2015 Choi D10/70
 D724,453 S * 3/2015 Ogihara D10/70
 D725,510 S * 3/2015 Henning D10/70
 D726,572 S * 4/2015 Walters D11/3
 D729,650 S * 5/2015 Phillips D10/32
 D729,657 S * 5/2015 Behar D10/70
 D730,211 S * 5/2015 Behar D10/70
 D730,347 S * 5/2015 Jung D14/344
 D730,763 S * 6/2015 Haapakoski D10/70
 D738,759 S * 9/2015 Behar D10/39
 D739,273 S * 9/2015 Behar D10/39
 9,141,087 B2 * 9/2015 Brown G04F 10/00
 D740,140 S * 10/2015 Behar D10/39
 D740,702 S * 10/2015 Behar D10/39
 D744,357 S * 12/2015 Behar D10/70
 D744,358 S * 12/2015 Behar D10/70
 D746,477 S * 12/2015 Cha D24/186
 D747,714 S * 1/2016 Erbeus D10/32
 D751,069 S * 3/2016 Choi D10/32
 D751,549 S * 3/2016 Park D10/38
 D757,583 S * 5/2016 Roush D10/70
 D759,516 S * 6/2016 Ling D10/30
 D772,867 S * 11/2016 Park D10/39
 D772,870 S * 11/2016 Park D14/138 R
 D772,871 S * 11/2016 Park D14/138 R
 D772,872 S * 11/2016 Park D14/138 R
 9,513,665 B2 * 12/2016 Magi G06F 1/163
 D779,989 S * 2/2017 Lee D10/70
 9,594,404 B2 * 3/2017 Yoon G01R 33/07
 D786,862 S * 5/2017 Park D14/344
 D787,960 S * 5/2017 Park D10/39
 D788,608 S * 6/2017 Houin D10/38
 D788,609 S * 6/2017 Lenz D10/38
 D790,374 S * 6/2017 Lean D10/39
 D796,045 S * 8/2017 Henning D14/344
 D800,109 S * 10/2017 Rouillac D14/344

D800,111 S * 10/2017 Rochat D14/344
 D802,453 S * 11/2017 Page D10/70
 D804,471 S * 12/2017 von Badinski D14/344
 D805,413 S * 12/2017 Chen D10/70
 D805,643 S * 12/2017 Wu D24/167
 D807,214 S * 1/2018 Au Yeung D10/98
 D808,385 S * 1/2018 Yuan D14/344
 D808,962 S * 1/2018 Wu D14/344
 D809,144 S * 1/2018 Wu D24/167
 9,874,457 B2 * 1/2018 Fung G16H 40/63
 D809,509 S * 2/2018 Bosveld D14/344
 D810,734 S * 2/2018 Rochat D14/344
 9,895,096 B2 * 2/2018 Nims A61B 5/222
 D812,608 S * 3/2018 Jones D14/344
 D814,642 S * 4/2018 Mockler D24/186
 D814,643 S * 4/2018 Mockler D24/186
 D815,635 S * 4/2018 Lumme D14/344
 D816,080 S * 4/2018 Chen D14/344
 D816,668 S * 5/2018 Wu D14/344
 D817,784 S * 5/2018 Swenson D10/32
 D818,467 S * 5/2018 Son D14/344
 D818,855 S * 5/2018 Tooze D10/70
 9,962,082 B2 * 5/2018 Kim A61B 5/6803
 9,983,629 B2 * 5/2018 Ko G06F 1/163
 D822,836 S * 7/2018 Wu D24/186
 D824,899 S * 8/2018 Yang D14/344
 D827,838 S * 9/2018 Lillquist D24/186

OTHER PUBLICATIONS

Printout from <http://mashable.com/2011/11/02/jawbone-up-99-wristband-rule-life/> published prior to Nov. 15, 2013.
 Printout from <http://mashable.com/2013/07/02/fitbit-flex-review> ; published prior to Jan. 3, 2014.
 Printout from <http://pixmob.com/product/> published prior to Feb. 18, 2016.
 Printout from http://store.nike.com/us/en_us/pd/fuelband-se/pid-924482/pgid-924484 published prior to Nov. 15, 2013.
 Printout from <http://www.bestfitnesstrackerreviews.com/larklife-lark-band-review.html> published prior to Nov. 15, 2013.
 Printout from <http://www.mi.com/en/miband/#01> published prior to Feb. 18, 2016.
 Printout from <http://www.mi.com/en/miband2/> published prior to Sep. 25, 2017.
 Printout from <http://www.theverge.com/2013/5/6/4303072/fitbit-flex-review> published prior to Nov. 15, 2013.
 Printout from <https://jawbone.com/store/buy/up3> published prior to Jun. 26, 2015.
 Printout from <https://misfit.com/products/misfit-ray> published prior to Feb. 18, 2016.
 Printout from <https://www.fitbit.com/alta/> ; published prior to Sep. 25, 2017.

* cited by examiner

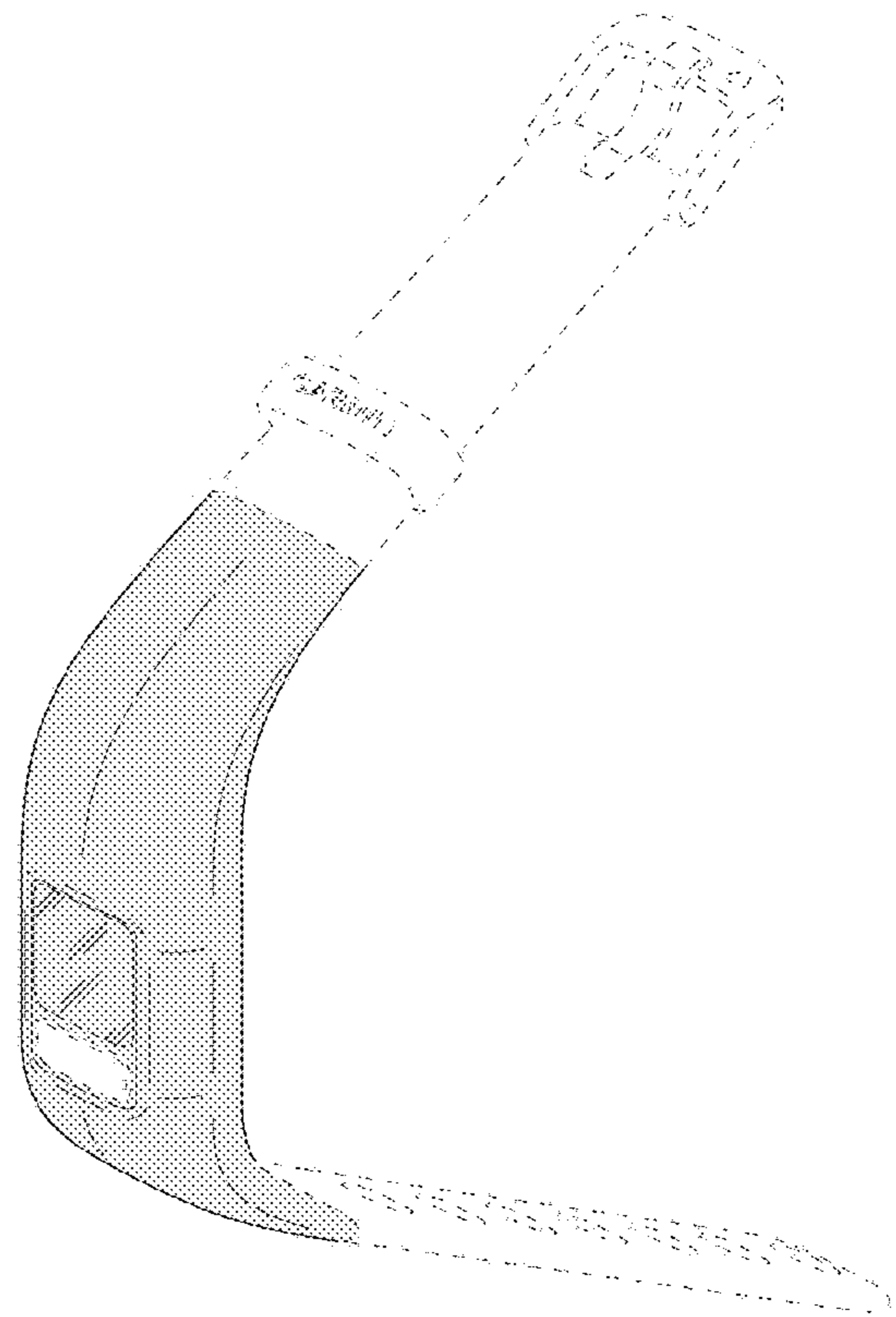


Fig. 1

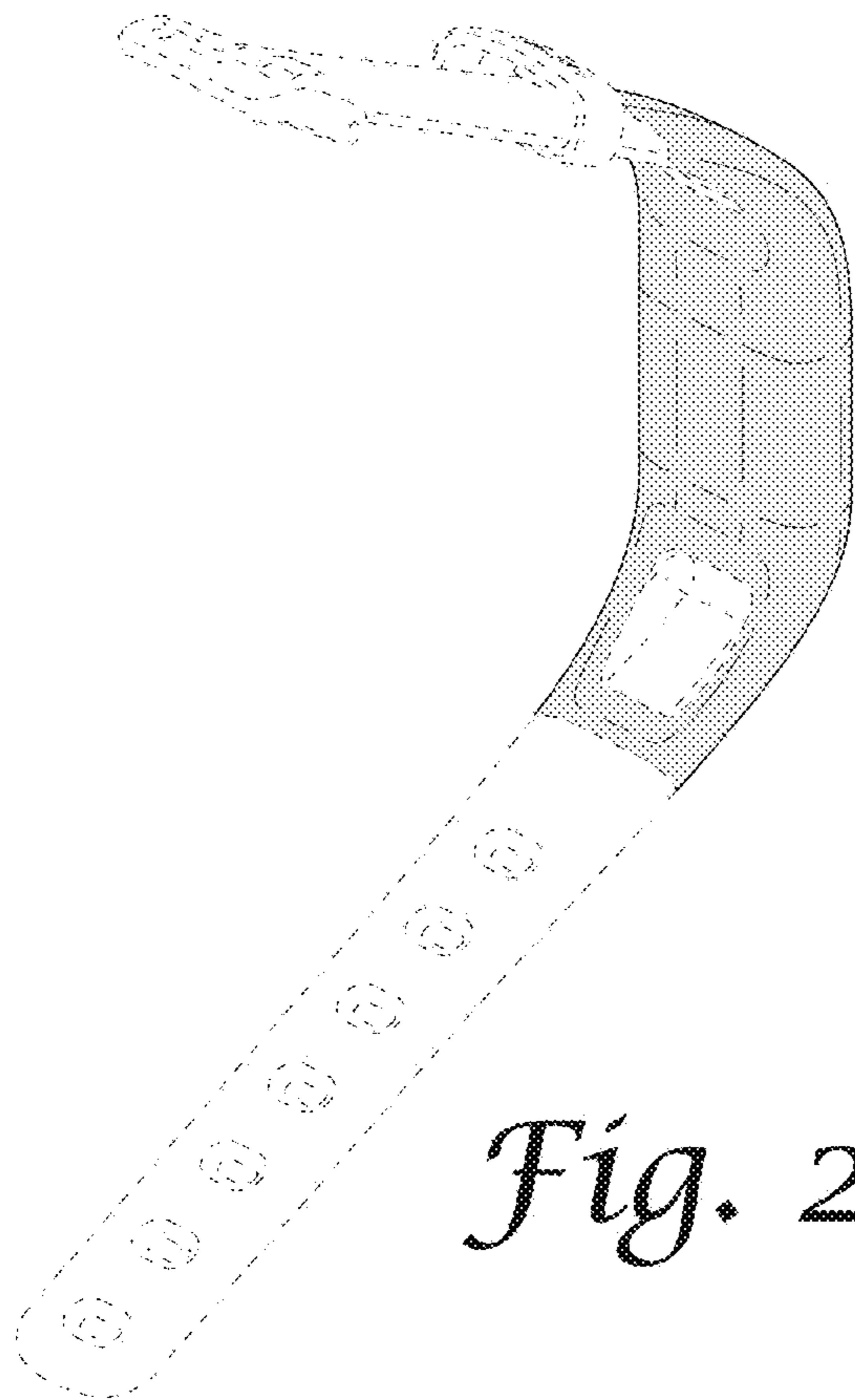


Fig. 2

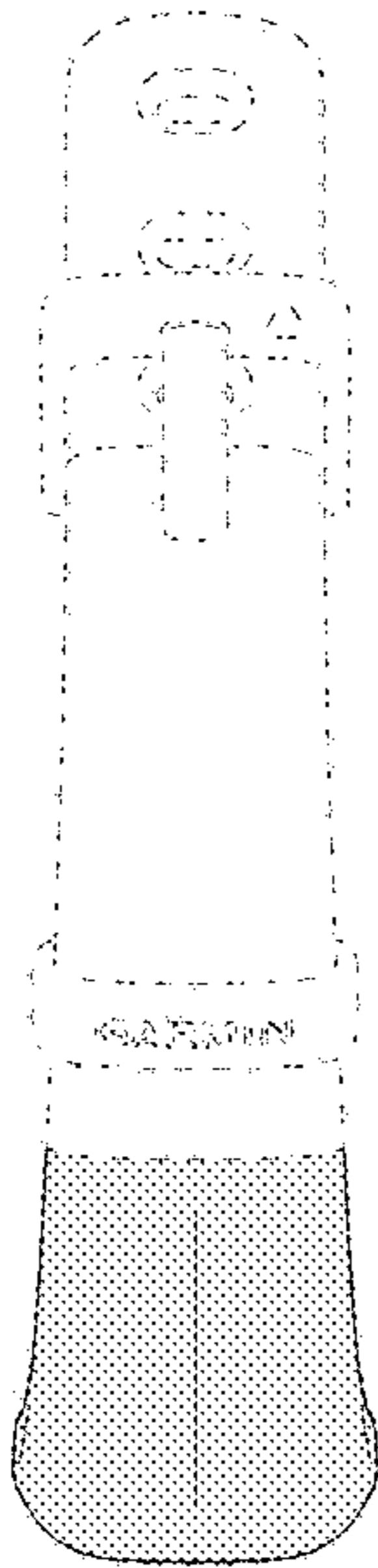


Fig. 3

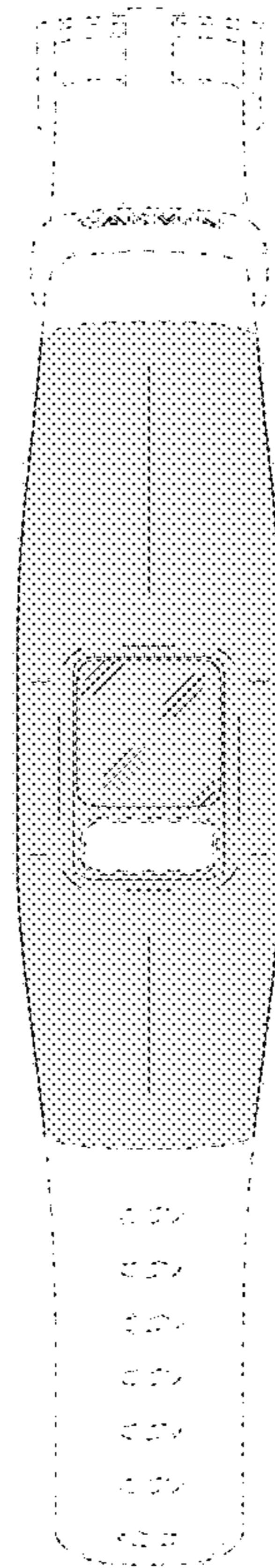


Fig. 4



Fig. 5

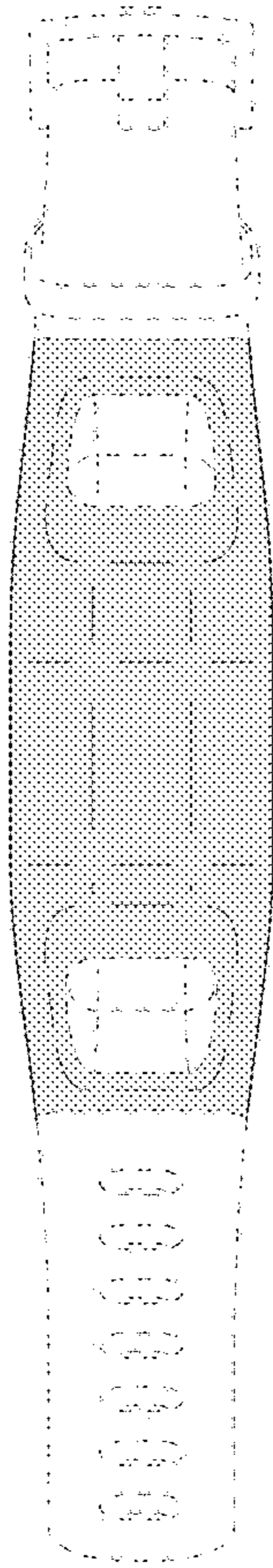


Fig. 6

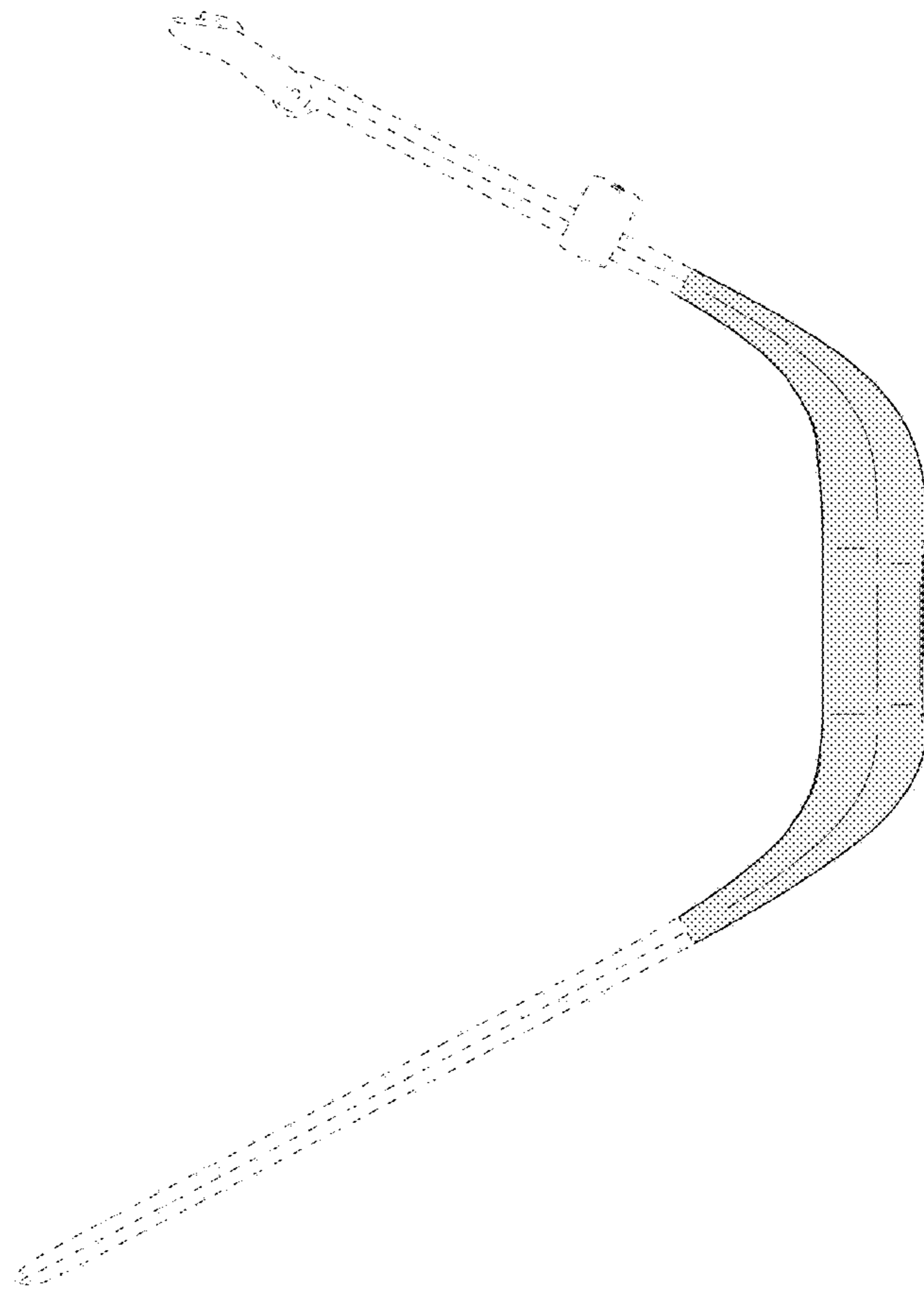


Fig. 7

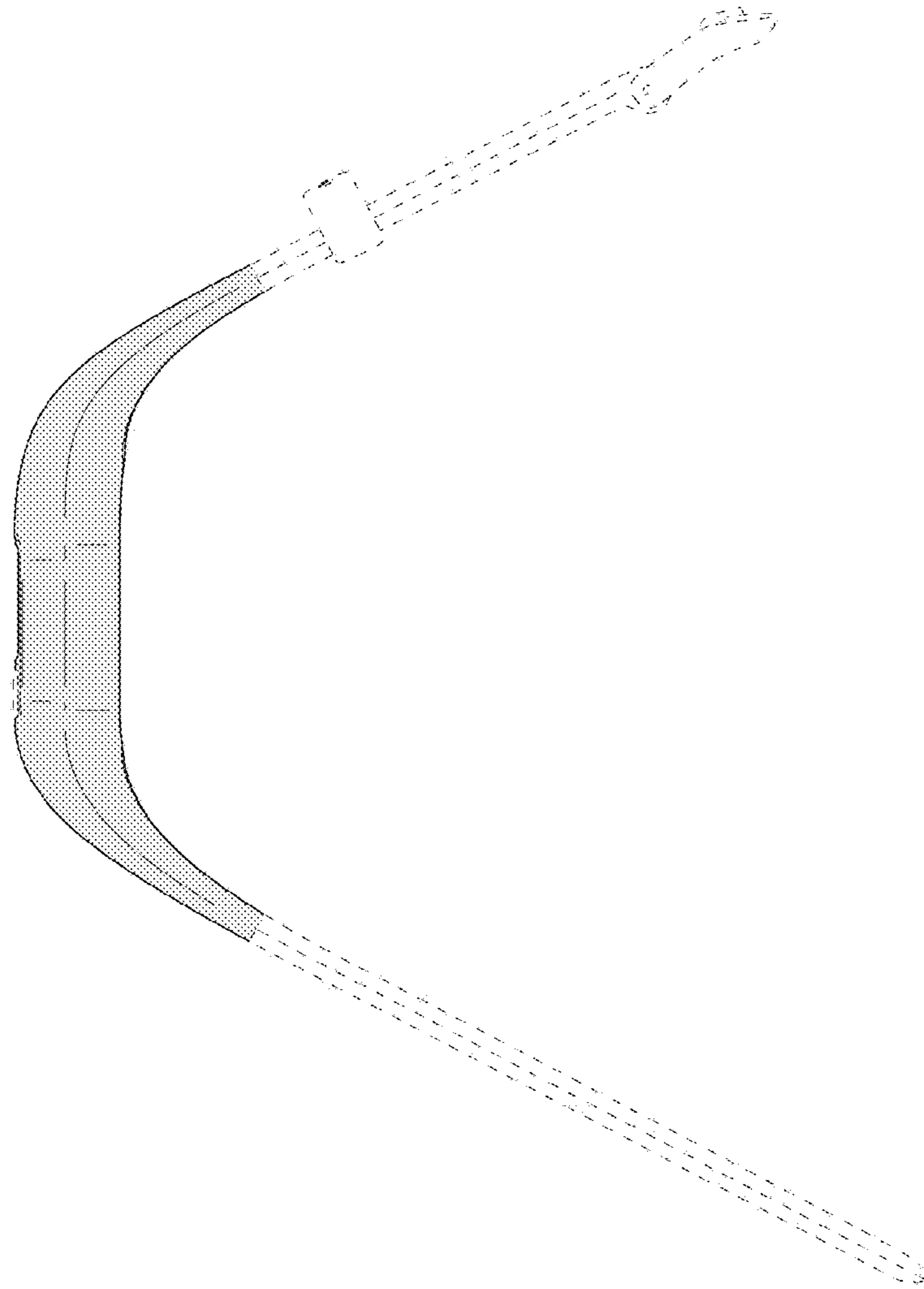


Fig. 8