



US00D842720S

(12) **United States Design Patent**
Doan et al.

(10) **Patent No.:** **US D842,720 S**

(45) **Date of Patent:** **** Mar. 12, 2019**

(54) **WEARABLE DEVICE**

(71) Applicant: **GlaxoSmithKline Consumer Healthcare Holdings, US, LLC**,
Wilmington, DE (US)

(72) Inventors: **Brian Doan**, Warren, NJ (US); **Jeffrey Brunner**, Warren, NJ (US); **Alexander James Peacop**, Worcestershire (GB); **Martin Crofton**, West Midlands (GB)

(73) Assignee: **GlaxoSmithKline Consumer Healthcare Holdings (US) LLC**,
Wilmington, DE (US)

(**) Term: **15 Years**

(21) Appl. No.: **29/612,587**

(22) Filed: **Aug. 2, 2017**

(51) **LOC (11) Cl.** **10-04**

(52) **U.S. Cl.**
USPC **D10/70; D10/38; D10/78; D10/97;**
D10/30; D14/344

(58) **Field of Classification Search**

USPC D10/30, 31, 32, 38, 39, 70, 78, 97, 98;
D11/3; D14/203.5, 344; D24/167, 186
CPC A44C 5/00-5/16; G04B 37/00-37/228;
G04B 45/0069; G04B 47/04; G04B
19/00-19/34; G04B 21/12; G04B 23/12;
G04B 47/00-47/068; G04B 47/065;
G04B 47/066; G01C 17/00; G01C
21/00-21/3697; G01C 22/00-22/025;
G01C 23/00-23/005; G01C 21/16; G06F
19/3481; G06F 3/00-3/027; G06F 1/163;
G01P 1/00-1/26; G01P 15/00-15/18;
A63B 24/00-2024/0096; A63B 2213/00;
A63B 69/0028; A63B
2071/0658-2071/0666; A63B
2220/00-2220/89; A63B 2225/02; A61B
5/0537; A61B 5/4872; A61B 5/6831;
A61B 5/4869; A61B 5/0858; A61B
5/1075; A61B 5/107; A61B 5/4875; A61B
5/4878; A61B 5/4881; A61B

5/61-5/6898; A61B 5/681; A61B 5/6824;
A61B 5/6825; A61B 5/6826; G04R
20/02; G04C 10/00; G04C 10/02; G08B
21/0269; G08B 21/0272; G08B 21/0286;
G08B 21/0288; G08B 21/0291; G08B
21/04-21/2454; G01S 19/00-19/55;
G04G 9/0064; G04G 9/0005; A63C 11/02

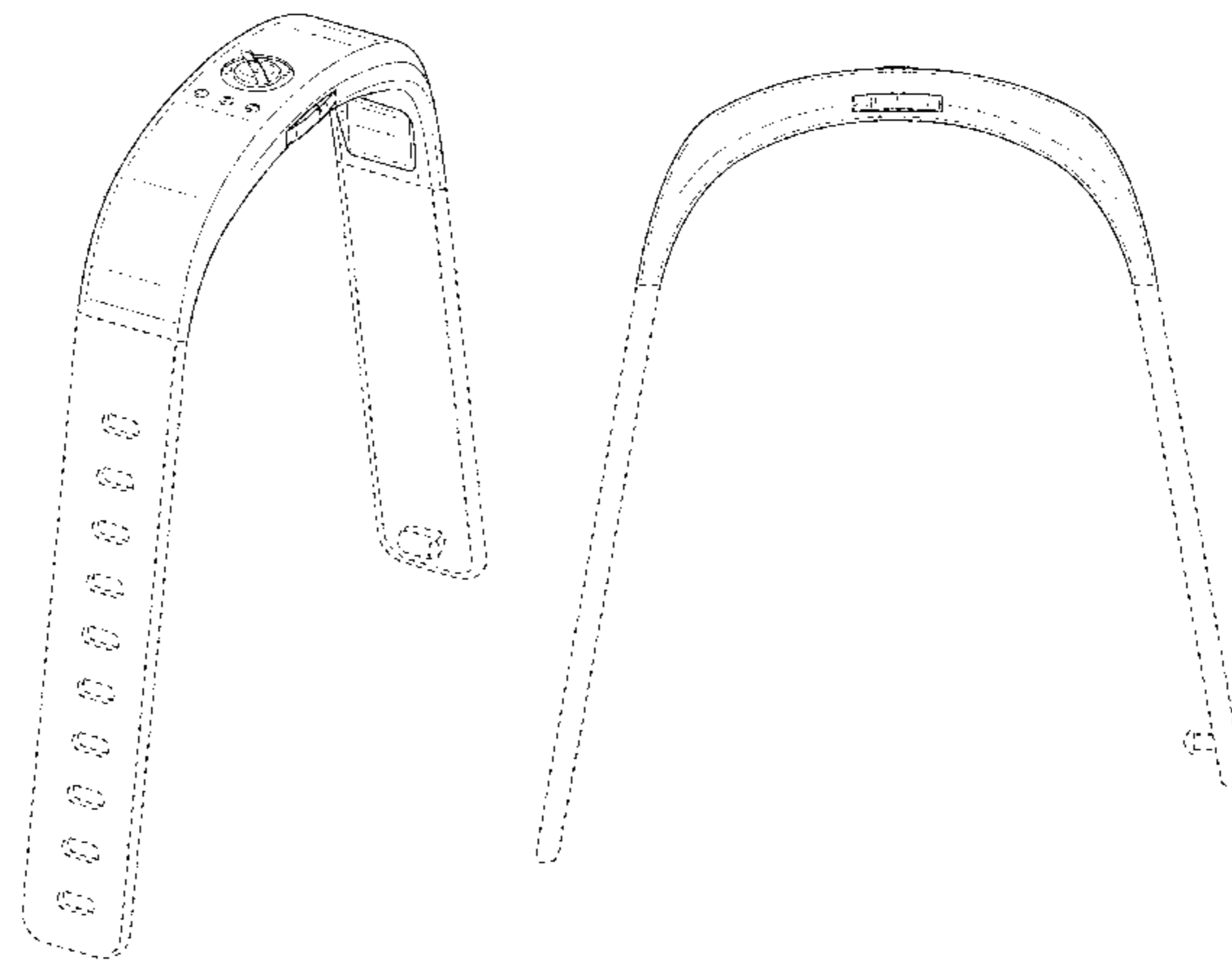
See application file for complete search history.

(56)

References Cited

U.S. PATENT DOCUMENTS

D501,260 S	1/2005	Mitrevis	
D501,937 S	2/2005	Mitrevis	
D508,741 S	8/2005	Mitrevis	
D509,760 S	9/2005	Burrell	
D513,806 S	1/2006	Mitrevis	
D549,602 S	8/2007	Oberrieder et al.	
D550,105 S	9/2007	Oberrieder et al.	
D560,520 S	1/2008	Oberrieder et al.	
D562,888 S	2/2008	Brown	
D565,095 S	3/2008	Brown	
D565,096 S	3/2008	Brown	
D565,097 S	3/2008	Brown	
D596,510 S	7/2009	Register et al.	
D610,922 S	3/2010	Lammers-Meis et al.	
D657,697 S	4/2012	Lammers-Meis et al.	
D660,726 S	5/2012	Register et al.	
D661,206 S	6/2012	Register et al.	
D682,712 S	5/2013	Lammers-Meis et al.	
D706,531 S	6/2014	Park et al.	
D707,041 S	6/2014	Park et al.	
D711,268 S	* 8/2014	Kim	D10/70
D714,672 S	10/2014	Park et al.	
D715,665 S	10/2014	Park et al.	
D715,666 S	10/2014	Park et al.	
D715,668 S	* 10/2014	Roush	D10/70
D717,680 S	11/2014	Park et al.	
D717,956 S	* 11/2014	Alexander	D24/167
D718,647 S	* 12/2014	Roush	D10/70
D720,249 S	12/2014	Park et al.	
D720,635 S	* 1/2015	Park	D10/70
D721,981 S	* 2/2015	Choi	D10/70
D724,453 S	* 3/2015	Ogihara	D10/70
D724,468 S	3/2015	Tan et al.	
D725,497 S	3/2015	Henne et al.	
D725,510 S	* 3/2015	Henning	D10/70
D726,572 S	* 4/2015	Walters	D11/3
D727,183 S	4/2015	Park et al.	
D727,759 S	4/2015	Martinez et al.	



D729,650 S *	5/2015	Phillips	D10/32
D729,657 S *	5/2015	Behar	D10/70
D729,806 S	5/2015	Park et al.	
D730,211 S *	5/2015	Behar	D10/70
D730,347 S *	5/2015	Jung	D14/344
D730,763 S *	6/2015	Haapakoski	D10/70
D733,604 S	7/2015	Tan et al.	
D737,716 S	9/2015	Tan et al.	
D738,759 S *	9/2015	Behar	D10/39
D738,769 S	9/2015	Tan et al.	
D739,268 S	9/2015	Lammers-Meis et al.	
D739,273 S *	9/2015	Behar	D10/39
D739,768 S	9/2015	Hanshew et al.	
9,141,087 B2 *	9/2015	Brown	G04F 10/00
D740,136 S	10/2015	Henne et al.	
D740,140 S *	10/2015	Behar	D10/39
D740,702 S *	10/2015	Behar	D10/39
D742,254 S	11/2015	Greusel et al.	
D742,761 S	11/2015	Grazian et al.	
D744,357 S *	12/2015	Behar	D10/70
D744,358 S *	12/2015	Behar	D10/70
D746,477 S *	12/2015	Cha	D24/186
D746,776 S	1/2016	Park et al.	
D747,714 S *	1/2016	Erbeus	D10/32
D749,002 S	2/2016	Park et al.	
D751,069 S *	3/2016	Choi	D10/32
D751,549 S *	3/2016	Park	D10/38
D756,240 S	5/2016	Register et al.	
D757,583 S *	5/2016	Roush	D10/70
D759,516 S *	6/2016	Ling	D10/30
D759,523 S	6/2016	Ling et al.	
D759,826 S	6/2016	Martinez et al.	
D763,107 S	8/2016	Nielsen et al.	
D763,719 S	8/2016	Nielsen et al.	
D766,758 S	9/2016	Park et al.	
D768,028 S	10/2016	Ling et al.	
D772,081 S	11/2016	Lee et al.	
D772,867 S *	11/2016	Park	D10/39
D772,870 S *	11/2016	Park	D14/138 R
D772,871 S *	11/2016	Park	D14/138 R
D772,872 S *	11/2016	Park	D14/138 R
9,513,665 B2 *	12/2016	Magi	G06F 1/163
D777,590 S	1/2017	Nielsen et al.	
D779,989 S *	2/2017	Lee	D10/70
9,594,404 B2 *	3/2017	Yoon	G01R 33/07
D790,994 S	4/2017	Nielsen et al.	
D786,862 S *	5/2017	Park	D14/344
D787,960 S *	5/2017	Park	D10/39
D788,608 S *	6/2017	Houin	D10/38
D788,609 S *	6/2017	Lenz	D10/38
D790,374 S *	6/2017	Lean	D10/39
D795,719 S	8/2017	Lean et al.	
D796,045 S *	8/2017	Henning	D14/344
D796,368 S	9/2017	Lowe et al.	
D800,109 S *	10/2017	Rouillac	D14/344
D800,111 S *	10/2017	Rochat	D14/344
D802,453 S *	11/2017	Page	D10/70
D804,471 S *	12/2017	von Badinski	D14/344
D805,413 S *	12/2017	Chen	D10/70
D805,643 S *	12/2017	Wu	D24/167
D807,214 S *	1/2018	Au Yeung	D10/98
D808,385 S *	1/2018	Yuan	D14/344
D808,962 S *	1/2018	Wu	D14/344
D809,144 S *	1/2018	Wu	D24/167
9,874,457 B2 *	1/2018	Fung	G16H 40/63
D809,509 S *	2/2018	Bosveld	D14/344
D810,734 S *	2/2018	Rochat	D14/344
9,895,096 B2 *	2/2018	Nims	A61B 5/222
D812,608 S *	3/2018	Jones	D14/344
D814,642 S *	4/2018	Mockler	D24/186
D814,643 S *	4/2018	Mockler	D24/186
D815,635 S *	4/2018	Lumme	D14/344
D816,080 S *	4/2018	Chen	D14/344
D816,668 S *	5/2018	Wu	D14/344
D817,784 S *	5/2018	Swenson	D10/32
D818,467 S *	5/2018	Son	D14/344
D818,855 S *	5/2018	Tooze	D10/70
9,962,082 B2 *	5/2018	Kim	A61B 5/6803
9,983,629 B2 *	5/2018	Ko	G06F 1/163

D822,836 S *	7/2018	Wu	D24/186
D824,899 S *	8/2018	Yang	D14/344
D827,838 S *	9/2018	Lillquist	D24/186

OTHER PUBLICATIONS

U.S. Appl. No. 29/612,584, filed Aug. 2, 2017; corresponds to GSK.
 U.S. Appl. No. 29/612,585, filed Aug. 2, 2017; corresponds to GSK.
 U.S. Appl. No. 29/612,586, filed Aug. 2, 2017; corresponds to GSK.

* cited by examiner

Primary Examiner — Antoine Duval Davis
 (74) *Attorney, Agent, or Firm* — Joshua C. Sanders

(57) CLAIM

We claim the ornamental design for a wearable device, as shown and described.

DESCRIPTION

FIG. 1 is a perspective view of a first embodiment of a wearable device;
 FIG. 2 is a left side view of a first embodiment of a wearable device;
 FIG. 3 is a right side view of a first embodiment of a wearable device;
 FIG. 4 is a front view of a first embodiment of a wearable device;
 FIG. 5 is a back view of a first embodiment of a wearable device;
 FIG. 6 is a top view of a first embodiment of a wearable device;
 FIG. 7 is a bottom view of a first embodiment of a wearable device;
 FIG. 8 is a perspective view of a second embodiment of a wearable device;
 FIG. 9 is a left side view of a second embodiment of a wearable device;
 FIG. 10 is a right side view of a second embodiment of a wearable device;
 FIG. 11 is a front view of a second embodiment of a wearable device;
 FIG. 12 is a back view of a second embodiment of a wearable device;
 FIG. 13 is a top view of a second embodiment of a wearable device;
 FIG. 14 is a bottom view of a second embodiment of a wearable device;
 FIG. 15 is a perspective view of a third embodiment of a wearable device;
 FIG. 16 is a left side view of a third embodiment of a wearable device;
 FIG. 17 is a right side view of a third embodiment of a wearable device;
 FIG. 18 is a front view of a third embodiment of a wearable device;
 FIG. 19 is a back view of a third embodiment of a wearable device;
 FIG. 20 is a top view of a third embodiment of a wearable device;
 FIG. 21 is a bottom view of a third embodiment of a wearable device;
 FIG. 22 is a perspective view of a fourth embodiment of a wearable device;

FIG. **23** is a left side view of a fourth embodiment of a wearable device;

FIG. **24** is a right side view of a fourth embodiment of a wearable device;

FIG. **25** is a front view of a fourth embodiment of a wearable device;

FIG. **26** is a back view of a fourth embodiment of a wearable device;

FIG. **27** is a top view of a fourth embodiment of a wearable device; and,

FIG. **28** is a bottom view of a fourth embodiment of a wearable device.

The broken line showing of structural features is included for the purpose of illustrating non-claimed subject matter and forms no part of the claimed design.

1 Claim, 28 Drawing Sheets

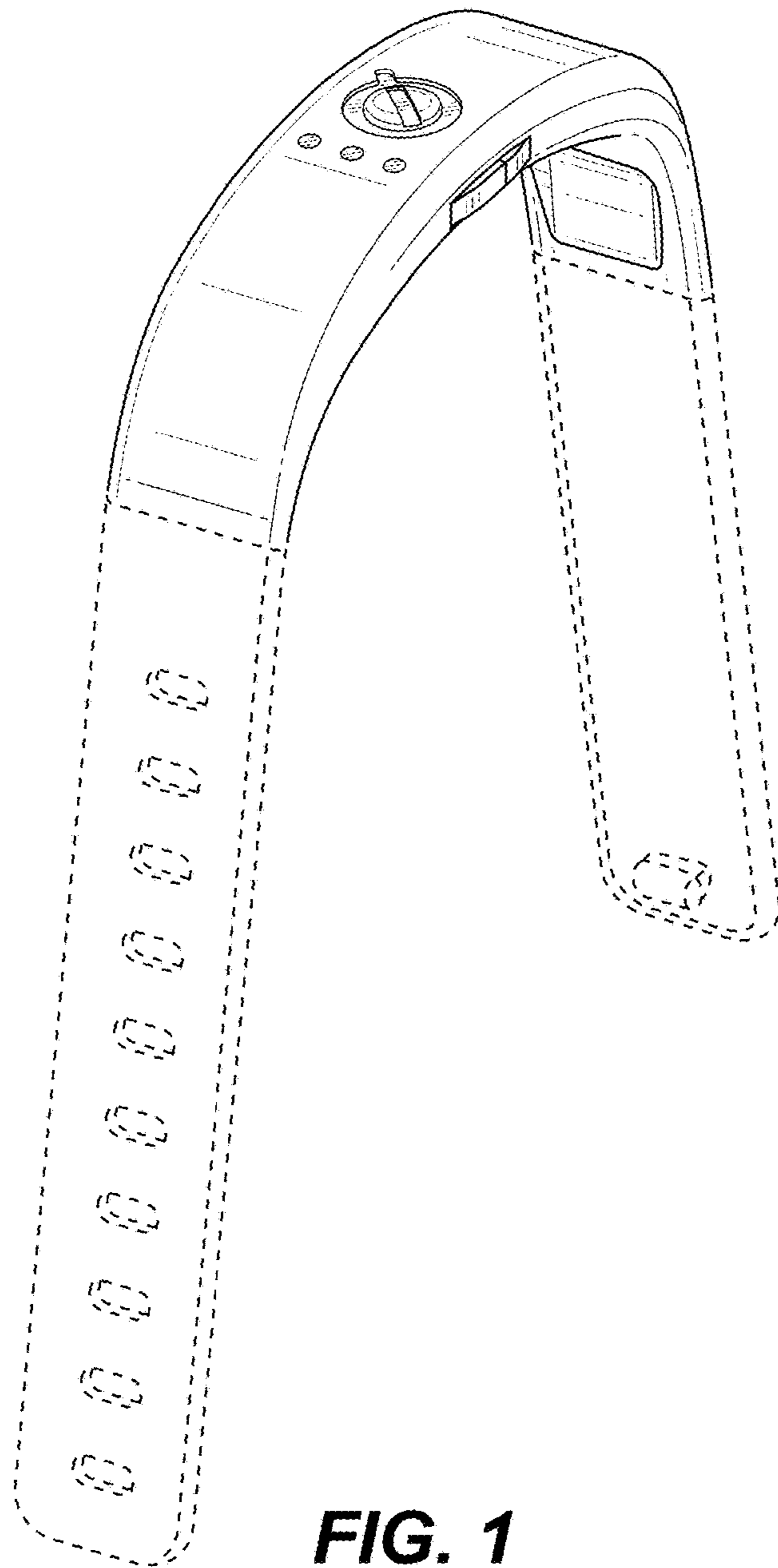


FIG. 1

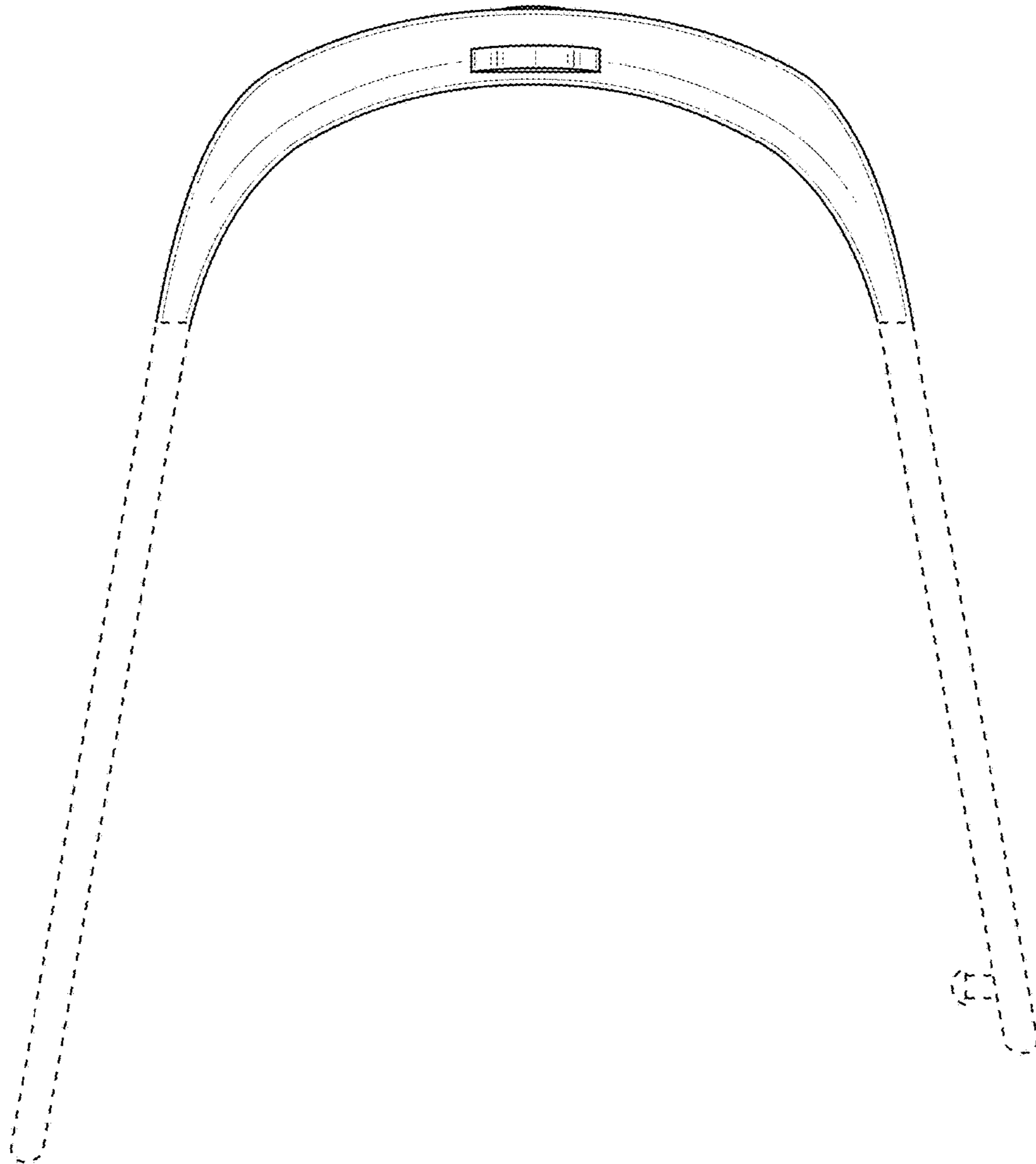


FIG. 2

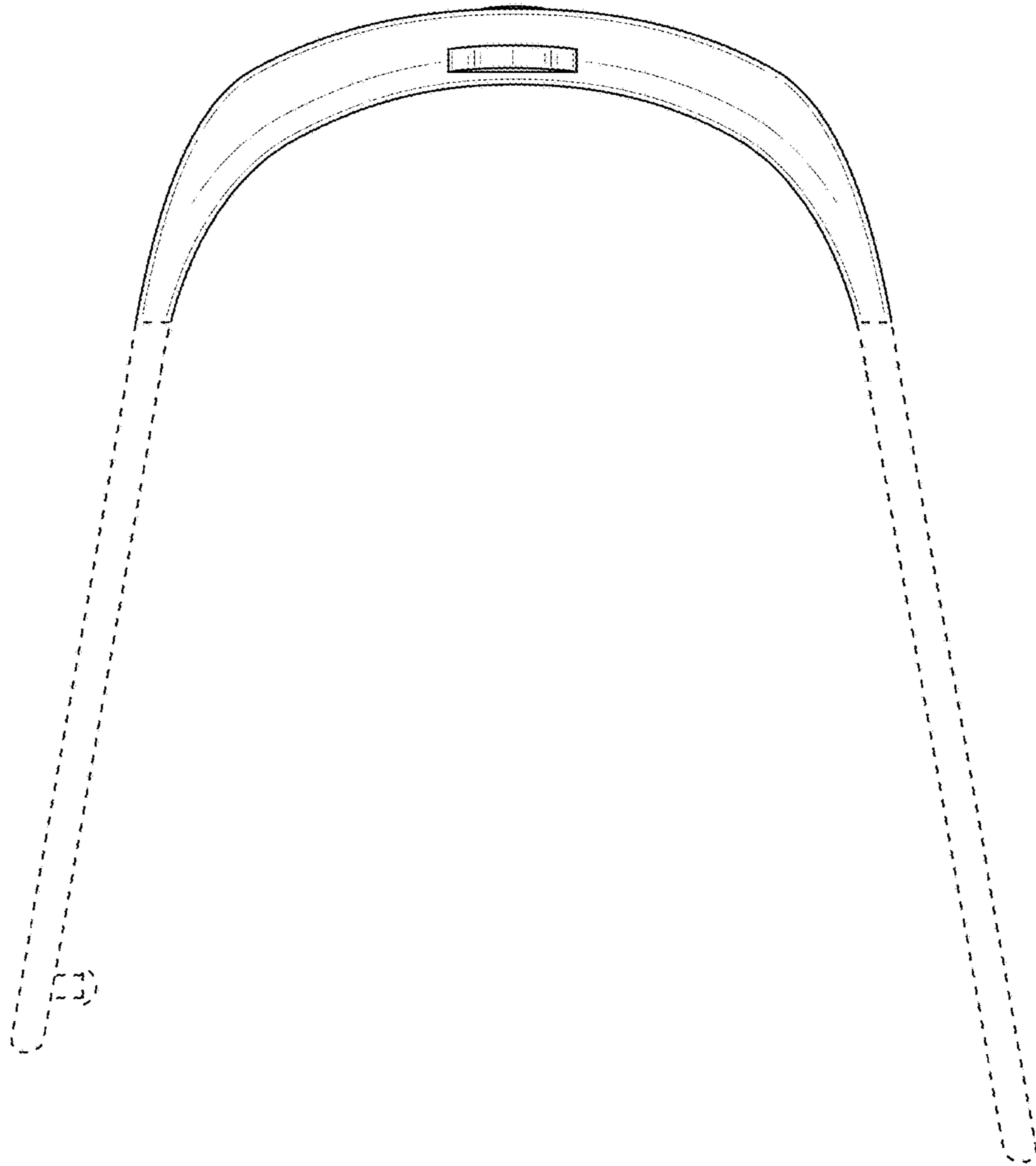


FIG. 3

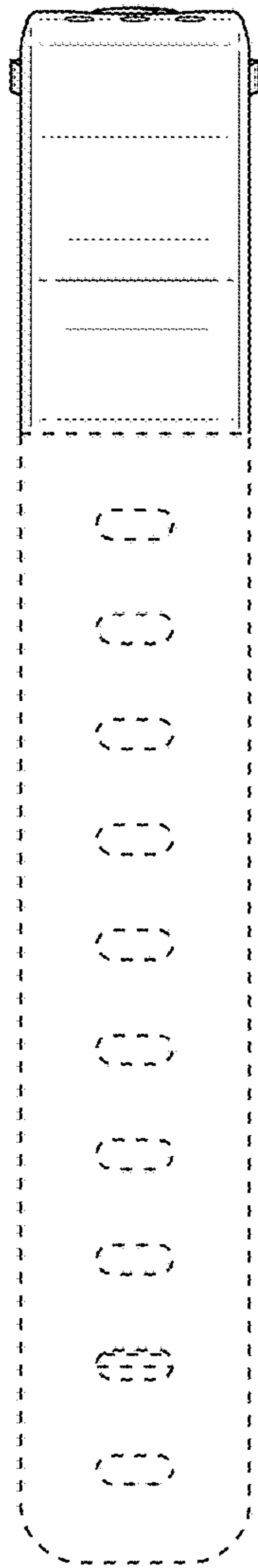


FIG. 4



FIG. 5

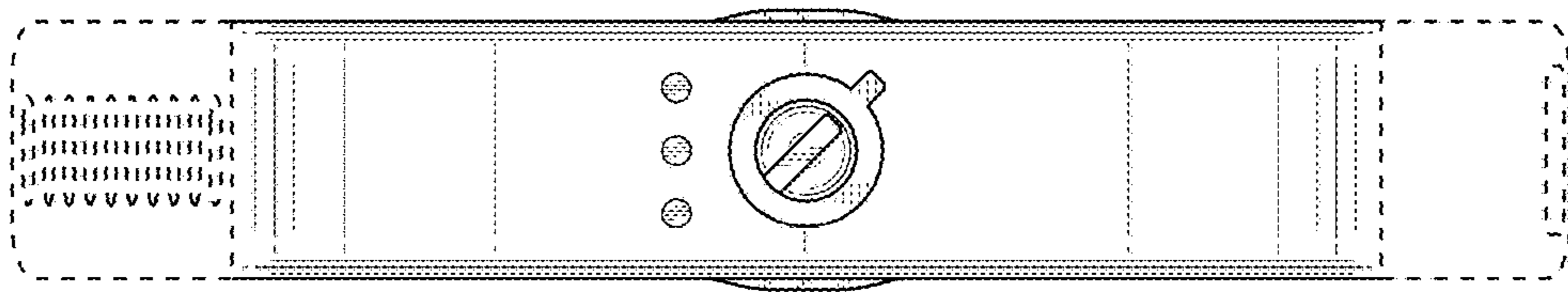


FIG. 6

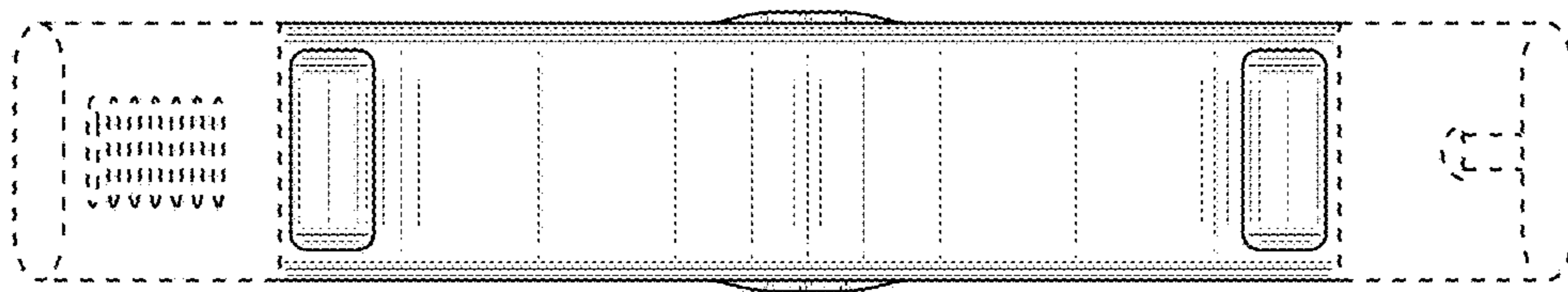


FIG. 7

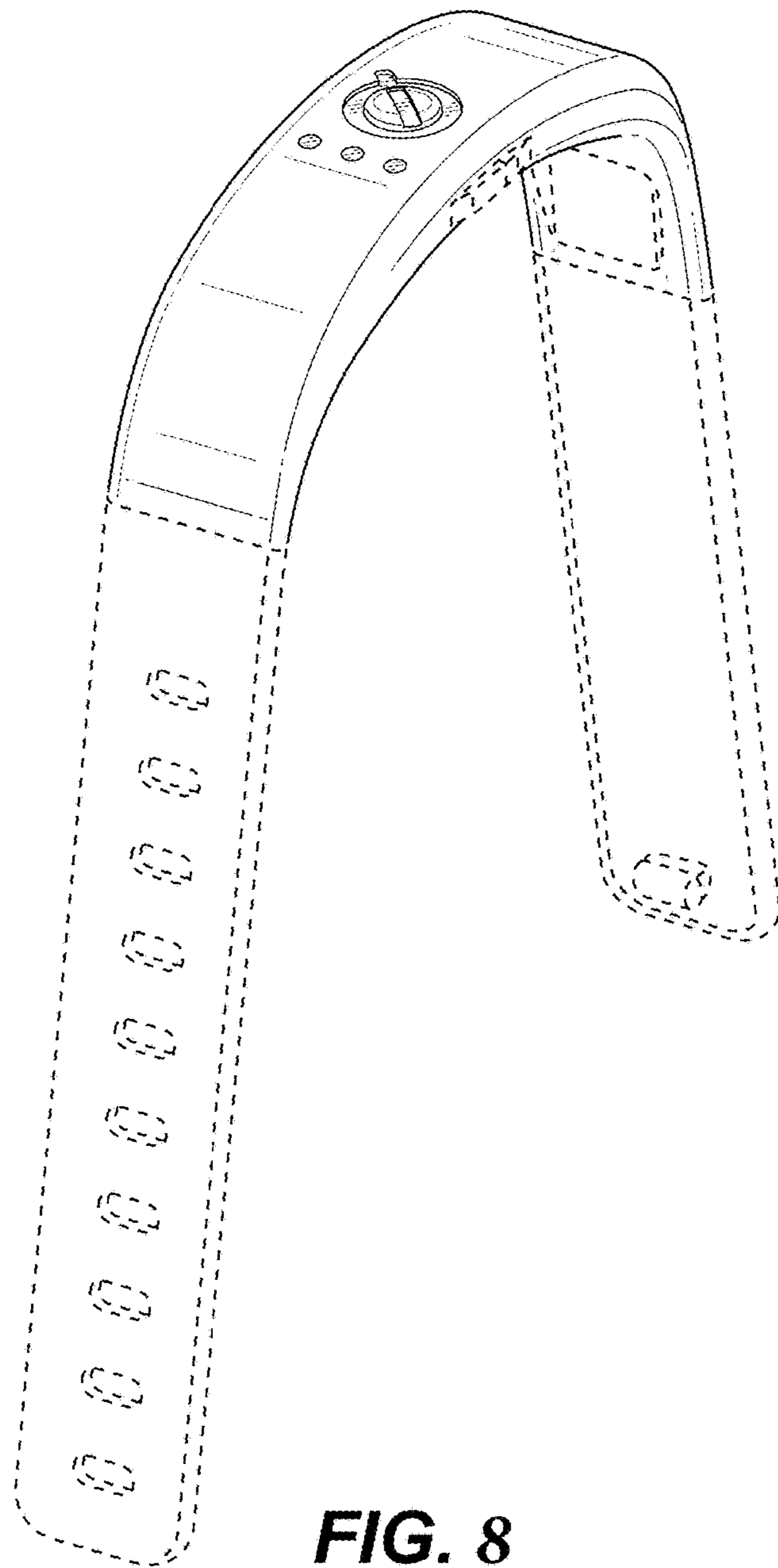


FIG. 8

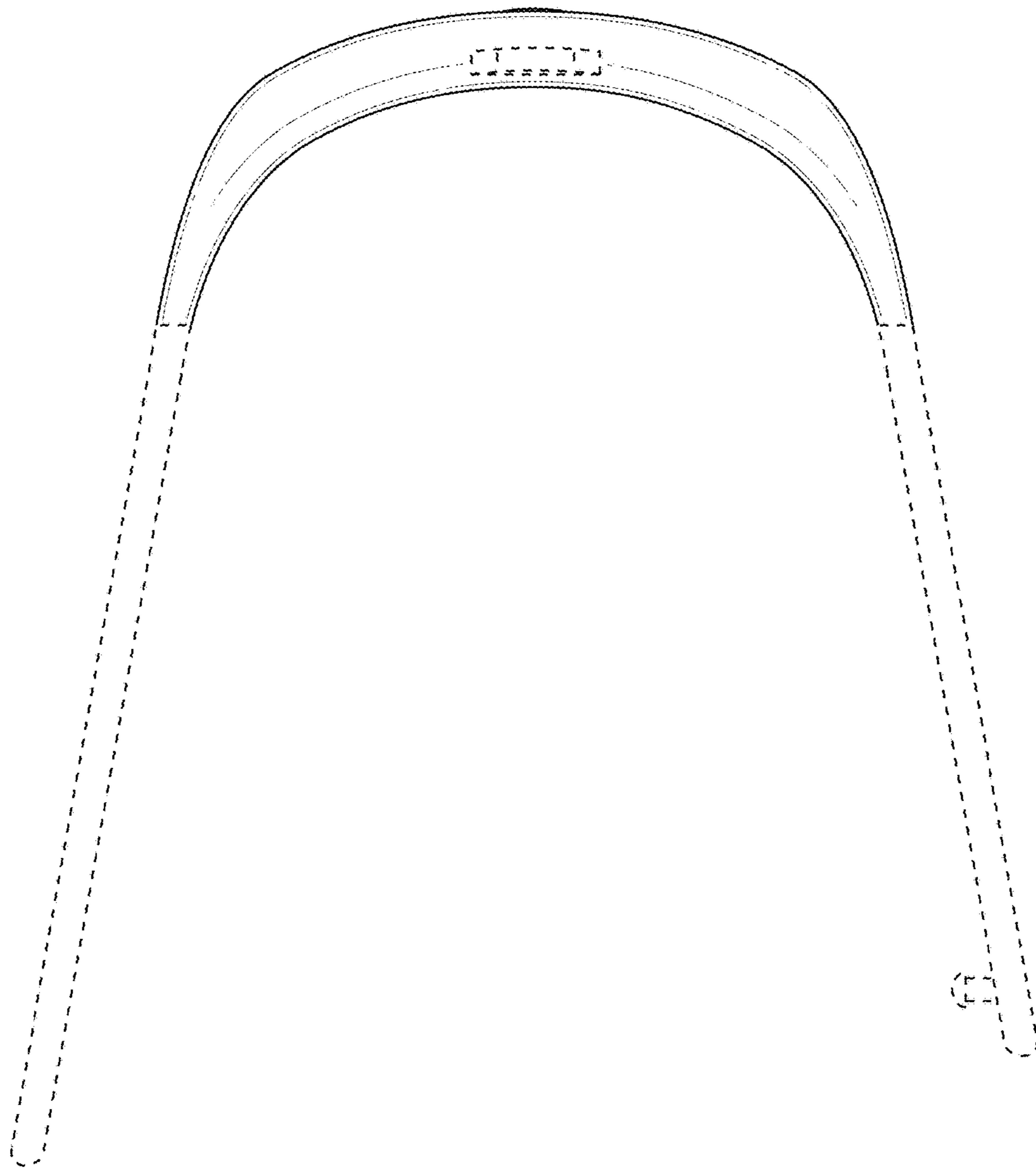


FIG. 9

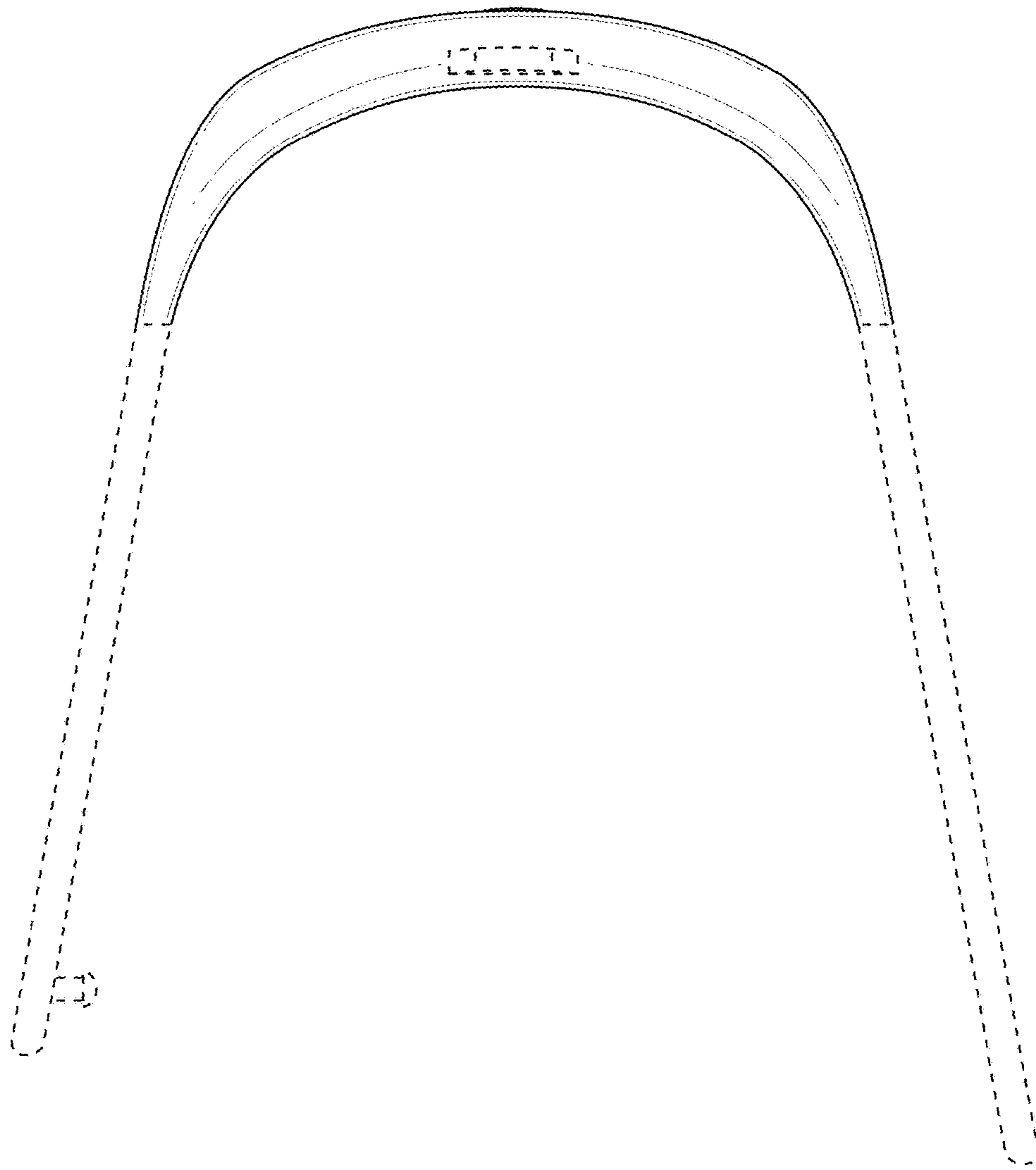


FIG. 10

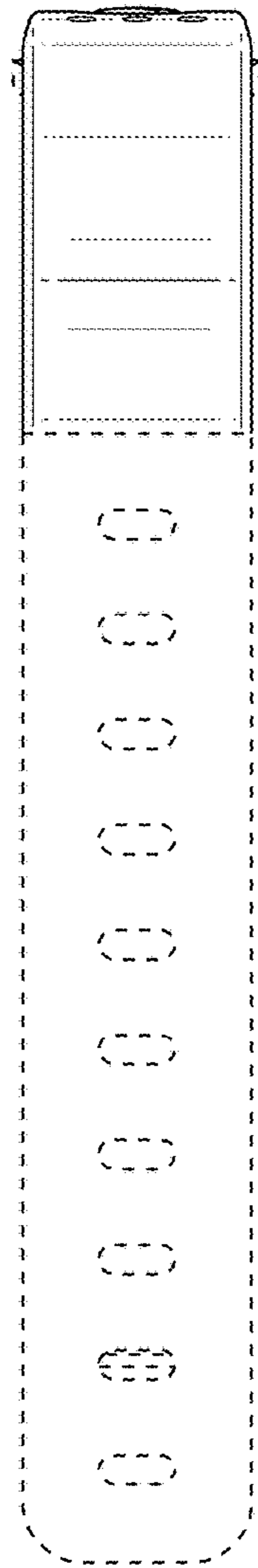


FIG. 11

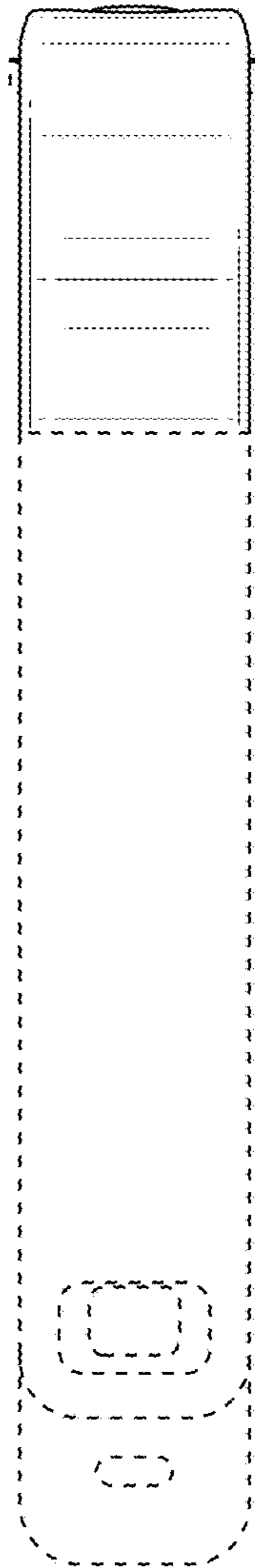


FIG. 12

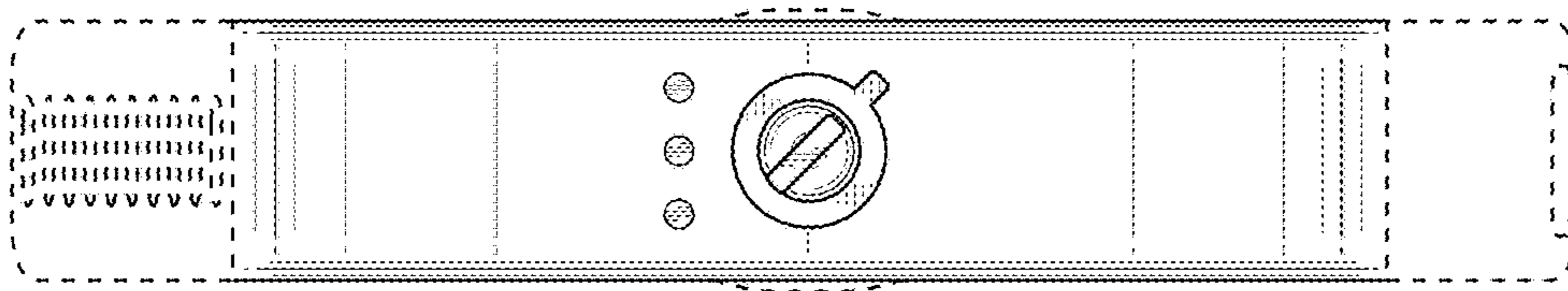


FIG. 13

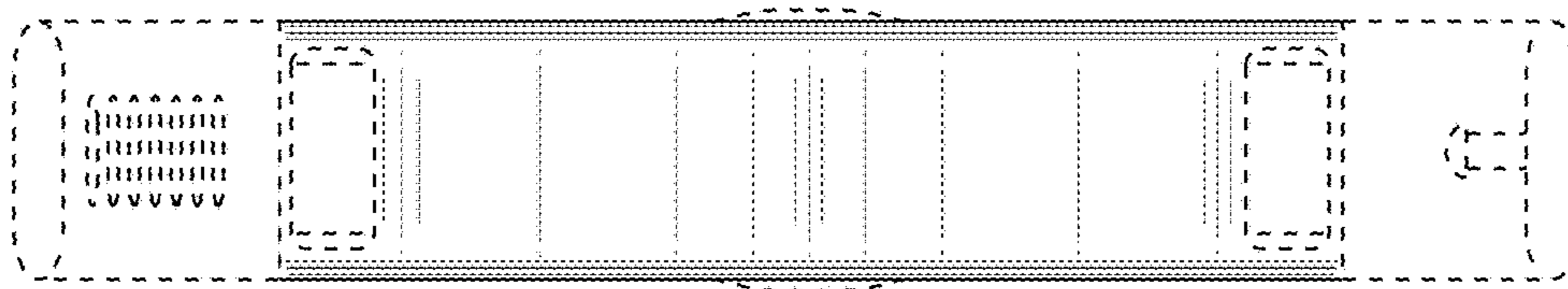
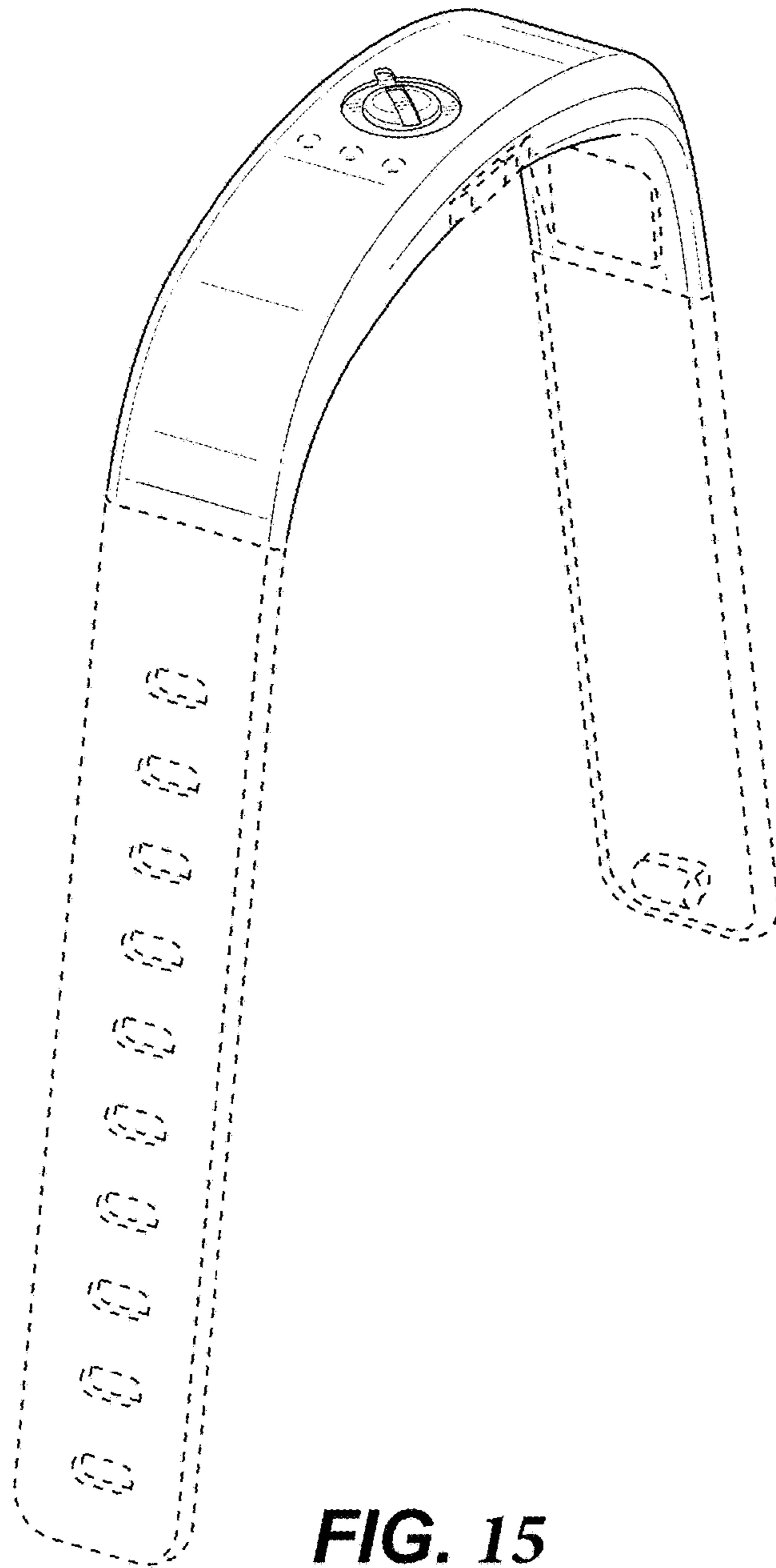


FIG. 14



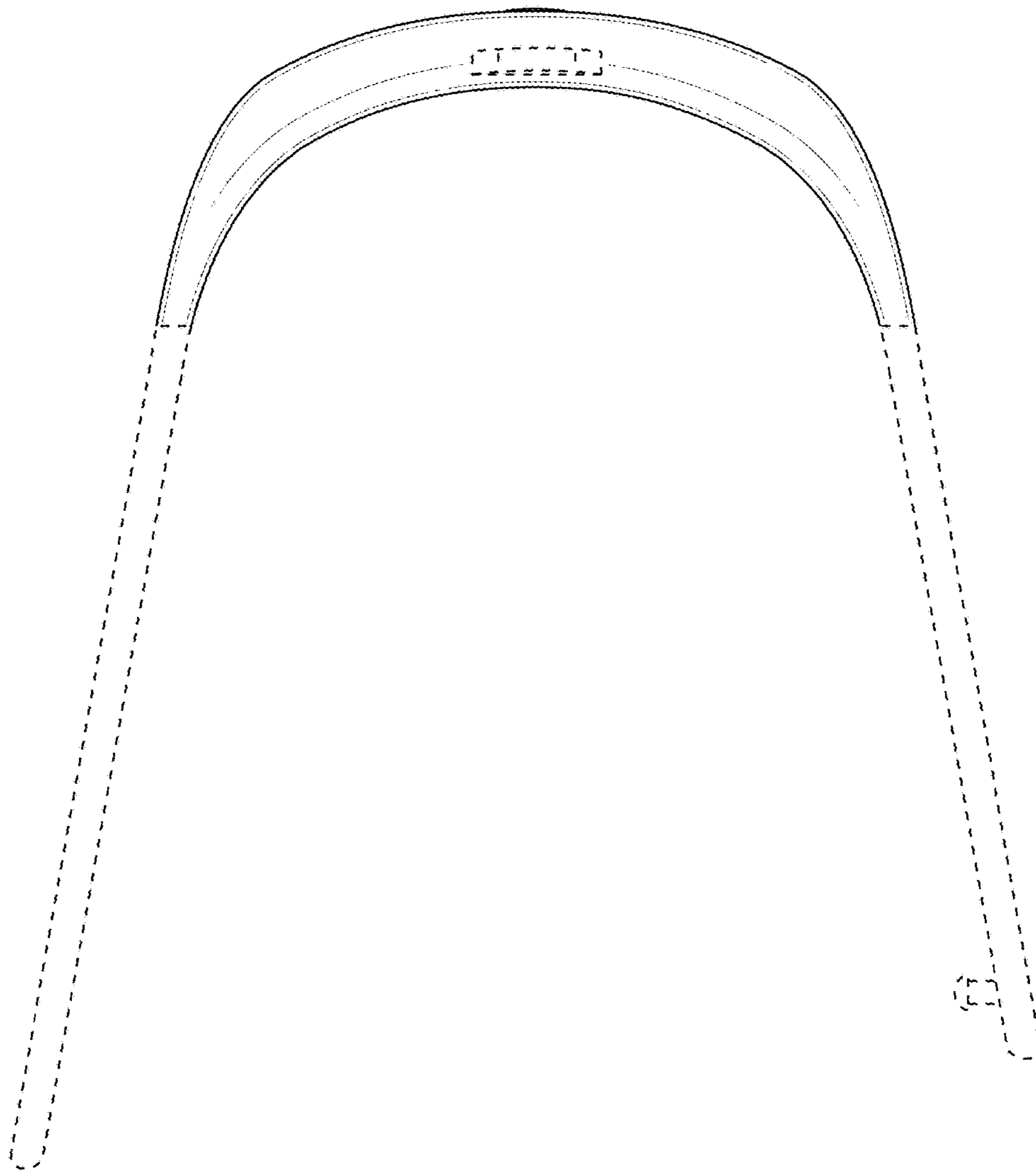


FIG. 16

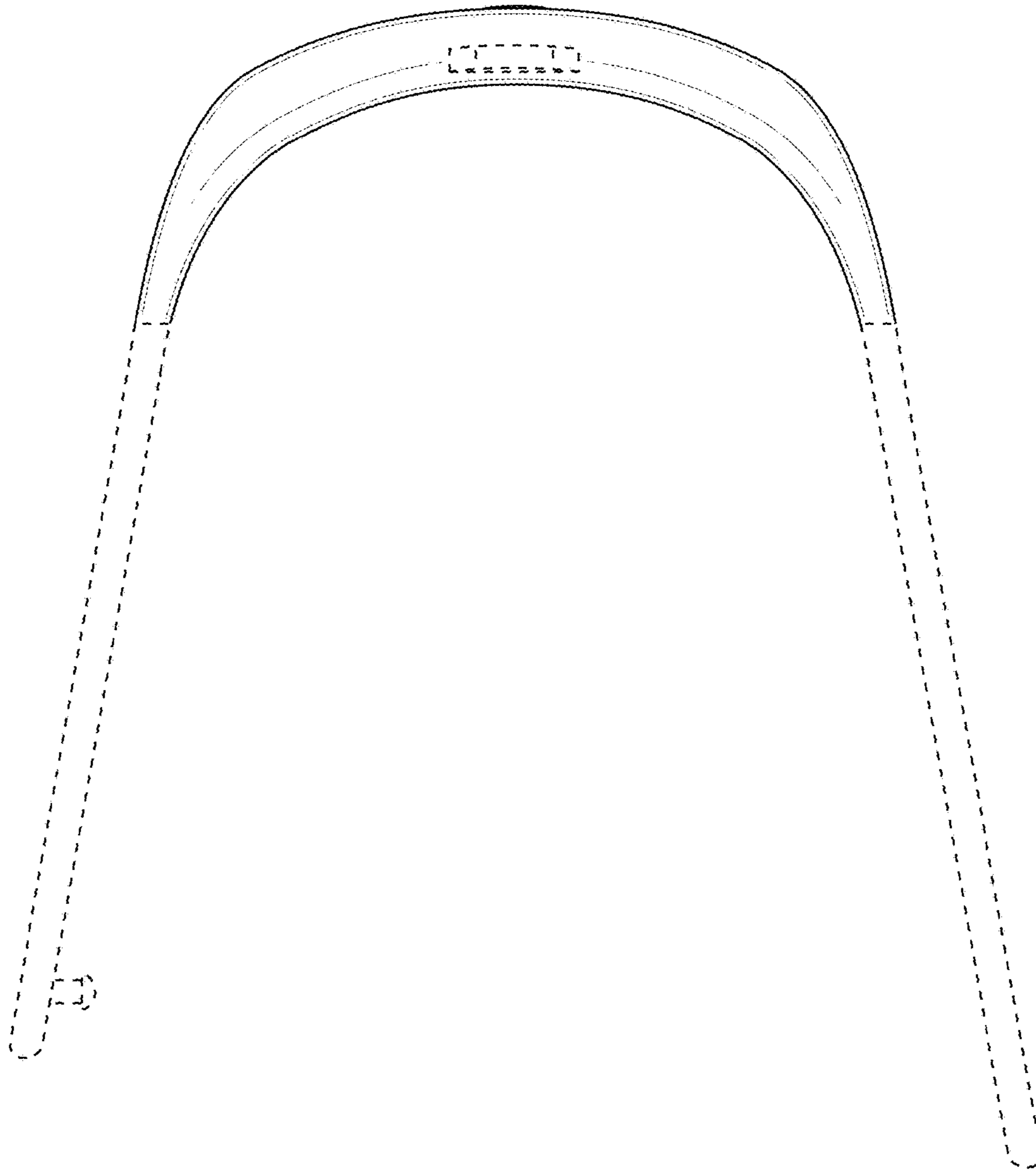


FIG. 17

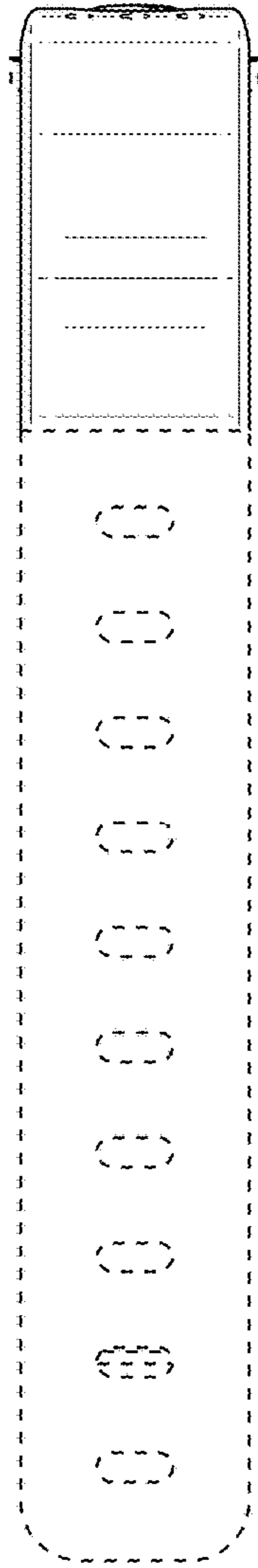


FIG. 18

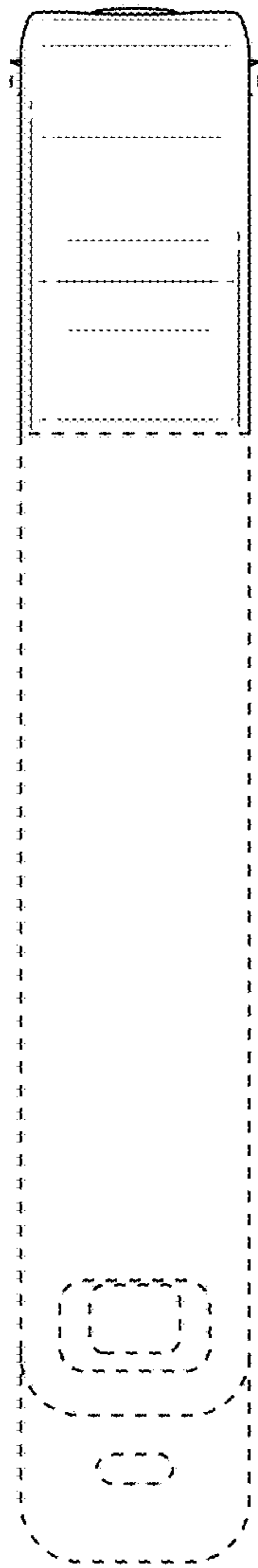


FIG. 19

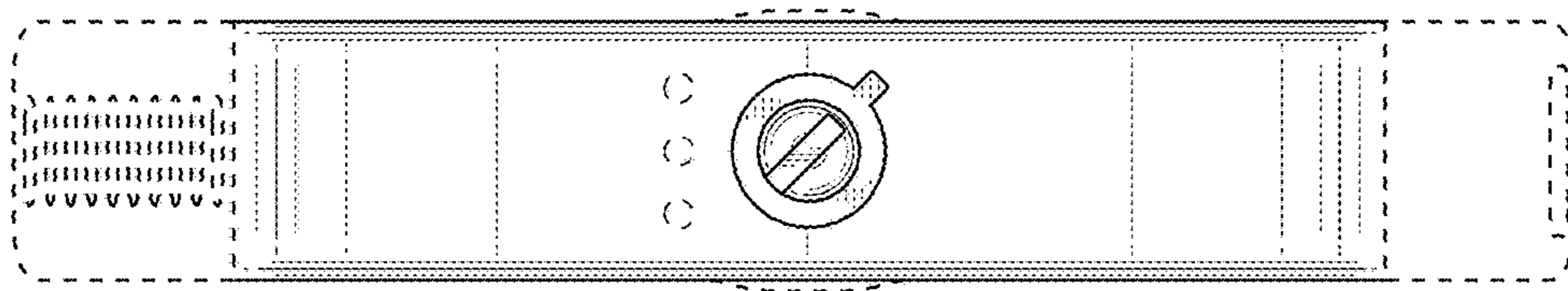


FIG. 20

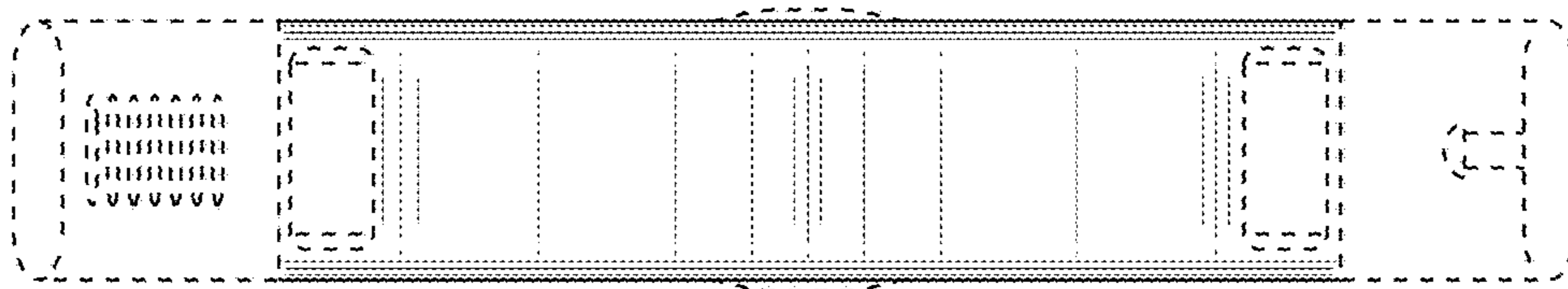


FIG. 21

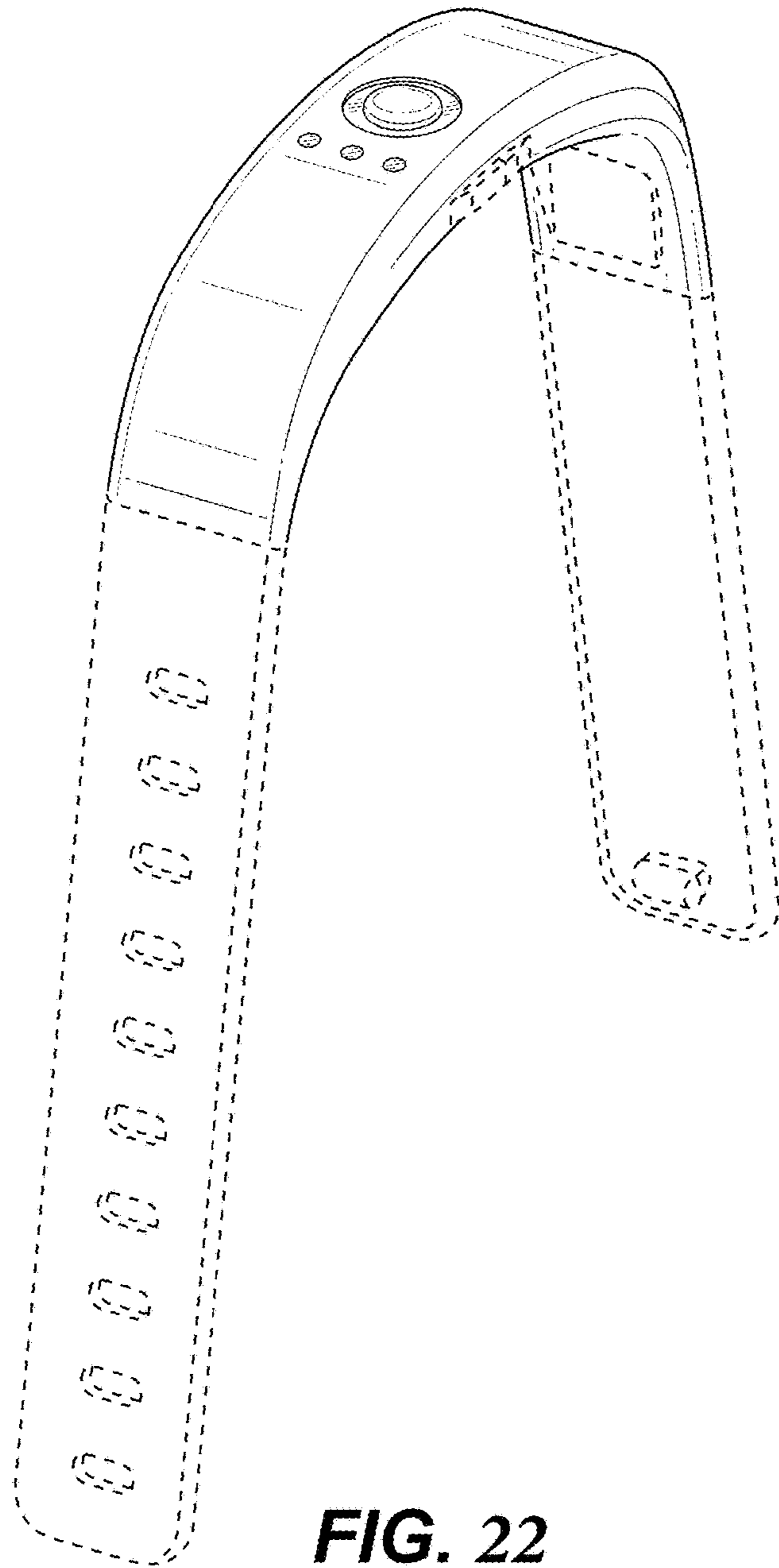


FIG. 22

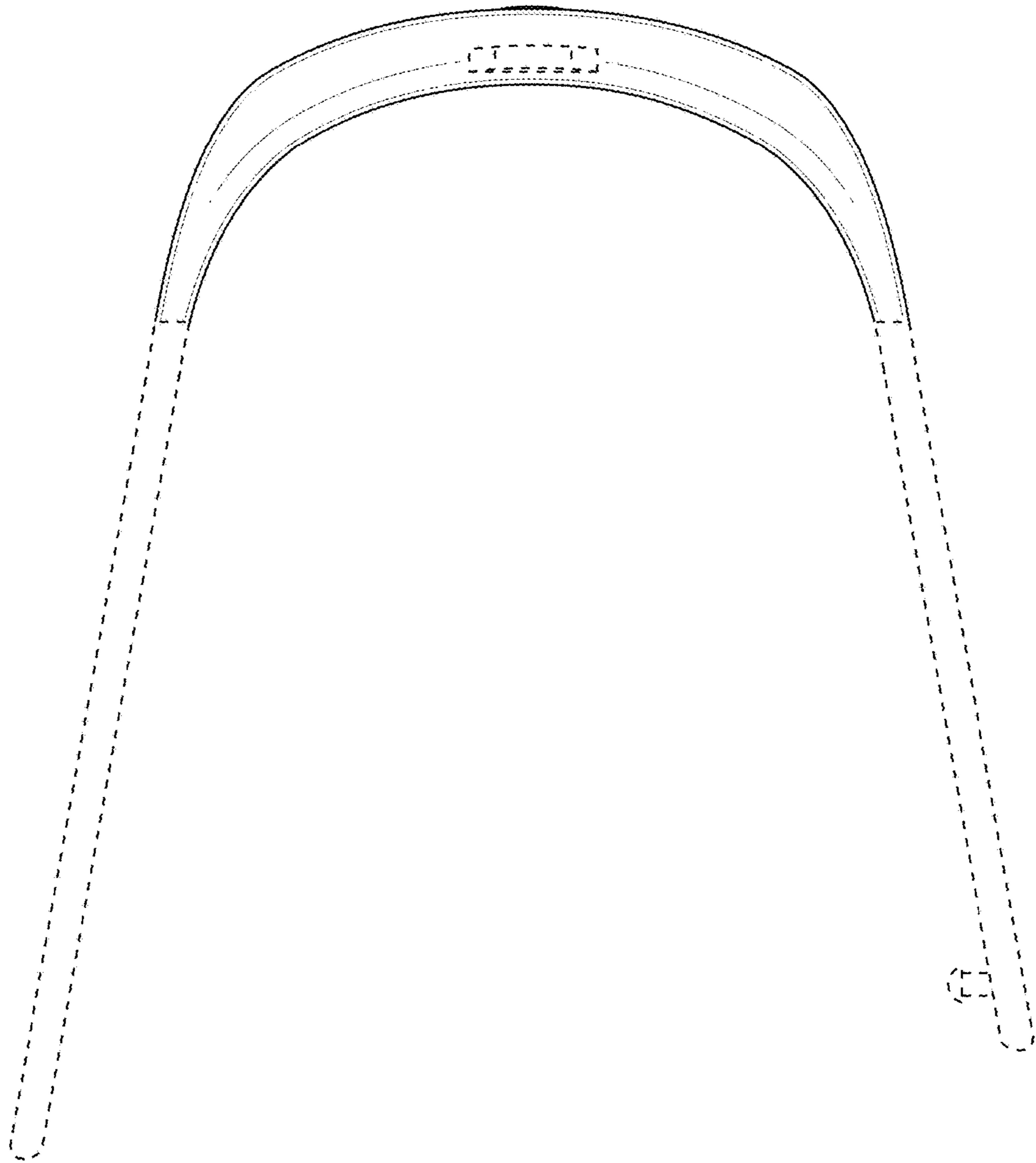


FIG. 23

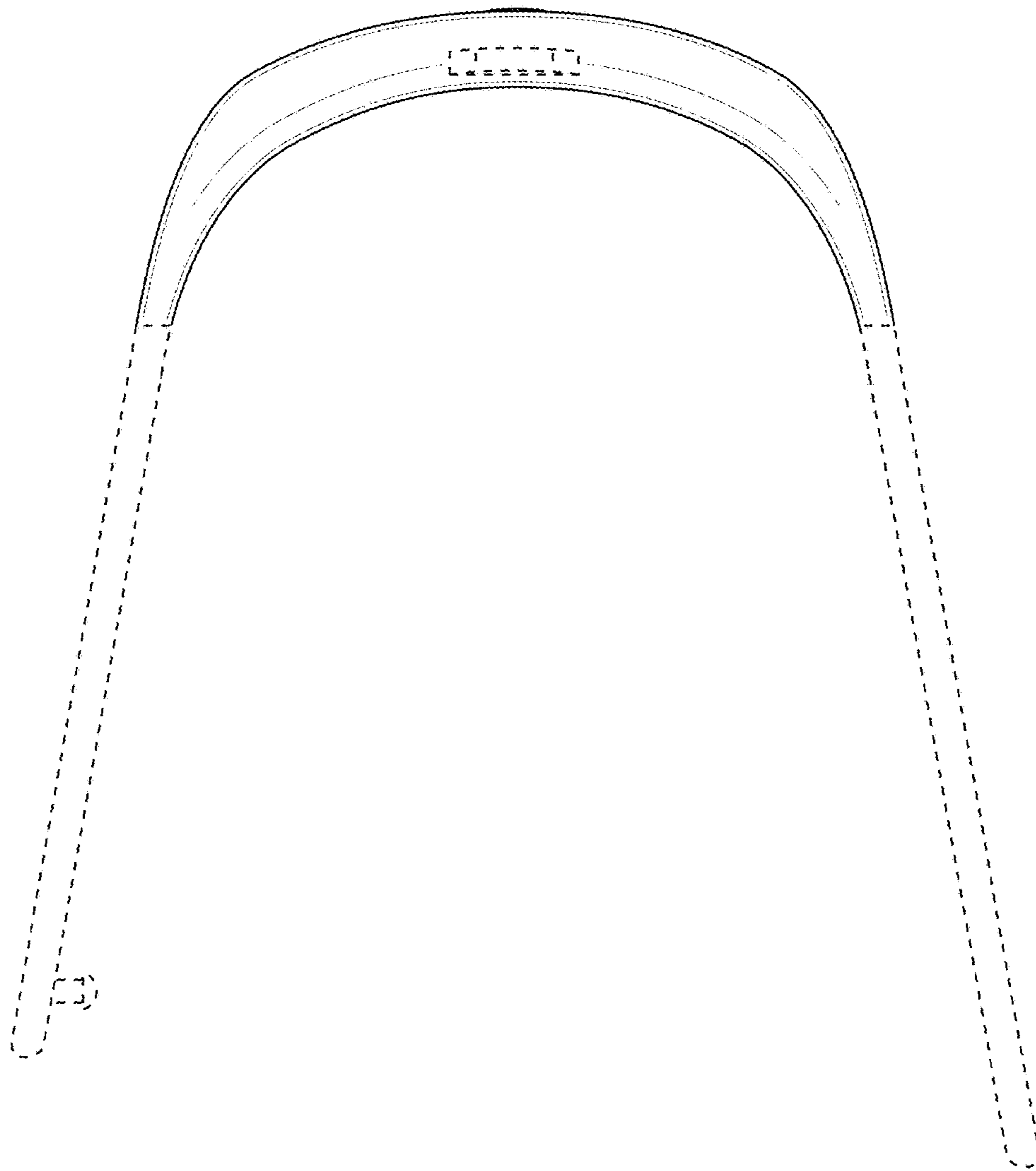


FIG. 24

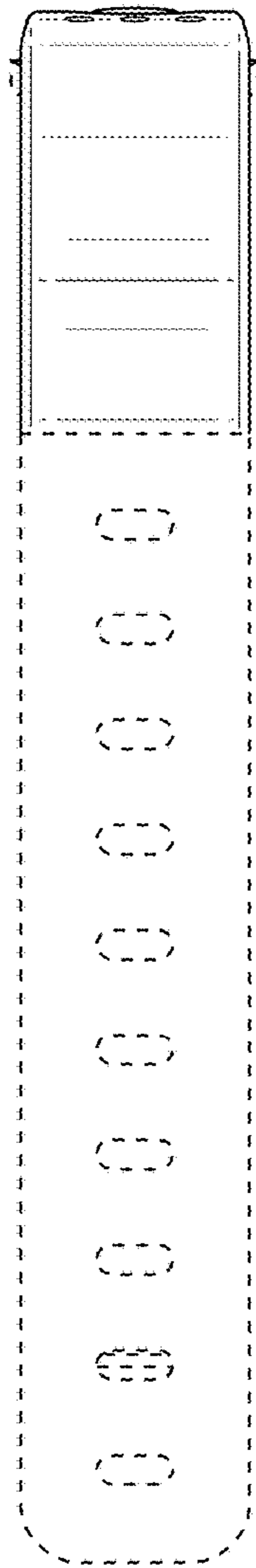


FIG. 25

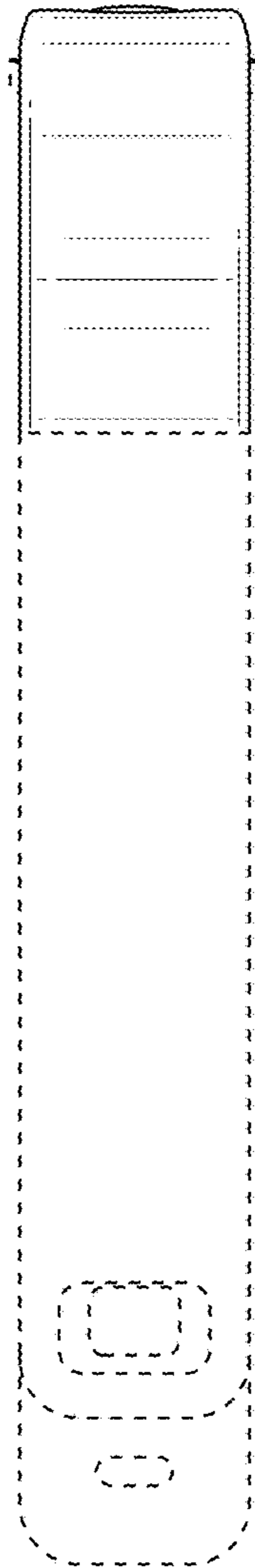


FIG. 26

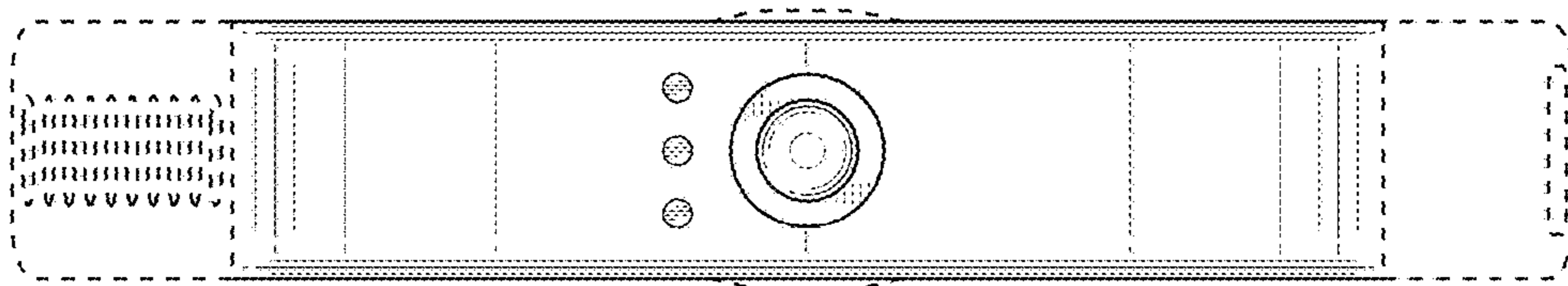


FIG. 27

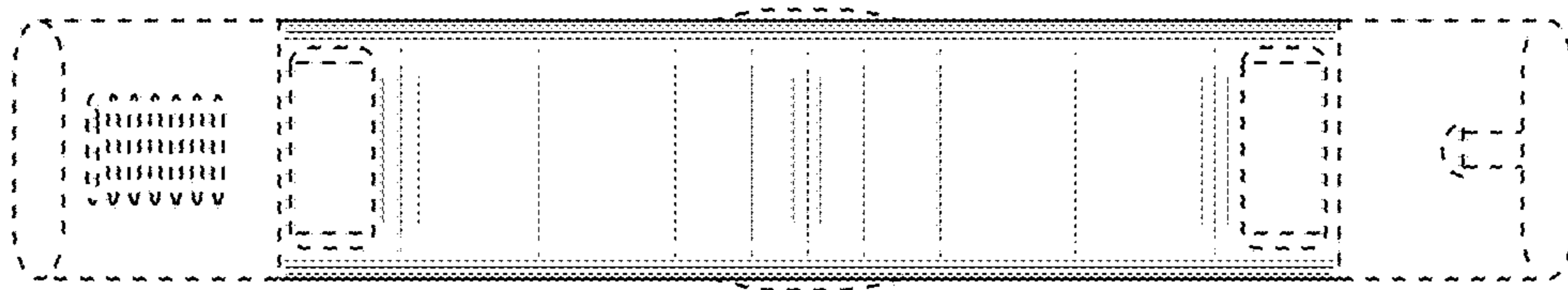


FIG. 28