



US00D842718S

(12) **United States Design Patent**
Beard

(10) **Patent No.:** **US D842,718 S**
(45) **Date of Patent:** **** Mar. 12, 2019**

- (54) **POSITION INDICATOR**
- (71) Applicant: **uAvionix Corporation**, Bigfork, MT (US)
- (72) Inventor: **Paul Beard**, Bigfork, MT (US)
- (73) Assignee: **uAvionix Corporation**, Bigfork, MT (US)
- (**) Term: **15 Years**
- (21) Appl. No.: **29/625,423**
- (22) Filed: **Nov. 9, 2017**

6,215,437 B1	4/2001	Schurmann et al.	
D531,996 S *	11/2006	Cislo	D14/230
D542,283 S *	5/2007	Cislo	D14/230
D542,783 S *	5/2007	Cislo	D14/230
D550,218 S *	9/2007	Cislo	D14/230
D553,614 S *	10/2007	Cislo	D14/230
D595,274 S *	6/2009	Skottke	D14/230

(Continued)

Primary Examiner — Antoine Duval Davis
(74) *Attorney, Agent, or Firm* — Suiter Swantz pc llo

(57) **CLAIM**

The ornamental design for a position indicator, as shown and described.

DESCRIPTION

FIG. 1 is an isometric view of a port position indicator; FIG. 2 is a top view of a port position indicator; FIG. 3 is a front/forward view of a port position indicator; FIG. 4 is an exposed side view of a port position indicator; FIG. 5 is a rear/back view of a port position indicator; FIG. 6 is a mounting side view of a port position indicator; FIG. 7 is a bottom view of a port position indicator; FIG. 8 is an isometric view of a starboard position indicator; FIG. 9 is a top view of a starboard position indicator; FIG. 10 is a front/forward view of a starboard position indicator; FIG. 11 is an exposed side view of a starboard position indicator; FIG. 12 is a rear/back view of a starboard position indicator; FIG. 13 is a mounting side view of a starboard position indicator; and, FIG. 14 is a bottom view of a starboard position indicator. The broken line showing of structural features is included for the purpose of illustrating non-claimed subject matter and forms no part of the claimed design.

Related U.S. Application Data

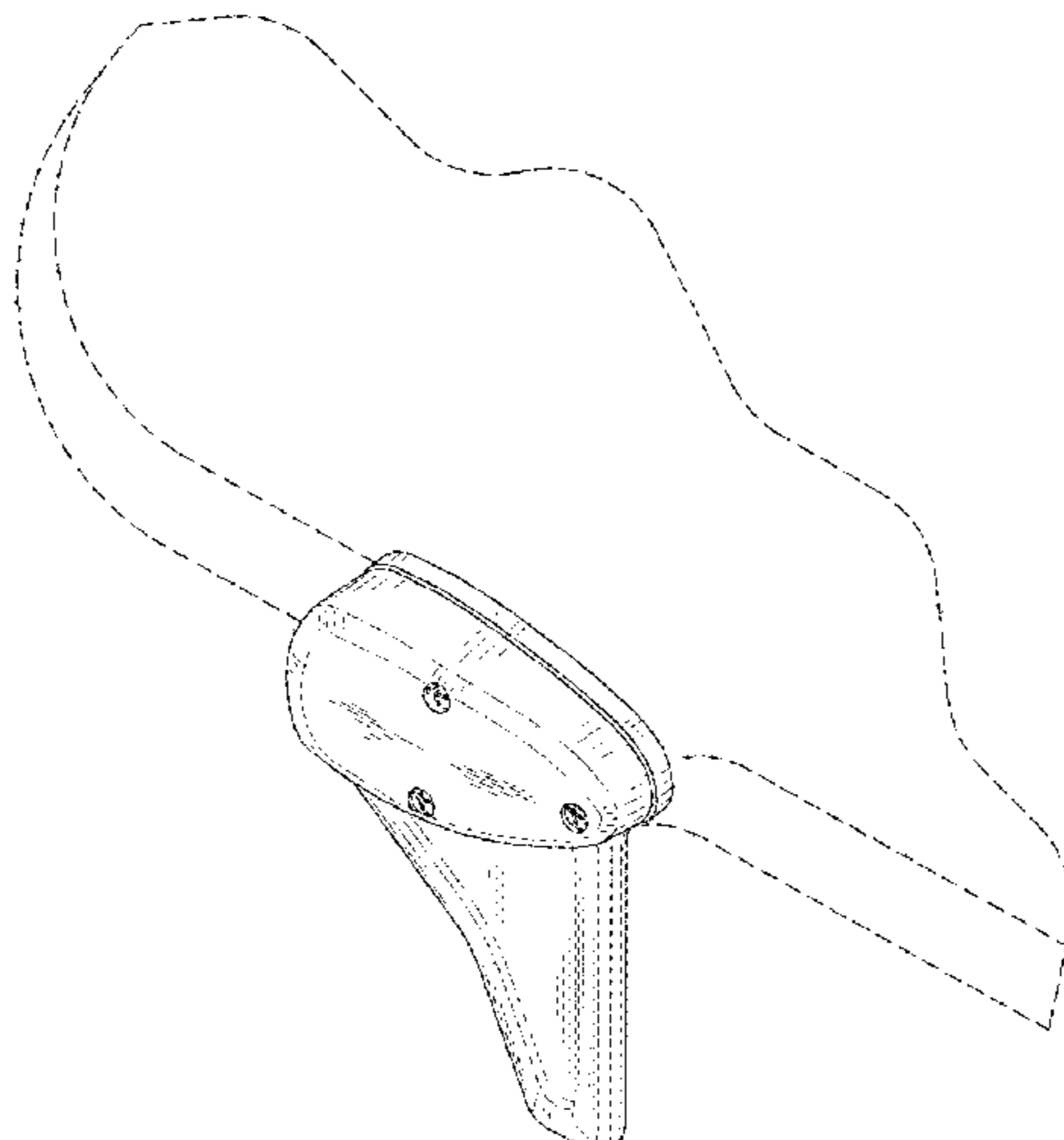
- (63) Continuation of application No. 15/805,336, filed on Nov. 7, 2017, and a continuation-in-part of application No. 15/659,596, filed on Jul. 25, 2017.
- (51) **LOC (11) Cl.** **10-04**
- (52) **U.S. Cl.**
USPC **D10/65**; D10/70; D14/230
- (58) **Field of Classification Search**
USPC D10/65, 70; D14/230
CPC B64D 45/00; B64D 25/00; G01S 1/70; G01S 1/08; G01S 13/74; G01S 19/42; G01S 13/79; G01S 13/9303; G01S 13/781; G01S 13/782; G08G 9/00; G08G 5/04; G08G 5/0013; H04L 69/08; H04B 1/59; H04Q 11/00
See application file for complete search history.

(56) **References Cited**

U.S. PATENT DOCUMENTS

- 2,419,480 A * 4/1947 Bryan H01Q 7/04
174/390
- D320,394 S * 10/1991 Cooper D14/230

1 Claim, 14 Drawing Sheets



(56)

References Cited

U.S. PATENT DOCUMENTS

D595,275	S *	6/2009	Skottke	D14/230
D595,699	S *	7/2009	Skottke	D14/230
D623,174	S *	9/2010	Hakamata	D14/230
8,102,301	B2	1/2012	Mosher	
8,368,584	B2	2/2013	Askelson et al.	
8,373,591	B2	2/2013	Margolin	
8,378,881	B2	2/2013	LeMire et al.	
8,380,367	B2	2/2013	Schultz et al.	
8,386,175	B2	2/2013	Limbaugh et al.	
D681,018	S *	4/2013	Hakamata	D14/230
D684,563	S *	6/2013	Meek	D14/230
D686,598	S *	7/2013	Yanagisawa	D14/230
D703,638	S *	4/2014	Ueno	D14/230
D704,172	S *	5/2014	Kato	D14/230
D730,879	S *	6/2015	Kato	D14/230
9,129,520	B2	9/2015	Limbaugh et al.	
9,310,477	B1 *	4/2016	Sampigethaya	G01S 13/91
9,720,079	B2	8/2017	Moffitt	
D826,219	S *	8/2018	Kobayashi	D14/230
D829,694	S *	10/2018	Yang	D14/230
2012/0112950	A1	5/2012	Hovey	
2014/0085124	A1	3/2014	Dusik et al.	
2014/0163857	A1	6/2014	Melum et al.	
2014/0324255	A1	10/2014	Siddiqi et al.	
2015/0097714	A1	4/2015	Margolin	
2015/0260824	A1	9/2015	Malveaux	
2016/0349361	A1	12/2016	Schulte	

* cited by examiner

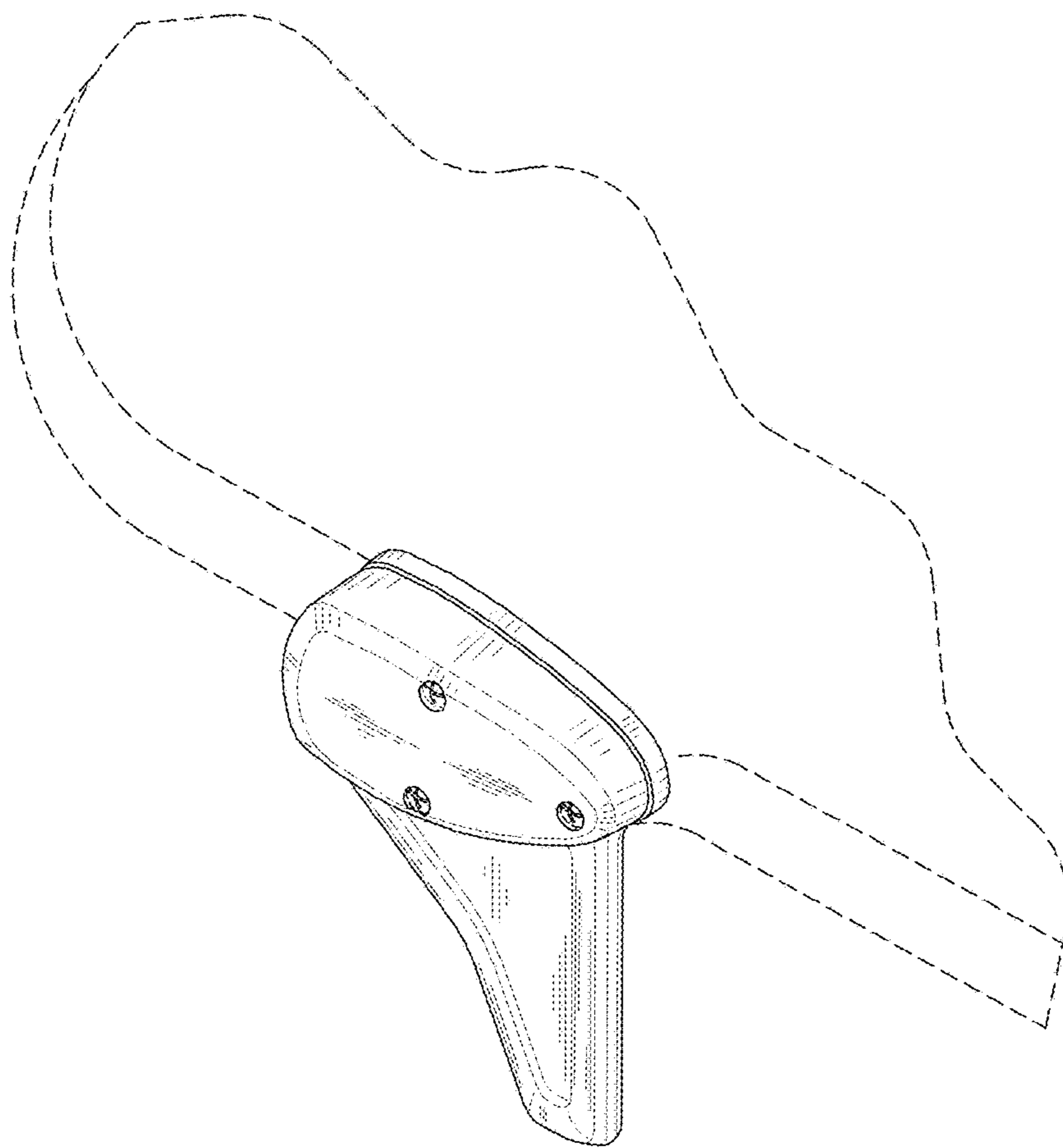


FIG. 1

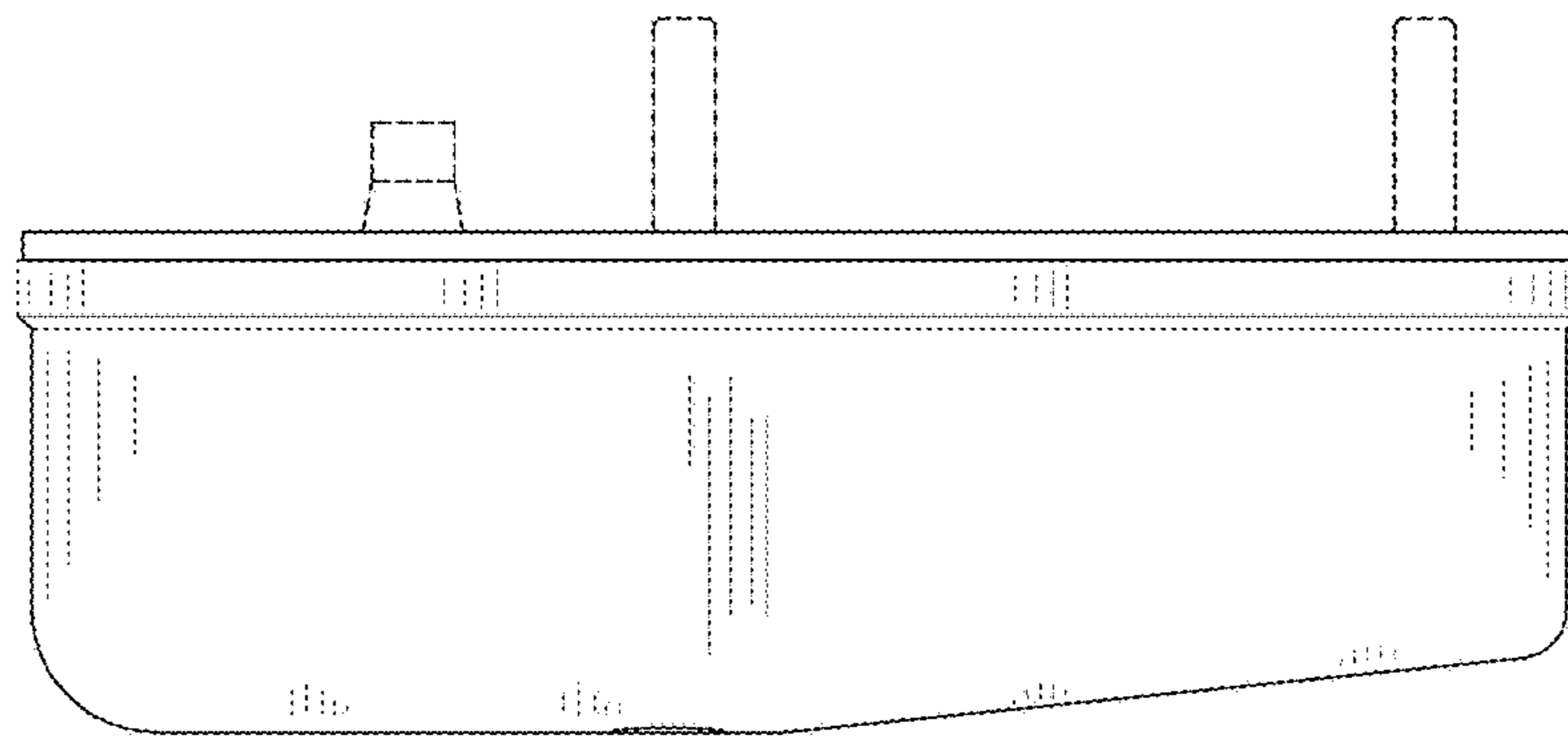


FIG. 2

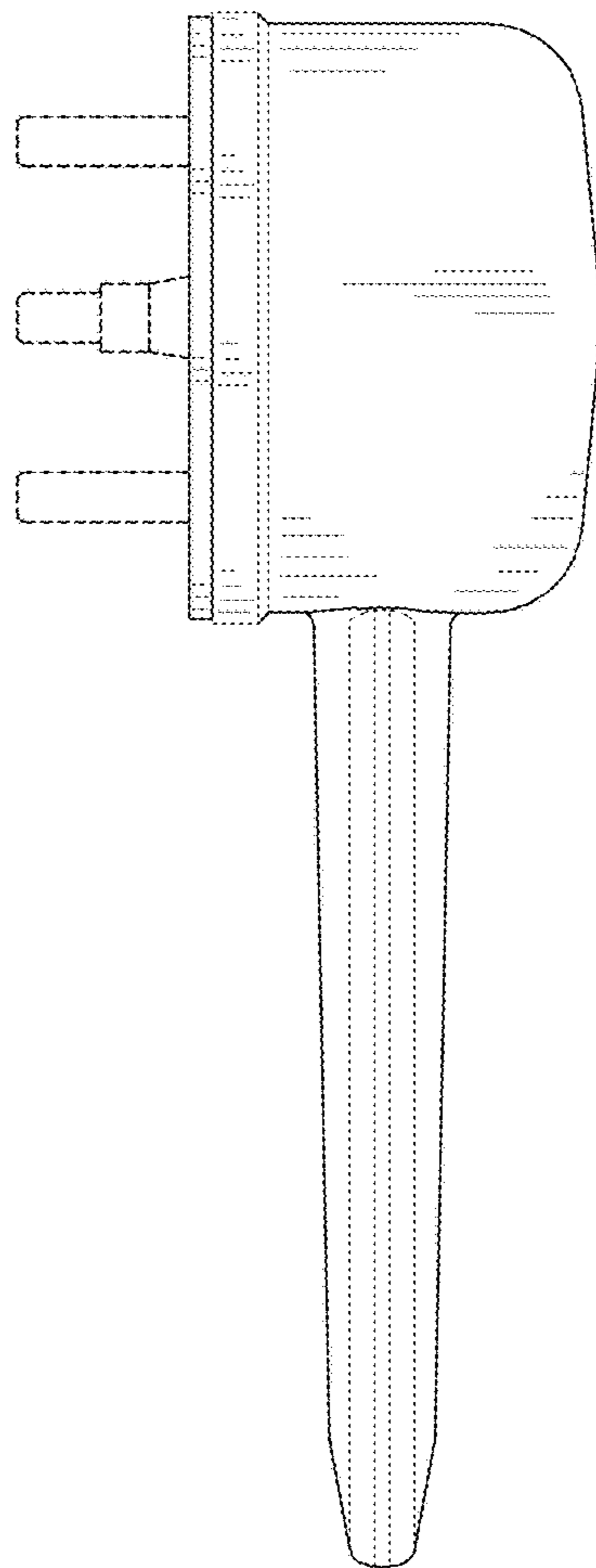


FIG. 3

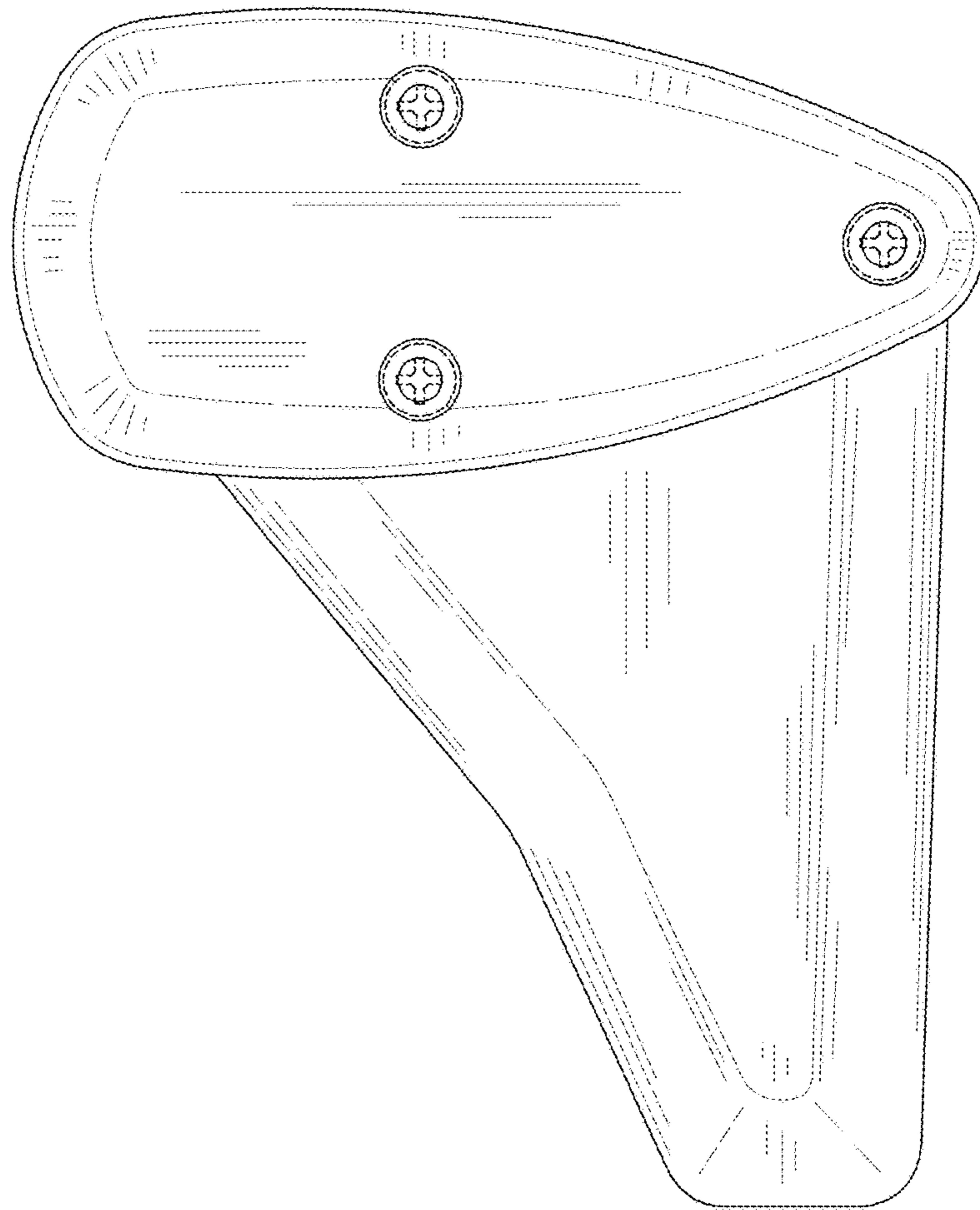


FIG. 4

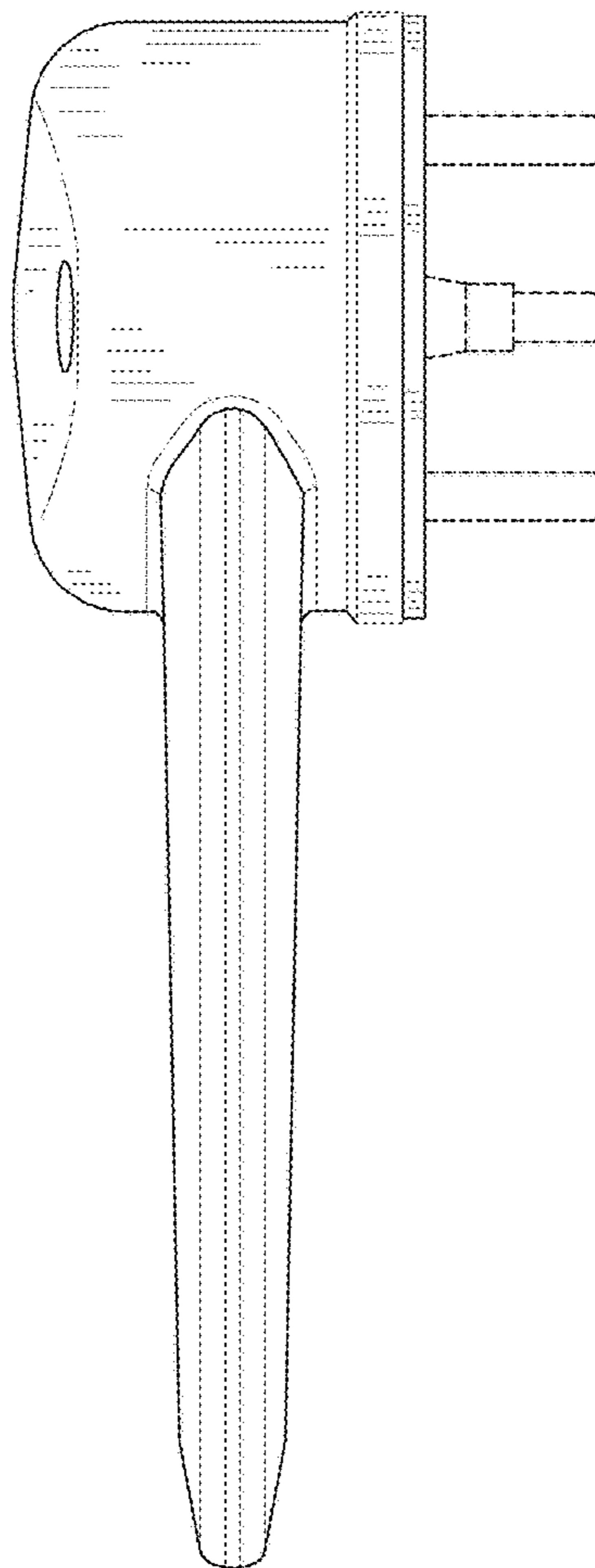


FIG. 5

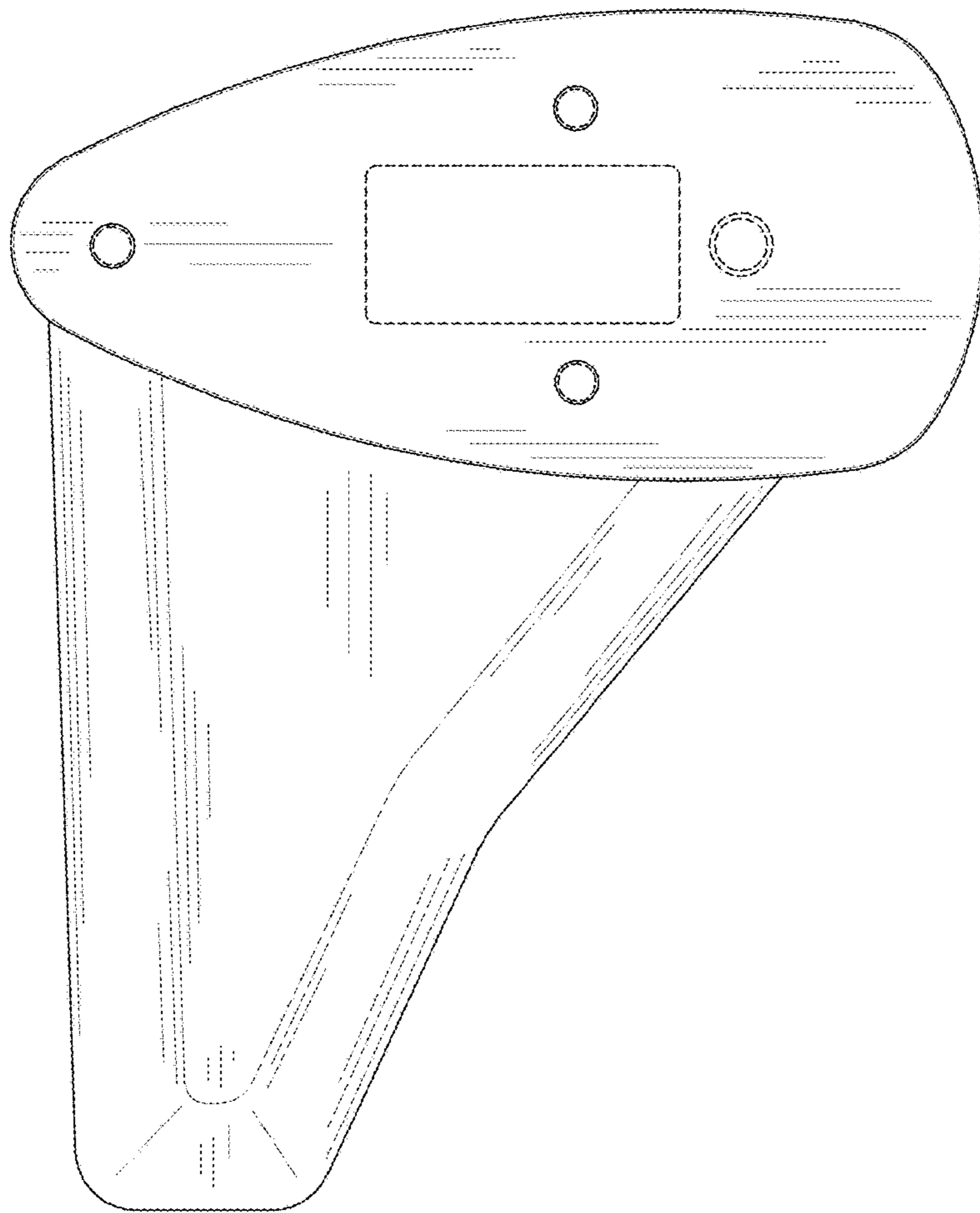


FIG. 6

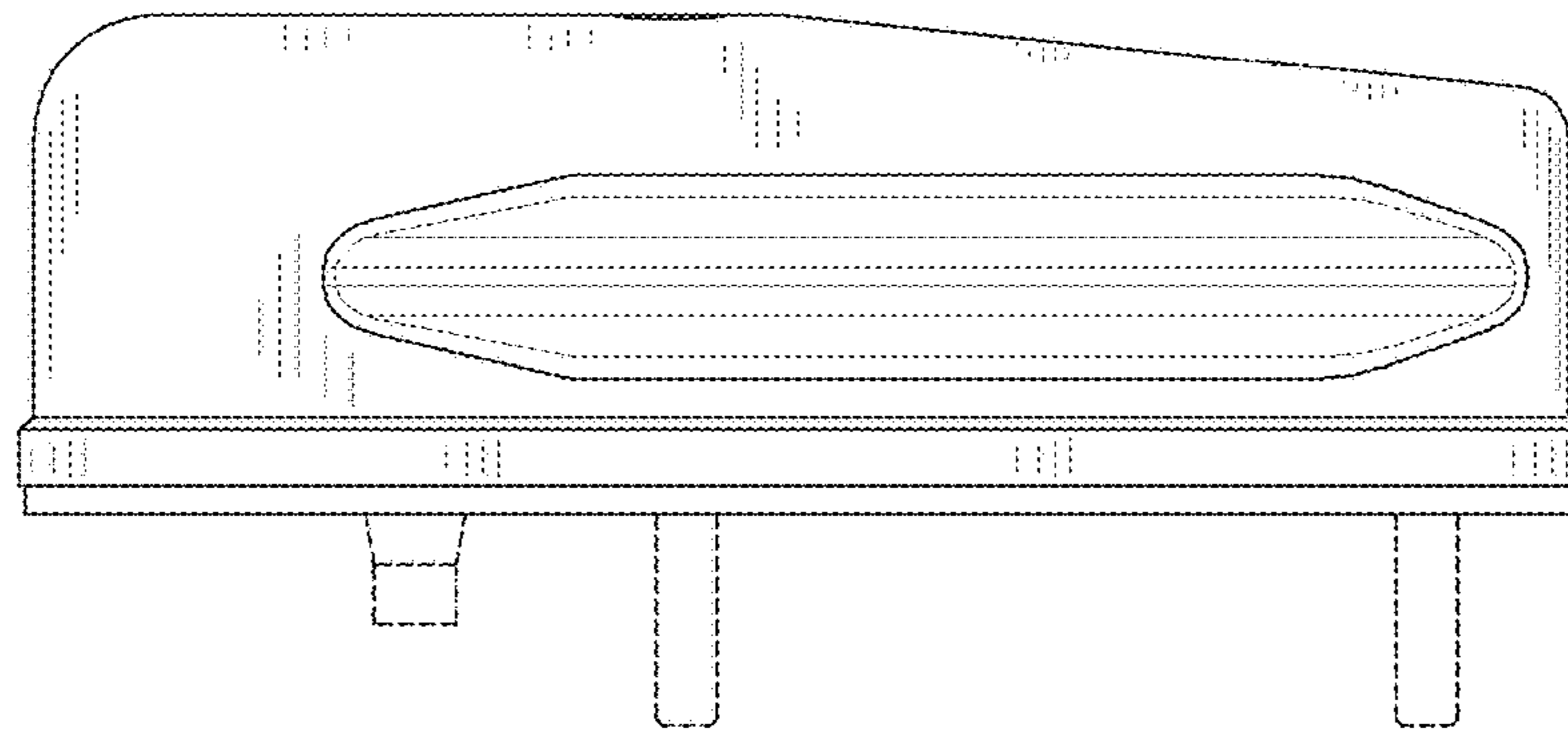


FIG. 7

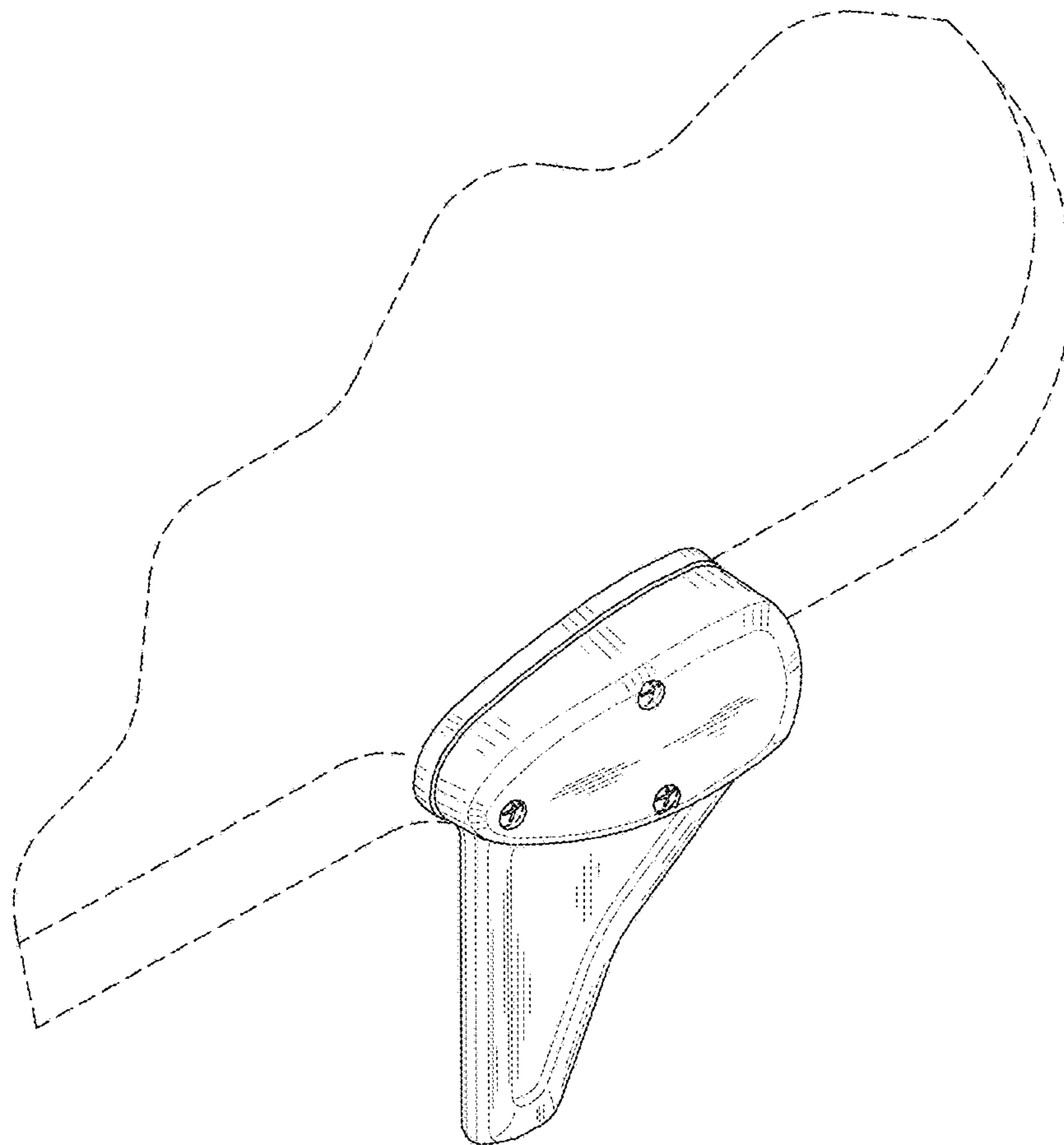


FIG. 8

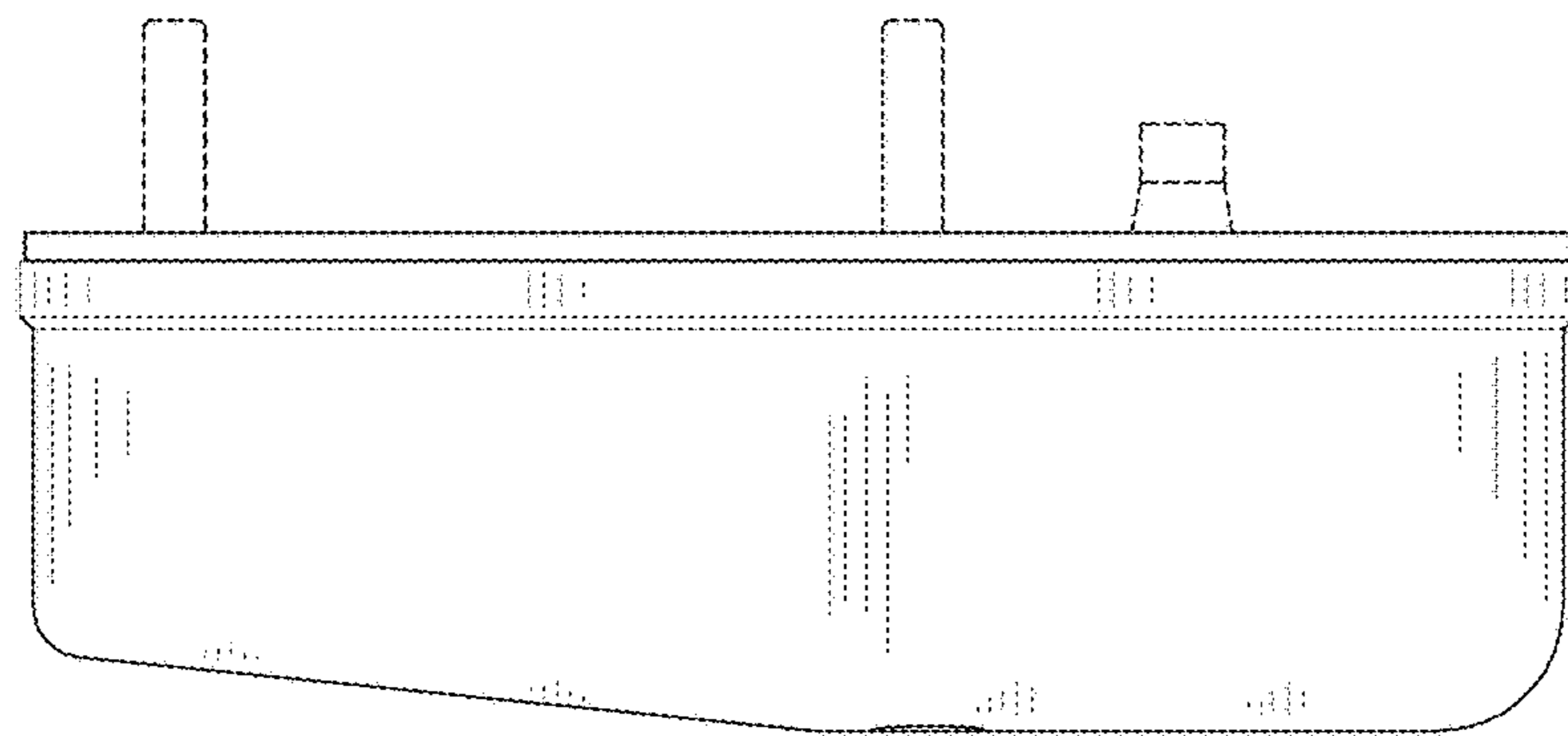


FIG. 9

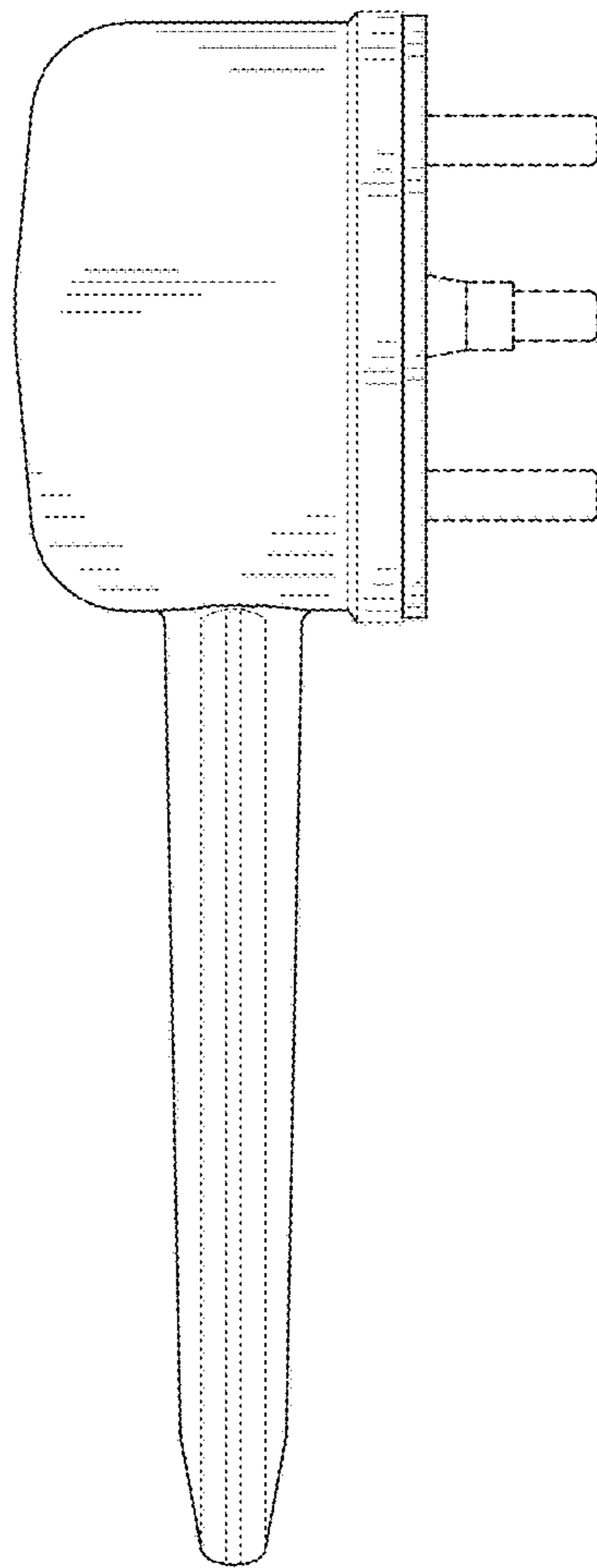


FIG. 10

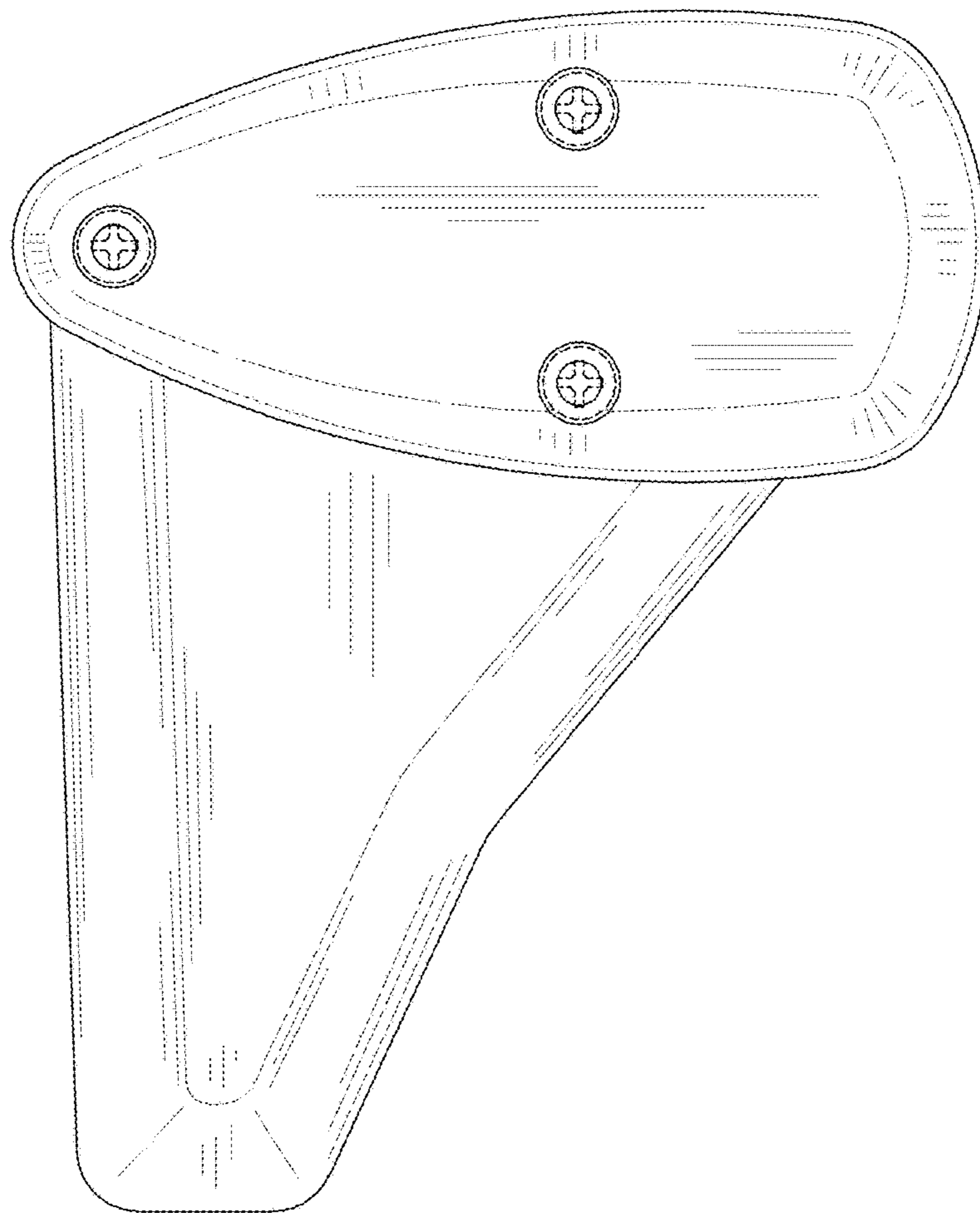


FIG. 11

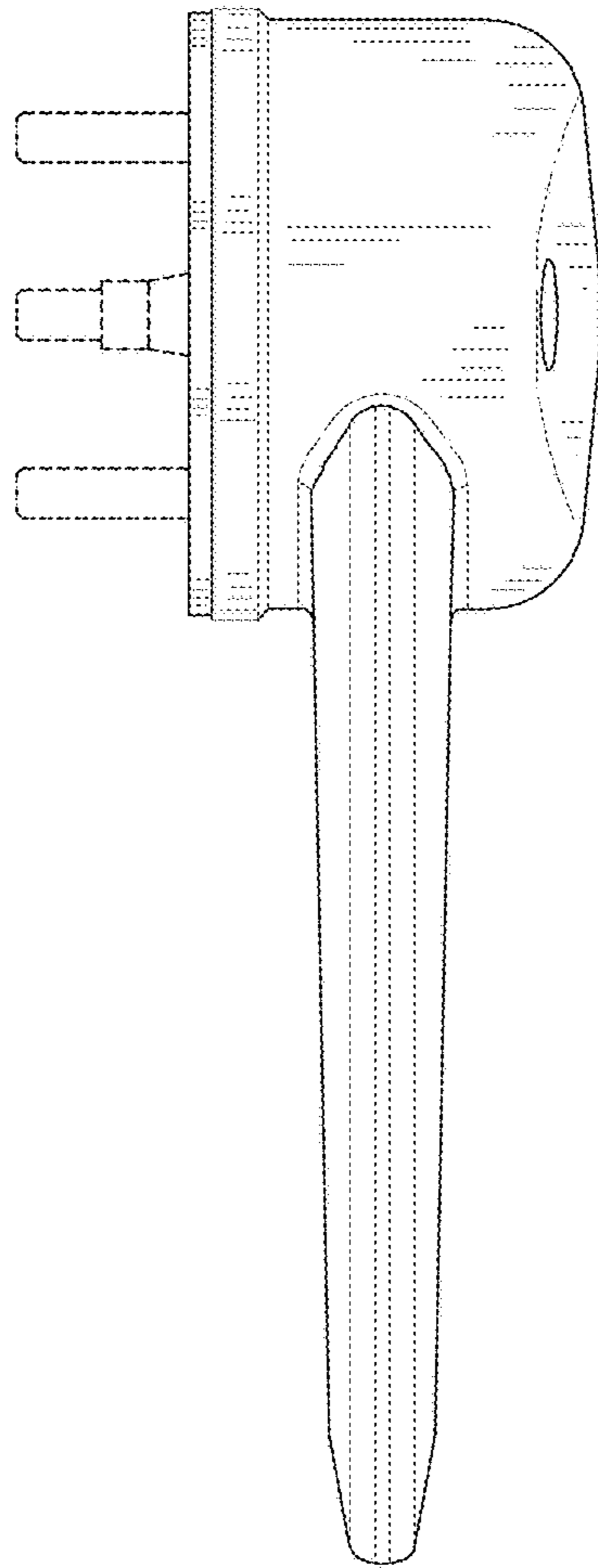


FIG. 12

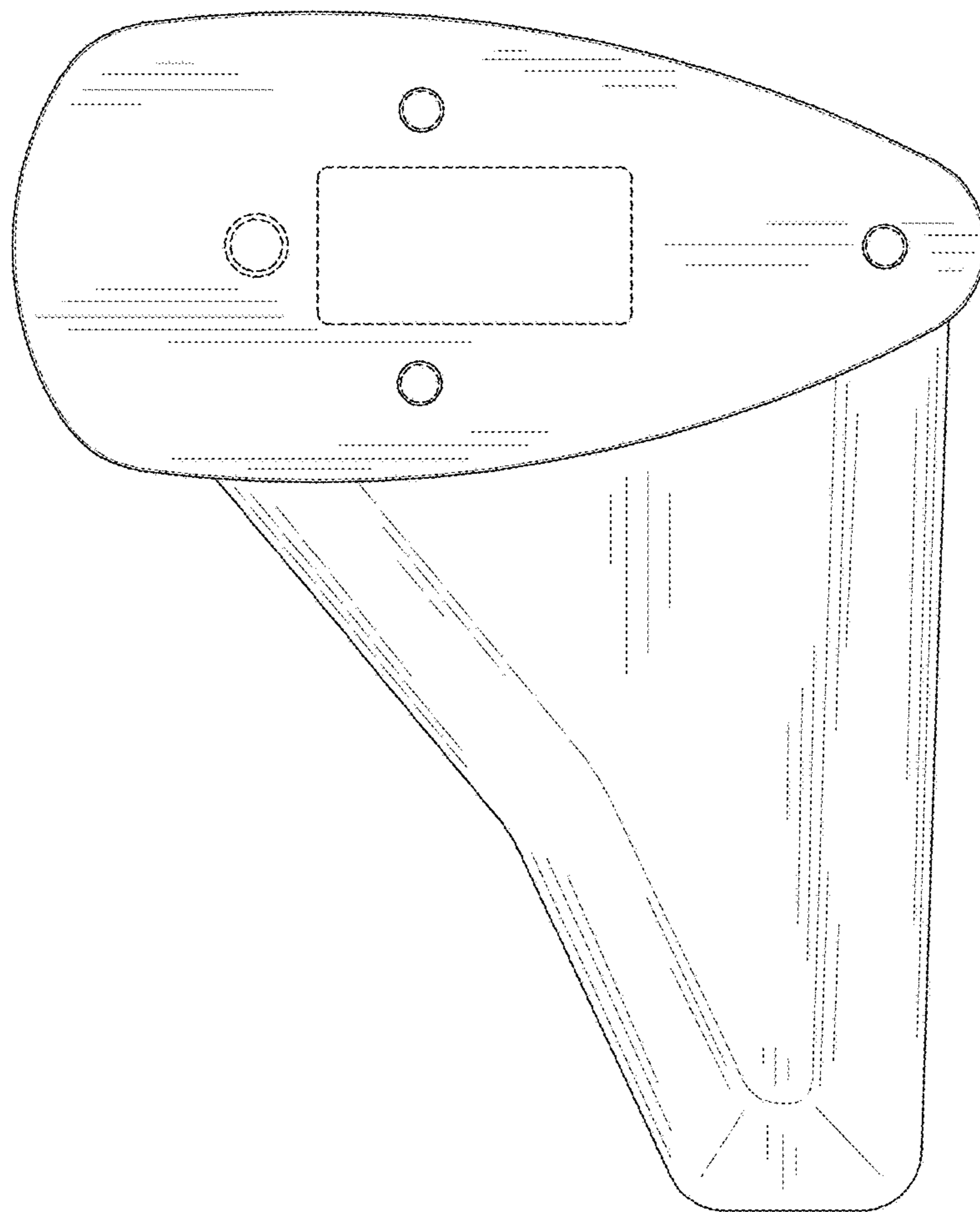


FIG. 13

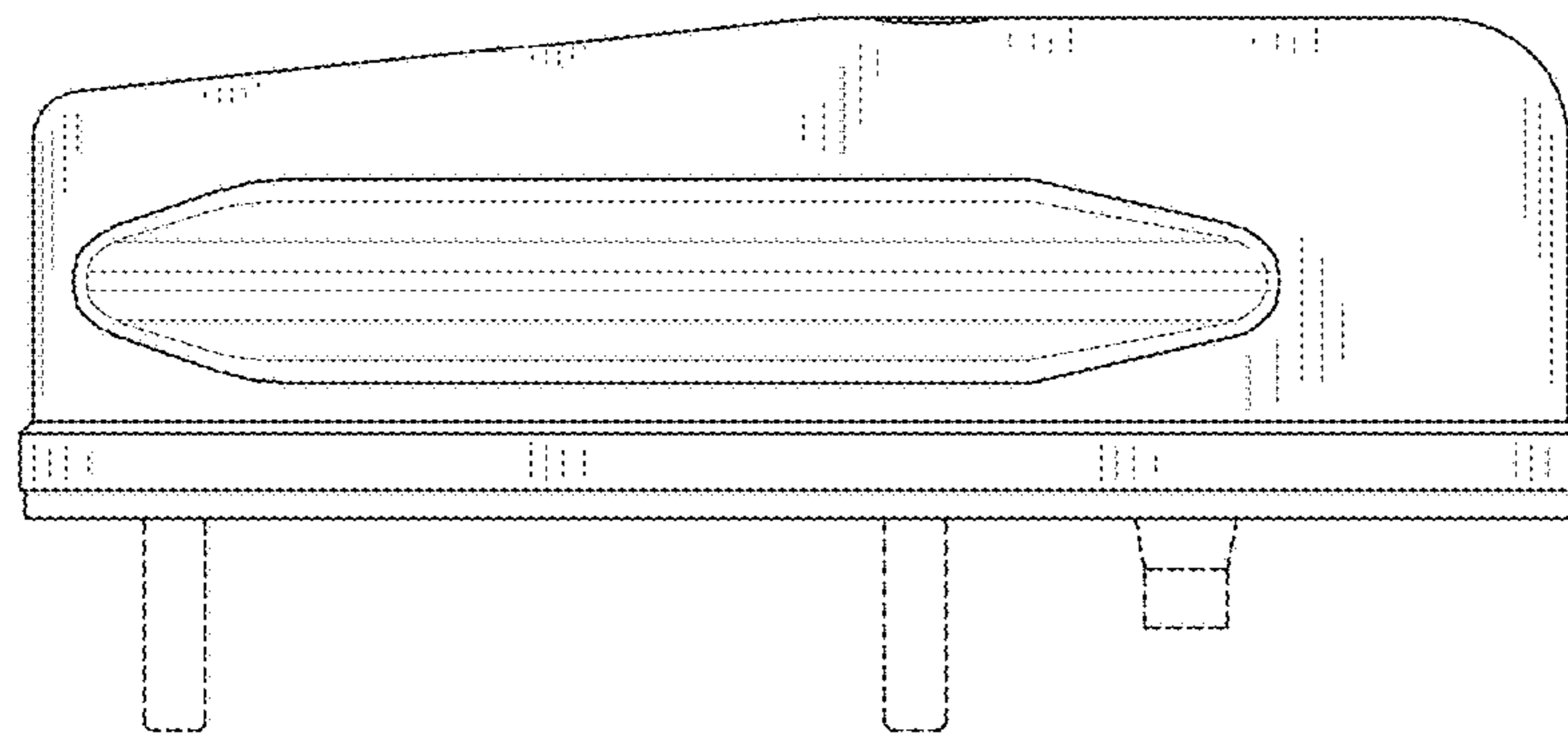


FIG. 14