



US00D842717S

(12) **United States Design Patent**
Carroll

(10) **Patent No.:** **US D842,717 S**
(45) **Date of Patent:** **** Mar. 12, 2019**

(54) **SENSOR HOUSING**

(71) Applicant: **Hunter Engineering Company**, St. Louis, MO (US)

(72) Inventor: **Craig A. Carroll**, O'Fallon, MO (US)

(73) Assignee: **Hunter Engineering Company**, St. Louis, MO (US)

(**) Term: **15 Years**

(21) Appl. No.: **29/615,497**

(22) Filed: **Aug. 29, 2017**

(51) **LOC (11) Cl.** **10-04**

(52) **U.S. Cl.**
USPC **D10/65**

(58) **Field of Classification Search**

USPC D10/65

CPC G01L 7/043; G01L 7/045; B60C 11/24; B60C 11/243; B60C 11/246; B60C 25/007; G01M 17/02; G01M 17/021; G01M 17/022; G01M 17/024; G01M 17/025; G01M 17/027; G01M 17/028; G01M 17/03; G01M 17/04; G01M 17/045; G01M 17/06; G01M 17/065

See application file for complete search history.

(56) **References Cited**

PUBLICATIONS

Hunter Engineering Company product literature, "Quick Tread Parts Drawing", Form No. 9-21, version 07-16c, dated Jul. 2016. (4 pages).

Hunter Engineering Company product literature, "Hunter Quick Tread Drive Over Tread Depth System—Service Manual", Form No. 6872-T, version 04-15d, dated Apr. 2015. (10 pages).

Primary Examiner — Antoine Duval Davis

(74) *Attorney, Agent, or Firm* — Sandberg, Phoenix & von Gontard P.C.

(57) **CLAIM**

The ornamental design for the sensor housing, as shown and described.

DESCRIPTION

FIG. 1 is a top perspective view of the sensor housing;

FIG. 2 is top plan view of the sensor housing;

FIG. 3 is bottom plan view of the sensor housing;

FIG. 4 is a left side plane view of the sensor housing;

FIG. 5 is a right side plan view of the sensor housing;

FIG. 6 is a rear view of the sensor housing; and,

FIG. 7 is a front view of the sensor housing.

The shading lines shown within portions of FIG. 1 illustrate transparent surfaces of the claimed design.

The broken lines shown within FIGS. 1, 3, 4, and 5 illustrate features that form no part of the claimed design.

1 Claim, 5 Drawing Sheets

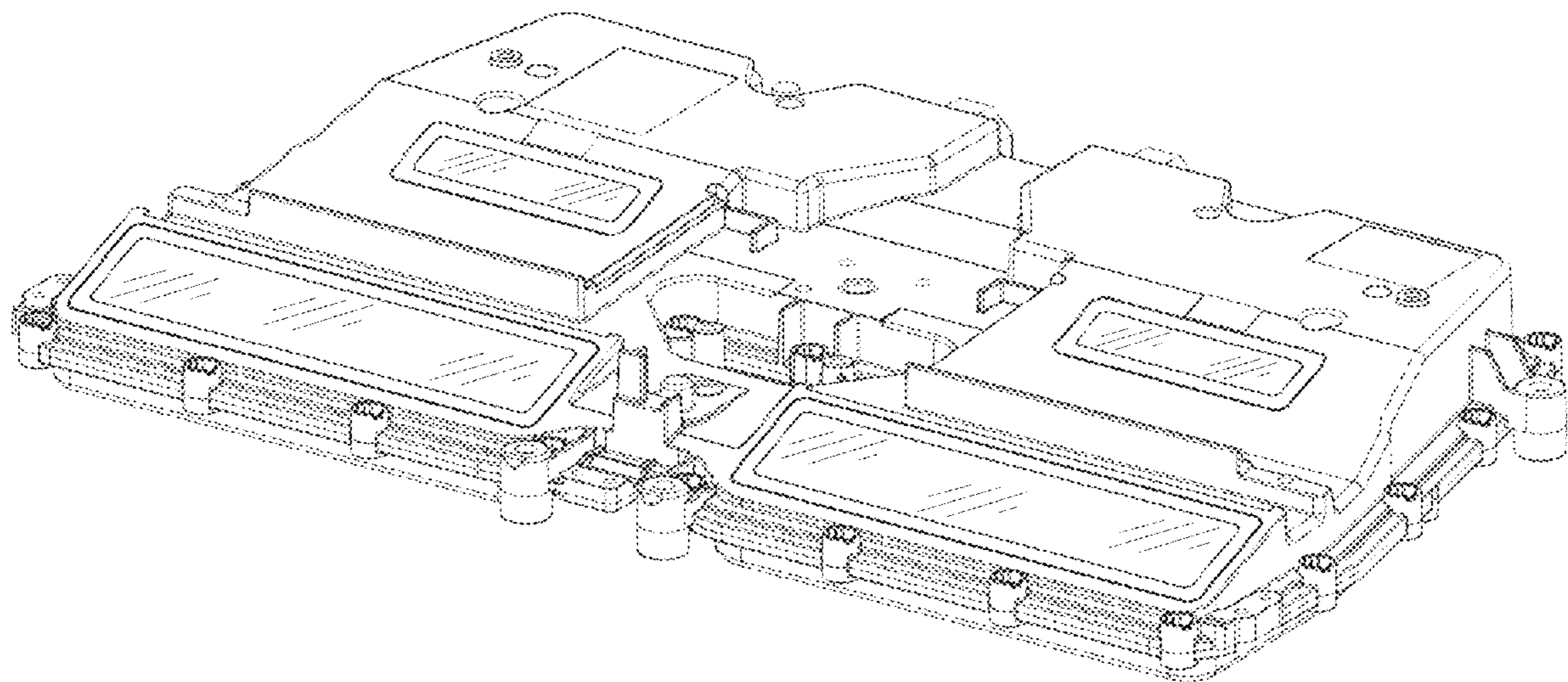


FIGURE 1

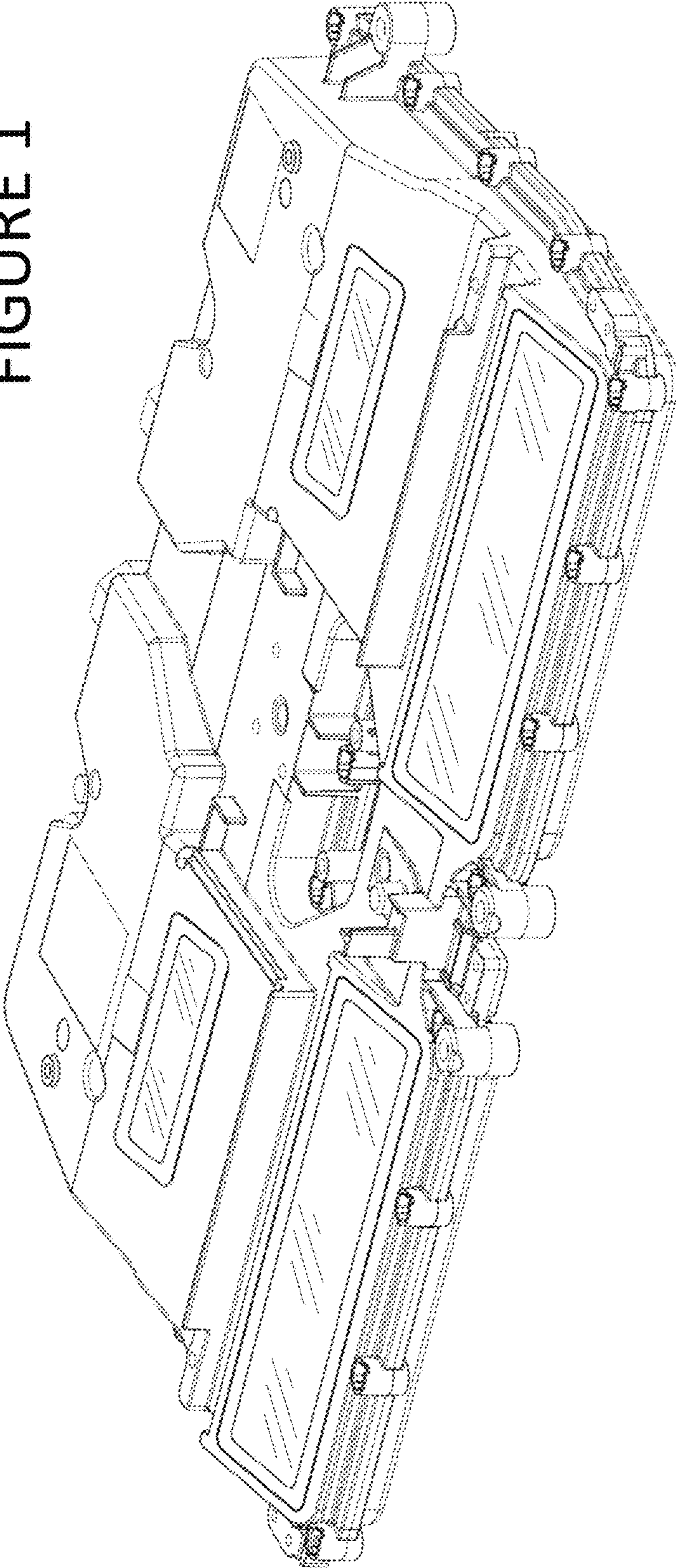


FIGURE 2

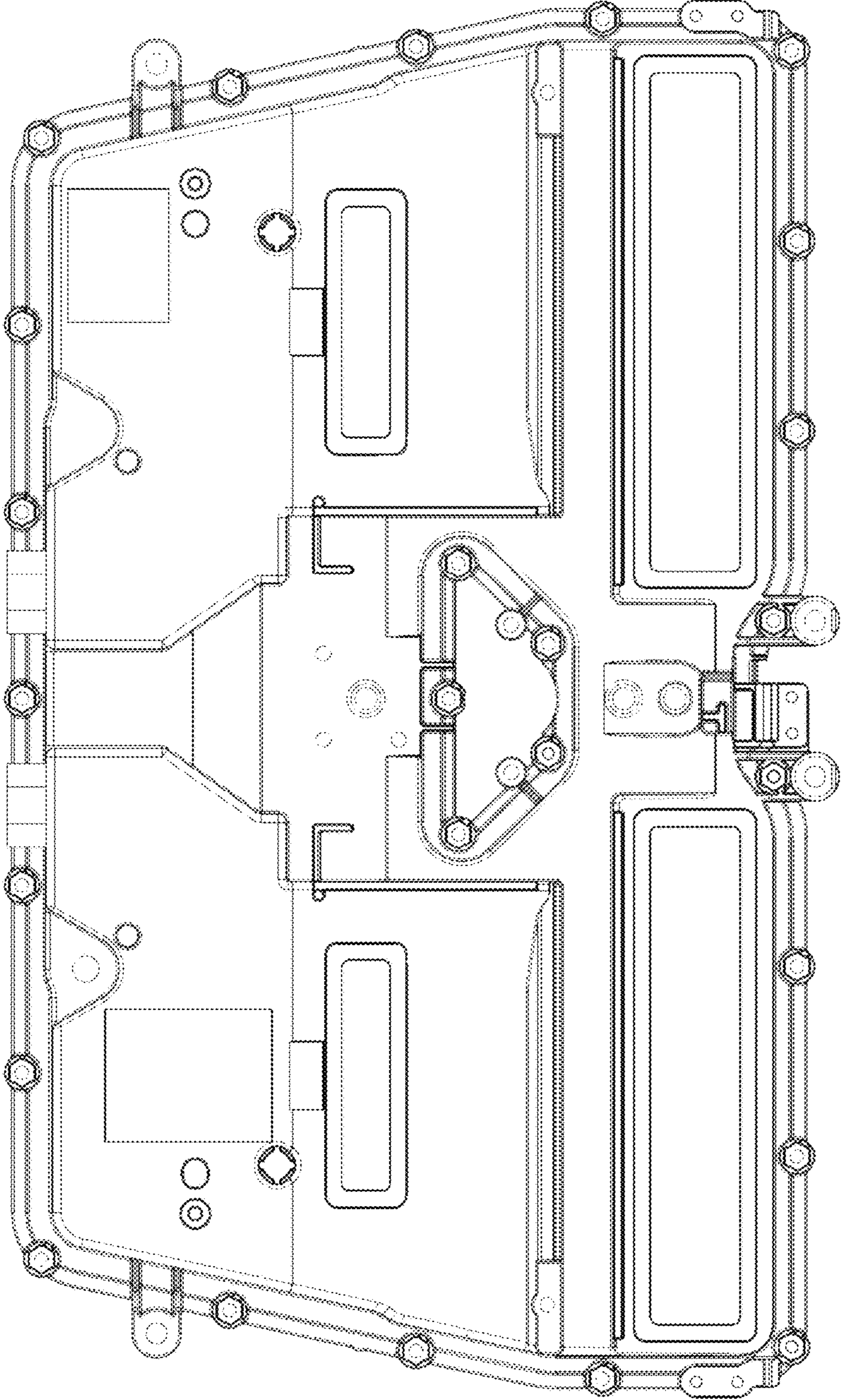


FIGURE 3

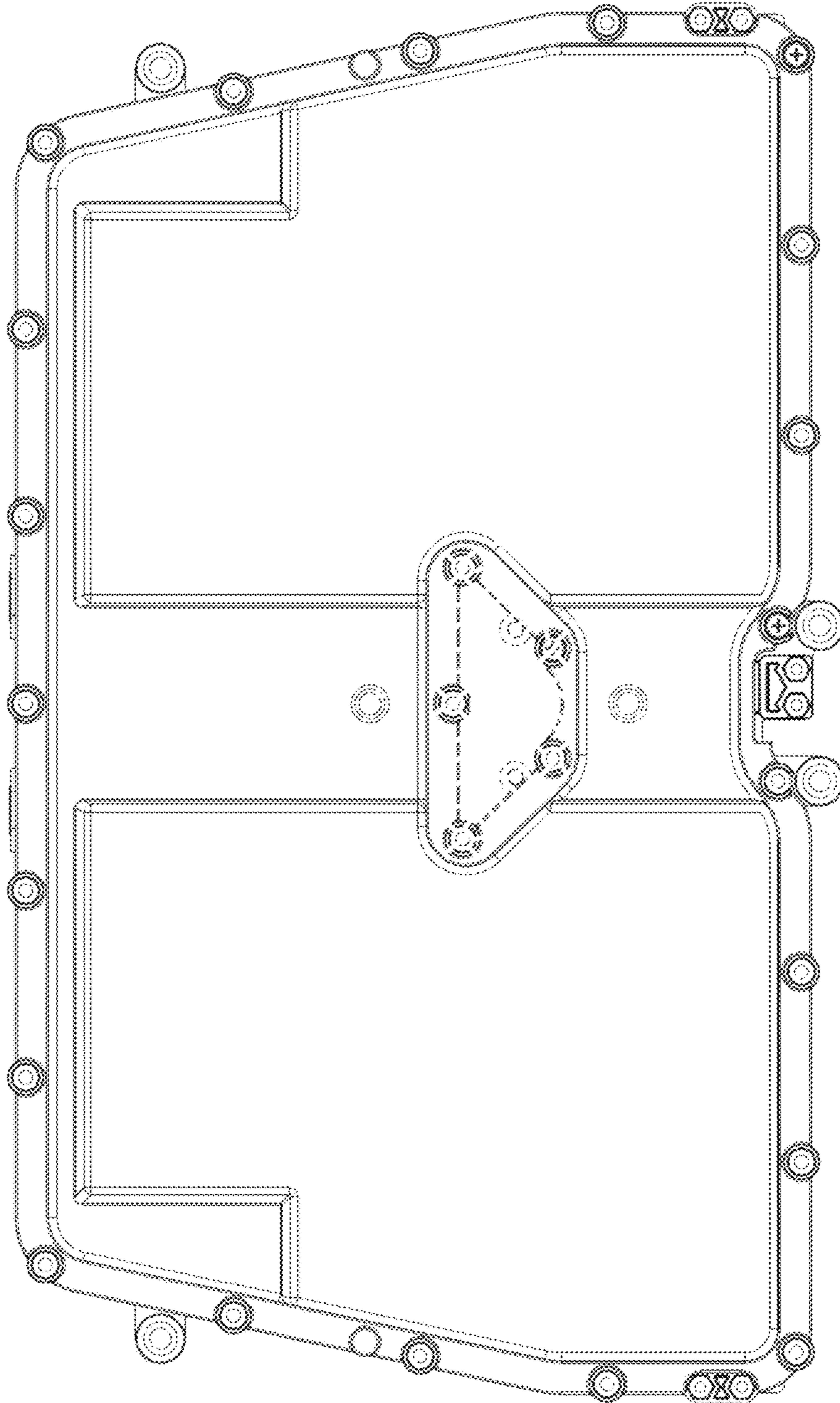


FIGURE 4

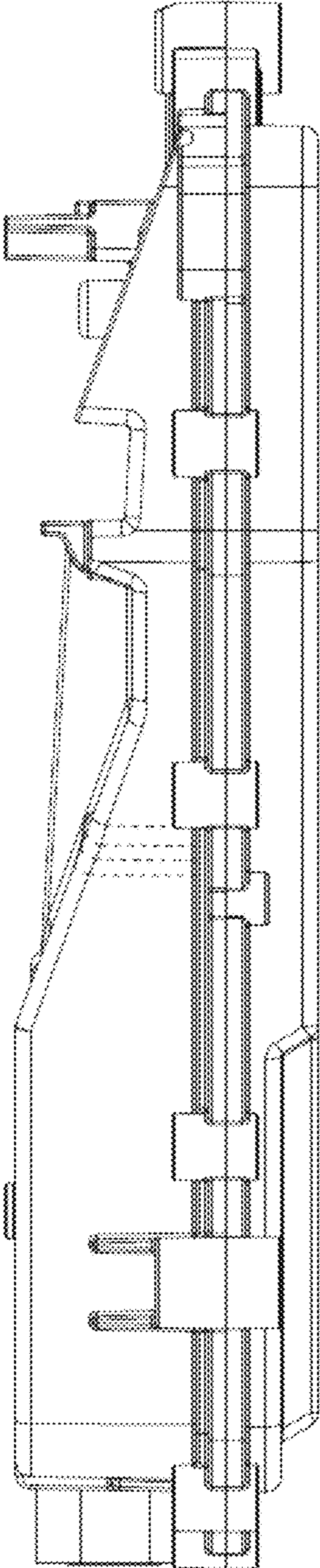


FIGURE 5

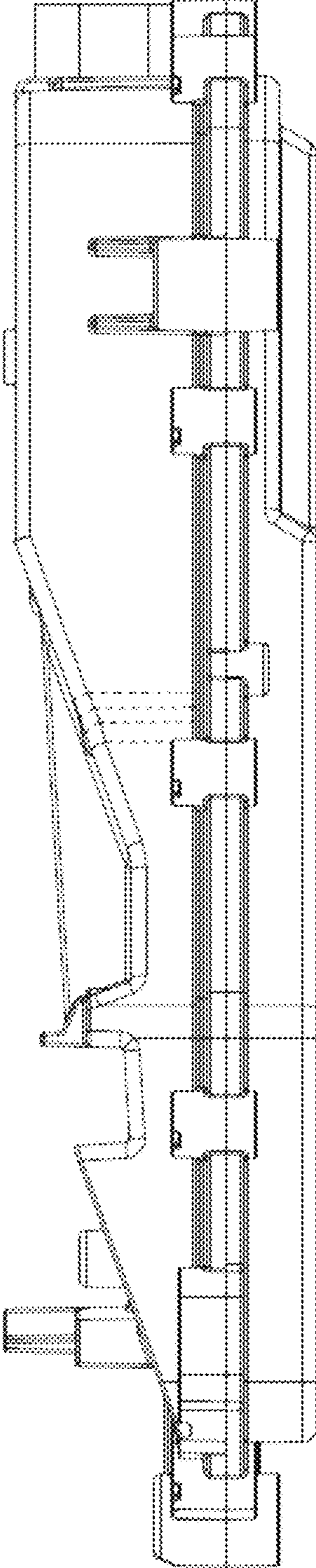


FIGURE 6

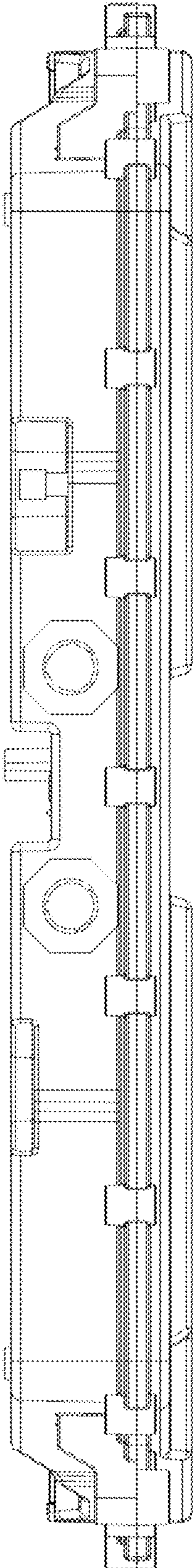


FIGURE 7

