



US00D842715S

(12) **United States Design Patent**  
**Fleet**

(10) **Patent No.:** **US D842,715 S**

(45) **Date of Patent:** **\*\* Mar. 12, 2019**

(54) **WEARABLE THERMOMETER**

(56) **References Cited**

(71) Applicant: **Reckitt Benckiser (Brands) Limited**,  
Slough (GB)

U.S. PATENT DOCUMENTS

(72) Inventor: **Thomas Fleet**, London (GB)

D544,379 S \* 6/2007 Lev ..... D10/57

D746,161 S \* 12/2015 Vardi ..... D10/52

D795,713 S \* 8/2017 Pugmire ..... D10/57

D795,714 S \* 8/2017 Pugmire ..... D10/57

2015/0272447 A1\* 10/2015 Ford ..... A61B 5/01  
600/549

(73) Assignee: **RECKITT BENCKISER (BRANDS)**  
**LIMITED**, Slough (GB)

(\*\*) Term: **15 Years**

\* cited by examiner

(21) Appl. No.: **29/638,666**

*Primary Examiner* — Antoine Duval Davis

(22) Filed: **Feb. 28, 2018**

(74) *Attorney, Agent, or Firm* — Troutman Sanders LLP;  
Ryan Schneider; Chris Davis

(30) **Foreign Application Priority Data**

(57) **CLAIM**

Oct. 10, 2017 (EM) ..... 004394104-0001

(51) **LOC (11) Cl.** ..... **10-04**

The ornamental design for a wearable thermometer, as  
shown and described.

(52) **U.S. Cl.**

USPC ..... **D10/57**

(58) **Field of Classification Search**

USPC ..... D10/57, 58

CPC ..... G01K 11/12; G01K 11/125; G01K 11/14;

G01K 11/16; G01K 11/165; G01K 11/18;

A61N 1/0472; A61N 1/0476; A61N

1/048; A61N 1/0484; A61N 1/0488;

A61N 1/0492; A61N 1/0496; A61N 1/37;

A61N 1/3702; A61N 1/3704; A61N

1/3706; A61N 1/3708; A61N 1/371;

A61N 1/3712; A61N 1/3714; A61N

1/3716; A61N 1/3718

See application file for complete search history.

**DESCRIPTION**

FIG. 1 is a perspective view of my new design for a wearable  
thermometer;

FIG. 2 is a top plan view thereof;

FIG. 3 is a bottom plan view thereof;

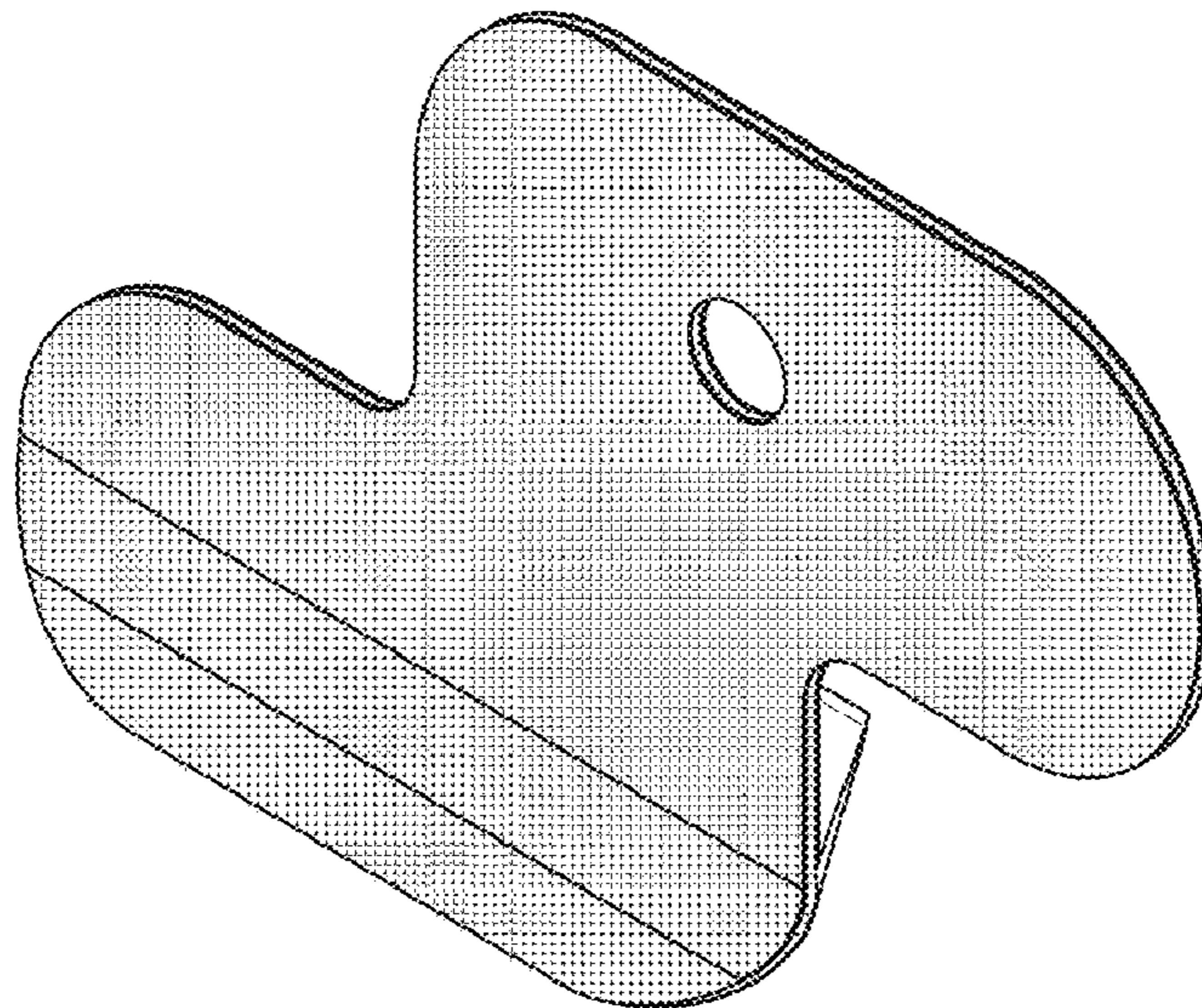
FIG. 4 is a side elevation view thereof;

FIG. 5 is another side elevation view thereof;

FIG. 6 is a rear elevation view thereof; and,

FIG. 7 is a front elevation view thereof.

**1 Claim, 4 Drawing Sheets**



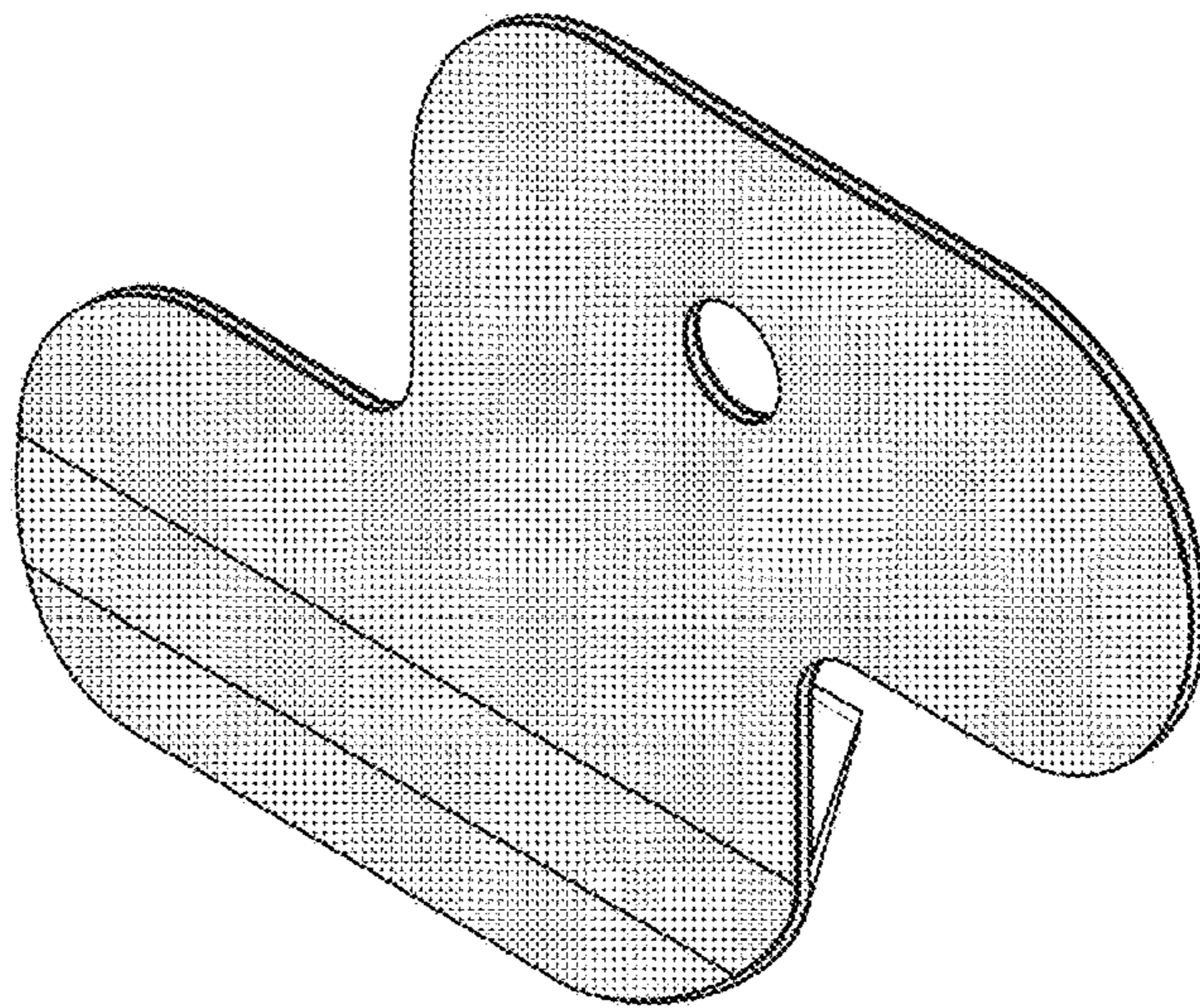


Fig. 1

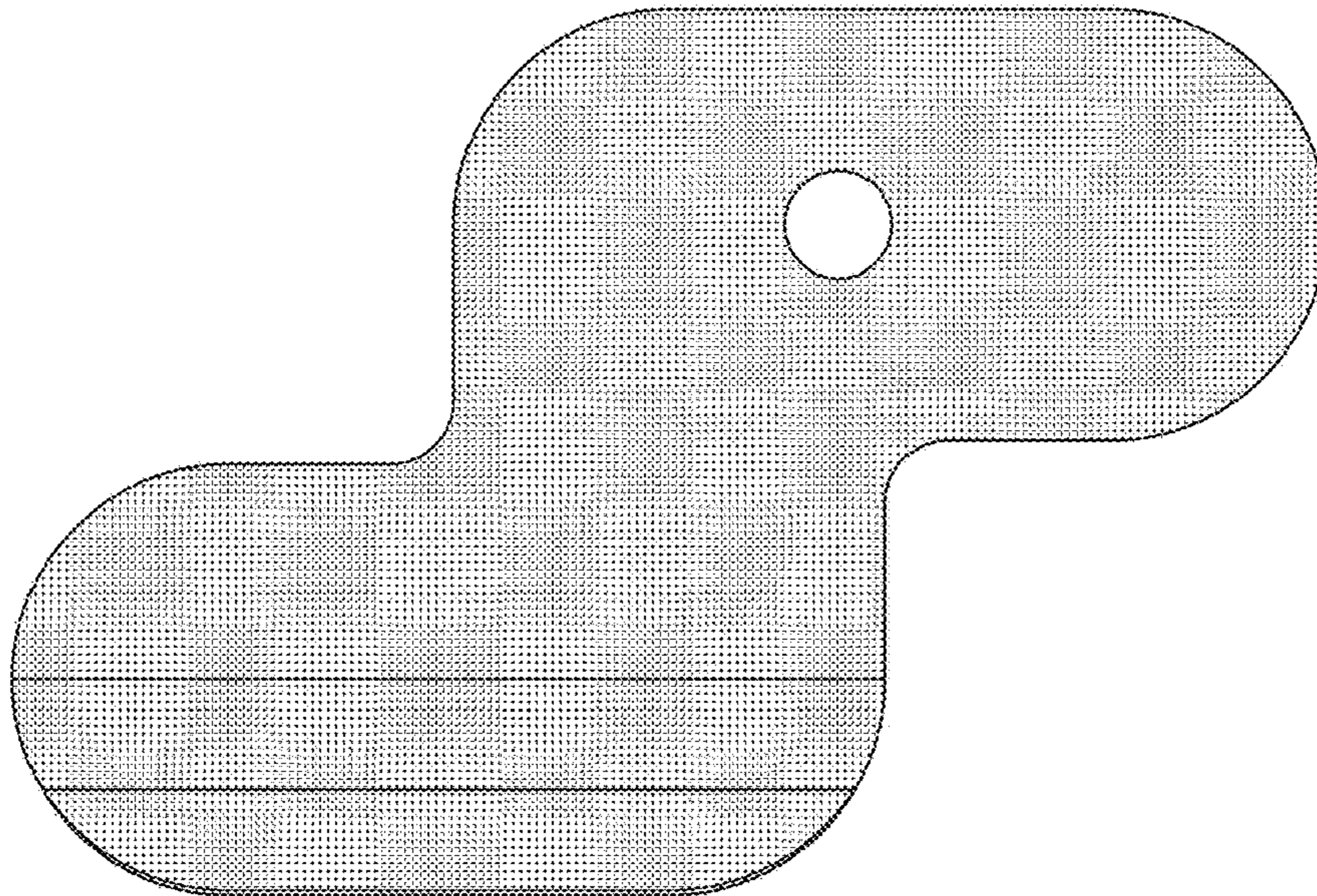


Fig. 2

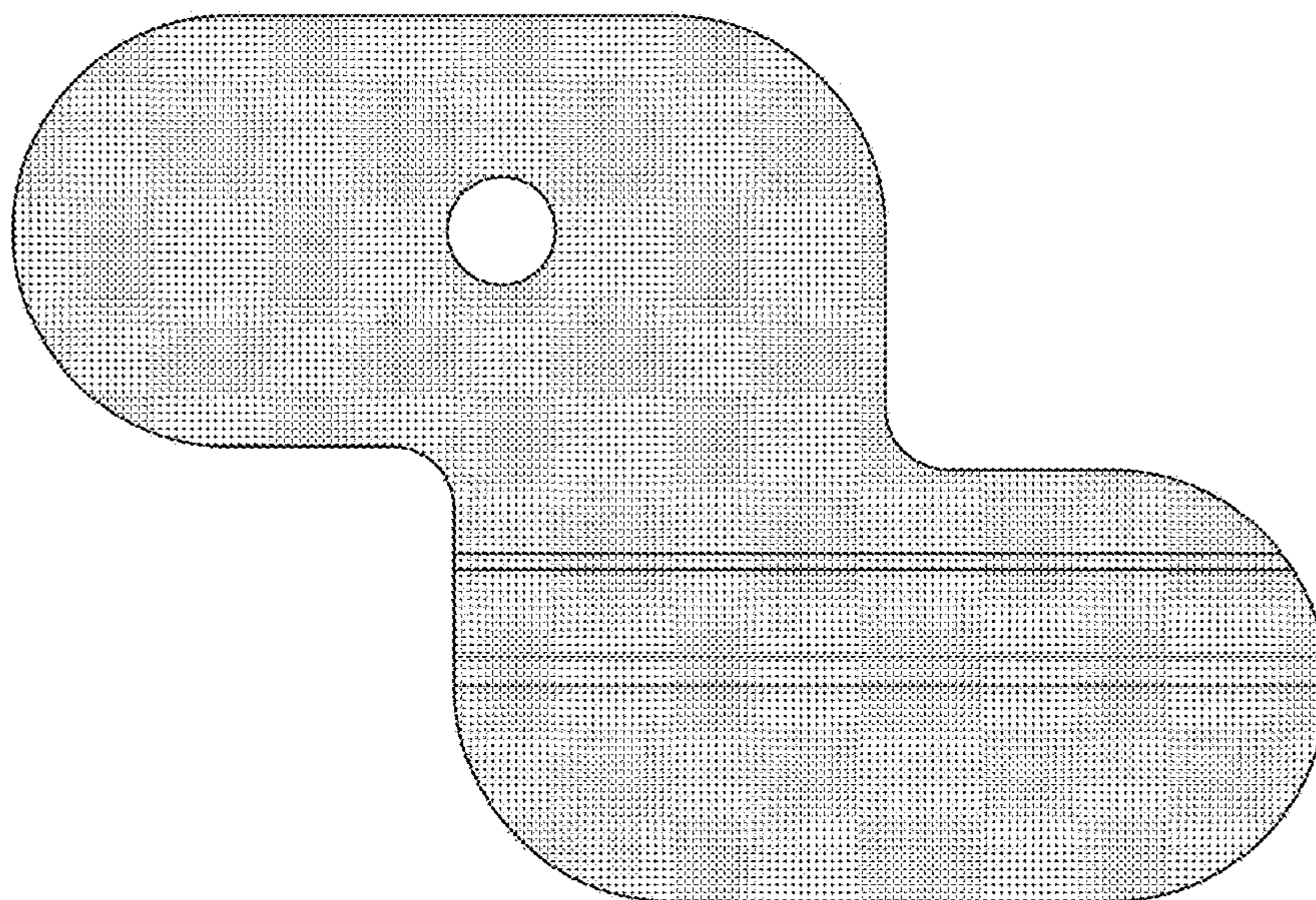


Fig. 3

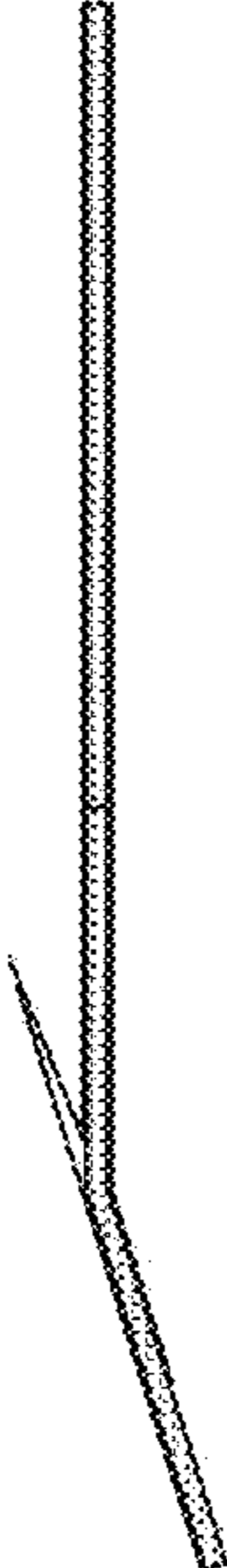


Fig. 4

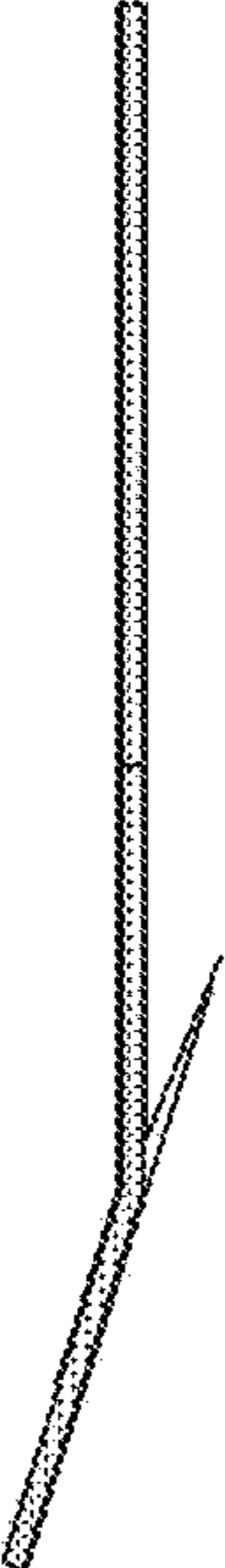


Fig. 5

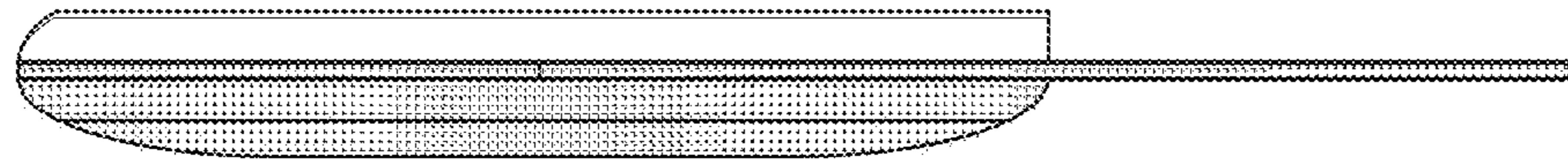


Fig. 6

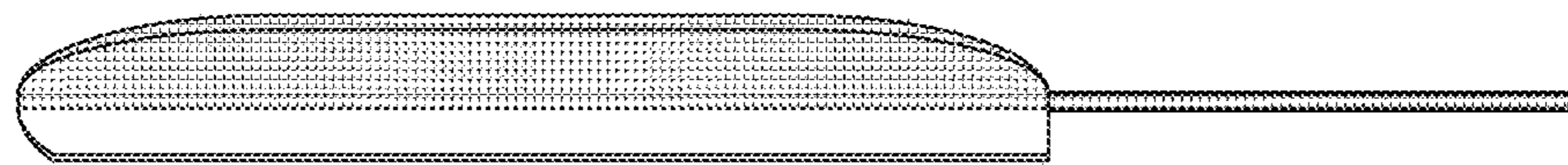


Fig. 7