



US00D842712S

(12) **United States Design Patent** (10) **Patent No.:** **US D842,712 S**
Swanson et al. (45) **Date of Patent:** **** Mar. 12, 2019**

(54) **THERMOSTAT**

(71) Applicant: **Johnson Controls, Inc.**, Milwaukee, WI (US)

(72) Inventors: **Kurt Swanson**, Philadelphia, PA (US);
Devin Sidell, Philadelphia, PA (US);
Alexander McAuley, Geneva (CH);
Gary Hsieh, Philadelphia, PA (US);
Robert S. Munin, Philadelphia, PA (US)

(73) Assignee: **Johnson Controls, Inc.**, Milwaukee, WI (US)

(**) Term: **15 Years**

(21) Appl. No.: **29/609,893**

(22) Filed: **Jul. 6, 2017**

(51) **LOC (11) Cl.** **10-04**

(52) **U.S. Cl.**
USPC **D10/50**

(58) **Field of Classification Search**
USPC D10/49, 50, 60; D13/162, 162.1, 164, D13/177

CPC . F23N 5/20; F23N 5/203; F23N 5/206; F23N 5/18; F23N 5/184; F23N 5/187; F23N 5/22; F23N 2025/12; F23N 2041/02; F24F 11/00; F24F 11/0012; F24F 11/0009; F24F 11/001; F24F 2011/0057; F24F 2011/0073; F24F 2011/0091; F24F 2011/0094; F24F 2011/0068; F24F 2011/0012; F24F 2011/0015; F24F 2011/0017; F21V 11/16; F21V 33/10; G05B 19/042; G05D 23/01; G05D 23/12; G05D 23/275; G05D 23/1902; G05D 23/1904; G05D 23/27502; G05D 23/27503; G05D 23/1919; G05D 23/19; G05D 23/2723; G05D 23/00; G09F 13/22; G09F 9/53; G06F 1/1684; G06F

1/30; G06F 3/0362; G06F 3/038; H05B 33/0854; H05B 37/0218; H05K 5/0017; H05K 5/0243; H05K 5/00; H05K 5/03; H04M 2250/12; H04M 2250/22

See application file for complete search history.

(56) **References Cited**

U.S. PATENT DOCUMENTS

D613,626 S	4/2010	Wang	
D664,453 S	7/2012	Roddy	
D667,739 S	9/2012	Saitou	
D712,756 S	9/2014	Rump et al.	
D716,158 S	10/2014	Baumgartner et al.	
D723,948 S	3/2015	Baumgartner et al.	
D814,956 S *	4/2018	Lee	D10/106.7

* cited by examiner

Primary Examiner — Antoine Duval Davis

(74) *Attorney, Agent, or Firm* — Foley & Lardner LLP

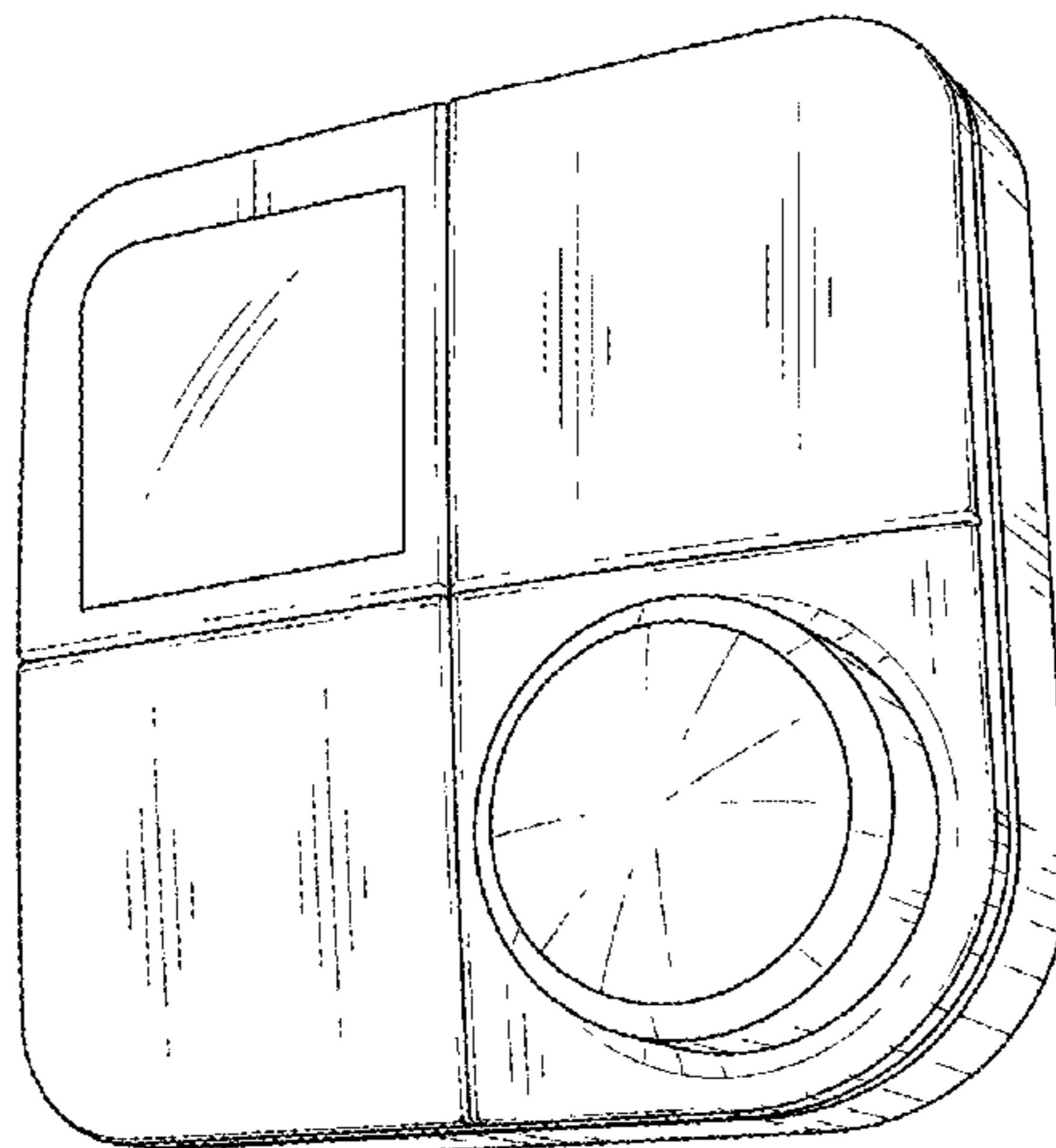
(57) **CLAIM**

The ornamental design for a thermostat, as shown and described.

DESCRIPTION

FIG. 1 is a front perspective view of a thermostat in accordance with a preferred embodiment of our design; FIG. 2 is a top plan view thereof; FIG. 3 is a front elevational view thereof; FIG. 4 is a bottom plan view thereof; FIG. 5 is a right side elevational view thereof; and, FIG. 6 is a left side elevational view thereof. The broken lines in the figures are for the purpose of showing environmental structure, are for illustrative purposes only, and form no part of the claimed design. The rear elevational view of the thermostat is not shown in the drawings or described in the specification and, therefore, forms no part of the claimed design.

1 Claim, 3 Drawing Sheets



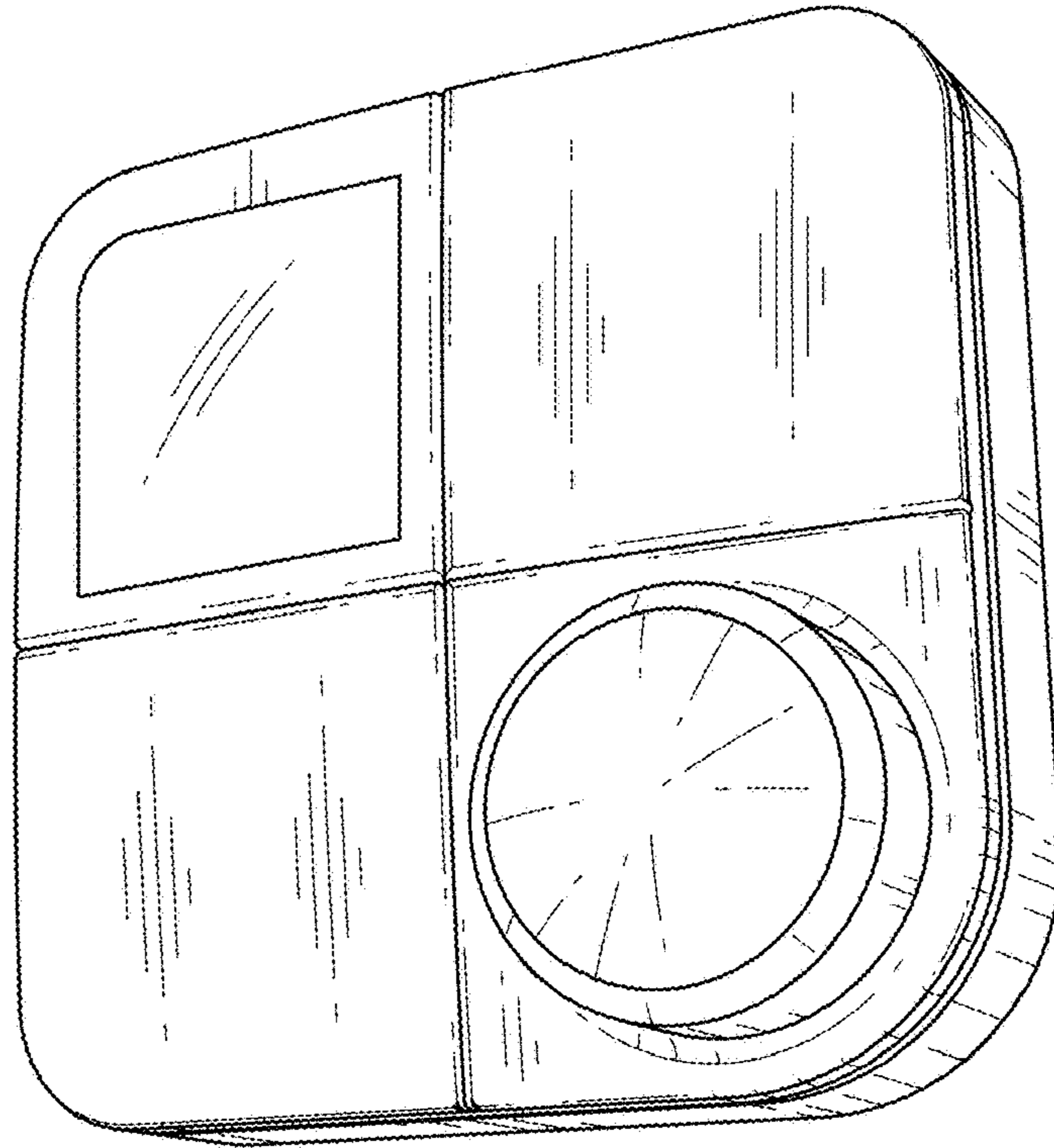


Fig. 1

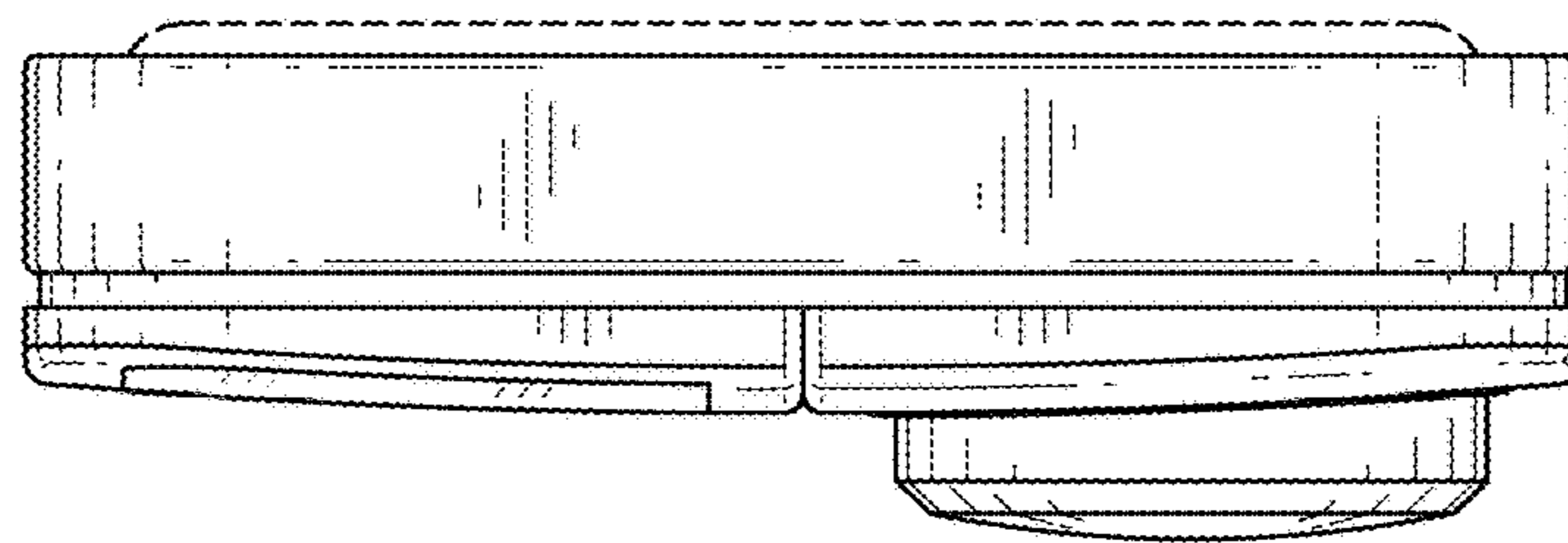


Fig. 2

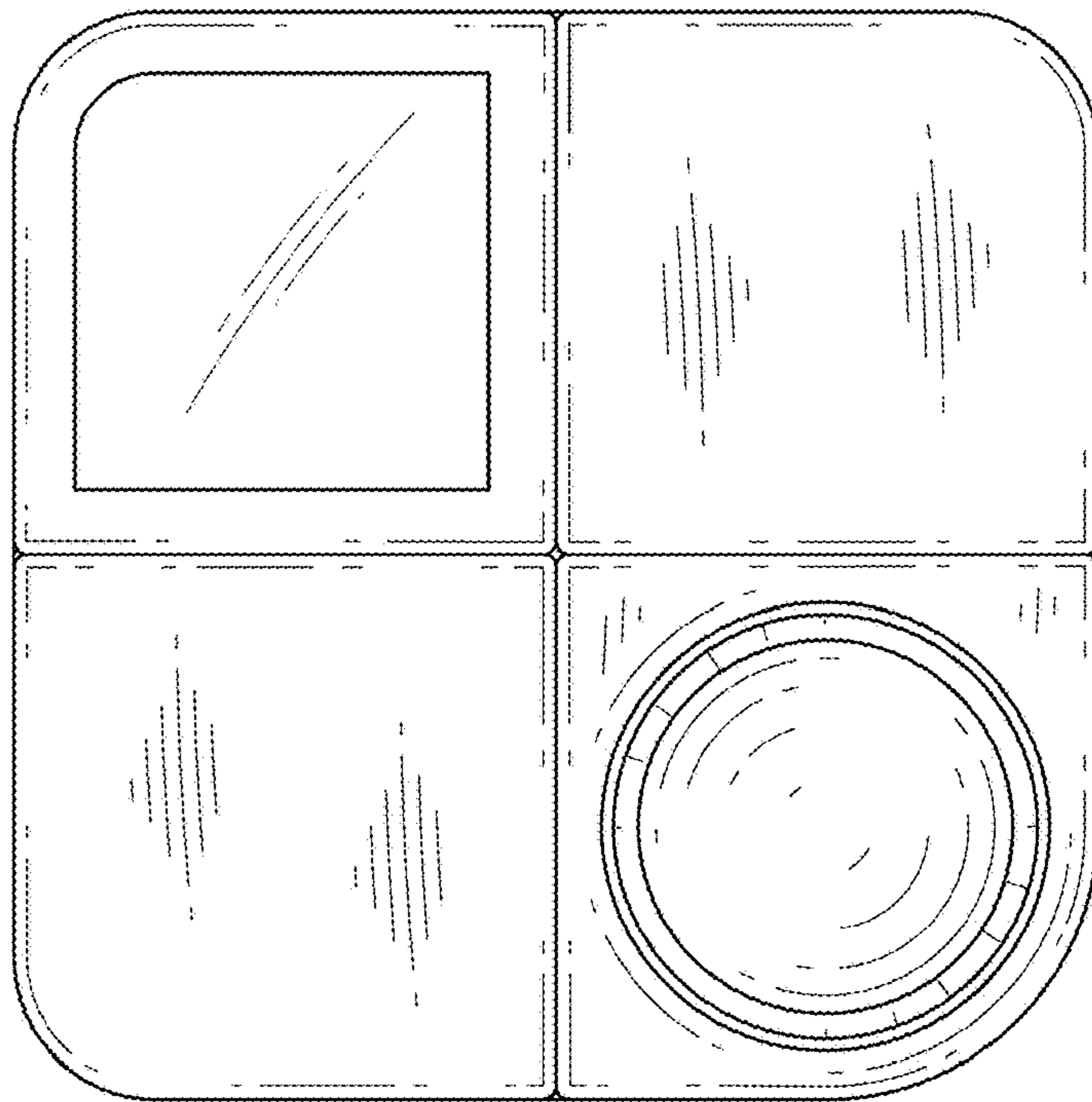


Fig. 3

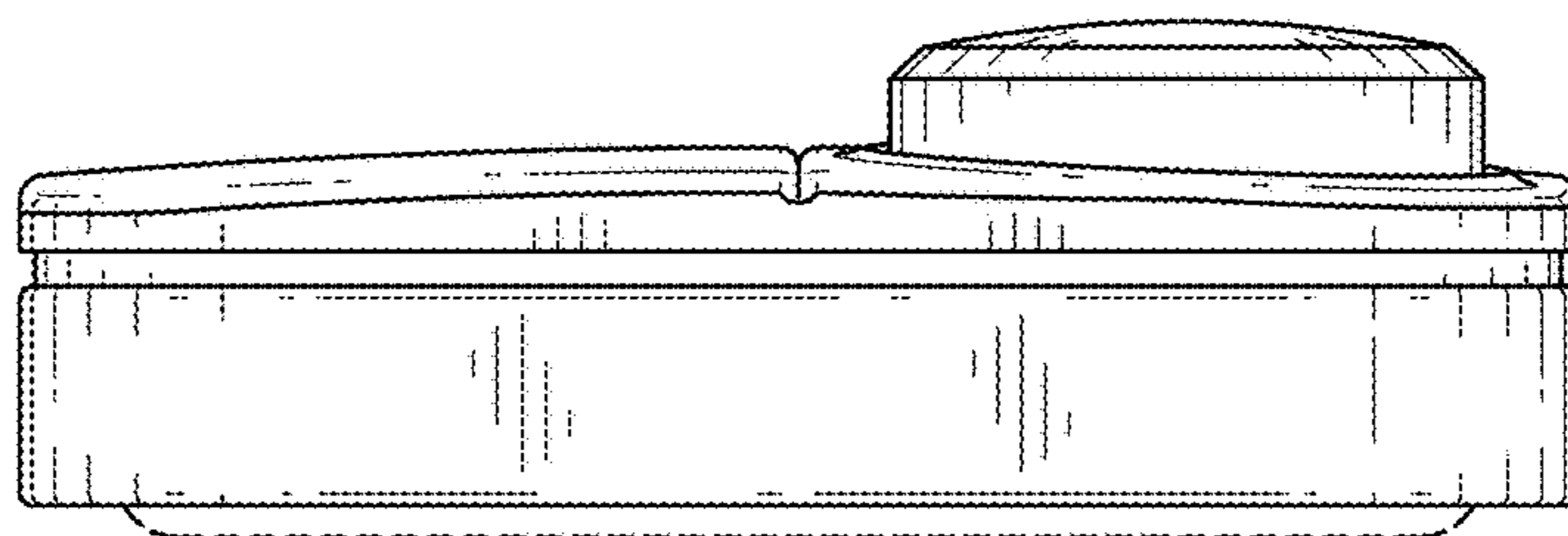


Fig. 4

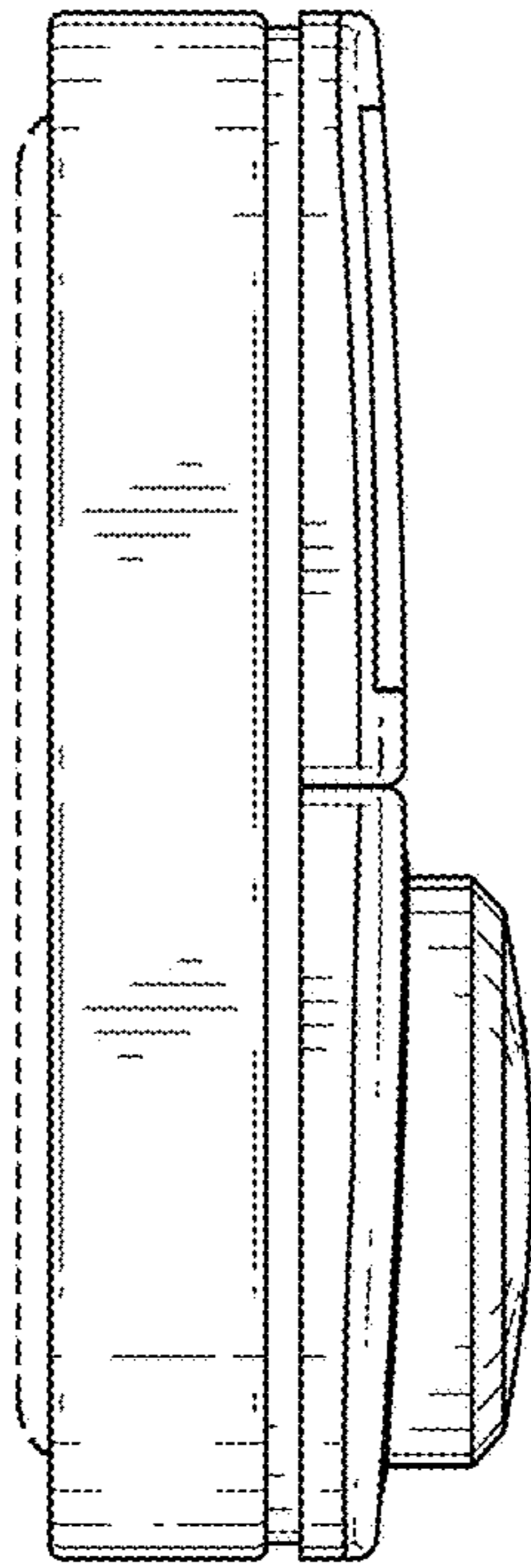


Fig. 5

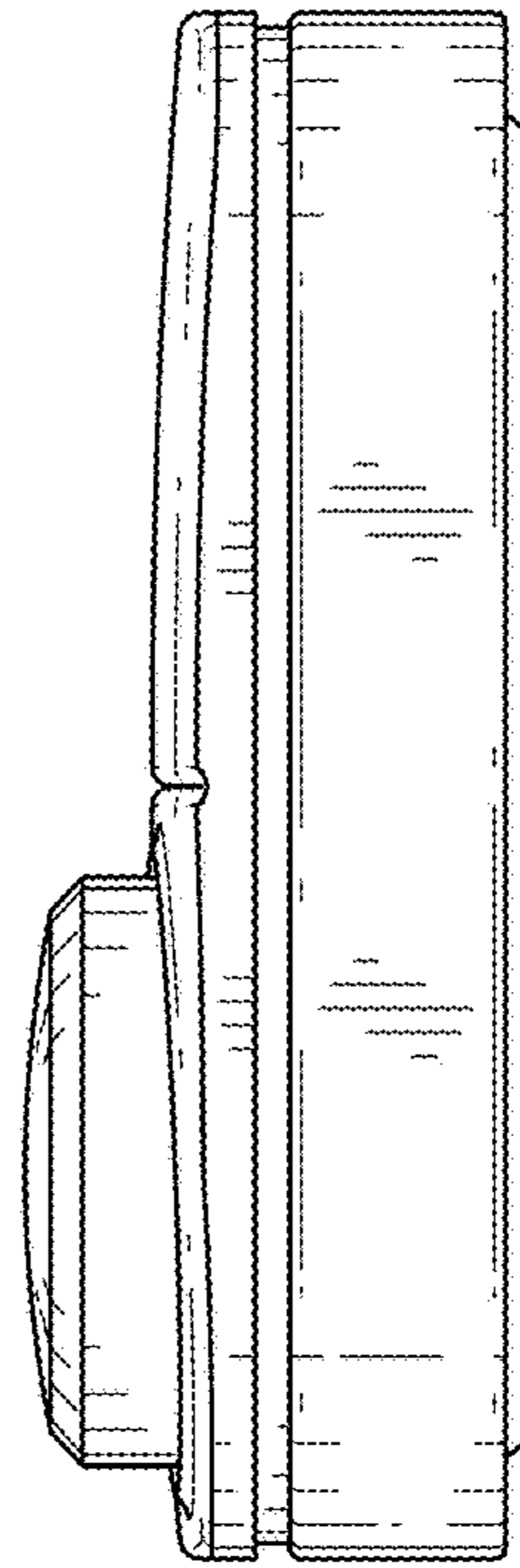


Fig. 6