

US00D842710S

(12) **United States Design Patent**
Deng

(10) **Patent No.:** **US D842,710 S**
(45) **Date of Patent:** **** Mar. 12, 2019**

(54) **METAL DETECTOR**

(71) Applicant: **Maoquan Deng**, Covina, CA (US)

(72) Inventor: **Maoquan Deng**, Covina, CA (US)

(**) Term: **15 Years**

(21) Appl. No.: **29/611,337**

(22) Filed: **Jul. 20, 2017**

(51) **LOC (11) Cl.** **10-04**

(52) **U.S. Cl.**
USPC **D10/47**

(58) **Field of Classification Search**
USPC D10/47
CPC ... G01V 3/00; G01V 3/02; G01V 3/04; G01V 3/06; G01V 3/08; G01V 3/081; G01V 3/082; G01V 3/083; G01V 2003/084; G01V 2003/085; G01V 2003/086; G01V 3/087; G01V 3/088; G01V 3/10; G01V 3/101; G01V 3/102; G01V 3/104; G01V 3/105; G01V 3/107; G01V 3/108; G01V 3/12; G01V 3/14; G01V 3/15; G01V 3/16; G01V 3/165; G01V 3/17; G01V 3/175; G01V 3/18; G01V 3/20; G01V 3/22; G01V 3/24; G01V 3/26; G01V 3/265; G01V 3/28; G01V 3/30; G01V 3/32; G01V 3/34; G01V 3/36; G01V 3/38; G01V 3/40

See application file for complete search history.

(56) **References Cited**

U.S. PATENT DOCUMENTS

D719,853 S * 12/2014 Manneschi D10/103

* cited by examiner

Primary Examiner — Antoine Duval Davis

(74) *Attorney, Agent, or Firm* — Fish & Richardson P.C.

(57) **CLAIM**

The ornamental design for a metal detector, substantially as shown and described.

DESCRIPTION

FIG. 1 is a perspective view of an ornamental design for a metal detector, showing a portion of a top side of the metal detector.

FIG. 2 is a perspective view of the design for the metal detector, showing a portion of a bottom side of the metal detector.

FIG. 3 is a front view of the design for the metal detector.

FIG. 4 is a back view of the design for the metal detector.

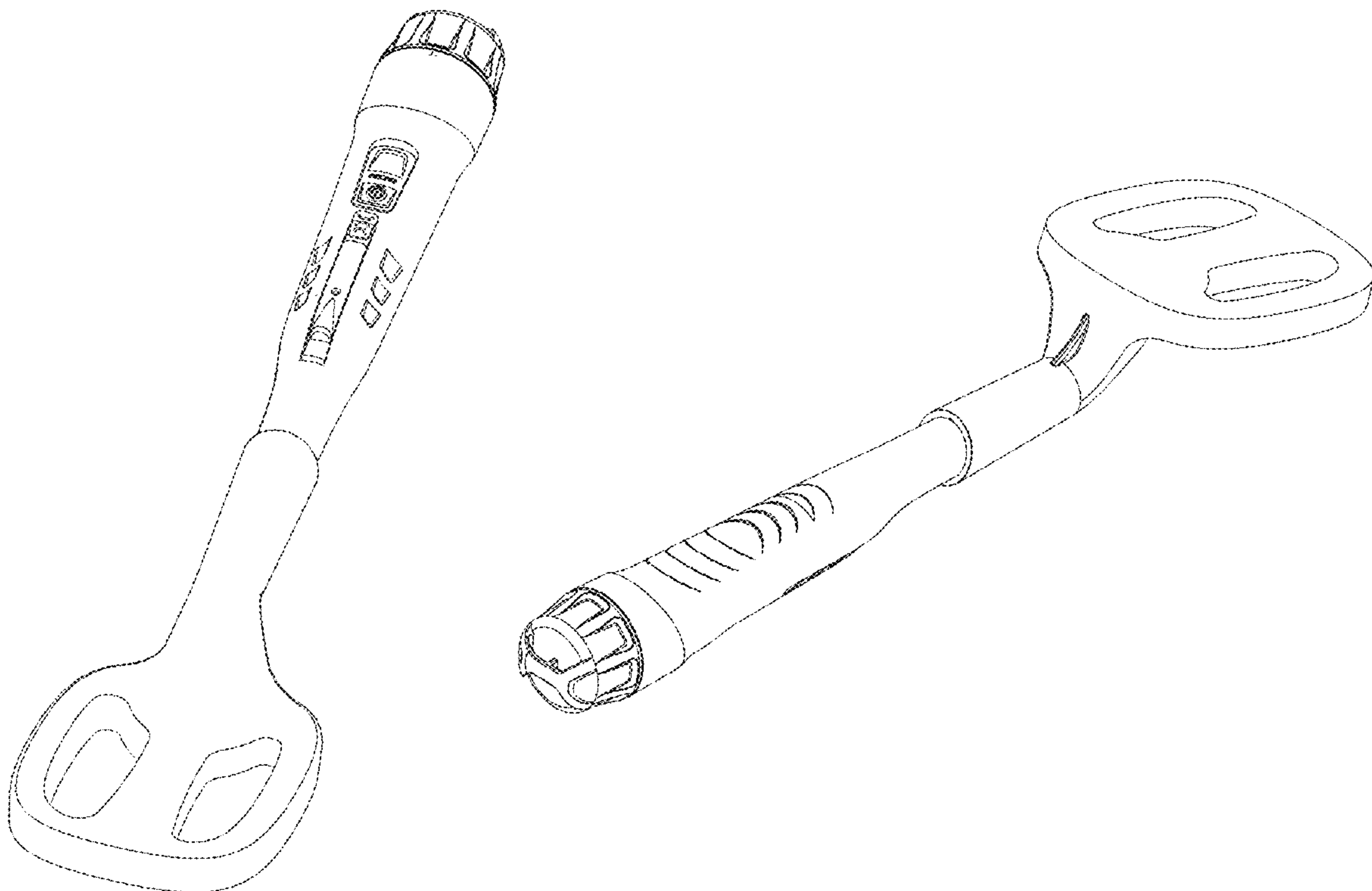
FIG. 5 is a right side view of the design for the metal detector.

FIG. 6 is a left side view of the design for the metal detector.

FIG. 7 is a top view of the design for the metal detector; and,

FIG. 8 is a bottom view of the design for the metal detector.

1 Claim, 5 Drawing Sheets



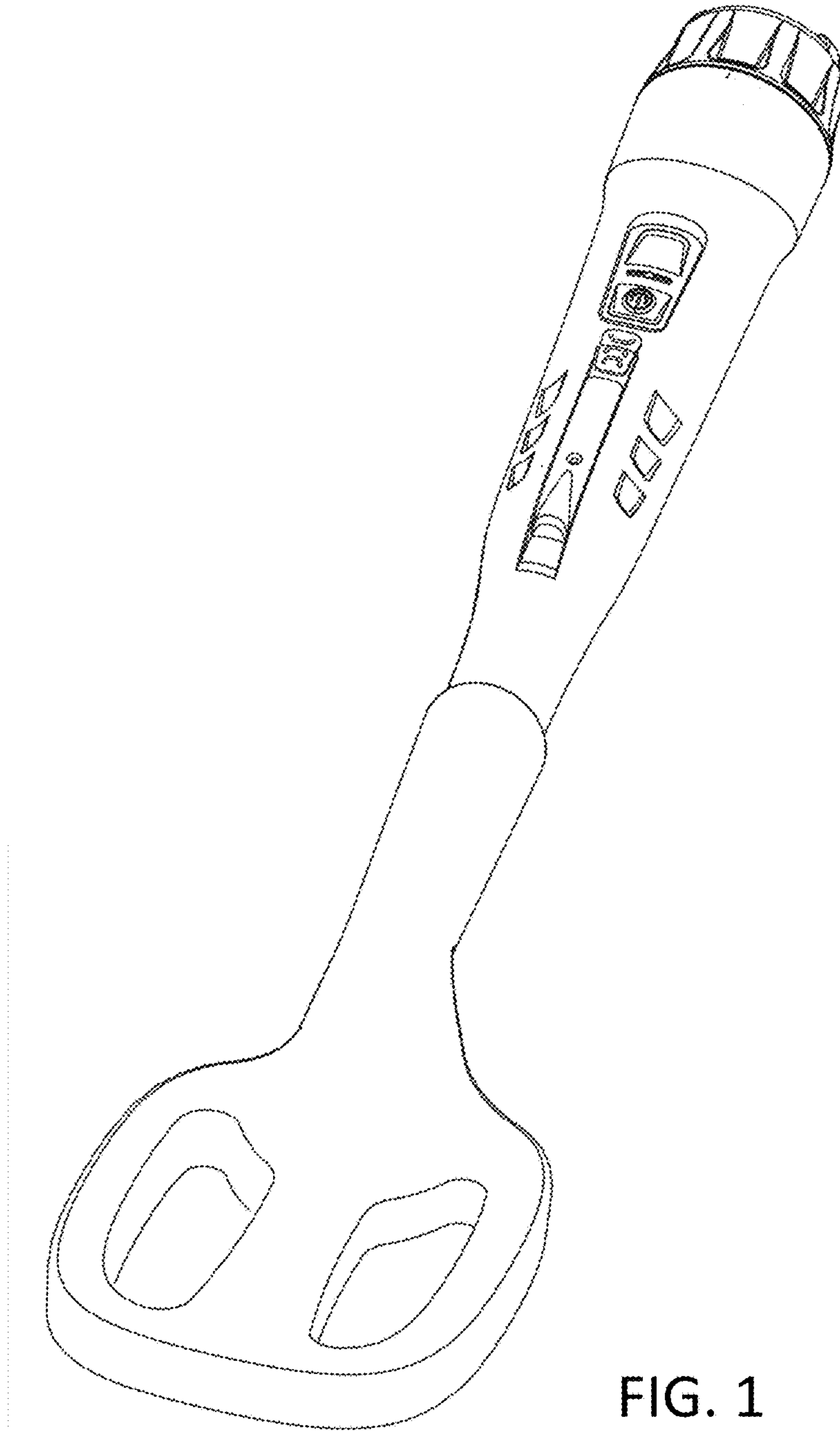


FIG. 1

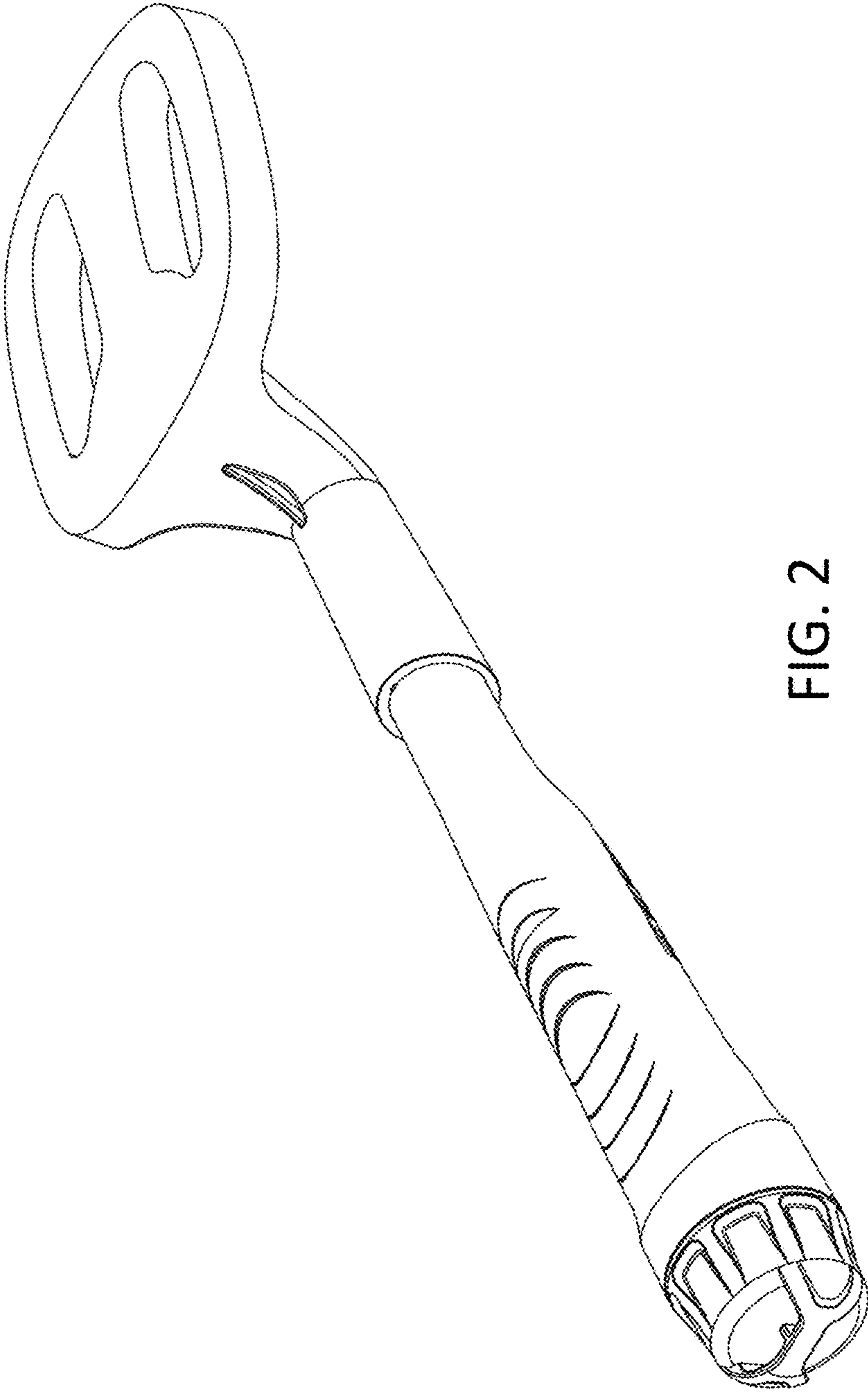


FIG. 2

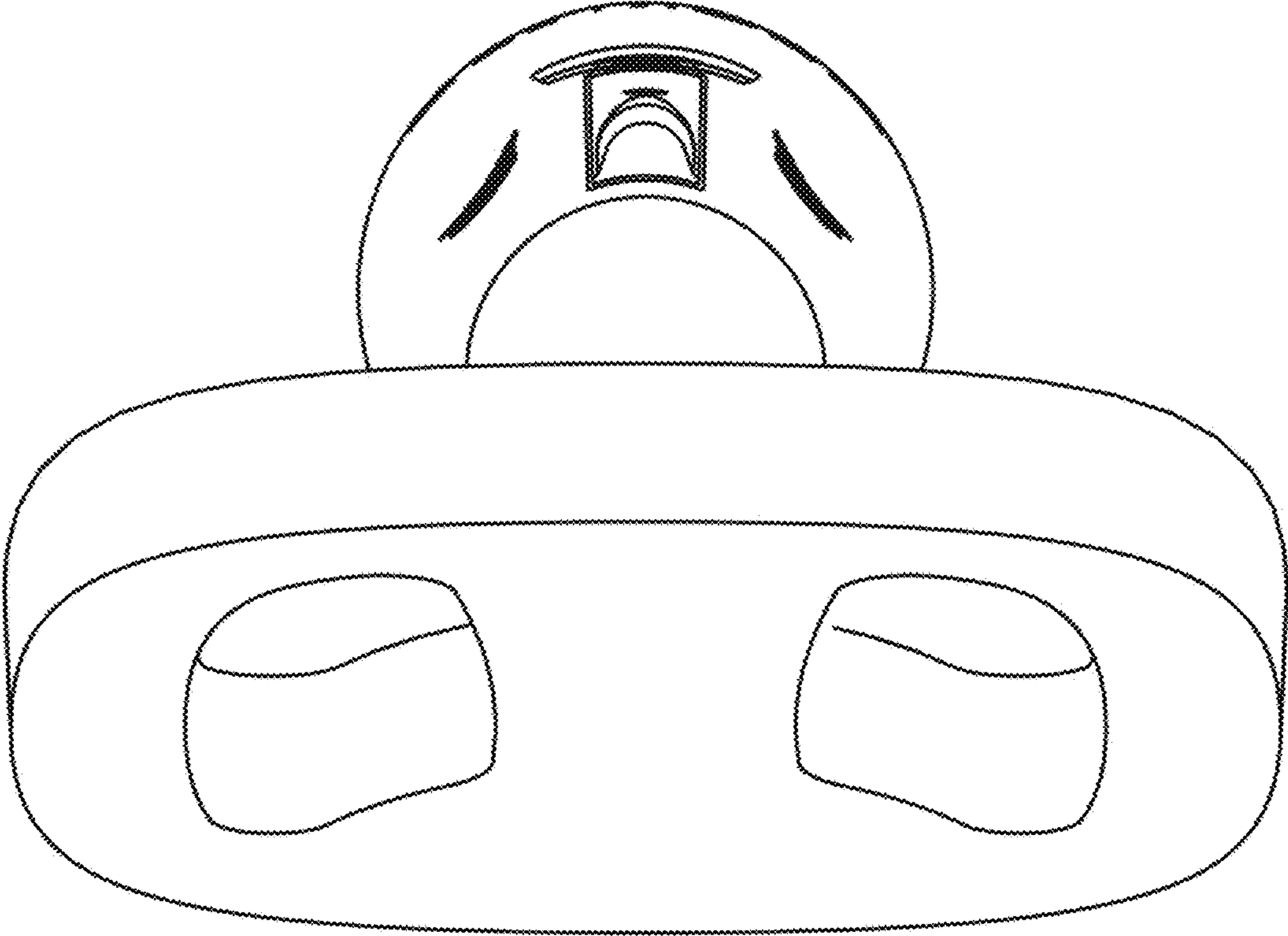


FIG. 3

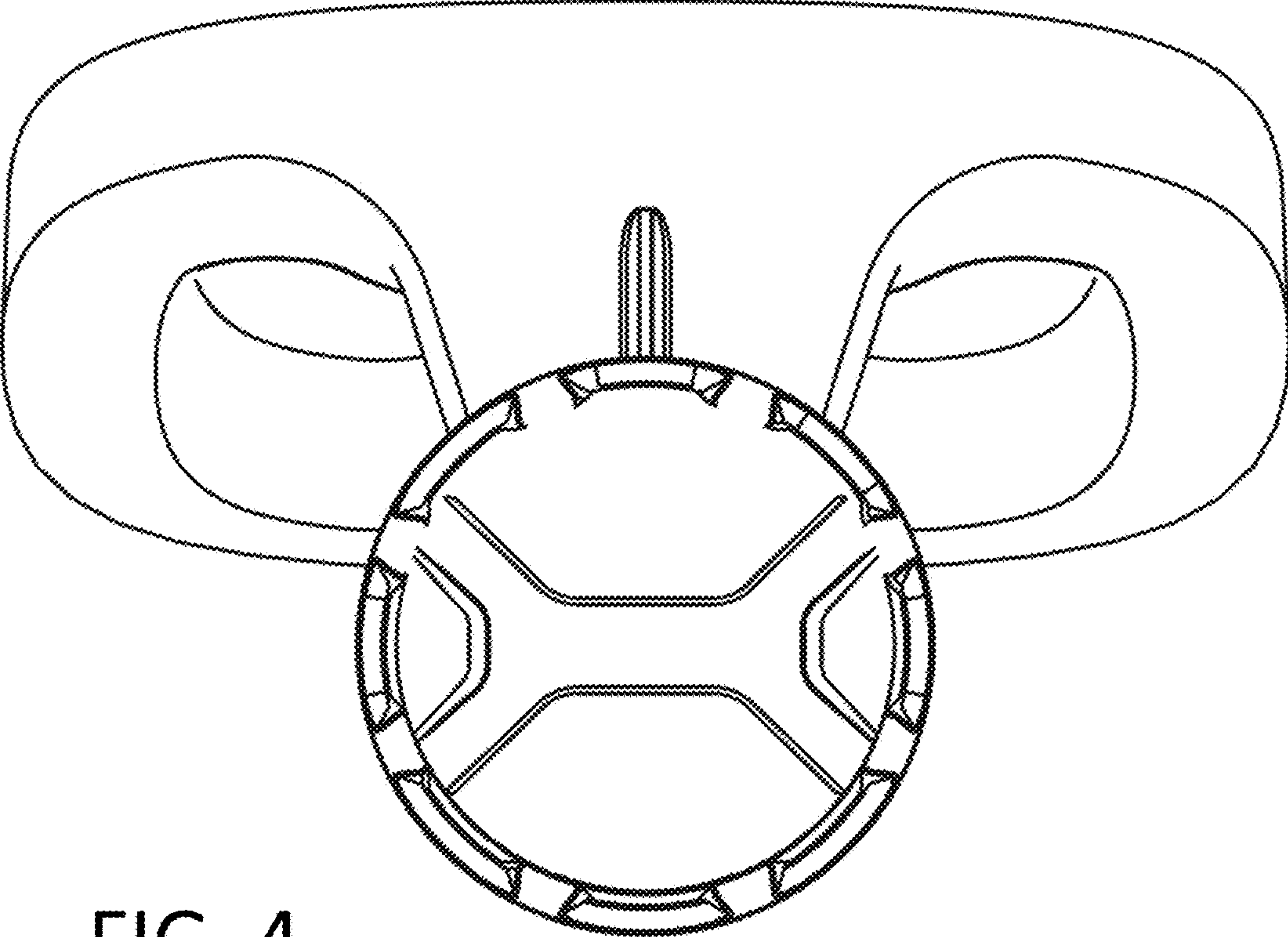


FIG. 4

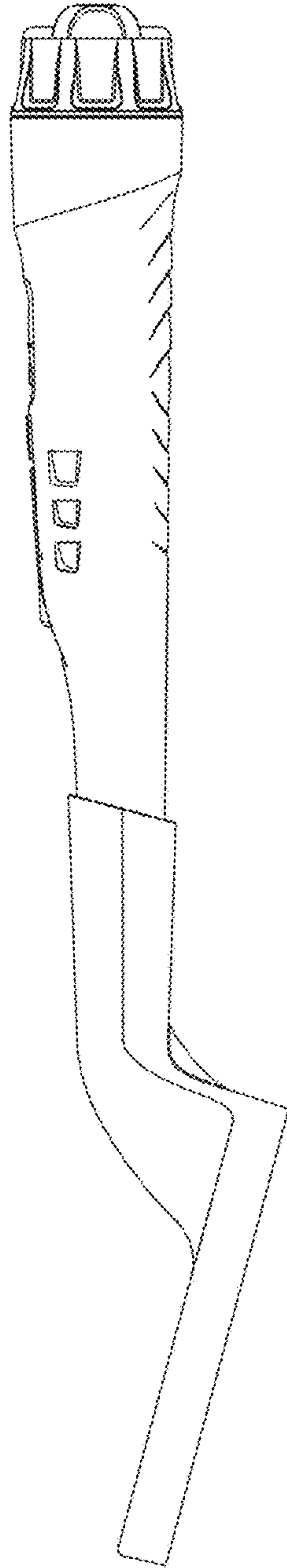


FIG. 5

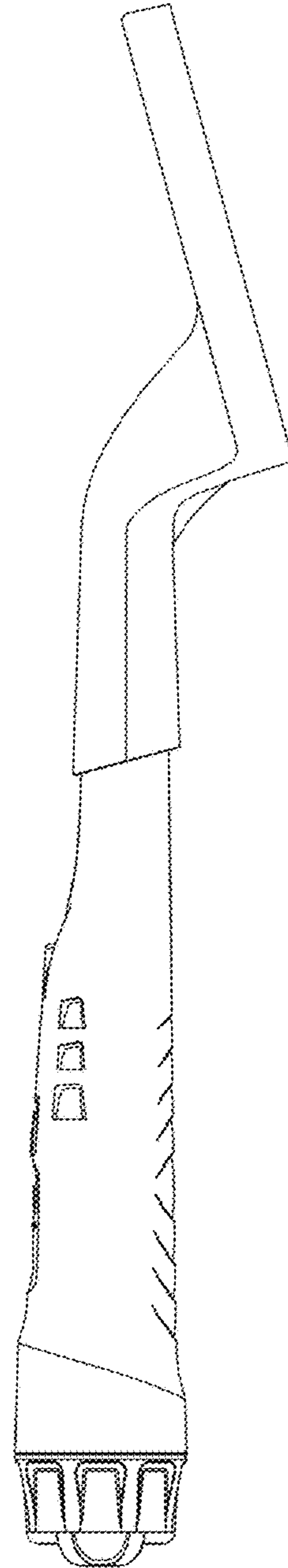


FIG. 6

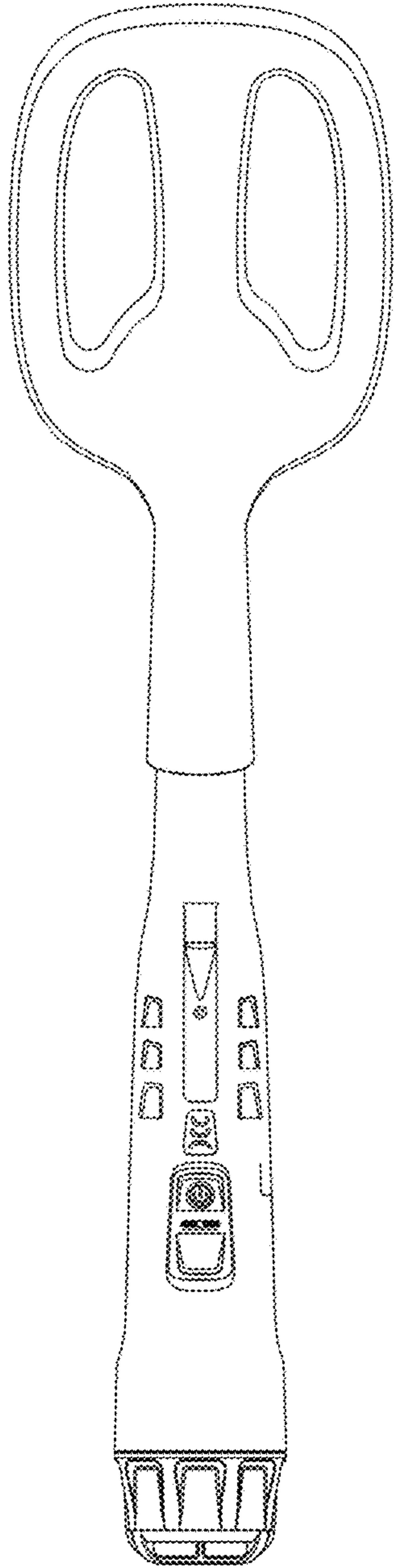


FIG. 7

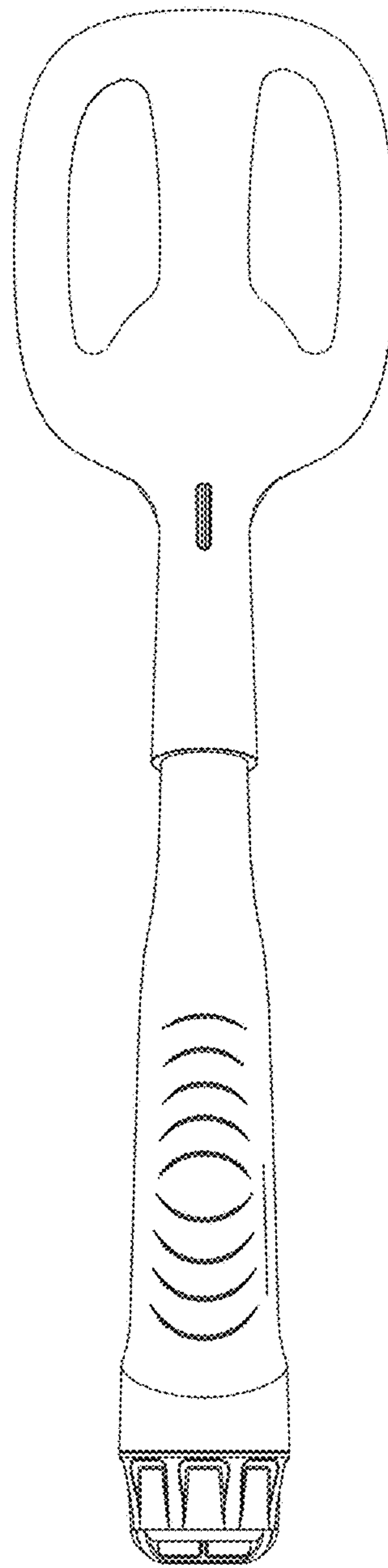


FIG. 8