



US00D842708S

(12) **United States Design Patent** (10) **Patent No.:** **US D842,708 S**  
**Bensason et al.** (45) **Date of Patent:** **\*\* Mar. 12, 2019**

(54) **COSMETICS CASE** 6,053,263 A \* 4/2000 Meiners ..... E21B 10/52  
175/331  
(71) Applicant: **Tomia Beauty Brands, LLC**, New York, NY (US) 6,168,024 B1 1/2001 Coates et al.  
D616,304 S \* 5/2010 Prunier ..... D9/504  
D695,618 S \* 12/2013 Jeong ..... D9/454  
D699,111 S \* 2/2014 Jeong ..... D9/504  
(72) Inventors: **Jack Bensason**, New York, NY (US);  
**Jennifer Kapahi**, New York, NY (US) 2004/0071491 A1 4/2004 Hetzel  
2004/0175223 A1 9/2004 Berry  
2005/0053411 A1 3/2005 Maldonado et al.  
2005/0129450 A1 6/2005 Avalle  
2007/0031176 A1 2/2007 Gieux  
(73) Assignee: **Tomia Beauty Brands, LLC**, New York, NY (US)  
(Continued)

(\*\*) Term: **15 Years**

(21) Appl. No.: **29/607,045**

(22) Filed: **Jun. 9, 2017**

(51) **LOC (11) Cl.** ..... **09-03**

(52) **U.S. Cl.**  
USPC ..... **D9/726**

(58) **Field of Classification Search**  
USPC ..... D9/442, 695-699, 702-714, 723-729;  
D28/82, 88; 132/317, 318, 320; 222/95,  
222/207, 212, 335  
CPC ..... A45D 34/00; A45D 40/00; B65D 81/3272  
See application file for complete search history.

(56) **References Cited**

**U.S. PATENT DOCUMENTS**

1,500,426 A 7/1924 Townsend  
2,409,000 A 10/1946 Rubenstein  
D218,399 S \* 8/1970 Campbell ..... D9/504  
3,712,749 A 1/1973 Roberts  
D243,886 S 3/1977 Rho  
4,230,655 A 10/1980 Krüchel et al.  
D260,559 S 9/1981 Scalice  
4,624,273 A 11/1986 Carr  
4,714,085 A 12/1987 Von Kleinsorgen  
D371,146 S \* 6/1996 Fischer ..... D15/139  
5,529,615 A 6/1996 Rendino et al.  
5,590,971 A 1/1997 Melnick  
D408,285 S \* 4/1999 Favre ..... D28/76  
D411,649 S \* 6/1999 Bakic ..... D28/82  
5,957,604 A 9/1999 Anderson

**OTHER PUBLICATIONS**

Office Action for U.S. Appl. No. 29/494,980, dated Oct. 6, 2015.

*Primary Examiner* — Derrick E Holland  
*Assistant Examiner* — Janice Patyk  
(74) *Attorney, Agent, or Firm* — Pearl Cohen Zedek  
Latzer Baratz LLP

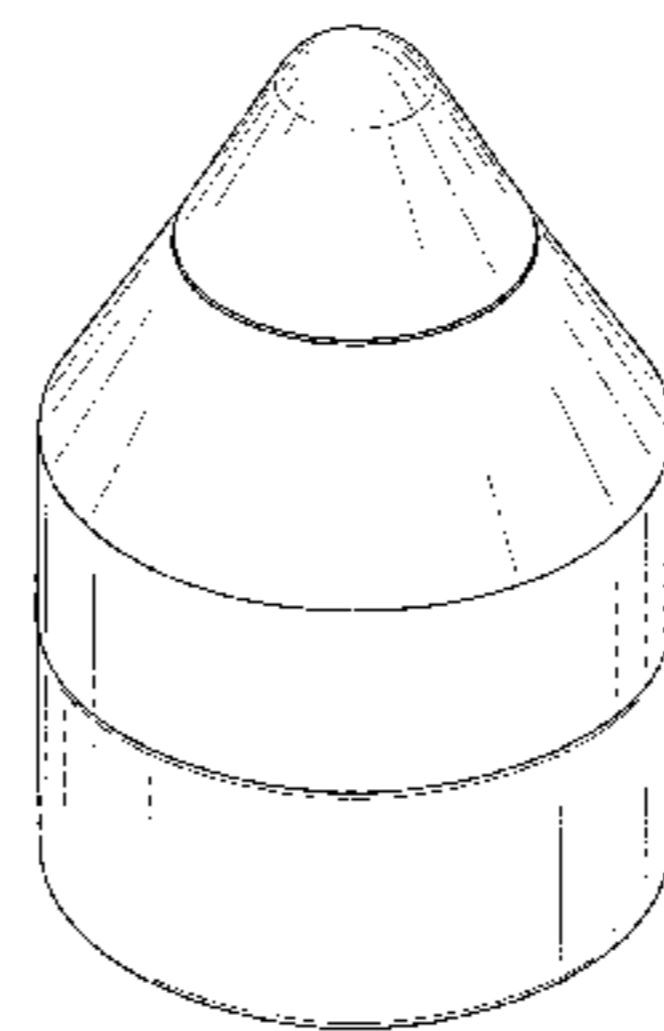
(57) **CLAIM**

The ornamental design for a cosmetics case, as shown and described.

**DESCRIPTION**

FIG. 1 is a top, front, right side perspective view of a cosmetics case, showing our new design;  
FIG. 2 is a front plan view thereof;  
FIG. 3 is a rear plan view thereof;  
FIG. 4 is a right side view thereof;  
FIG. 5 is a left side view thereof;  
FIG. 6 is a top plan view thereof;  
FIG. 7 is a bottom plan view thereof; and,  
FIG. 8 is exploded top, front, right side perspective view thereof.  
The broken lines that appear on the drawings illustrate portions of the design that form no part of the claimed design.

**1 Claim, 5 Drawing Sheets**



(56)

**References Cited**

U.S. PATENT DOCUMENTS

2012/0045267 A1 2/2012 Bauer et al.  
2015/0164943 A1 6/2015 Chen et al.

\* cited by examiner

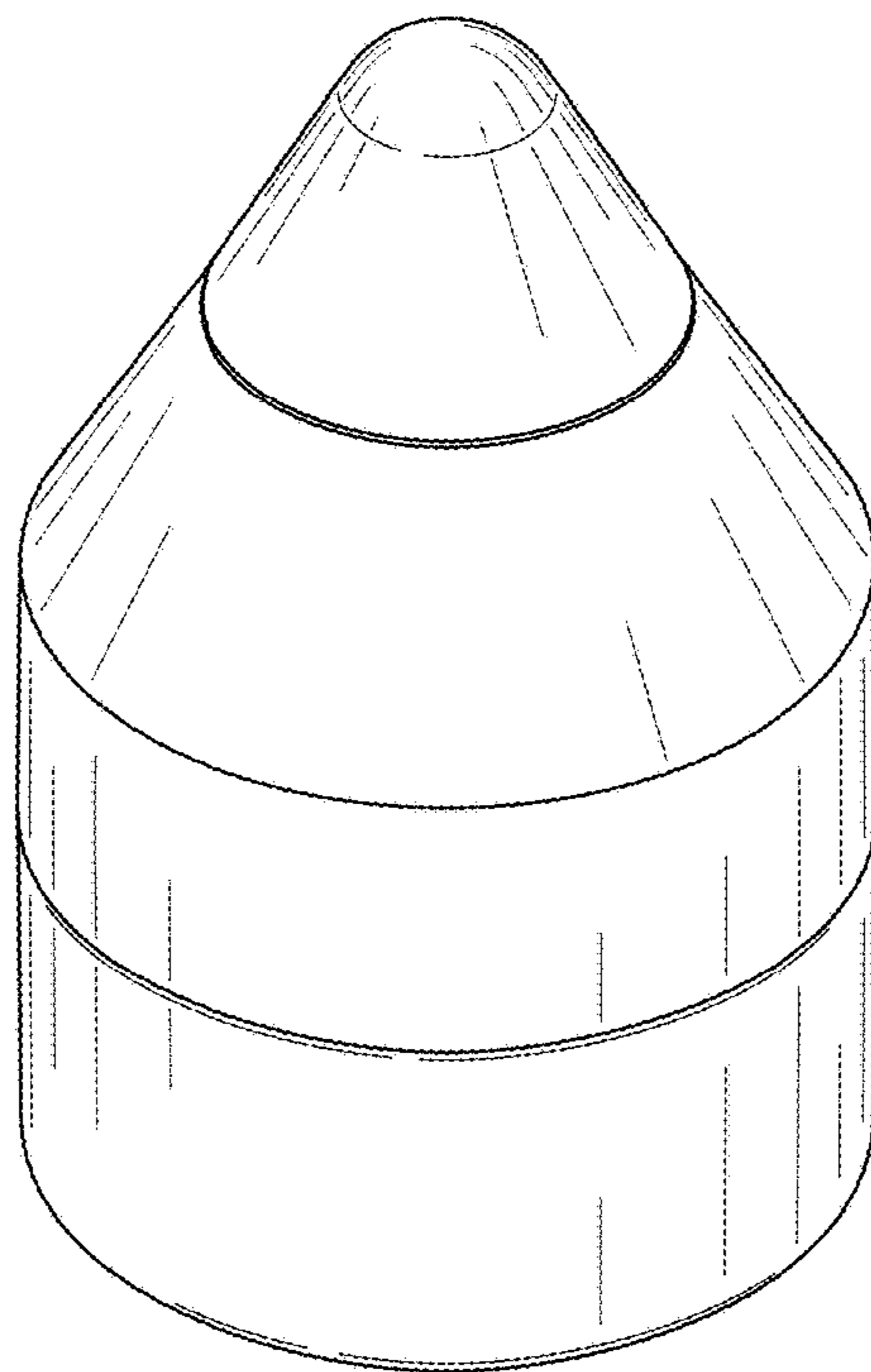


FIG. 1

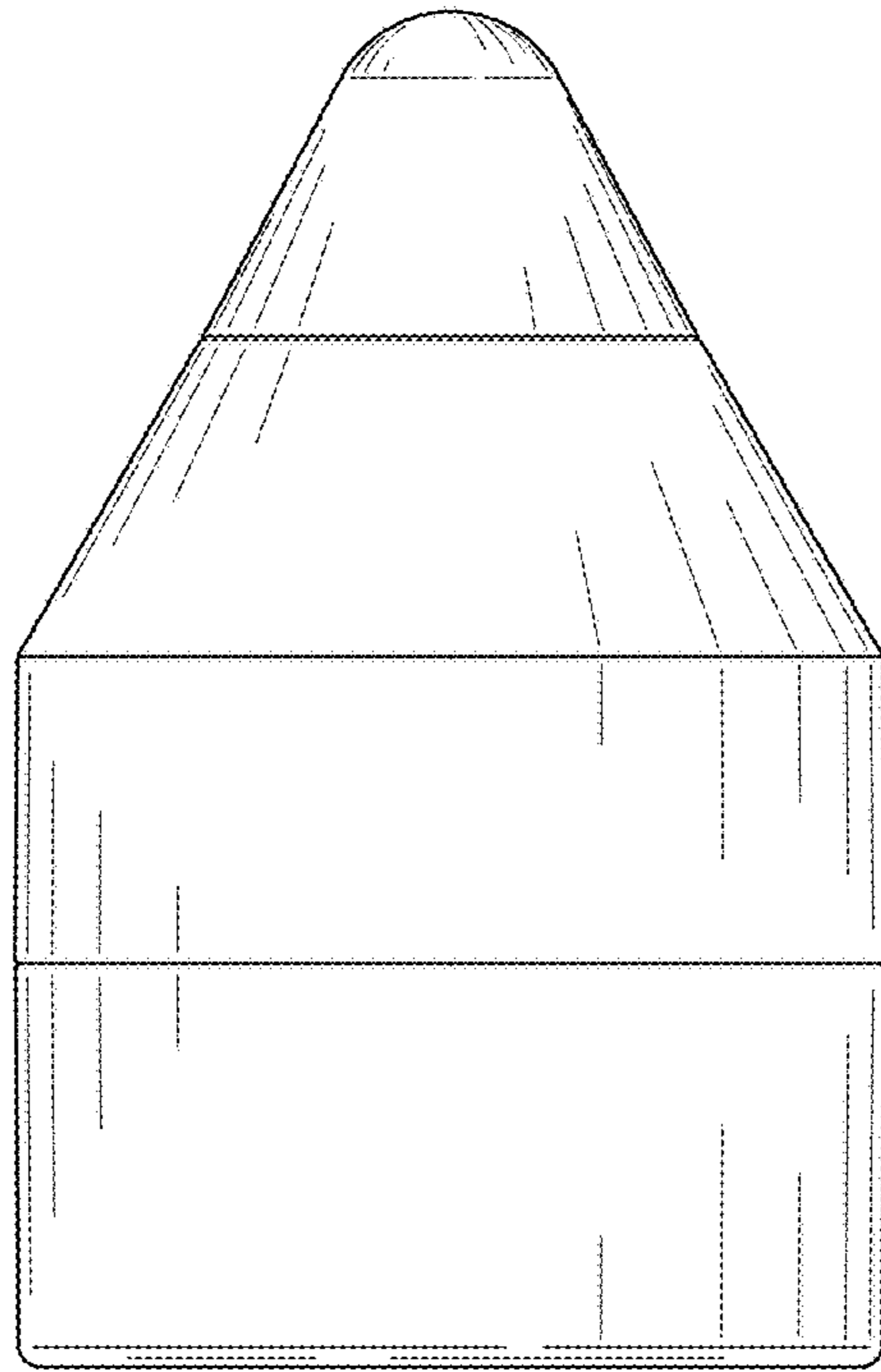


FIG. 2

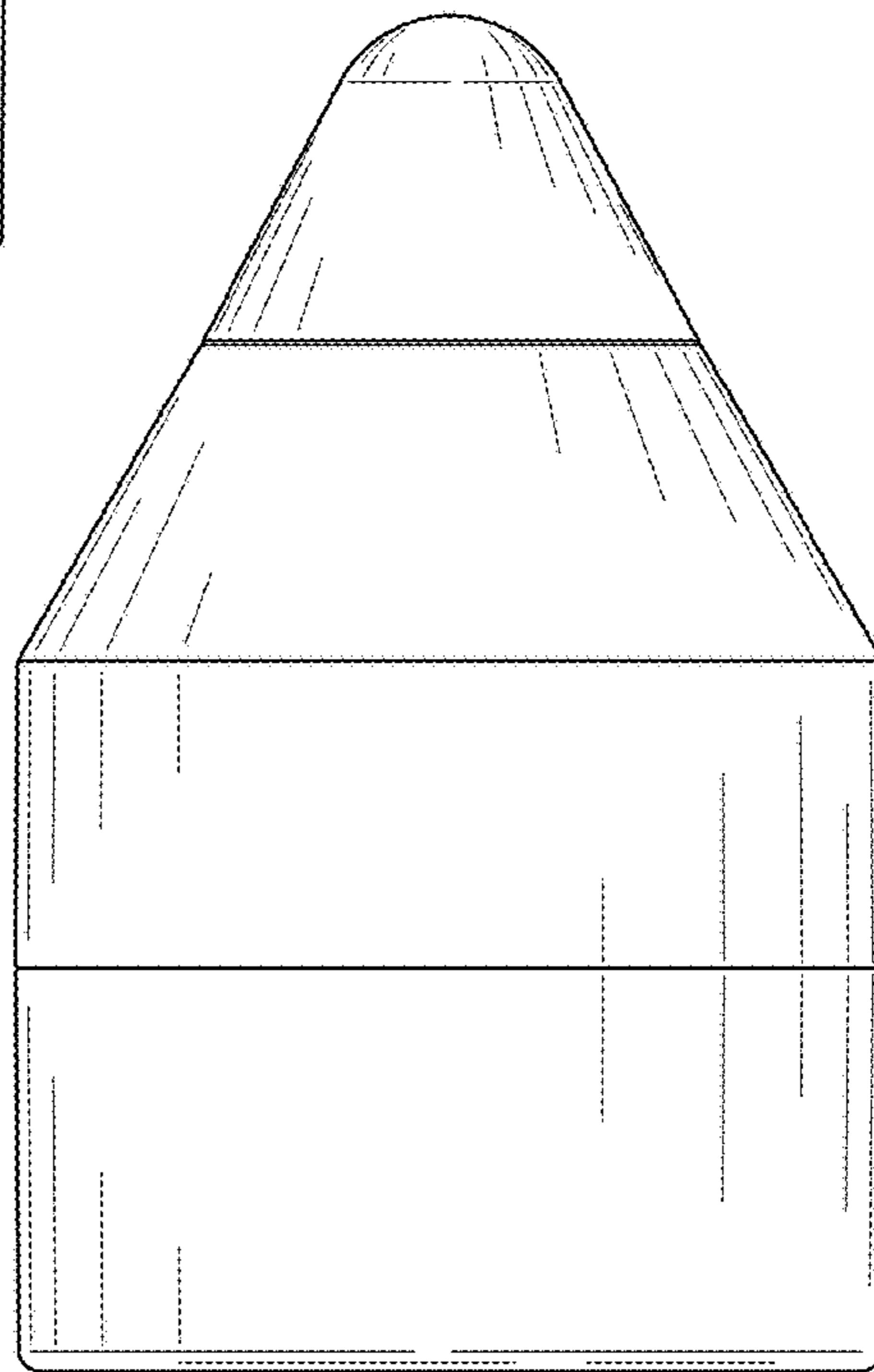


FIG. 3

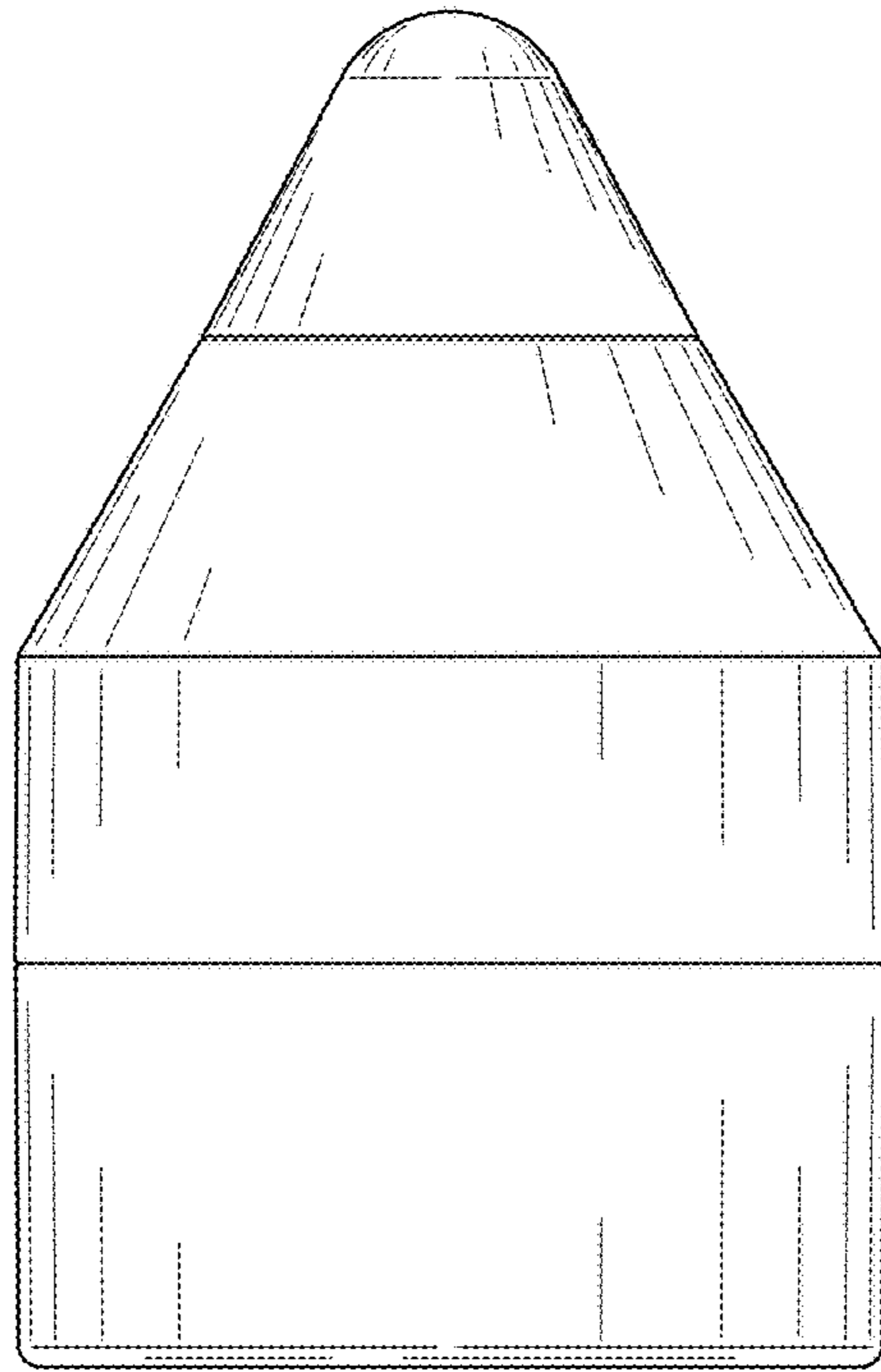


FIG. 4

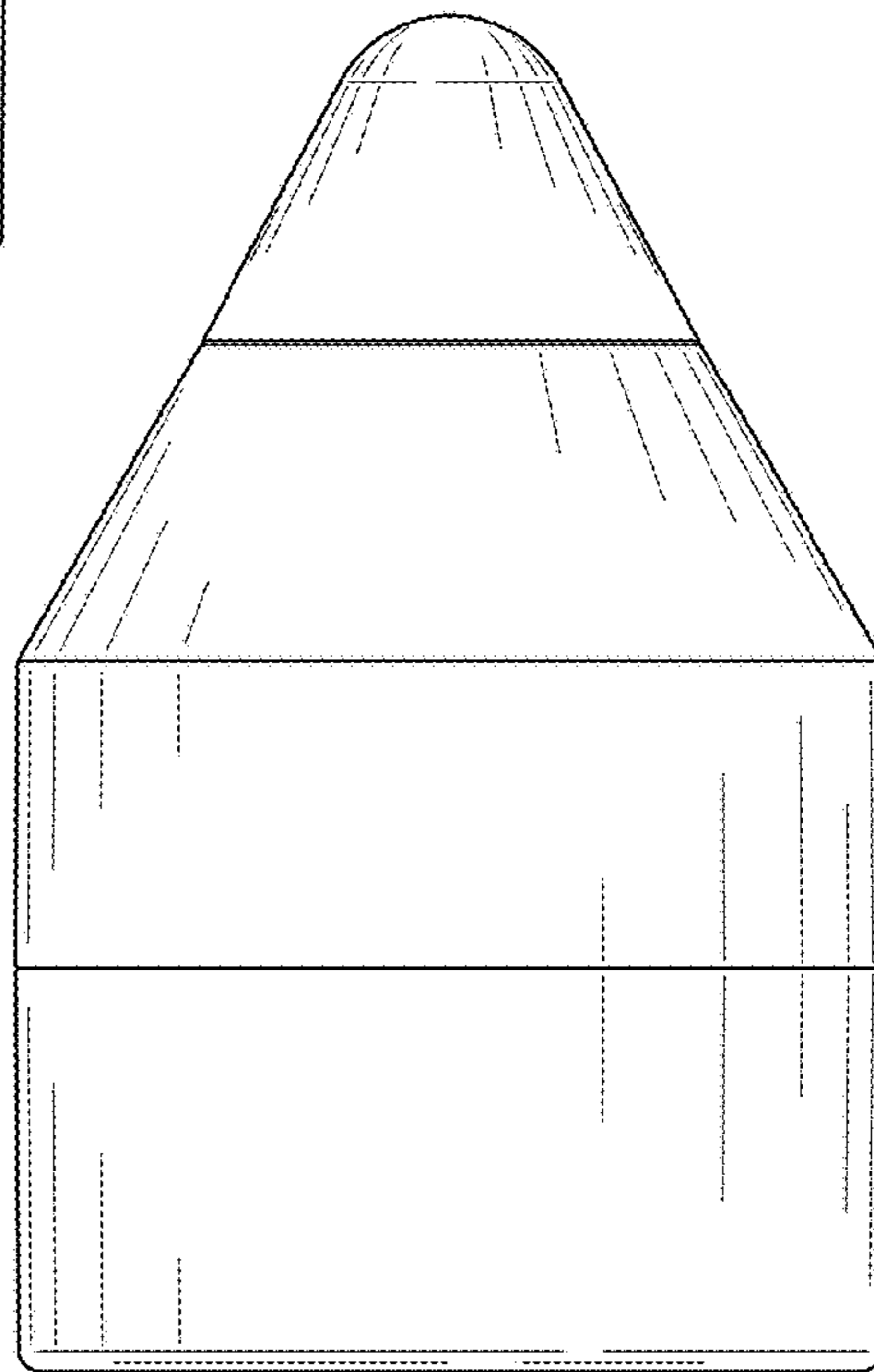


FIG. 5

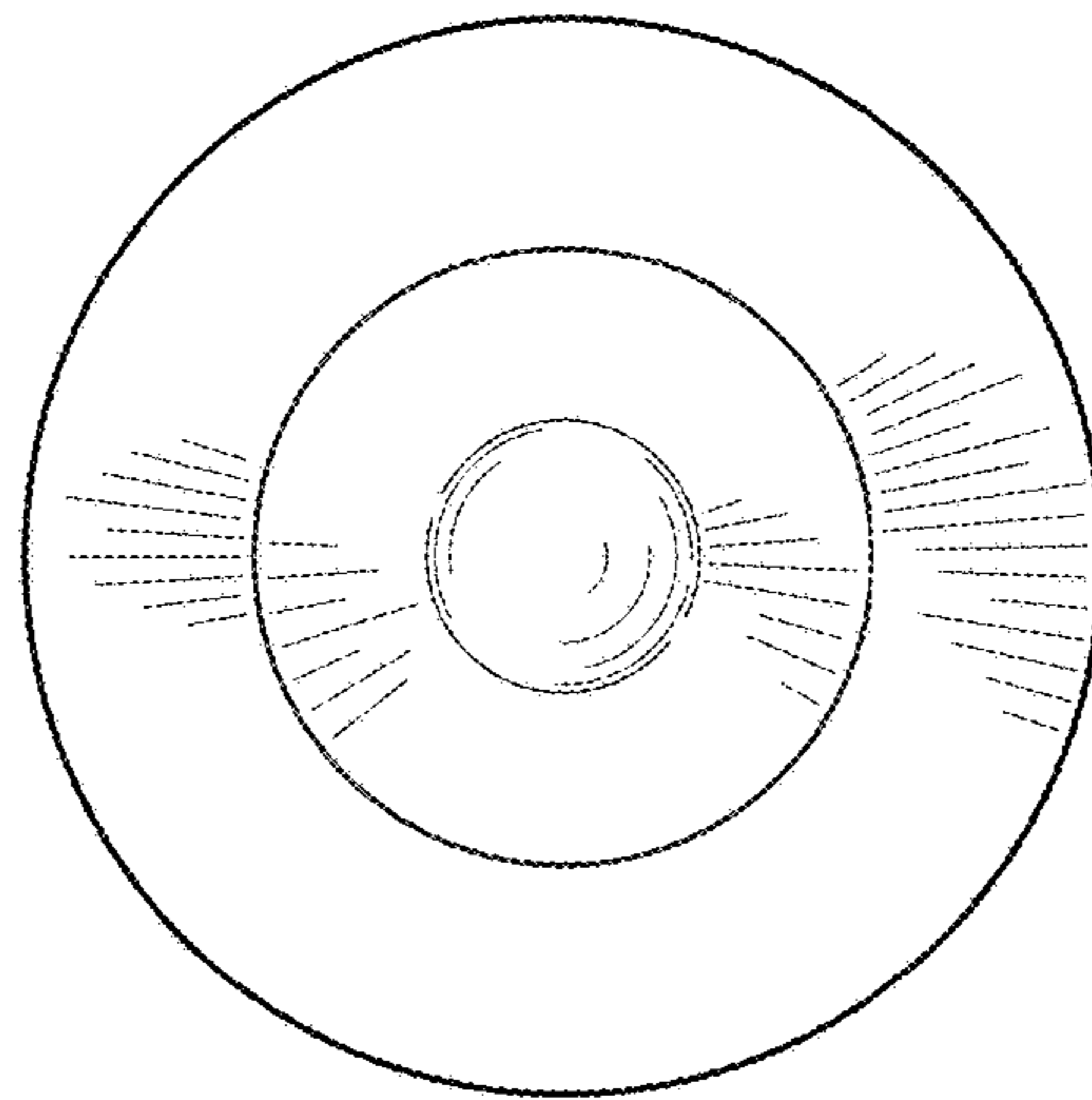


FIG. 6

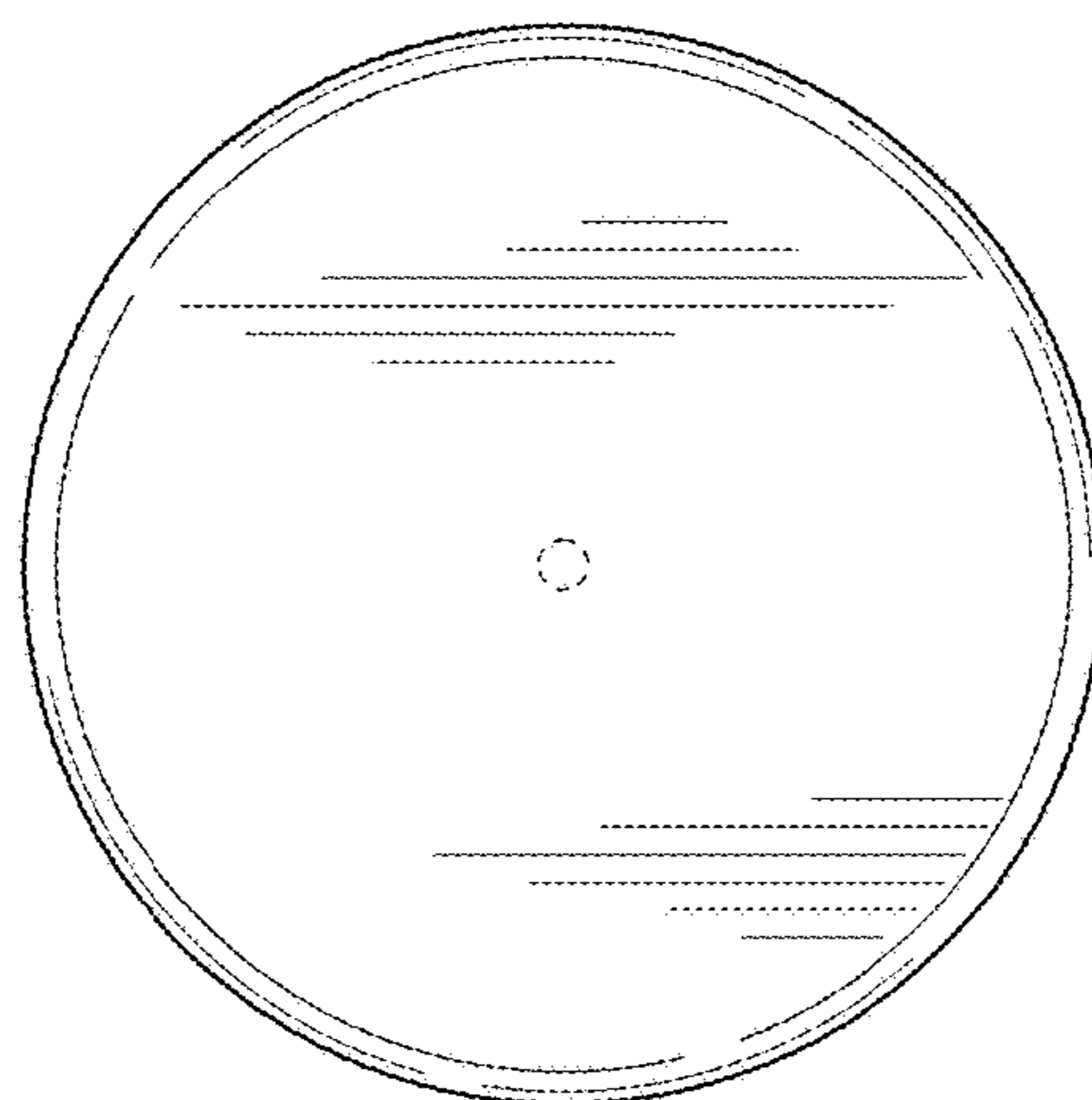


FIG. 7

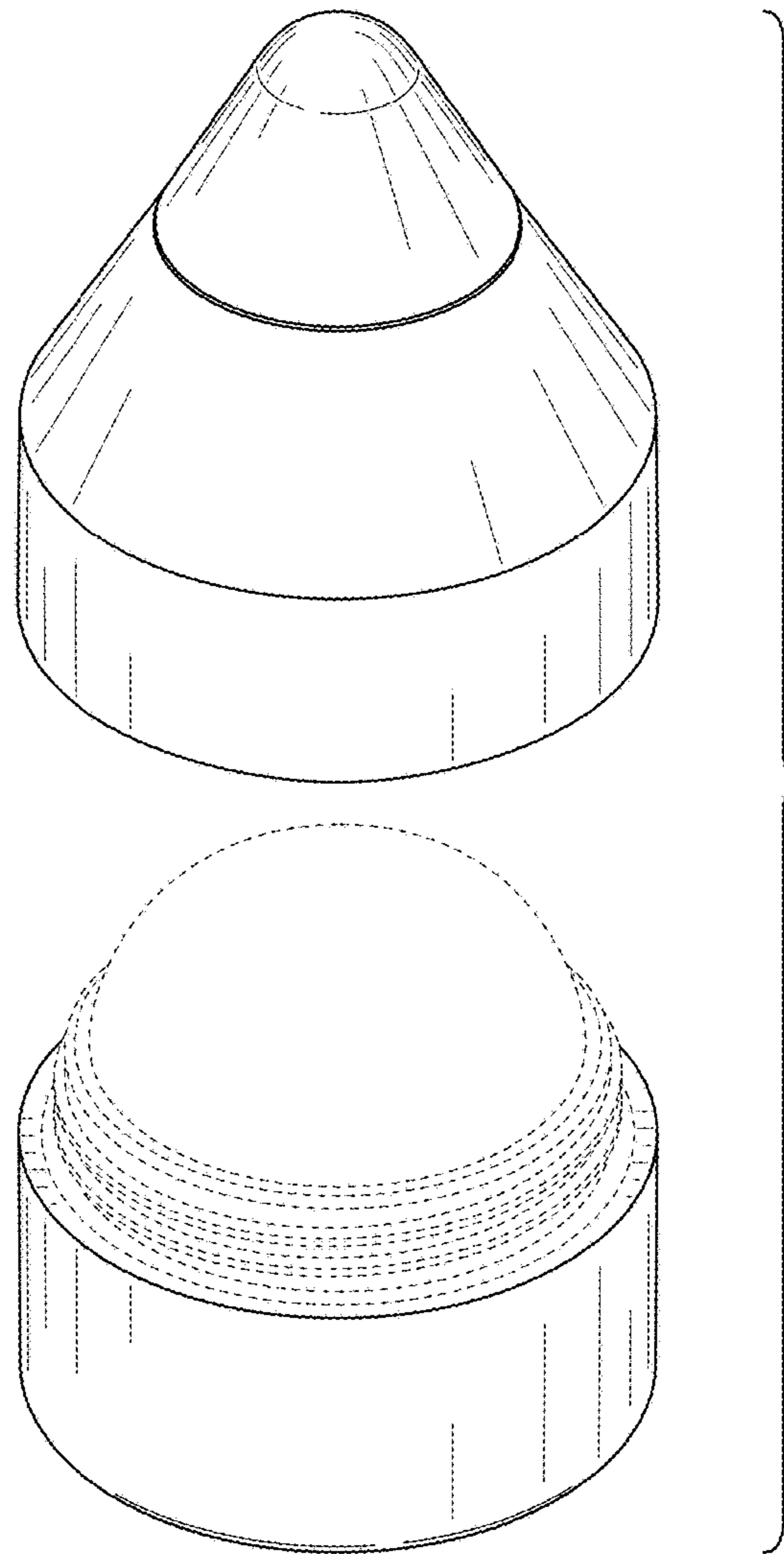


FIG. 8