



US00D842702S

(12) **United States Design Patent**
Berger et al.

(10) **Patent No.: US D842,702 S**
(45) **Date of Patent: ** Mar. 12, 2019**

(54) **LIQUID CONTAINER**

FOREIGN PATENT DOCUMENTS

(71) Applicant: **OMS INVESTMENTS, INC.**, Los Angeles, CA (US)

DE 3121591 A1 3/1982
DE 8904057 U1 9/1989

(Continued)

(72) Inventors: **Ryan Robert Berger**, Columbus, OH (US); **Richard Foster**, Powell, OH (US); **Timothy Michael Martin**, Westerville, OH (US); **Sara Ann Gordon**, Powell, OH (US); **George William Hill, III**, Powell, OH (US); **Jay F. Perkins**, Pickerington, OH (US)

OTHER PUBLICATIONS

Copenheaver, Blaine; International Search Report and Written Opinion of the International Searching Authority, issued in International Application No. PCT/US06/26119; dated Jan. 5, 2007; 6 pages.

(Continued)

(73) Assignee: **OMS INVESTMENTS, INC.**, Los Angeles, CA (US)

Primary Examiner — Dana Meyrow

(74) *Attorney, Agent, or Firm* — Ulmer & Berne LLP

(**) Term: **15 Years**

(21) Appl. No.: **29/646,000**

(57) **CLAIM**

(22) Filed: **May 1, 2018**

The ornamental design for a liquid container, as shown and described.

Related U.S. Application Data

DESCRIPTION

(60) Division of application No. 29/579,366, filed on Sep. 29, 2016, now Pat. No. Des. 818,827, which is a (Continued)

(51) **LOC (11) Cl.** **09-01**

(52) **U.S. Cl.**
USPC **D9/516**; D9/543; D9/563; D9/571;
D9/575

(58) **Field of Classification Search**
USPC D9/516, 520, 523, 528, 530, 540–543,
D9/549–550, 563–564, 569, 570–571,
(Continued)

FIG. 1 is a top, front, left side perspective view of an embodiment of a liquid container showing our new design; FIG. 2 is a front elevation view thereof; FIG. 3 is a rear elevation view thereof; FIG. 4 is a left side elevation view thereof; FIG. 5 is a right side elevation view thereof; FIG. 6 is a top plan view thereof; FIG. 7 is a bottom plan view thereof; FIG. 8 is a top, rear, right side perspective view thereof; and, FIG. 9 is a bottom, front, left side perspective view thereof. The evenly-dashed broken lines in the drawings illustrate the portions of the liquid container that form no part of the claim. The dot-dash broken lines in the drawings define the bounds of the claim and form no part thereof.

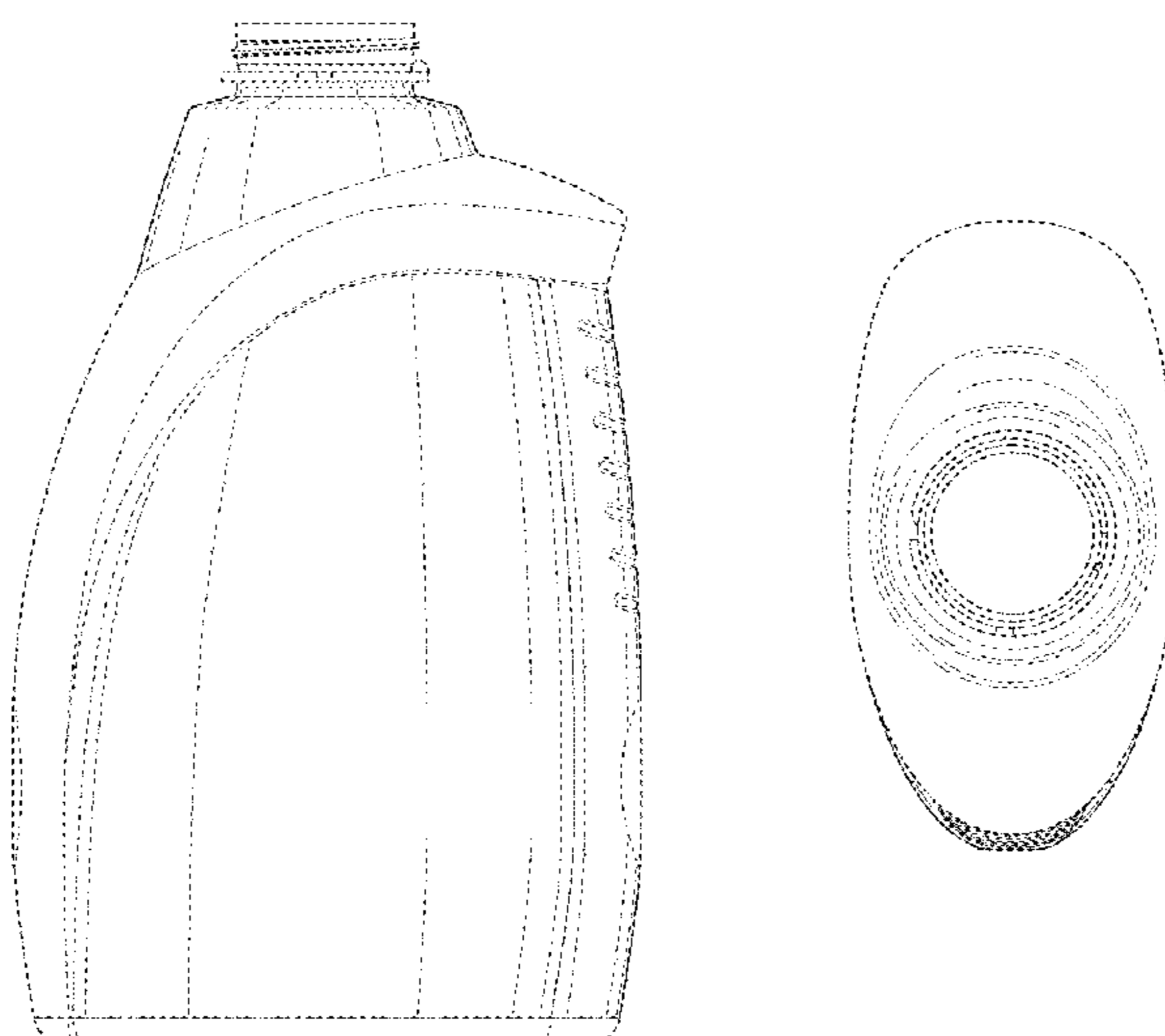
(56) **References Cited**

U.S. PATENT DOCUMENTS

1,544,503 A 6/1925 Thomson
D103,287 S 2/1937 Reynolds

(Continued)

1 Claim, 9 Drawing Sheets



Related U.S. Application Data

continuation of application No. 29/537,264, filed on Aug. 24, 2015, now Pat. No. Des. 770,903, which is a continuation of application No. 29/449,014, filed on Mar. 14, 2013, now Pat. No. Des. 761,116.

(58) **Field of Classification Search**

USPC D9/575, 682, 685, 715, 719; D23/211.1, D23/211.2, 225; 215/379, 381-384; 220/660, 669, 675
CPC B65D 1/00; B65D 1/02; B65D 1/0223; B65D 23/00; B65D 81/00; B65D 83/00; B65D 91/00; B65D 91/02; B65D 2501/00; B65D 2501/0009; B65D 2501/0081

See application file for complete search history.

(56) **References Cited**

U.S. PATENT DOCUMENTS

D103,520 S	3/1937	Smith	
2,673,664 A	3/1954	Boysen	
D201,214 S	5/1965	St. Clair	
3,185,358 A	5/1965	Marler	
3,233,783 A	2/1966	Thornton	
D209,474 S	12/1967	Stern	
D211,002 S	5/1968	Vanderhyde	
3,401,840 A	9/1968	McConnell et al.	
3,655,099 A	4/1972	Hazard	
D244,991 S	7/1977	Weckman et al.	
D250,393 S	11/1978	Shortino	
D256,431 S	8/1980	Campbell et al.	
D259,331 S	5/1981	Saenz	
D287,227 S	12/1986	Turnbull	
4,664,301 A	5/1987	Hoyt	
4,811,870 A	3/1989	Bianco	
D314,140 S	1/1991	Kornick et al.	
D314,141 S	1/1991	Kornick et al.	
D321,321 S	11/1991	Wilgus	
D328,422 S	8/1992	Fuchs et al.	
5,203,468 A	4/1993	Hsu	
5,203,486 A	4/1993	Bihler et al.	
5,205,424 A	4/1993	Gaspar	
D342,451 S	12/1993	Warner et al.	
5,277,343 A	1/1994	Parsonage	
D347,790 S	6/1994	Lathrop et al.	
D388,330 S	12/1997	Zimmer	
5,890,628 A	4/1999	Simpson et al.	
D415,687 S	10/1999	Lai et al.	
5,996,858 A	12/1999	Tapp et al.	
D419,455 S	1/2000	Macauley et al.	
D430,801 S	9/2000	Harrity et al.	
6,279,773 B1	8/2001	Kiyota	
D452,446 S	12/2001	Shear	
D462,011 S	8/2002	Walther et al.	
D466,815 S	12/2002	Sweeton	
D470,416 S	2/2003	Blair et al.	
D470,418 S	2/2003	Zaksenberg et al.	
D470,775 S	2/2003	Zaksenberg et al.	
D480,005 S	9/2003	Conway	
D481,637 S	11/2003	Desouza	
D482,285 S	11/2003	Desouza	
D485,187 S	1/2004	Stinedurf	
D487,873 S	3/2004	Desouza	
D508,206 S	8/2005	Meeker et al.	
D508,407 S	8/2005	Busch et al.	
D510,869 S	10/2005	Gross et al.	
D539,151 S *	3/2007	Brauner D9/528	
D539,152 S *	3/2007	Brauner D9/528	
D547,198 S	7/2007	Eaton et al.	

D555,481 S	11/2007	Tseng	
D557,608 S	12/2007	Feen et al.	
D565,424 S	4/2008	Moriya	
D568,748 S	5/2008	Harrison et al.	
D572,138 S	7/2008	Prater et al.	
D576,885 S	9/2008	Briozzo Fernandez et al.	
D587,585 S	3/2009	Snyder	
D589,349 S	3/2009	Prater et al.	
D593,863 S	6/2009	Fahy et al.	
D594,338 S	6/2009	Harrison et al.	
D596,947 S *	7/2009	Mengeu D9/543	
D600,564 S	9/2009	da Barp	
D601,907 S	10/2009	Gainey et al.	
D604,618 S	11/2009	King	
D605,520 S	12/2009	Billig et al.	
D606,411 S	12/2009	Mongeon et al.	
D617,206 S	6/2010	Shaw et al.	
D618,554 S	6/2010	Bruscha et al.	
D619,465 S	7/2010	Synder	
D628,493 S	12/2010	Fontaine	
D633,807 S	3/2011	Fahy et al.	
D646,572 S	10/2011	Koeleman	
D660,710 S	5/2012	Kallenbach et al.	
D661,593 S	6/2012	Heidel et al.	
D662,420 S	6/2012	Frisch et al.	
D663,626 S	7/2012	Berger et al.	
D683,224 S	5/2013	Leslie et al.	
D684,061 S	6/2013	Leslie et al.	
D685,642 S	7/2013	Leslie et al.	
D691,053 S	10/2013	Garcia	
D696,128 S	12/2013	Lindsay et al.	
D714,648 S	10/2014	Kersten	
D740,673 S	10/2015	Corradini et al.	
D741,190 S *	10/2015	Rodriguez D9/550	
D748,483 S	2/2016	Snyder	
D753,496 S	4/2016	Dietvorst et al.	
D753,497 S	4/2016	Dietvorst et al.	
D753,498 S	4/2016	Dietvorst et al.	
D753,499 S	4/2016	Dietvorst et al.	
D761,116 S	7/2016	Berger et al.	
D770,903 S	11/2016	Berger et al.	
D792,778 S	7/2017	Duke	
D807,752 S *	1/2018	Koelsche D9/523	
D809,926 S *	2/2018	Jasso Gomez D9/523	
D818,827 S *	5/2018	Berger D9/516	
D824,772 S *	8/2018	Serrano D9/569	
2005/0184027 A1	8/2005	Floyd et al.	

FOREIGN PATENT DOCUMENTS

EP	0395380 A2	10/1990
EP	0591601 A1	4/1994
FR	966601	10/1950
FR	2513598	4/1983
FR	2574760 A1	6/1986
FR	2708569	2/1995
GB	677401	8/1952
GB	798158	7/1958
GB	1305055	1/1973
GB	1602199	11/1981
GB	2286109 A	8/1995

OTHER PUBLICATIONS

Augustin, Wolfgang; Extended European Search Report, including supplementary European search report and European search opinion, issued in European Patent Application No. 06774502; dated Jul. 23, 2009; 4 pages.
Preliminary French Search Report for French Application No. 19930009764; dated Apr. 7, 1994; of record in related U.S. Appl. No. 29/449,014.

* cited by examiner

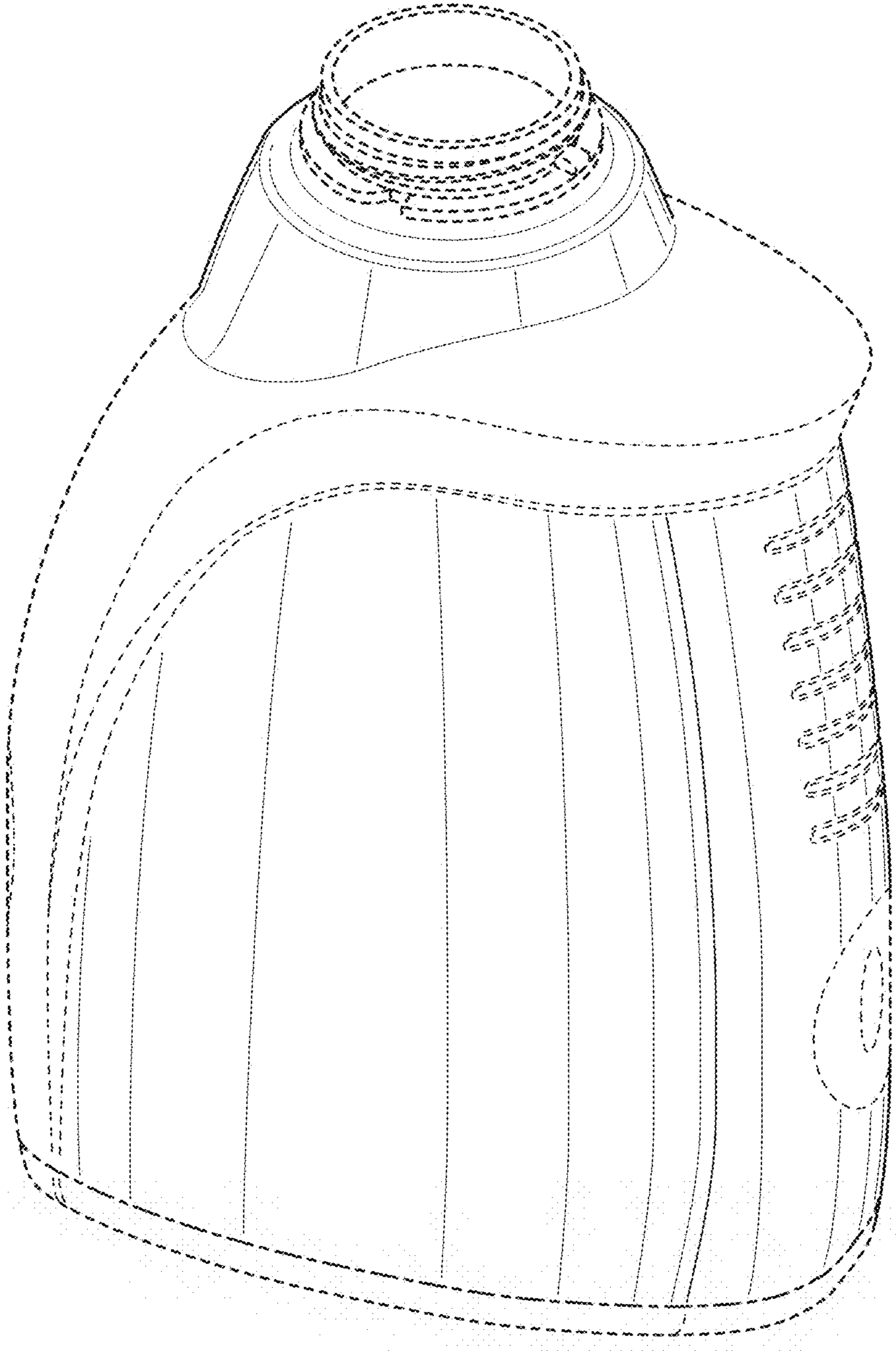


FIG. 1

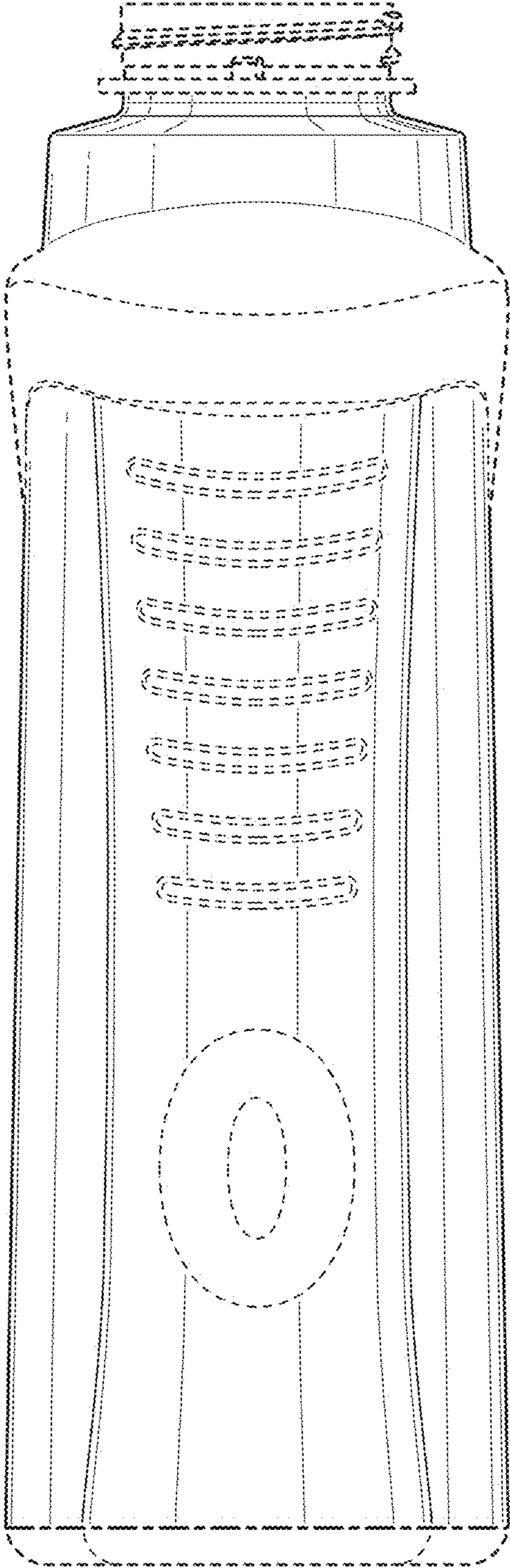


FIG. 2

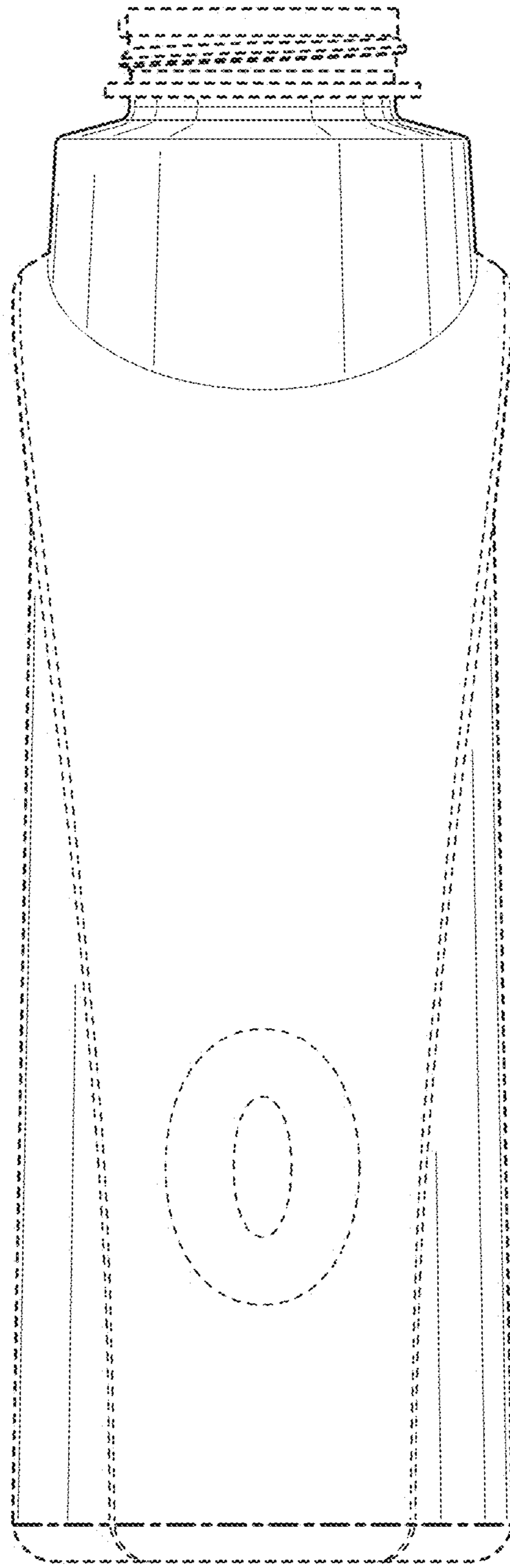


FIG. 3

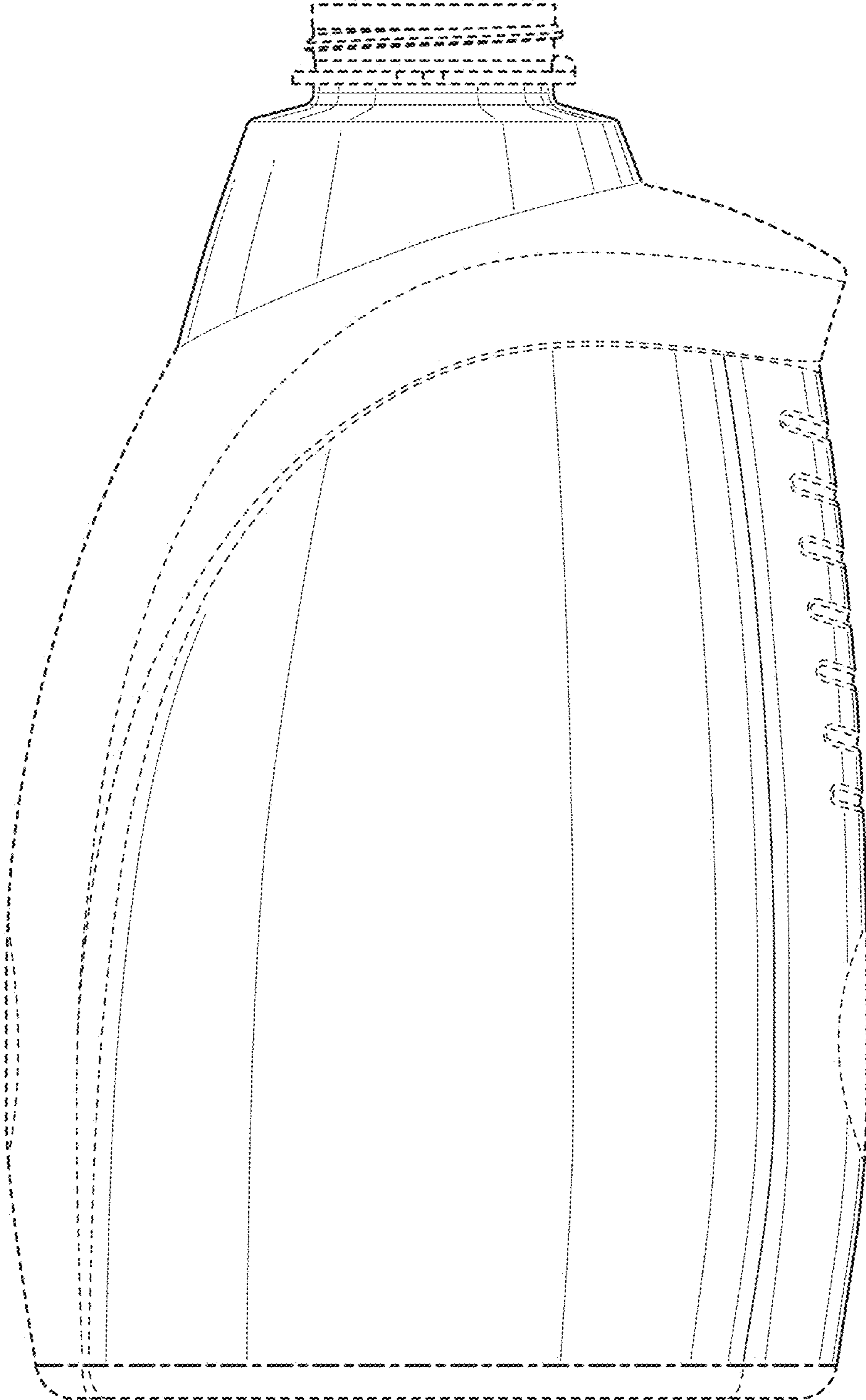


FIG. 4

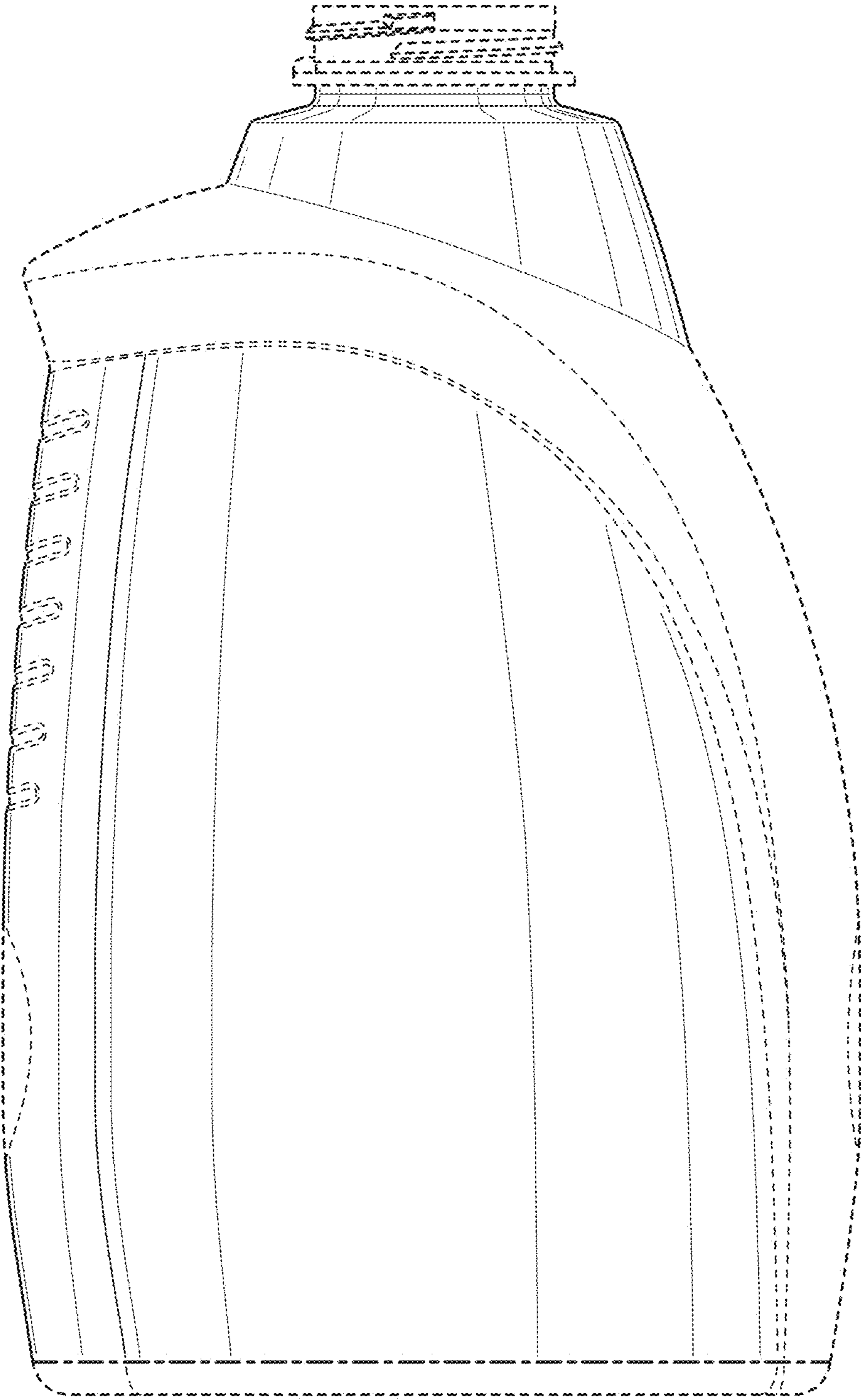


FIG. 5

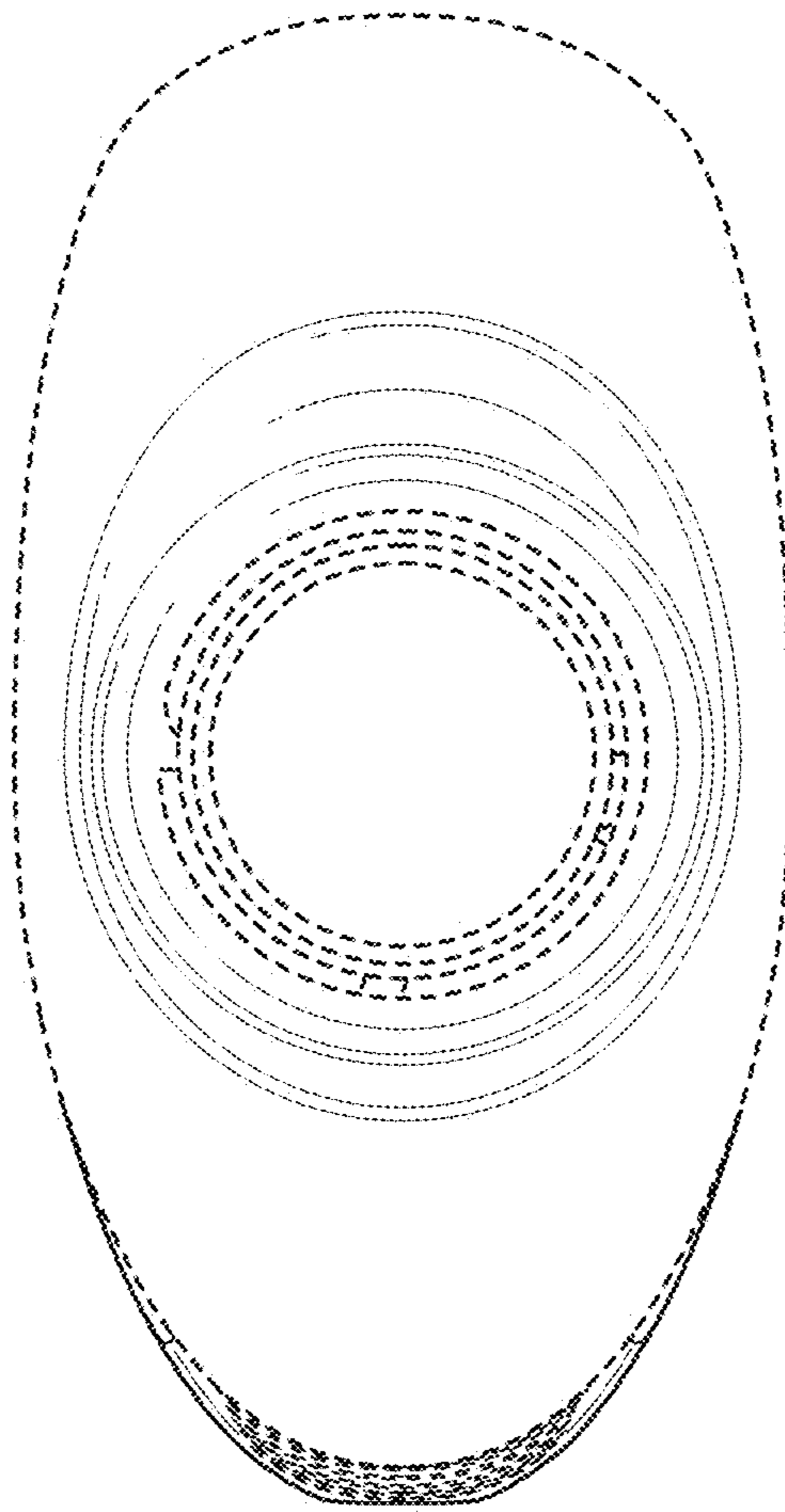


FIG. 6

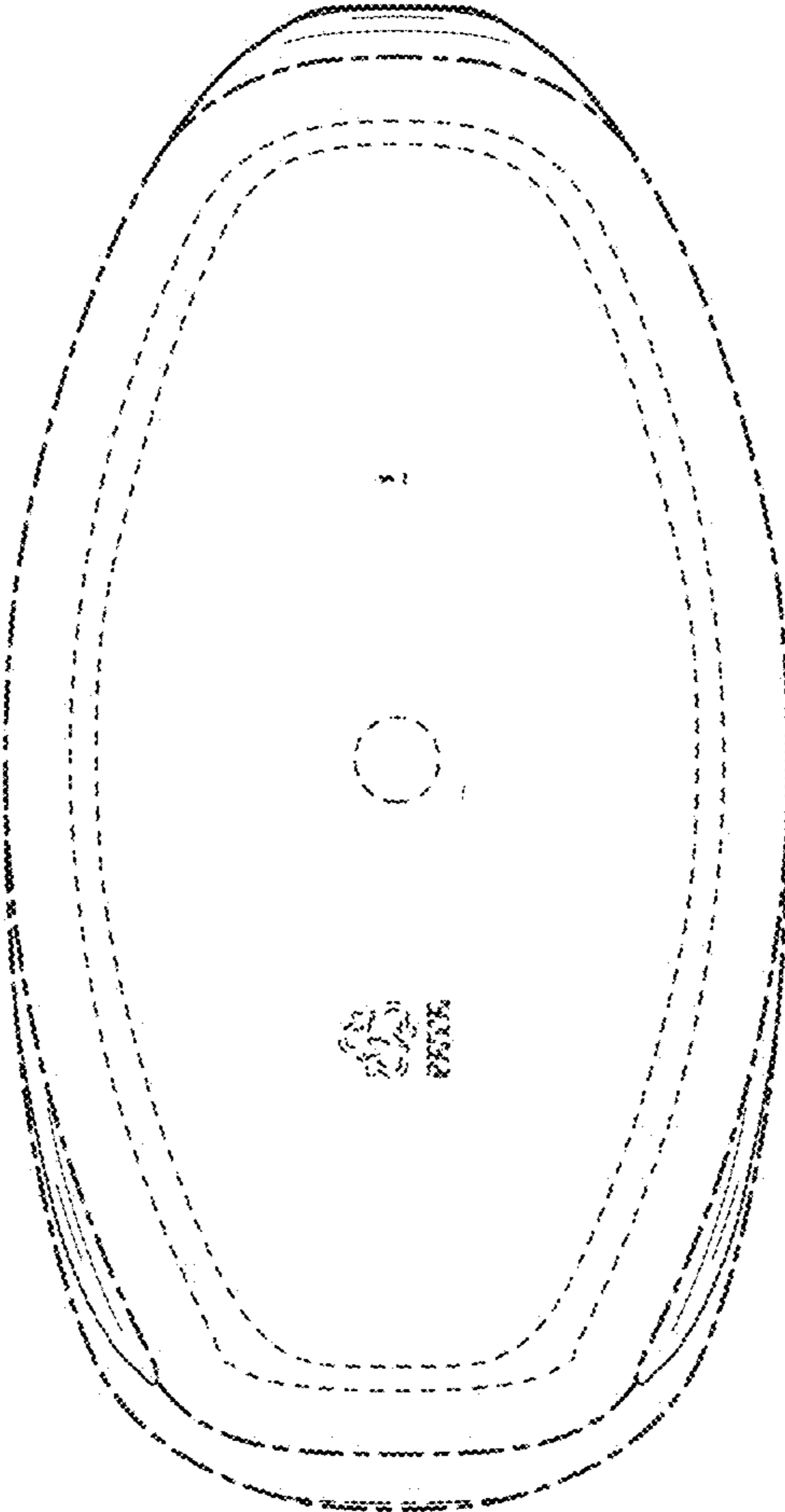


FIG. 7

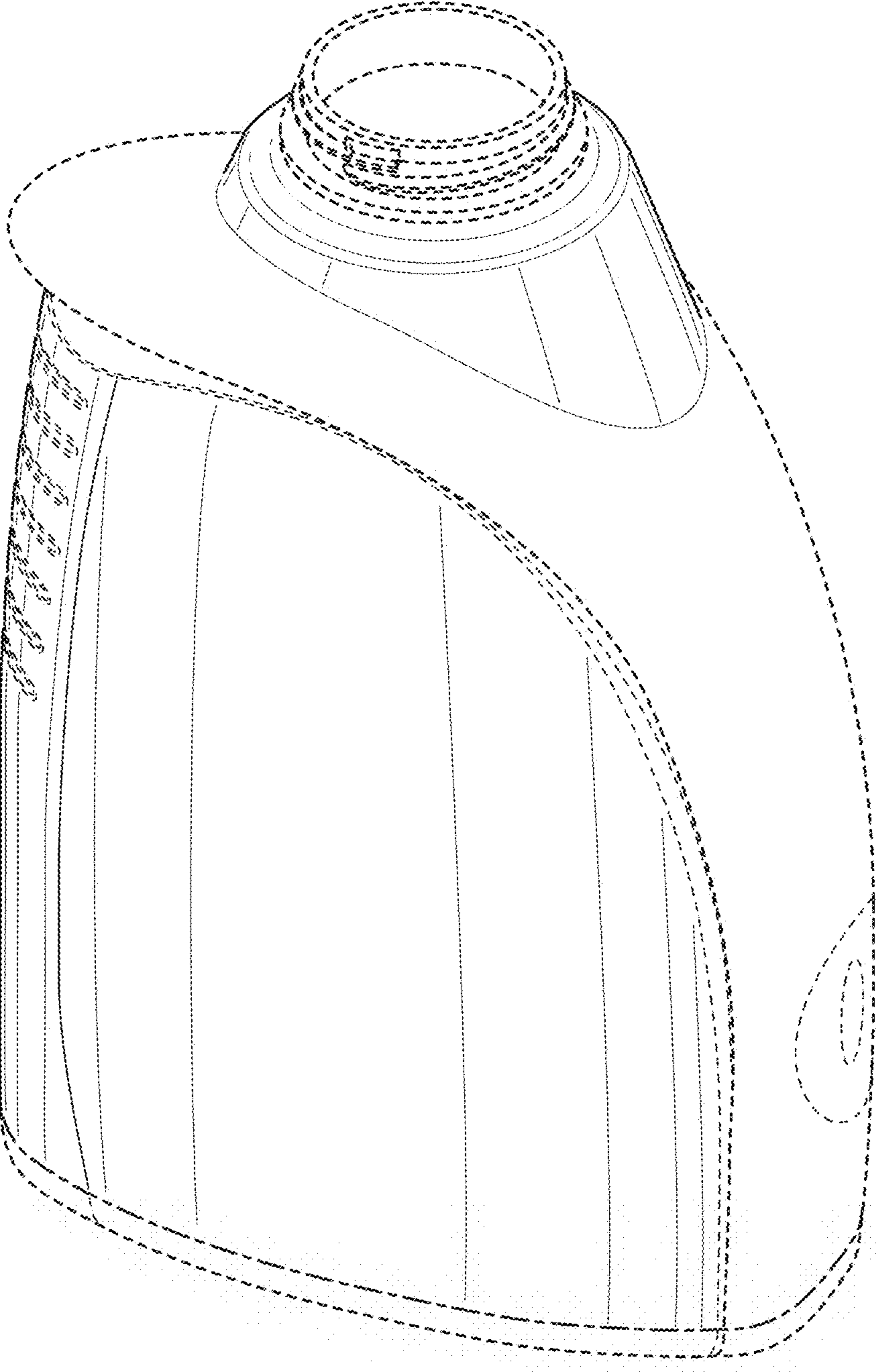


FIG. 8

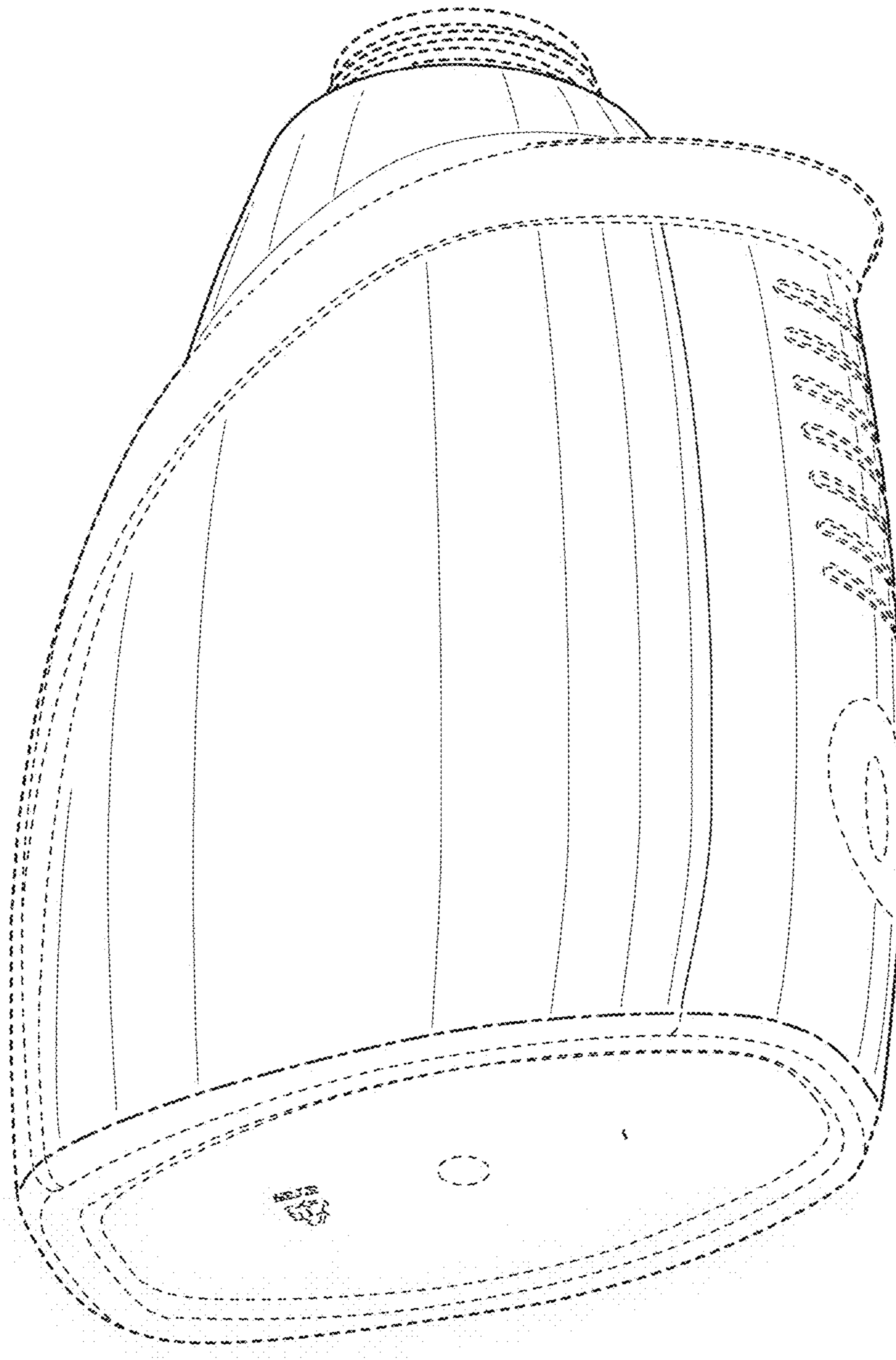


FIG. 9