



US00D842701S

(12) **United States Design Patent** (10) **Patent No.:** **US D842,701 S**
Suga et al. (45) **Date of Patent:** **** Mar. 12, 2019**

(54) **PREFORM FOR BOTTLES**
 (71) Applicant: **DAI NIPPON PRINTING CO., LTD.**,
Tokyo (JP)
 (72) Inventors: **Yusuke Suga**, Tokyo (JP); **Takuma Miyawaki**, Tokyo (JP)
 (73) Assignee: **DAI NIPPON PRINTING CO., LTD.**,
Tokyo (JP)

2006/0099363 A1* 5/2006 Farha B05D 3/0263
428/35.7
 2010/0189934 A1* 7/2010 Brandenburger A61J 1/05
428/34.1
 2010/0262114 A1* 10/2010 Brandenburger B29B 11/14
604/403

FOREIGN PATENT DOCUMENTS

JP 2006263948 A * 10/2006
 JP 2006-334854 A 12/2006

OTHER PUBLICATIONS

Oct. 28, 2016 Search Report issued in Japanese Patent Application No. 2016-016147.

* cited by examiner

Primary Examiner — Sheryl Lane
Assistant Examiner — Calvin E Vansant
 (74) *Attorney, Agent, or Firm* — Oliff PLC

(57) **CLAIM**

The ornamental design for a preform for a bottle, as shown and described.

DESCRIPTION

FIG. 1 is a front, bottom, left-side perspective view of the preform for a bottle;
 FIG. 2 is a front elevational view thereof;
 FIG. 3 is a rear elevational view thereof;
 FIG. 4 is a left-side elevational view thereof;
 FIG. 5 is a right-side elevational view thereof;
 FIG. 6 is a top plan view thereof;
 FIG. 7 is a bottom plan view thereof; and,
 FIG. 8 is a cross-sectional view thereof taken along line 8-8 in FIG. 2.
 The broken lines depict portions of the preform for bottles that form no part of the claim.

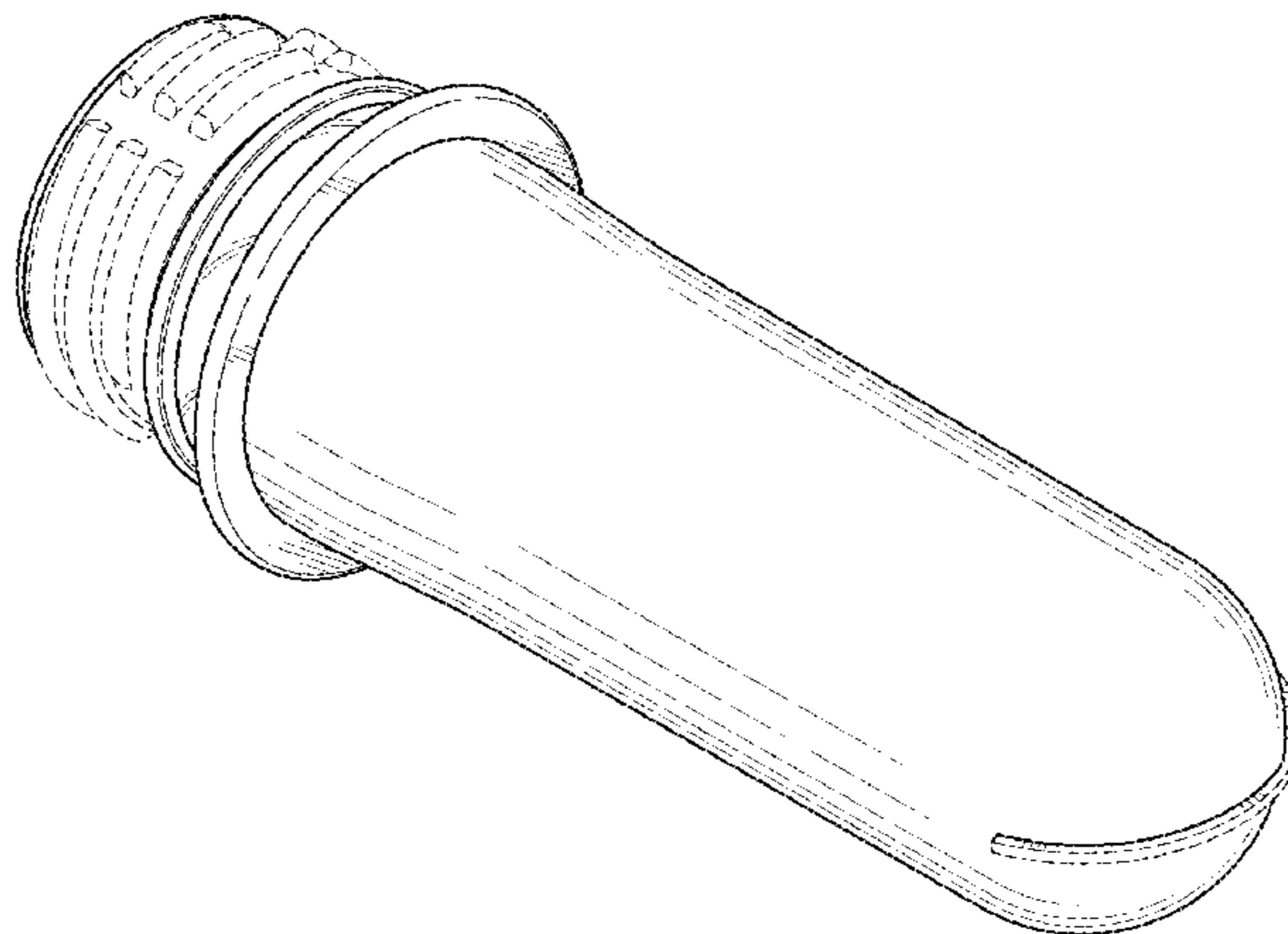
1 Claim, 5 Drawing Sheets

(**) Term: **15 Years**
 (21) Appl. No.: **29/592,399**
 (22) Filed: **Jan. 30, 2017**
 (30) **Foreign Application Priority Data**
 Jul. 28, 2016 (JP) 2016-016147
 (51) **LOC (11) Cl.** **09-03**
 (52) **U.S. Cl.**
USPC **D9/500; D9/521**
 (58) **Field of Classification Search**
USPC D9/499, 500, 516, 521, 740
CPC B29B 11/08; B29C 43/203
See application file for complete search history.

(56) **References Cited**

U.S. PATENT DOCUMENTS

5,952,066 A * 9/1999 Schmidt B65D 1/0215
428/35.9
 6,352,426 B1 * 3/2002 Hutchinson B29C 45/045
425/548
 7,367,795 B2 * 5/2008 Hutchinson B29C 33/3828
425/527
 2005/0136201 A1 * 6/2005 Farha B29C 45/1684
428/35.7



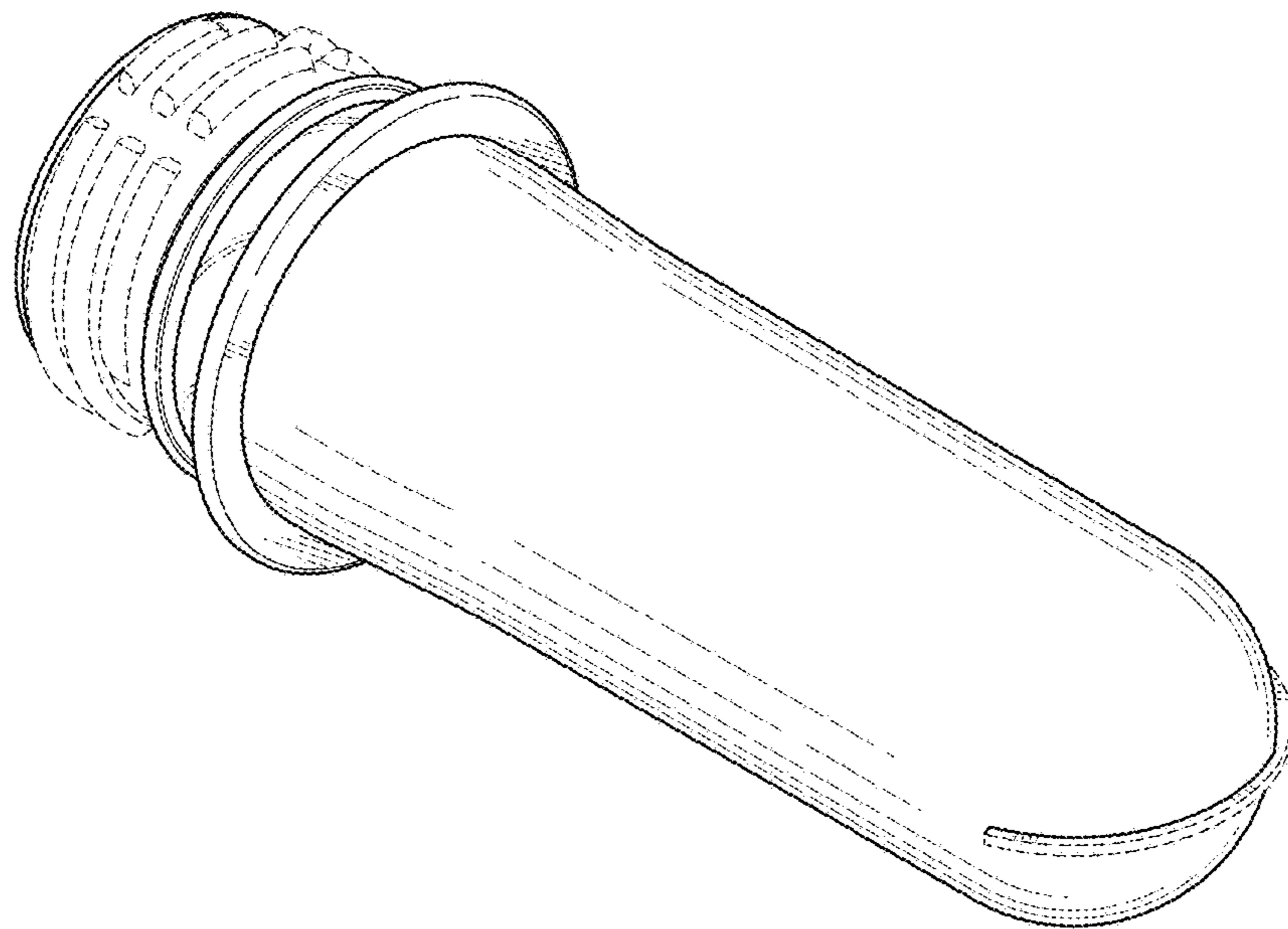


FIG. 1

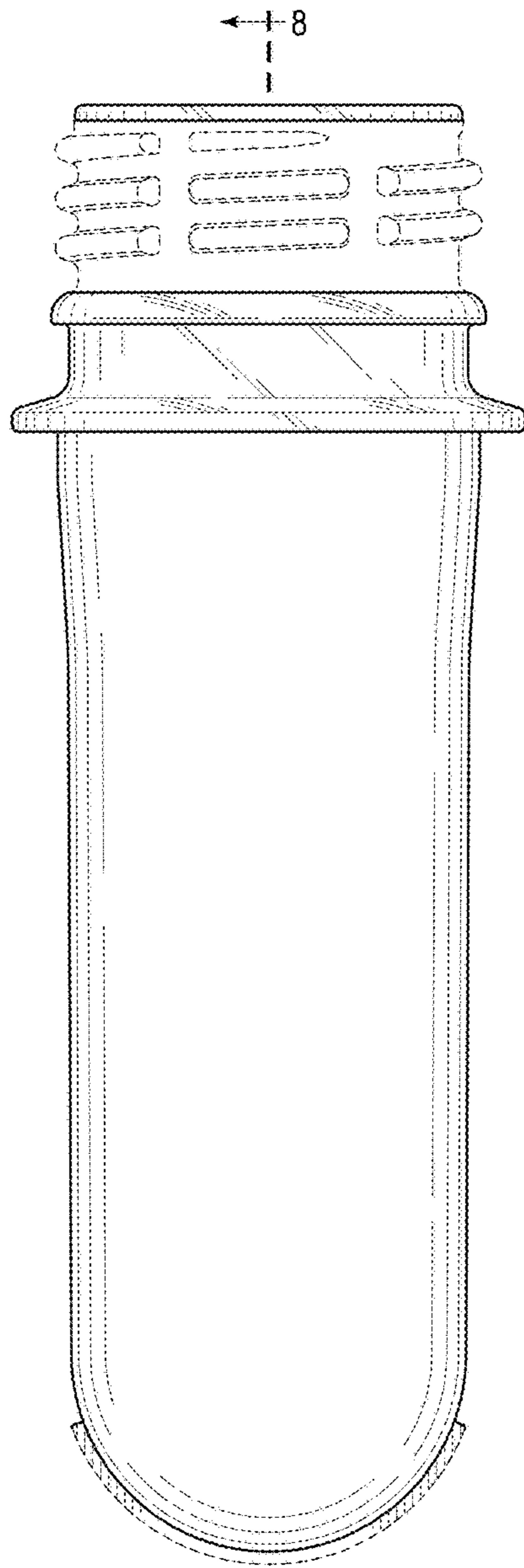


FIG. 2

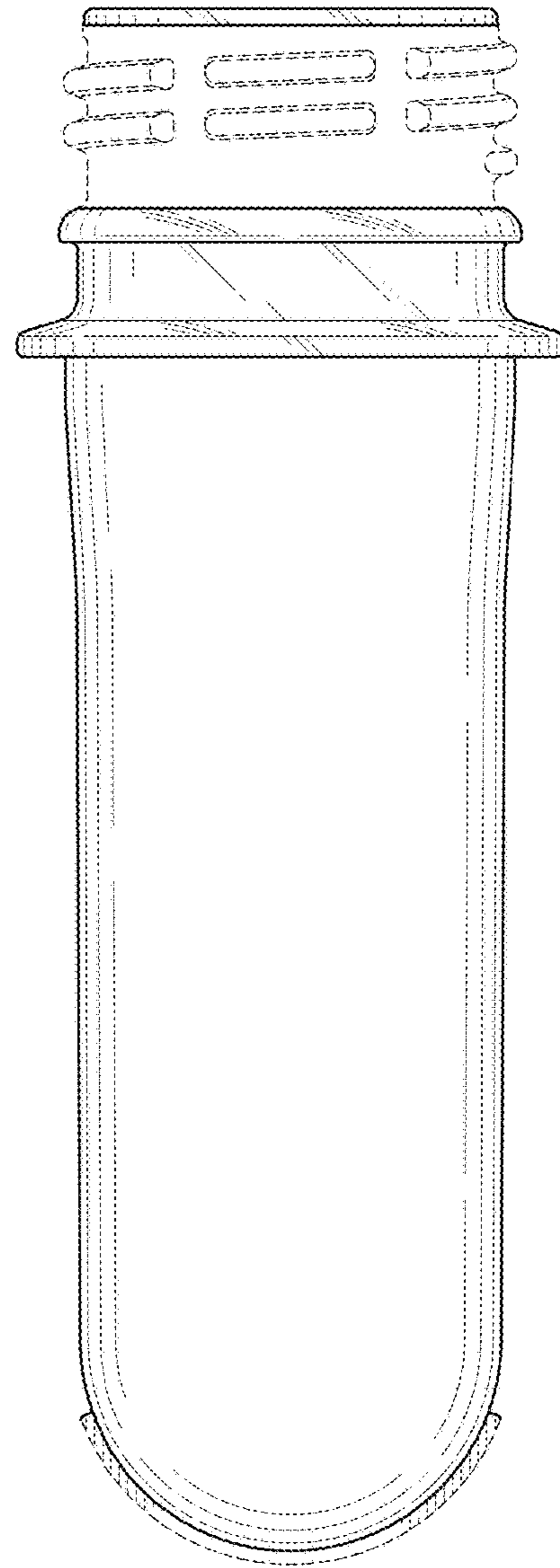


FIG. 3

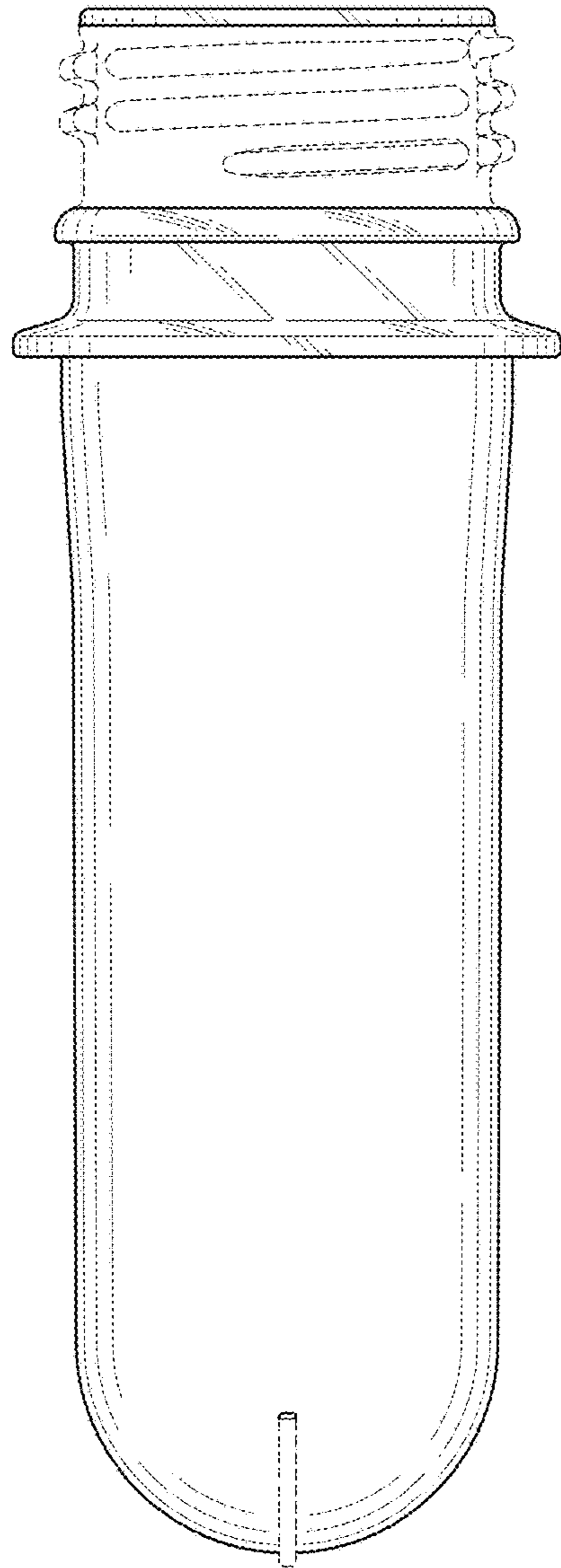


FIG. 4

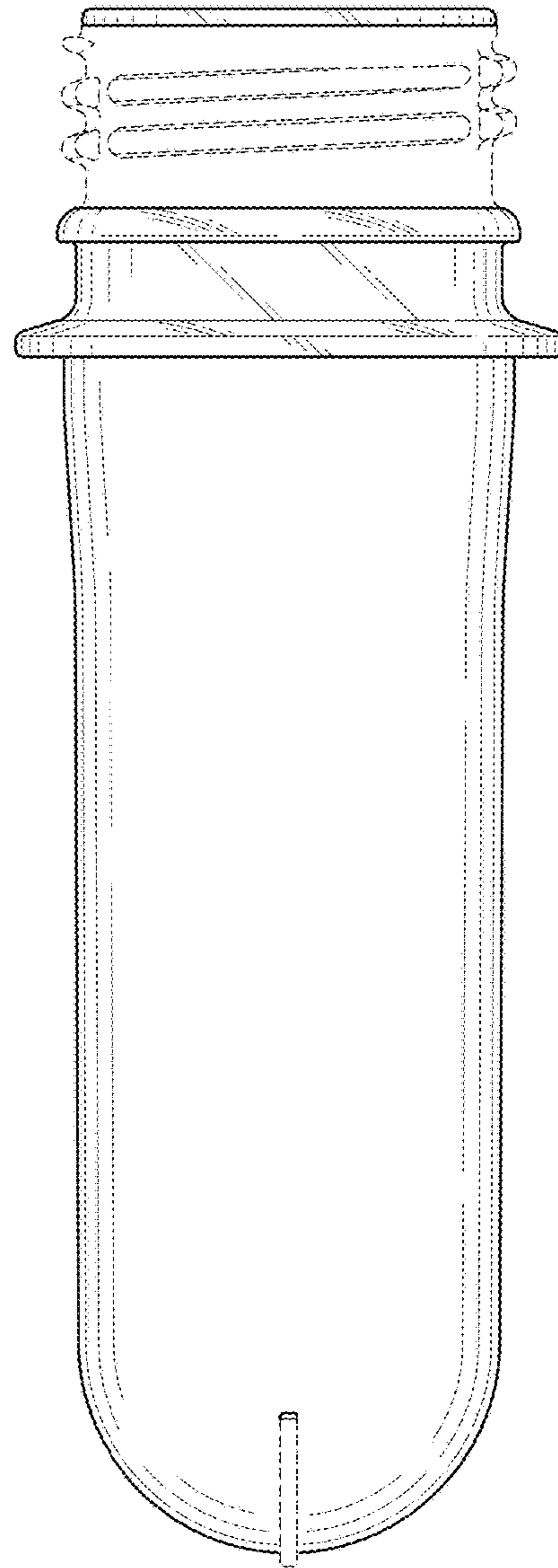


FIG. 5

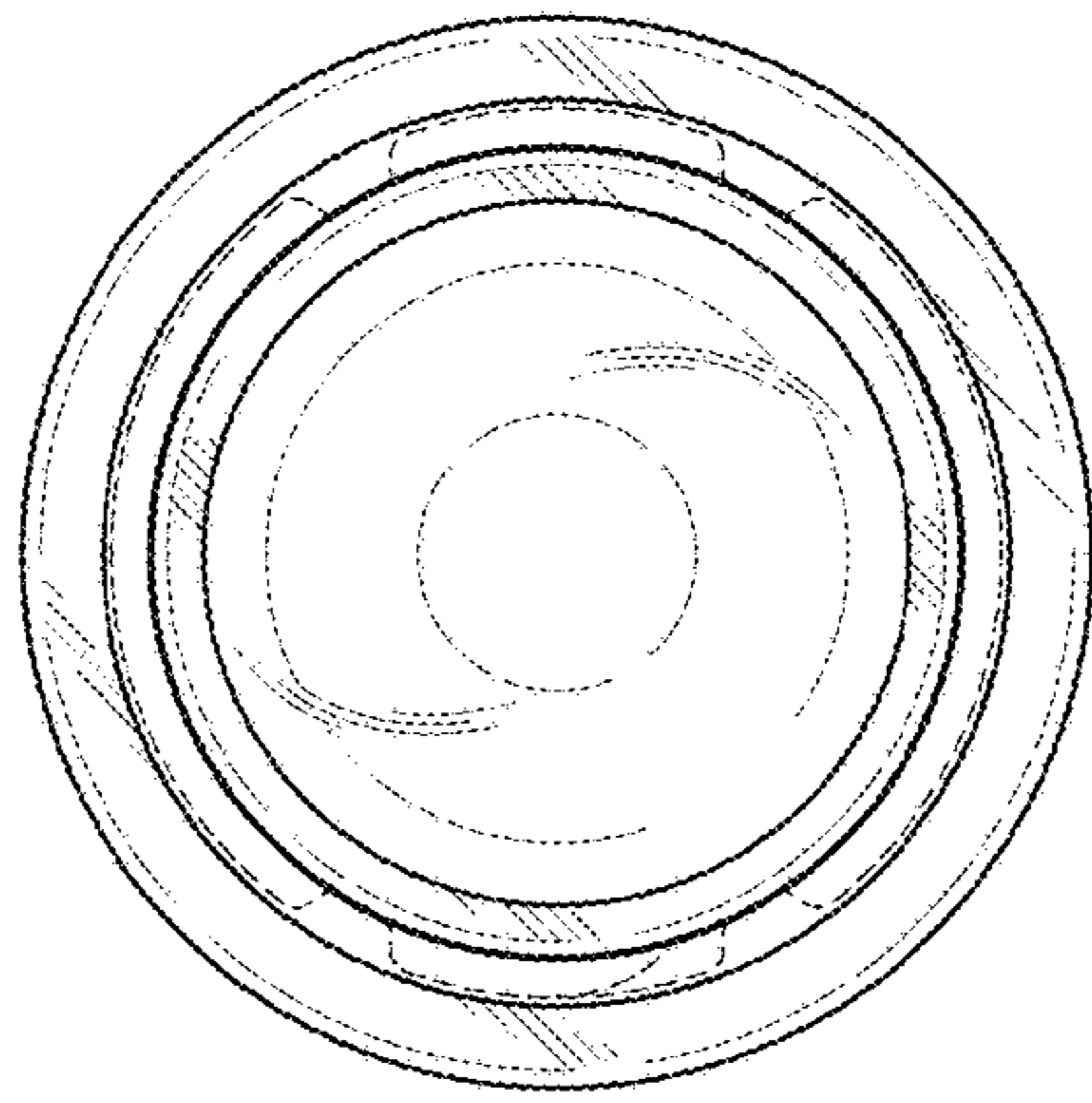


FIG. 6

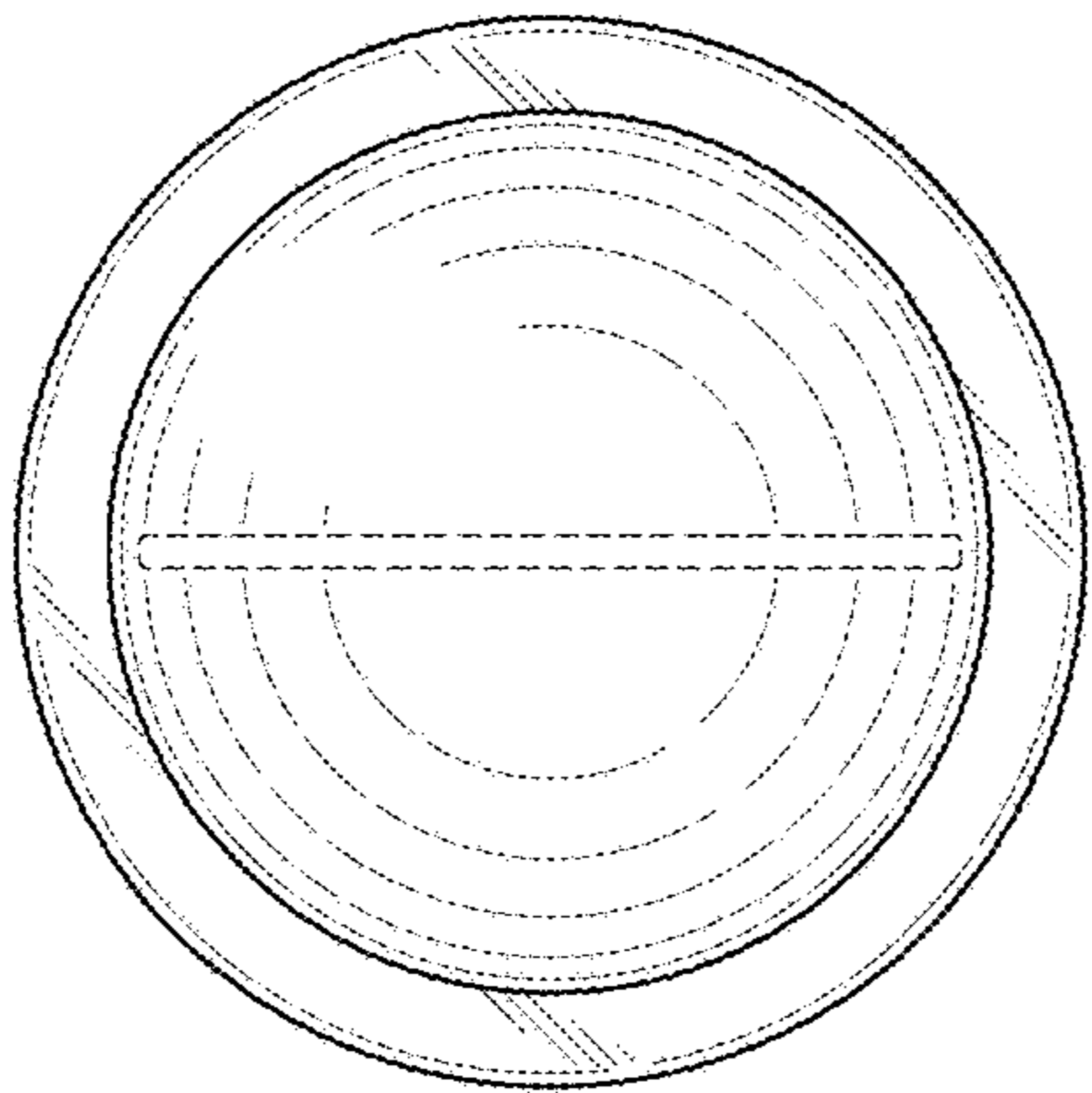


FIG. 7

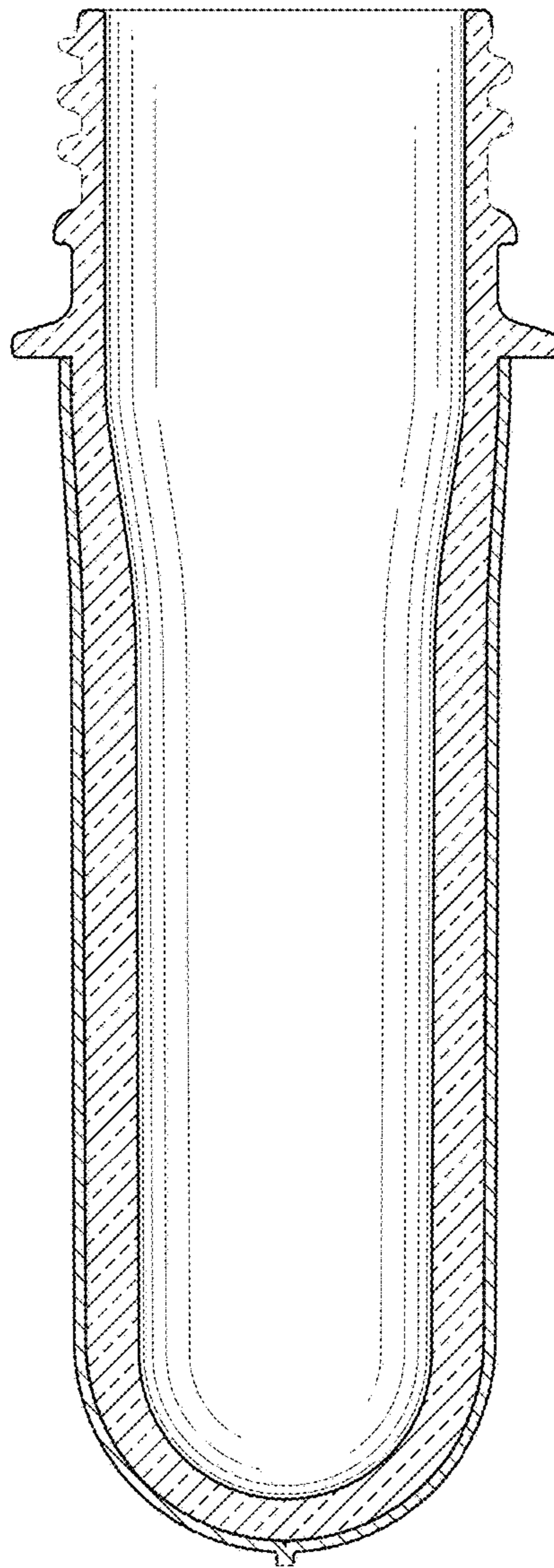


FIG. 8