



US00D842700S

(12) **United States Design Patent**
Blomberg et al.

(10) **Patent No.:** **US D842,700 S**
(45) **Date of Patent:** **** Mar. 12, 2019**

(54) **JAR**

(71) Applicant: **POLLEN GEAR LLC**, New York, NY (US)

(72) Inventors: **Shane Grant Blomberg**, Brooklyn, NY (US); **Edward Kilduff**, New York, NY (US)

(73) Assignee: **POLLEN GEAR LLC**, Hermosa Beach, CA (US)

(**) Term: **15 Years**

(21) Appl. No.: **29/589,016**

(22) Filed: **Dec. 27, 2016**

Related U.S. Application Data

(63) Continuation-in-part of application No. 29/580,322, filed on Oct. 7, 2016.

(51) **LOC (11) Cl.** **09-01**

(52) **U.S. Cl.**
USPC **D9/500; D9/520**

(58) **Field of Classification Search**
USPC D9/414, 434-435, 444-445, 449, 454, D9/500, 503-504, 516, 520, 529, 549,
(Continued)

(56) **References Cited**

U.S. PATENT DOCUMENTS

D34,061 S 2/1901 Scattergood
D65,326 S 7/1924 Cahalane
(Continued)

FOREIGN PATENT DOCUMENTS

CN 301921442 S 5/2012
CN 303603019 S 3/2016
(Continued)

OTHER PUBLICATIONS

“7ml clear glass low-profile jar with 38-400 neck finish”, Container & packaging Supply, retrieved Aug. 2017.

(Continued)

Primary Examiner — Dana Meyrow

(74) *Attorney, Agent, or Firm* — RMCK Law Group PLC

(57) **CLAIM**

The ornamental design for jar, as shown and described.

DESCRIPTION

FIG. 1 is a bottom perspective view of a jar in accordance with the present invention.

FIG. 2 is a front elevation view thereof;

FIG. 3 is a rear elevation view thereof;

FIG. 4 is a left side elevation view thereof;

FIG. 5 is a right side elevation view thereof;

FIG. 6 is a bottom plan view thereof;

FIG. 7 is a bottom perspective view of a second embodiment of our new design for a jar.

FIG. 8 is a front elevation view thereof;

FIG. 9 is a rear elevation view thereof;

FIG. 10 is a left side elevation view thereof;

FIG. 11 is a right side elevation view thereof;

FIG. 12 is a bottom plan view thereof;

FIG. 13 is a bottom perspective view of a third embodiment of our new design for a jar.

FIG. 14 is a front elevation view thereof;

FIG. 15 is a rear elevation view thereof;

FIG. 16 is a left side elevation view thereof;

FIG. 17 is a right side elevation view thereof;

FIG. 18 is a bottom plan view thereof;

FIG. 19 is a bottom perspective view of a fourth embodiment of our new design for a jar.

FIG. 20 is a front elevation view thereof;

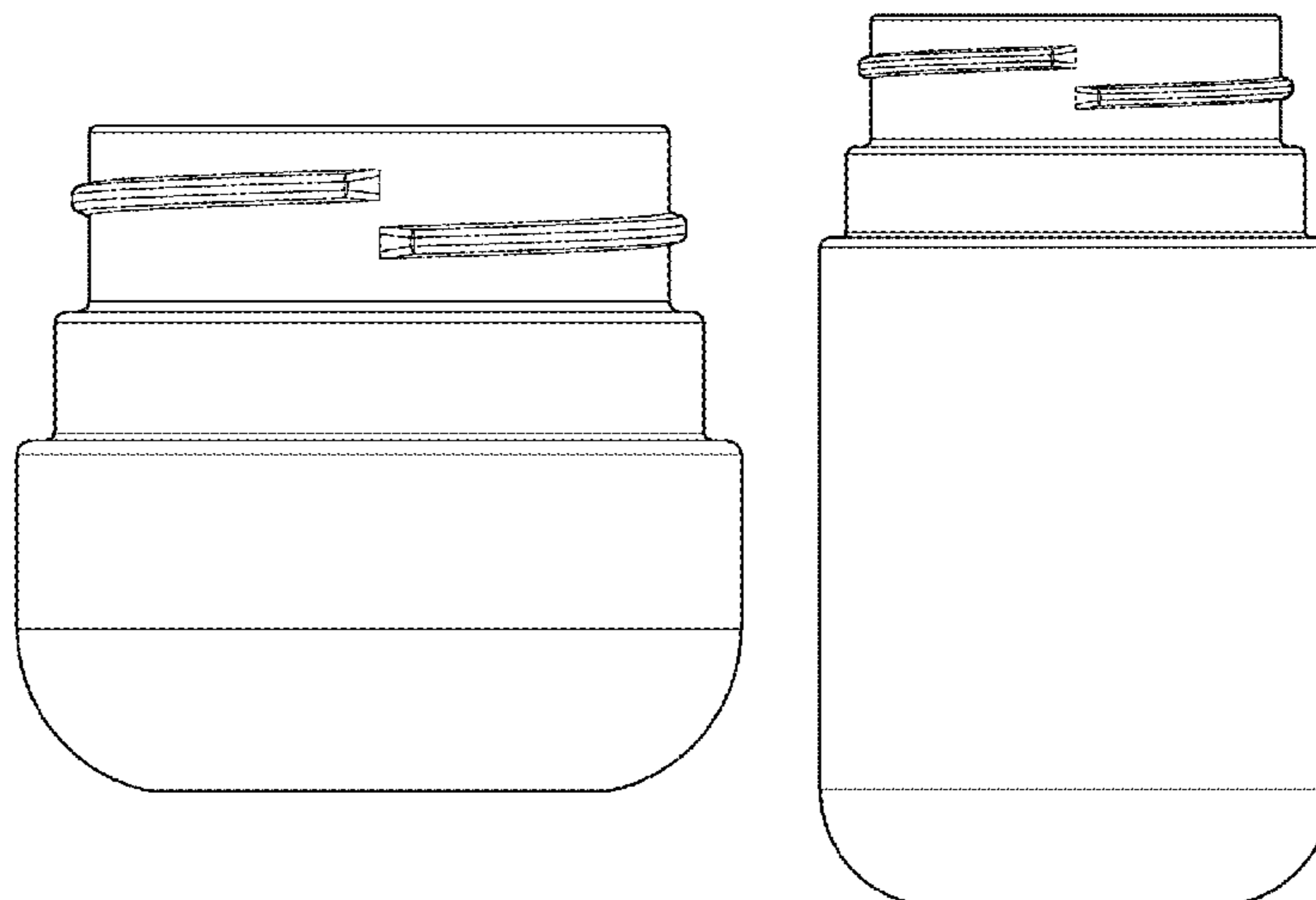
FIG. 21 is a rear elevation view thereof;

FIG. 22 is a left side elevation view thereof;

FIG. 23 is a right side elevation view thereof; and,

FIG. 24 is a bottom plan view thereof.

1 Claim, 12 Drawing Sheets



(58) **Field of Classification Search**

USPC D9/558, 715; D3/202, 203.2, 302;
 D7/608, 629–630; D28/4, 8, 76, 91
 CPC B65D 1/00; B65D 1/02; B65D 1/0223;
 B65D 23/00; B65D 81/00; B65D
 2501/00; B65D 2501/0009

See application file for complete search history.

(56) **References Cited**

U.S. PATENT DOCUMENTS

2,076,549 A * 4/1937 Conner A45D 40/0068
 215/10
 2,076,551 A 4/1937 Conner
 2,077,215 A 4/1937 Conner
 2,077,216 A 4/1937 Conner
 2,711,766 A 6/1955 Archer et al.
 2,770,382 A * 11/1956 Ritter B65D 41/04
 215/329
 2,804,103 A 8/1957 Wall
 2,980,275 A 4/1961 Adolf
 3,311,248 A 3/1967 Marchant
 3,601,250 A 8/1971 Merila
 D237,361 S 10/1975 Picker
 D242,222 S * 11/1976 Pettengill D9/602
 4,020,965 A 5/1977 Northup
 4,090,631 A 5/1978 Grussen
 D249,021 S * 8/1978 Pettengill D9/602
 4,346,815 A * 8/1982 Raymor B65D 1/46
 215/321
 D272,722 S * 2/1984 Haakenson D9/503
 D273,766 S * 5/1984 Lampe D9/424
 D274,848 S * 7/1984 Chevassus D28/76
 D275,733 S 10/1984 Pardo
 D278,121 S * 3/1985 Sussman D9/504
 D280,291 S * 8/1985 Copsey D9/500
 D280,975 S 10/1985 Dine
 D281,673 S * 12/1985 Lampe D9/424
 D281,764 S 12/1985 Legrottaglie
 D284,252 S * 6/1986 Lichtenvort D7/597
 D302,384 S 7/1989 Holewinski
 D322,753 S * 12/1991 Sussman D11/152
 5,197,616 A 3/1993 Buono
 D347,359 S 5/1994 Robbins, I
 D381,259 S 7/1997 Hayes
 D382,809 S 8/1997 Aldrich et al.
 D403,589 S 1/1999 Wong
 D403,590 S 1/1999 Wong
 D405,609 S * 2/1999 Fu D3/302
 5,894,949 A 4/1999 Taskis et al.
 D438,376 S * 3/2001 Marshall D3/257
 D441,284 S 5/2001 Saur et al.
 D442,864 S 5/2001 Davies
 D445,690 S 7/2001 Ekkert
 D453,473 S 2/2002 Bianco
 D466,814 S 12/2002 Hurlburt
 D484,644 S * 12/2003 Noh D28/76
 D485,017 S 1/2004 Noh
 D491,800 S * 6/2004 Palomino, Jr. D9/504
 D493,721 S 8/2004 Puigbo
 D497,778 S * 11/2004 Rich D7/608
 D506,128 S 6/2005 Foi
 D507,679 S * 7/2005 Ashiwa D28/76
 6,986,807 B2 1/2006 Brunk
 D519,837 S 5/2006 Sturk et al.
 7,185,780 B2 3/2007 Nomula
 D554,367 S 11/2007 Chou et al.
 D567,090 S 4/2008 Swint et al.
 D574,240 S 8/2008 Szczesniak
 D578,891 S 10/2008 Puigbo
 7,527,159 B2 5/2009 Brozell
 D612,240 S * 3/2010 Cresswell D9/454
 7,815,061 B1 10/2010 Robinson et al.
 D626,414 S * 11/2010 Cresswell D9/500
 D629,689 S * 12/2010 Cresswell D9/500
 D629,691 S * 12/2010 Cresswell D9/500

D633,386 S 3/2011 Taber et al.
 D633,794 S * 3/2011 Cresswell D9/500
 D633,795 S * 3/2011 Cresswell D9/500
 D633,796 S * 3/2011 Cresswell D9/500
 D633,797 S * 3/2011 Cresswell D9/500
 D634,202 S 3/2011 Zamberlan et al.
 D635,030 S 3/2011 L'Abbate
 D638,300 S 5/2011 L'Abbate
 D639,663 S 6/2011 Llerena
 D641,257 S 7/2011 Thiebaut et al.
 D659,539 S * 5/2012 Bakic D9/503
 D661,192 S * 6/2012 Hwang D9/504
 8,205,761 B2 6/2012 Stull et al.
 D666,061 S 8/2012 Ying
 D679,990 S 4/2013 O'Brien et al.
 D681,278 S 4/2013 Schlatter
 D683,221 S * 5/2013 Graham D9/504
 D687,299 S 8/2013 Peykoff et al.
 8,672,158 B2 3/2014 Taber et al.
 8,863,947 B2 10/2014 Sibley
 D721,270 S * 1/2015 Dittmer D9/503
 D721,589 S 1/2015 Sturdevant et al.
 9,045,265 B2 6/2015 Adamczak
 D736,087 S 8/2015 Birgers
 D739,741 S 9/2015 Staab
 9,151,531 B2 * 10/2015 Wengreen A61M 5/002
 D750,885 S * 3/2016 Chazel D3/203.2
 D765,512 S * 9/2016 Joulia D28/7
 D773,302 S 12/2016 Henriksson
 D781,151 S 3/2017 Lerman
 D782,313 S 3/2017 Roser
 9,629,437 B2 * 4/2017 Shen A45D 33/00
 D787,895 S * 5/2017 Kilduff D7/629
 D797,559 S 9/2017 Lerman
 D799,963 S 10/2017 Akiyama
 D803,060 S 11/2017 Marina et al.
 D804,807 S * 12/2017 Wengreen D3/203.1
 D808,812 S 1/2018 Talsania et al.
 D809,868 S * 2/2018 Eyal D7/523
 D818,648 S * 5/2018 Cleij D28/85
 D827,388 S 9/2018 Kander
 D828,113 S 9/2018 Fleischhut
 D829,058 S 9/2018 Seiders et al.
 2005/0074528 A1 4/2005 Servaux et al.
 2008/0308518 A1 12/2008 Sprishen
 2008/0314900 A1 12/2008 Biesecker et al.
 2009/0212004 A1 8/2009 Metzger et al.
 2011/0147334 A1 6/2011 Mettu et al.
 2013/0105476 A1 * 5/2013 Hammer A45D 33/18
 220/23.83
 2014/0311940 A1 10/2014 Braveman
 2014/0343493 A1 * 11/2014 Wengreen A61J 1/165
 604/114
 2015/0076103 A1 3/2015 Koller et al.
 2015/0122767 A1 5/2015 Mettu et al.
 2015/0122769 A1 5/2015 Taber et al.
 2015/0298866 A1 10/2015 Hagen
 2016/0030285 A1 2/2016 Miceli et al.
 2016/0107796 A1 4/2016 Sibley
 2016/0295993 A1 10/2016 Wojcik et al.

FOREIGN PATENT DOCUMENTS

FR 2720376 A1 12/1995
 JP 2001158455 A 6/2001
 SI 9650055 10/1996
 TR 200501421 7/2005
 WO 8302763 A1 8/1983

OTHER PUBLICATIONS

“Frosted Glass Low Profile Jar—7ml”, Saffire Blue inc., retrieved Aug. 2017.
 “Glass Jar: EL-32315”, Products, McKeman Packaging Clearing House, retrieved Aug. 2017, 4 pages.
 “McKeman Adds Low Profile, Frosted Glass Jars”, Beauty Packaging, published Jun. 2012, 7 pages.

(56)

References Cited

OTHER PUBLICATIONS

Alameda Packaging, Child Resistant Plastic Caps; https://www.alamedapackaging.com/Catalog/Caps/Plastic_Caps/NonDispensing_Caps/181/Child_Resistant_Plastic_Caps.html; Oct. 3, 2014.

DHgate.com, Clear color 5ml glass jar tempered glass storage jars dab wax jar container oil concentrate & cosmetic cream container, <http://www.dhgate.com/product/clear-color-5ml-glass-jar-tempered-glass/238531495.html>; Apr. 29, 2016.

Holistic Packaging Company <http://holisticpackaging.com/>, Apr. 29, 2016.

SKS Science, White Child Resistant PE Lined "Push Down" Caps, <https://www.sks-science.com/closures-p-2756.html>; Aug. 10, 2005.

Van Blarcom Closures Inc., Two-Piece Plastic; Saf-Cap IIIA, ASTM Type 1A, Oct. 20, 2004.

* cited by examiner

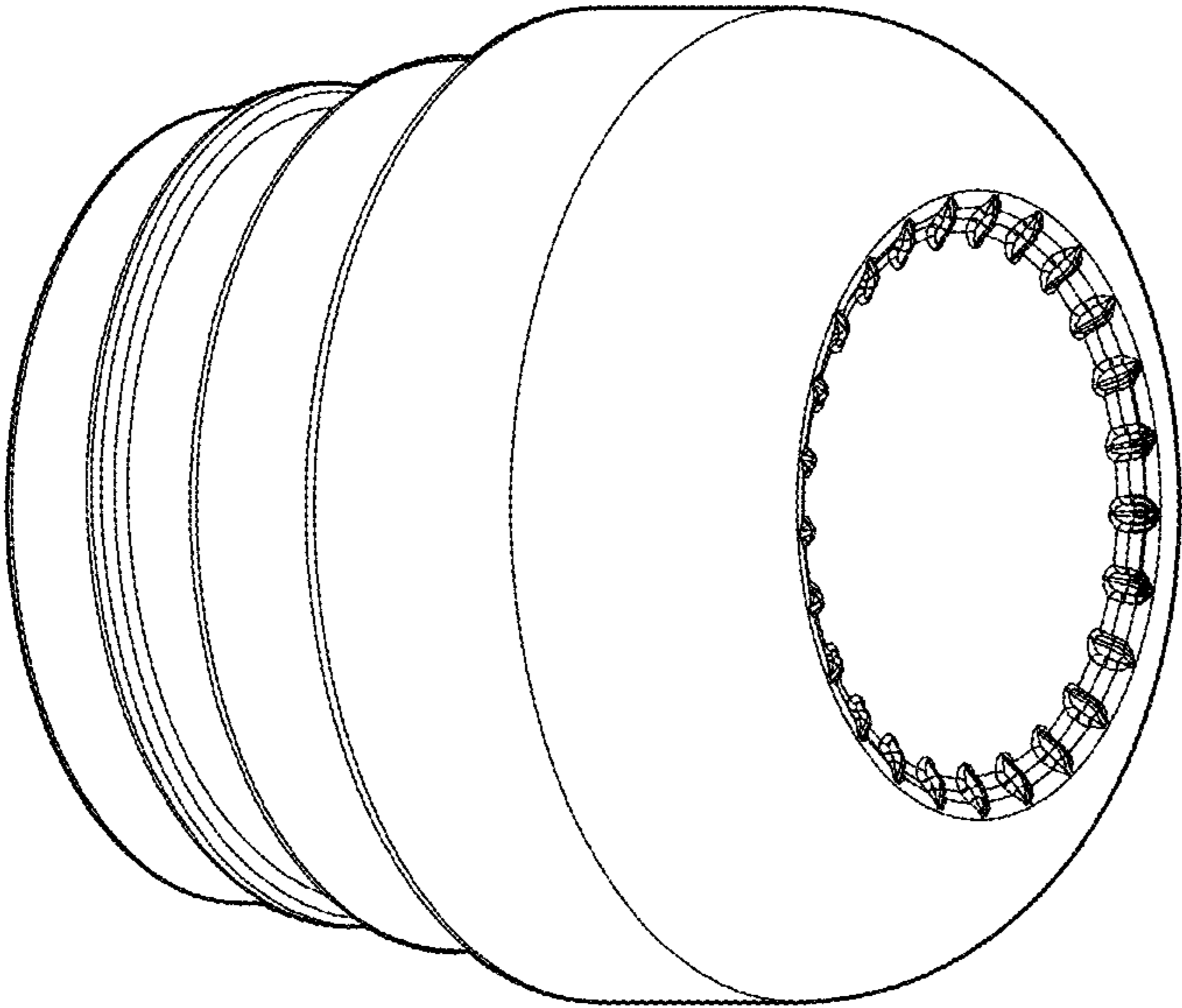


FIG.1

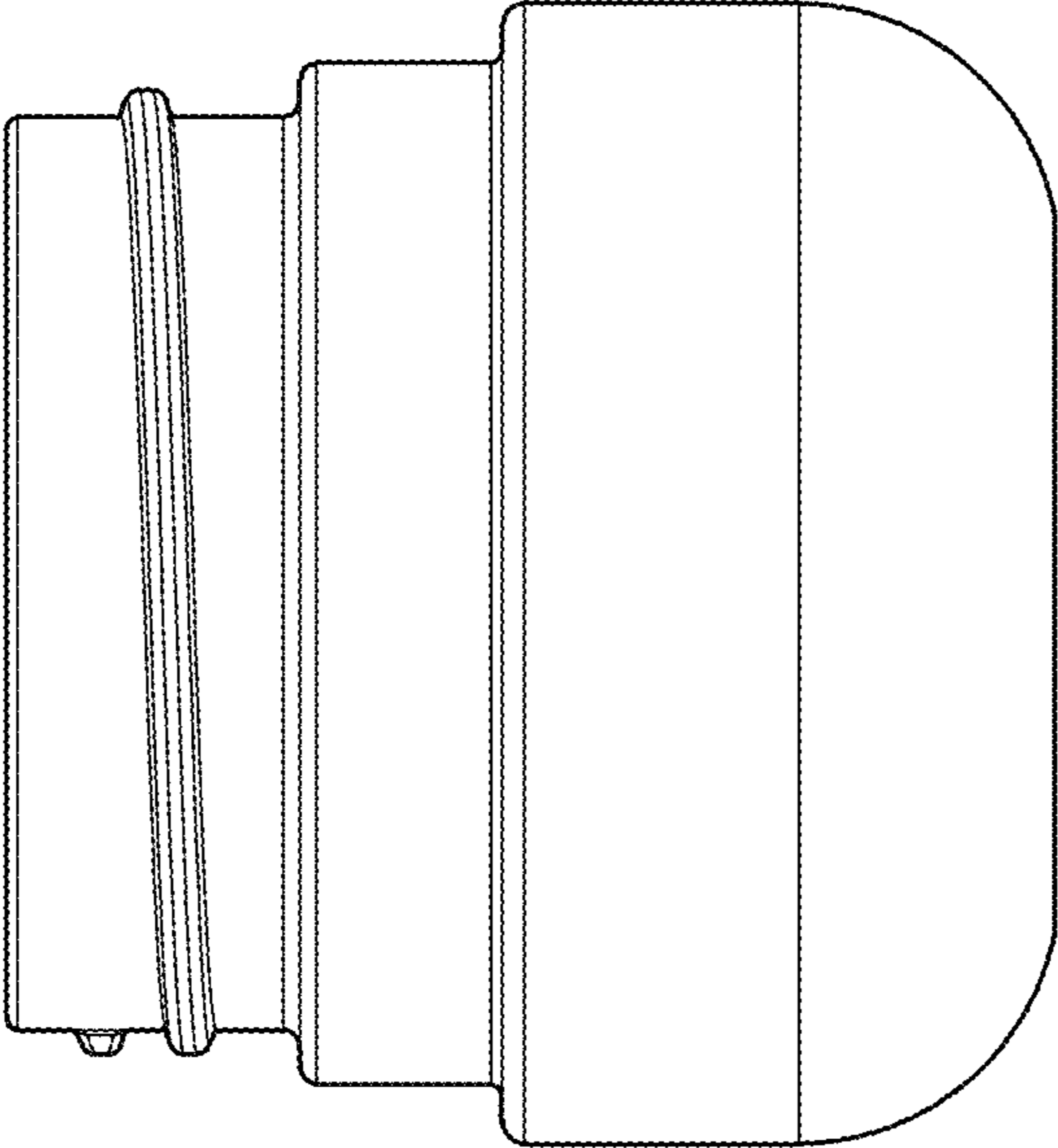


FIG.2

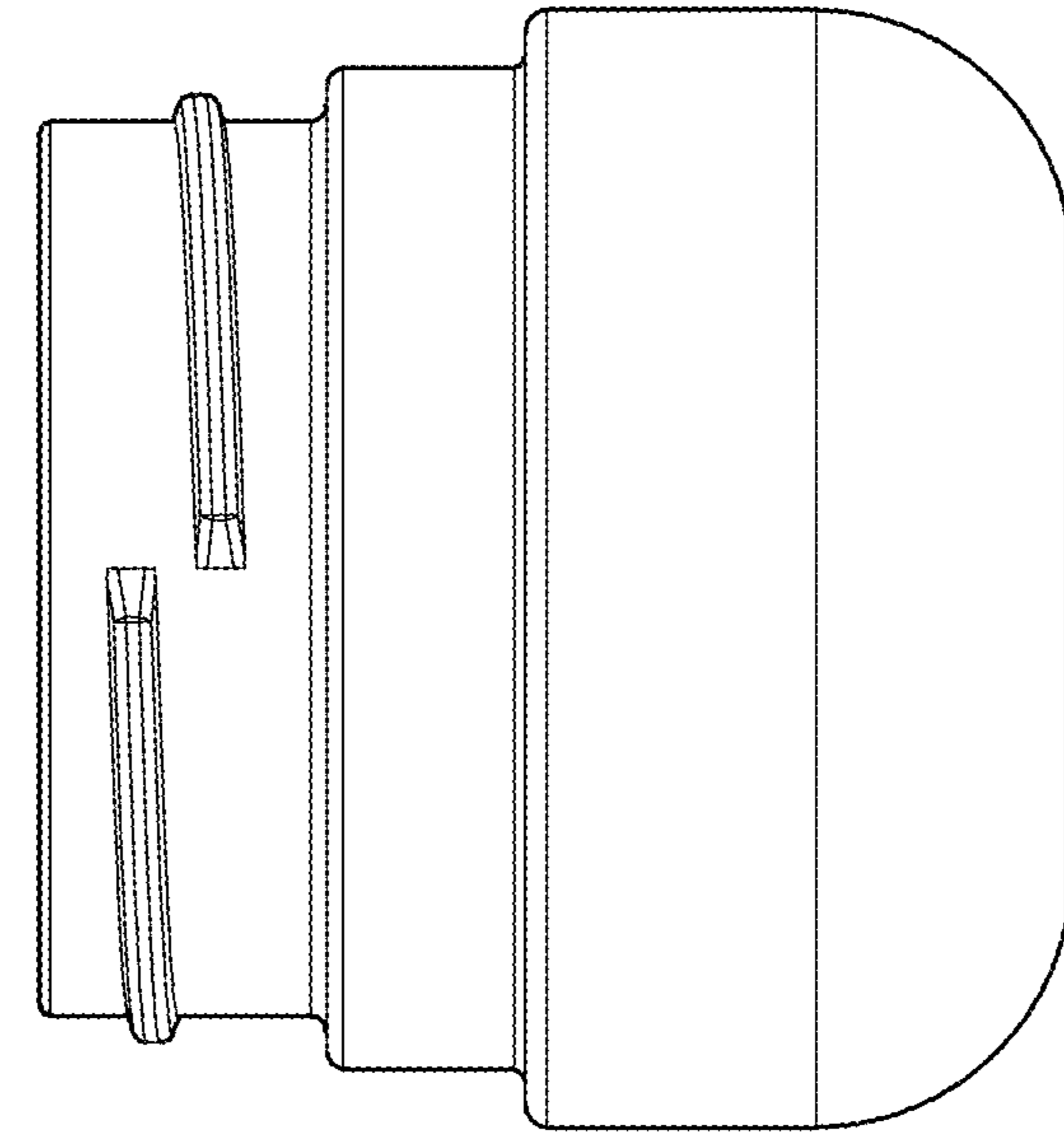


FIG.4

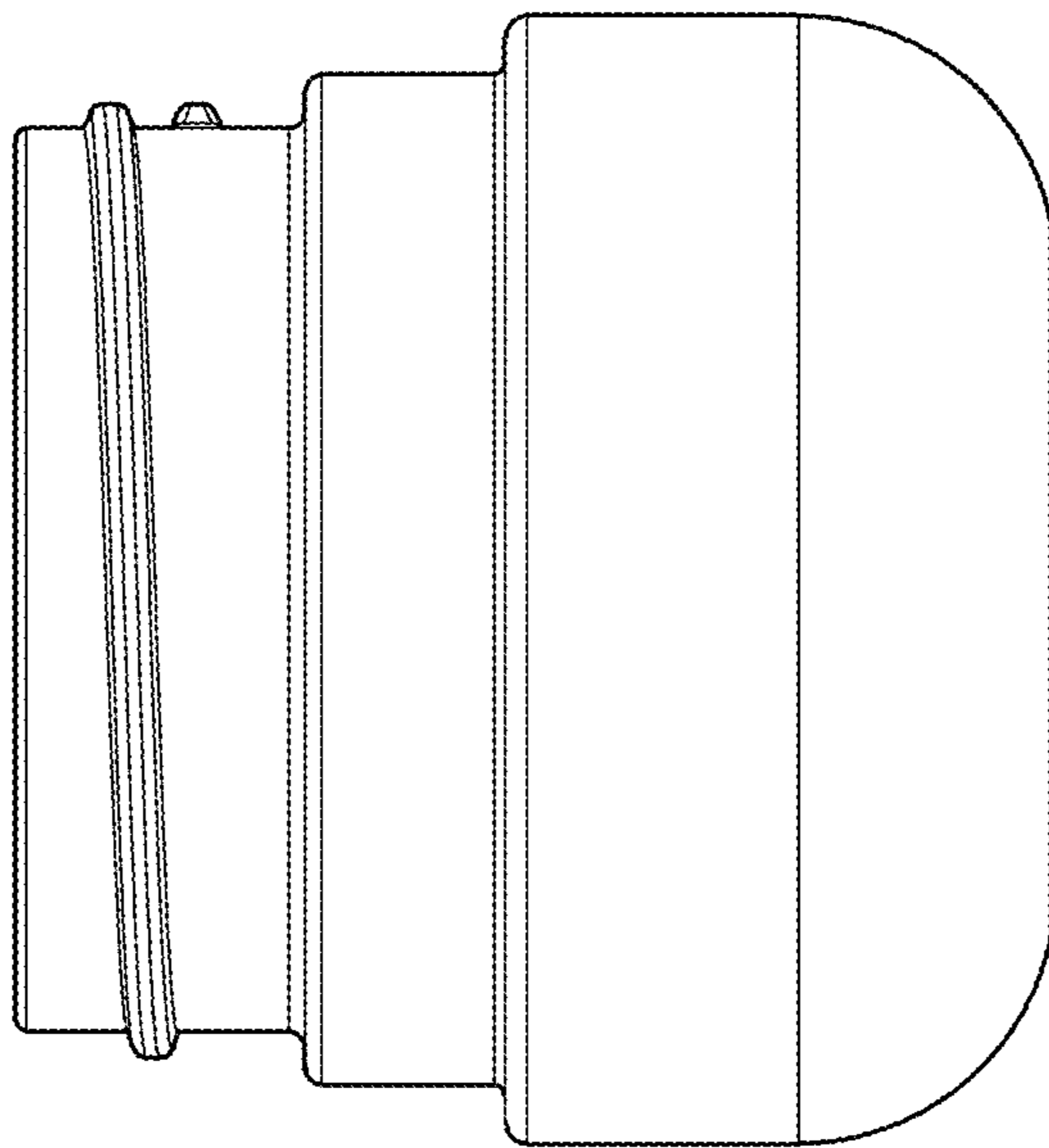


FIG.3

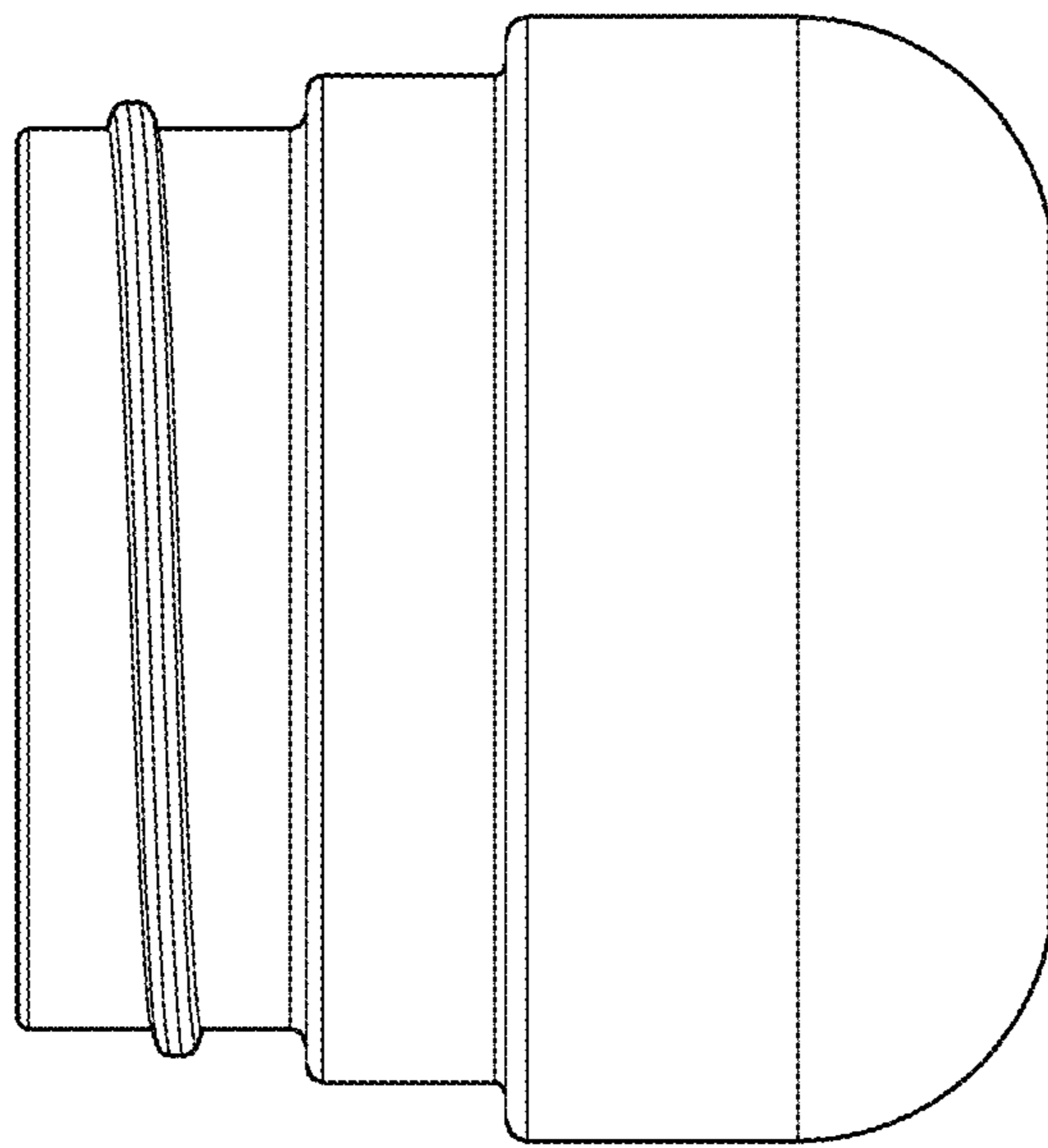


FIG. 5

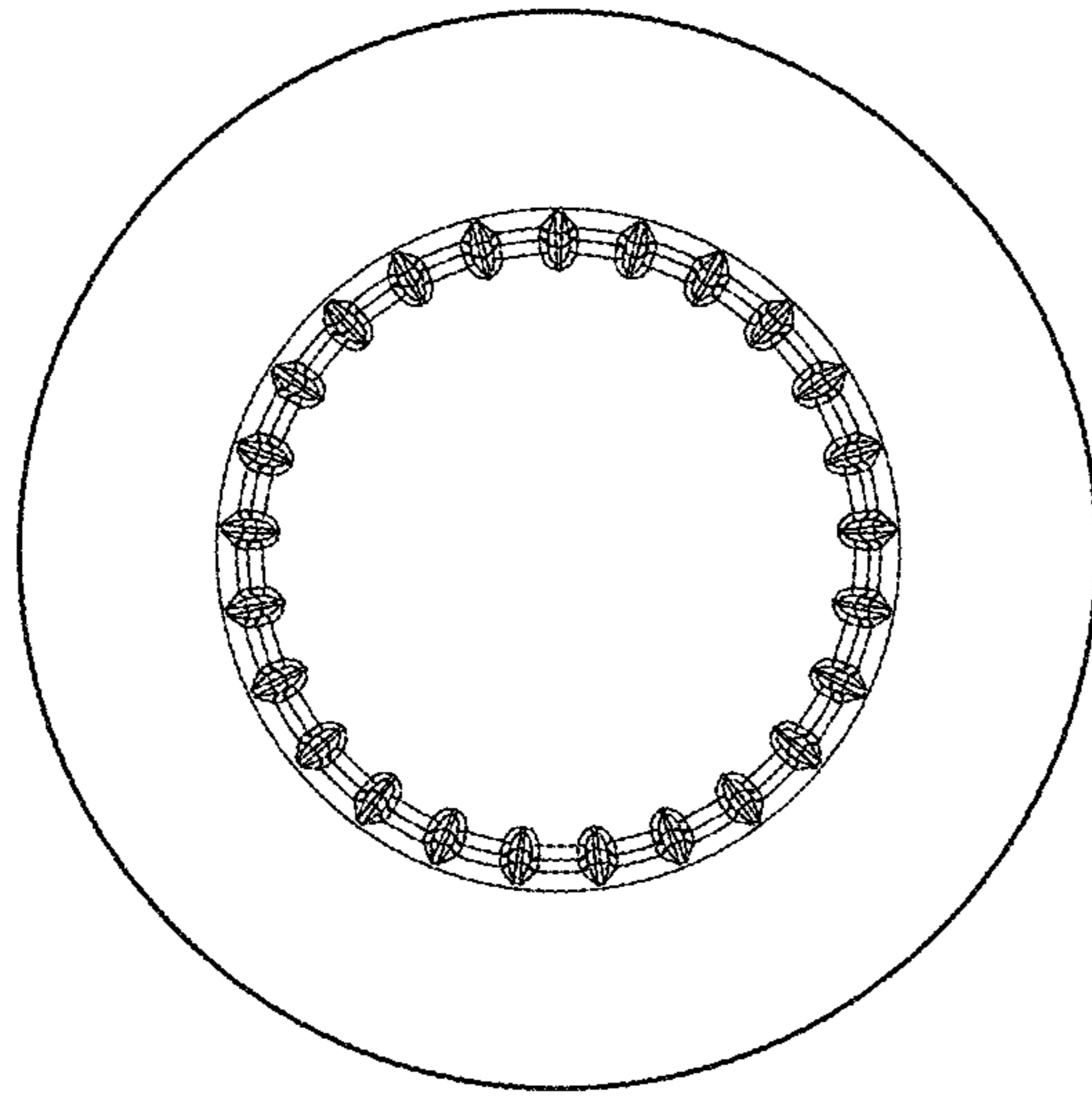


FIG. 6

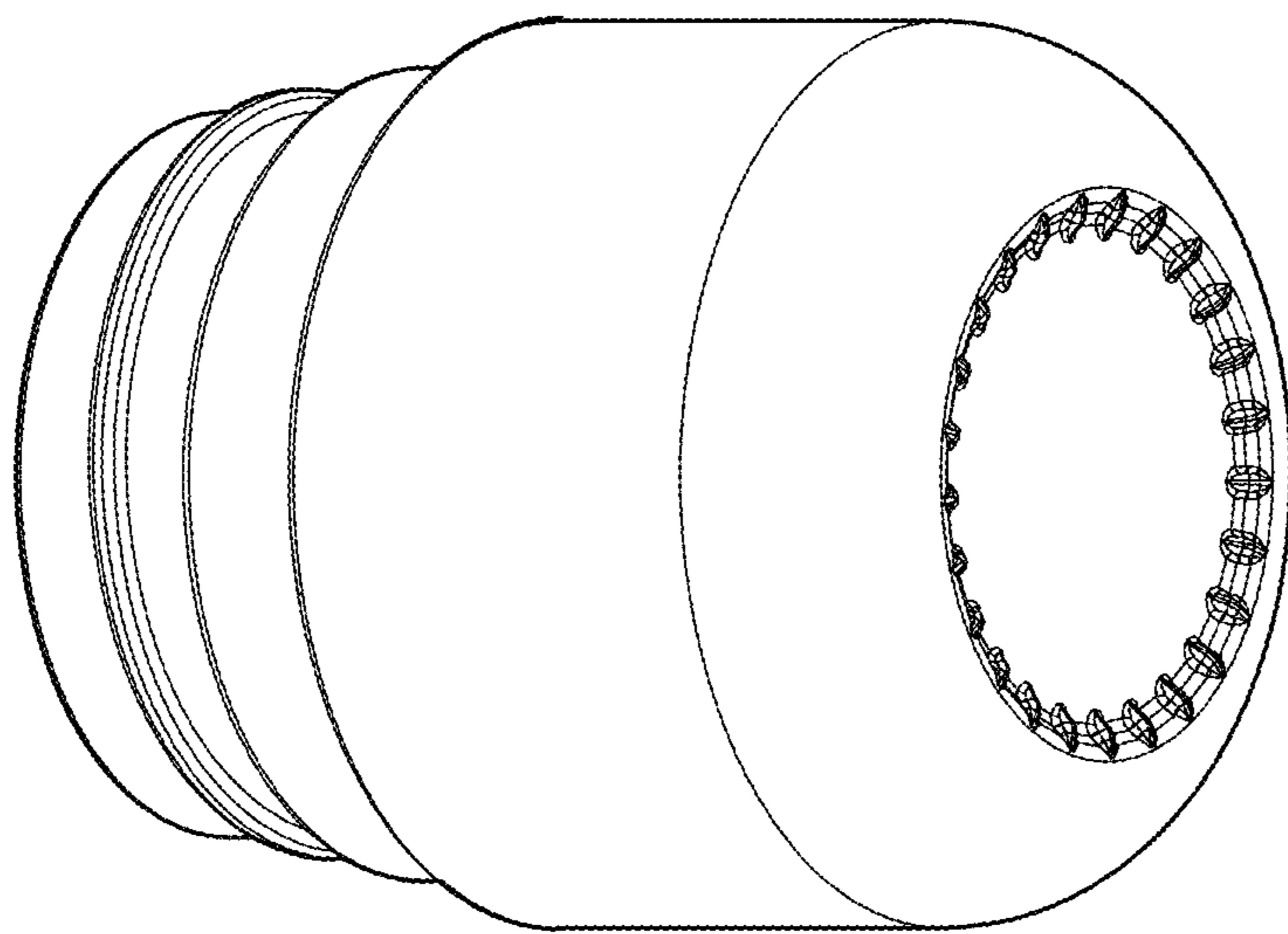


FIG. 7

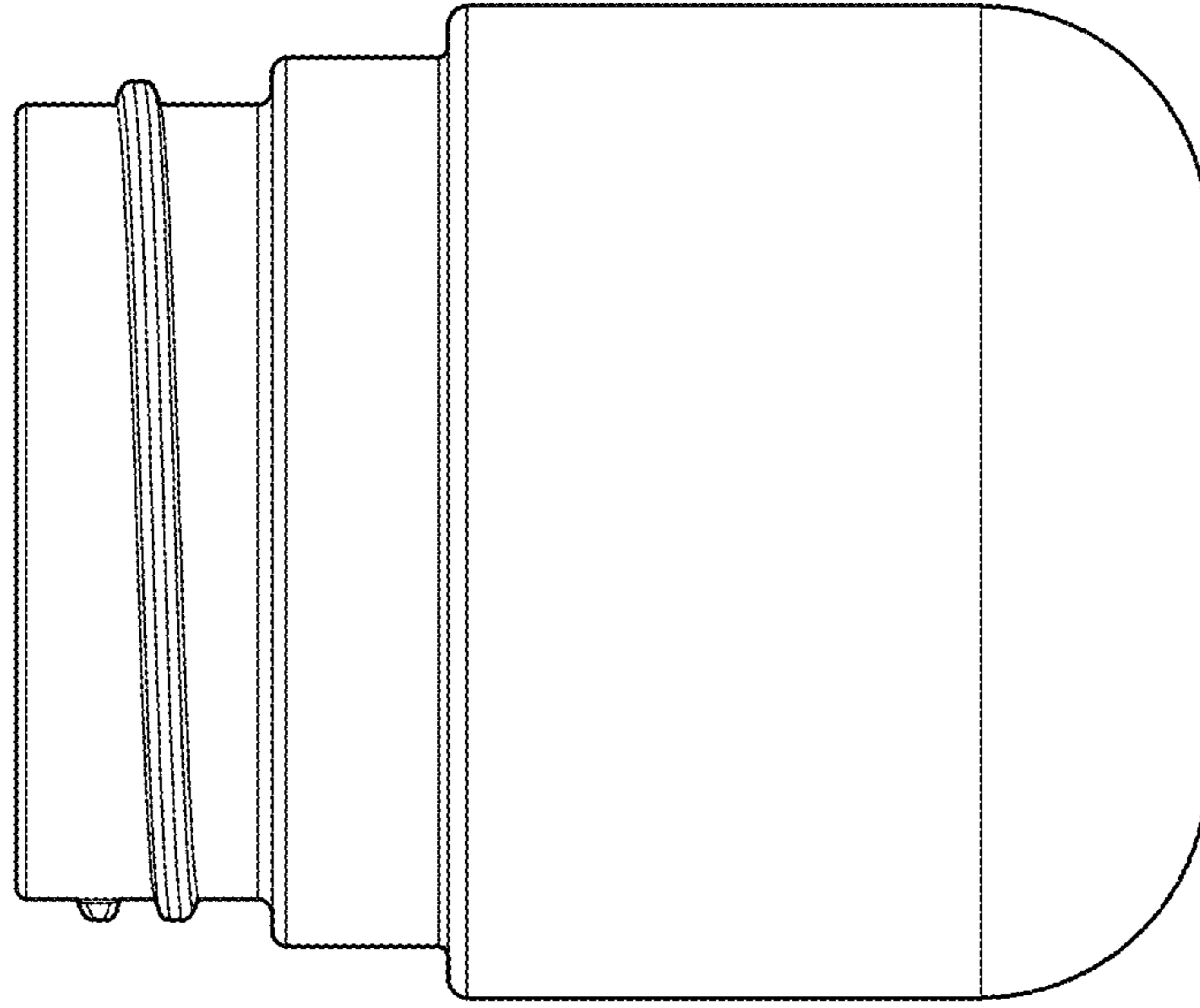


FIG. 8

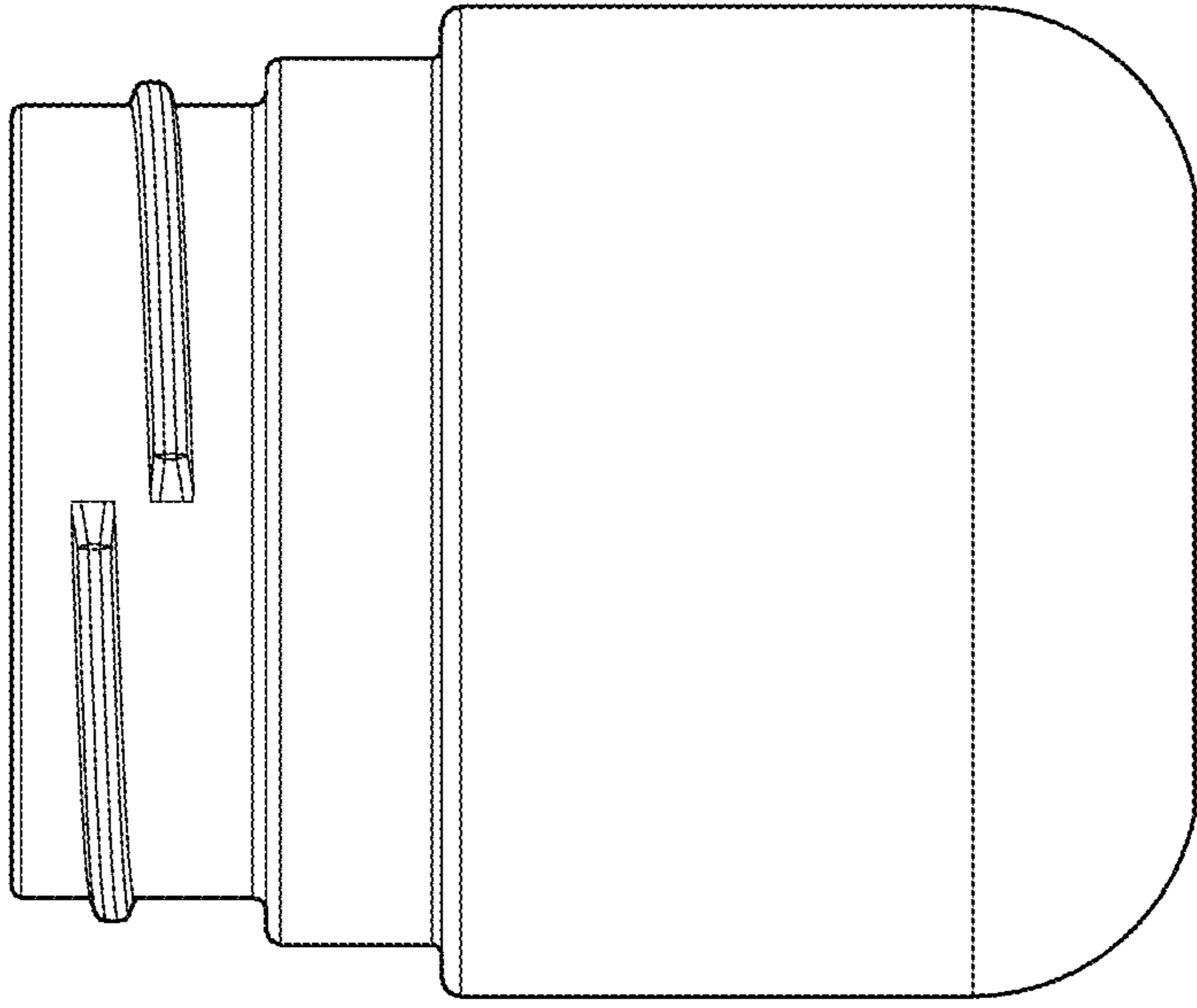


FIG.10

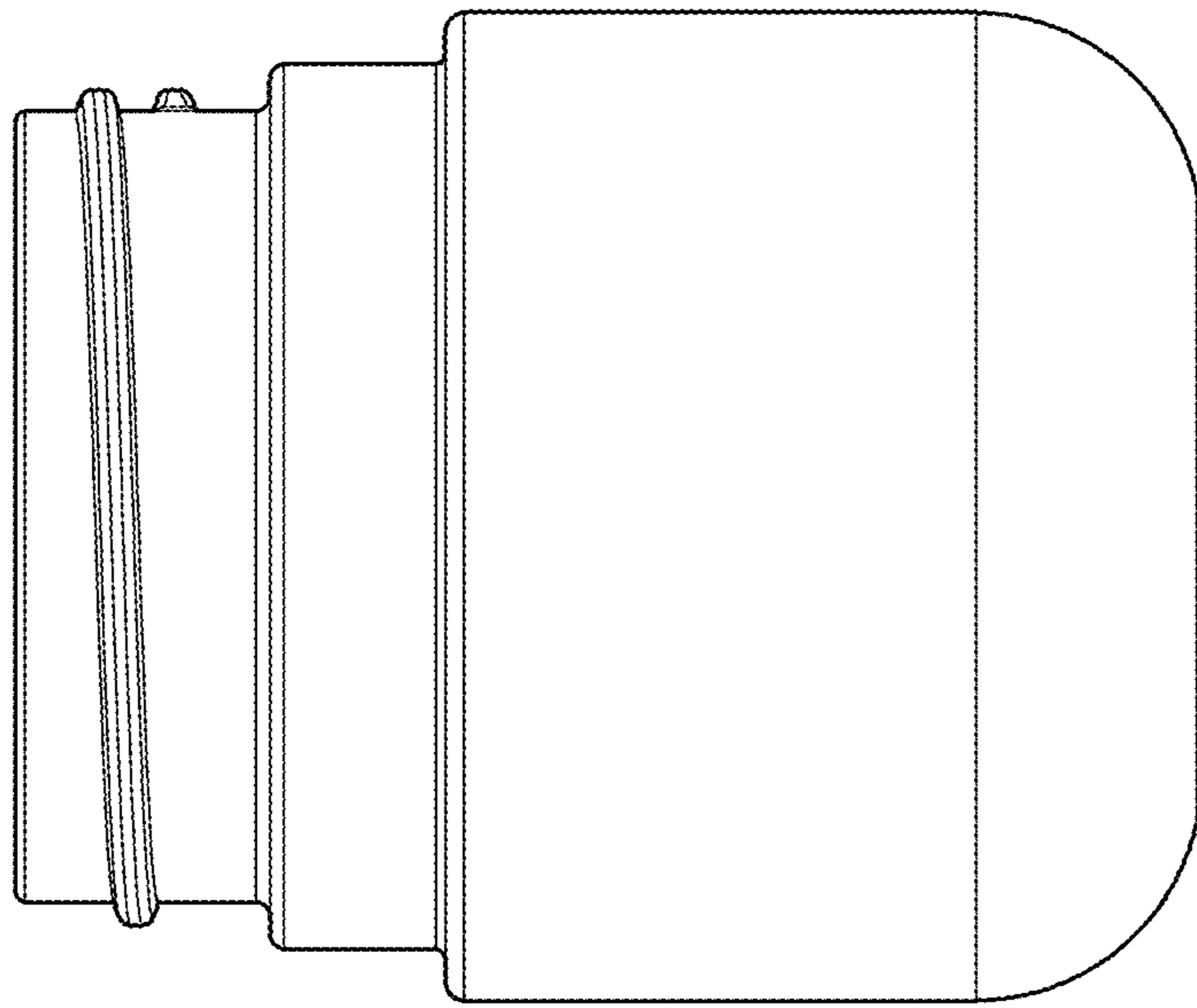


FIG.9

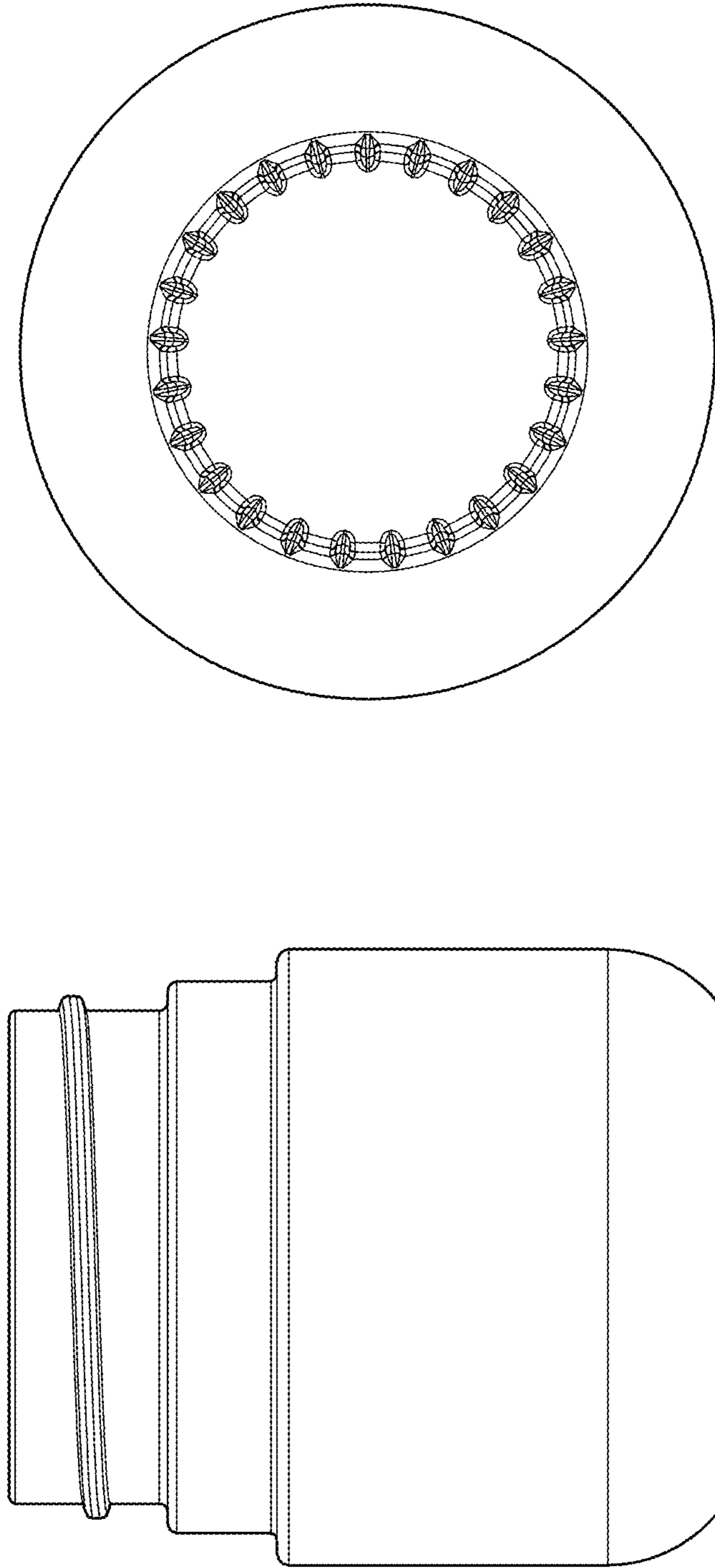


FIG.11

FIG.12

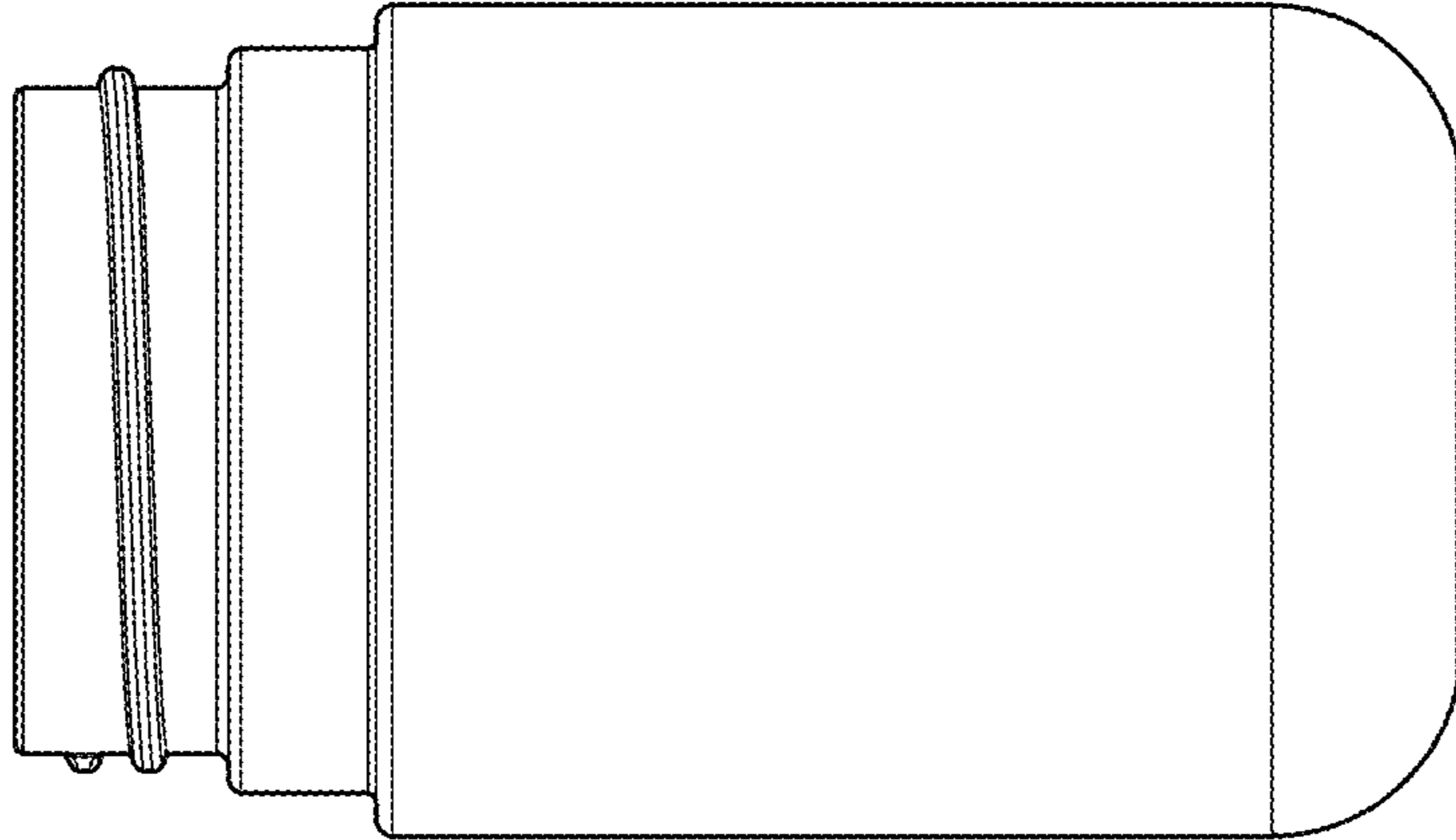


FIG.14

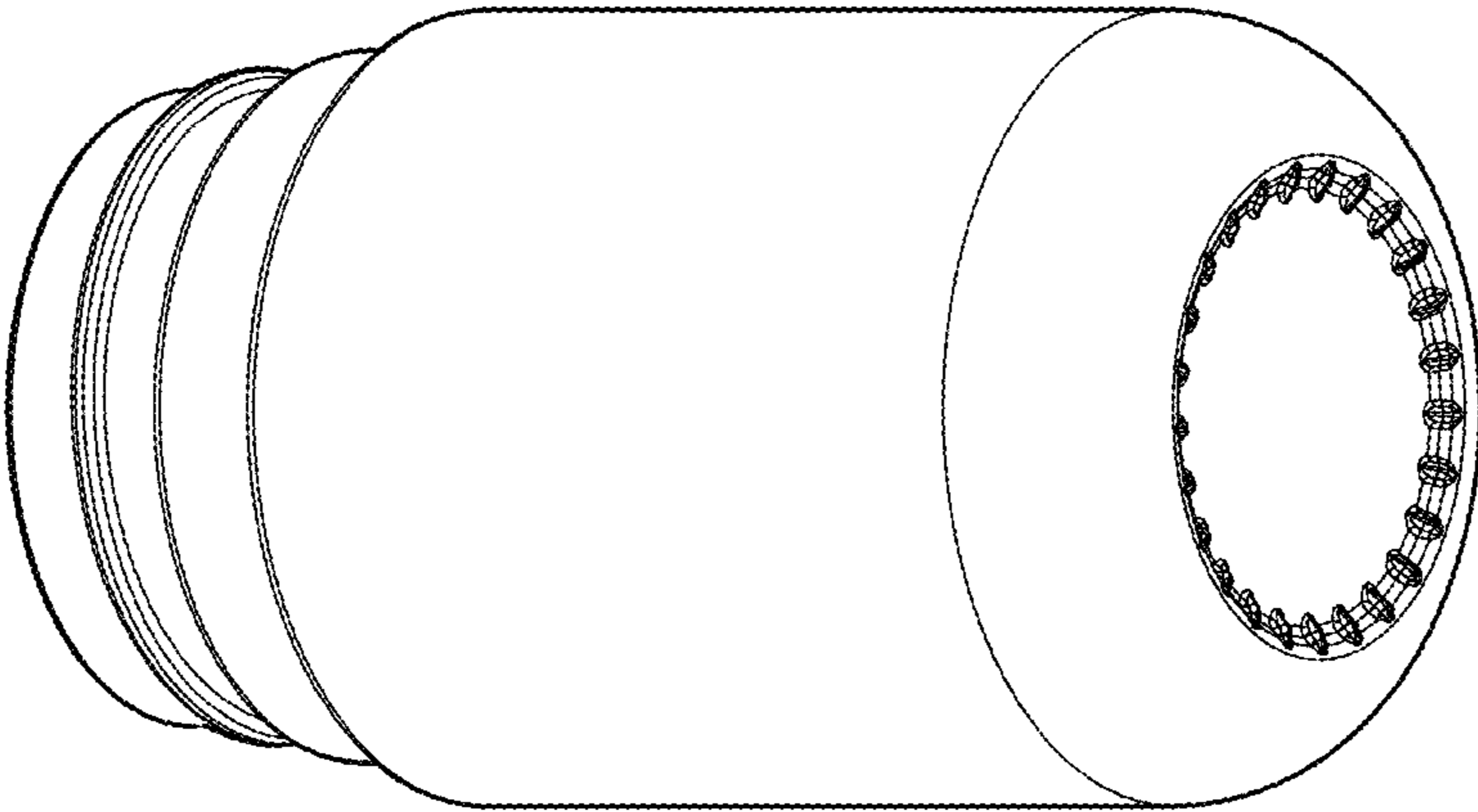


FIG.13

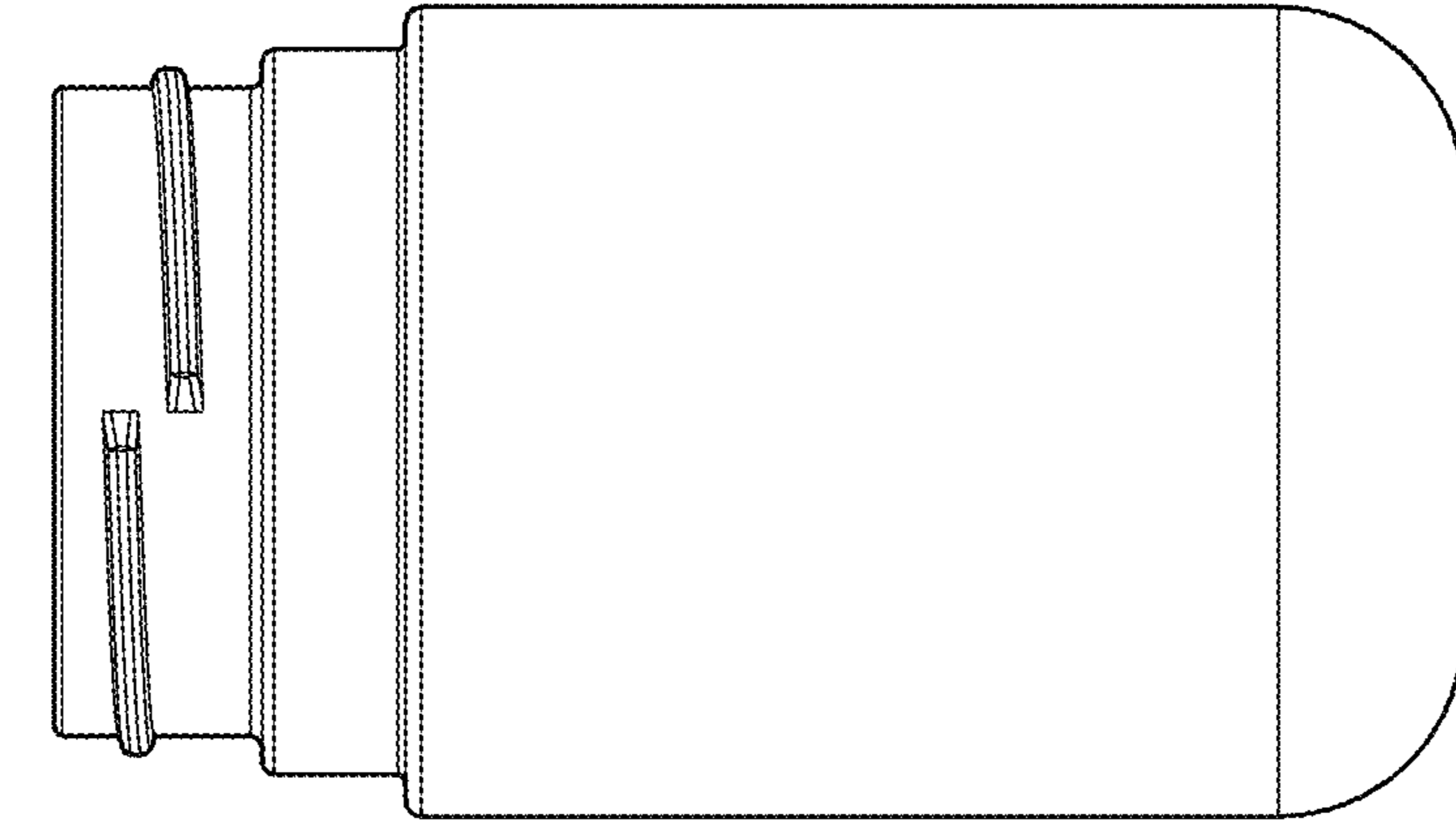


FIG.16

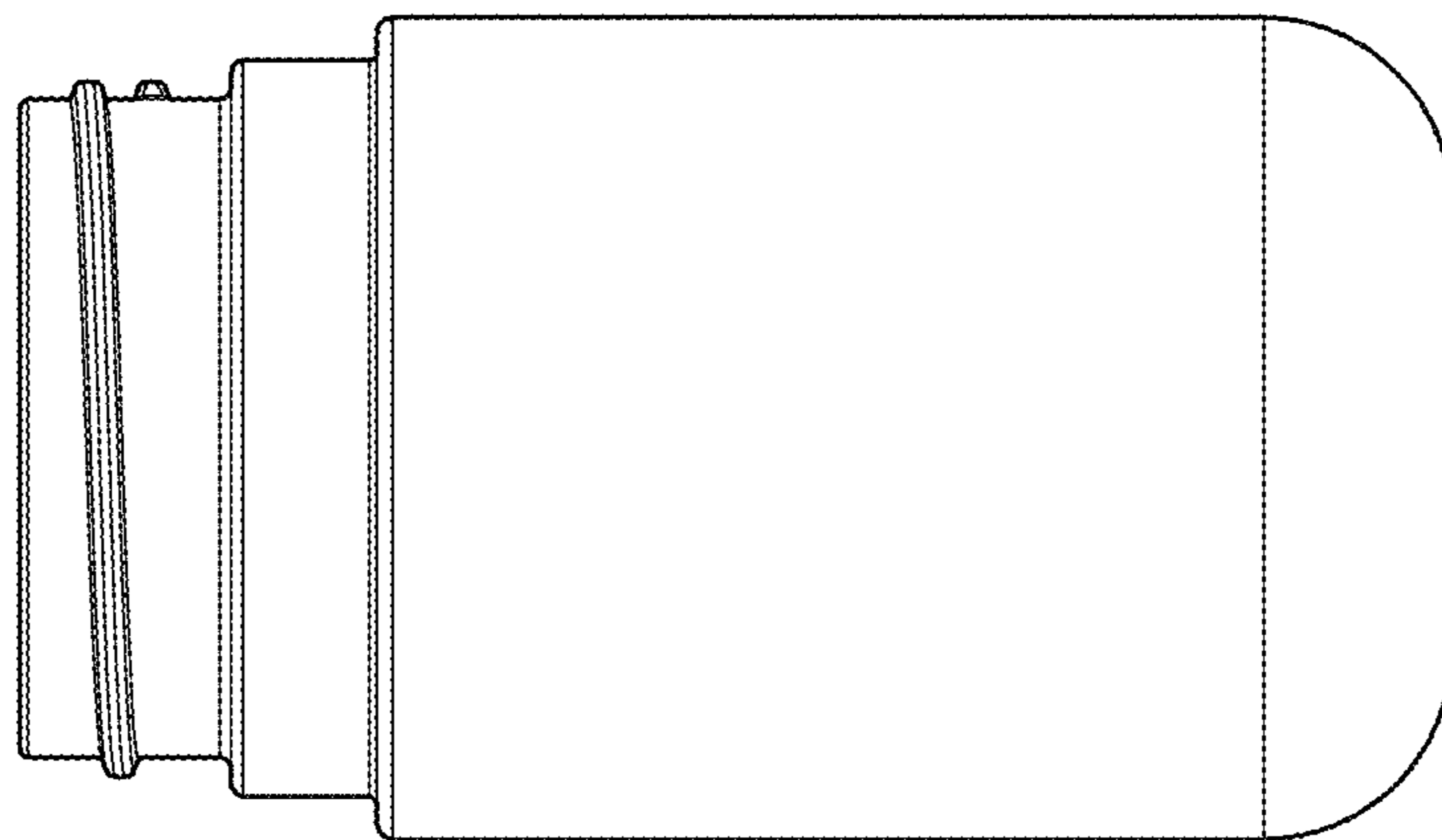


FIG.15

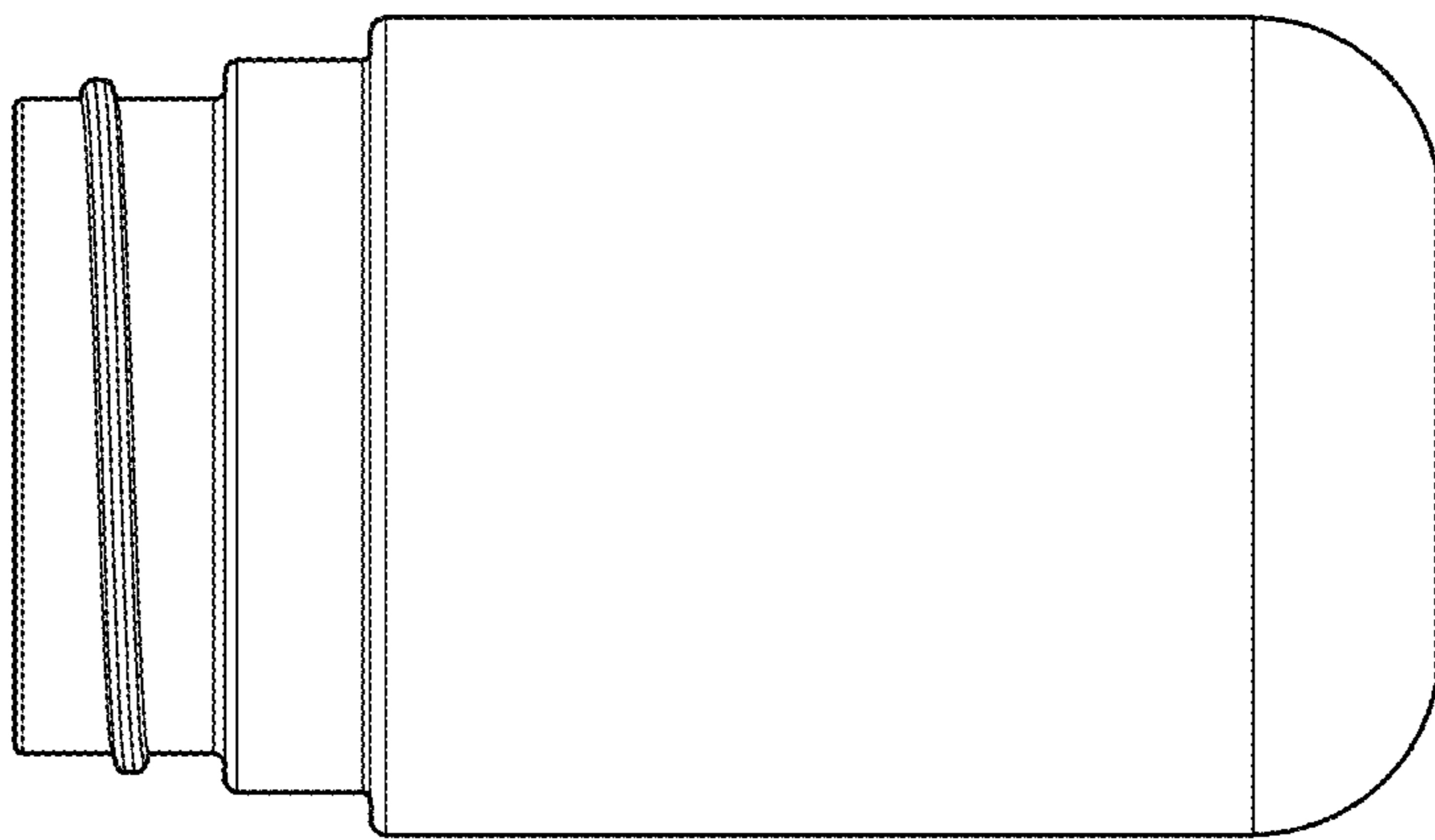


FIG. 17

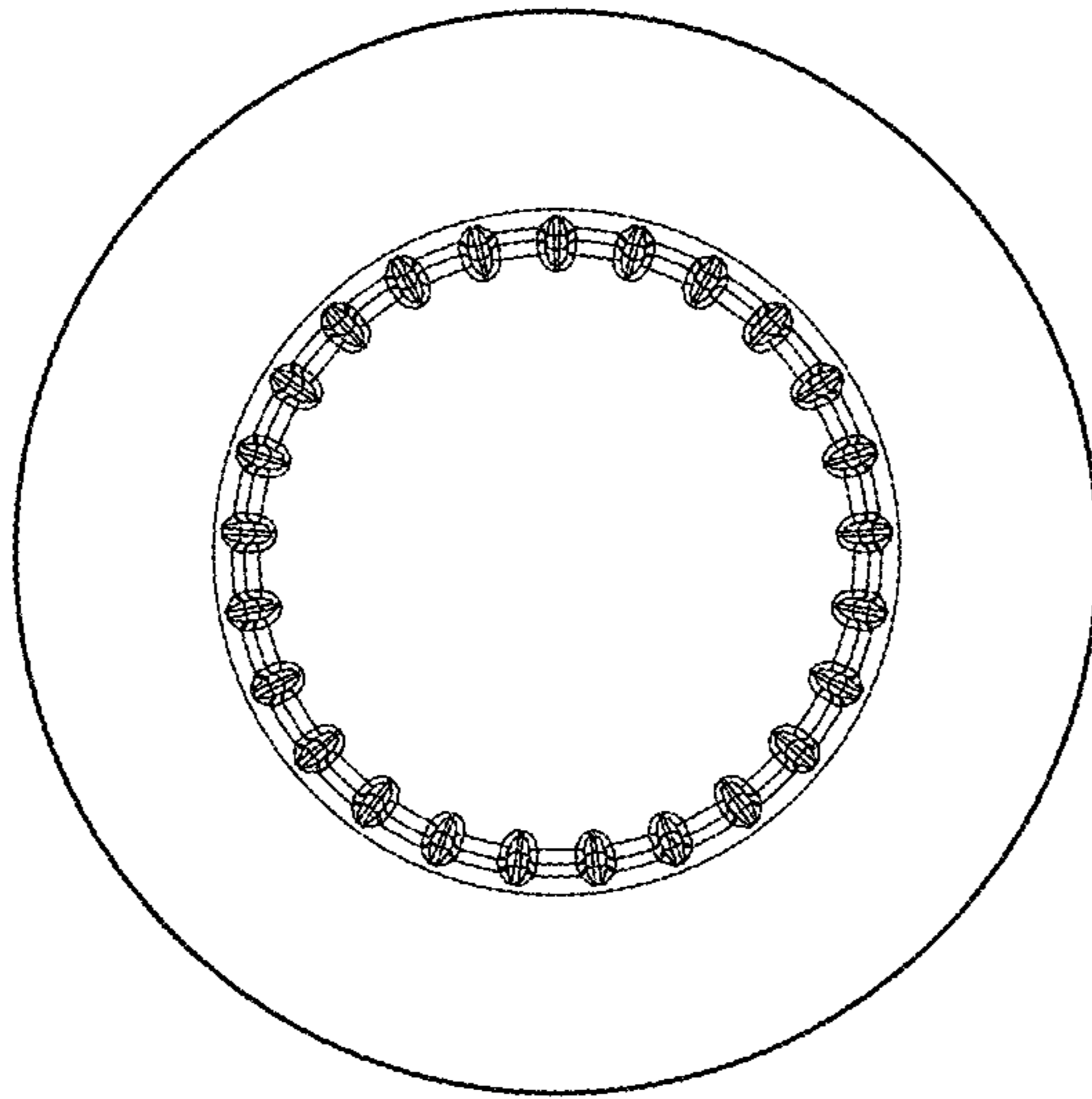


FIG. 18

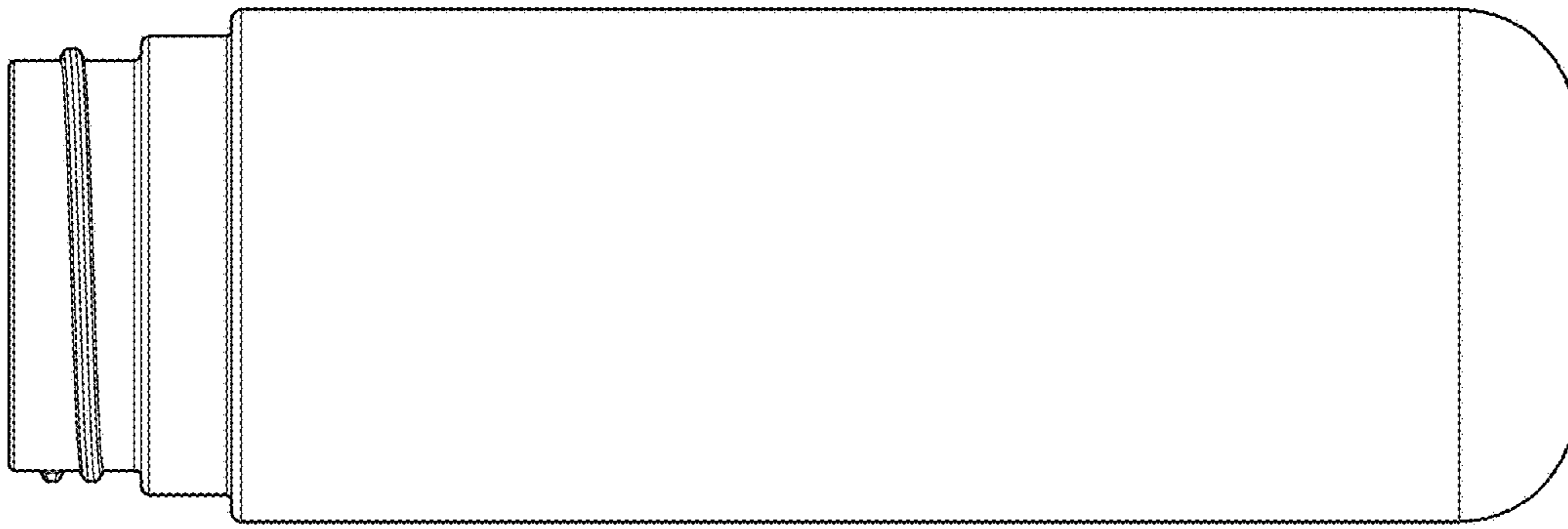


FIG. 20

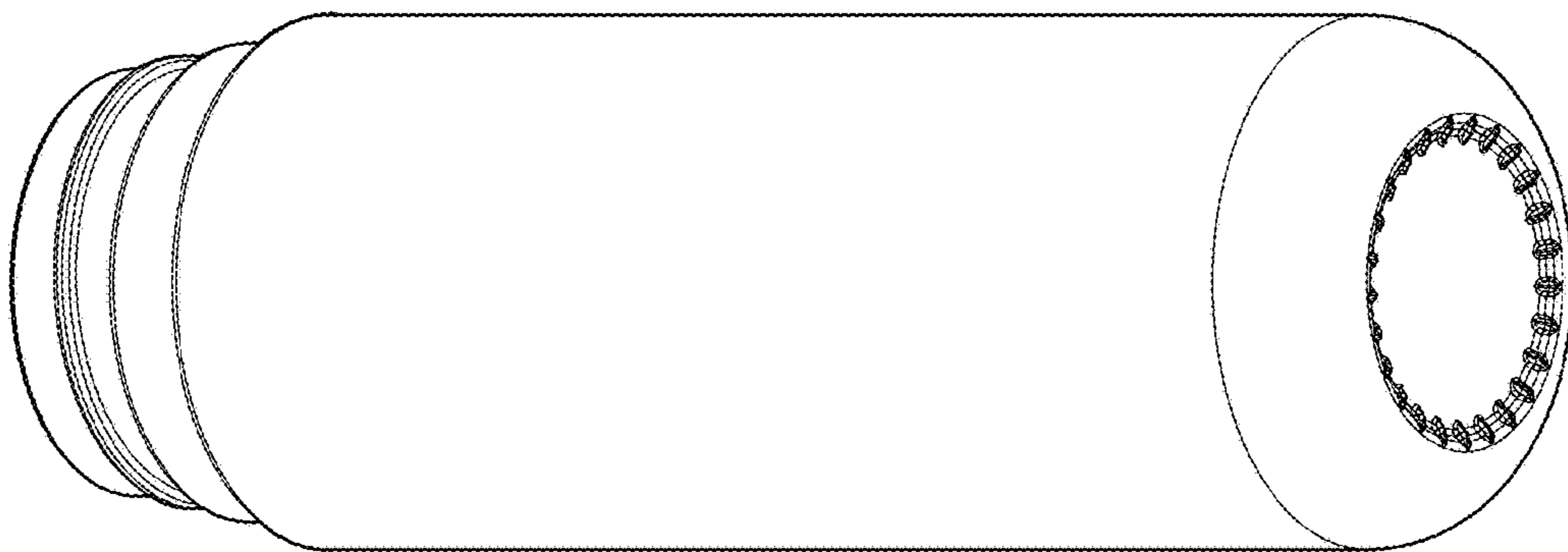


FIG. 19

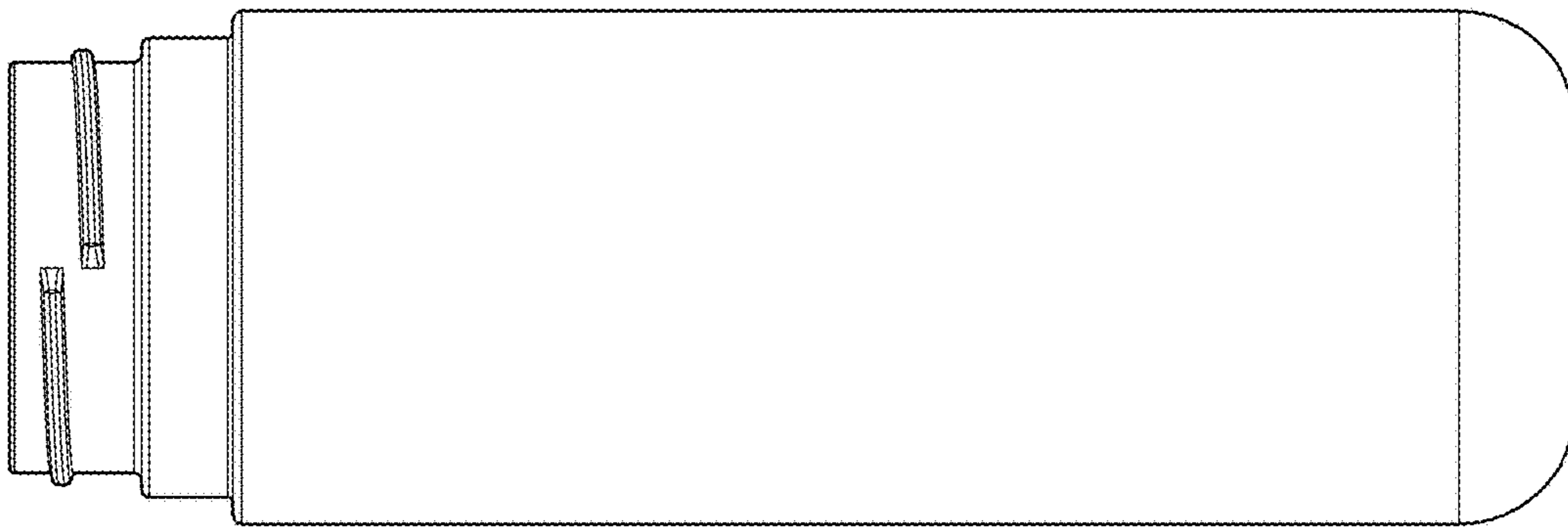


FIG.22

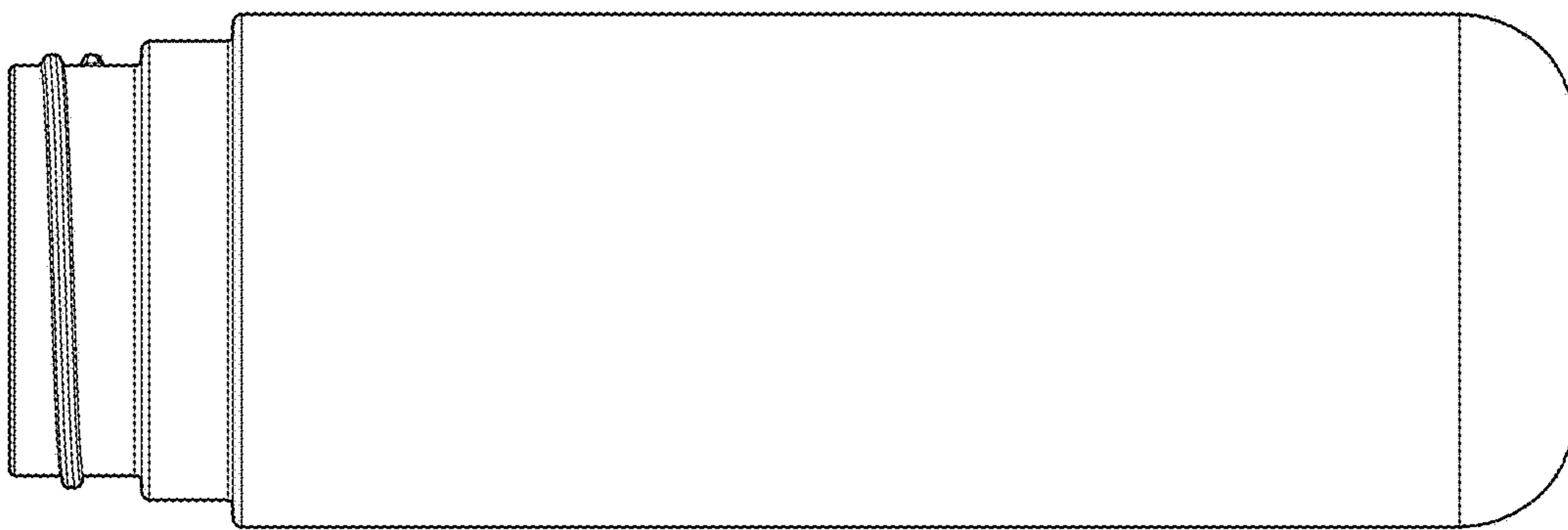


FIG.21

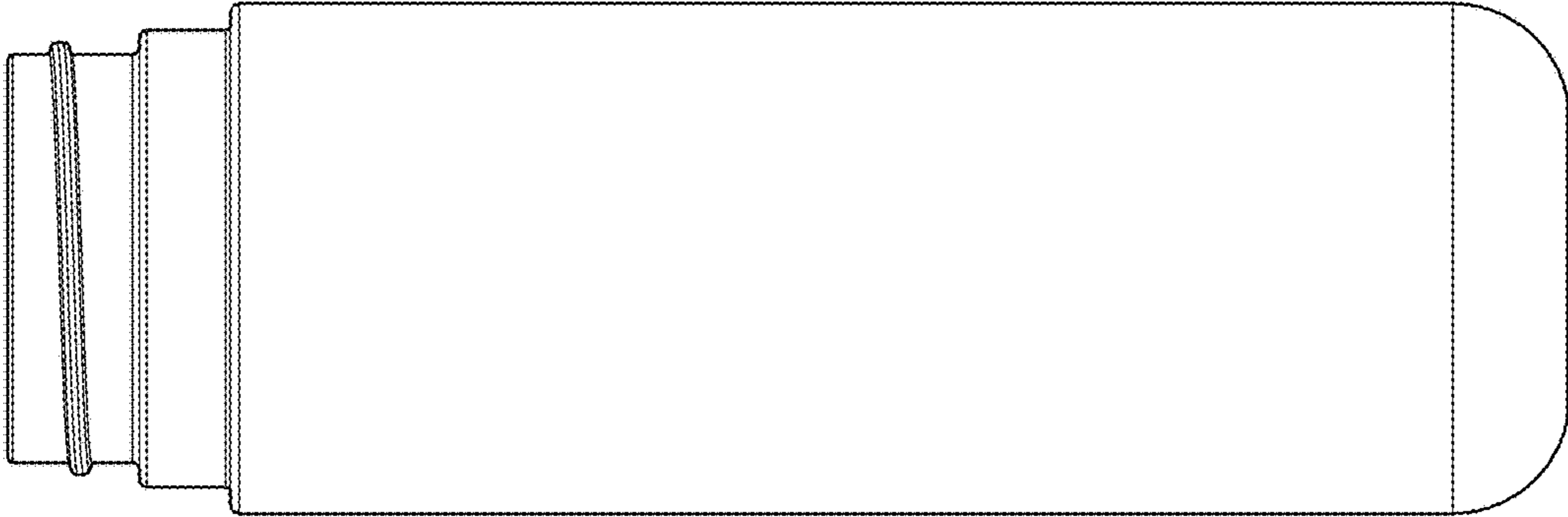


FIG. 23

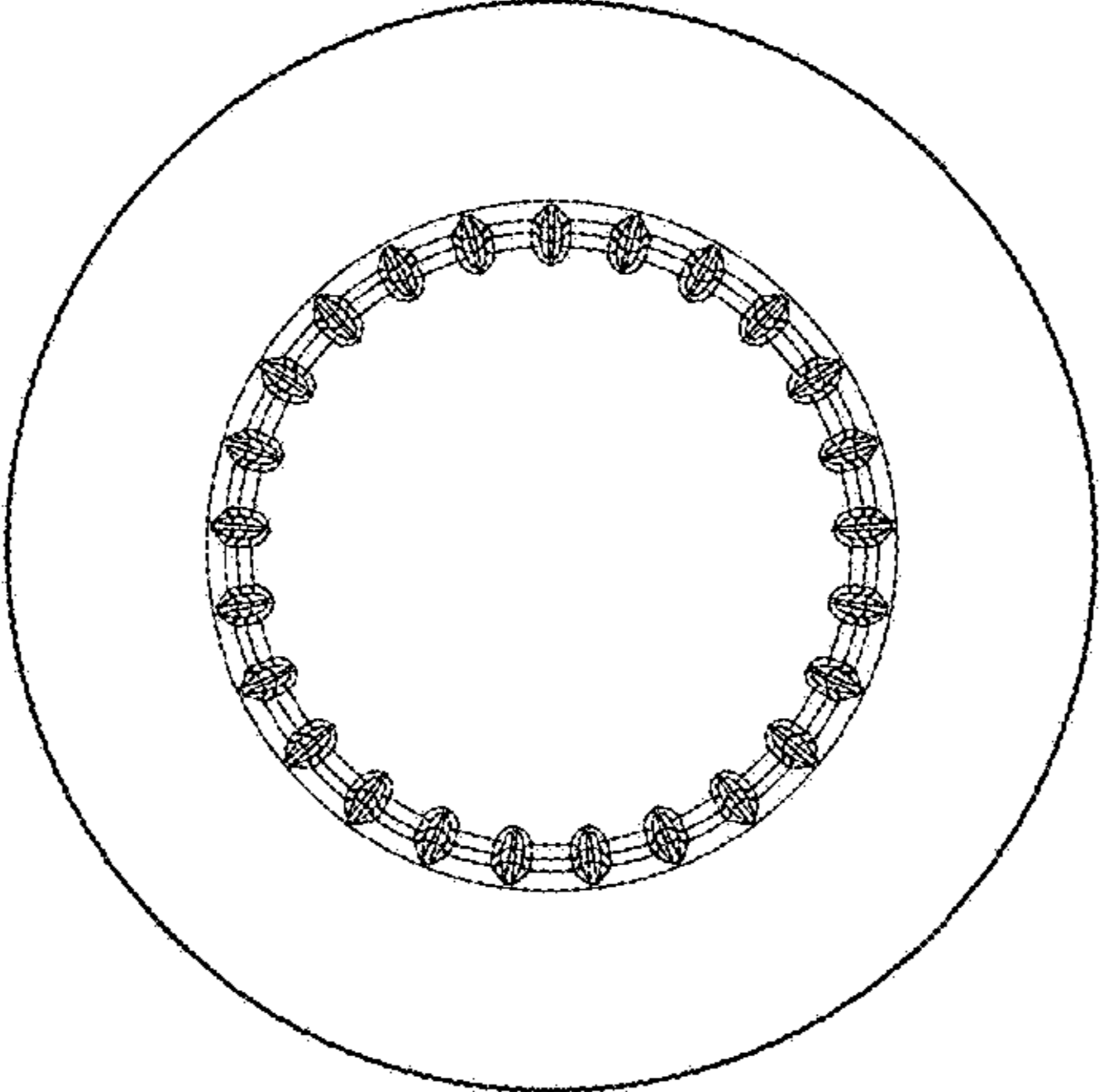


FIG. 24