



US00D842699S

(12) **United States Design Patent**
Tamarindo

(10) **Patent No.:** **US D842,699 S**
(45) **Date of Patent:** **** Mar. 12, 2019**

(54) **SPOUT CAP**
(71) Applicant: **GUALA PACK S.P.A.**, Castellazzo
Bormida, Alessandria (IT)
(72) Inventor: **Stefano Tamarindo**, Alessandria (IT)
(73) Assignee: **GUALA PACK S.p.A.**, Castellazzo
Bormida (IT)
(**) Term: **15 Years**
(21) Appl. No.: **35/502,990**
(22) Filed: **Jan. 25, 2017**

D610,007 S * 2/2010 Baughman D9/454
D682,690 S * 5/2013 Bowes D9/439
D683,580 S * 6/2013 Rosenfeld D7/392
D684,056 S * 6/2013 Kwon D9/452
D684,057 S * 6/2013 Kwon D9/453
D684,058 S * 6/2013 Kwon D9/453
D705,061 S * 5/2014 Jo D9/435

(Continued)

(80) **Hague Agreement Data**

Int. Filing Date: **Jan. 25, 2017**
Int. Reg. No.: **DM/095962**
Int. Reg. Date: **Jan. 25, 2017**
Int. Reg. Pub. Date: **May 19, 2017**

OTHER PUBLICATIONS

Ella's Kitchen, "Ella's Kitchen" Aug. 18, 2011 <https://www.amazon.co.uk/Ellas-Kitchen-Stage-Months-First/dp/B01B8POGNC>.*

(Continued)

(30) **Foreign Application Priority Data**

Jul. 29, 2016 (IT) 402016000080174

(51) **LOC (11) Cl.** **09-07**

(52) **U.S. Cl.**
USPC **D9/454**

(58) **Field of Classification Search**

USPC D9/435, 439, 440, 443, 445, 447, 449,
D9/452, 453, 454, 499, 520, 558, 705,
D9/708, 709, 710; D7/387, 391, 397,
D7/412, 415; D3/202, 273, 275, 294
CPC B65D 2101/00; B65D 33/34; B65D 35/44;
B65D 41/32; B65D 41/34; B65D
41/3409; B65D 41/3423; B65D 41/3428;
B65D 41/3442; B65D 41/3447; B65D
47/06; B65D 2101/0023; B65D
2101/0046

See application file for complete search history.

(56) **References Cited**

U.S. PATENT DOCUMENTS

5,180,073 A * 1/1993 Fay B65D 39/0023
215/261
D547,657 S * 7/2007 Tacchella D9/454

Primary Examiner — Melanie H Tung
Assistant Examiner — Bao-Yen T Nguyen
(74) *Attorney, Agent, or Firm* — Thomas|Horstemeyer,
LLP

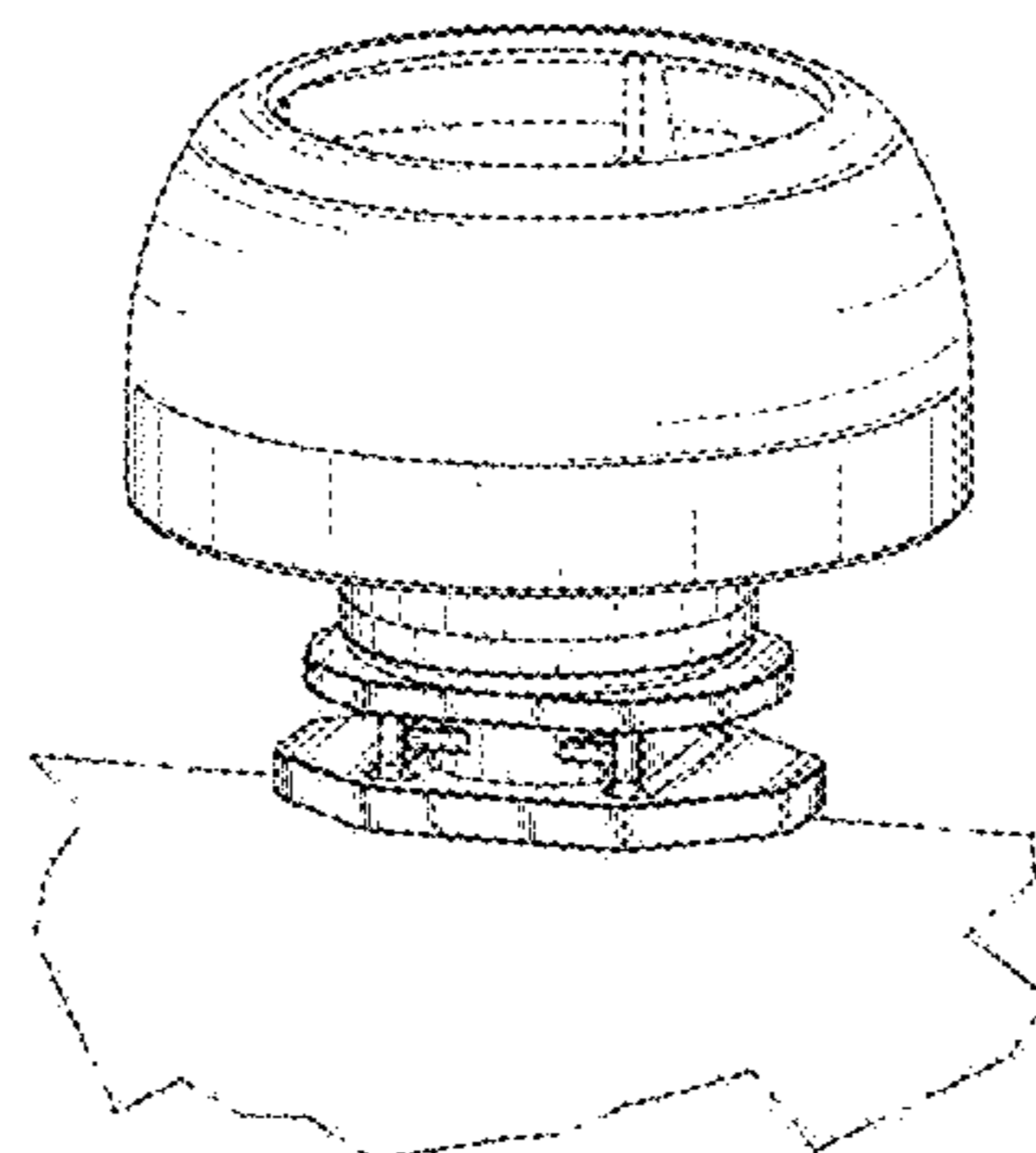
(57) **CLAIM**

The ornamental design for a spout cap, as shown and described.

DESCRIPTION

1.1 is a perspective view of a spout cap of views **1.1-1.5** shown in a closed configuration, showing my new design;
1.2 is a side view of the spout cap of view **1.1**;
1.3 is a side view of the spout cap of view **1.1**, from a different side than **1.2**;
1.4 is a top view of the spout cap of view **1.1**;
1.5 is a bottom view of the spout cap of view **1.1**;
1.6 is a perspective view of a spout cap of views **1.6-1.7** shown in an open configuration; and
1.7 is a side view of the spout cap of view **1.6**.
The broken lines illustrate portions of the spout cap that form no part of the claimed design. The dot-dash broken lines illustrate environment that form no part of the claimed design.

1 Claim, 7 Drawing Sheets



(56)

References Cited

U.S. PATENT DOCUMENTS

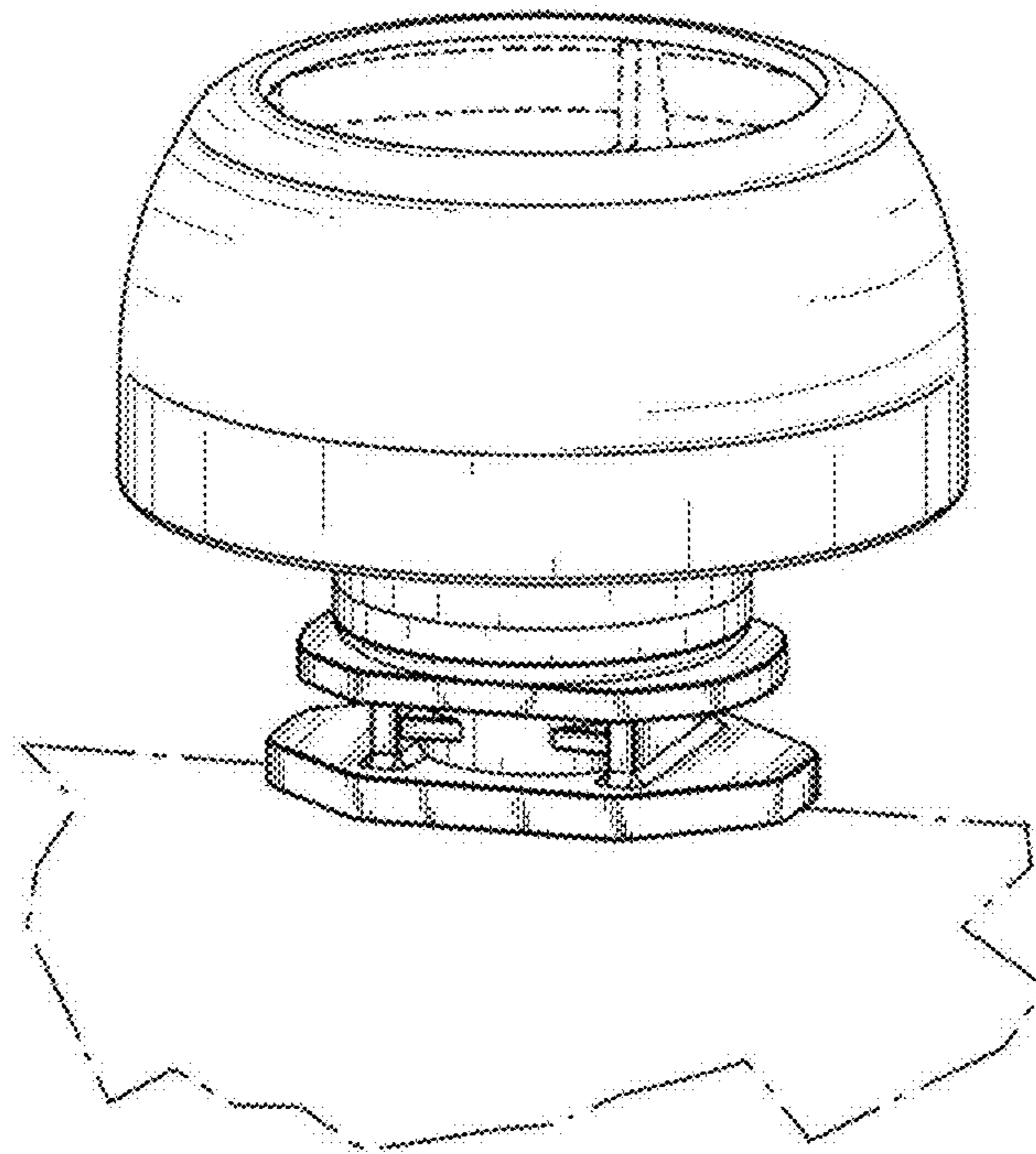
D705,062	S *	5/2014	Jo	D9/435
D712,266	S *	9/2014	Romer	D9/454
D712,744	S *	9/2014	Neputy	D9/454
D713,247	S *	9/2014	Webster	D9/438
D717,650	S *	11/2014	Tamarindo	D9/454
D735,038	S *	7/2015	Tamarindo	D9/454
D748,472	S *	2/2016	Seybel	D9/434
9,309,032	B2 *	4/2016	Berge	B65D 47/122
D796,326	S *	9/2017	Ichikawa	D9/434
9,938,050	B2 *	4/2018	Berge	B65D 41/3428
2009/0223963	A1 *	9/2009	Bisio	B65D 41/3404 220/304
2012/0211460	A1 *	8/2012	Tamarindo	B65D 41/0485 215/228

OTHER PUBLICATIONS

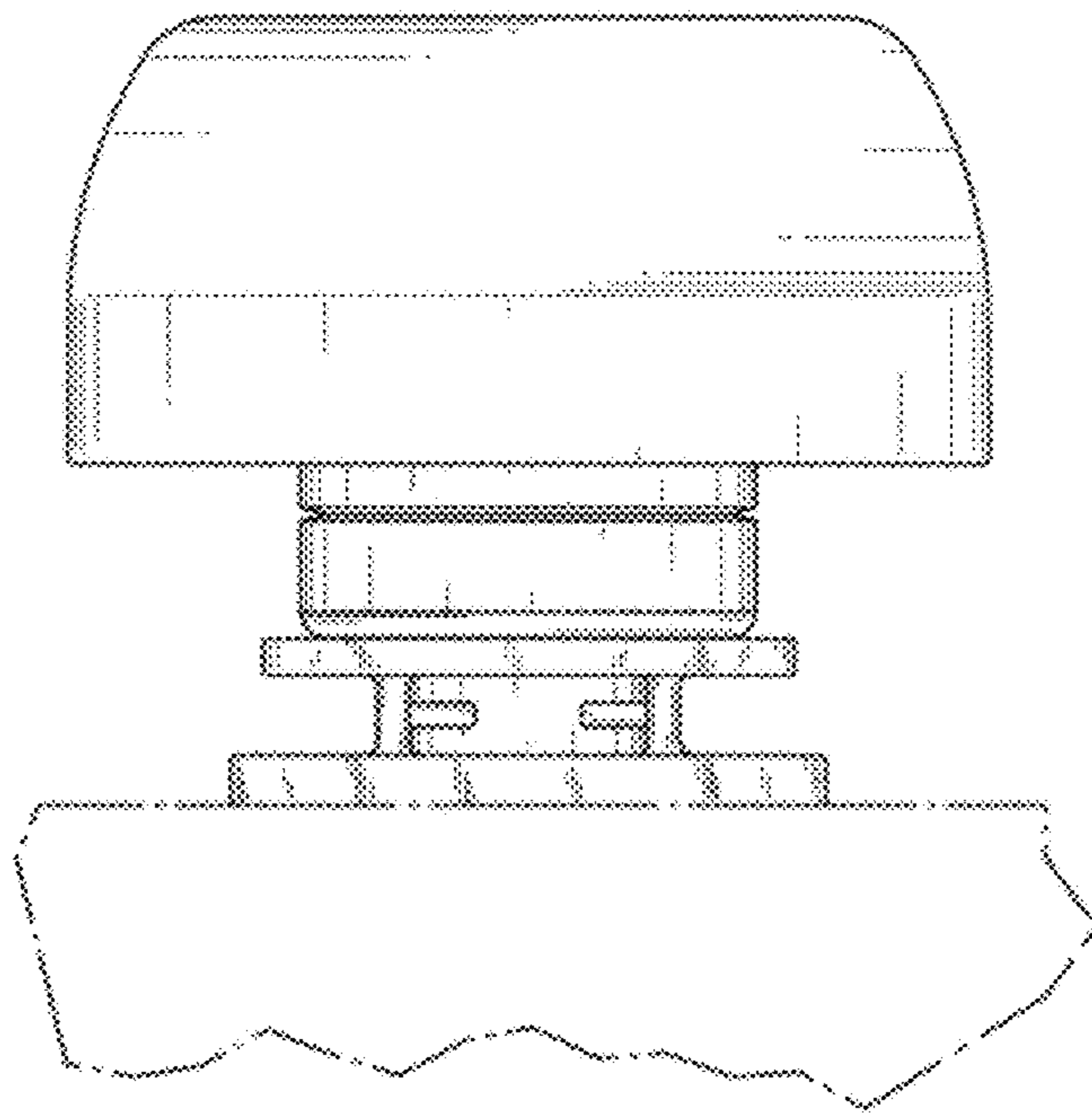
“Plum Organics Stage 2” Jun. 24, 2014 https://www.amazon.com/Plum-Organics-Organic-Variety-Packaging/dp/B00PDN097S/ref=pd_sim_325_7?encoding=UTF8&pd_rd_i=B00PDN097S&pd_rd_r=3ea7a1a4-e9d1-11e8-8ab7-d7d92181ecc1&pd_rd_w=LIQ6R&pd_rd_wg=FqKJq&pf_rd_i=desktop-dp-sims&pf_rd_m=ATVPDKIKX0DER&pf_rd_p=18bb0b78-4200-49b9-ac.*

“Kirkland Signature” May 4, 2016 <https://www.amazon.com/Kirkland-Signature-Organic-Applesauce-Count/dp/B00URXFN4S?th=1>.*
Baby Food Pouches—Ella’s Kitchen. Published Dec. 9, 2011. <https://packagingmama.wordpress.com/tag/organic-baby-food/>.

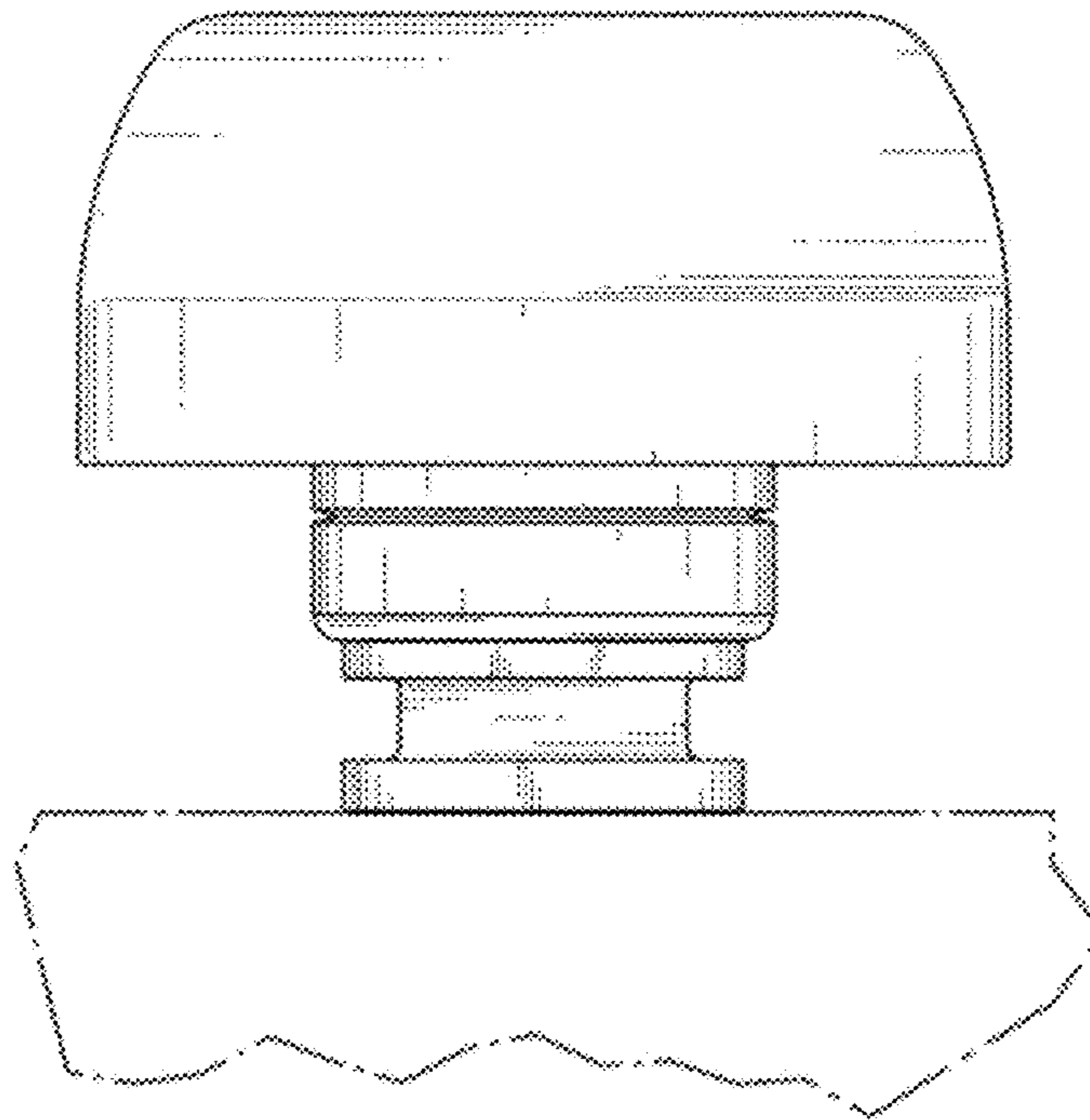
* cited by examiner



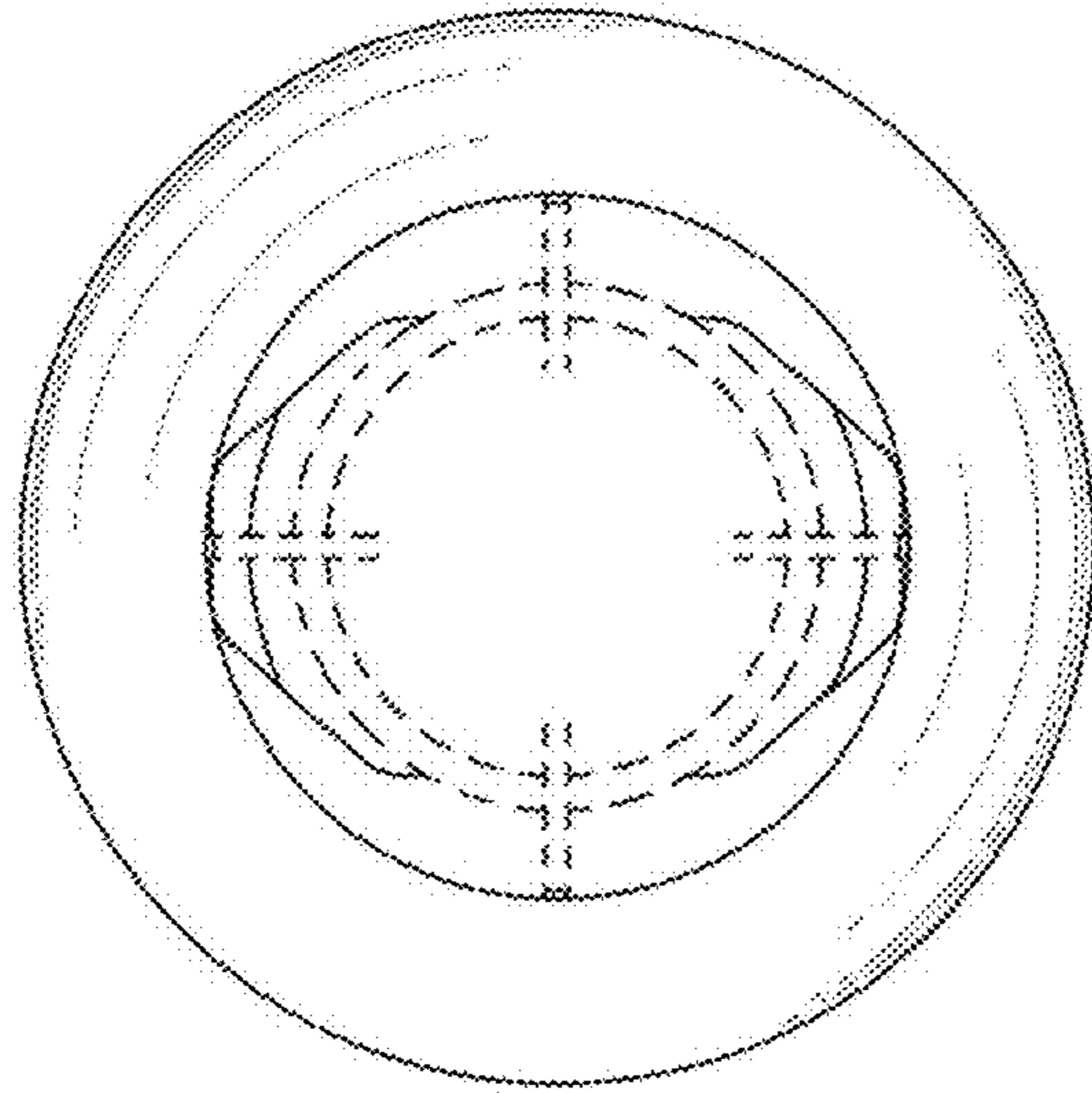
1.1



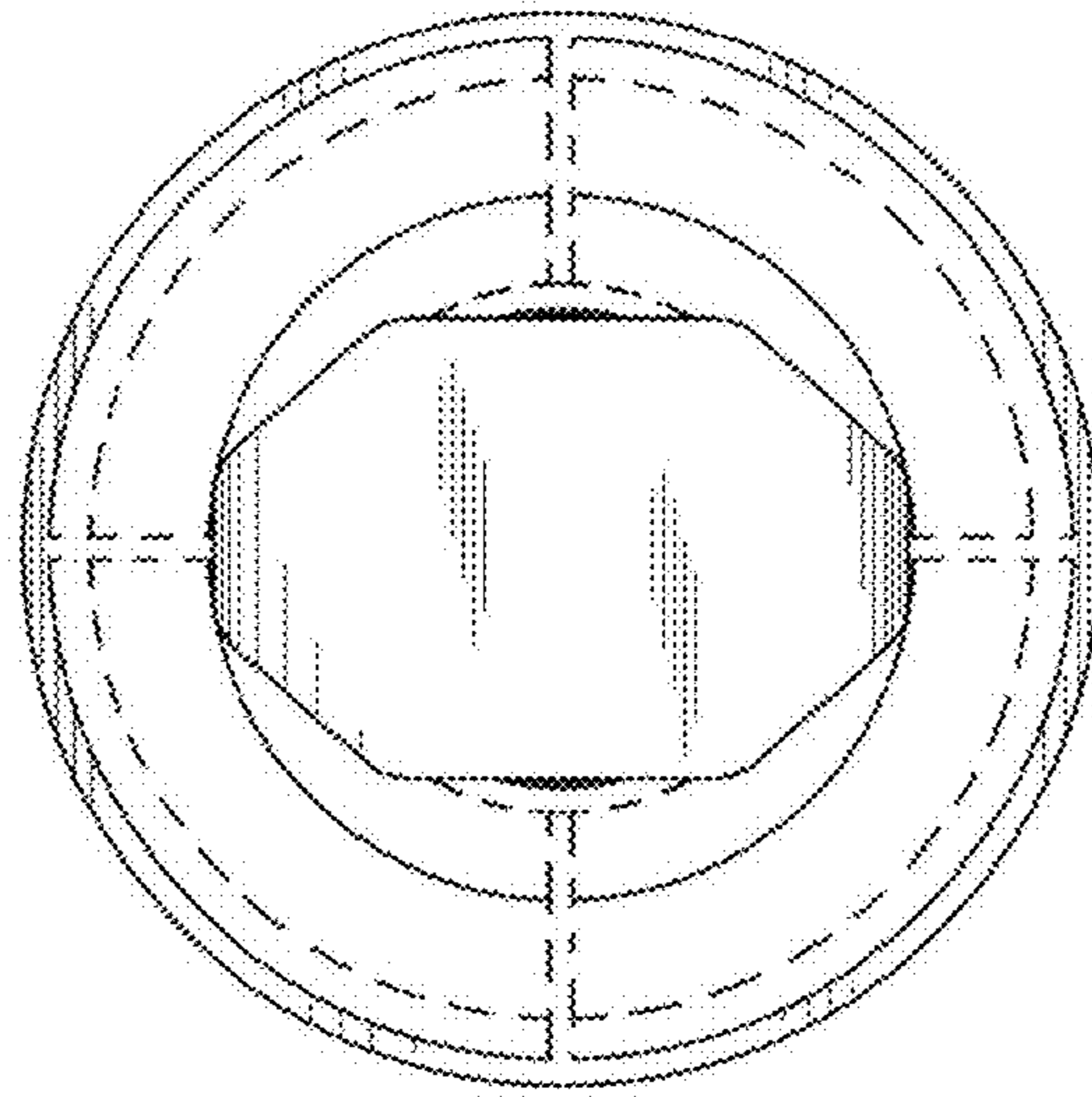
1.2



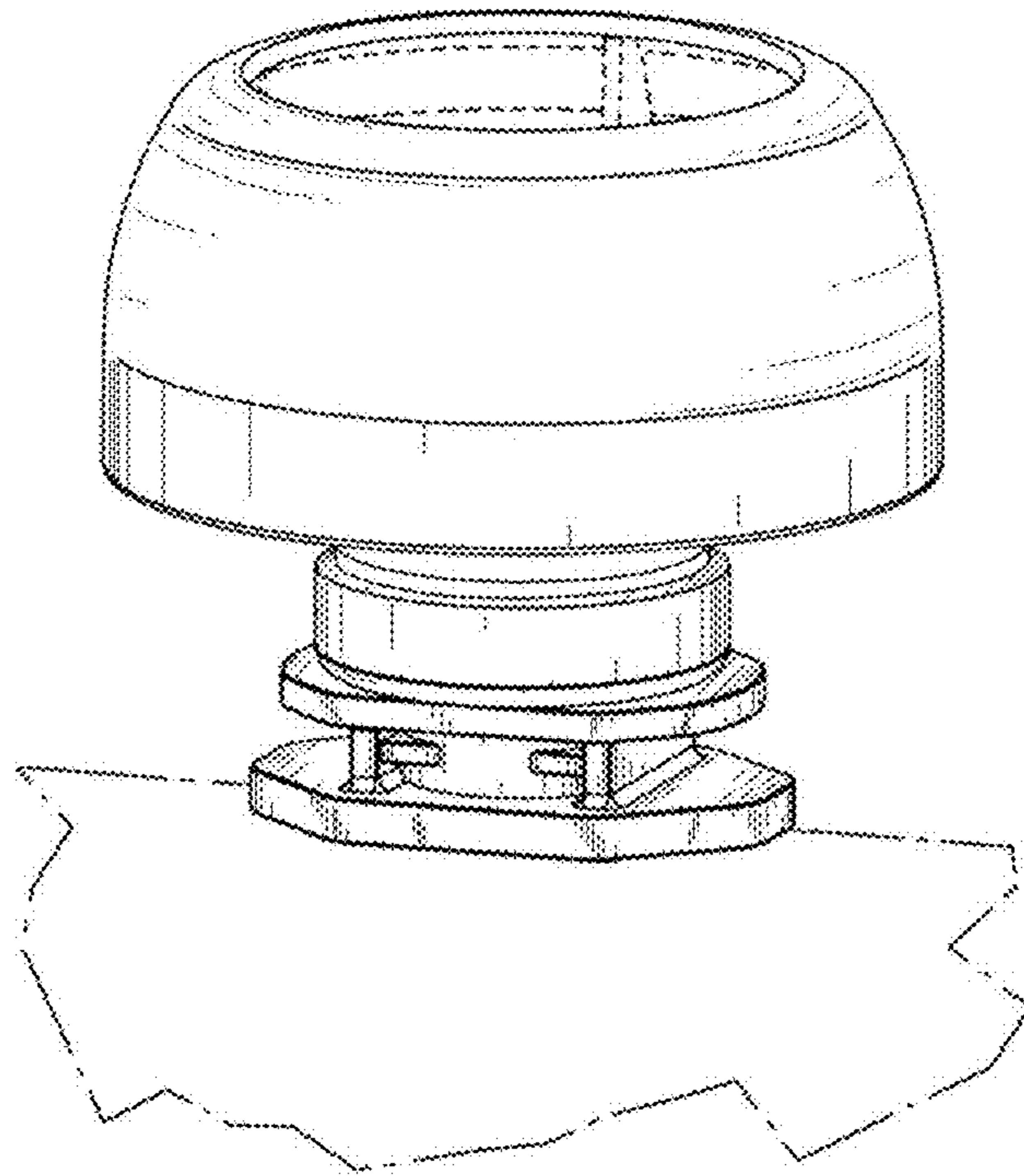
1.3



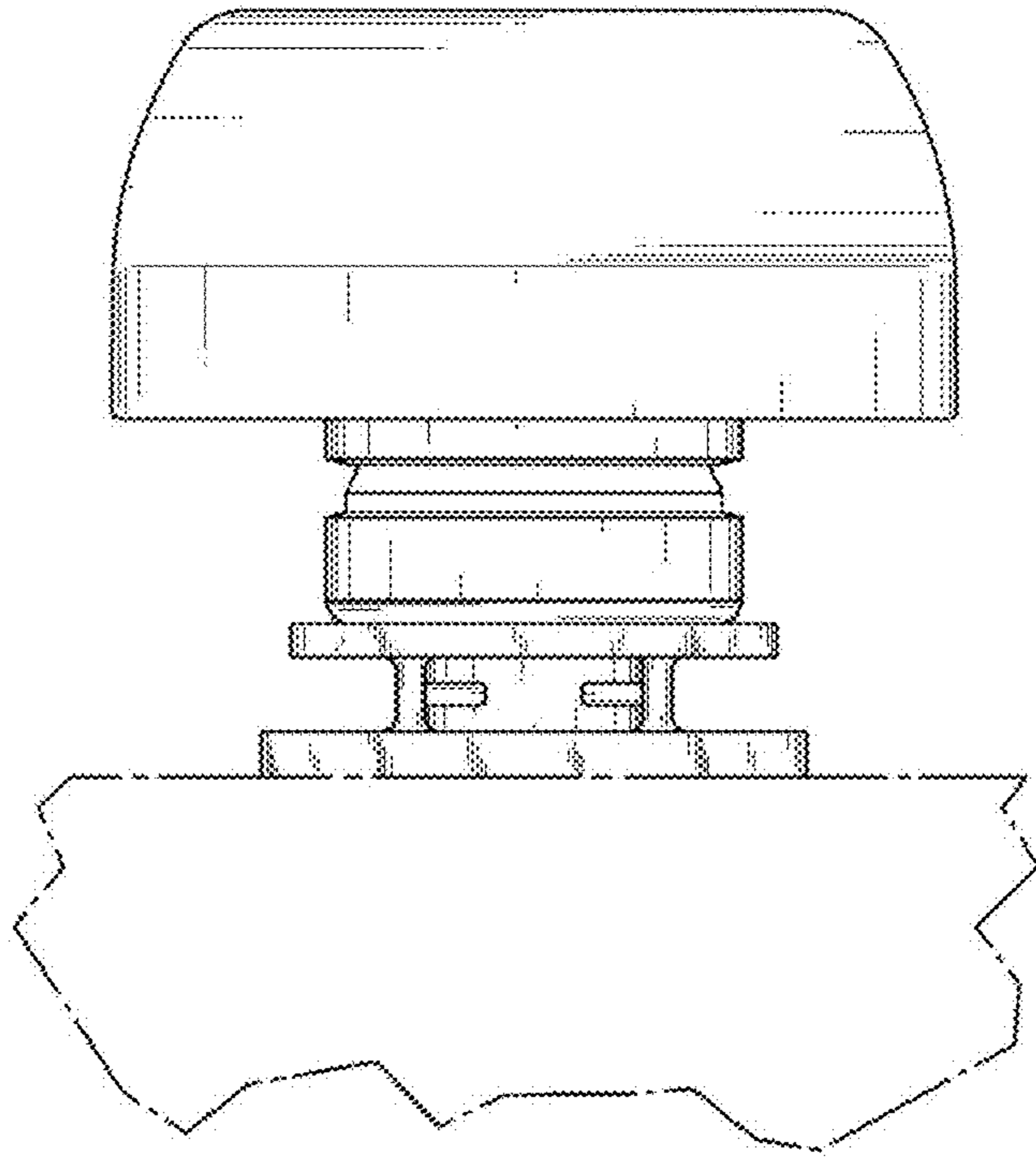
1.4



1.5



1.6



1.7