



US00D842697S

(12) **United States Design Patent**
Fujita et al.

(10) **Patent No.:** **US D842,697 S**
(45) **Date of Patent:** **** Mar. 12, 2019**

(54) **BOTTLE**

FOREIGN PATENT DOCUMENTS

(71) Applicants: **Kao Kabushiki Kaisha**, Chuo-ku, Tokyo (JP); **Yoshino Kogyosho Co., Ltd.**, Koto-ku, Tokyo (JP)

JP 2016-010919 A 1/2016

(72) Inventors: **Naoki Fujita**, Odawara-shi (JP); **Mai Kase**, Tokyo (JP)

OTHER PUBLICATIONS

(73) Assignees: **KAO KABUSHIKI KAISHA**, Chuo-Ku, Tokyo (JP); **YOSHINO KOGYOSHO CO., LTD.**, Koto-Ku, Tokyo (JP)

Amazon. 2100W Internal ventilation Grille Round White. Jan. 14, 2013 [earliest online date], [site visited Feb. 1, 2018]. Available from Internet, <URL:https://www.amazon.co.uk/Internal-Ventilation-Grille-Extractor-Bathroom/dp/B00B0WLL1E>. (Year: 2013).*

(Continued)

(**) Term: **15 Years**

Primary Examiner — George D. Kirschbaum

Assistant Examiner — Darcey E Heflin

(21) Appl. No.: **29/591,394**

(74) *Attorney, Agent, or Firm* — Buchanan Ingersoll & Rooney PC

(22) Filed: **Jan. 19, 2017**

(51) **LOC (11) Cl.** **09-07**

(52) **U.S. Cl.**
USPC **D9/447**

(58) **Field of Classification Search**
USPC D3/202; D7/392, 392.1, 396.2, 511, 601, D7/602, 619.1, 620–622, 624.1; D9/434–436, 438, 440, 443, 447, D9/452–454, 499; D23/260, 261, 269, D23/390, 393, 366
CPC A47J 31/0689; B29C 45/14
See application file for complete search history.

(57) **CLAIM**

The ornamental design for a bottle, as shown and described.

DESCRIPTION

(56) **References Cited**

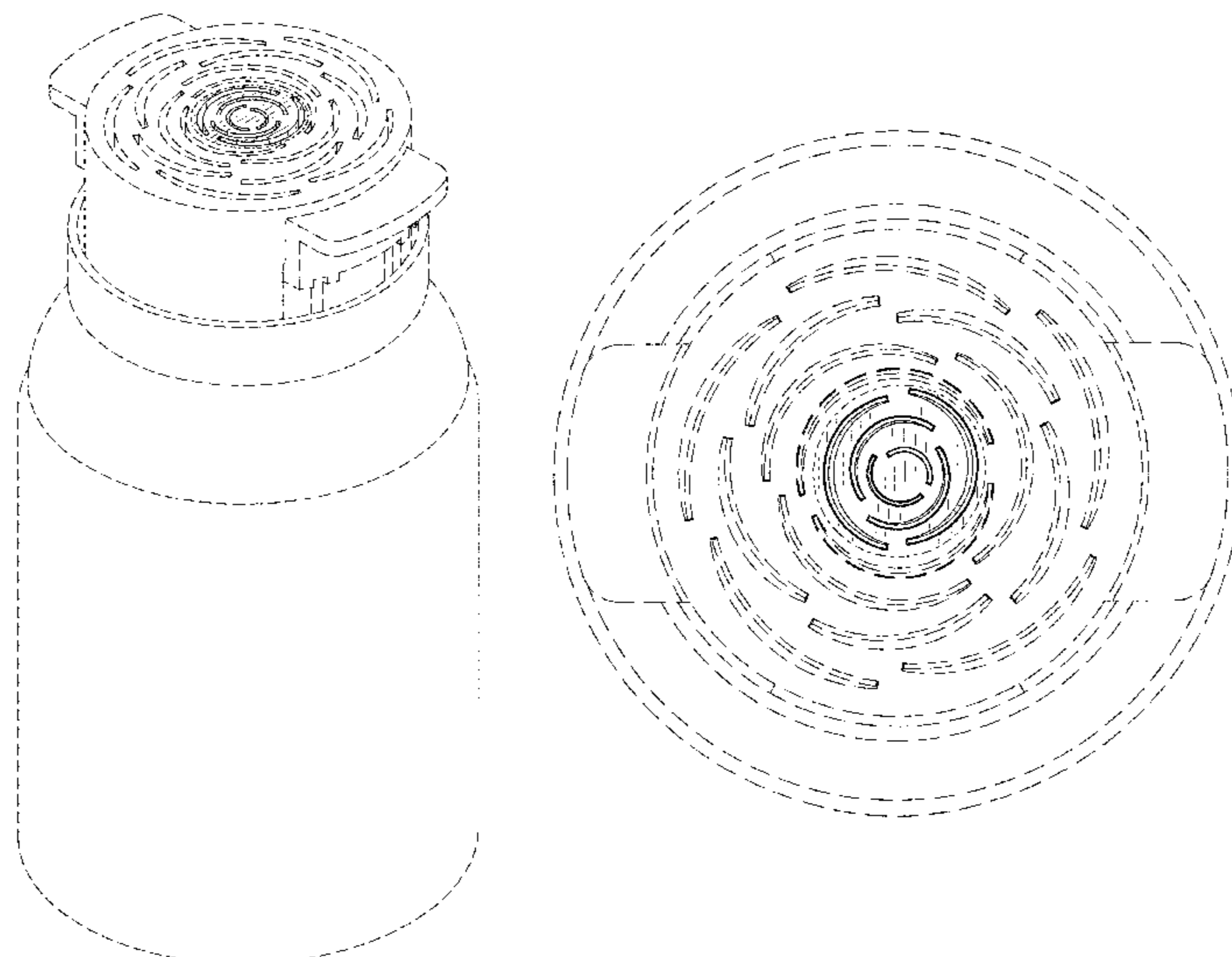
U.S. PATENT DOCUMENTS

D131,965 S *	4/1942	Poglein	D7/540
D275,636 S *	9/1984	Picozza	D7/392.1
D319,979 S *	9/1991	Johnson	D9/434
D408,736 S *	4/1999	Wilson	D9/447
D441,441 S *	5/2001	Upton	D23/366
D491,257 S *	6/2004	Picken, Jr.	D23/366
D517,175 S *	3/2006	Holsen	D23/261
D530,623 S *	10/2006	Shurtleff	D9/728

(Continued)

FIG. 1 is a front, right side, bottom perspective view of a bottle showing our new design.
FIG. 2 is a front elevational view thereof.
FIG. 3 is a rear elevational view thereof.
FIG. 4 is a left side view thereof.
FIG. 5 is a right side view thereof.
FIG. 6 is a top plan view thereof.
FIG. 7 is a bottom plan view thereof.
FIG. 8 is an enlarged cross-sectional view thereof, taken in the directions 8-8 and 8'-8' of FIG. 5, with the internal mechanism is omitted; and,
FIG. 9 is an enlarged view of FIG. 1.
In the drawings, the evenly spaced broken lines showing portions of a bottle depict environment and form no part of the claimed design.
The dash-dot-dash lines illustrate a boundary between claimed portions and unclaimed portions of the design.

1 Claim, 7 Drawing Sheets



(56)

References Cited

U.S. PATENT DOCUMENTS

D559,628	S	*	1/2008	Chiang	D7/601
D574,239	S	*	8/2008	Lin	D9/447
D599,444	S	*	9/2009	Jones	D23/261
D695,612	S	*	12/2013	Chou	D9/447
D724,702	S	*	3/2015	D'Amico	D23/261
D725,751	S	*	3/2015	Luo	D23/260
D738,691	S	*	9/2015	Williams	D7/624.1
D745,642	S	*	12/2015	Luo	D23/260
D772,019	S	*	11/2016	Williams	D7/624.1
D781,663	S	*	3/2017	Williams	D7/624.1
9,752,306	B2	*	9/2017	Scamuffa	E03C 1/26
2006/0198064	A1	*	9/2006	Chiang	A47F 7/0078 361/23

OTHER PUBLICATIONS

Evoked. This cult cleanser dispenser is the prettiest thing you'll see all day—Niamh Campbell. Aug. 25, 2016 [earliest online date], [site visited Feb. 8, 2018]. Available from Internet, <URL:https://evoked.ie/2016/08/25/style/beauty-buzz/cleanser-foam-rose-shape>. (Year: 2016).*

* cited by examiner

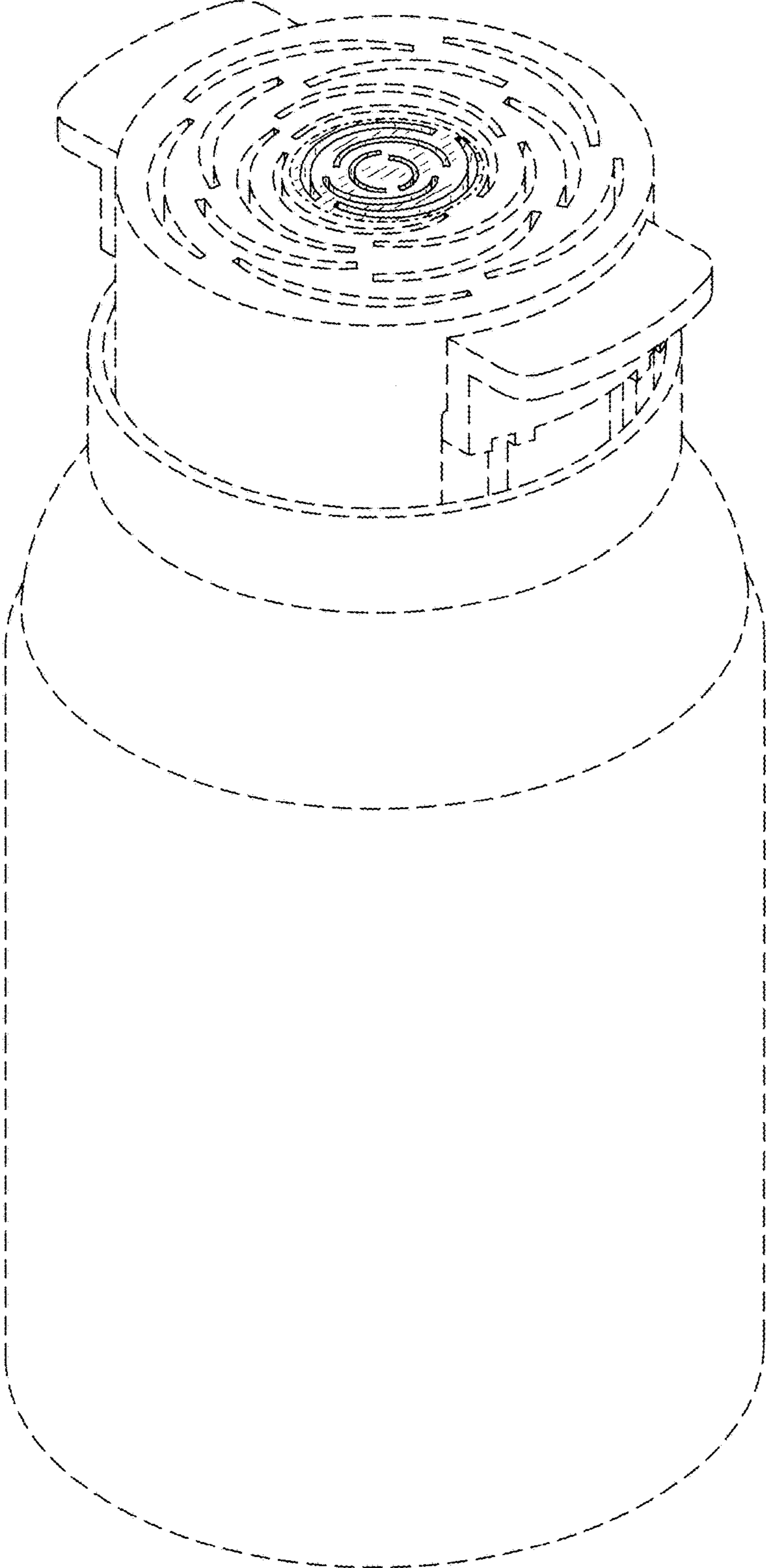


FIG. 1

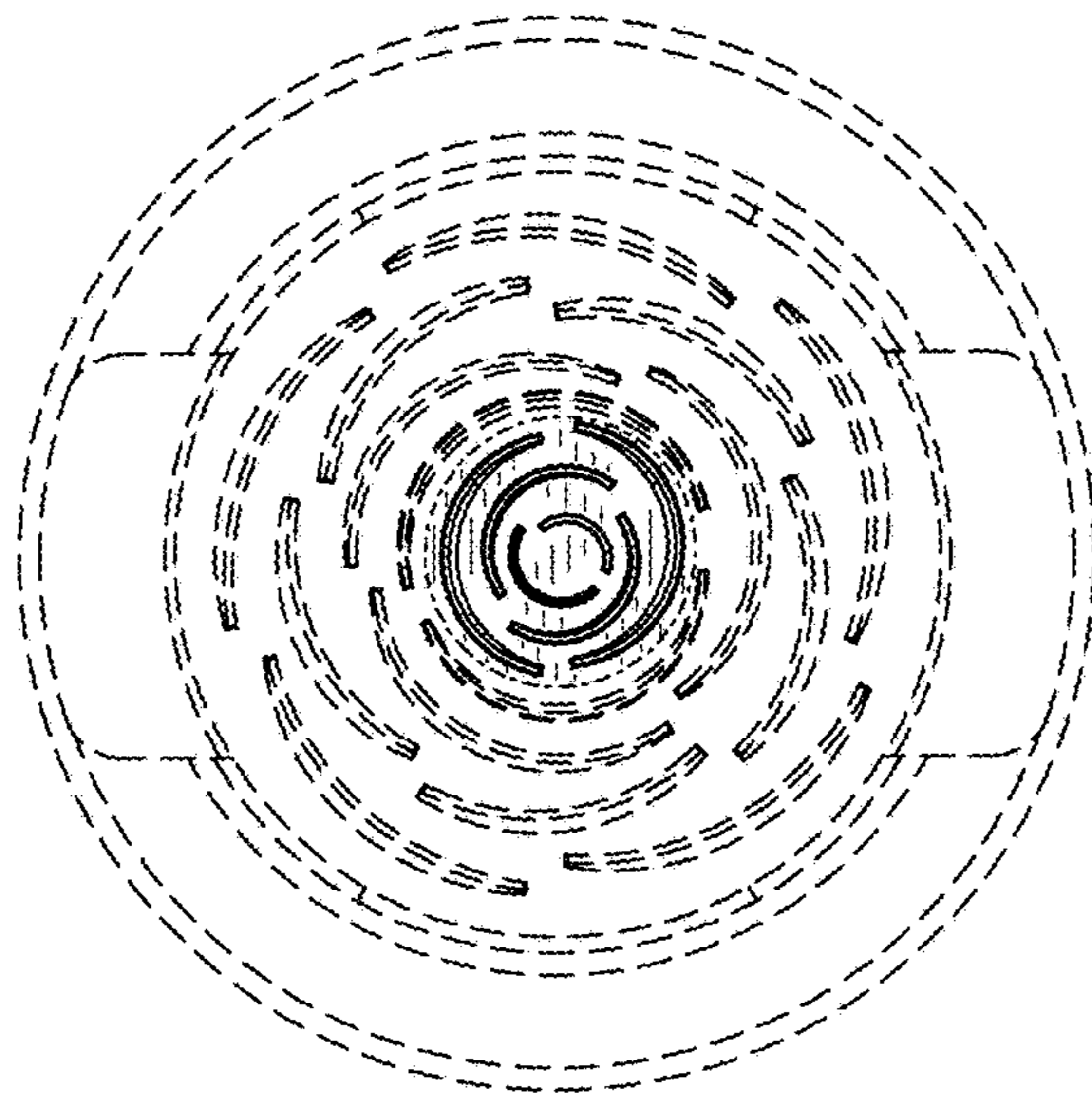


FIG. 2

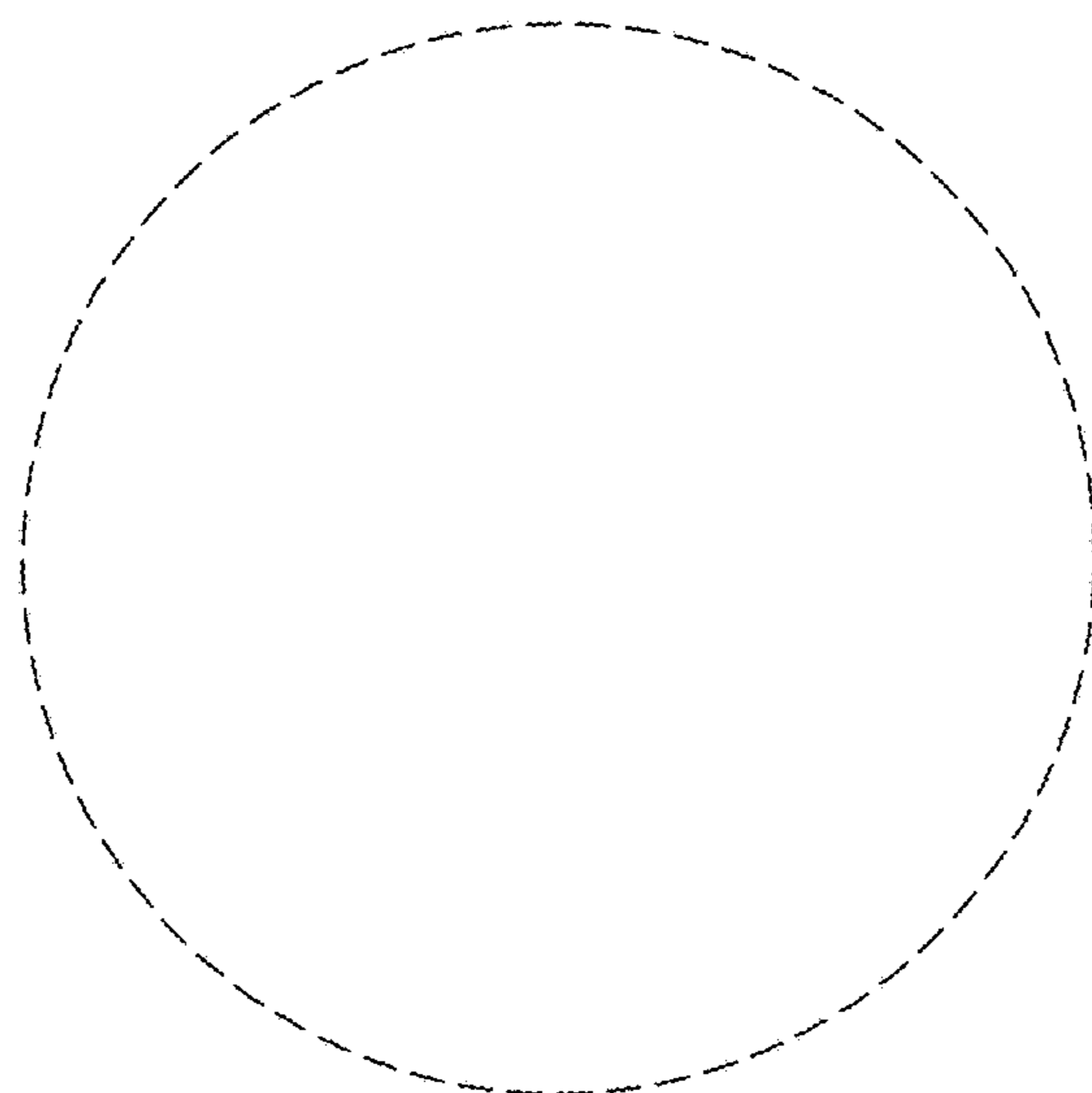


FIG. 3

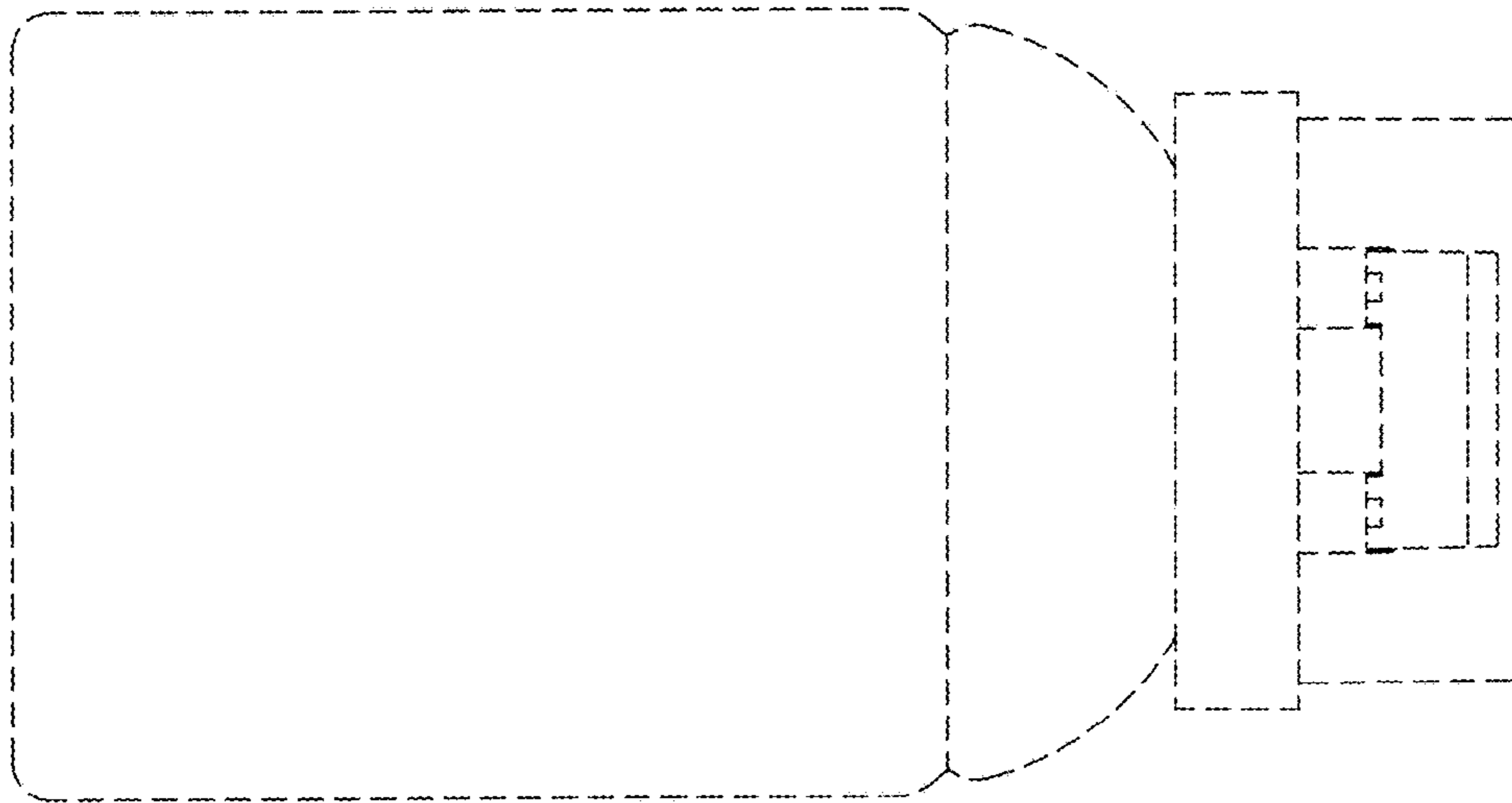


FIG. 4

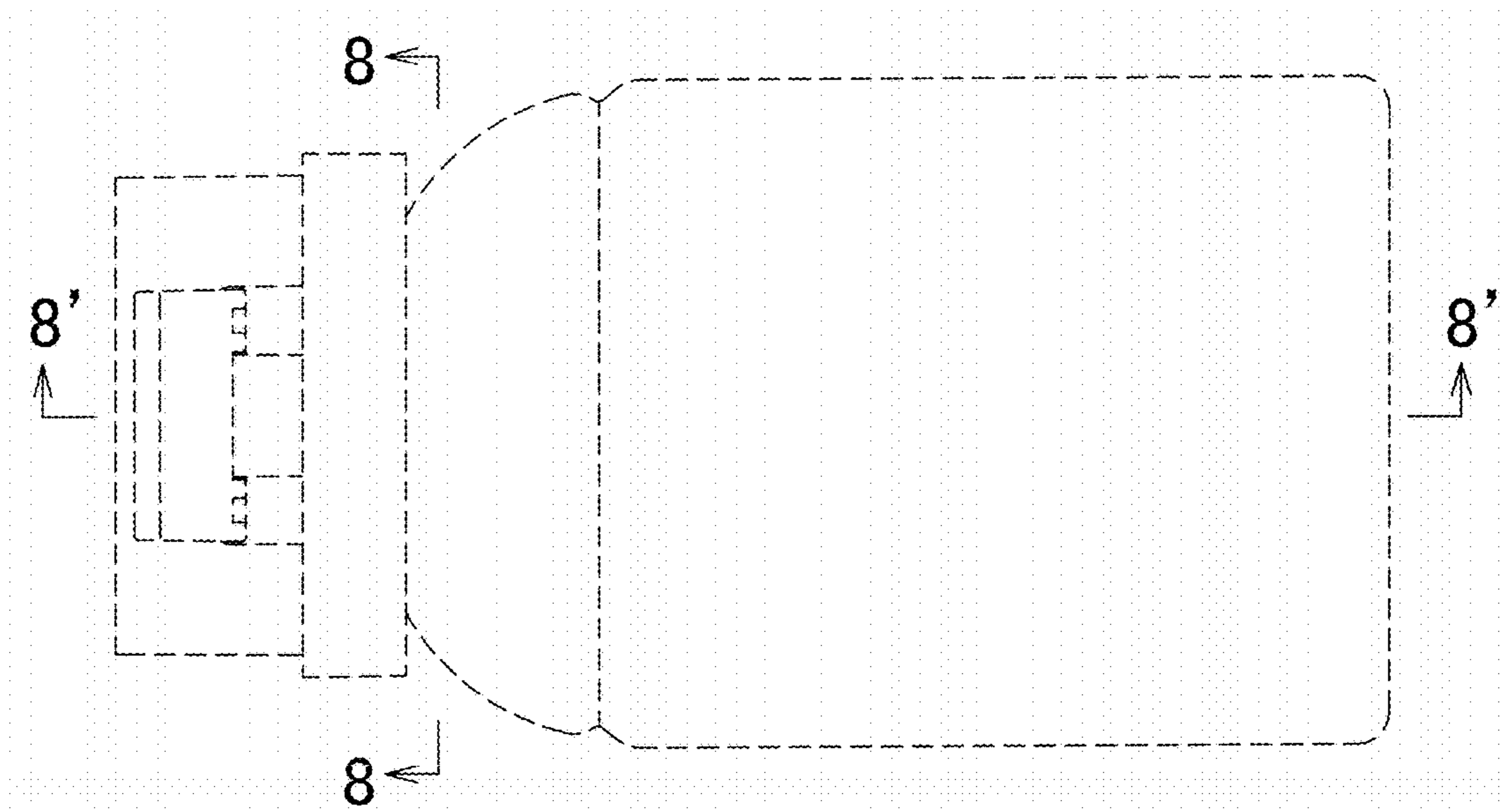


FIG. 5

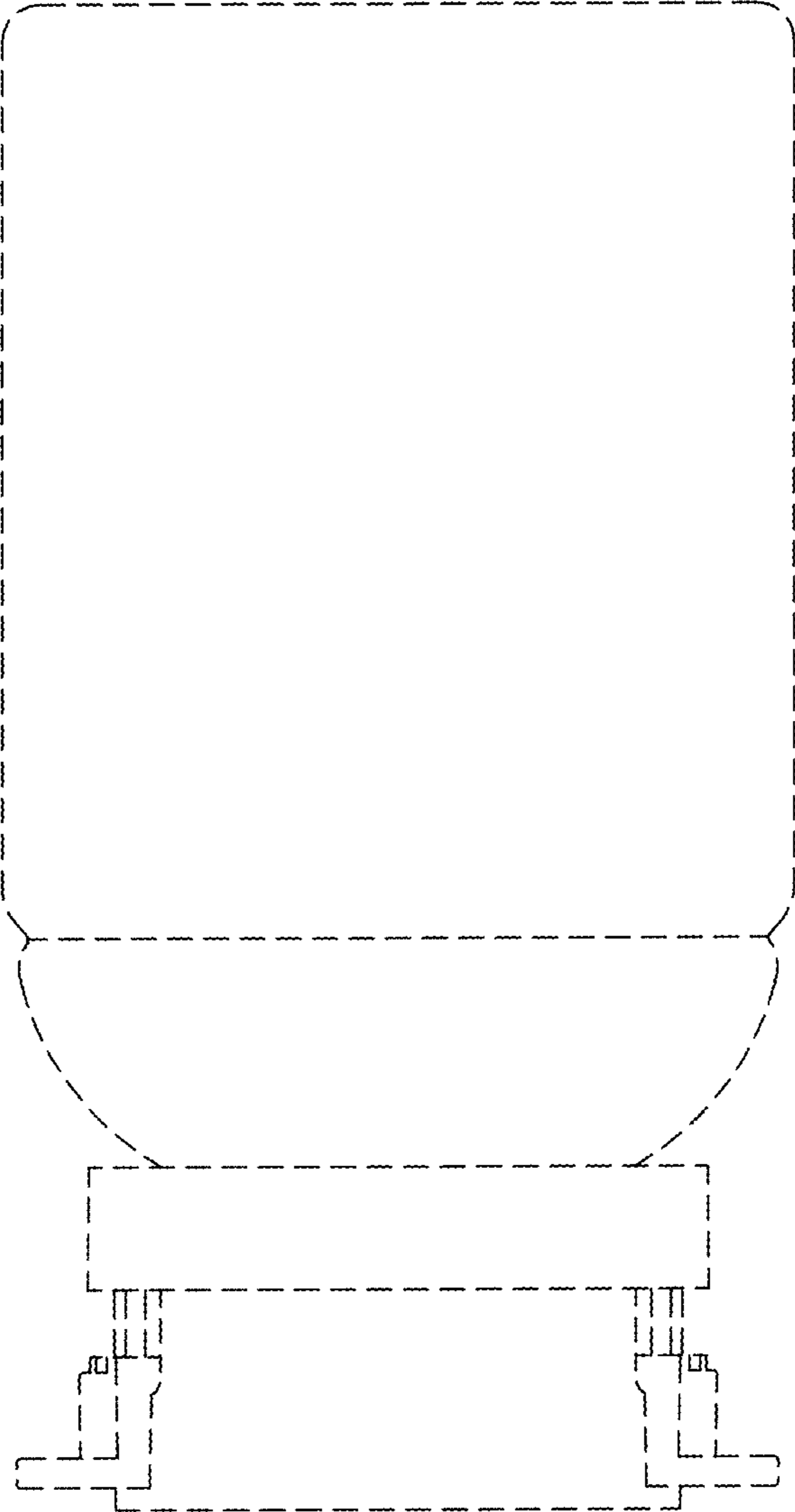


FIG. 6

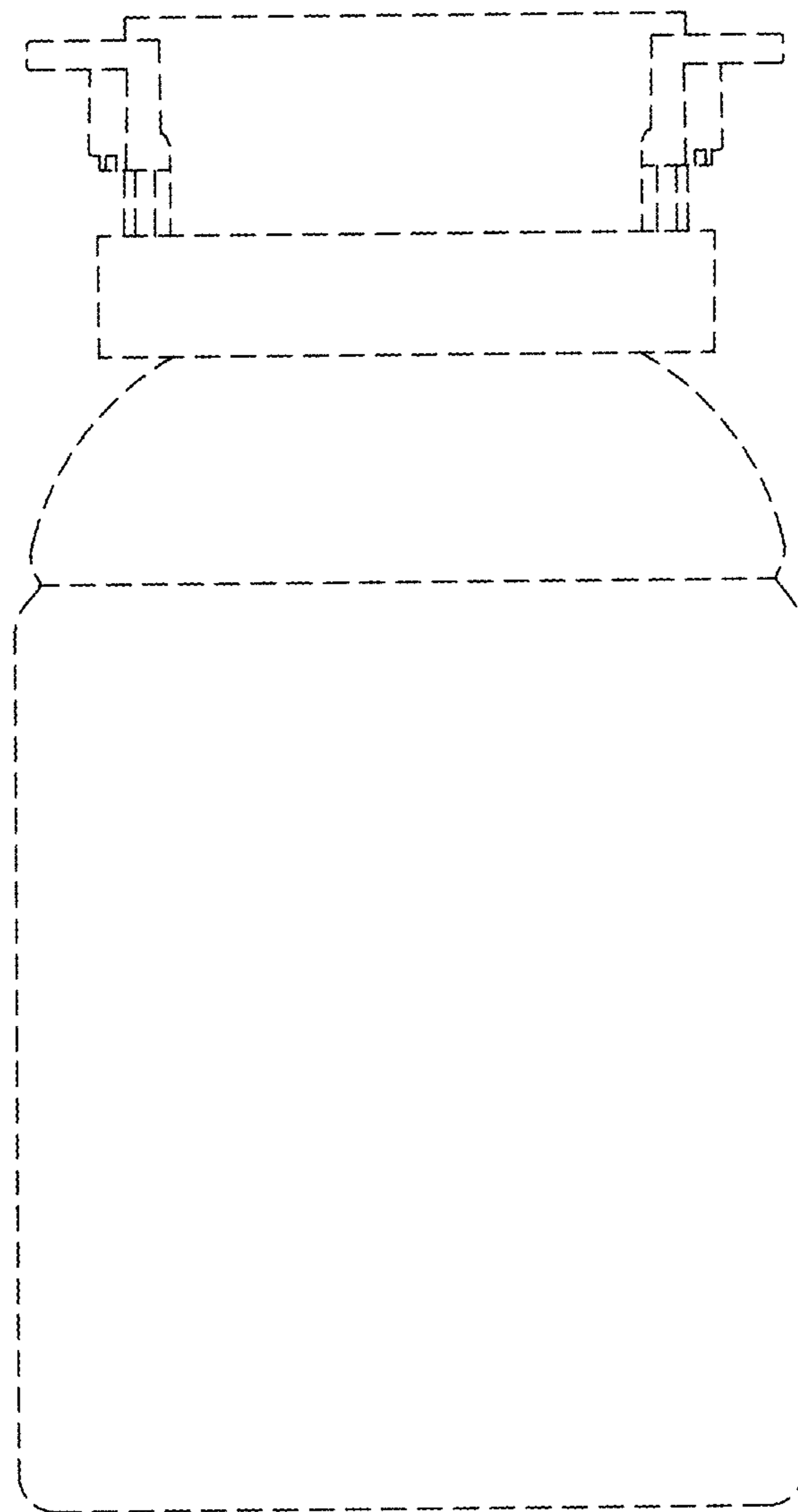


FIG. 7

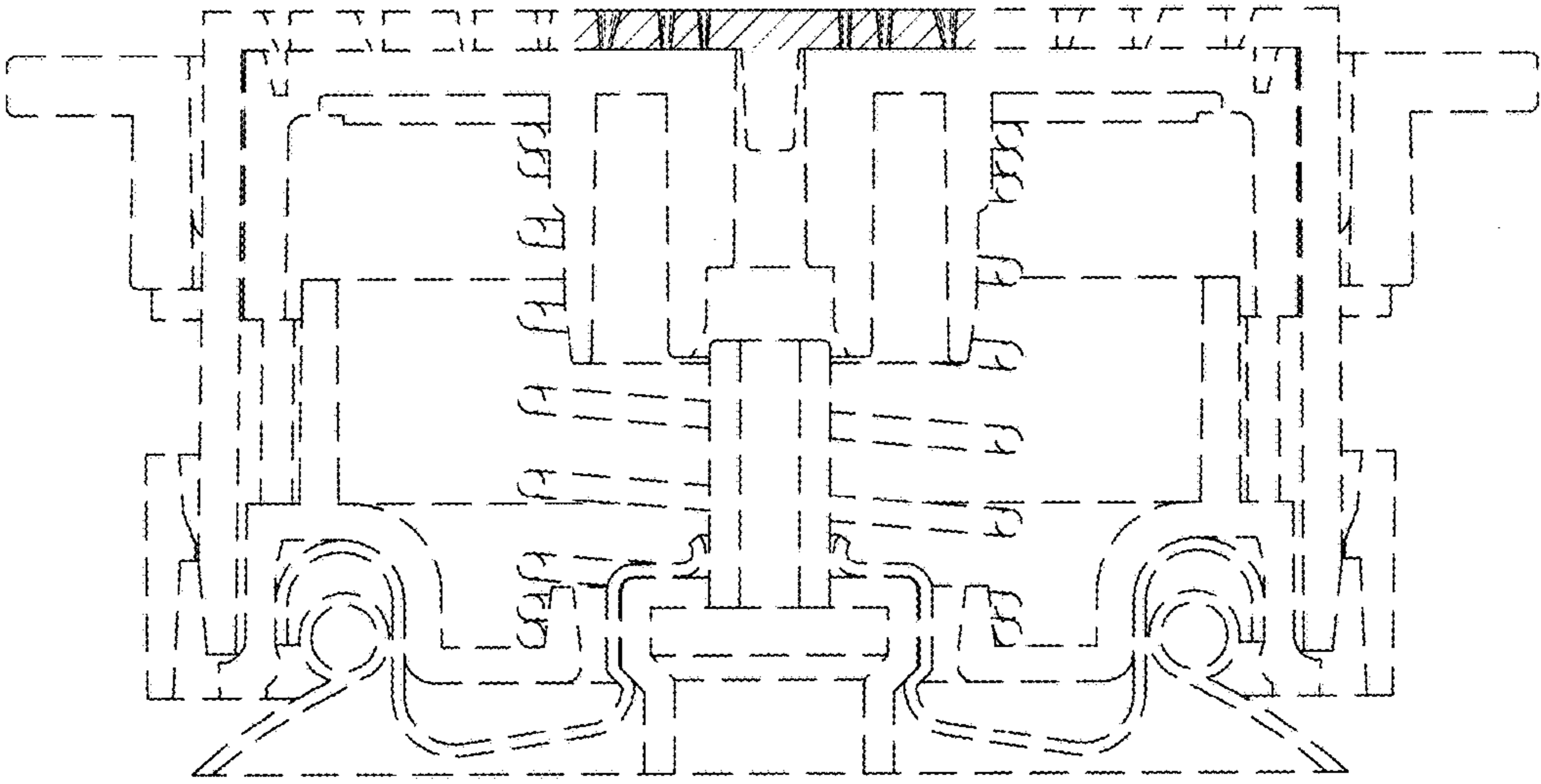


FIG. 8

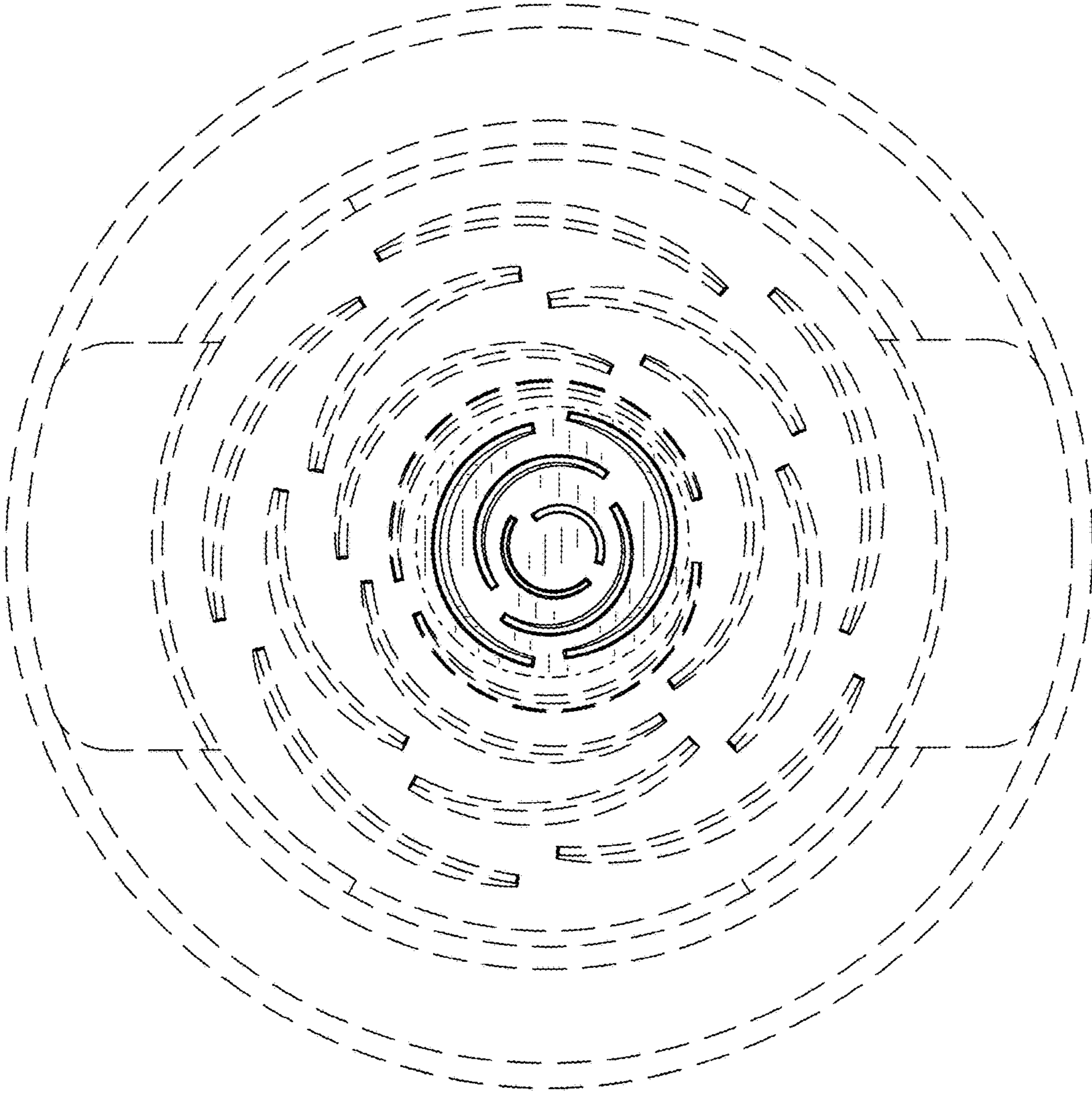


FIG. 9