



US00D842694S

(12) **United States Design Patent** (10) **Patent No.:** **US D842,694 S**
Janes et al. (45) **Date of Patent:** **** Mar. 12, 2019**

- (54) **PACKAGE**
- (71) Applicant: **Kimberly-Clark Worldwide, Inc.**,
Neenah, WI (US)
- (72) Inventors: **Shawn Michael Janes**, Neenah, WI
(US); **Kathleen M. Breen**, Neenah, WI
(US); **Kindra K. Bolsinger**, Cincinnati,
OH (US)
- (73) Assignee: **Kimberly-Clark Worldwide, Inc.**,
Neenah, WI (US)

4,113,100 A * 9/1978 Soja B65D 5/5445
229/112
4,252,236 A 2/1981 Roccaforte
4,778,057 A 10/1988 Allen et al.
4,793,487 A 12/1988 Bentsen et al.
4,883,675 A 11/1989 Wernz
(Continued)

FOREIGN PATENT DOCUMENTS

WO WO 2006/061839 A2 6/2006
WO WO 2007/070998 A2 6/2007

OTHER PUBLICATIONS

Co-pending U.S. Appl. No. 29/634,821, filed Jan. 25, 2018, by
Breen et al. for "Package."

(Continued)

Primary Examiner — Vy N Koenig
(74) *Attorney, Agent, or Firm* — Kimberly-Clark
Worldwide, Inc.

- (**) Term: **15 Years**
- (21) Appl. No.: **29/634,831**
- (22) Filed: **Jan. 25, 2018**

Related U.S. Application Data

- (62) Division of application No. 29/589,150, filed on Dec.
28, 2016, now Pat. No. Des. 812,466.
- (51) **LOC (11) Cl.** **09-07**
- (52) **U.S. Cl.**
USPC **D9/434; D9/432**
- (58) **Field of Classification Search**
USPC D9/414-423, 430-432, 433, 434, 456,
D9/457, 711, 713, 721-722
CPC ... B65D 5/00; B65D 5/02; B65D 5/18; B65D
5/20
See application file for complete search history.

(57) **CLAIM**

The ornamental design for a package, as shown and
described.

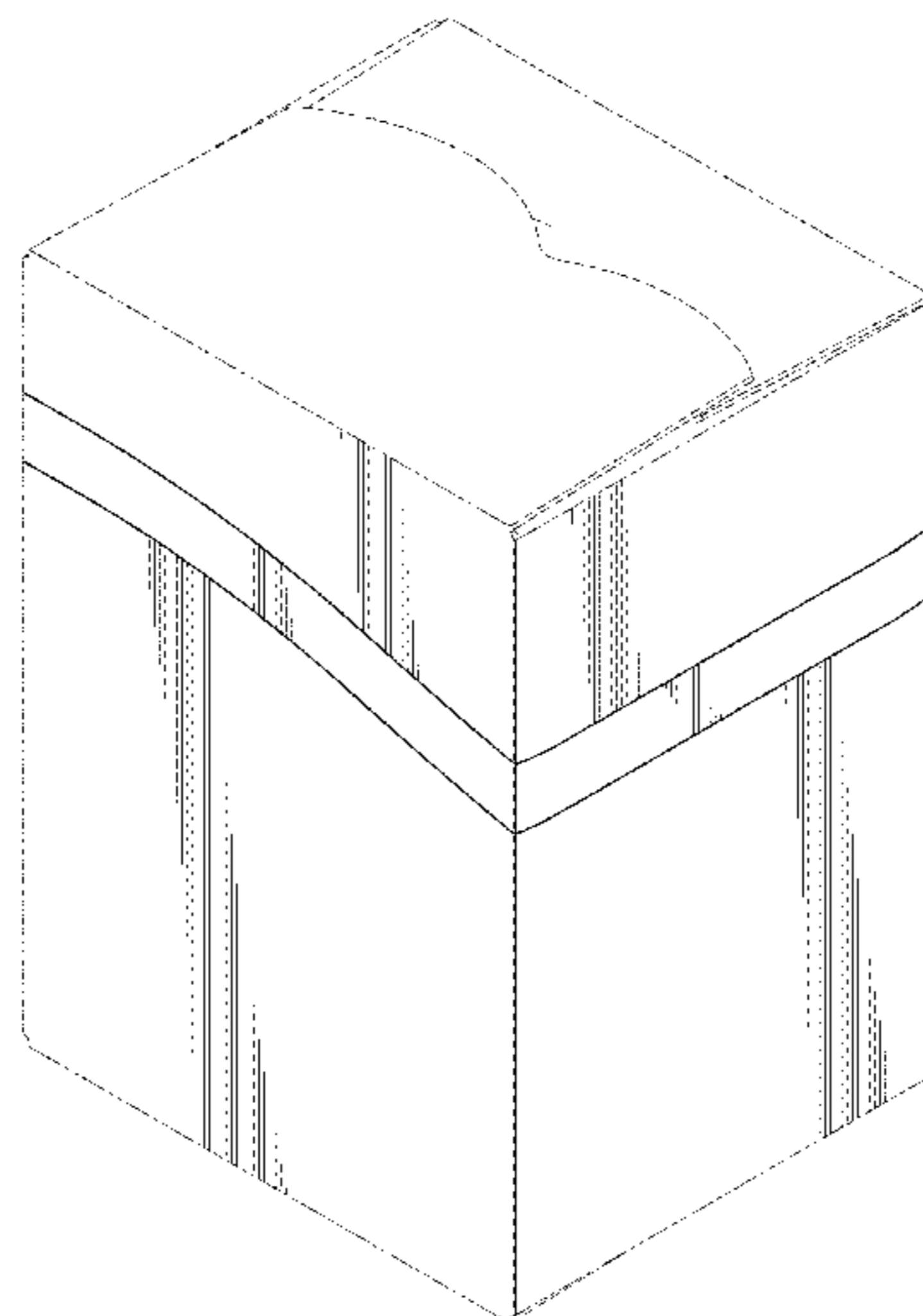
DESCRIPTION

FIG. 1 is a perspective view of a package showing our new
design;
FIG. 2 is a front view of the package of FIG. 1;
FIG. 3 is a back view of the package of FIG. 1;
FIG. 4 is a first side view of the package of FIG. 1;
FIG. 5 is a second side view of the package of FIG. 1;
FIG. 6 is a top view of the package of FIG. 1; and,
FIG. 7 is a bottom view of the package of FIG. 1.
In the drawings, the evenly spaced broken lines represent
environmental structure and form no part of the claimed
design; the dash-dot-dot-dash broken lines represent bound-
aries of the claimed design and form no part of the claimed
design.

(56) **References Cited**
U.S. PATENT DOCUMENTS

2,967,610 A 1/1961 Ebert et al.
3,090,483 A 5/1963 Atree et al.
3,158,312 A 11/1964 Daniel
3,215,332 A 11/1965 Bess
3,860,304 A 1/1975 Bolton
3,884,348 A * 5/1975 Ross B65D 5/48016
206/746

1 Claim, 6 Drawing Sheets



(56)

References Cited

U.S. PATENT DOCUMENTS

4,905,837 A * 3/1990 Schuster B65D 5/5475
 229/120.011
 4,964,526 A 10/1990 Stephens
 5,318,223 A 6/1994 Gale
 5,361,905 A 11/1994 McQueeney et al.
 5,533,667 A 7/1996 Gale
 6,799,695 B1 10/2004 Borrero
 D567,080 S 4/2008 Bone et al.
 7,373,765 B2 5/2008 Welchel et al.
 7,377,384 B2 5/2008 Mitten et al.
 D586,210 S 2/2009 Noschang et al.
 D600,548 S 9/2009 Seol et al.
 D603,700 S 11/2009 Paredes et al.
 D614,025 S 4/2010 Paredes et al.
 7,913,845 B2 3/2011 Velazquez et al.
 7,958,994 B2 6/2011 Weinmann
 D655,156 S 3/2012 Schrimpf et al.
 D669,793 S * 10/2012 Hynes D9/434
 D672,646 S 12/2012 Vanden Boom et al.
 D677,580 S * 3/2013 Powers D9/434
 D680,428 S 4/2013 Vanden Boom et al.
 D685,262 S 7/2013 Hunter
 D692,311 S 10/2013 Wilcoxon et al.
 D693,681 S 11/2013 Allen et al.
 D701,118 S 3/2014 Klopp et al.
 D705,056 S 5/2014 Gagliardo et al.
 D706,629 S 6/2014 Bartels et al.

D711,737 S 8/2014 Nara et al.
 D712,736 S * 9/2014 Hara D9/432
 D715,142 S 10/2014 Allen et al.
 D732,952 S 6/2015 Ghini et al.
 D752,439 S * 3/2016 Abel D9/499
 D774,400 S * 12/2016 Miyazaki D9/434
 D775,964 S * 1/2017 Mochizuki D9/432
 D778,167 S * 2/2017 Mochizuki D9/432
 D785,452 S 5/2017 Lee et al.
 D800,573 S * 10/2017 Mochizuki D9/624
 D811,876 S * 3/2018 Breen D9/432
 D812,466 S * 3/2018 Janes D9/432
 2003/0130632 A1 7/2003 Costea et al.
 2008/0190791 A1 8/2008 Ghini et al.
 2009/0108010 A1 4/2009 Ludden-Biegel
 2011/0095021 A1 4/2011 Clough

OTHER PUBLICATIONS

Co-pending U.S. Appl. No. 29/634,822, filed Jan. 25, 2018, by Breen et al. for "Package."
 Co-pending U.S. Appl. No. 29/634,823, filed Jan. 25, 2018, by Breen et al. for "Package."
 Co-pending U.S. Appl. No. 29/634,826, filed Jan. 25, 2018, by Janes et al. for "Package."
 Co-pending U.S. Appl. No. 29/634,838, filed Jan. 25, 2018, by Janes et al. for "Package."

* cited by examiner

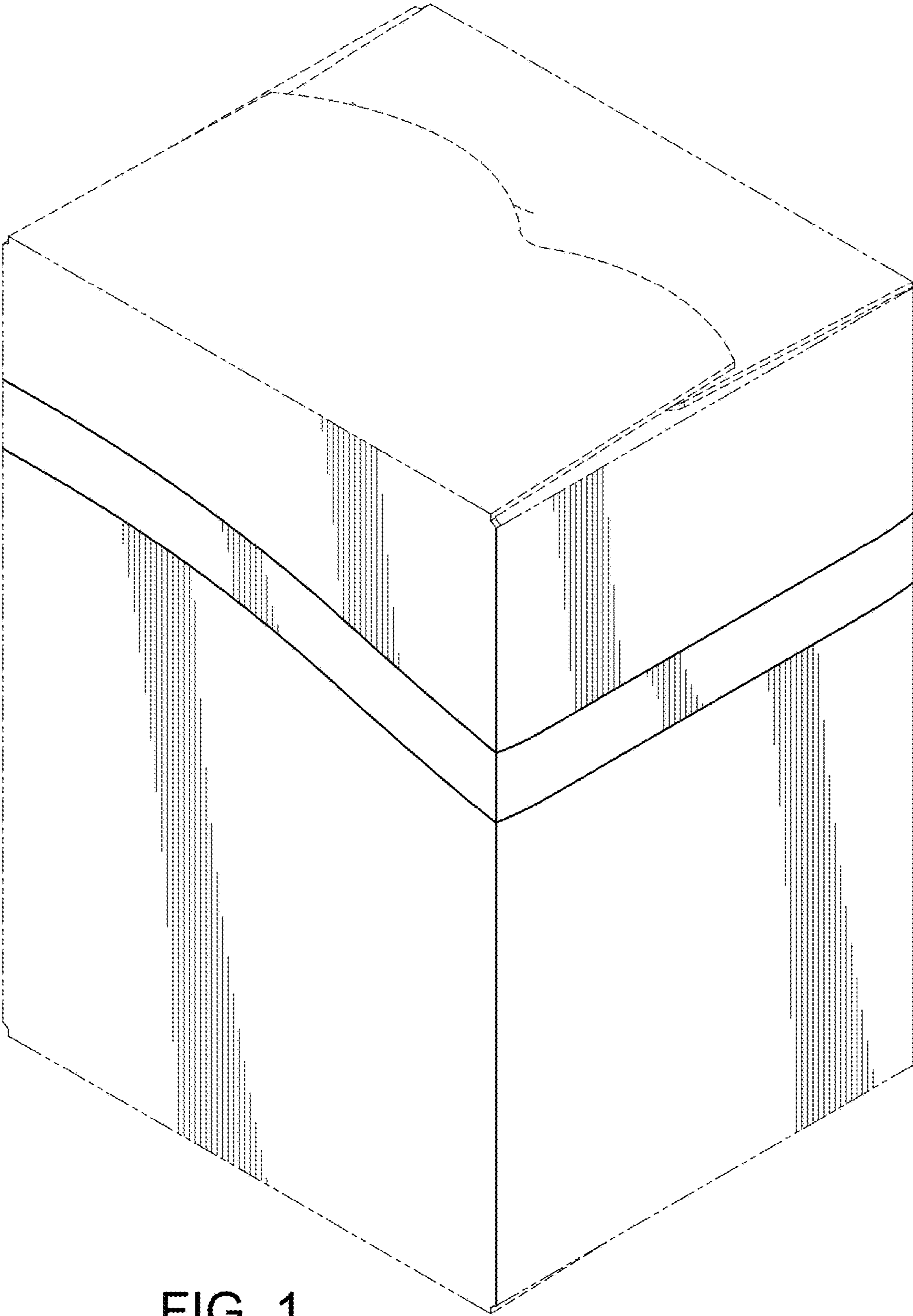


FIG. 1

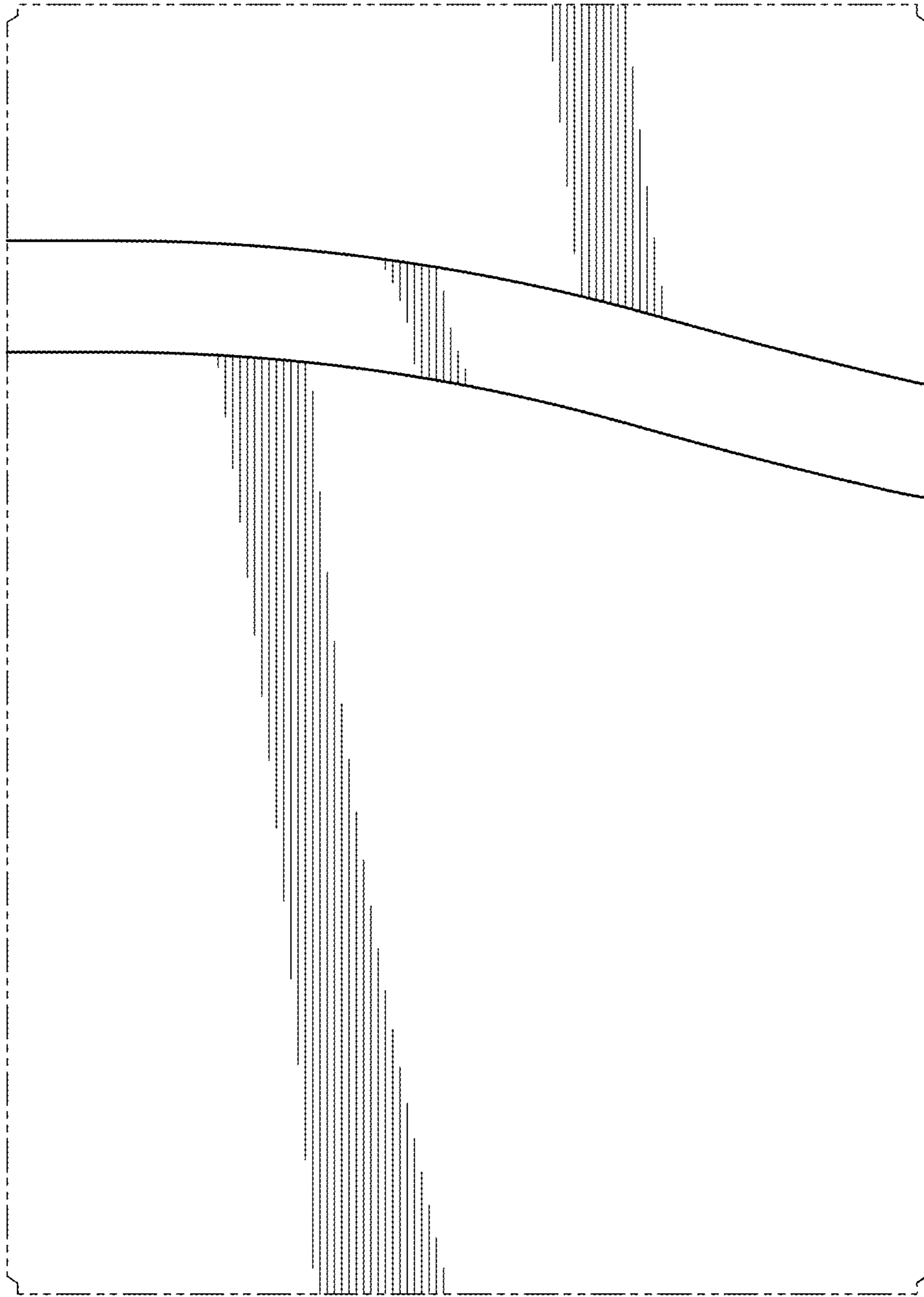


FIG. 2

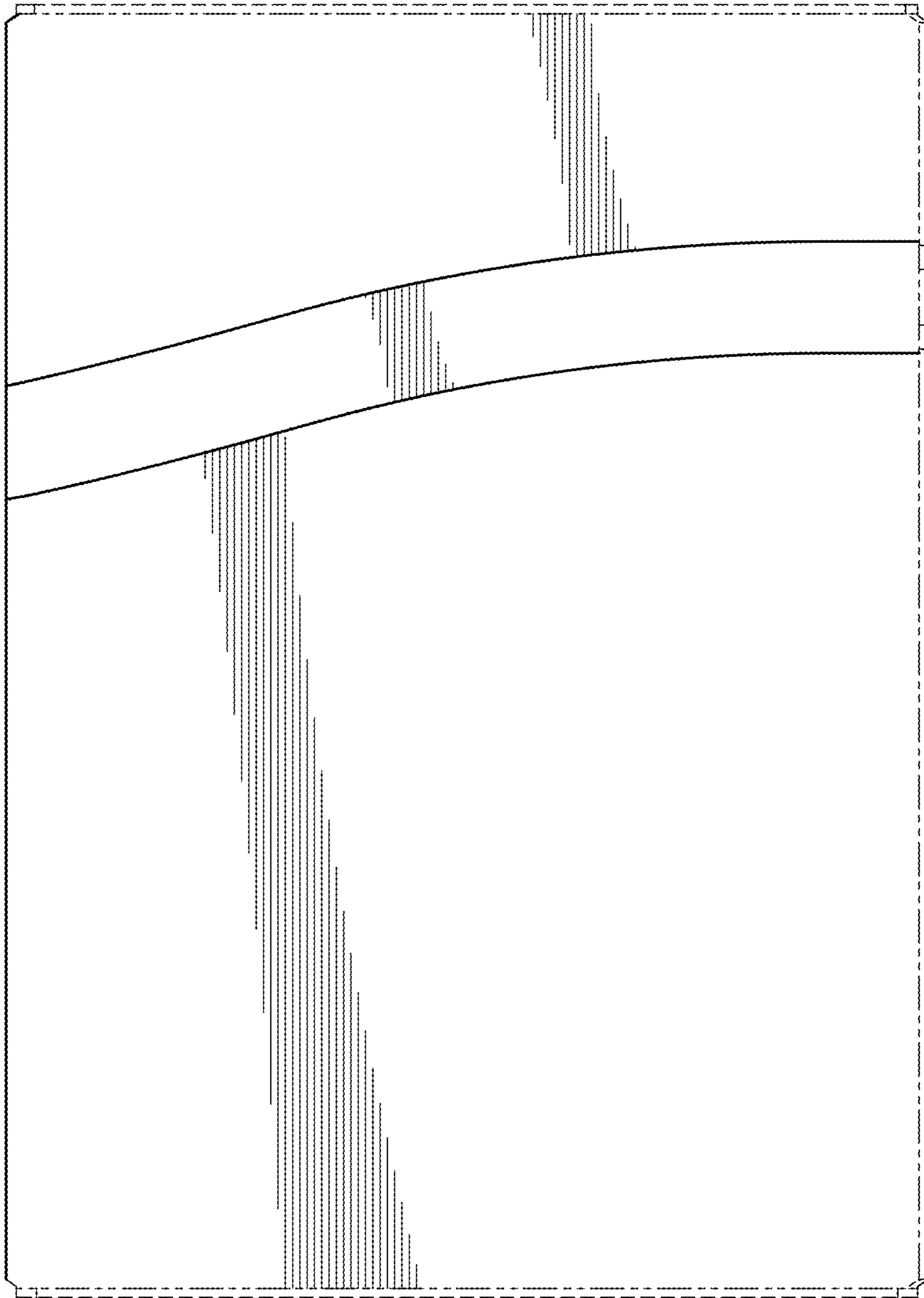


FIG. 3

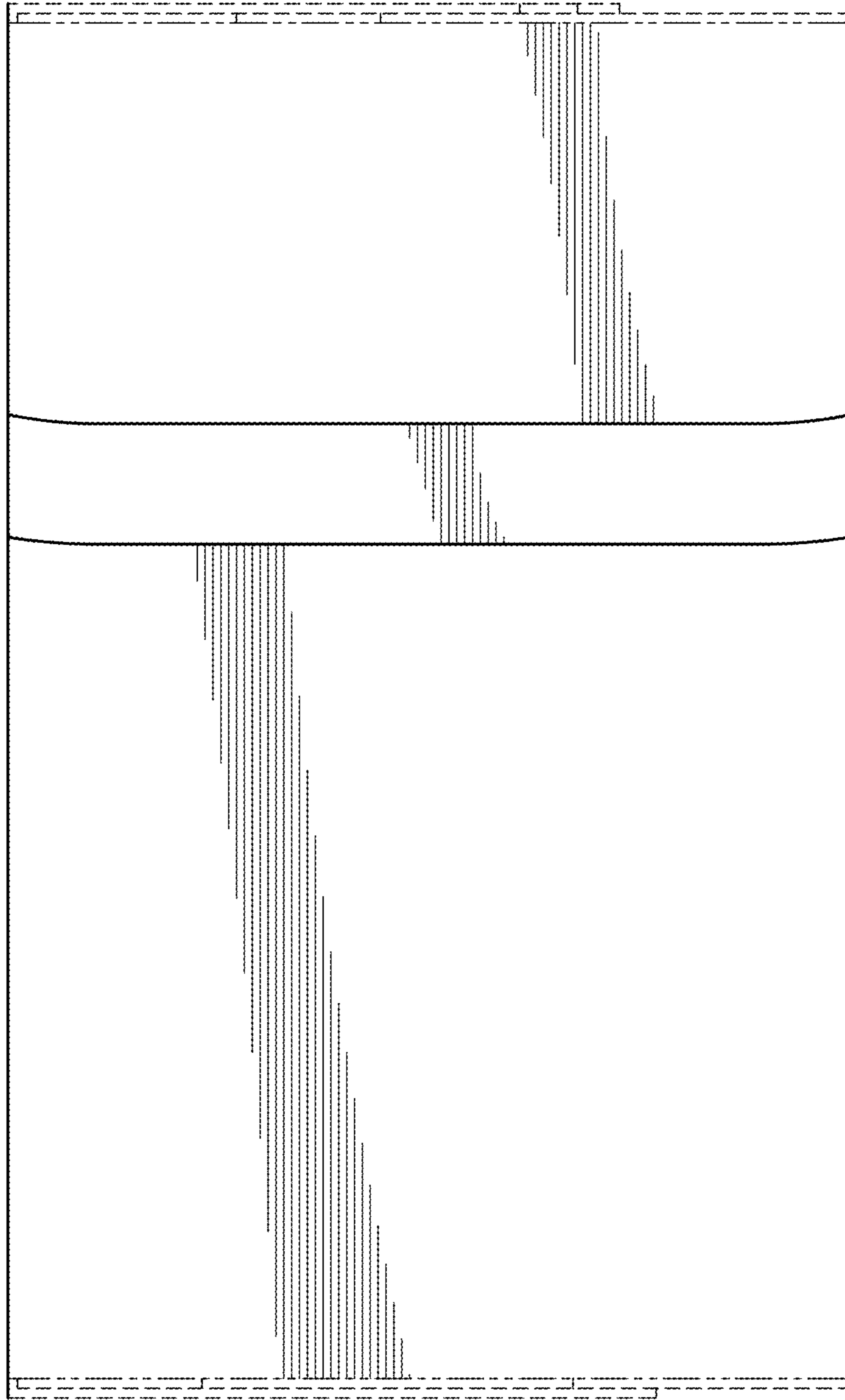


FIG. 4

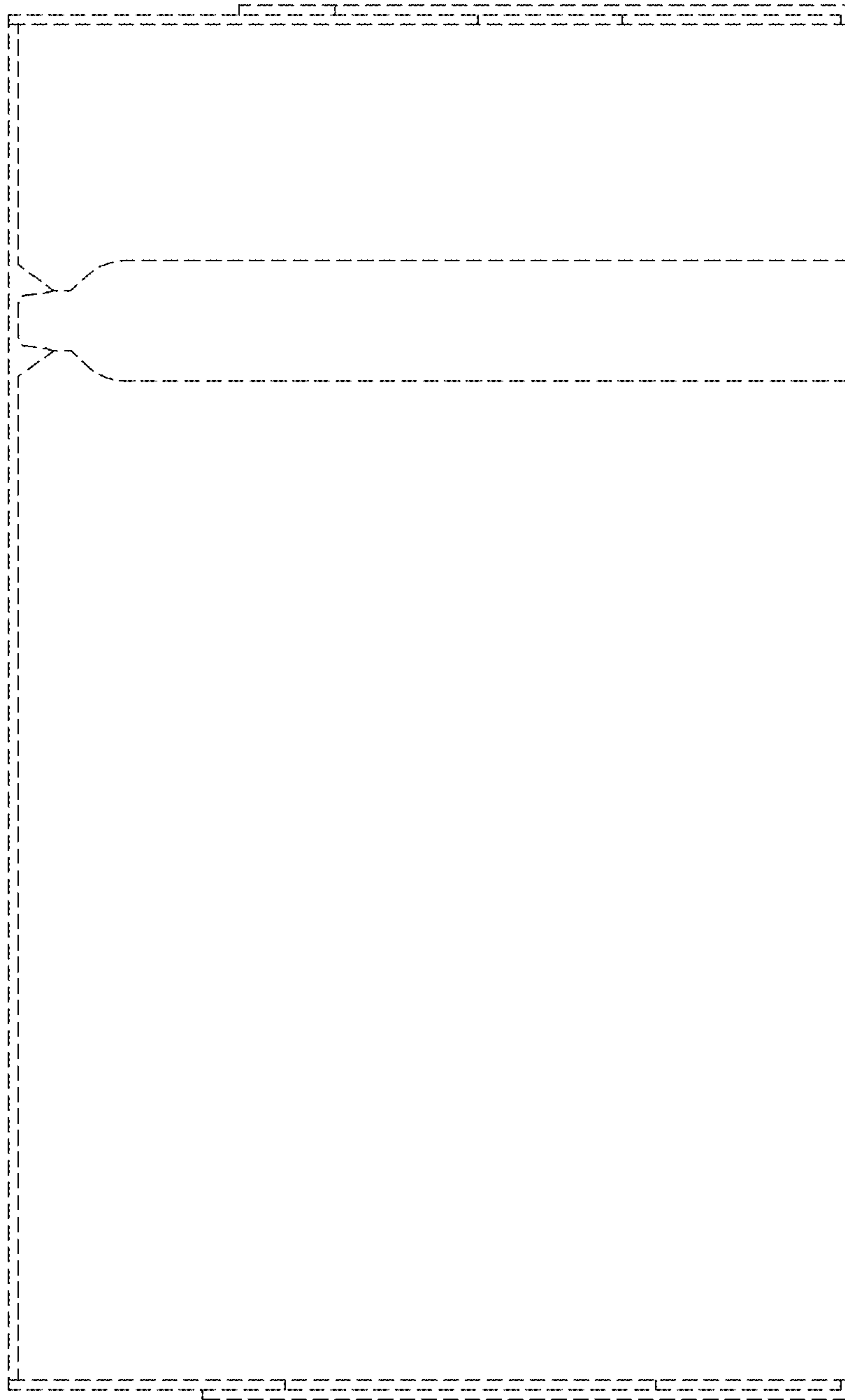


FIG. 5

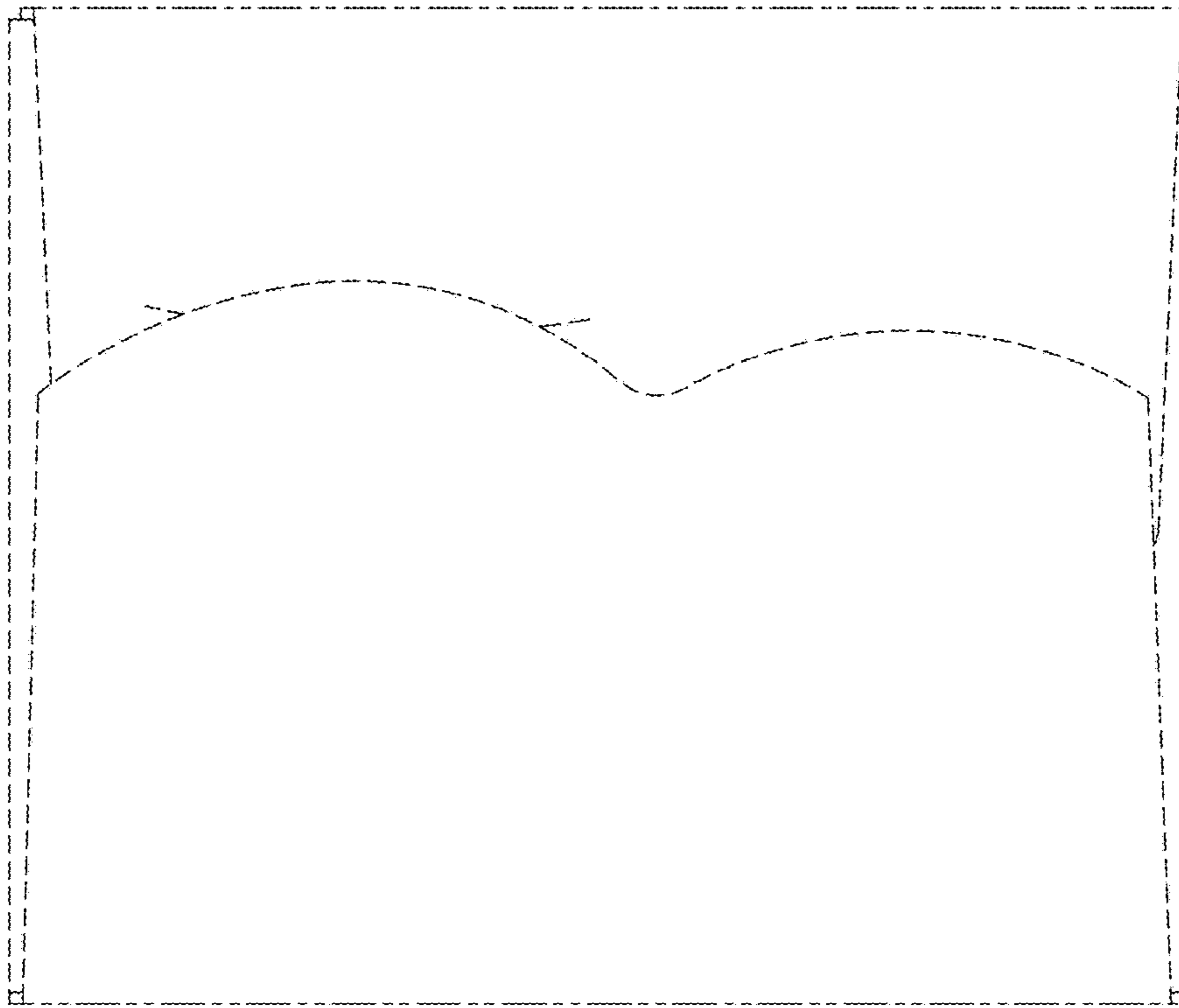


FIG. 6

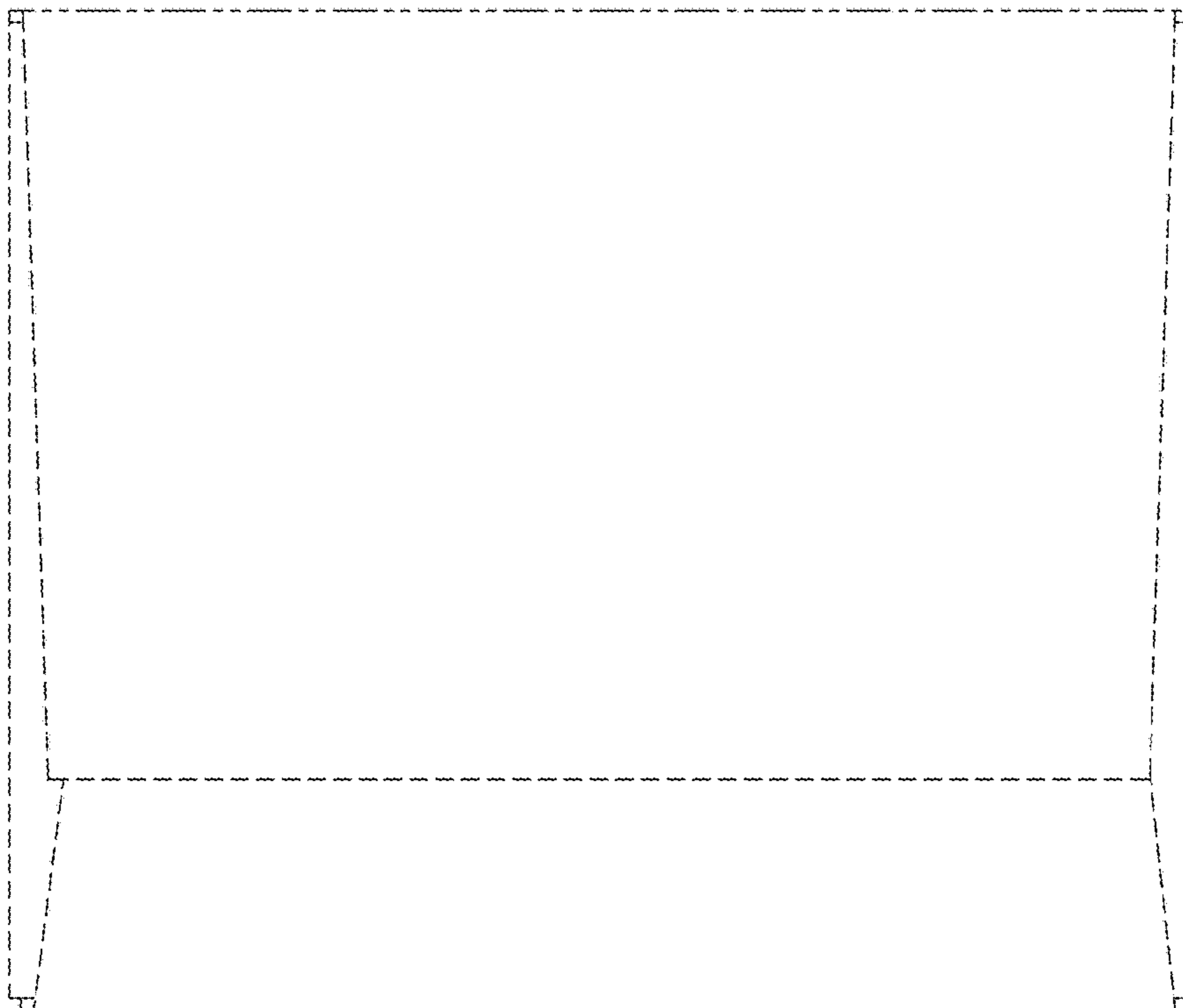


FIG. 7