



US00D842691S

(12) **United States Design Patent**
Wolf

(10) **Patent No.:** **US D842,691 S**
(45) **Date of Patent:** **** Mar. 12, 2019**

(54) **TWO-PIECE FOOD CONTAINER**
(71) Applicant: **LBP Manufacturing LLC**, Cicero, IL (US)
(72) Inventor: **Kurt Wolf**, Chicago, IL (US)
(73) Assignee: **LBP Manufacturing LLC**, Cicero, IL (US)

5,690,272 A 11/1997 England
D439,840 S * 4/2001 Saulas B65D 5/02
D9/431
6,478,217 B1 * 11/2002 Lombardi B65D 5/20
229/122.34
D519,838 S * 5/2006 Brooks D9/456
D538,656 S * 3/2007 Brooks D9/456
D594,657 S * 6/2009 McAlpine D3/273
D611,342 S * 3/2010 McAlpine D3/297

(Continued)

(**) Term: **15 Years**

FOREIGN PATENT DOCUMENTS

(21) Appl. No.: **29/621,658**

EP 1174347 A2 1/2002
GB 1158796 A 7/1969

(22) Filed: **Oct. 10, 2017**

(Continued)

(51) **LOC (11) Cl.** **09-03**

(52) **U.S. Cl.**
USPC **D9/432**

OTHER PUBLICATIONS

(58) **Field of Classification Search**
USPC D9/414-423, 430-432, 433, 434, 456,
D9/457, 711, 713, 721-722
CPC ... B65D 5/00; B65D 5/02; B65D 5/18; B65D
5/20
See application file for complete search history.

Twin Lock Brown Kraft #4 Take Out Meal Boxes with Optional Vents. [online] Retrieved Aug. 28, 2018 from URL: <https://www.mrtakeoutbags.com/product/XFSLBP2100.html>.*

Primary Examiner — Vy N Koenig
(74) *Attorney, Agent, or Firm* — Fitch, Even, Tabin & Flannery LLP

(56) **References Cited**

(57) **CLAIM**

U.S. PATENT DOCUMENTS

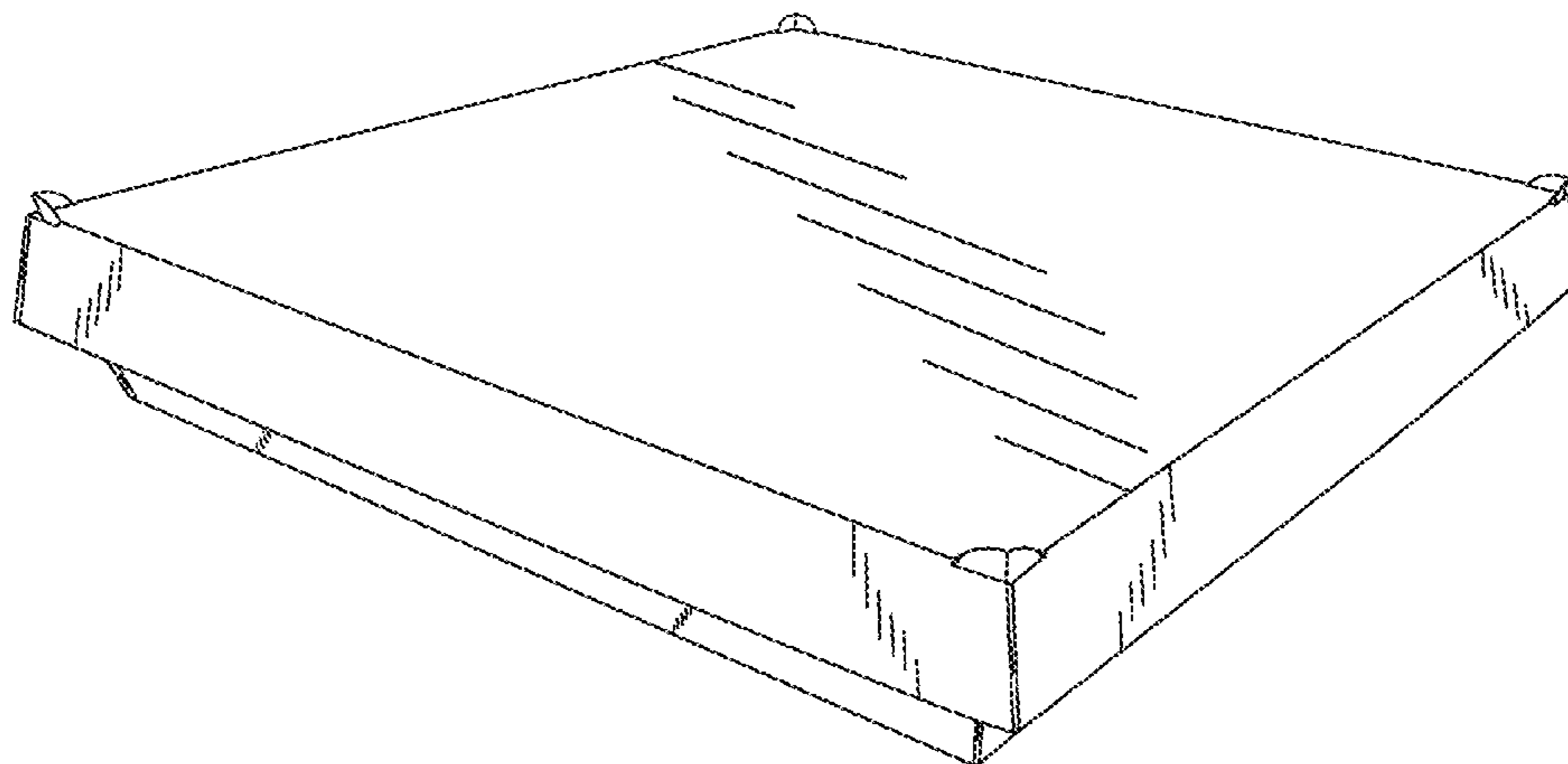
I claim the ornamental design for a two-piece food container, as shown and described.

4,053,100 A 10/1977 Baptist
4,567,341 A * 1/1986 Brown B65D 81/3453
219/729
4,930,681 A * 6/1990 Fultz B65D 5/667
229/114
4,960,238 A * 10/1990 Lorenz B65D 5/2047
229/114
5,060,851 A * 10/1991 Lorenz B65D 5/2047
220/4.24
5,188,284 A * 2/1993 Eisman B65D 5/64
229/110
5,203,494 A 4/1993 Blomfield
D336,427 S * 6/1993 Mainiero D9/423
5,234,158 A 8/1993 Storms
5,427,308 A 6/1995 Swift

DESCRIPTION

FIG. 1 is a perspective view of a two-piece food container, showing my new design;
FIG. 2 is a top plan view thereof;
FIG. 3 is a bottom plan view thereof;
FIG. 4 is a front elevational view thereof, the rear being identical; and,
FIG. 5 is a side elevational view thereof, the opposite side being identical.

1 Claim, 5 Drawing Sheets



(56)

References Cited

U.S. PATENT DOCUMENTS

8,490,808 B1 * 7/2013 Snyder B65D 5/667
220/4.22
10,086,972 B2 * 10/2018 Hajek B65D 5/0085
2006/0175223 A1 8/2006 Casanovas

FOREIGN PATENT DOCUMENTS

JP 2011105326 A 6/2011
SE 531486 C2 4/2009
WO 199627537 9/1996
WO 201581456 6/2015

* cited by examiner

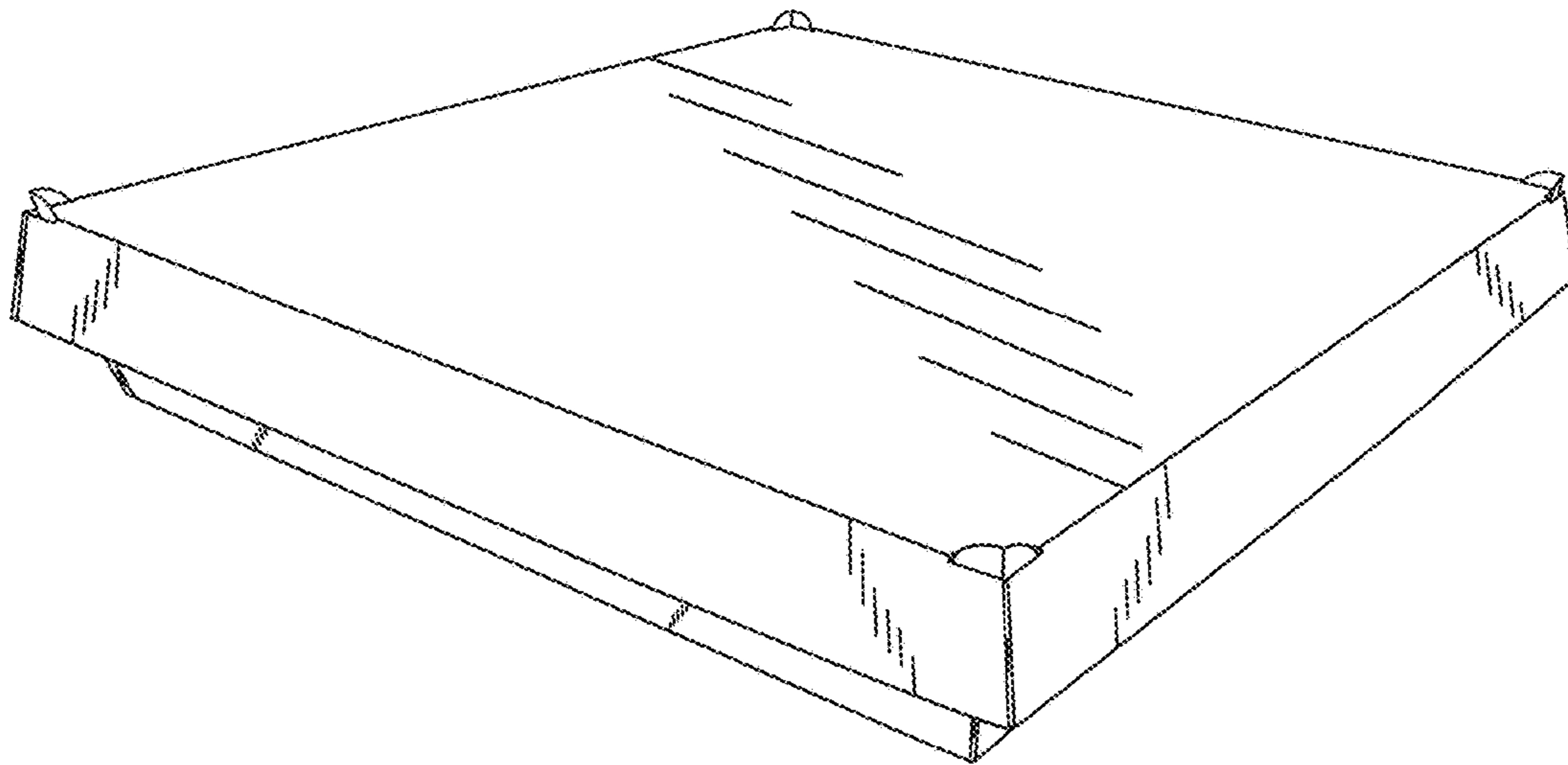


FIG. 1

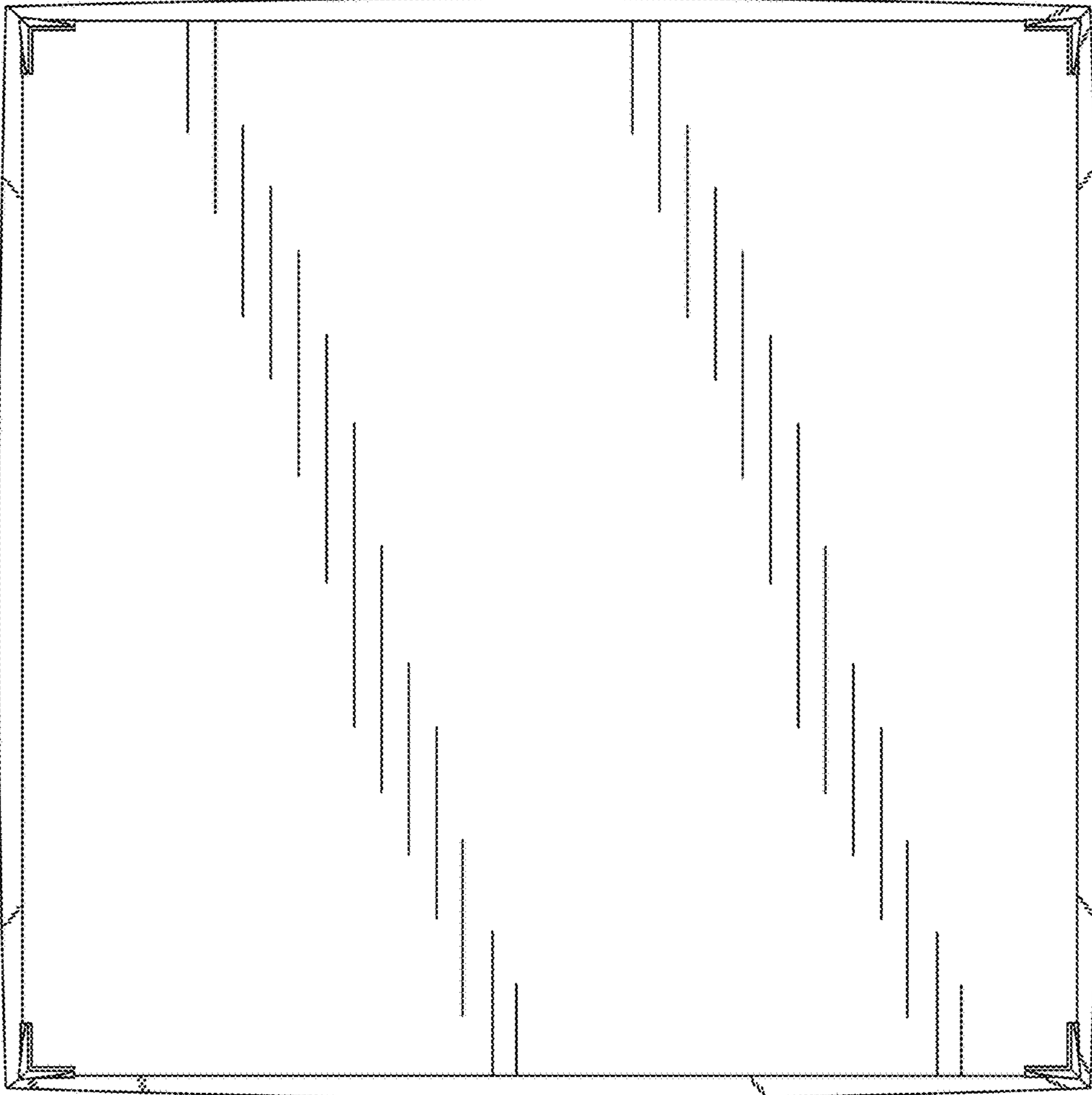


FIG. 2

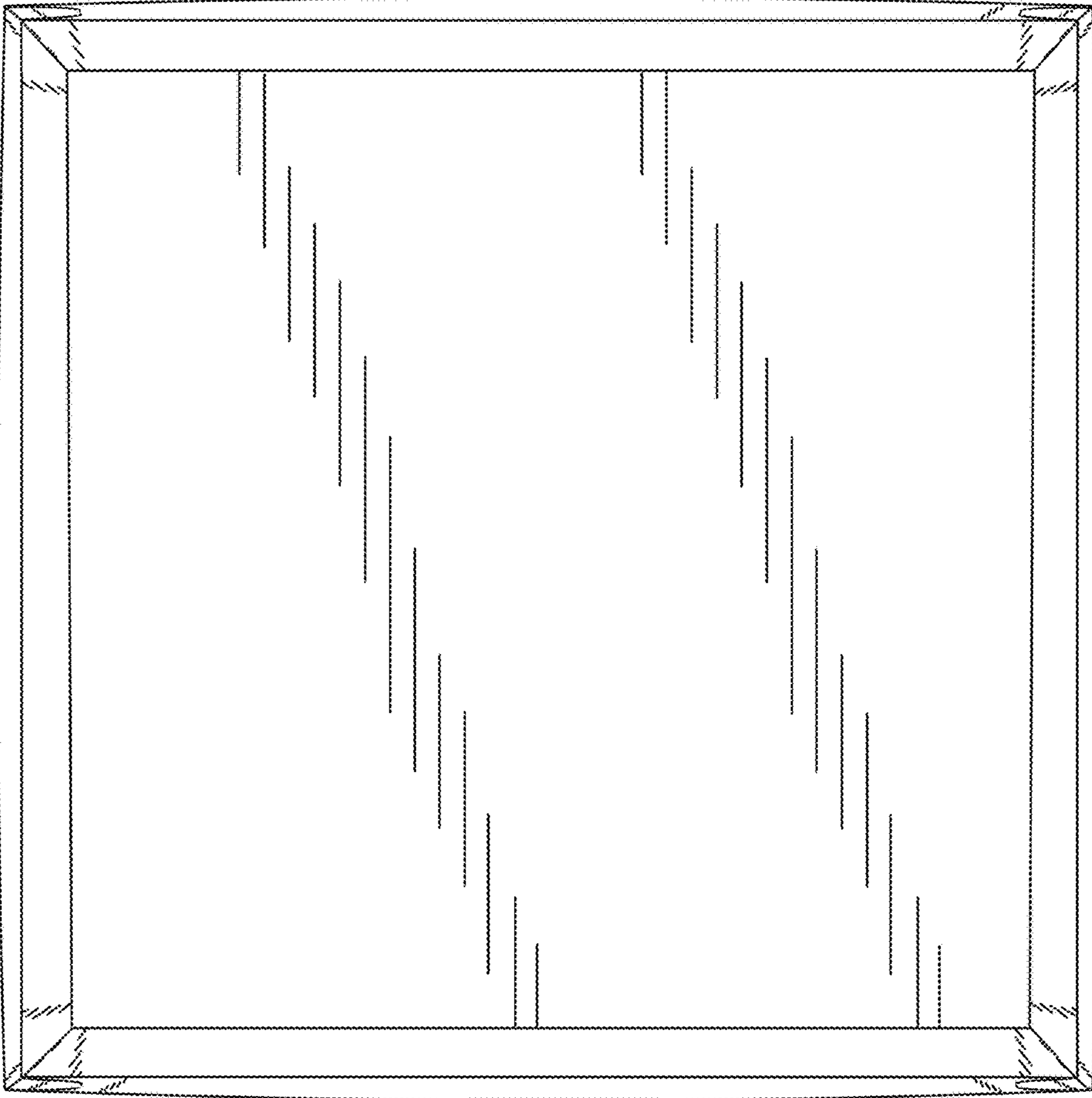


FIG. 3

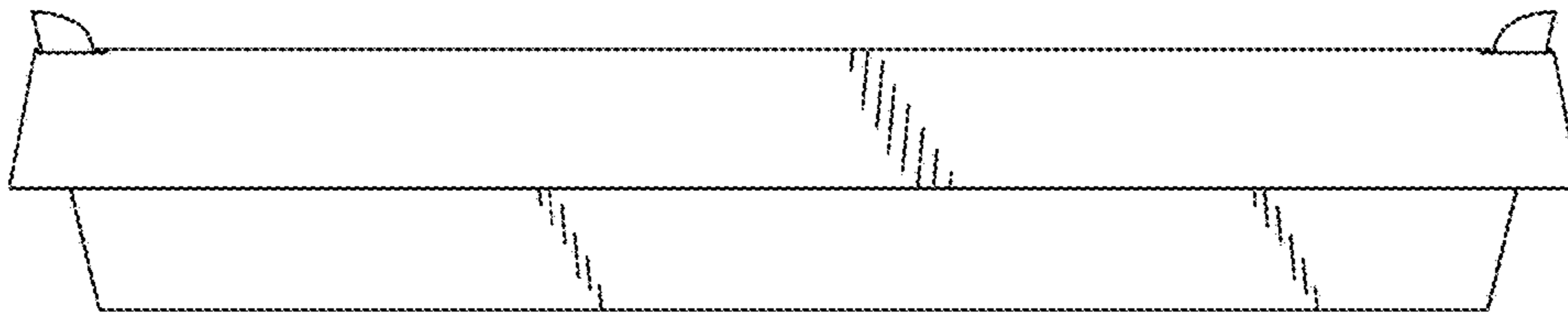


FIG. 4

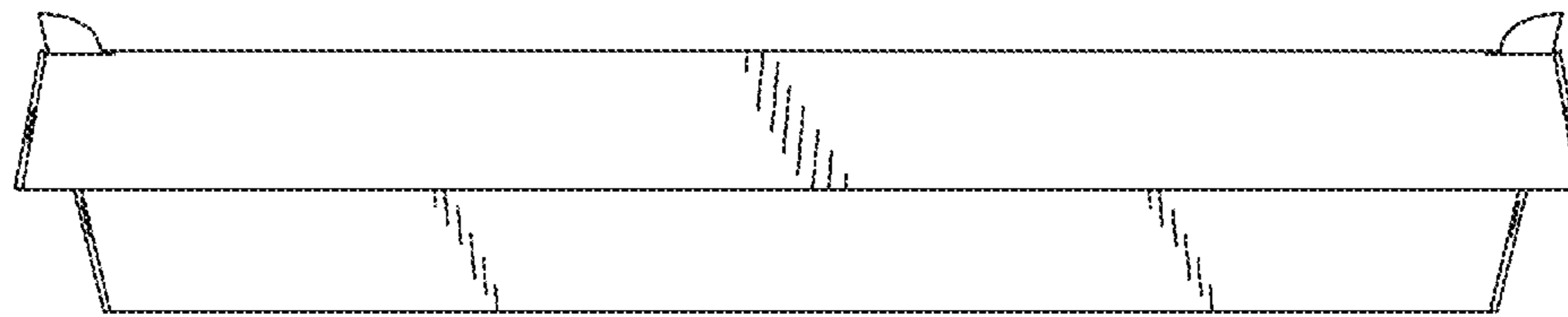


FIG. 5