



US00D842689S

(12) **United States Design Patent**
Sanfilippo et al.

(10) **Patent No.:** **US D842,689 S**
(45) **Date of Patent:** **** Mar. 12, 2019**

(54) **PACKAGE**

(71) Applicant: **PRIMAPAK, LLC**, Elgin, IL (US)
(72) Inventors: **James J. Sanfilippo**, Barrington Hills, IL (US); **Milorad Radenovic**, Chicago, IL (US)

(73) Assignee: **PRIMAPAK, LLC**, Elgin, IL (US)

(**) Term: **15 Years**

(21) Appl. No.: **29/543,418**

(22) Filed: **Oct. 23, 2015**

(51) **LOC (11) Cl.** **09-03**

(52) **U.S. Cl.**
USPC **D9/416**

(58) **Field of Classification Search**
USPC D9/414, 416, 420, 422, 423, 432, 734,
D9/449, 450
CPC B65D 75/5838; B29C 65/76
See application file for complete search history.

(56) **References Cited**

U.S. PATENT DOCUMENTS

4,790,436	A *	12/1988	Nakamura	B65D 83/0805 206/449
4,798,295	A *	1/1989	Rausing	B65D 5/708 229/229
5,366,104	A	11/1994	Armstrong		
D380,962	S	7/1997	Trigger		
D431,464	S	10/2000	Collins et al.		
D502,095	S	2/2005	Tucker et al.		
D609,085	S	2/2010	Brachman et al.		
D637,481	S	5/2011	Sellari et al.		
D715,643	S	10/2014	Sanfilippo et al.		
D725,467	S	3/2015	Sanfilippo et al.		
D746,673	S *	1/2016	Sanfilippo	D9/416
D747,646	S *	1/2016	Sanfilippo	D9/416

(Continued)

Primary Examiner — Lauren R Calve

(74) *Attorney, Agent, or Firm* — Marshall, Gerstein & Borun LLP

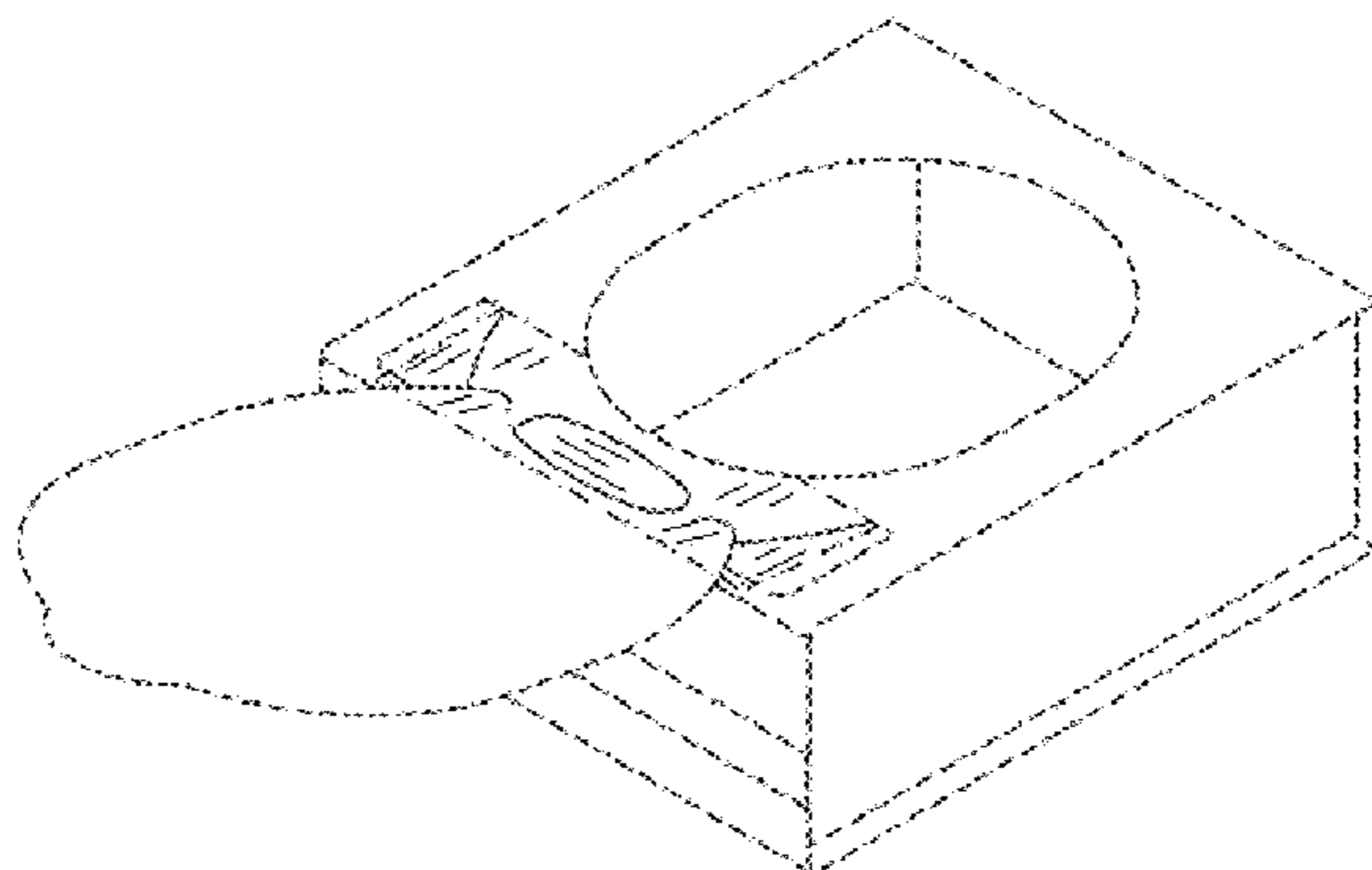
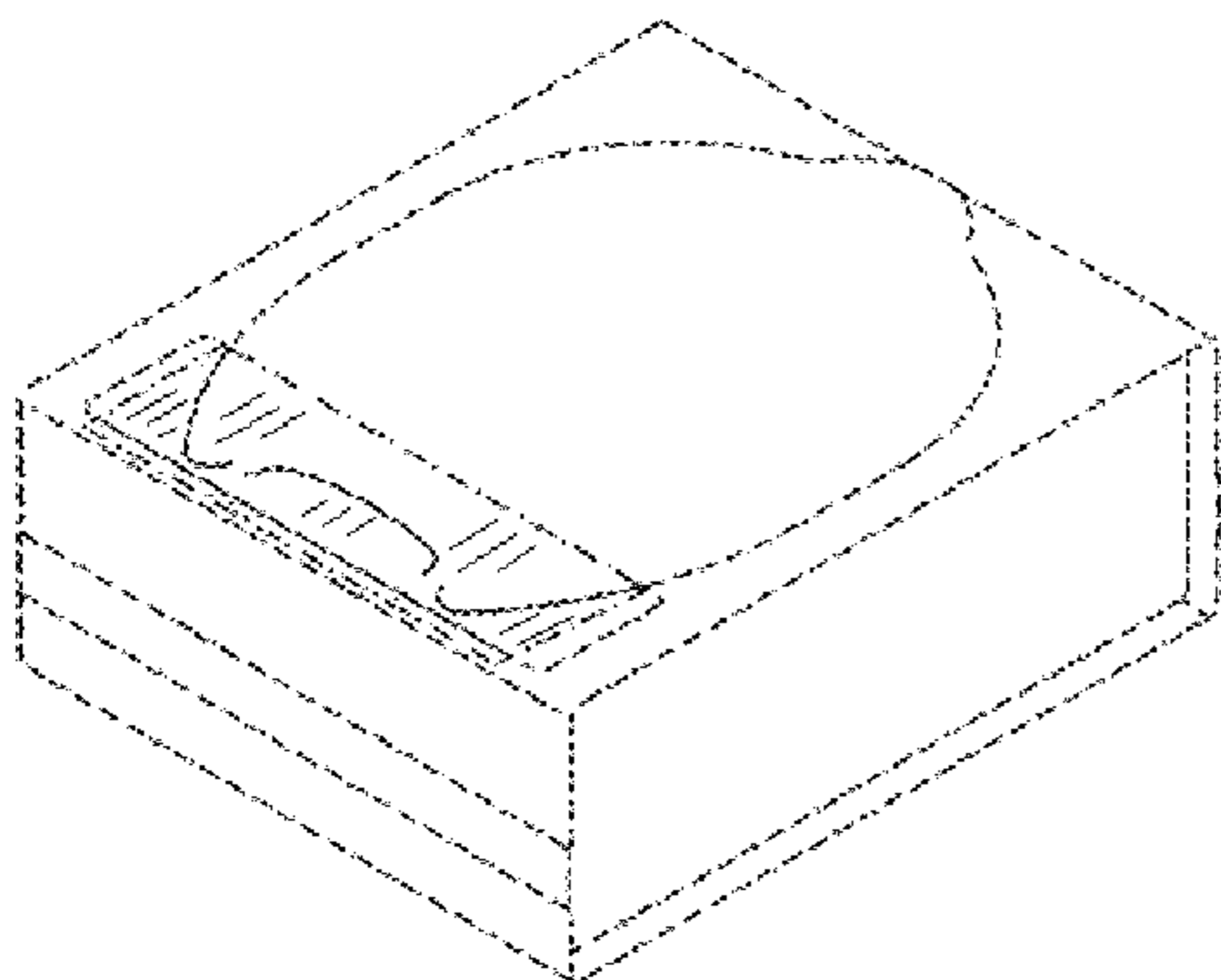
(57) **CLAIM**

The ornamental design for a package, as shown and described.

DESCRIPTION

FIG. 1 is a back, left-side, and top view of a package showing the new design, with the lid in a closed position. FIG. 2 is a top plan view of the package. FIG. 3 is a front elevation view of the package. FIG. 4 is a right-side elevation view of the package. FIG. 5 is a rear elevation view of the package. FIG. 6 is a left-side elevation view of the package. FIG. 7 is a bottom plan view of the package. FIG. 8 is a front, right-side, and bottom view of the package. FIG. 9 is a back, left-side, and top view of the package with the lid in an open position. FIG. 10 is a left-side elevation view of the package in the open position. The opposite side view is a minor image of this view. FIG. 11 is a top plan view of the package in the open position. FIG. 12 is a front elevation view of the package in the open position. FIG. 13 is a back elevation view of the package in the open position; and, FIG. 14 is a top plan view of the package according to a second embodiment. The claimed subject matter shown is identical to the claimed subject matter of FIGS. 1-13. The only difference is a slightly shorter length of the package shown in broken lines, which does not form part of the claimed design. The broken lines represent elements of the package that form no part of the claimed design. The dash-dot lines represent boundaries of the claimed design, and do not form part of the claimed design.

1 Claim, 9 Drawing Sheets



(56)

References Cited

U.S. PATENT DOCUMENTS

D764,903	S *	8/2016	Sanfilippo	D9/416
D764,914	S *	8/2016	Sanfilippo	D9/435
D766,082	S *	9/2016	Sanfilippo	D9/434
D778,721	S *	2/2017	Sanfilippo	D9/416
D787,319	S *	5/2017	Sanfilippo	D9/423
D798,147	S *	9/2017	Sanfilippo	D9/438
D806,536	S *	1/2018	Kato	D9/432
2001/0040107	A1 *	11/2001	Toure	B65D 75/5833 206/233
2009/0028472	A1 *	1/2009	Andersson	B65D 75/44 383/205
2010/0018974	A1 *	1/2010	Lyzenga	B65D 75/5838 220/214
2010/0154264	A1 *	6/2010	Scott	B65D 75/5838 40/630
2016/0122109	A1 *	5/2016	Clark	B65D 75/5838 220/23.4
2017/0036835	A1 *	2/2017	Duncan	B65D 75/5838
2017/0355503	A1 *	12/2017	Halgren	B29C 65/76

* cited by examiner

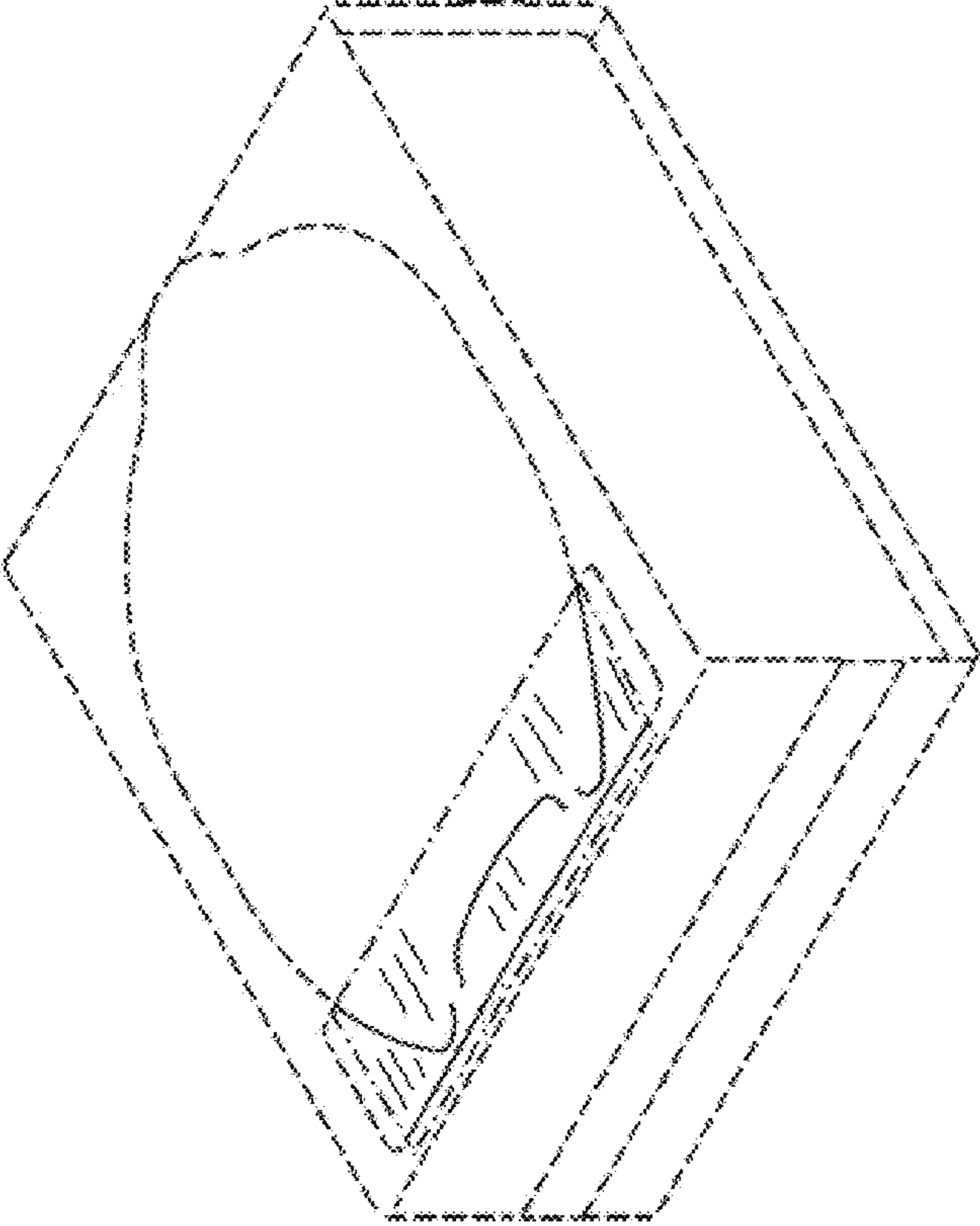


Fig. 1

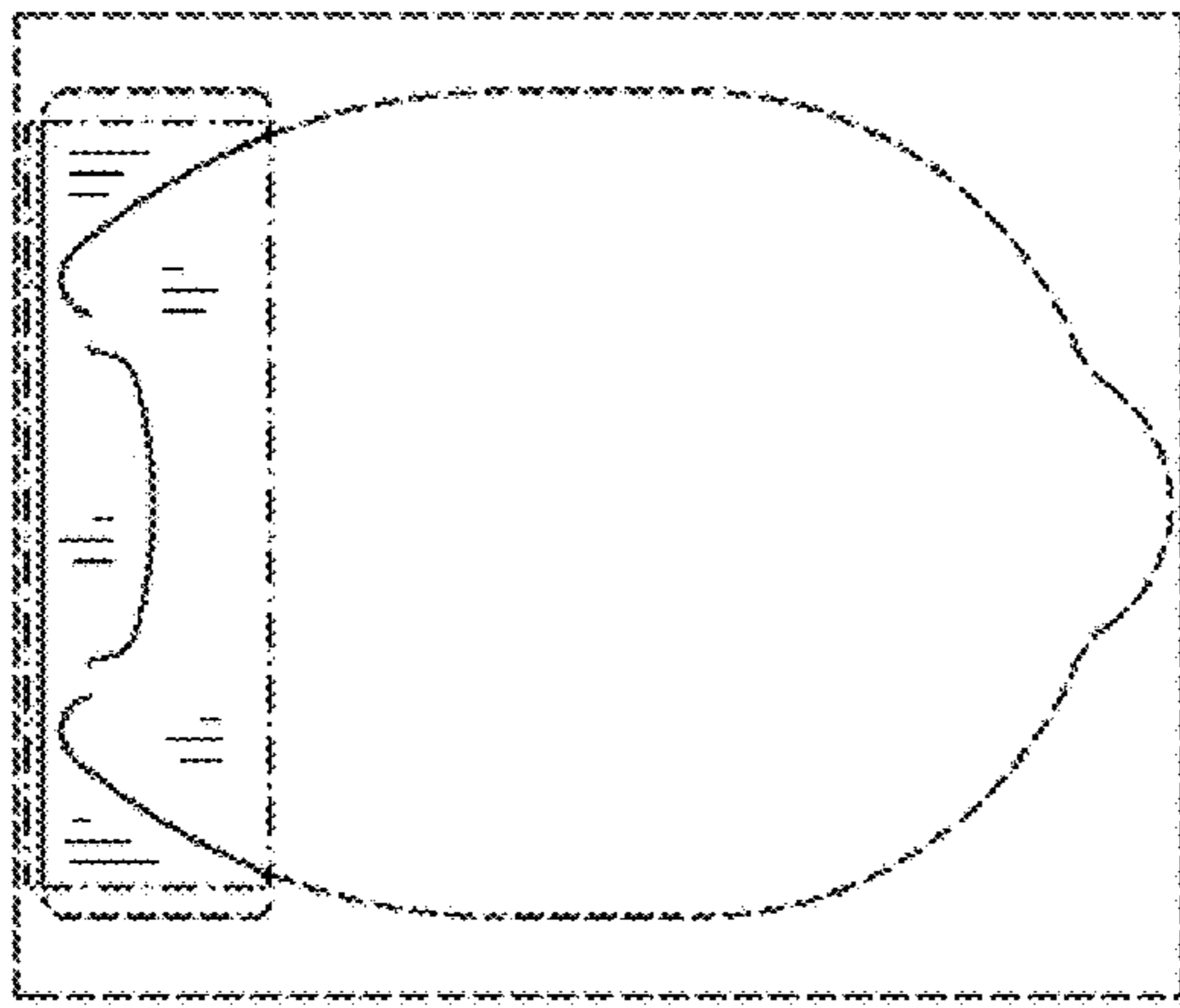


Fig. 2

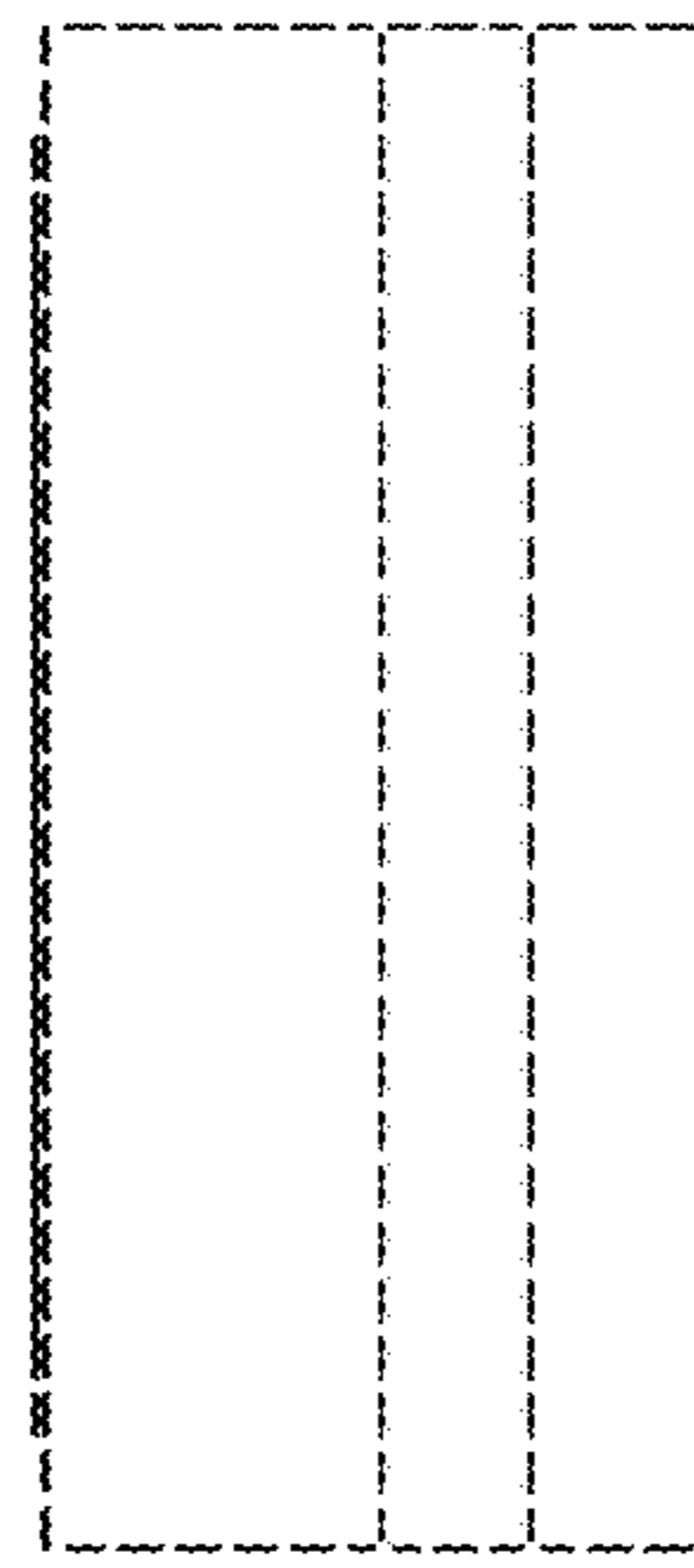


Fig. 3

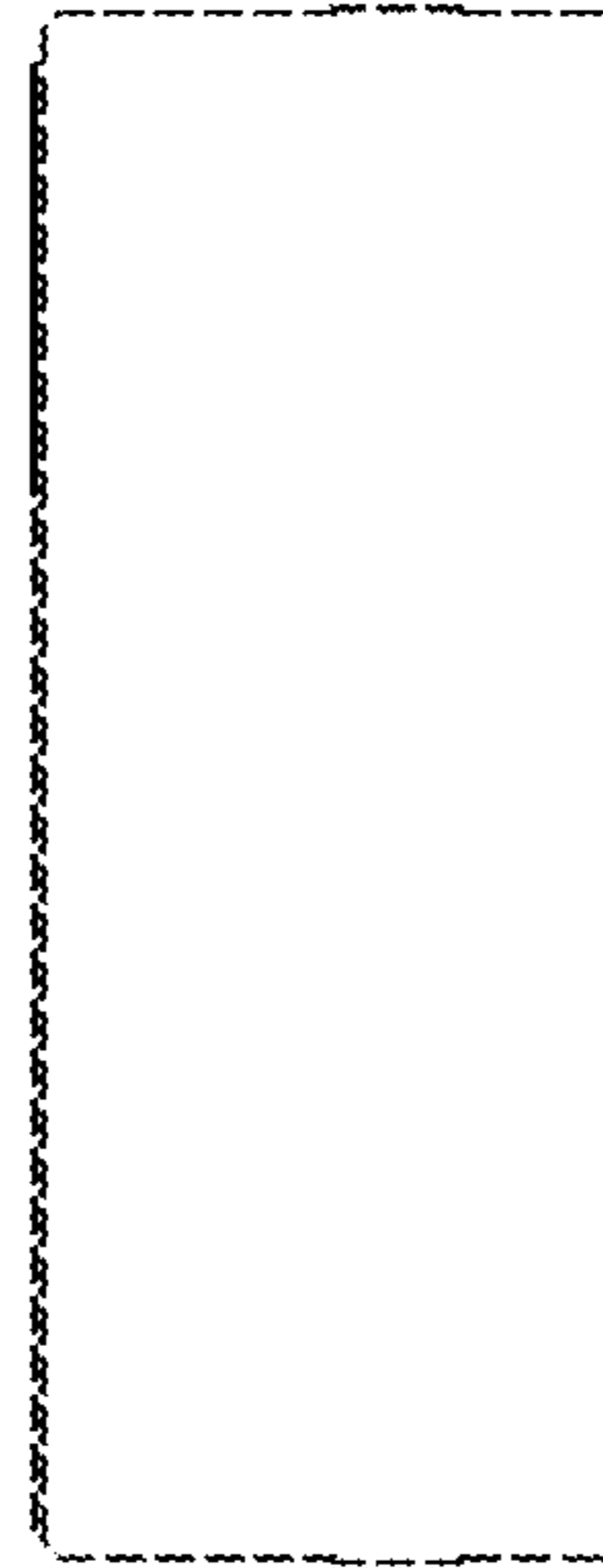


Fig. 4



Fig. 6

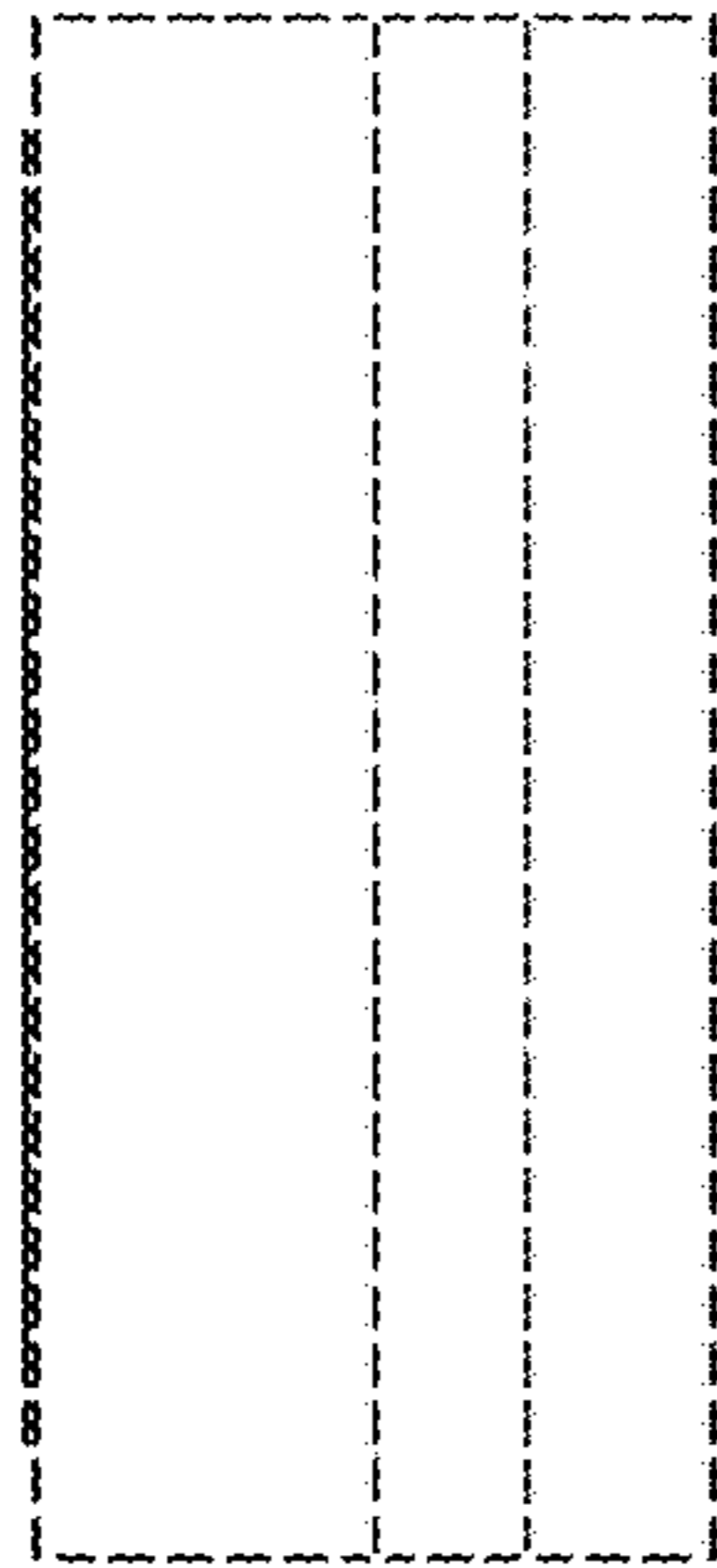


Fig. 5



Fig. 7

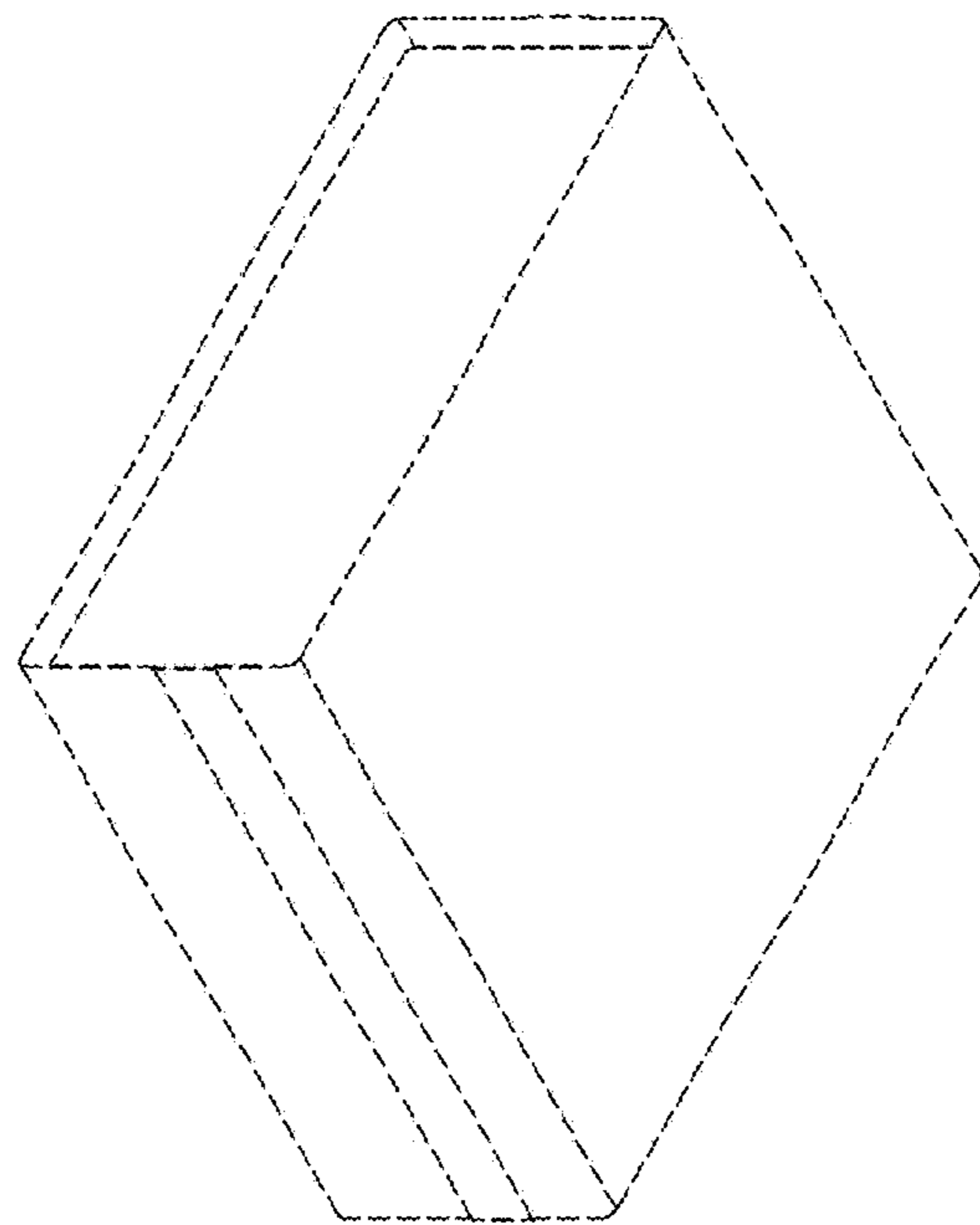


Fig. 8

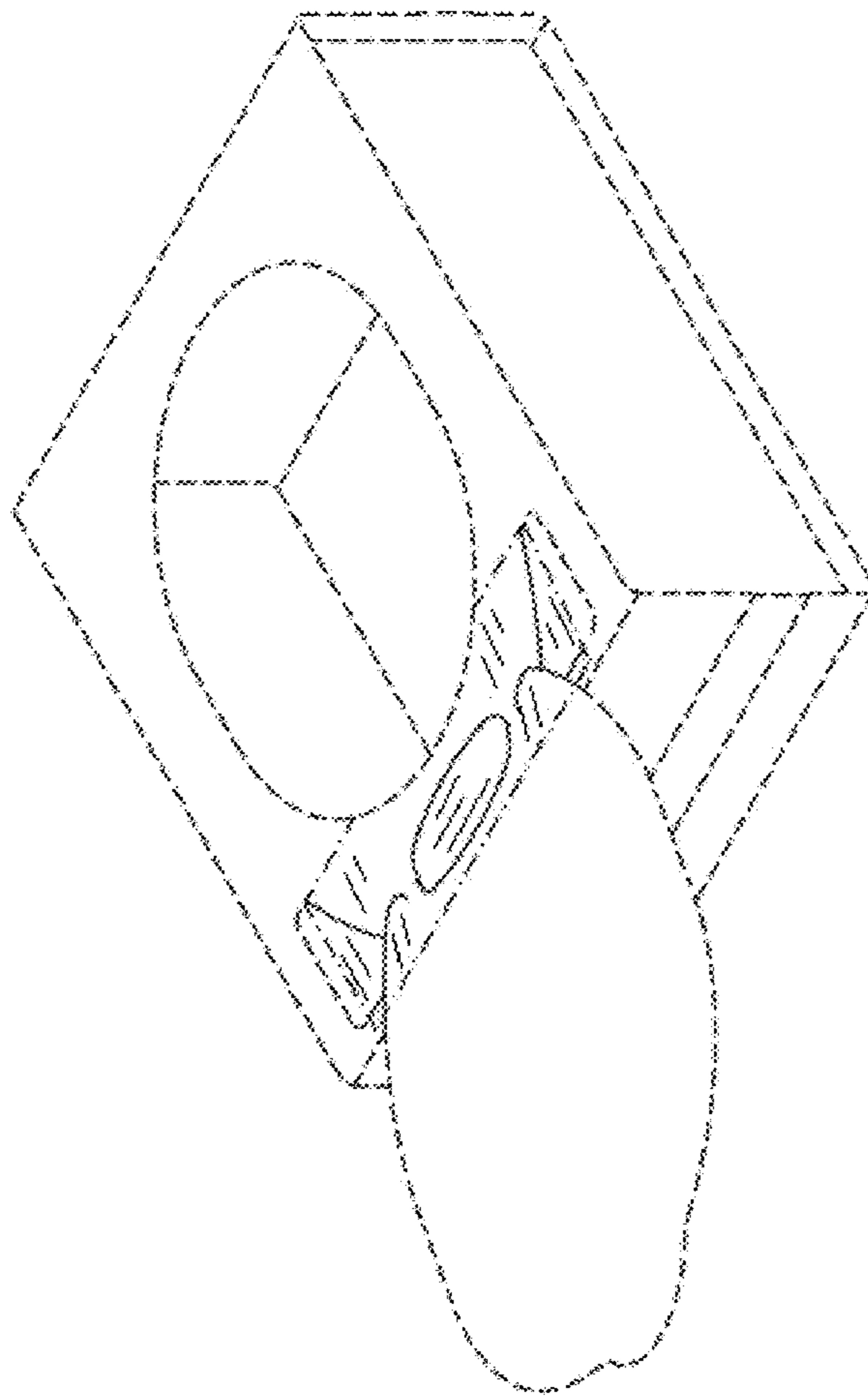


Fig. 9



Fig. 10

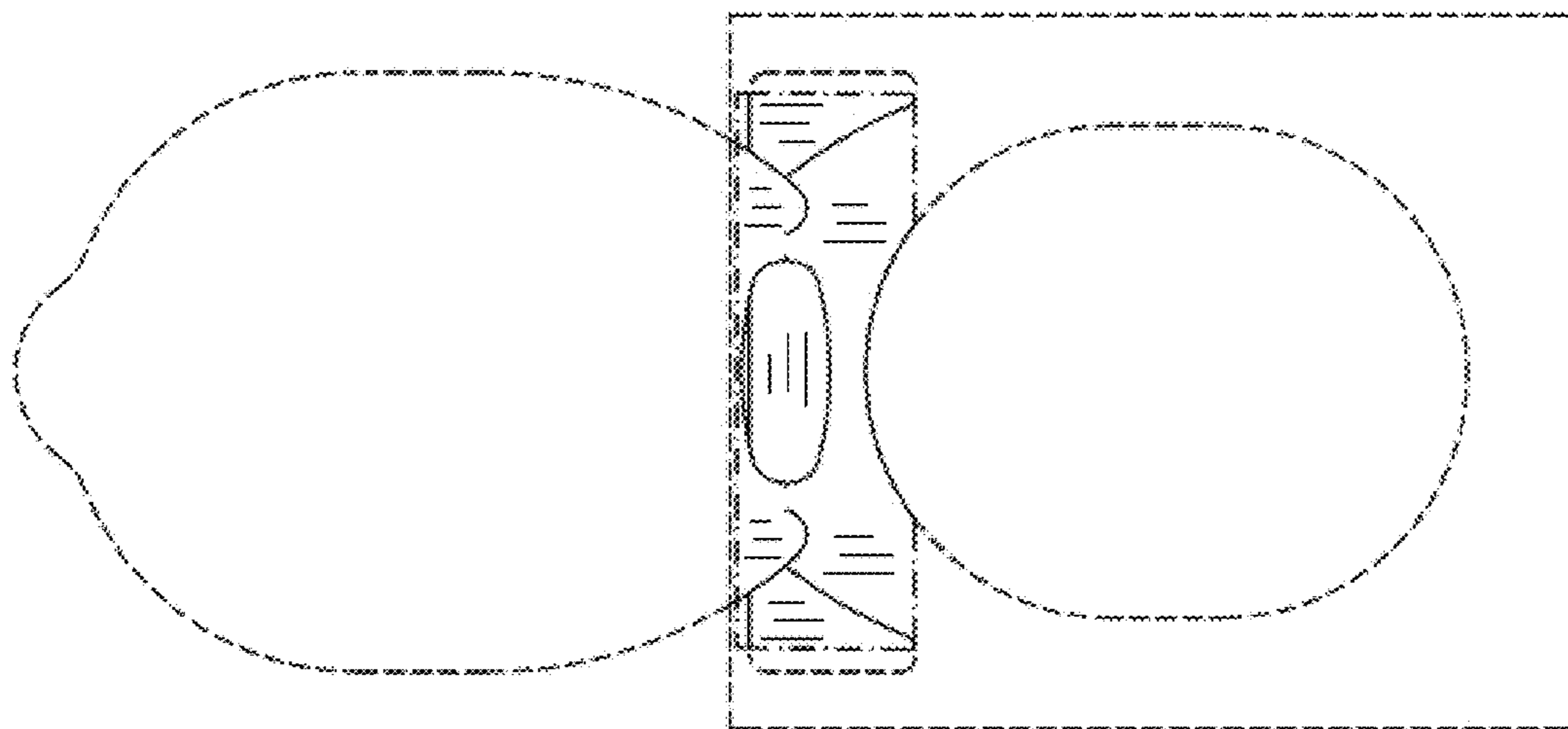


Fig. 11

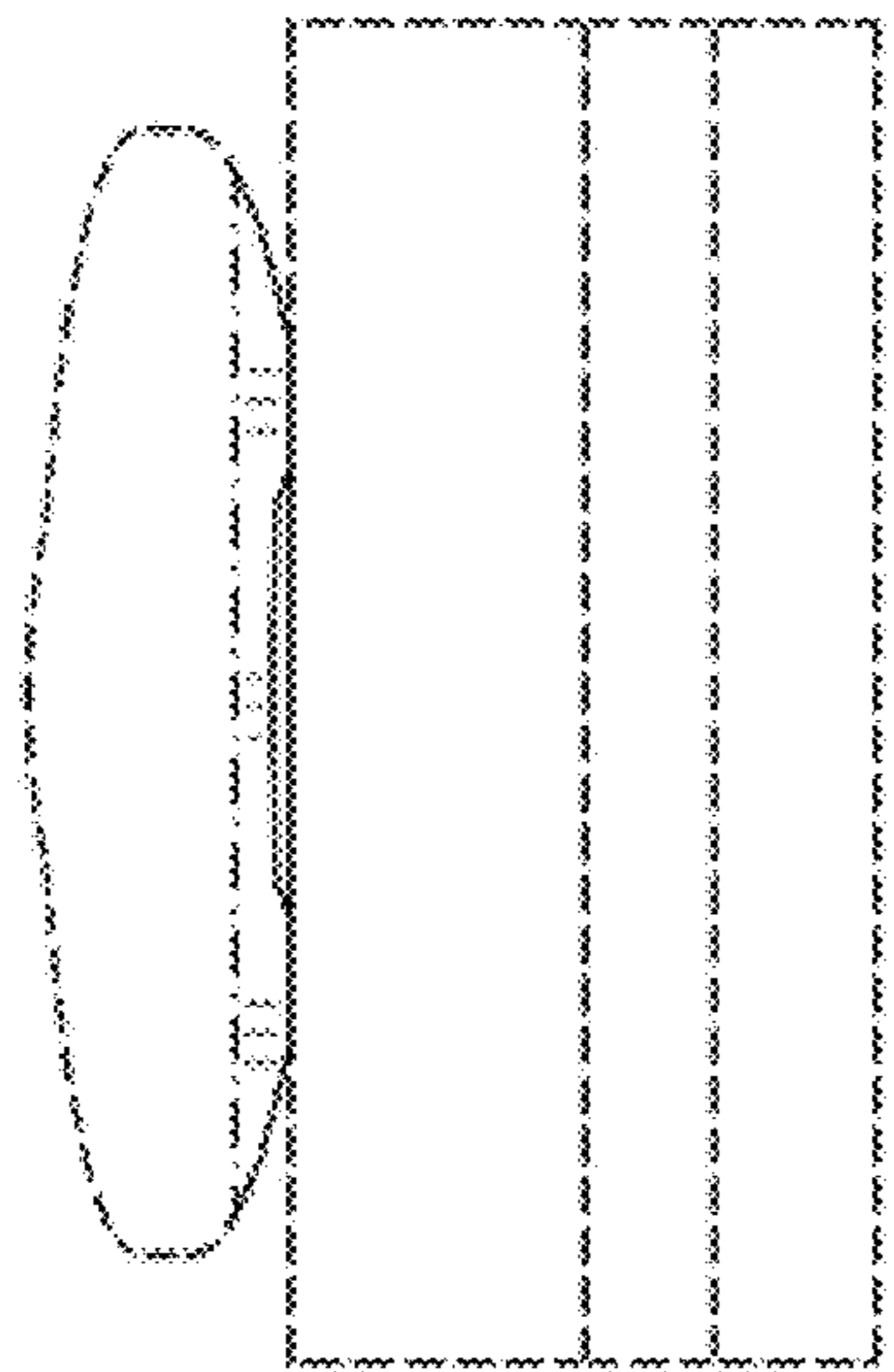


Fig. 12

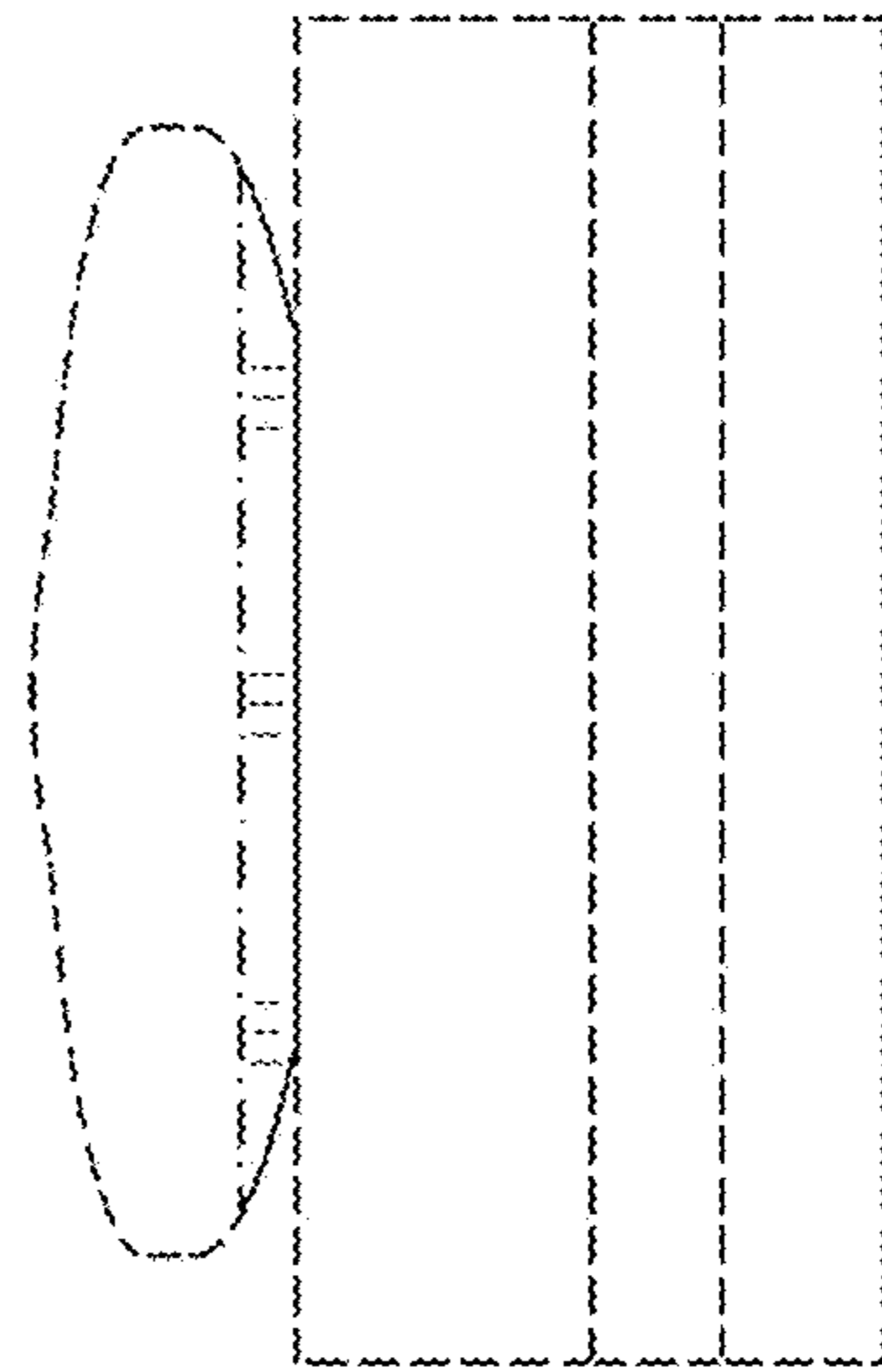


Fig. 13

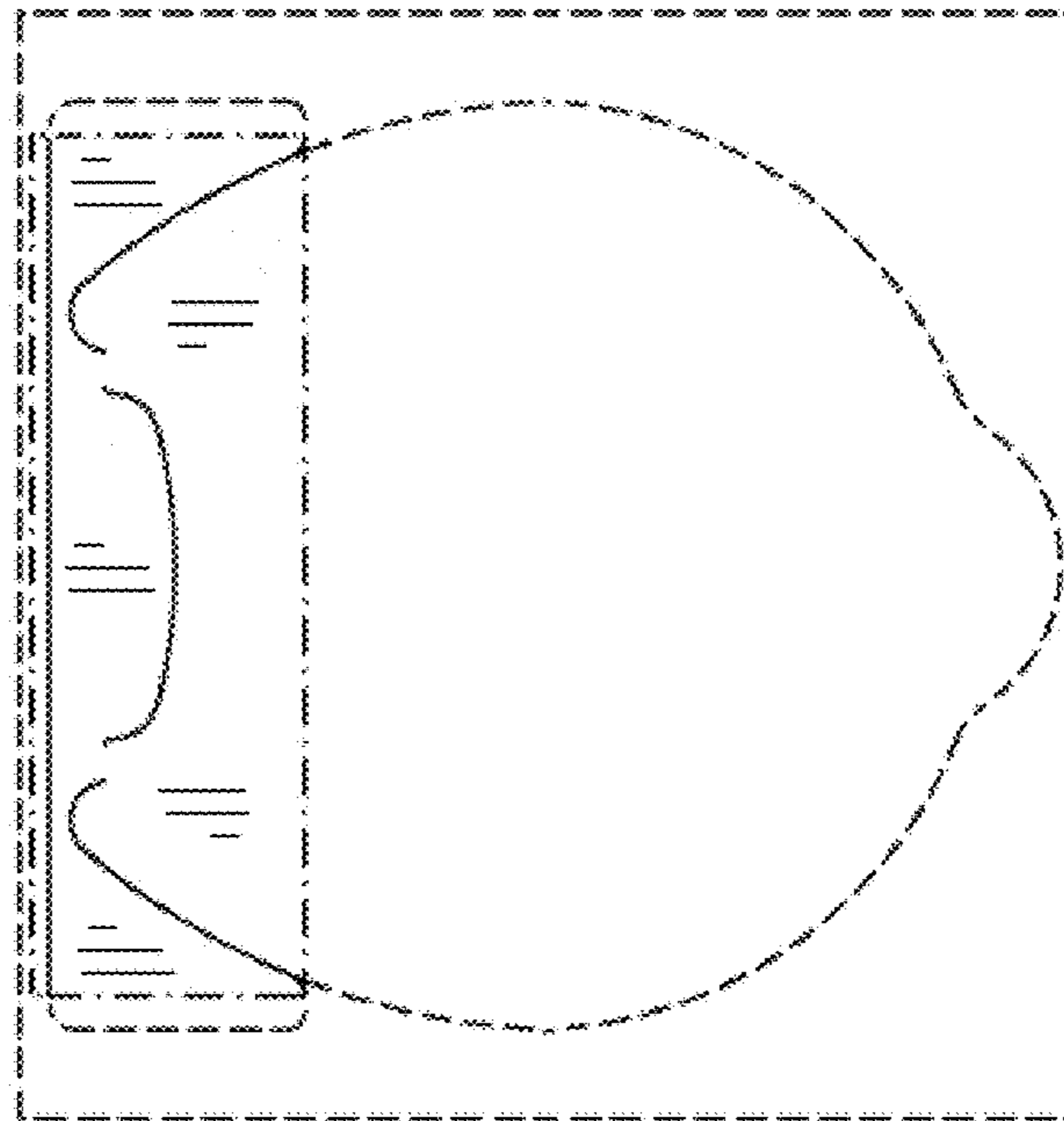


Fig. 14