



US00D842687S

(12) **United States Design Patent**  
**McBride**

(10) **Patent No.:** **US D842,687 S**  
(45) **Date of Patent:** **\*\* Mar. 12, 2019**

(54) **ANTI-KINK GROMMET**

(71) Applicant: **Stacy McBride**, Weatherford, TX (US)

(72) Inventor: **Stacy McBride**, Weatherford, TX (US)

(73) Assignee: **FTW Telecom, LLC**, Fort Worth, TX (US)

(\*\*) Term: **15 Years**

(21) Appl. No.: **29/559,592**

(22) Filed: **Mar. 30, 2016**

(51) **LOC (11) Cl.** ..... **08-08**

(52) **U.S. Cl.**  
USPC ..... **D8/383**

(58) **Field of Classification Search**  
USPC ..... D8/71, 349, 364, 382, 383, 384, 385,  
D8/388, 394, 396, 499, 354, 356  
CPC ..... F16L 3/1226; F16L 5/00; H02G 3/0633;  
B60R 16/0207; B60R 16/0215; B60R  
16/0222

See application file for complete search history.

(56) **References Cited**

**U.S. PATENT DOCUMENTS**

3,638,890	A *	2/1972	Burrell	.....	A47G 25/28
					211/113
4,372,511	A *	2/1983	Knowles	.....	G02B 6/4439
					248/68.1
D312,382	S *	11/1990	Ryll	.....	D8/349
5,399,814	A *	3/1995	Staber	.....	H02G 3/0456
					174/135

(Continued)

*Primary Examiner* — Sandra S Snapp  
*Assistant Examiner* — Ieisha N Price

(74) *Attorney, Agent, or Firm* — James E. Walton

(57) **CLAIM**

The ornamental design for an anti-kink grommet, as shown and described.

**DESCRIPTION**

FIG. 1 is a perspective view of an anti-kink grommet according to the present application.

FIG. 2 is a front view of the anti-kink grommet of FIG. 1.

FIG. 3 is a back view of the anti-kink grommet of FIG. 1.

FIG. 4 is a left side view of the anti-kink grommet of FIG. 1.

FIG. 5 is a right side view of the anti-kink grommet of FIG. 1.

FIG. 6 is a top view of the anti-kink grommet of FIG. 1.

FIG. 7 is a bottom view of the anti-kink grommet of FIG. 1.

FIG. 8 is a perspective view of an alternative embodiment of the anti-kink grommet according to the present application.

FIG. 9 is a front view of the anti-kink grommet of FIG. 8.

FIG. 10 is a back view of the anti-kink grommet of FIG. 8.

FIG. 11 is a left side view of the anti-kink grommet of FIG. 8.

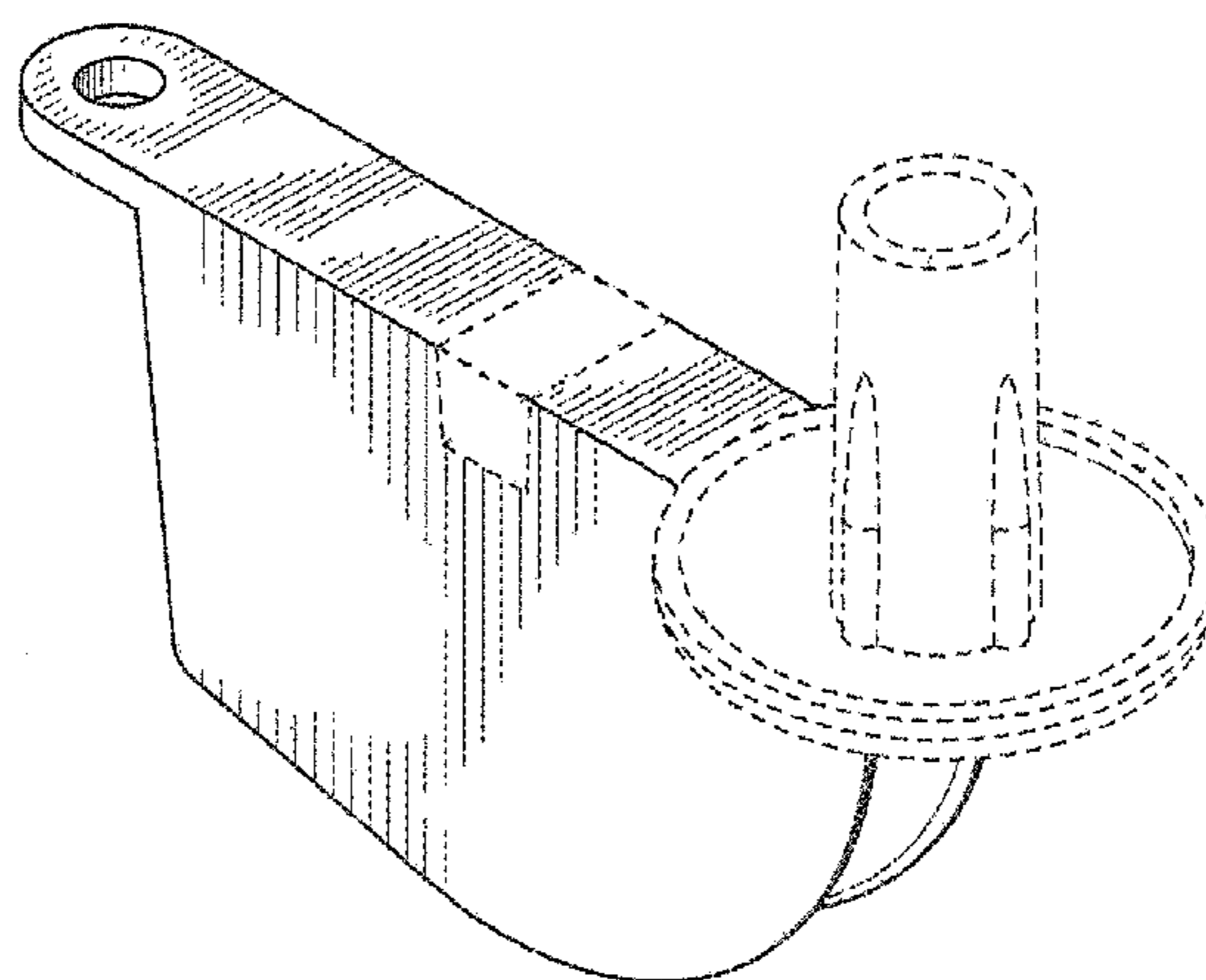
FIG. 12 is a right side view of the anti-kink grommet of FIG. 8.

FIG. 13 is a top view of the anti-kink grommet of FIG. 8; and,

FIG. 14 is a bottom view of the anti-kink grommet of FIG. 8.

The evenly-spaced broken lines in all views are directed to the environment, are for informational purposes only, and form no part of the claimed design. The surface shading lines on the claimed portion are provided only to indicate the character and/or any contour or curvature of the surfaces, and do not indicate color, texture, markings that actually exist thereon, indicia, graphic representations, surface treatment, or any other ornamentation applied to the article.

**1 Claim, 8 Drawing Sheets**



(56)

**References Cited**

U.S. PATENT DOCUMENTS

5,939,680 A \* 8/1999 Gretz ..... H02G 3/26  
174/135  
D414,677 S \* 10/1999 Davies ..... D8/354  
6,012,684 A \* 1/2000 Umney ..... F01D 25/00  
248/65  
6,013,875 A \* 1/2000 Fridenberg ..... H02G 3/22  
174/135  
6,467,734 B1 \* 10/2002 Brown ..... E03C 1/021  
248/65  
D534,059 S \* 12/2006 Goldenberg ..... D8/354  
D642,451 S \* 8/2011 Gaudron ..... D8/385  
8,683,625 B1 \* 4/2014 Straub ..... F16L 3/01  
4/654  
D735,024 S \* 7/2015 Liu ..... D8/394  
9,243,724 B1 \* 1/2016 Lake ..... F16L 3/1058  
2003/0141102 A1 \* 7/2003 Doshita ..... B60R 16/0215  
174/135  
2004/0164576 A1 \* 8/2004 Wright ..... B60R 16/0215  
296/1.01  
2007/0001080 A1 \* 1/2007 Marioni ..... F16L 3/003  
248/309.1  
2007/0034750 A1 \* 2/2007 Pierce ..... F16L 3/1218  
248/49

\* cited by examiner

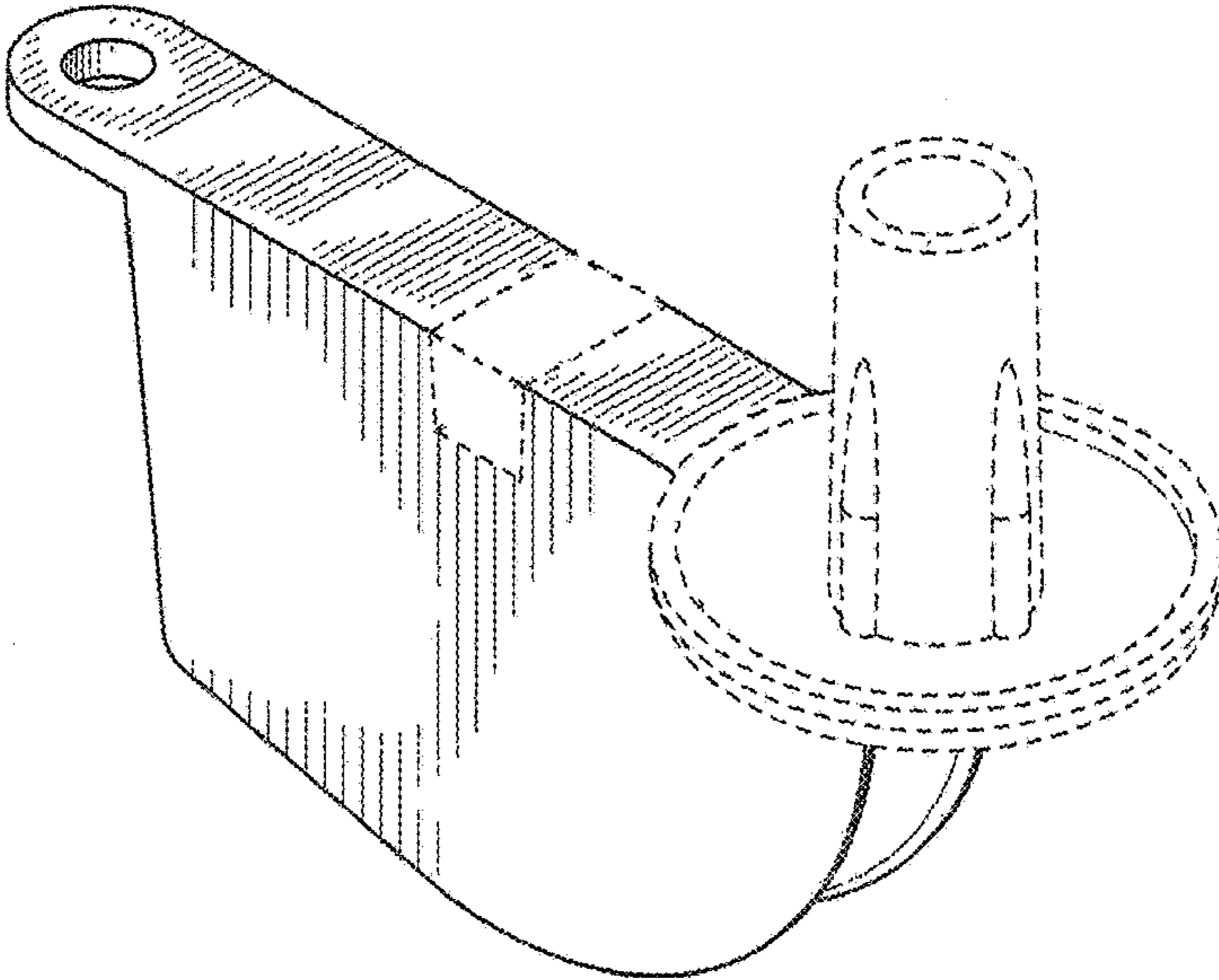


FIG. 1

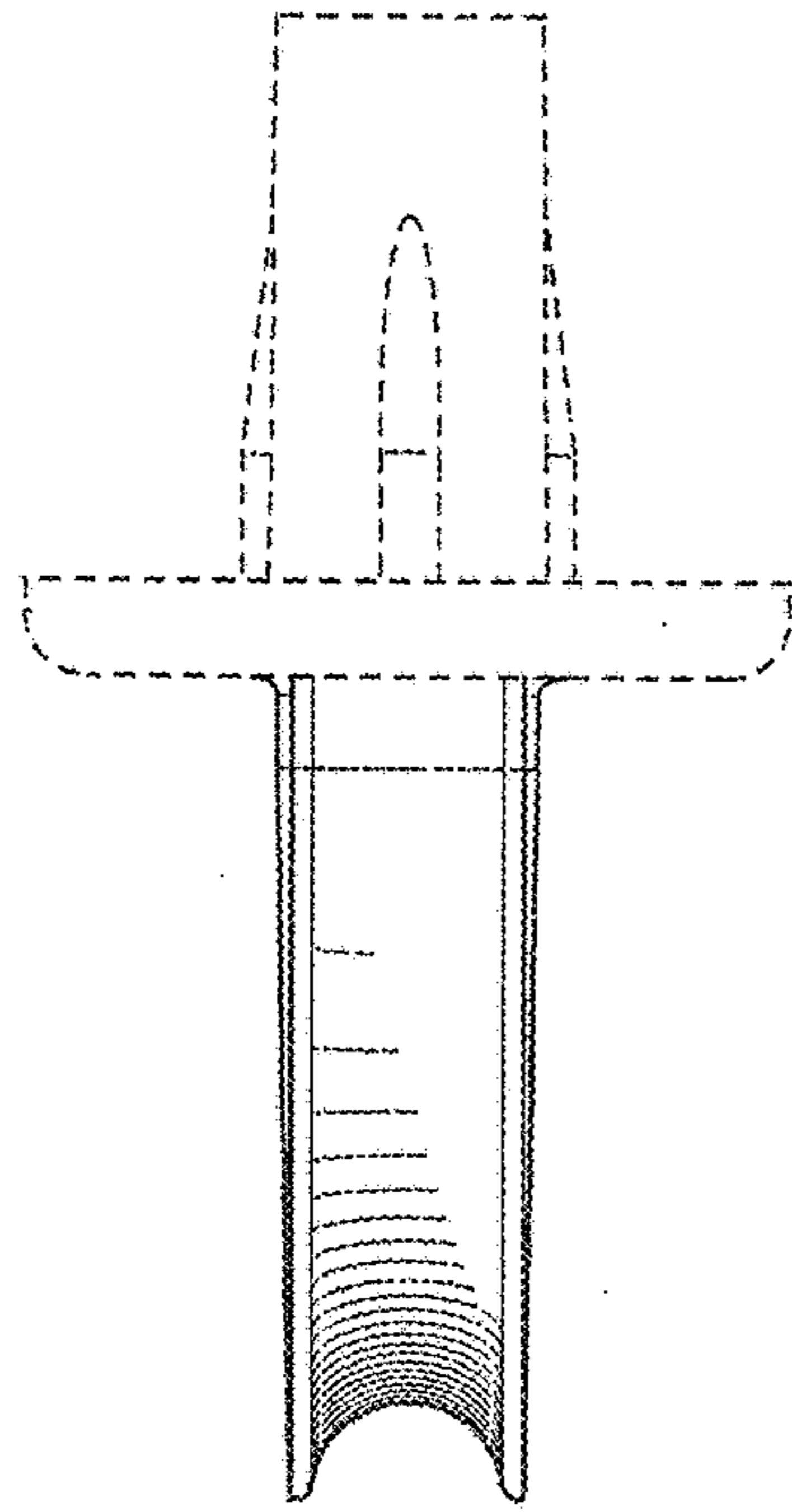


FIG. 2

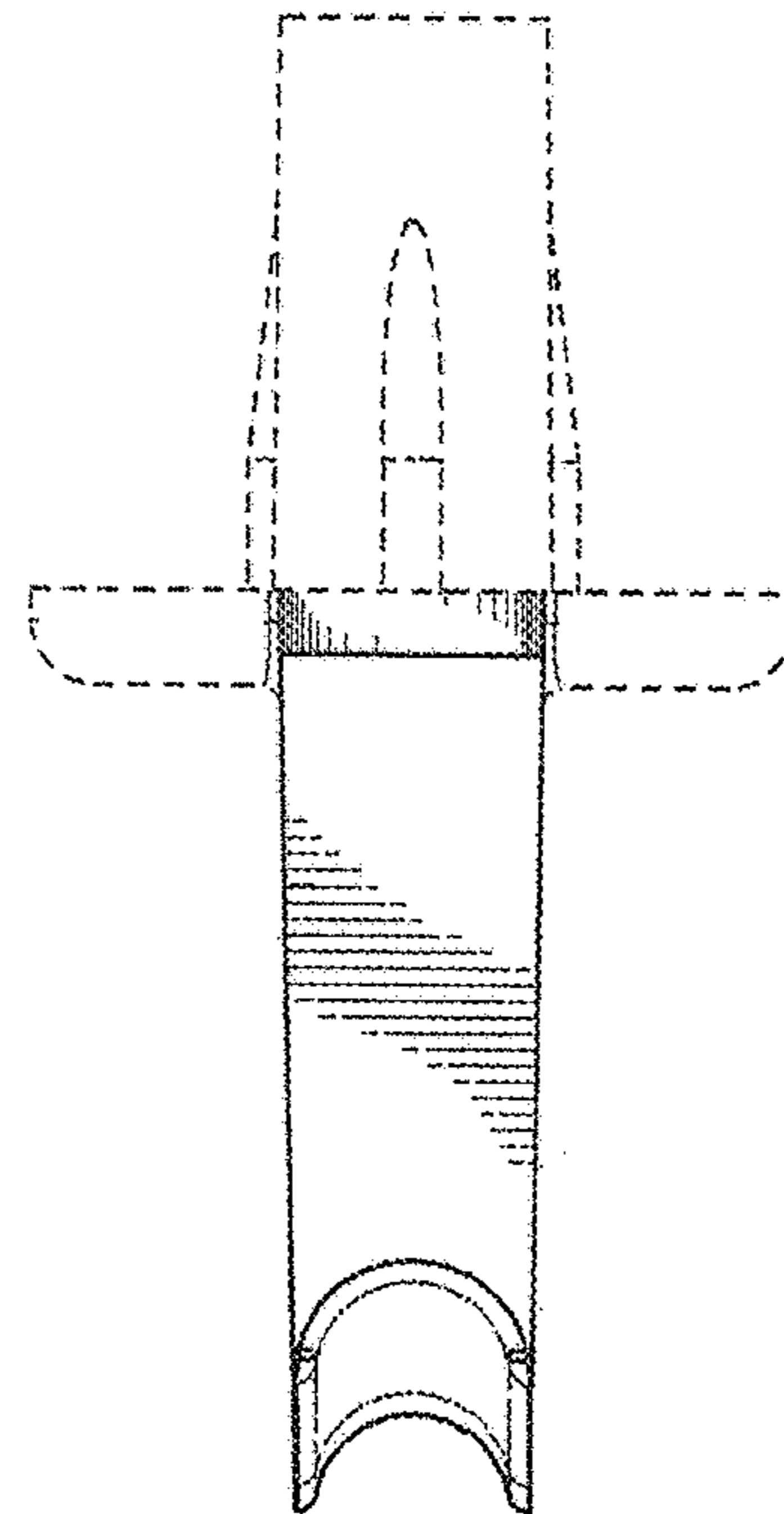


FIG. 3

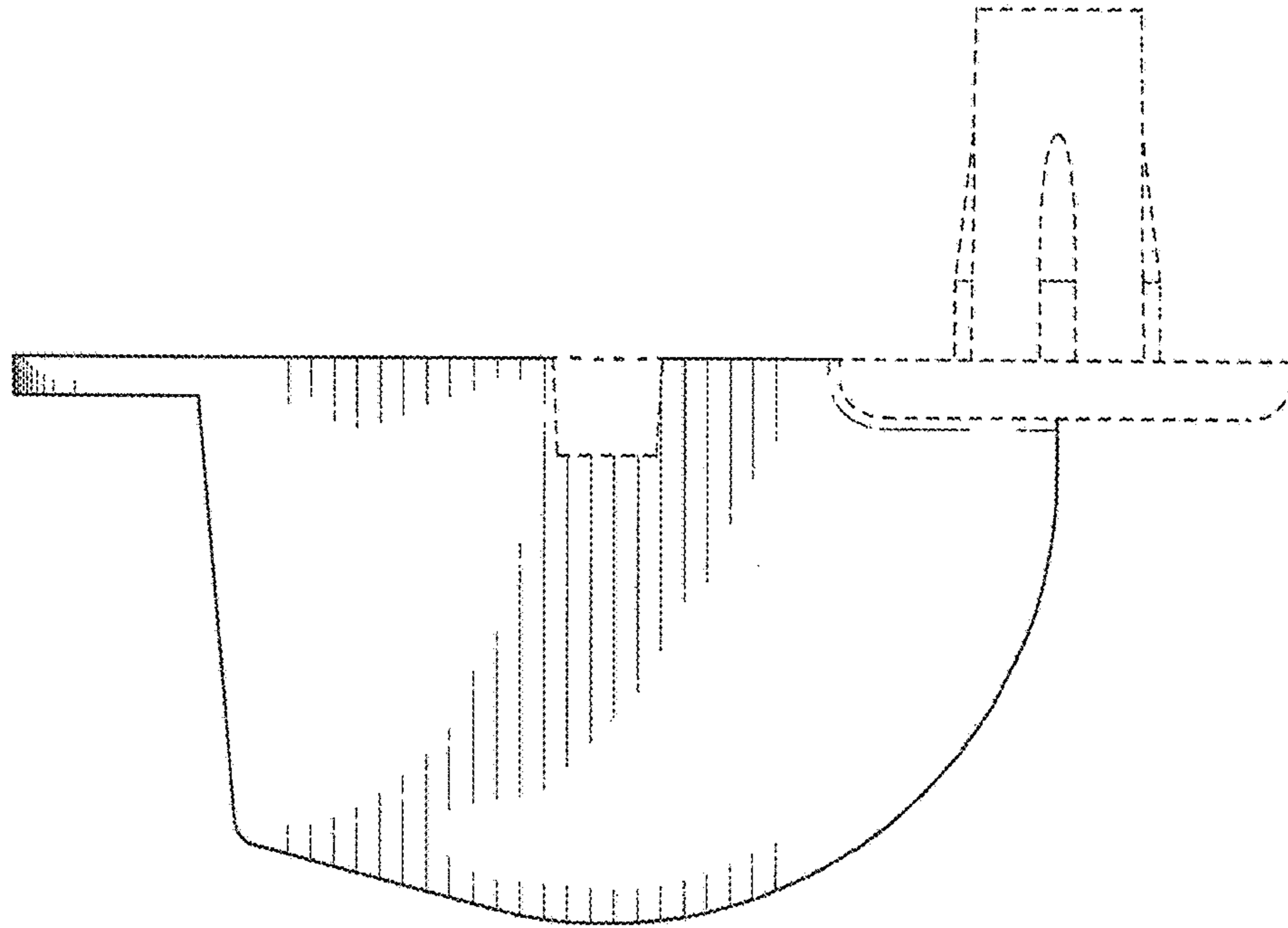


FIG. 4

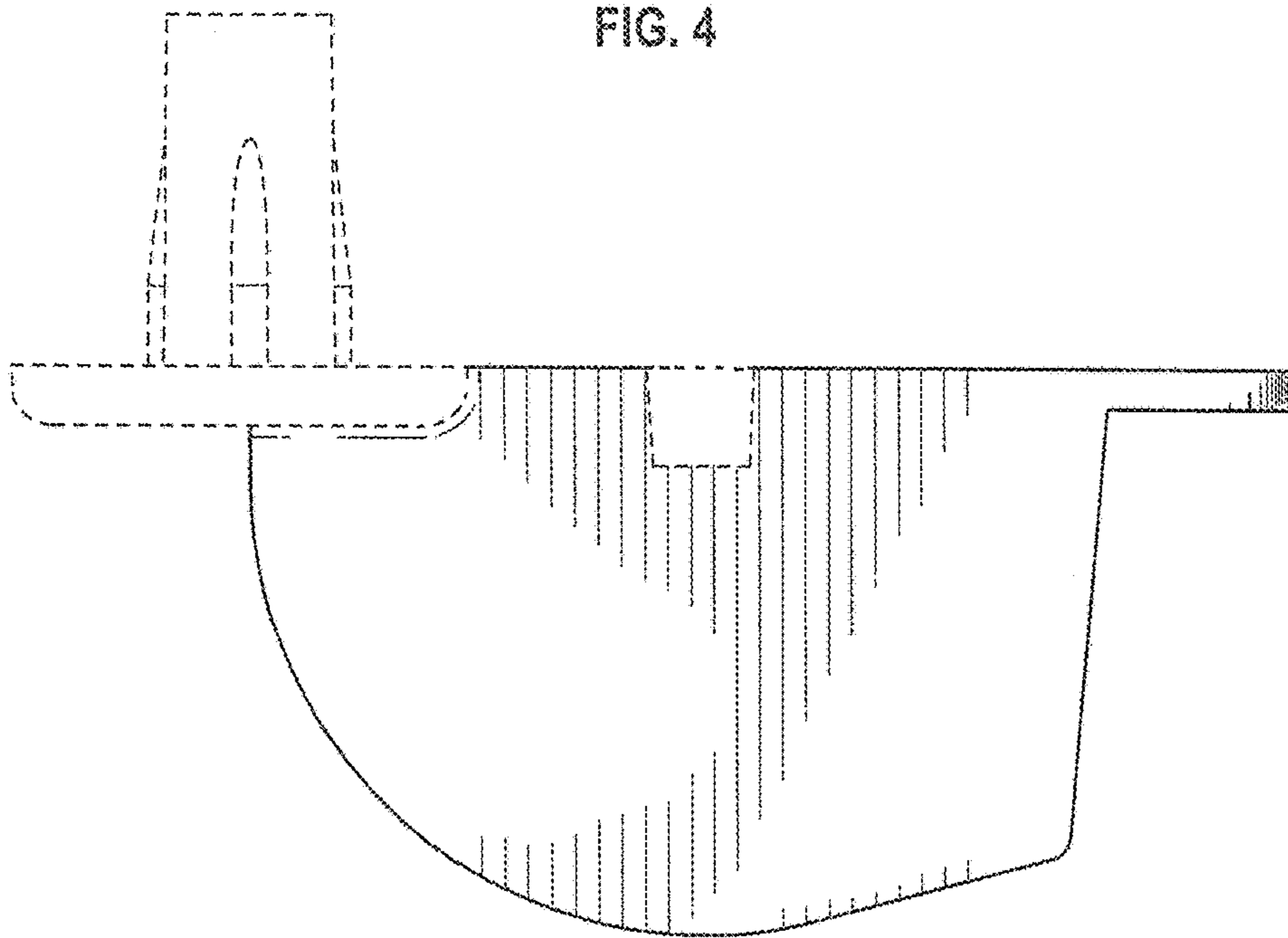


FIG. 5

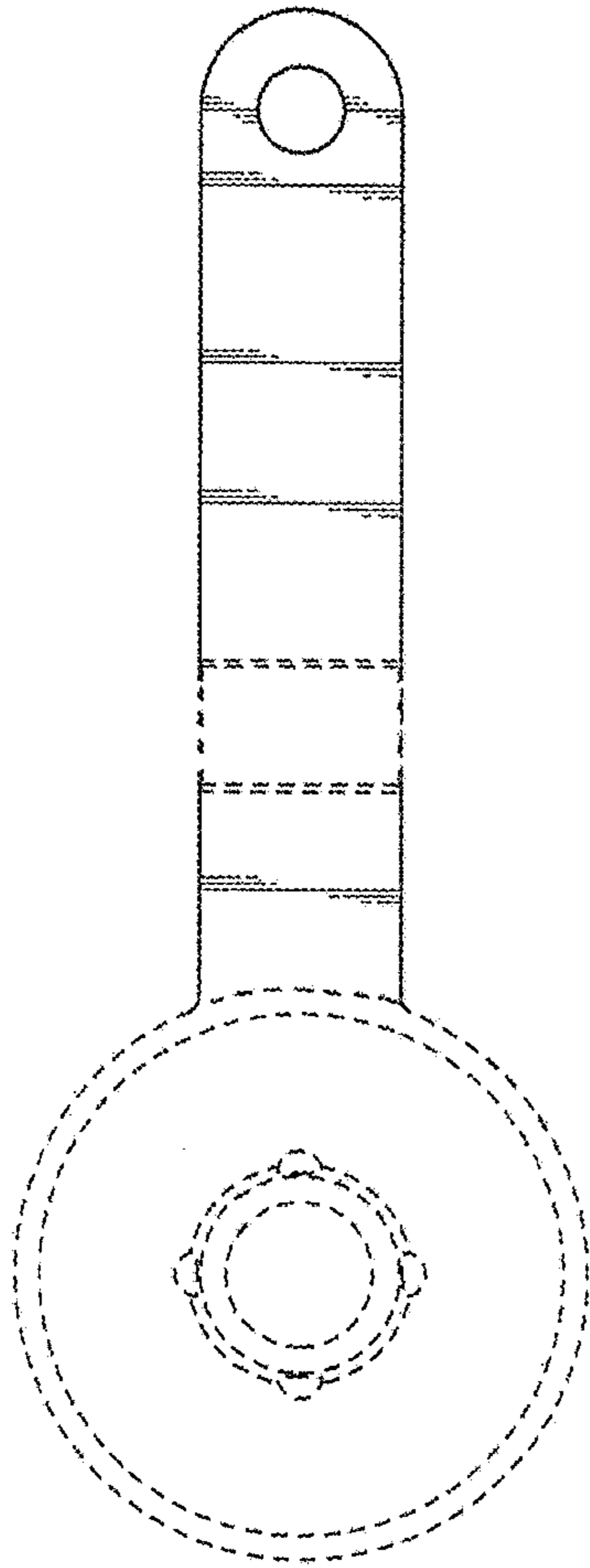


FIG. 6

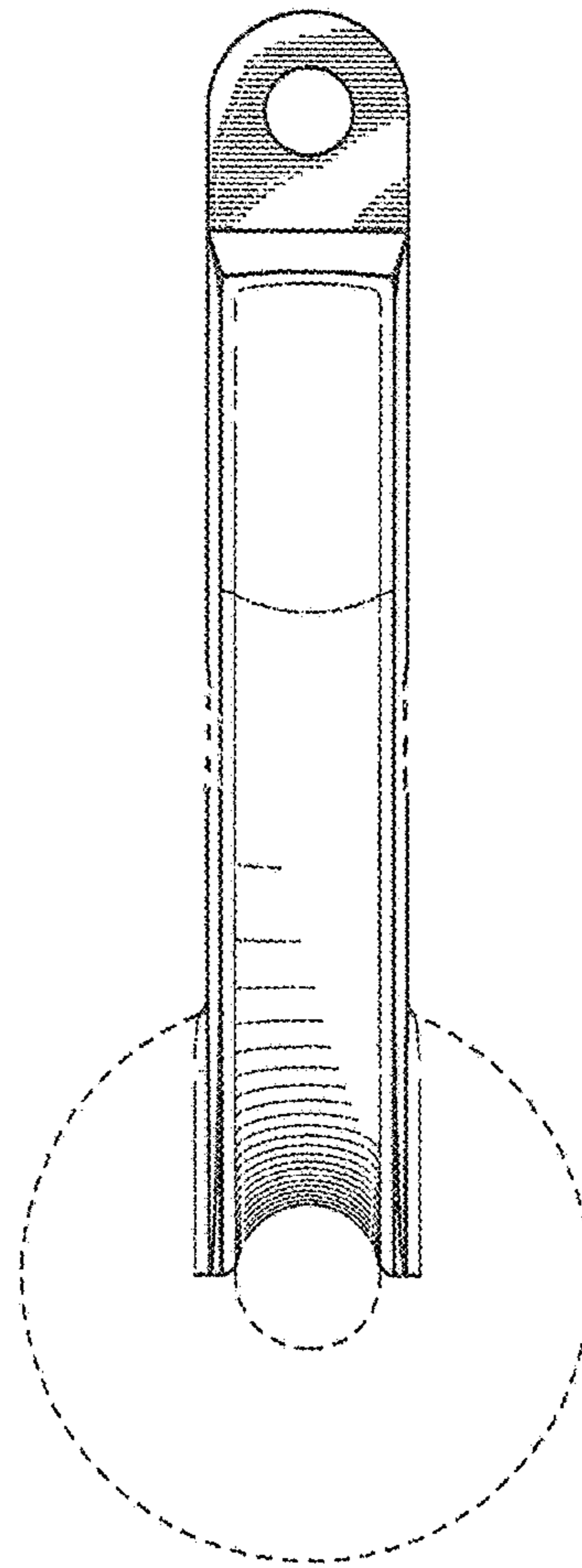


FIG. 7

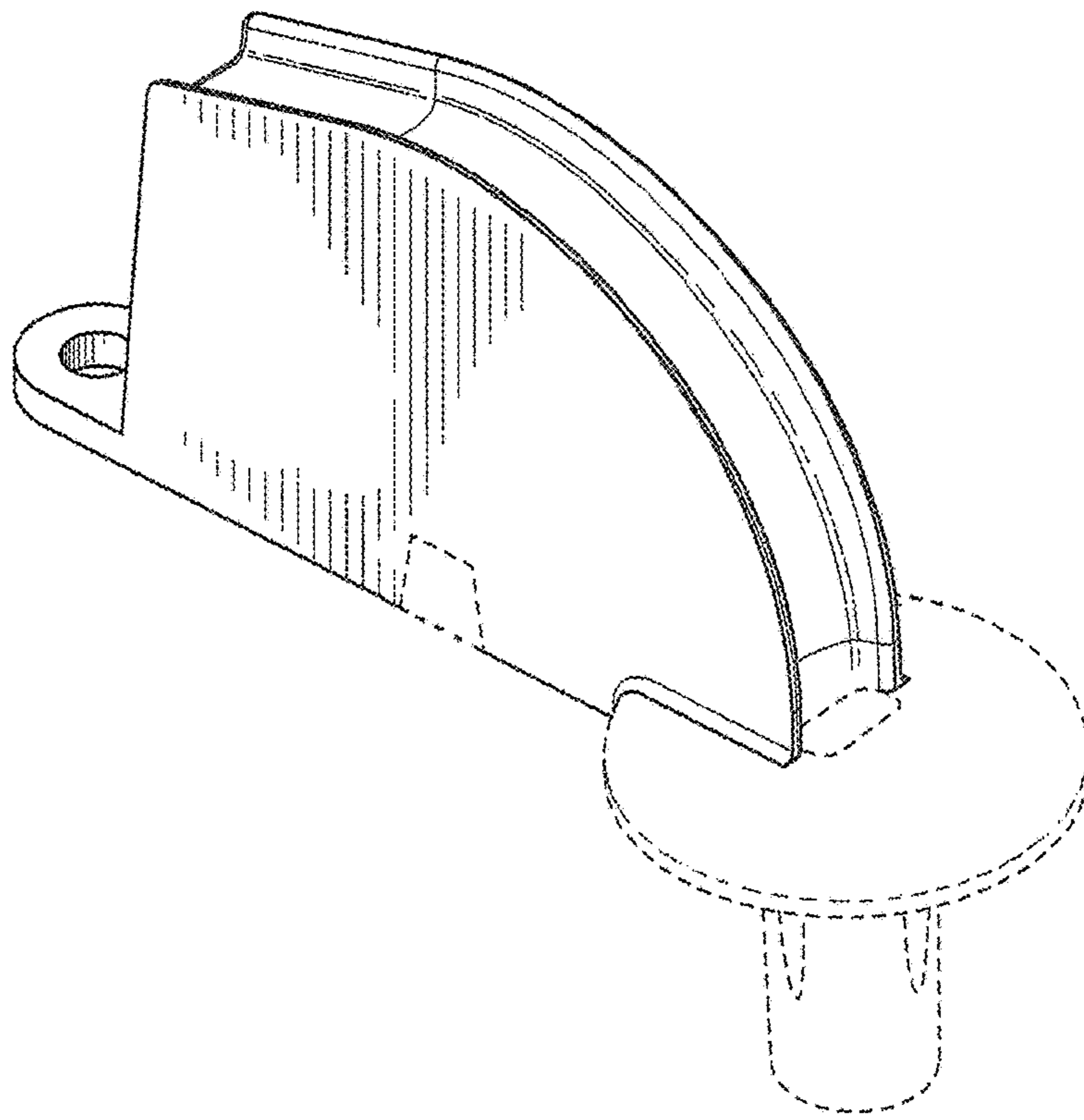


FIG. 8

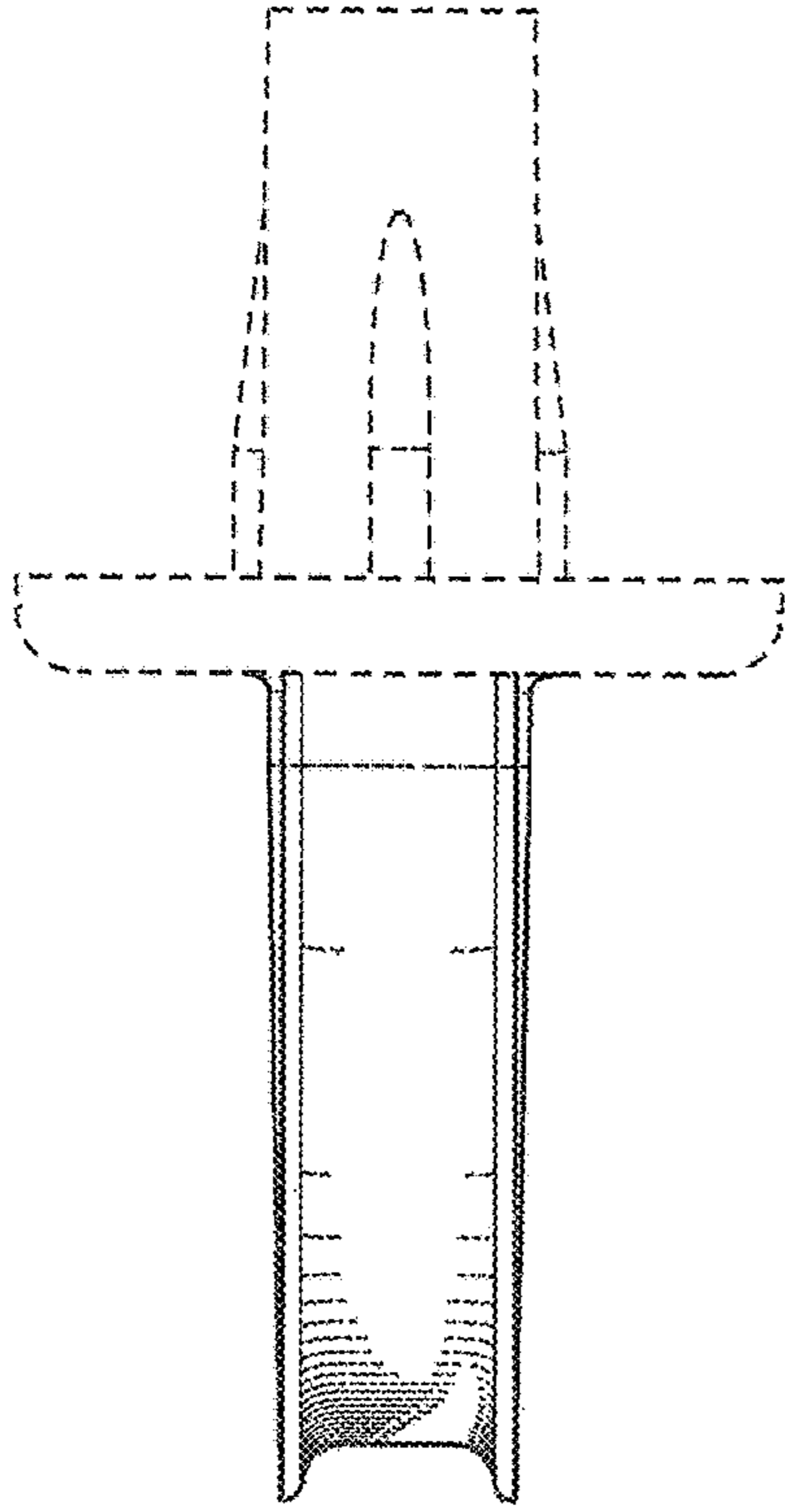


FIG. 9

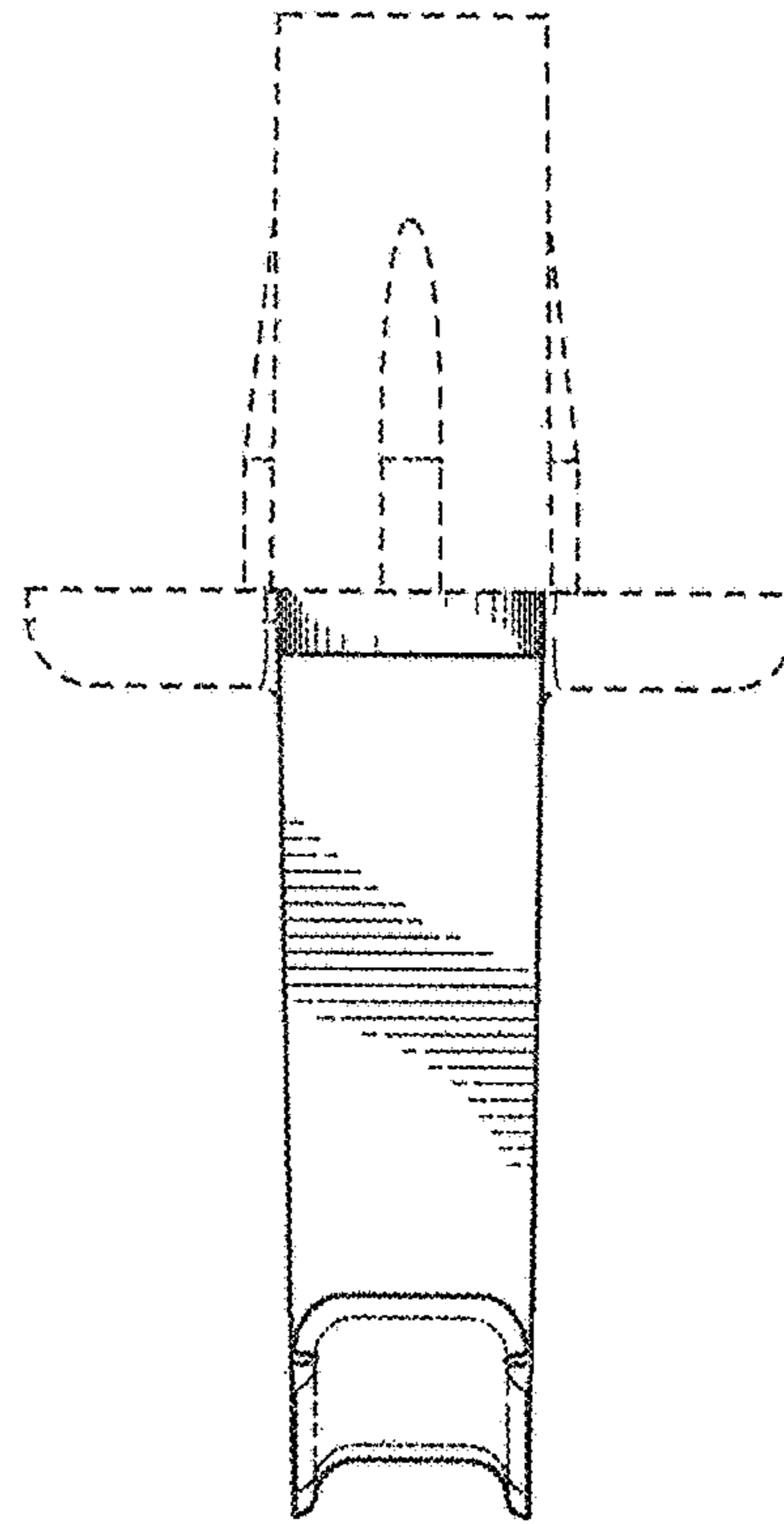


FIG. 10



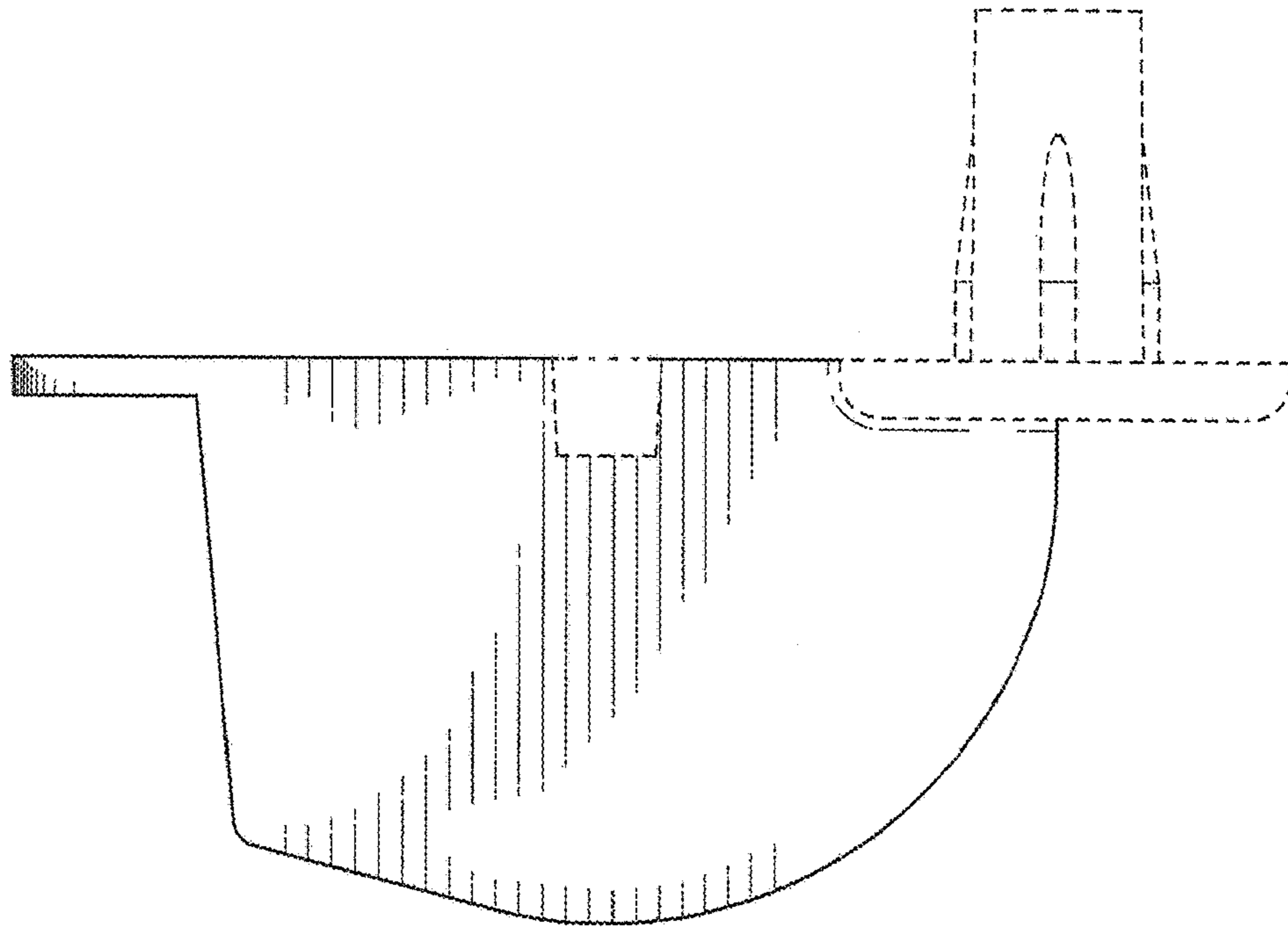


FIG. 11

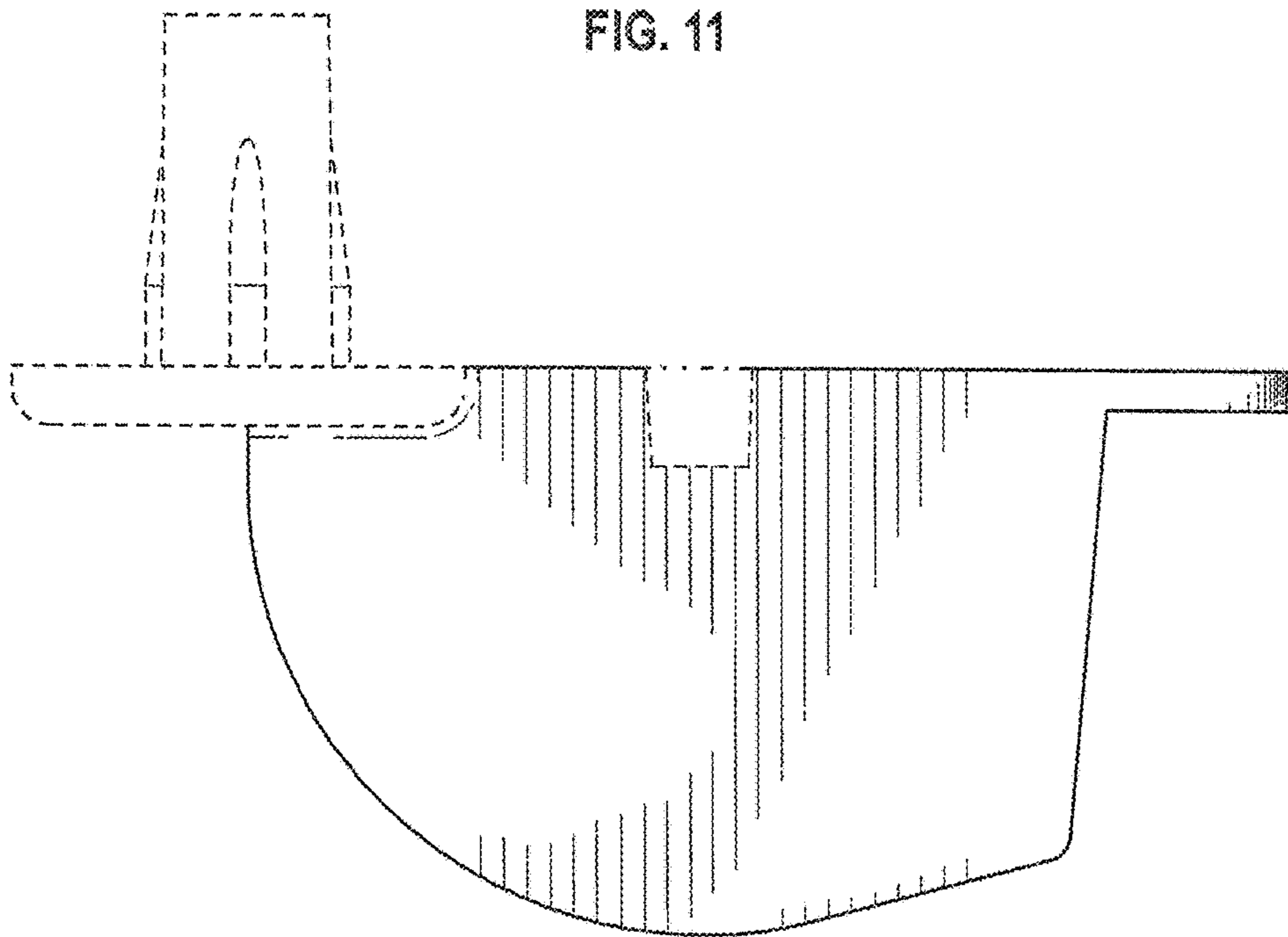


FIG. 12

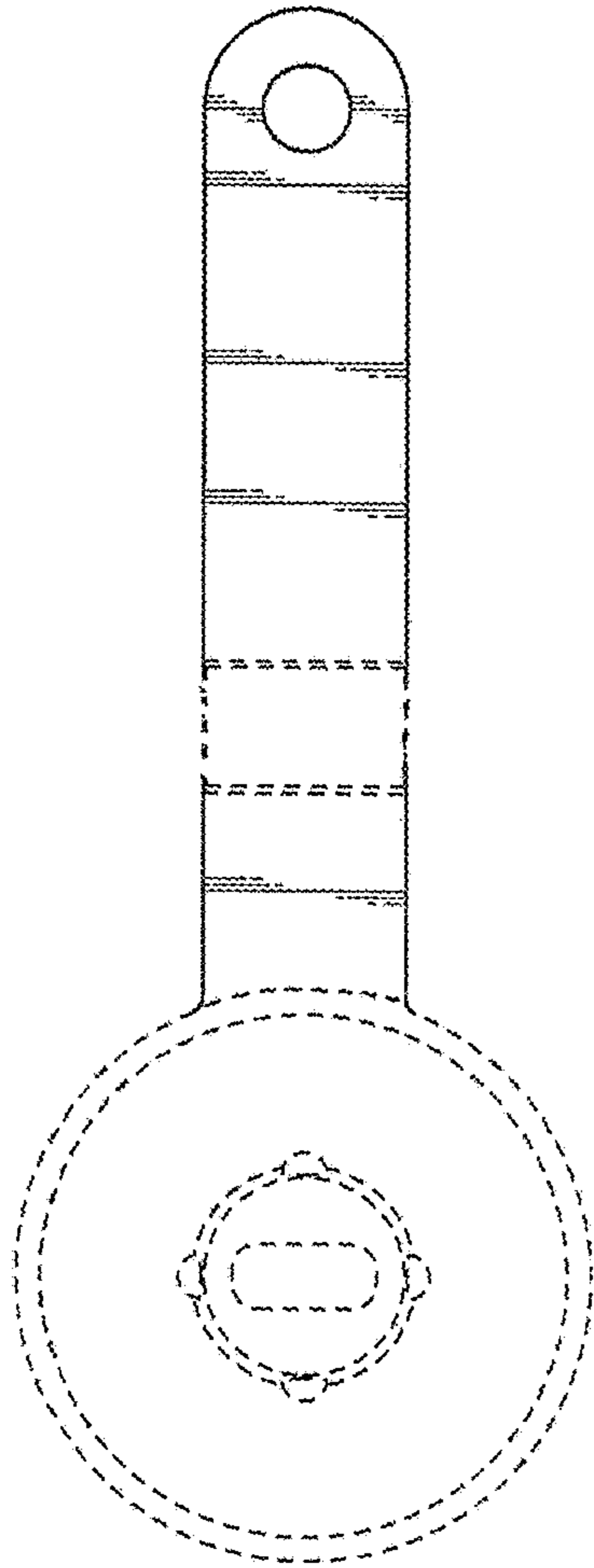


FIG. 13

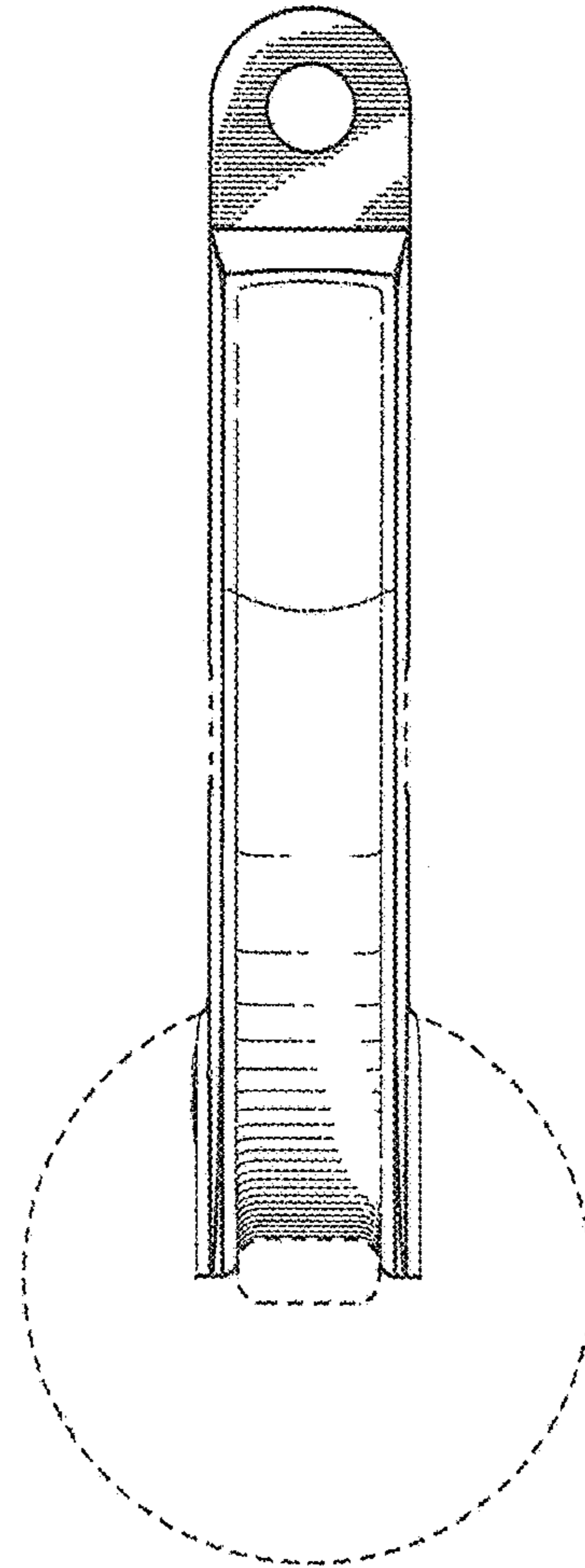


FIG. 14