



US00D842685S

(12) **United States Design Patent**
Ito et al.

(10) **Patent No.:** **US D842,685 S**
(45) **Date of Patent:** **** Mar. 12, 2019**

- (54) **SPACER**
- (71) Applicant: **SMC CORPORATION**, Tokyo (JP)
- (72) Inventors: **Shinichi Ito**, Toride (JP); **Makoto Wada**, Tsukuba (JP)
- (73) Assignee: **SMC CORPORATION**, Tokyo (JP)
- (**) Term: **15 Years**
- (21) Appl. No.: **29/645,044**
- (22) Filed: **Apr. 23, 2018**

Related U.S. Application Data

- (63) Continuation of application No. 29/535,263, filed on Aug. 5, 2015, now Pat. No. Des. 829,081.

(30) **Foreign Application Priority Data**

Feb. 6, 2015 (CN) 2015 3 0036701

- (51) **LOC (11) Cl.** **08-08**

- (52) **U.S. Cl.**
USPC **D8/354**

- (58) **Field of Classification Search**
USPC D8/354, 349, 355, 356, 363, 373, 380,
D8/382, 396, 499; D23/359, 269, 235,
D23/249
CPC F15B 21/048; F15B 21/04; F16L 17/06;
F16L 23/12; F16L 23/04
See application file for complete search history.

(56) **References Cited**

U.S. PATENT DOCUMENTS

4,495,548 A	1/1985	Matsui
5,372,392 A	12/1994	Dunn et al.
5,383,689 A	1/1995	Wolfe, Sr.
D392,544 S	3/1998	Nakamura
D455,721 S	4/2002	Nakamura

D460,743 S	7/2002	Nakamura
7,300,299 B2	11/2007	Wang
8,061,385 B2	11/2011	Kaitsuka
D696,097 S	12/2013	Wada et al.
D696,098 S	12/2013	Wada et al.
D696,099 S	12/2013	Wada et al.
D696,100 S	12/2013	Wada et al.
D696,101 S	12/2013	Wada et al.
9,027,970 B2	5/2015	Wada et al.
9,314,726 B2	4/2016	Yamase et al.
2003/0006097 A1	1/2003	Tomita et al.
2014/0084585 A1	3/2014	Wada et al.

Primary Examiner — Mark A Goodwin

(74) *Attorney, Agent, or Firm* — Birch, Stewart, Kolasch & Birch, LLP

(57) **CLAIM**

The ornamental design for a spacer, as shown.

DESCRIPTION

FIG. 1 is a front, top and left side perspective view of a spacer showing a first embodiment of our new design; FIG. 2 is a rear, top and right side perspective view thereof; FIG. 3 is a front view thereof; FIG. 4 is a rear view thereof; FIG. 5 is a top plan view thereof; FIG. 6 is a bottom plan view thereof; FIG. 7 is a left side view thereof; FIG. 8 is a right side view thereof; FIG. 9 is a front, top and left side perspective view of a spacer showing a second embodiment of our new design; FIG. 10 is a rear, top and right side perspective view of FIG. 9; FIG. 11 is a front view of FIG. 9; FIG. 12 is a rear view of FIG. 9; FIG. 13 is a top plan view of FIG. 9; FIG. 14 is a bottom plan view of FIG. 9; FIG. 15 is a left side view of FIG. 9; and, FIG. 16 is a right side view of FIG. 9.

1 Claim, 16 Drawing Sheets

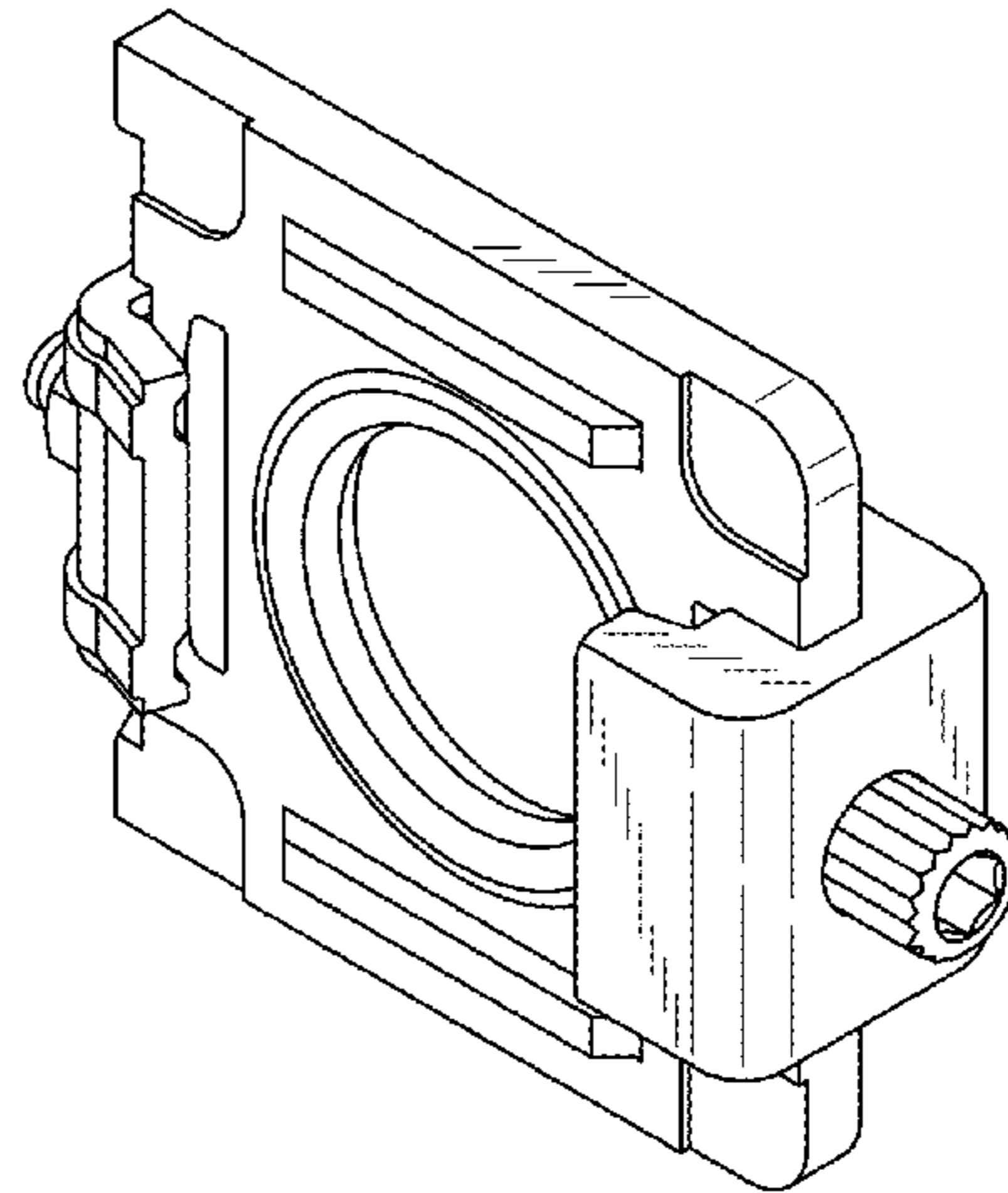
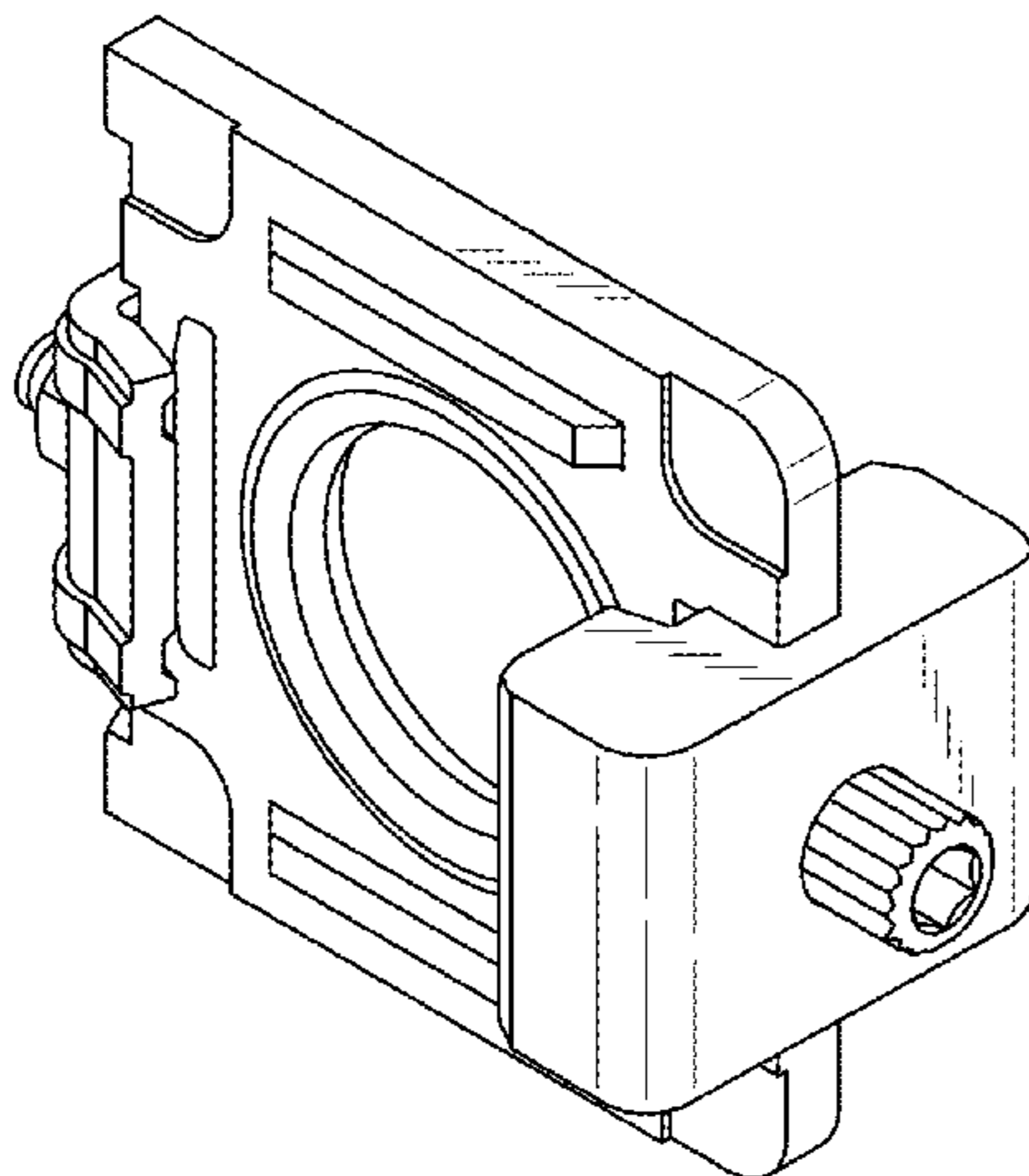


FIG. 1

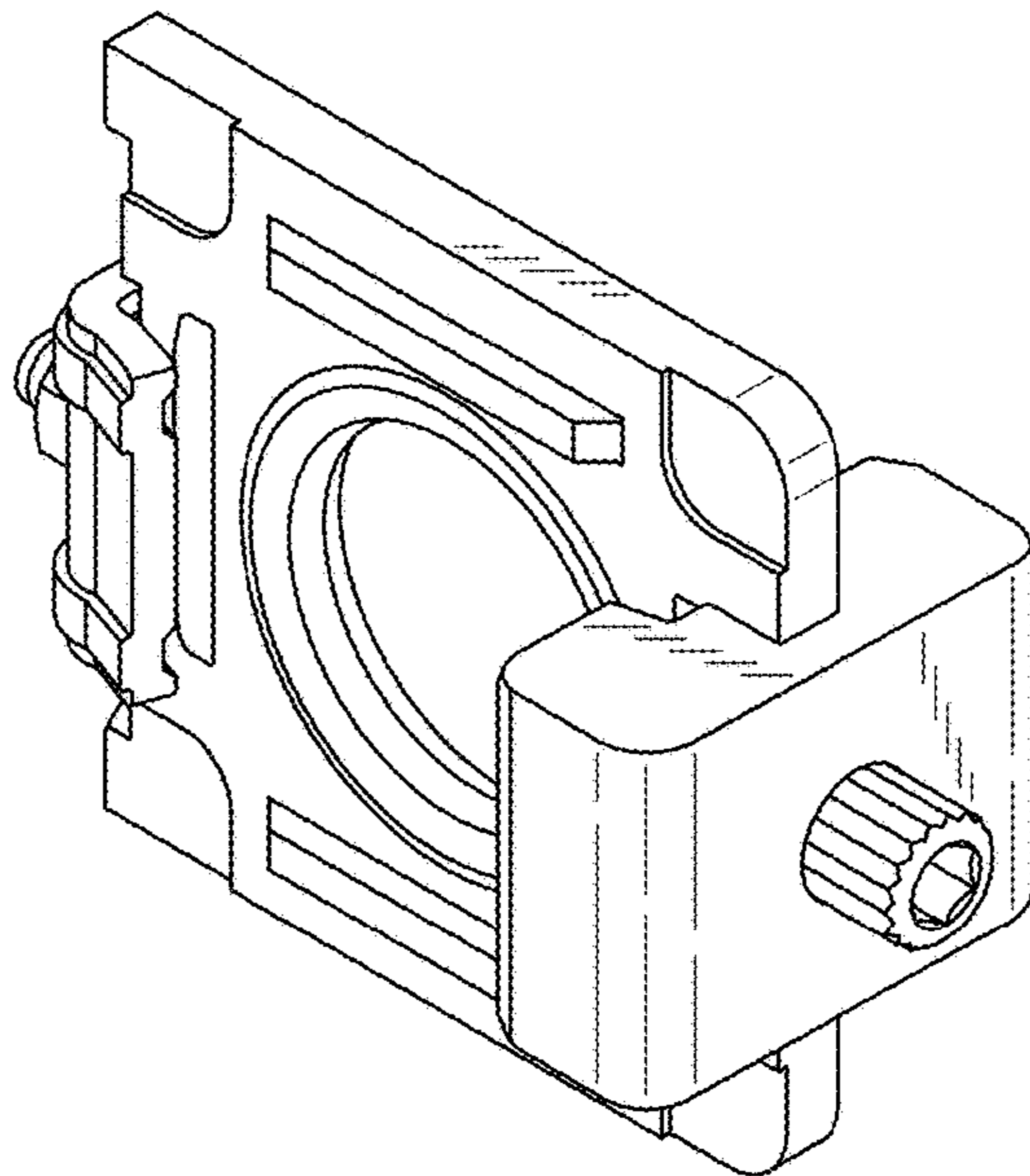


FIG. 2

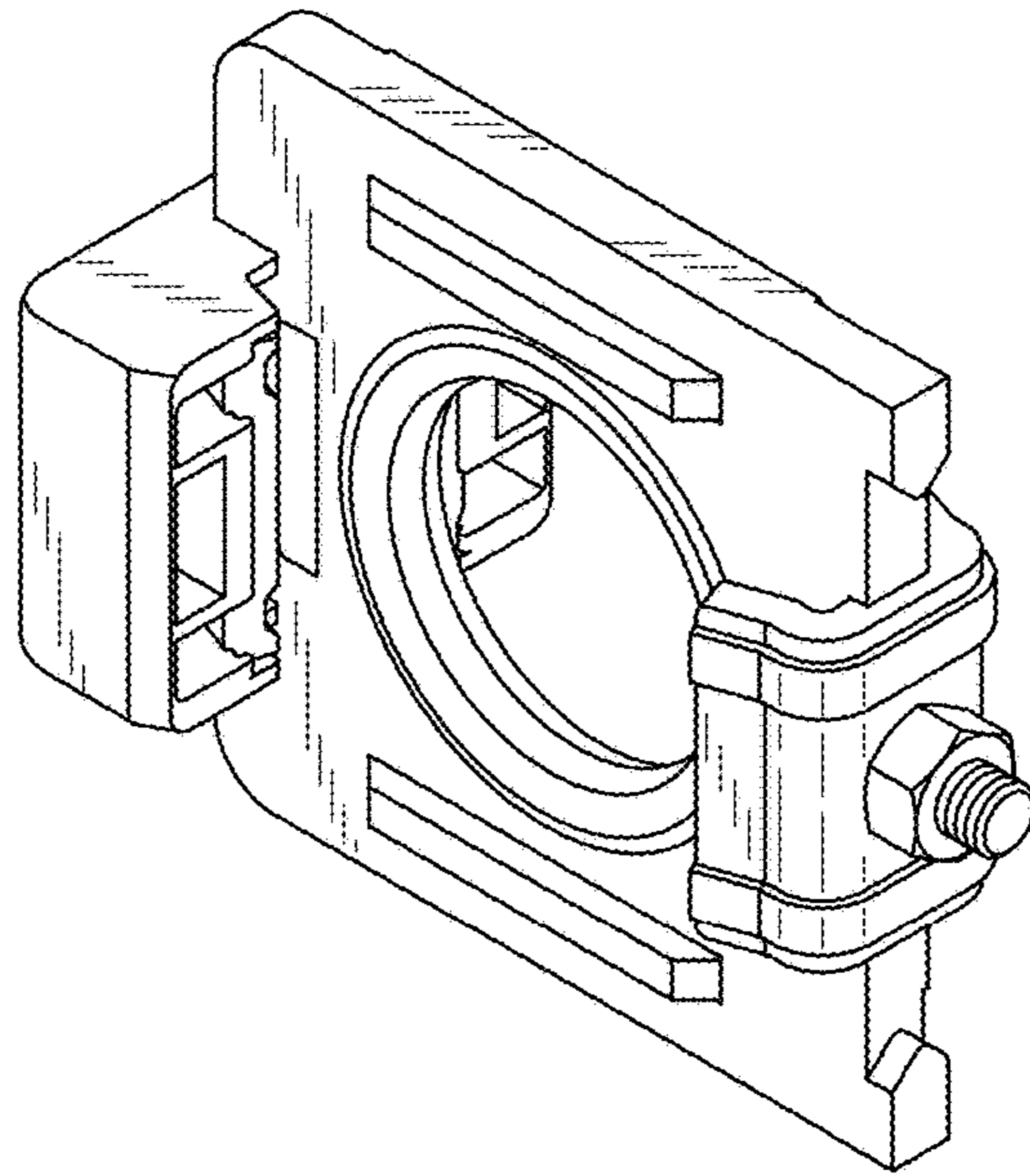


FIG. 3

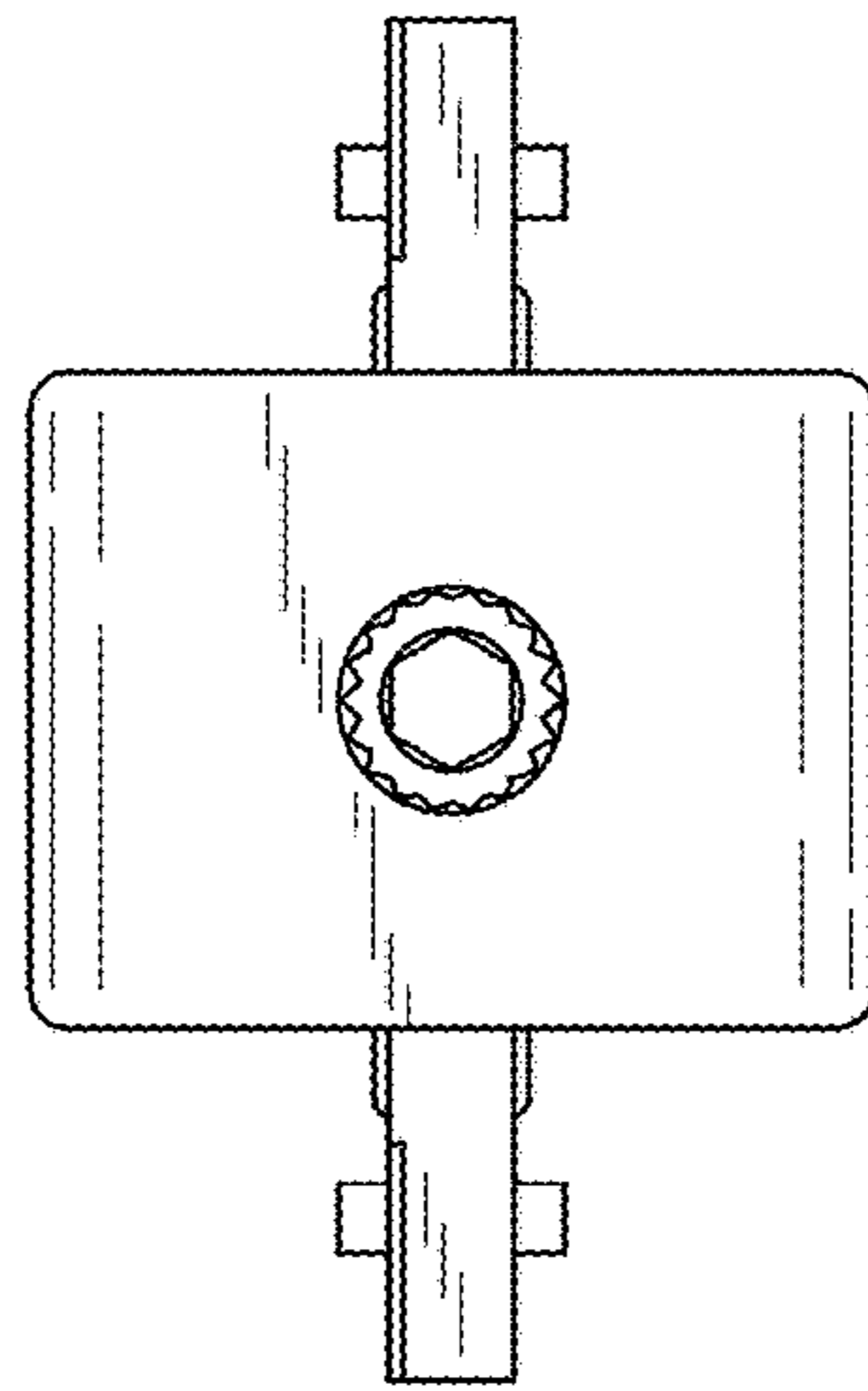


FIG. 4

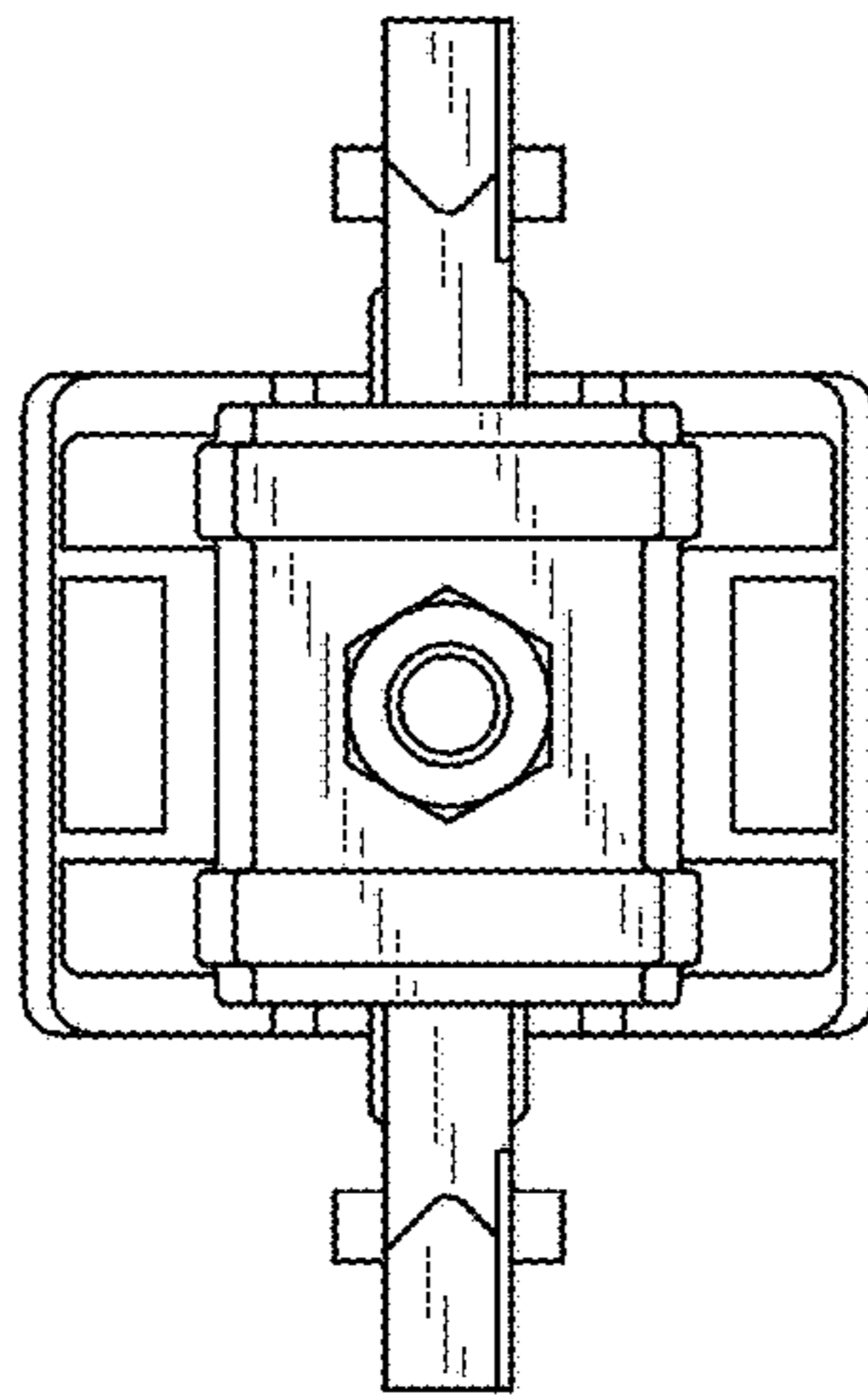


FIG. 5

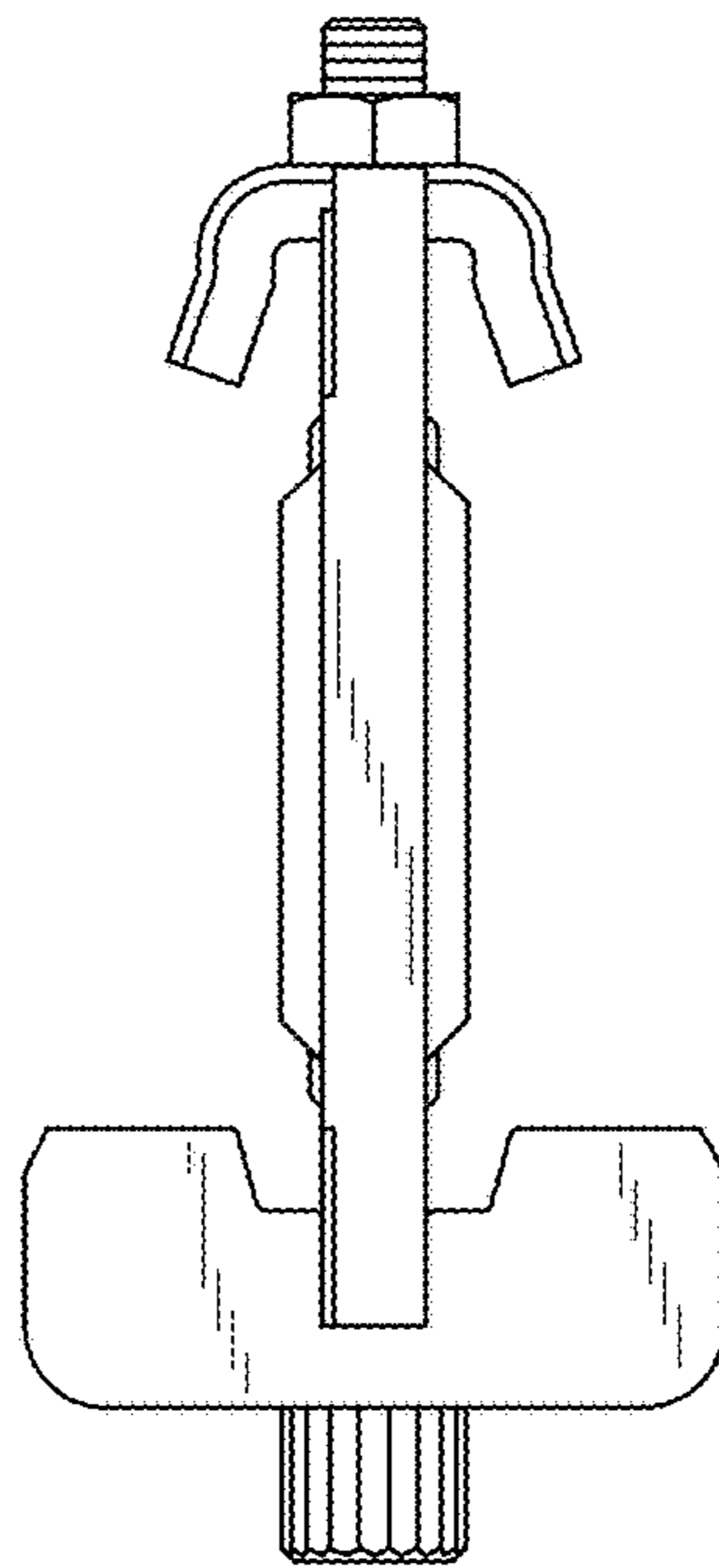


FIG. 6

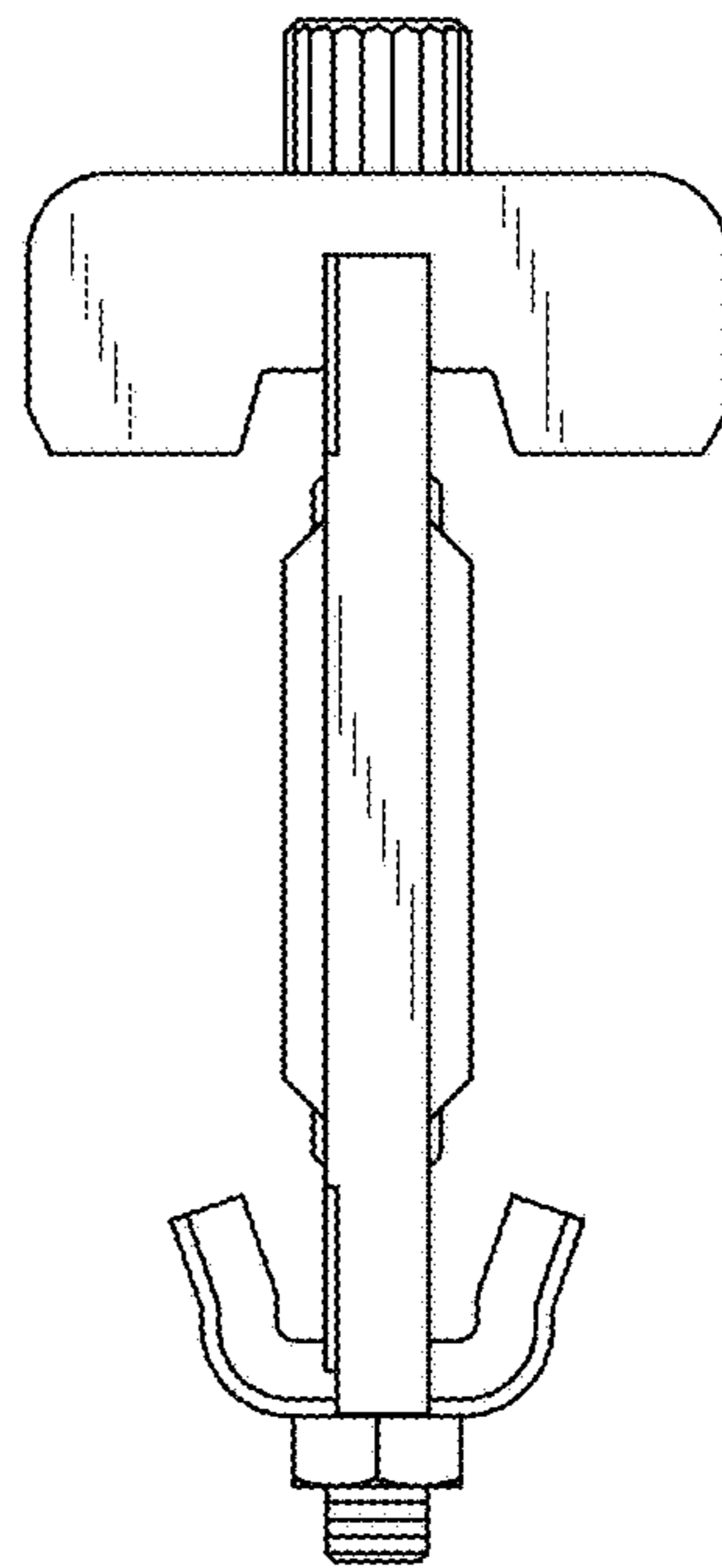


FIG. 7

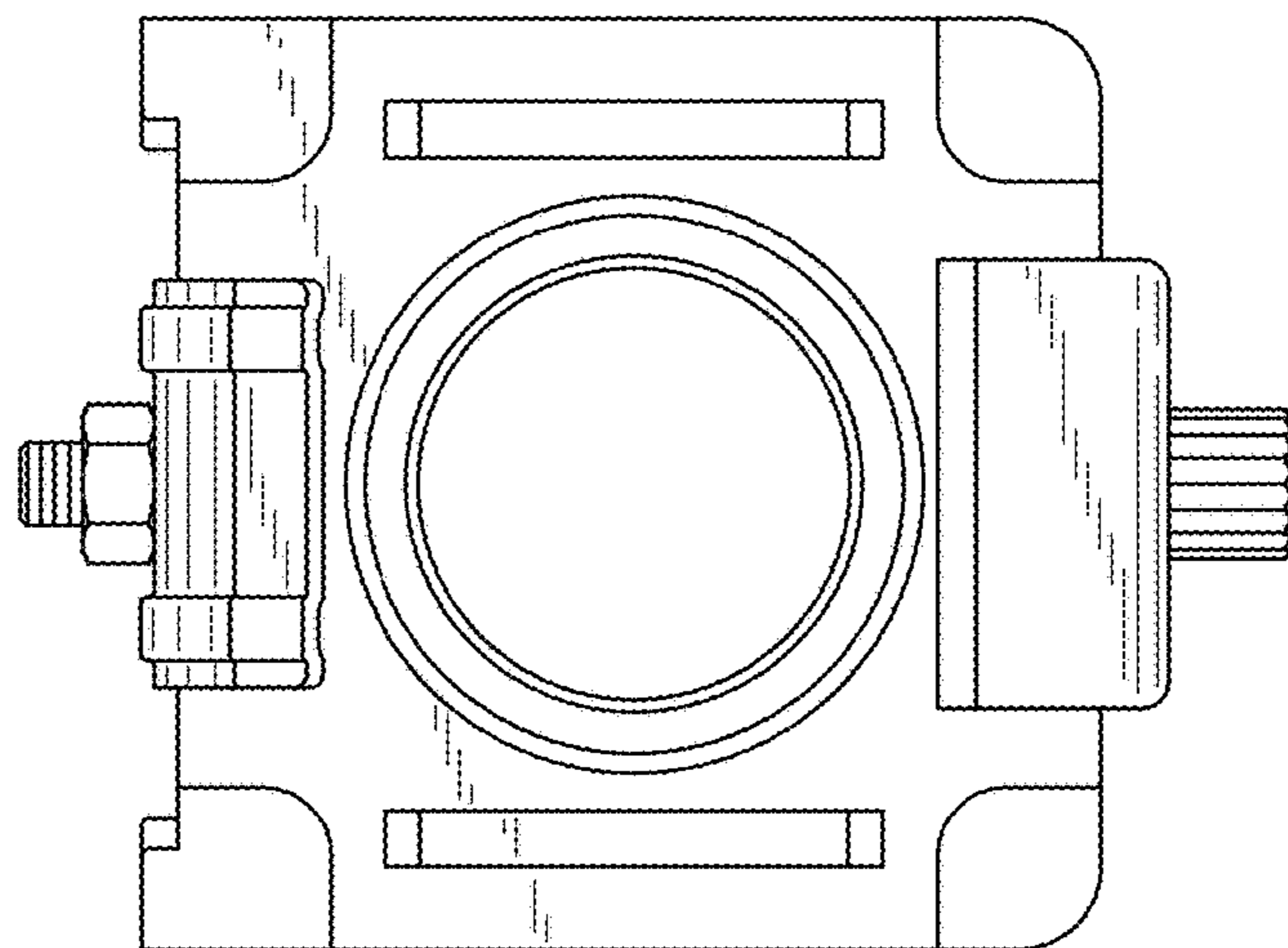


FIG. 8

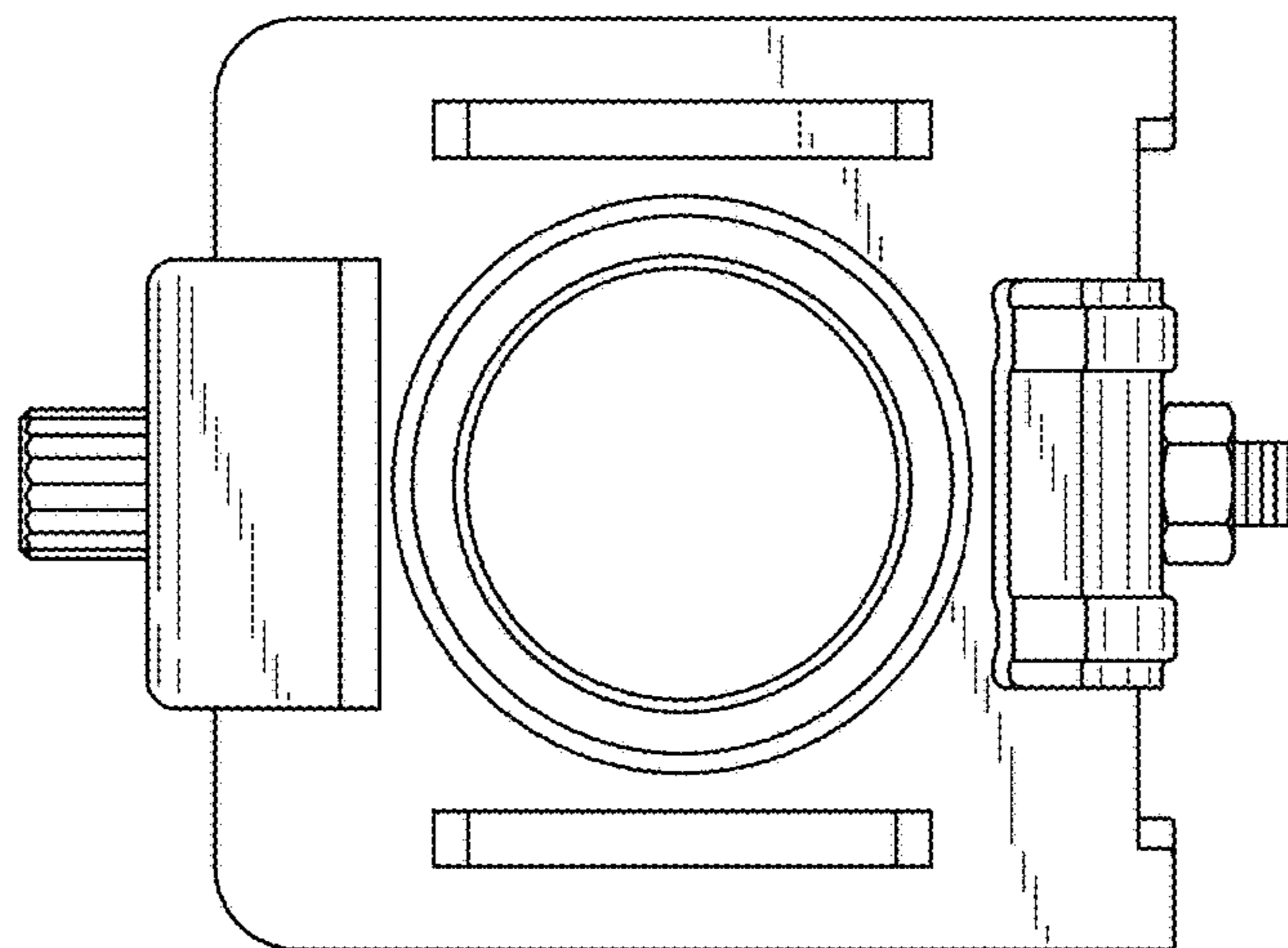


FIG. 9

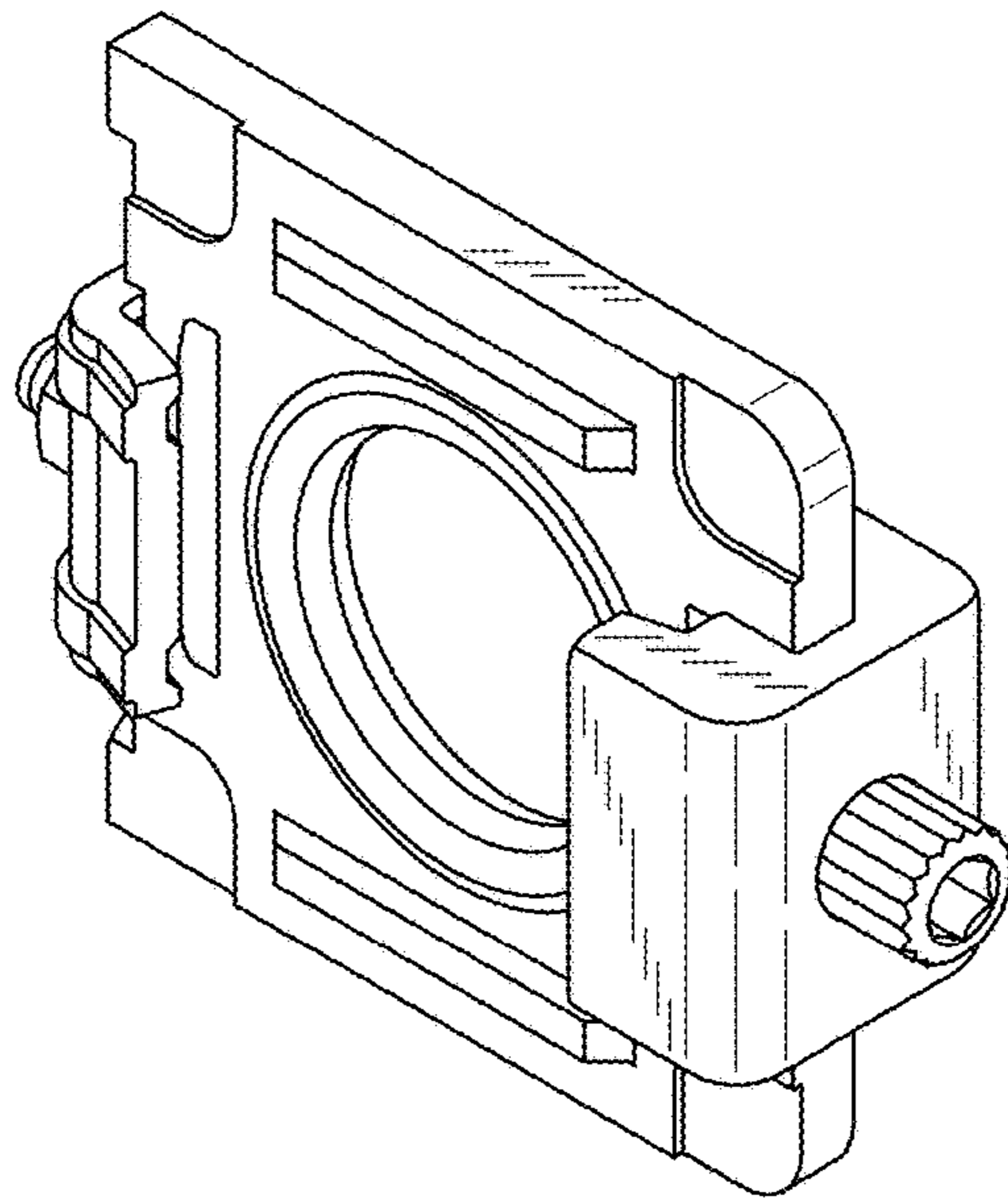


FIG. 10

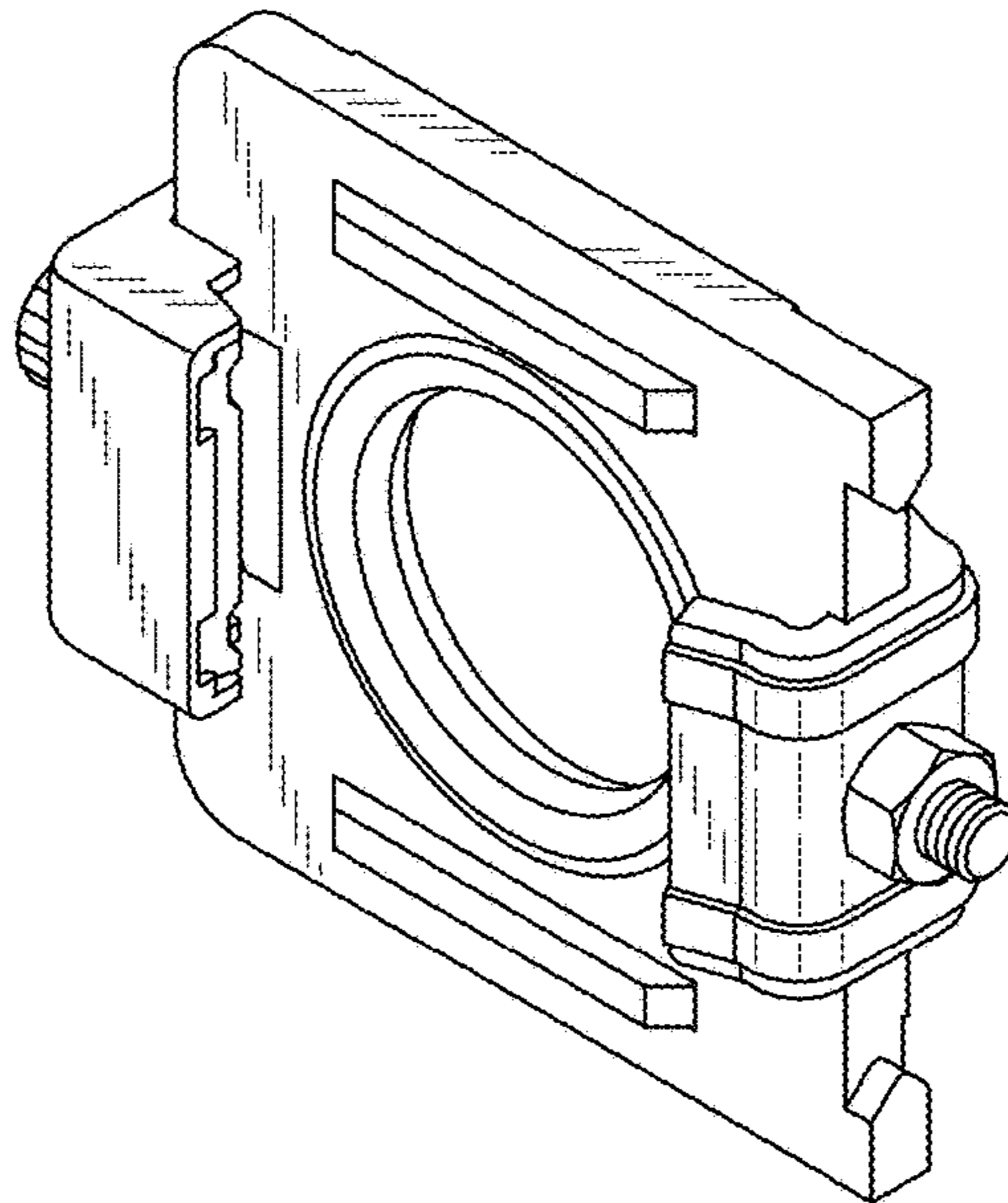


FIG. 11

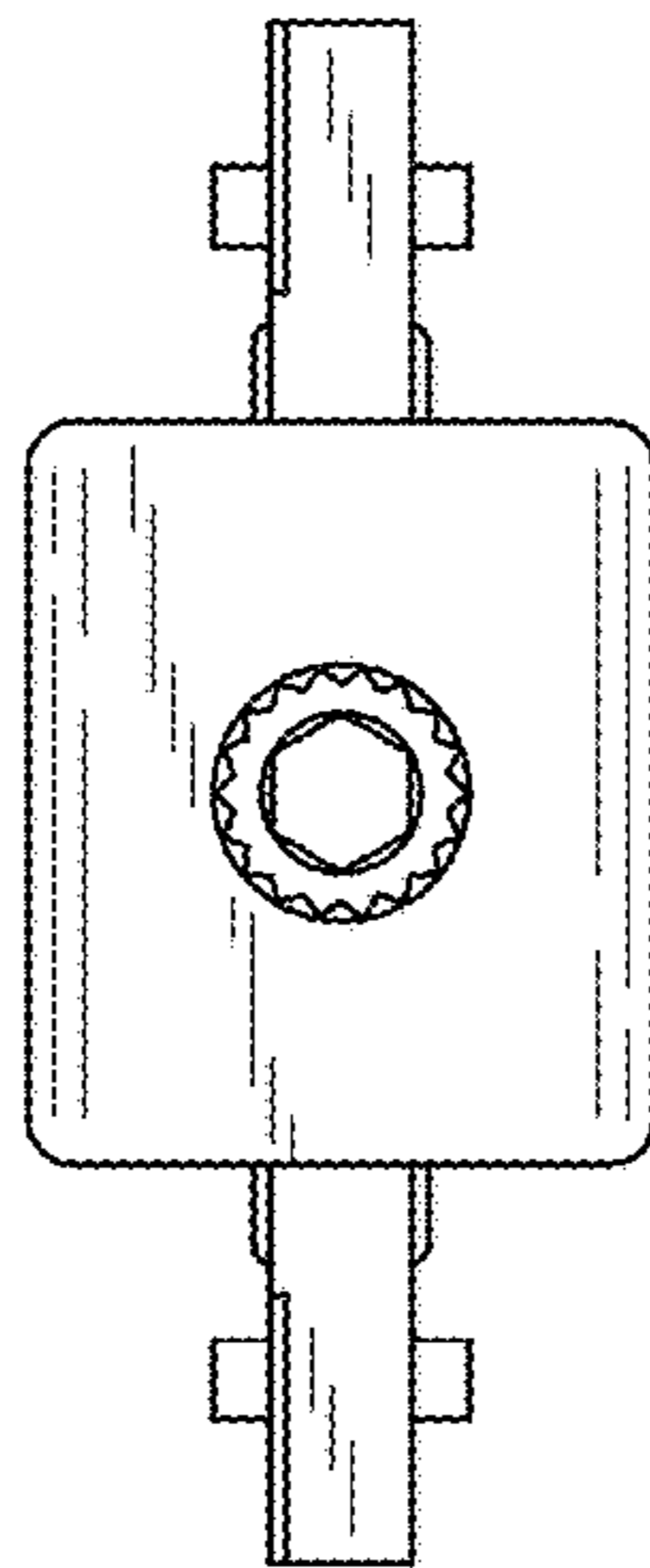


FIG. 12

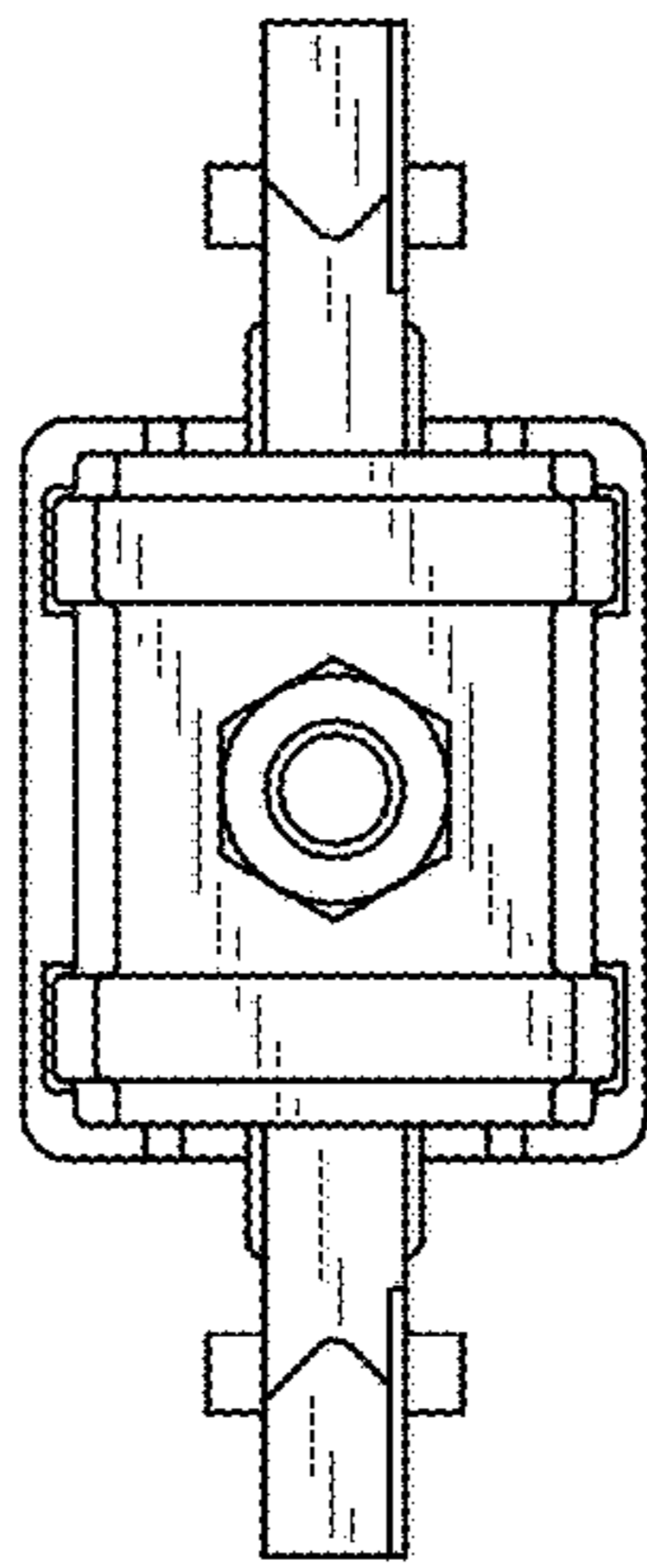


FIG. 13

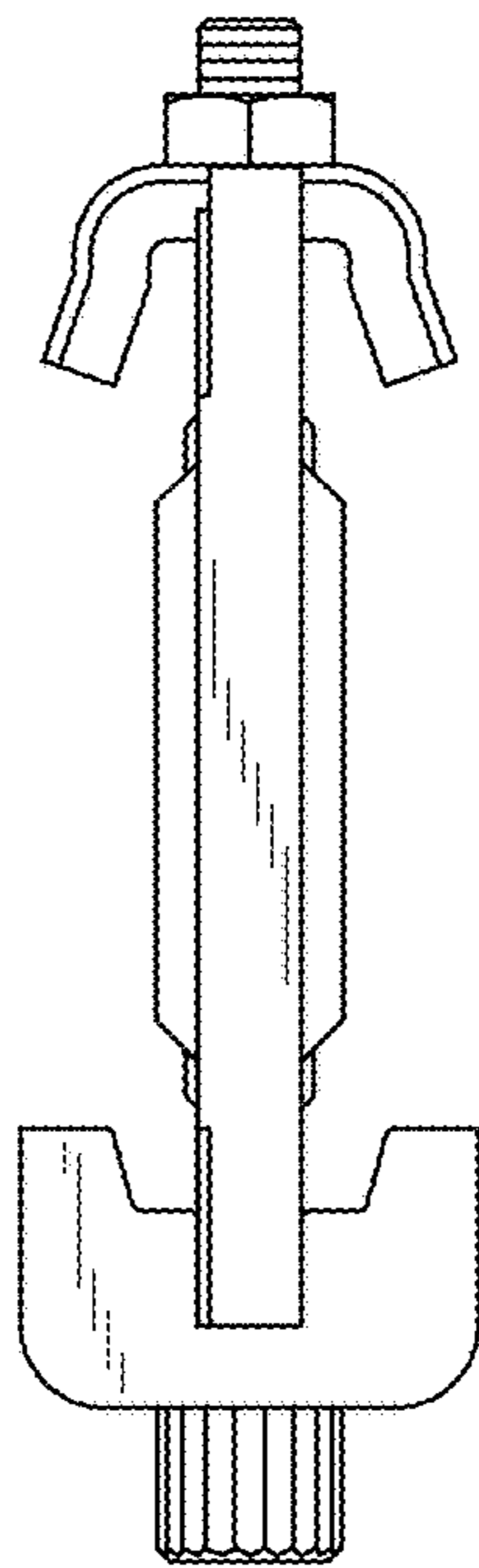


FIG. 14

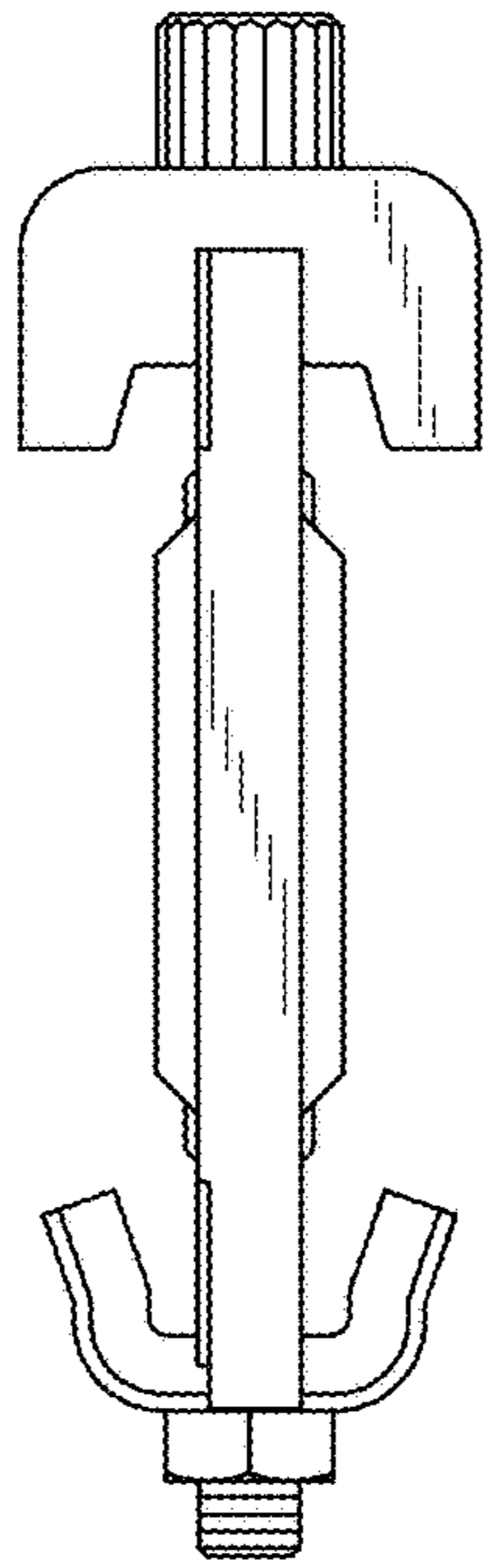


FIG. 15

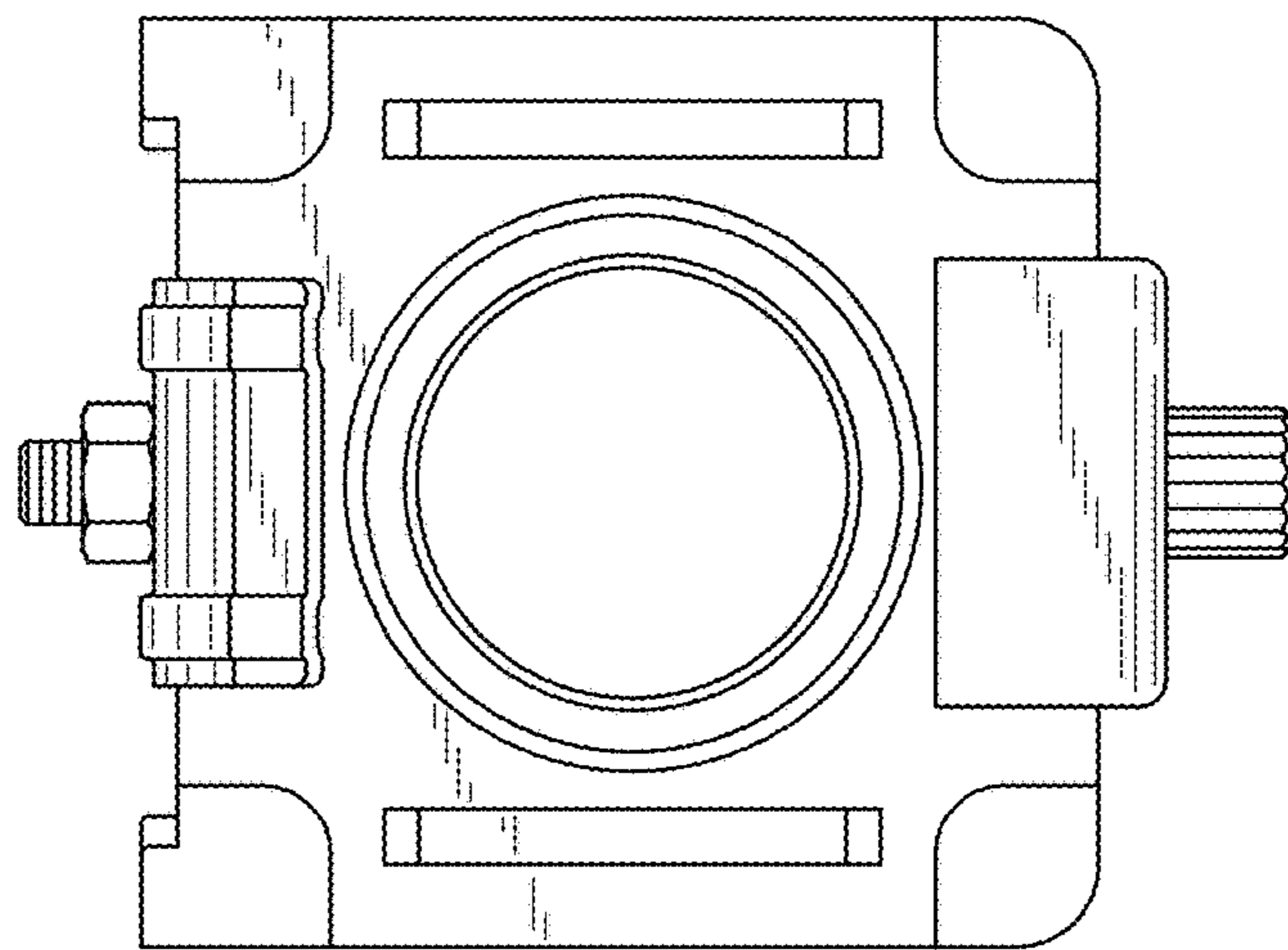


FIG. 16

