



US00D842684S

(12) **United States Design Patent** (10) **Patent No.:** **US D842,684 S**
House (45) **Date of Patent:** **** Mar. 12, 2019**

(54) **TOEBOARD SUPPORT BRACKET**
(71) Applicant: **John House**, San Diego, CA (US)
(72) Inventor: **John House**, San Diego, CA (US)
(**) Term: **15 Years**
(21) Appl. No.: **29/611,037**
(22) Filed: **Jul. 18, 2017**
(51) **LOC (11) Cl.** **08-05**
(52) **U.S. Cl.**
USPC **D8/354**
(58) **Field of Classification Search**
USPC D8/354, 349, 353, 366
CPC B65D 2255/00; B65D 2590/02;
B60P 7/0892
See application file for complete search history.

8,225,575 B2 * 7/2012 Gadd E04B 1/2612
52/289
8,234,826 B1 * 8/2012 Proffitt, Jr. E02D 27/00
52/293.3
D703,029 S * 4/2014 Fox D8/373
8,910,367 B2 * 12/2014 Adams, Jr. F16B 7/04
29/525.02
D744,319 S * 12/2015 White D8/354
D775,512 S * 1/2017 White D8/354
D783,386 S * 4/2017 Collins, IV D8/354
9,874,008 B2 * 1/2018 Doupe E04B 1/2612
10,024,046 B2 * 7/2018 Higginbotham E04B 5/12
2006/0011901 A1 1/2006 Arson
2006/0174580 A1 8/2006 Kuenzel
2008/0006809 A1 1/2008 Stoffels
2009/0095947 A1 4/2009 Supples
(Continued)

Primary Examiner — Lakiya G Rogers
Assistant Examiner — Harold E Blackwell, II
(74) *Attorney, Agent, or Firm* — Gary L. Eastman, Esq.;
Eastman McCartney Dallmann LLP

(56) **References Cited**

U.S. PATENT DOCUMENTS

859,239 A 7/1907 McFall
949,394 A 2/1910 Daly
4,413,761 A 11/1983 Angel
4,665,672 A 5/1987 Commins
4,982,933 A 1/1991 Schultz
5,092,097 A * 3/1992 Young E04B 1/2608
52/264
5,186,571 A * 2/1993 Hentzschel E04B 1/2608
256/65.06
5,560,588 A 10/1996 Hillard
D377,751 S * 2/1997 Koebbe D8/355
D387,970 S * 12/1997 Enslen D8/349
D394,862 S * 6/1998 Fischer D14/253
D398,219 S * 9/1998 Campman D8/363
6,038,829 A 3/2000 Franks
6,543,751 B1 * 4/2003 Spruill E04F 11/1817
256/65.04
D500,666 S * 1/2005 Murphy D8/354
7,234,689 B2 6/2007 Kuenzel

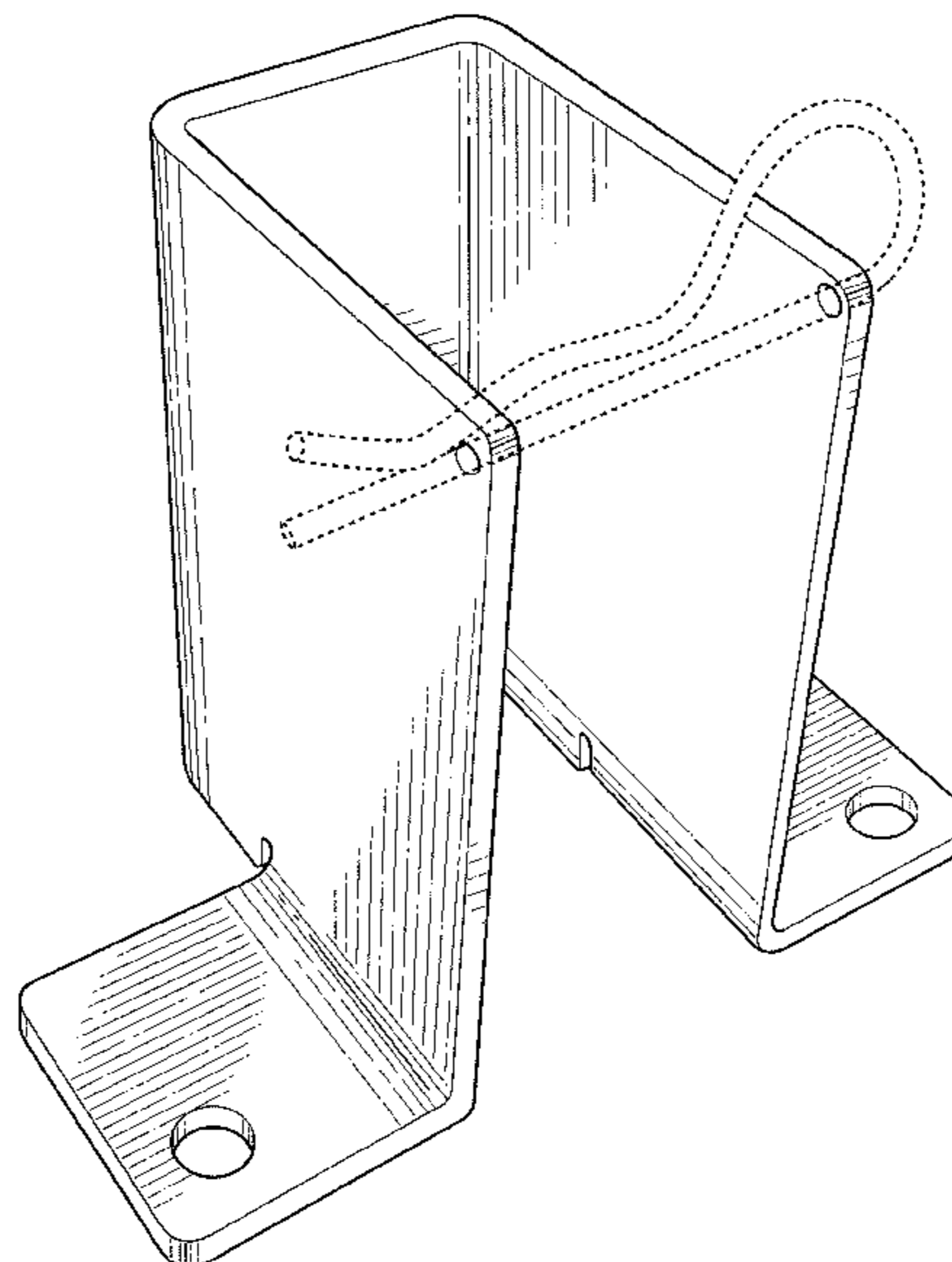
(57) **CLAIM**

The ornamental design for a toeboard support bracket, as shown and described.

DESCRIPTION

FIG. 1 is a top-front perspective view of the toeboard support bracket showing my new design; FIG. 2 is a top plan view thereof; FIG. 3 is a bottom plan view thereof; FIG. 4 is a front elevational view thereof; FIG. 5 is a back elevational view thereof; FIG. 6 is a right side elevational view thereof; FIG. 7 is a left side elevational view thereof; and, FIG. 8 is a bottom-back perspective view thereof. The retaining clips shown in broken lines illustrate portions of the toeboard support bracket and form no part of the claimed design.

1 Claim, 5 Drawing Sheets



(56)

References Cited

U.S. PATENT DOCUMENTS

2013/0256491 A1* 10/2013 House F16M 13/00
248/316.8

* cited by examiner

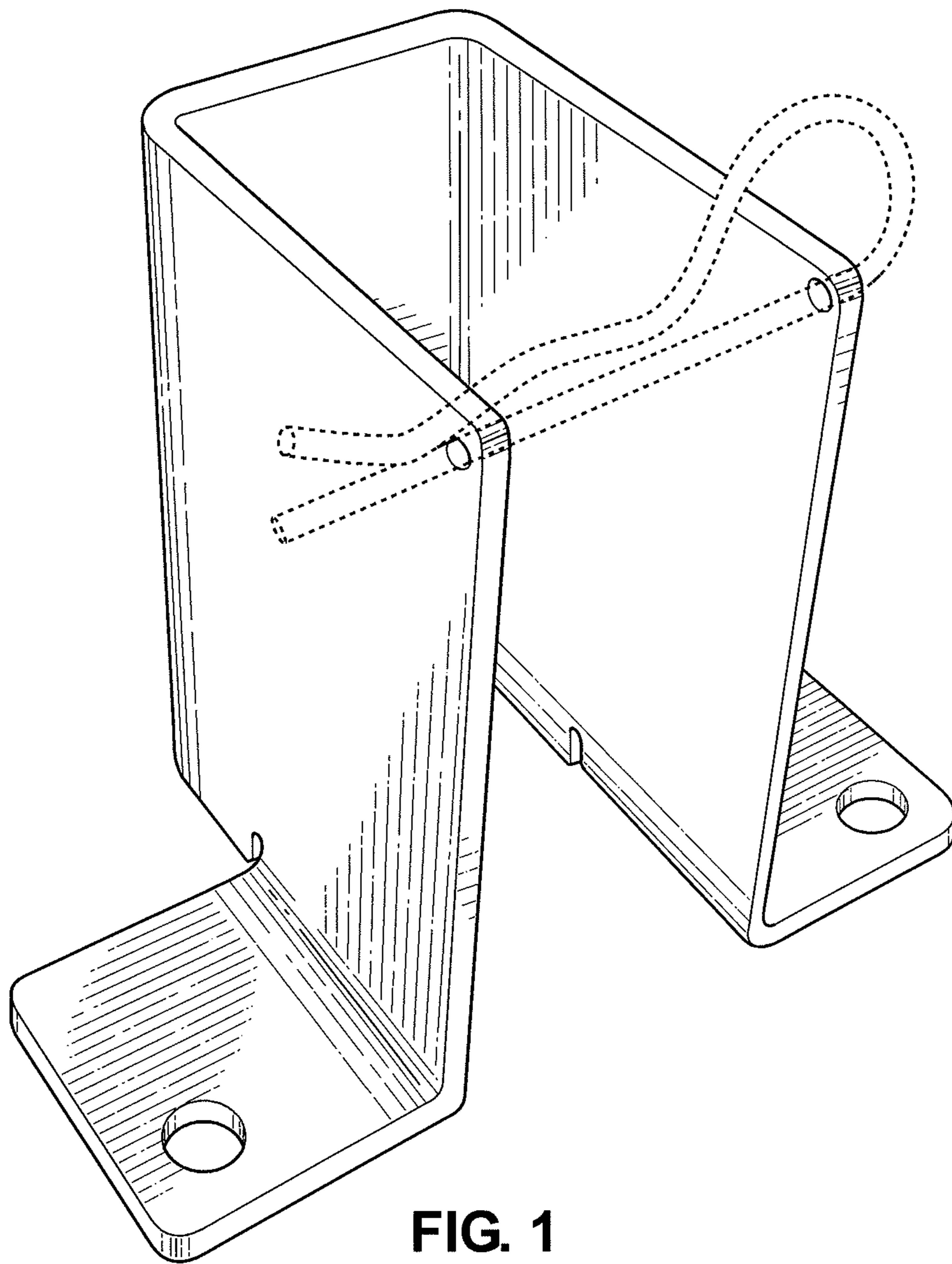


FIG. 1

FIG. 2

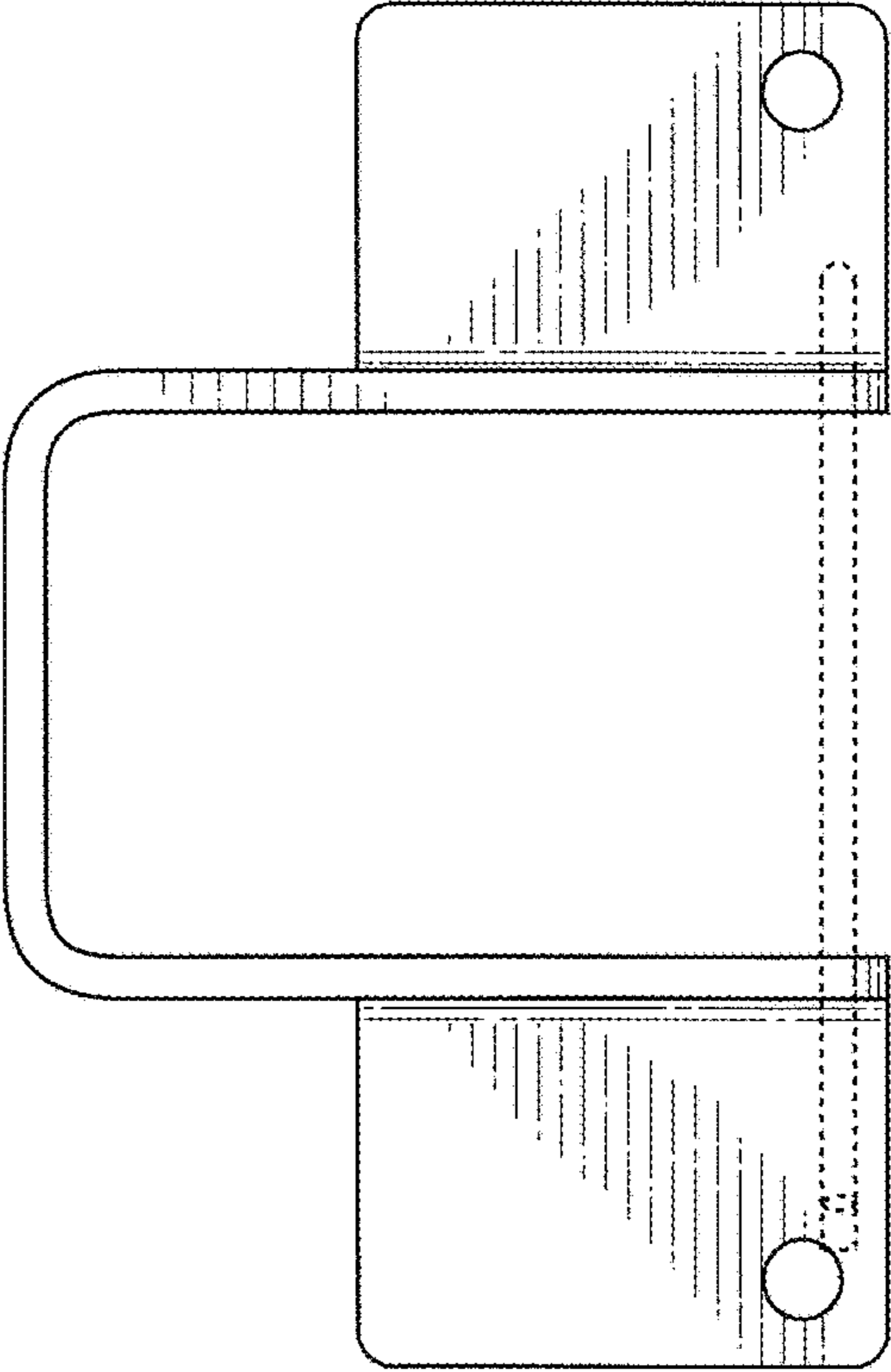
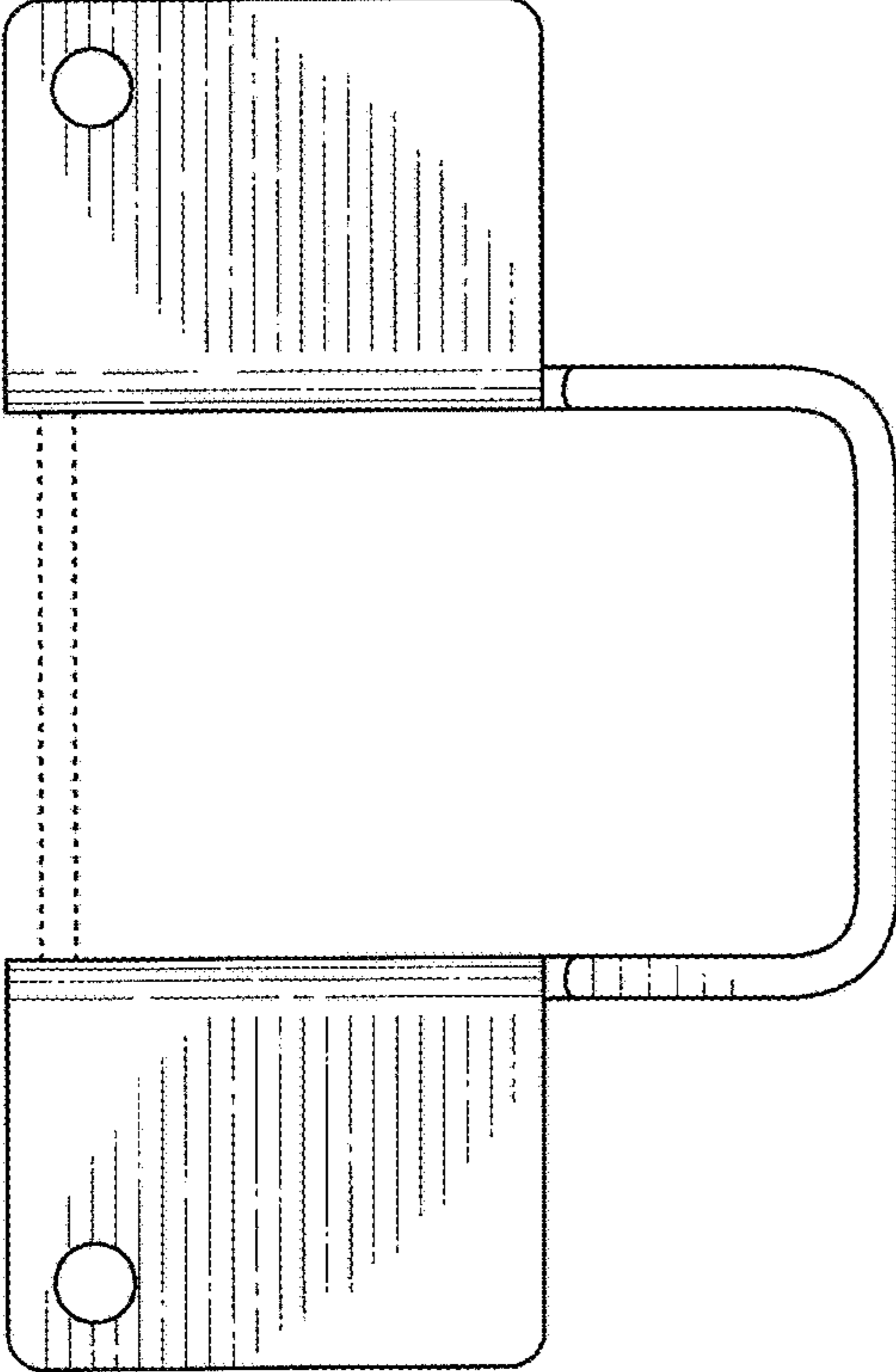


FIG. 3



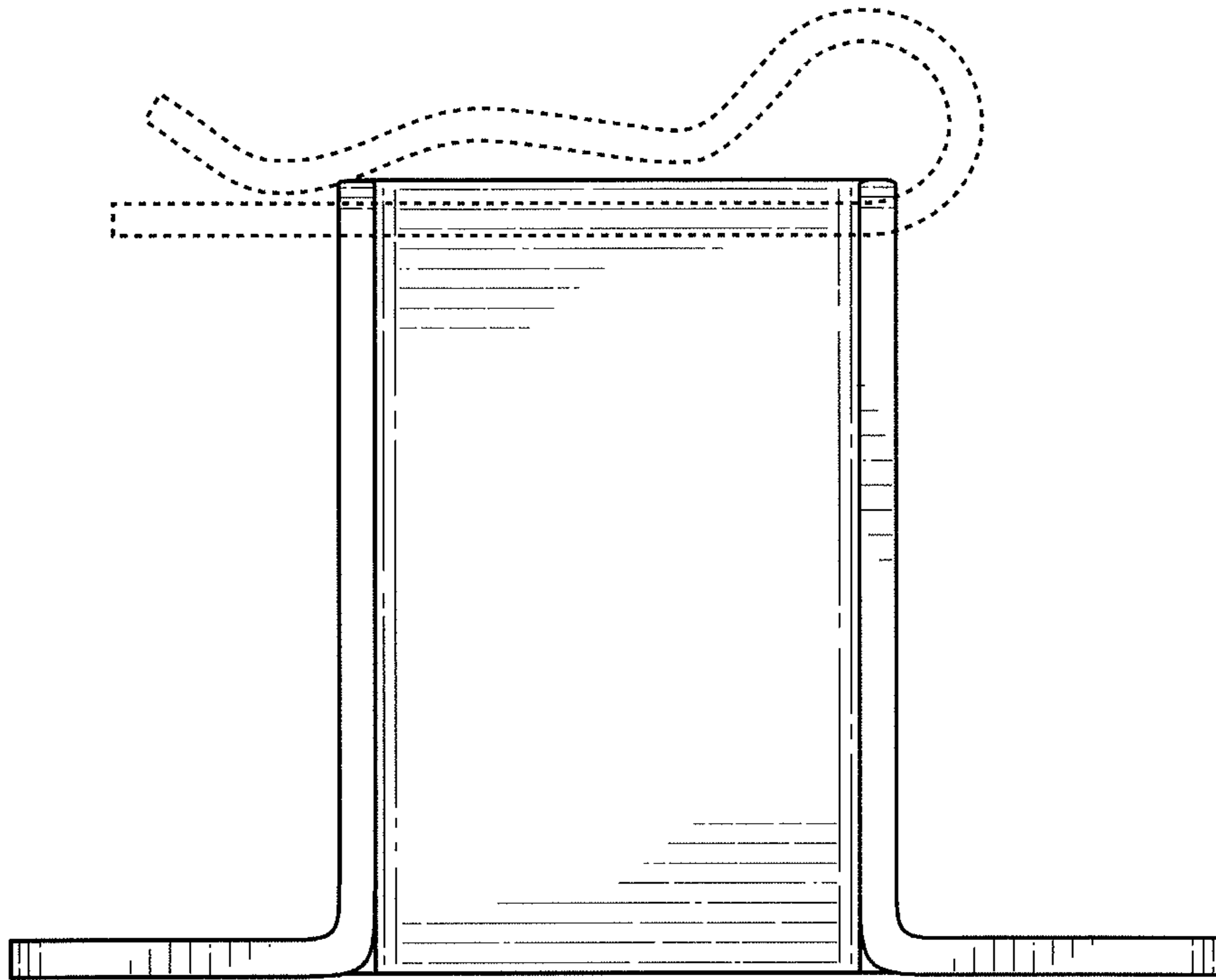


FIG. 4

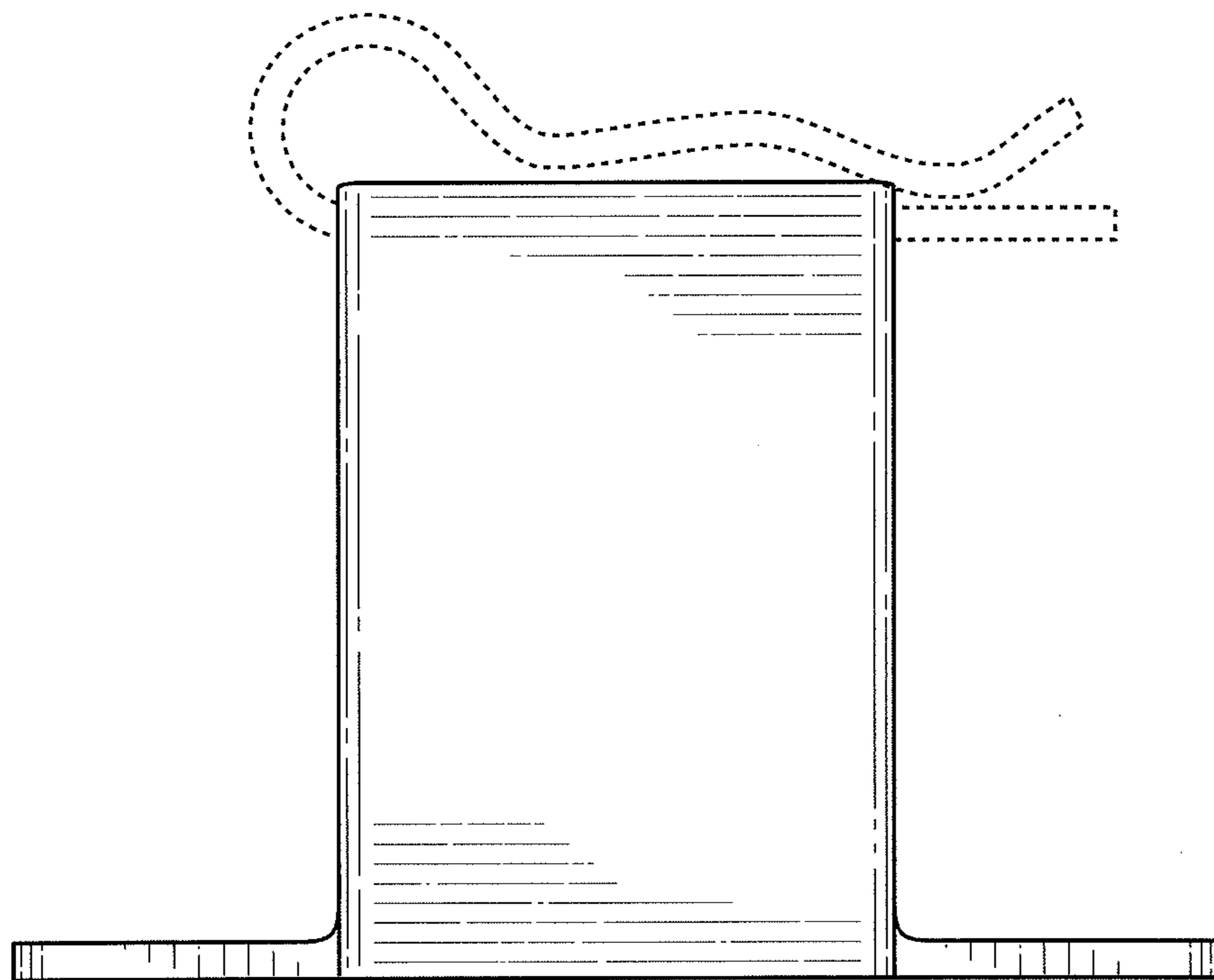


FIG. 5

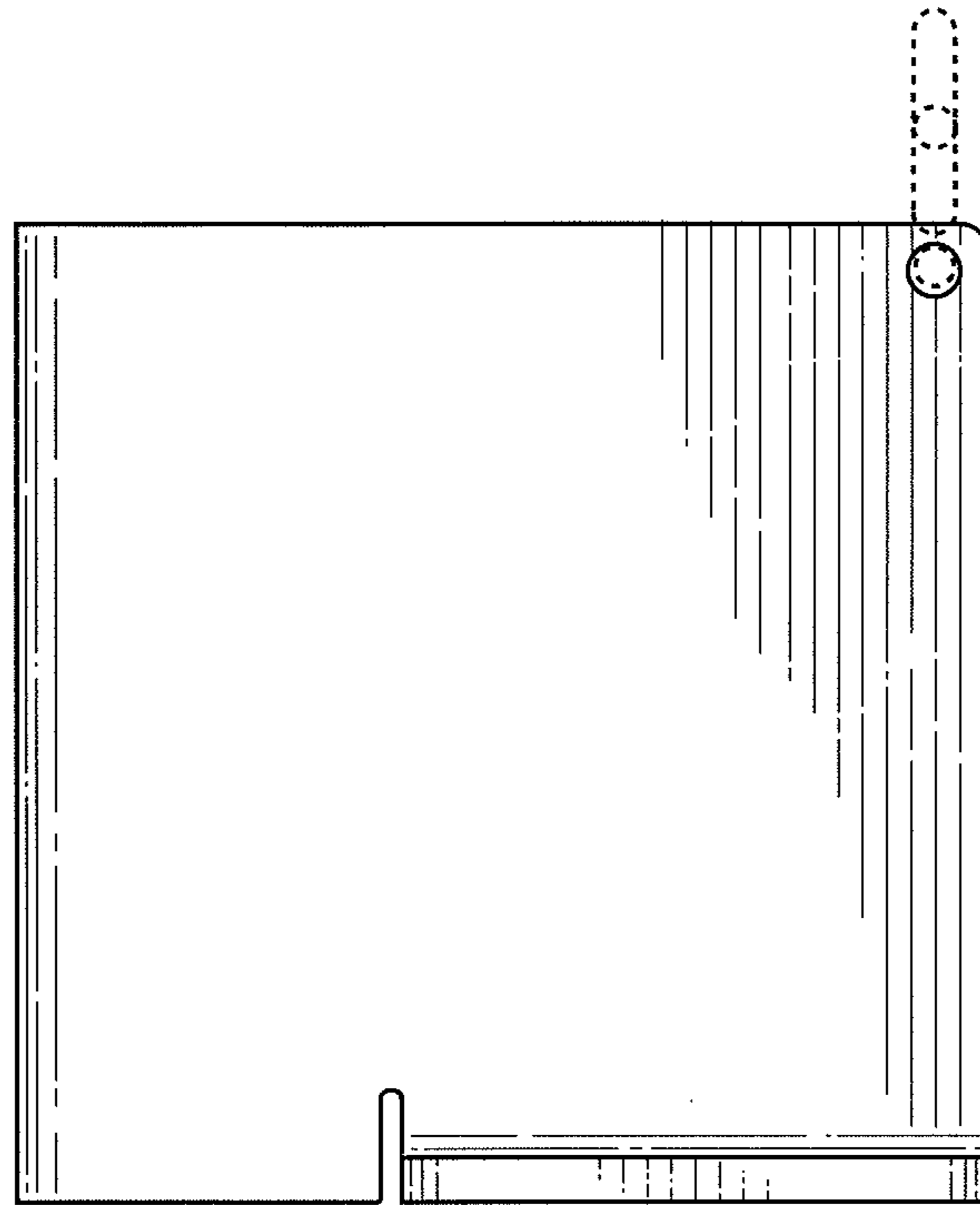


FIG. 6

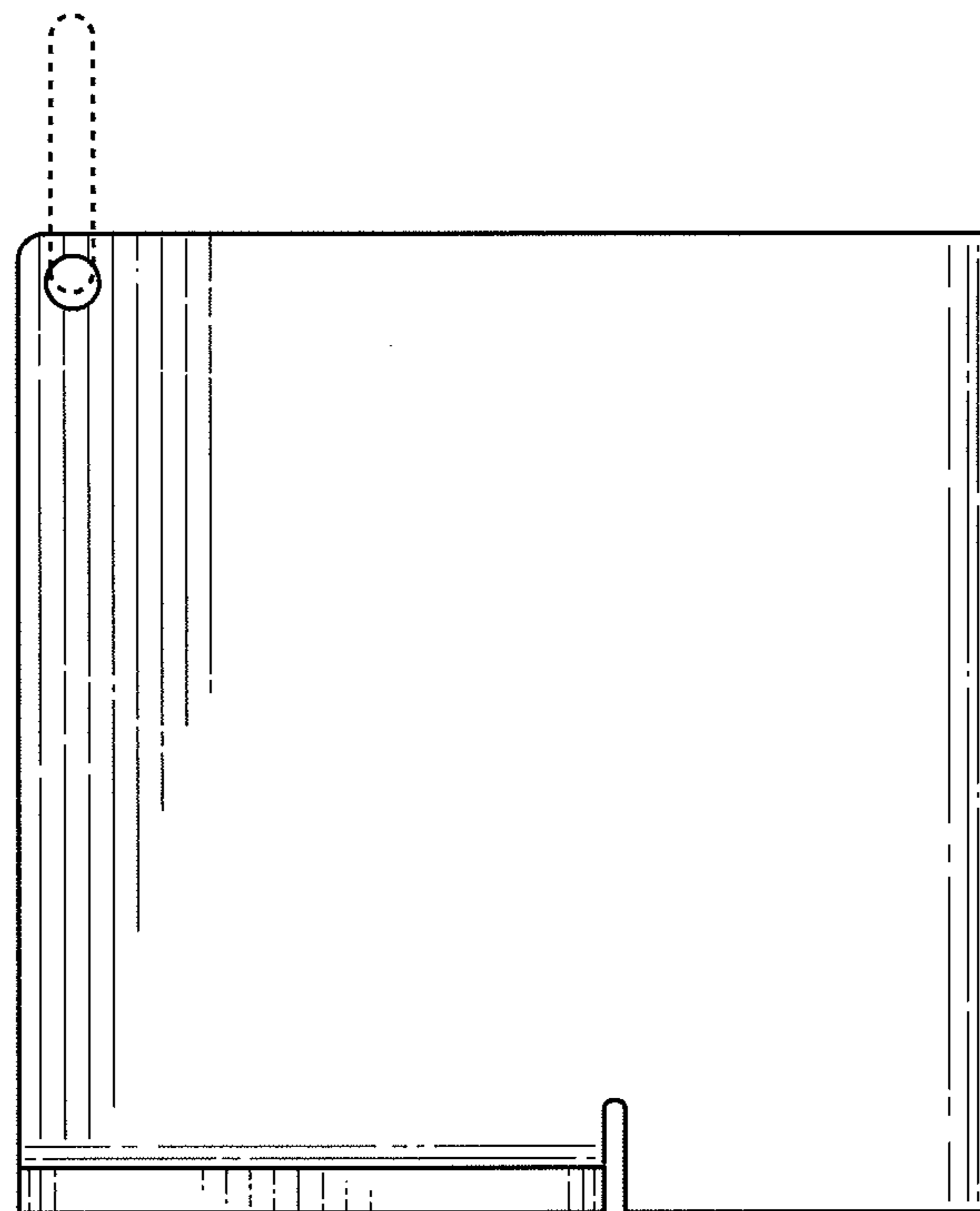


FIG. 7

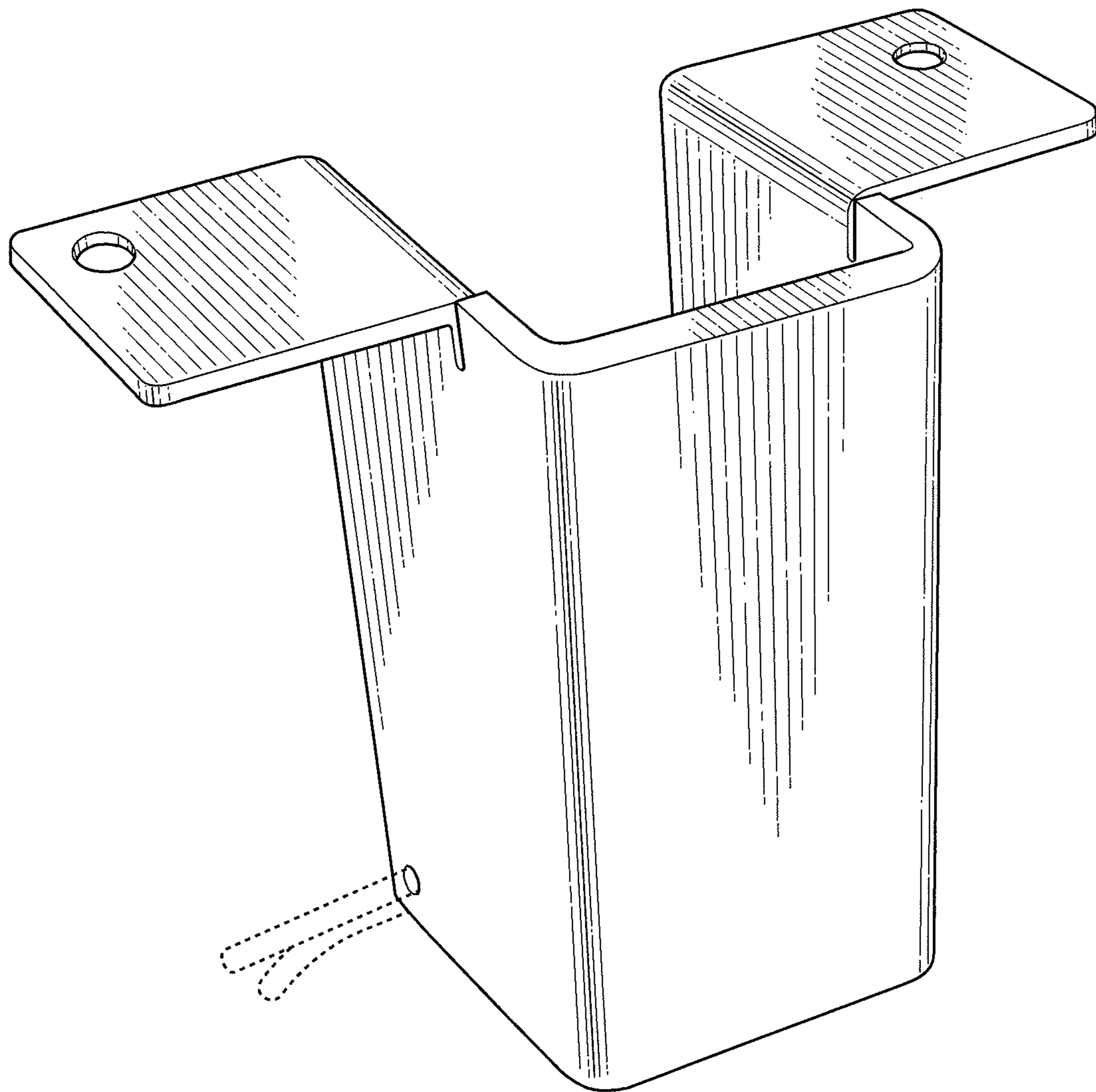


FIG. 8