

US00D842683S

(12) **United States Design Patent**
Villella Garcia

(10) **Patent No.:** **US D842,683 S**

(45) **Date of Patent:** **** Mar. 12, 2019**

(54) **SPACER**

(71) Applicant: **Ziclacities, S.L.**, Barcelona (ES)

(72) Inventor: **Gastón Ezequiel Villella Garcia**,
Barcelona (ES)

(73) Assignee: **Ziclacities, S.L.**, Barcelona (ES)

(**) Term: **15 Years**

(21) Appl. No.: **29/609,712**

(22) Filed: **Jul. 5, 2017**

(30) **Foreign Application Priority Data**

Jan. 18, 2017 (EM) 003654680-0001

(51) **LOC (11) Cl.** **08-05**

(52) **U.S. Cl.**
USPC **D8/354**

(58) **Field of Classification Search**
USPC D8/349, 354, 373, 380, 400, 377;
16/87 B, 87 R, 87.4 R, 93 R, 94 R, 95 R,
16/96 R; 248/188, 188.8, 188.9, 346.5,
248/615, 618, 688
CPC A47B 13/021; A47B 91/00; F16B 12/48
See application file for complete search history.

(56) **References Cited**

U.S. PATENT DOCUMENTS

2,305,790 A * 12/1942 Martin B41J 29/08
248/615
D490,293 S * 5/2004 Brown D8/354

D525,181 S * 7/2006 Homer D12/180
7,090,318 B2 * 8/2006 Brown E05D 15/58
312/110
D680,419 S * 4/2013 Green B07B 1/15
D8/349
D691,876 S * 10/2013 Ganski D8/356
9,010,048 B2 * 4/2015 Nickell E04F 19/04
52/211
D756,199 S * 5/2016 Carrubba D8/354
D792,194 S * 7/2017 Winterberg B65D 90/12
D8/354
D812,451 S * 3/2018 Winterberg D8/354

* cited by examiner

Primary Examiner — Janice Hallmark

Assistant Examiner — Harold E Blackwell, II

(57) **CLAIM**

The ornamental design for spacers, as shown and described.

DESCRIPTION

FIG. 1 is a perspective front view of a spacer, showing my new design;
FIG. 2 is a perspective rear view thereof;
FIG. 3 is a front view thereof;
FIG. 4 is a left side view thereof;
FIG. 5 is a right side view thereof;
FIG. 6 is a rear view thereof;
FIG. 7 is a top view thereof; and,
FIG. 8 is a bottom view thereof.
The broken lines in the drawings illustrate portions of a spacer that form no part of the claimed design.

1 Claim, 8 Drawing Sheets

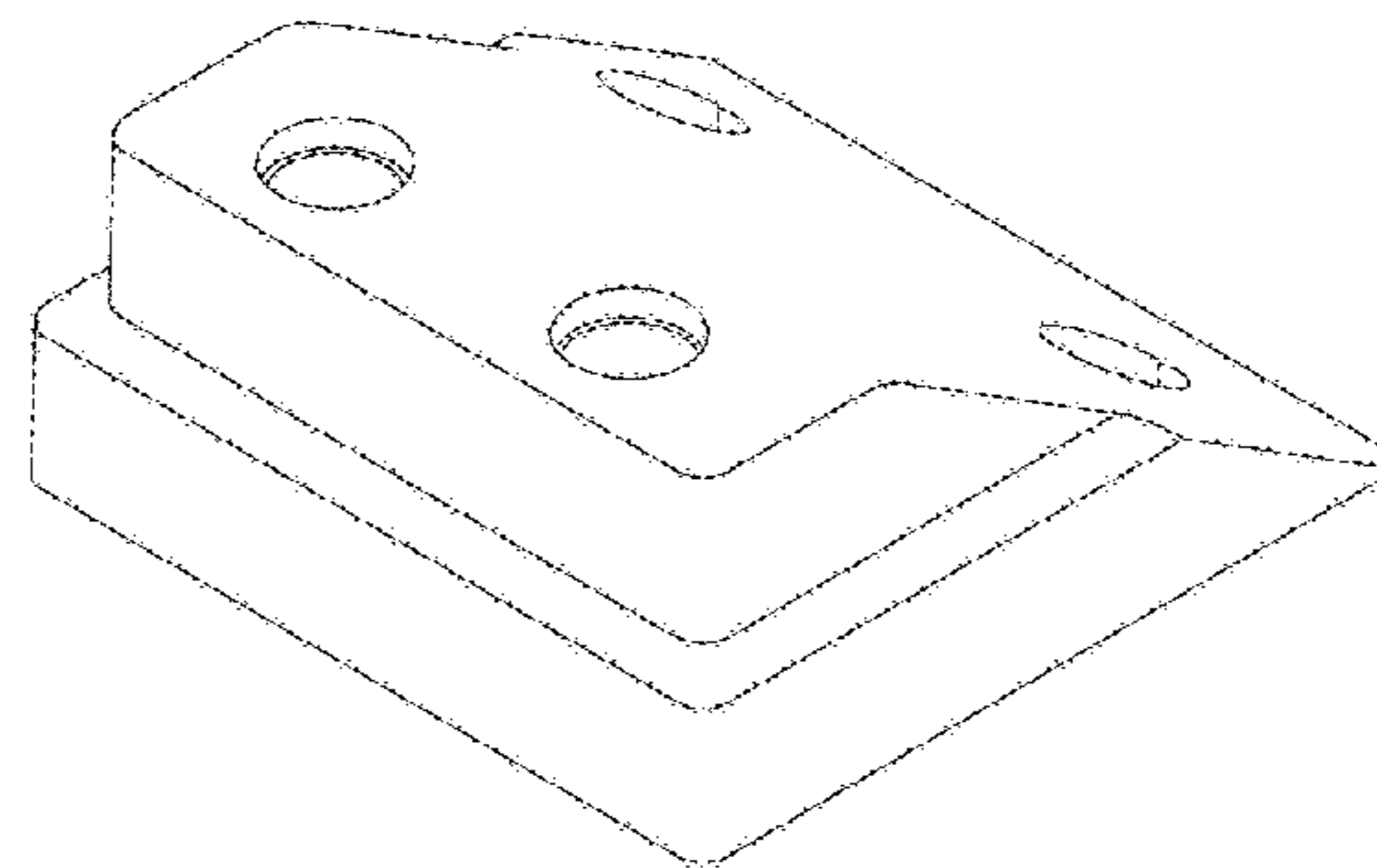
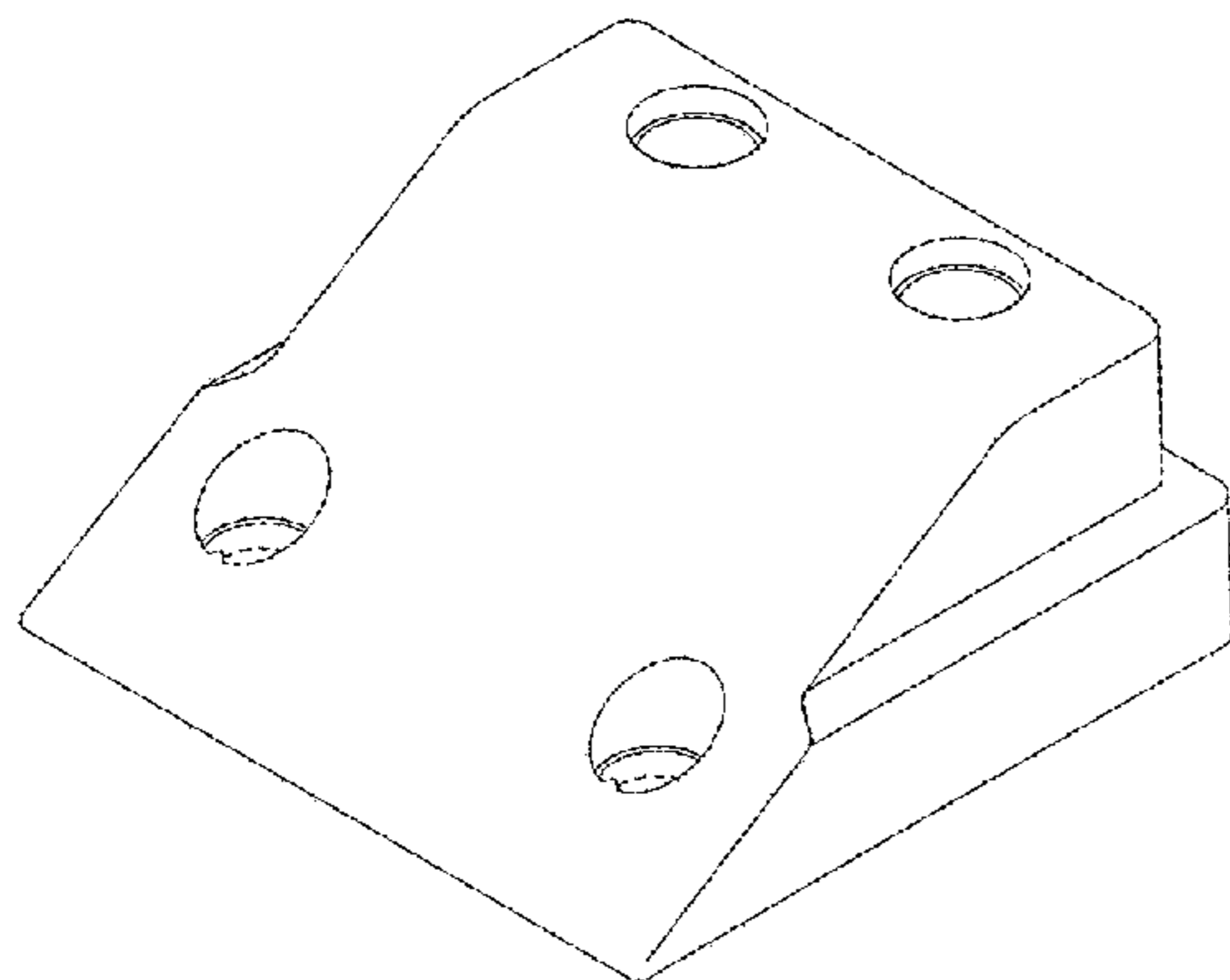


FIG. 1

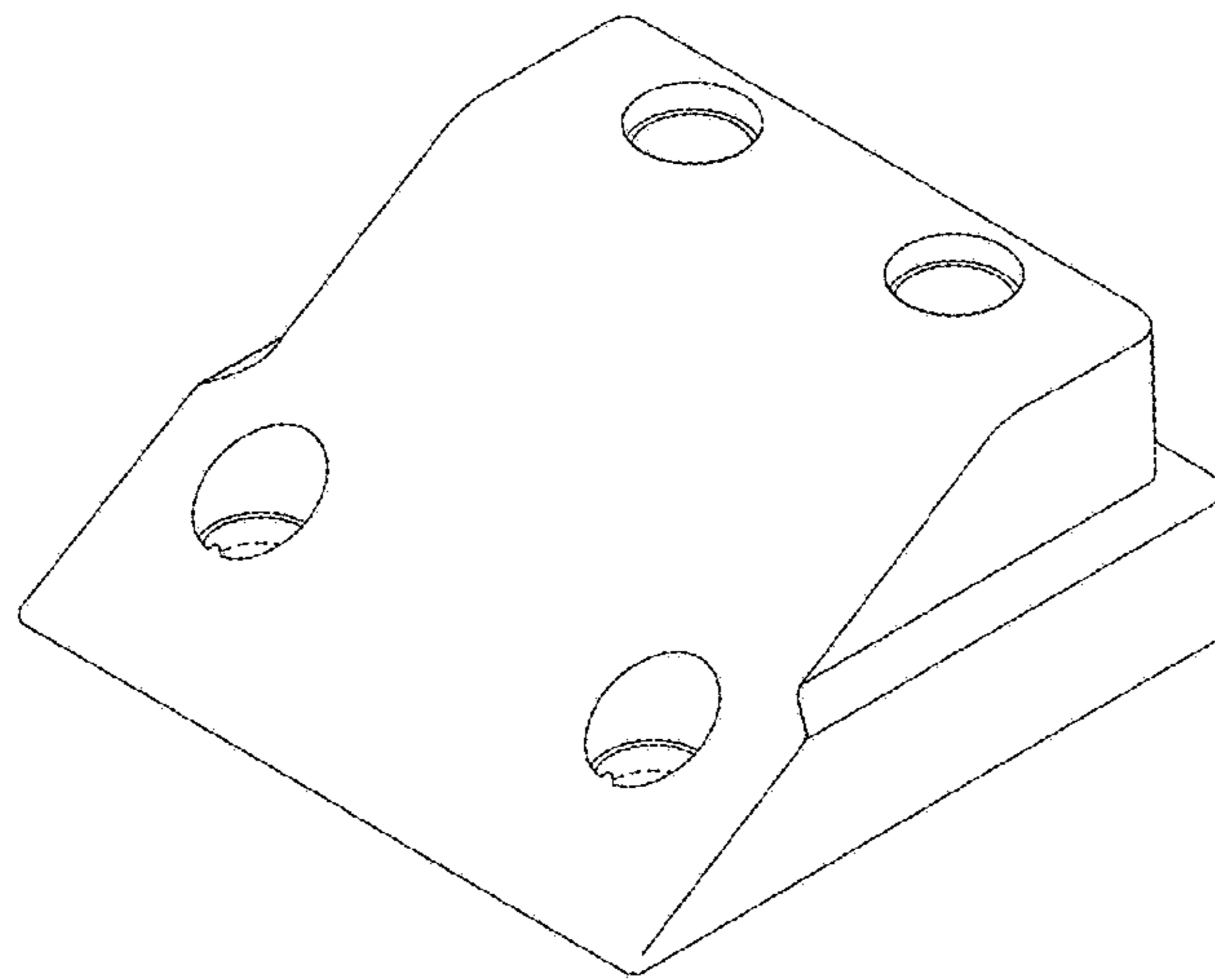


FIG. 2

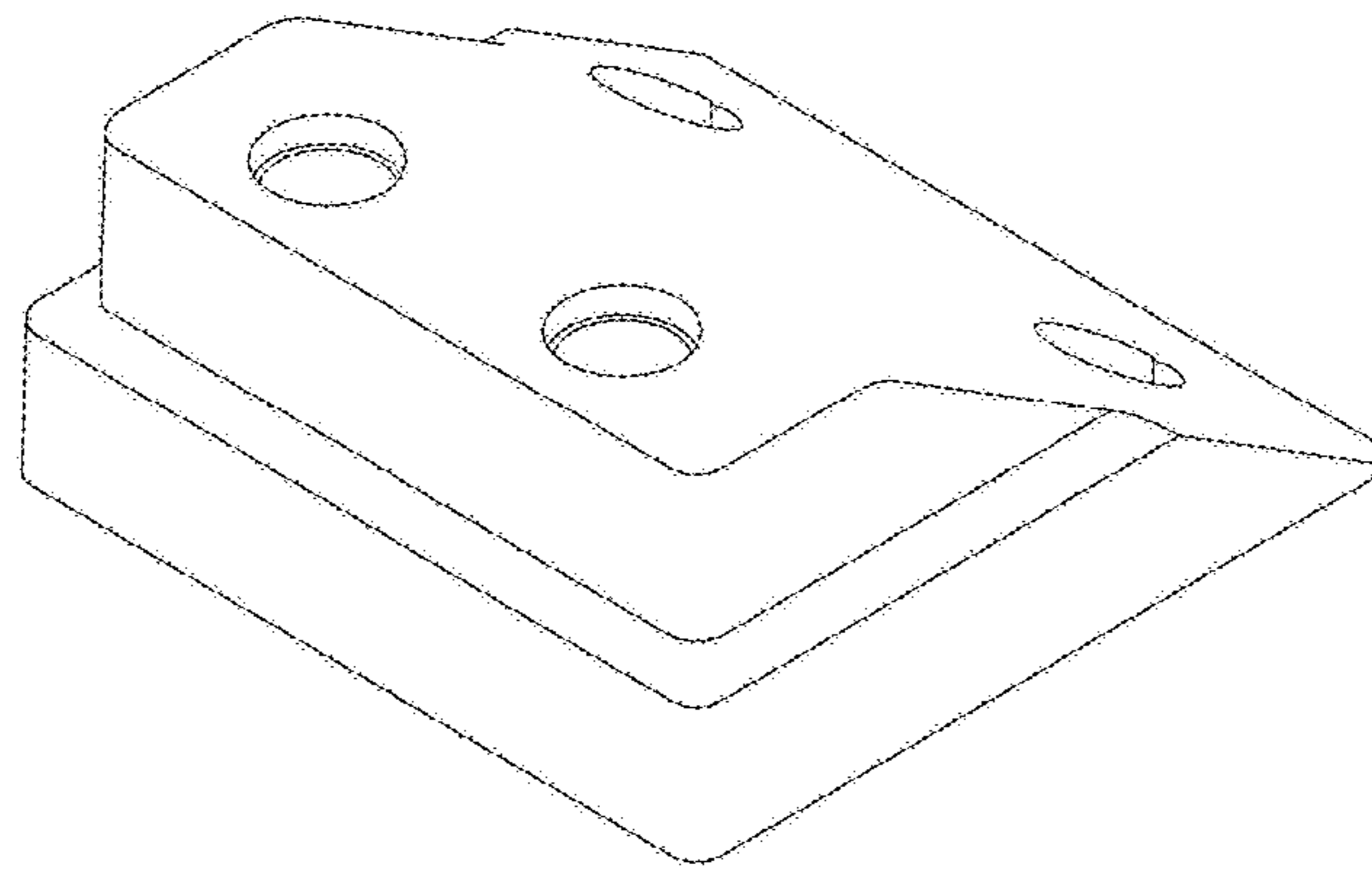


FIG. 3

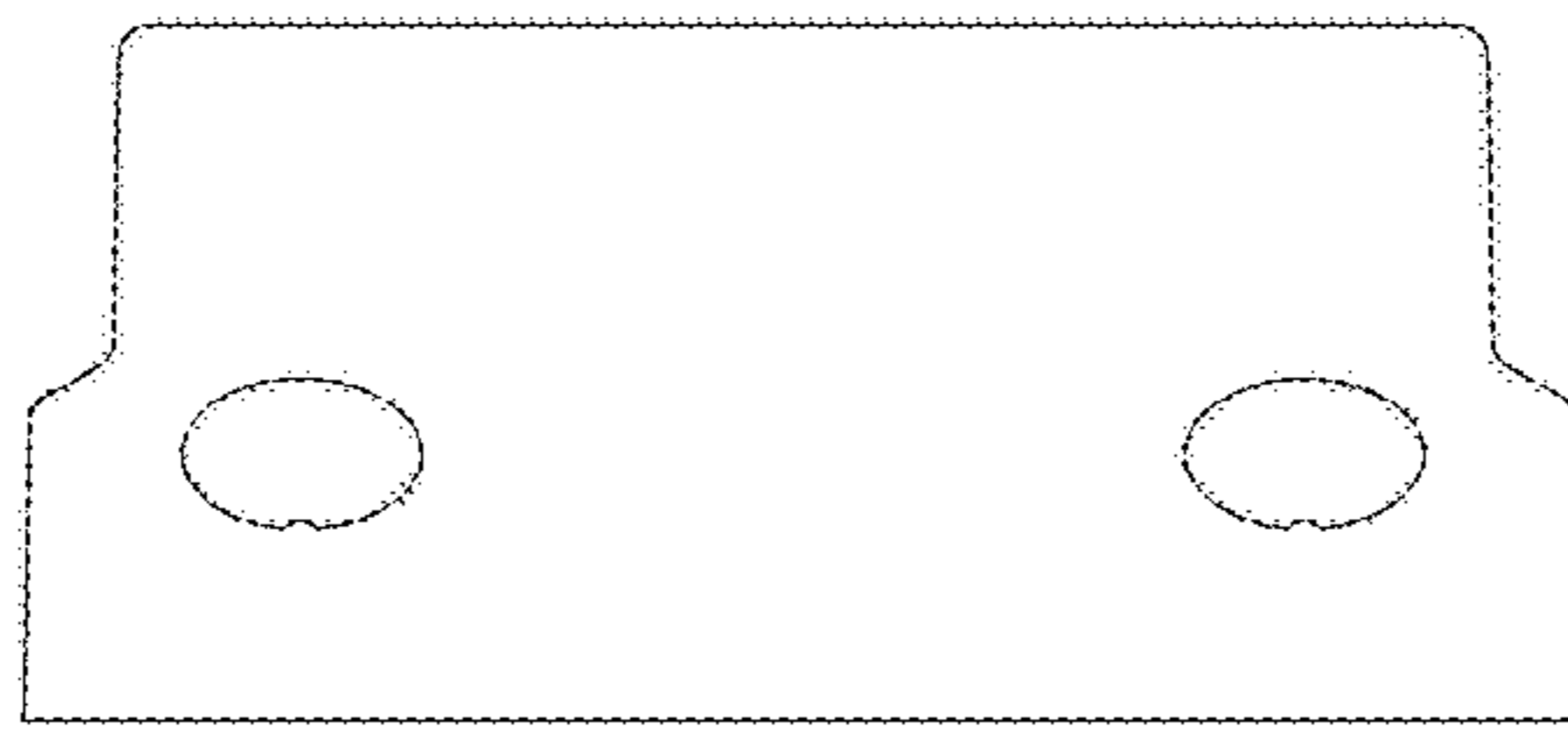


FIG. 4

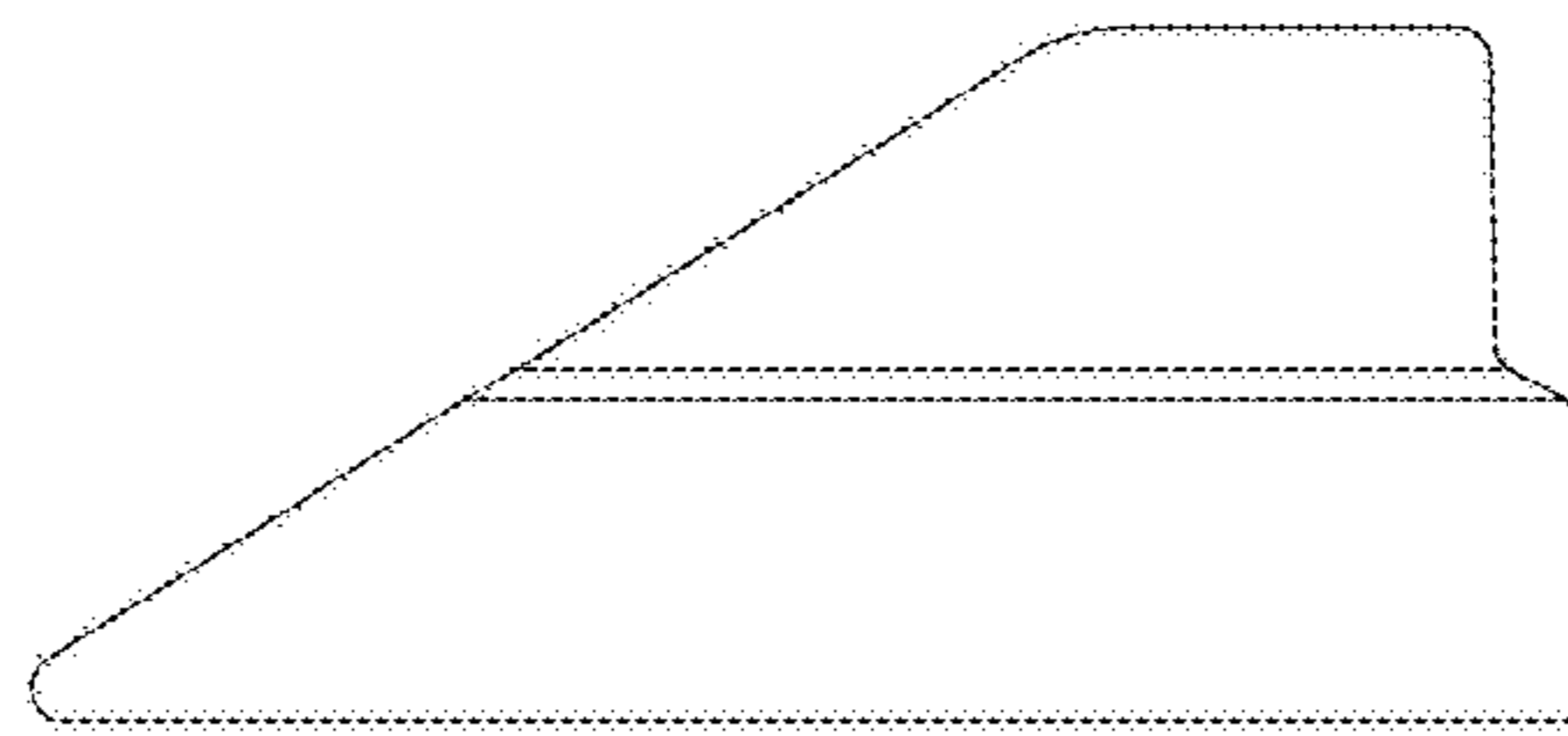


FIG. 5

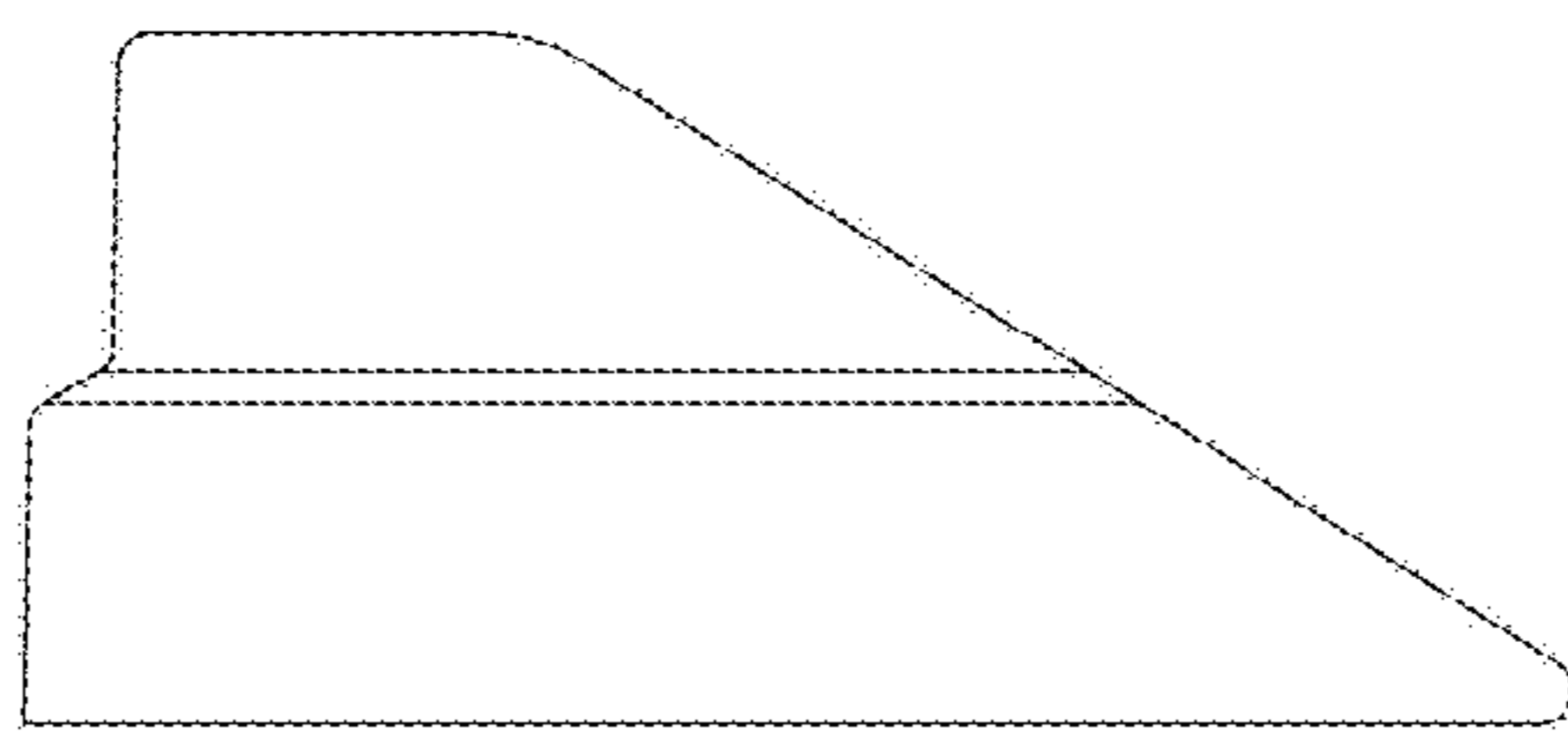


FIG. 6

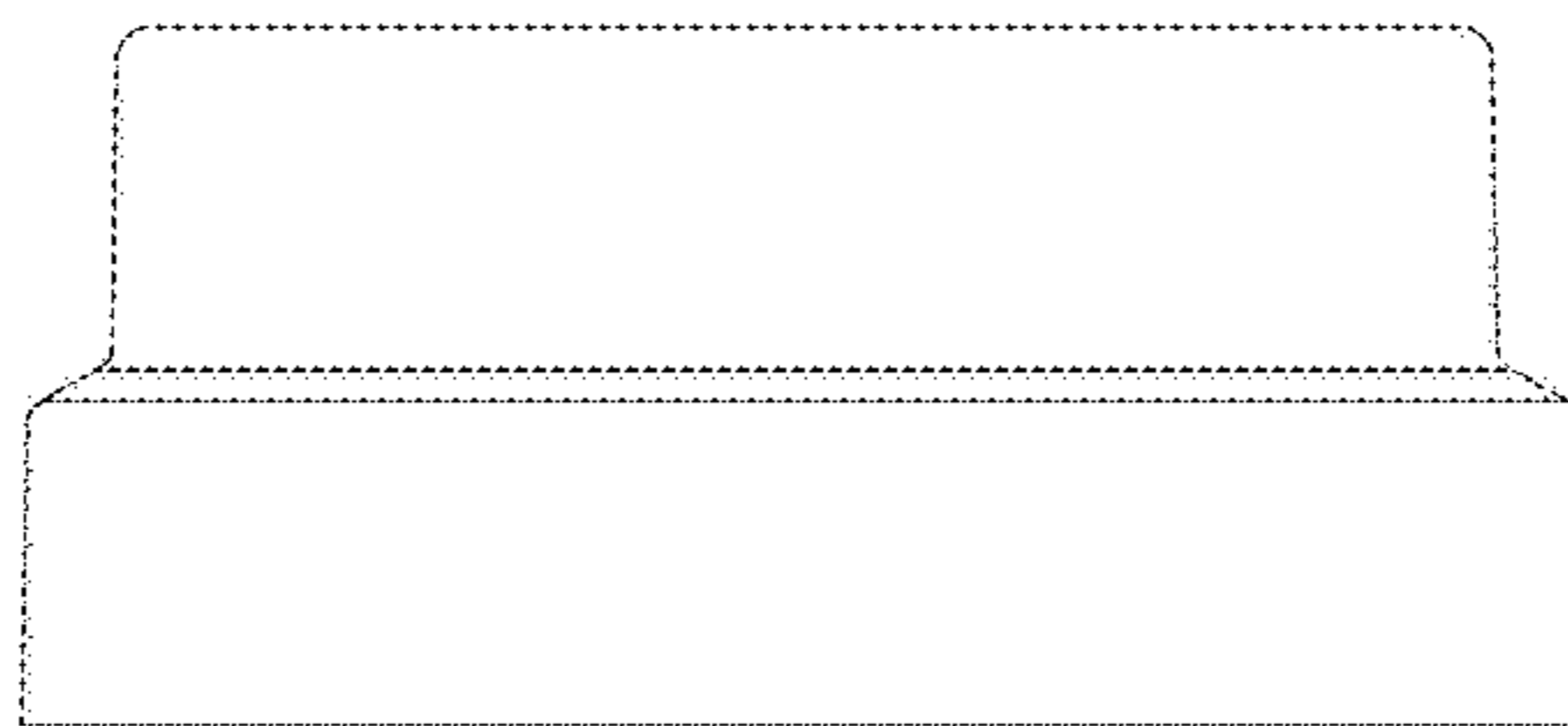


FIG. 7

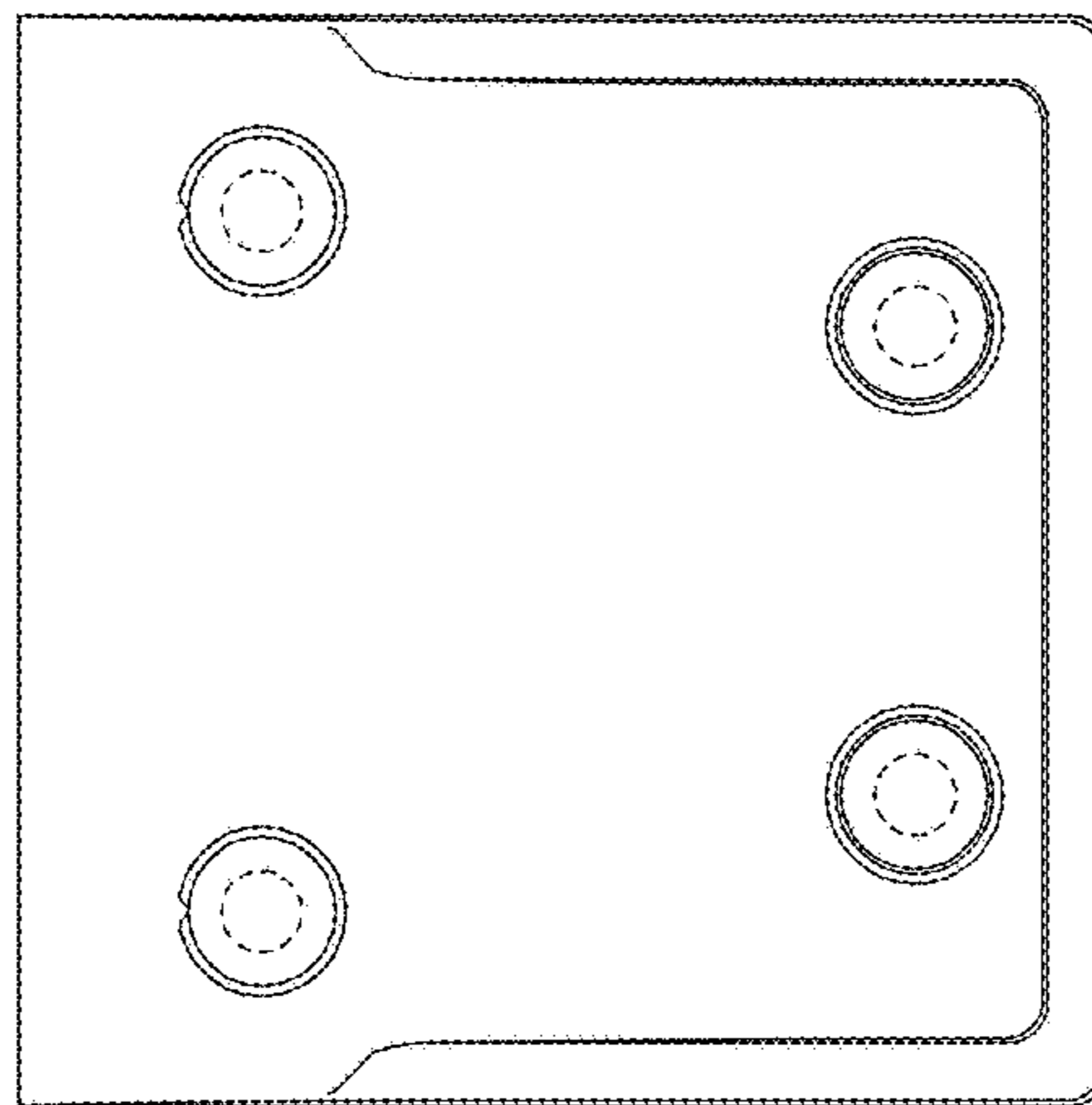


FIG. 8

