



US00D842682S

(12) **United States Design Patent**  
**Lee et al.**

(10) **Patent No.:** **US D842,682 S**  
(45) **Date of Patent:** **\*\* Mar. 12, 2019**

(54) **PEDESTAL ADAPTOR**  
(71) Applicant: **Elmich Pte Ltd**, Singapore (SG)  
(72) Inventors: **Alan Sian Ghee Lee**, Singapore (SG);  
**Henry Greaves**, Watsons Bay (AU)  
(73) Assignee: **ELMICH PTE LTD.**, Singapore (SG)  
(\*\*) Term: **15 Years**  
(21) Appl. No.: **29/573,221**  
(22) Filed: **Aug. 3, 2016**

2002/0121583 A1\* 9/2002 Jones ..... E01C 5/223  
248/346.01  
2008/0222973 A1\* 9/2008 Lee ..... E04F 15/02476  
52/126.1  
2009/0199494 A1\* 8/2009 Lee ..... B25B 13/485  
52/126.6  
2010/0058679 A1\* 3/2010 Greaves ..... E04D 12/006  
52/126.6  
2014/0041204 A1\* 2/2014 Peters ..... F16B 9/026  
29/525.11  
2016/0040439 A1\* 2/2016 Pelc ..... E04F 15/02452  
52/126.6  
2017/0152635 A1\* 6/2017 Tabibnia ..... F24D 3/127  
2017/0152665 A1\* 6/2017 Pelc, Jr. .... E04F 15/0247

\* cited by examiner

(30) **Foreign Application Priority Data**  
Feb. 5, 2016 (AU) ..... 201610621  
(51) **LOC (11) Cl.** ..... **08-05**  
(52) **U.S. Cl.**  
USPC ..... **D8/354**  
(58) **Field of Classification Search**  
USPC ..... D8/354, 349, 352; D34/31, 28, 35  
CPC ..... E04F 15/02452; E04F 15/02494; E04F  
15/02464  
See application file for complete search history.

*Primary Examiner* — Lakiya G Rogers  
*Assistant Examiner* — Harold E Blackwell, II

(57) **CLAIM**

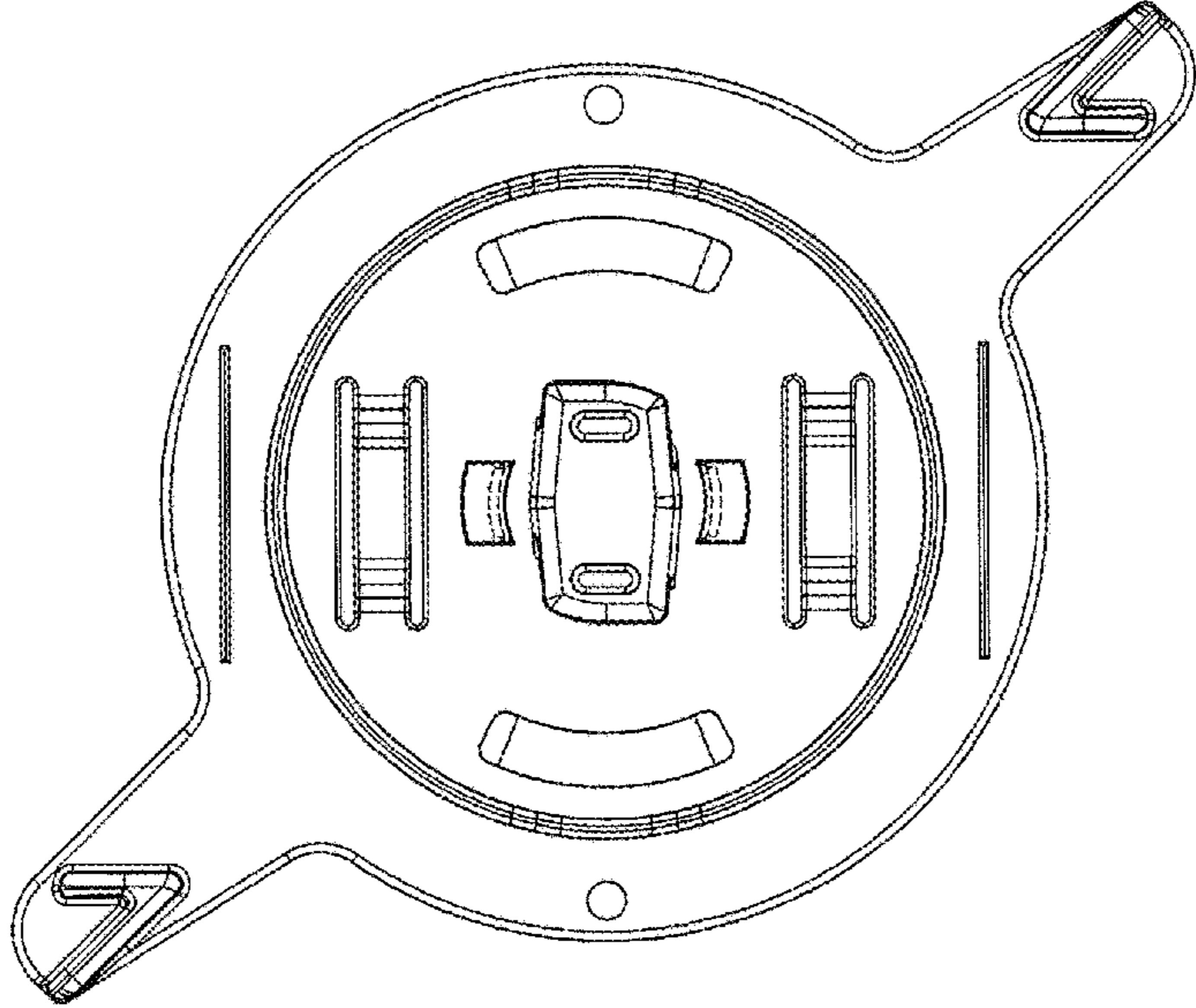
The ornamental design for the pedestal adaptor, as shown and described.

**DESCRIPTION**

FIG. 1 is a top plan view of a pedestal adaptor of the claimed design;  
FIG. 2 is a bottom plan view of the pedestal adaptor;  
FIG. 3 is an isometric view from below of the pedestal adaptor;  
FIG. 4 is a front view of the pedestal adaptor;  
FIG. 5 is a rear view of the pedestal adaptor;  
FIG. 6 is a right side view of the pedestal adaptor; and,  
FIG. 7 is a left side view of the pedestal adaptor.  
The dash lines in the Figures illustrate portions of the pedestal adapter which form no part of the claimed design.

(56) **References Cited**  
U.S. PATENT DOCUMENTS  
D548,422 S \* 8/2007 Lee ..... D34/31  
D641,534 S \* 7/2011 Lee ..... D34/31  
D644,404 S \* 8/2011 Lee ..... D34/35  
D733,528 S \* 7/2015 Lee ..... D8/354  
D738,589 S \* 9/2015 Pelc ..... D34/31  
9,410,296 B2 \* 8/2016 Tabibnia ..... E01C 5/00  
10,066,407 B2 \* 9/2018 Buzon ..... E04F 15/02464

**1 Claim, 7 Drawing Sheets**



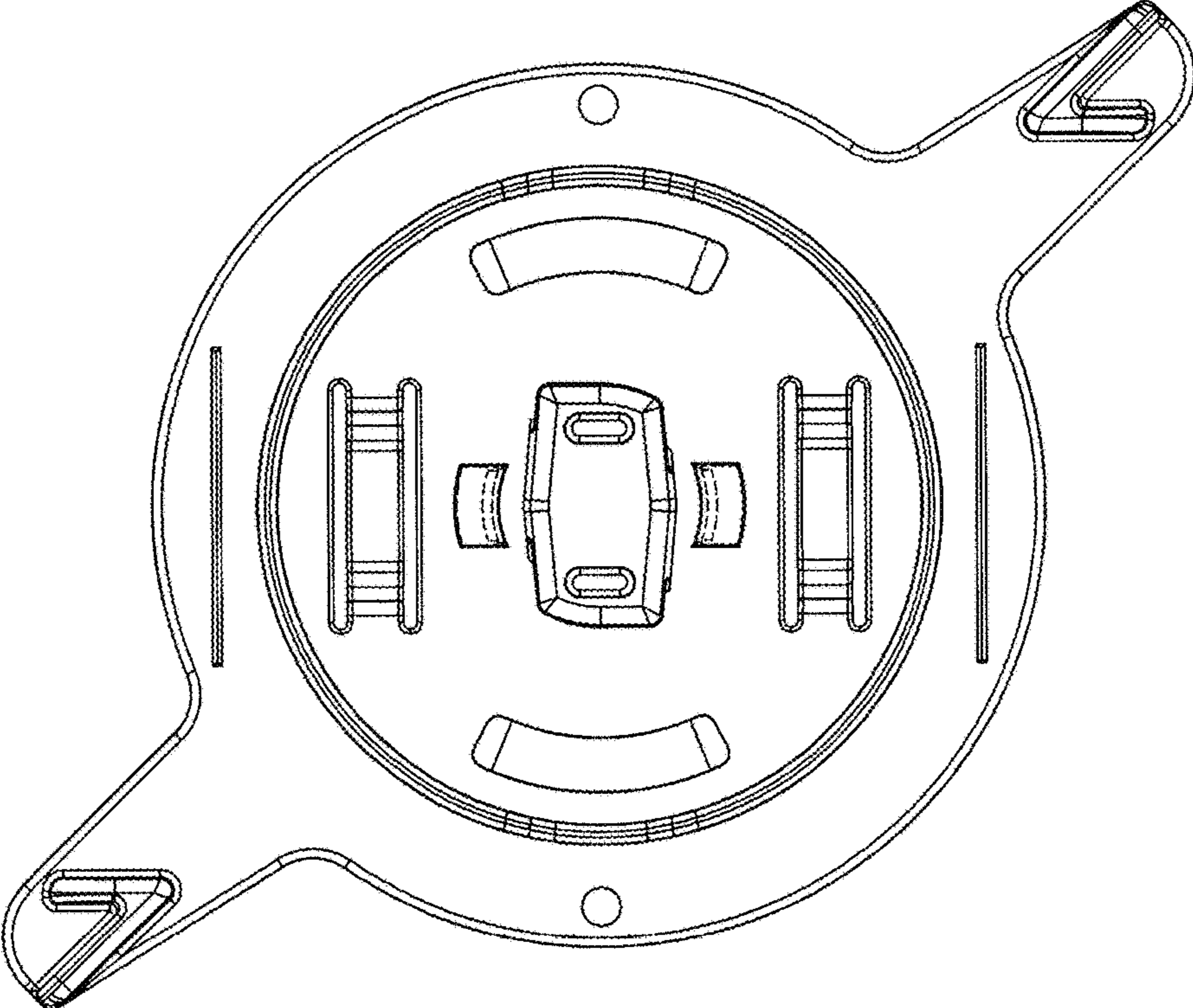


FIG. 1

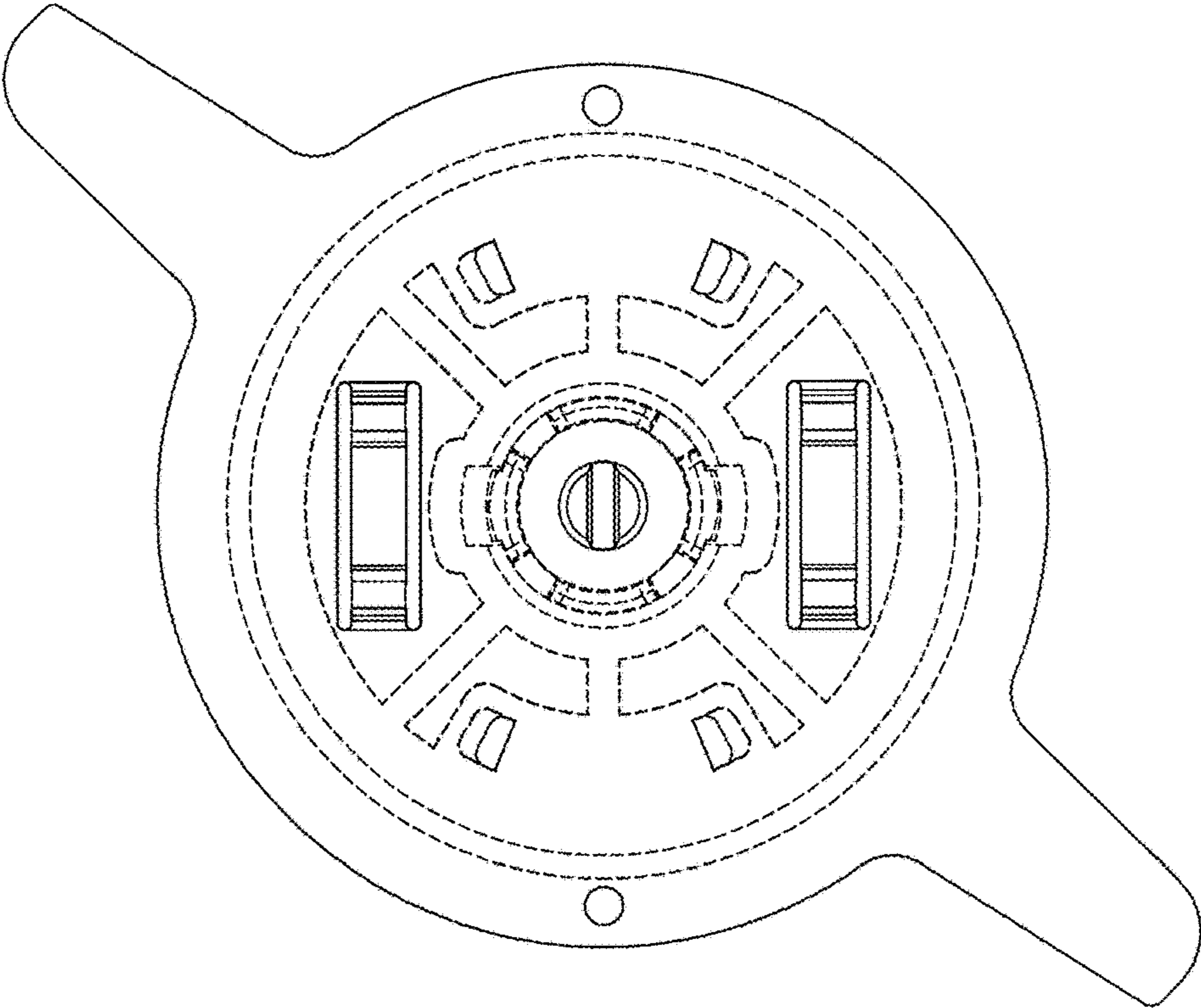


FIG. 2

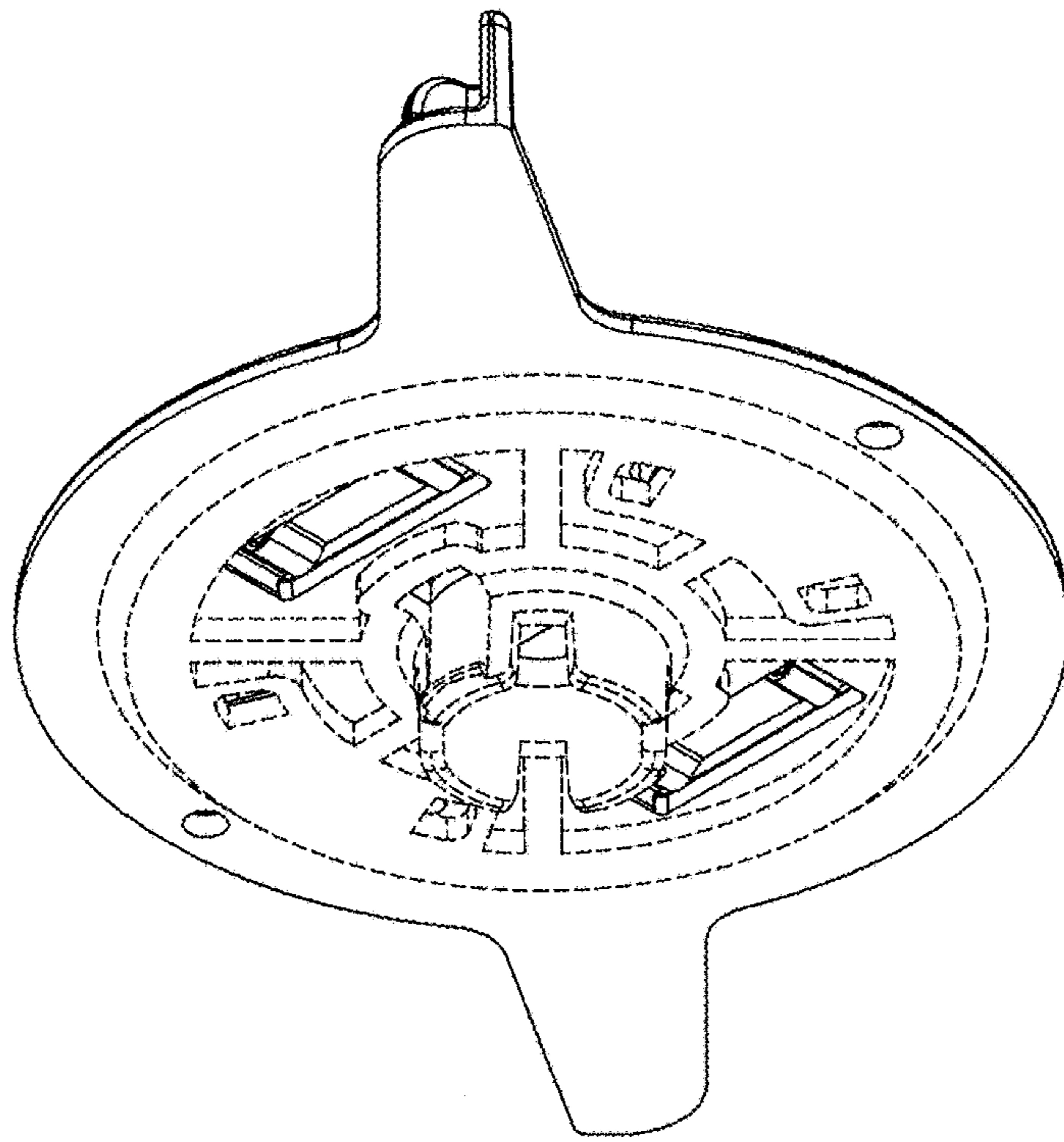


FIG. 3

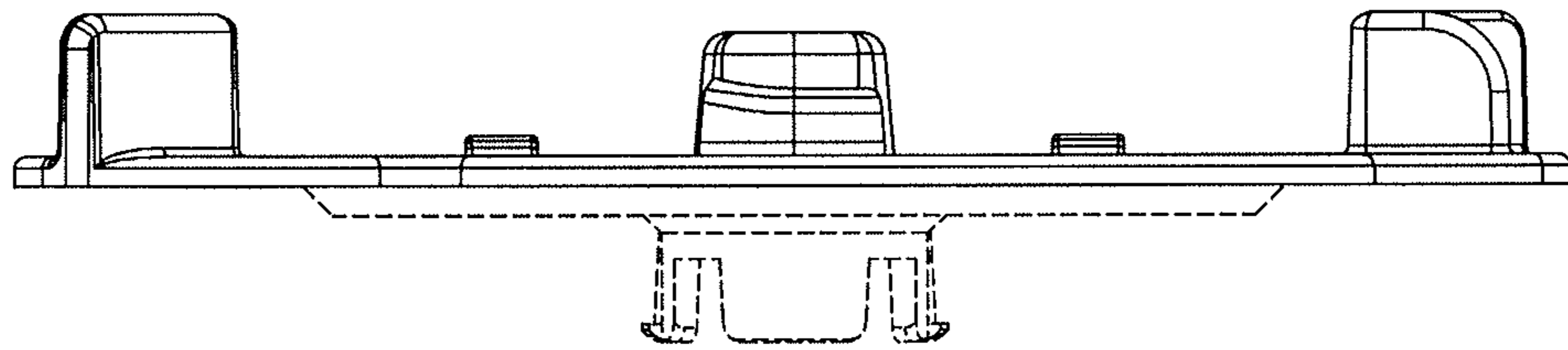


FIG. 4

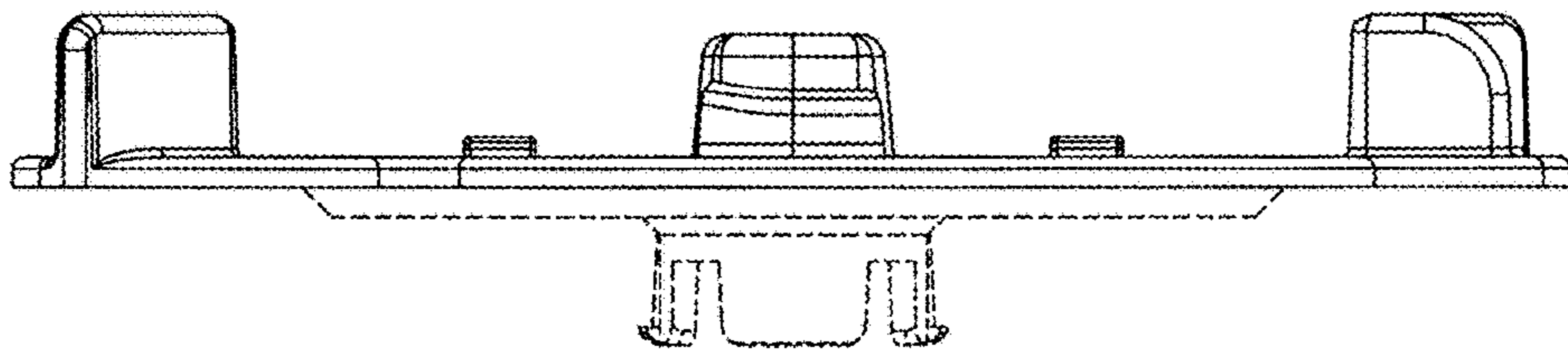


FIG. 5

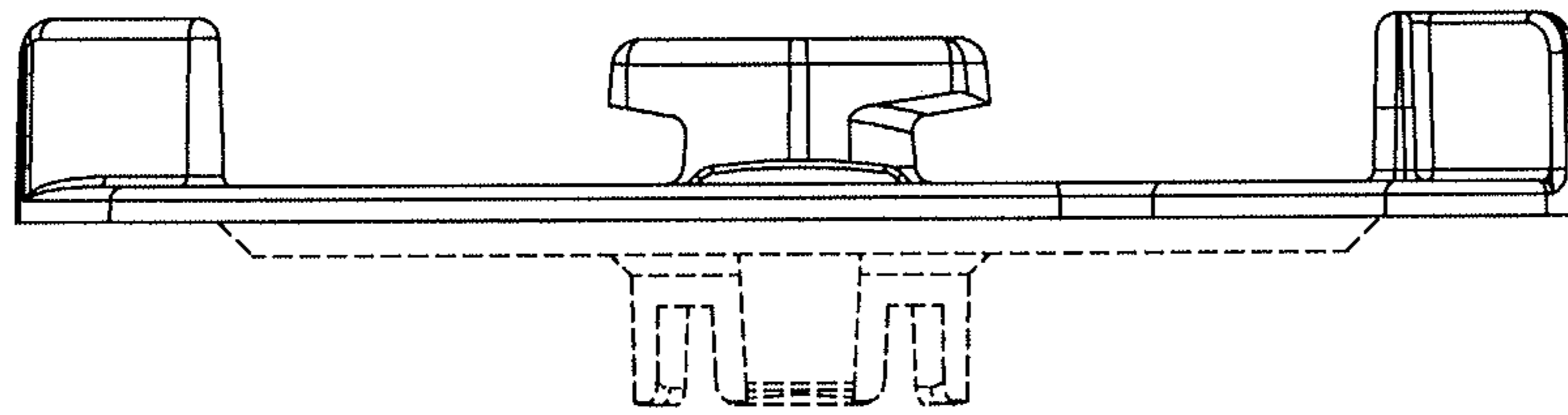


FIG. 6

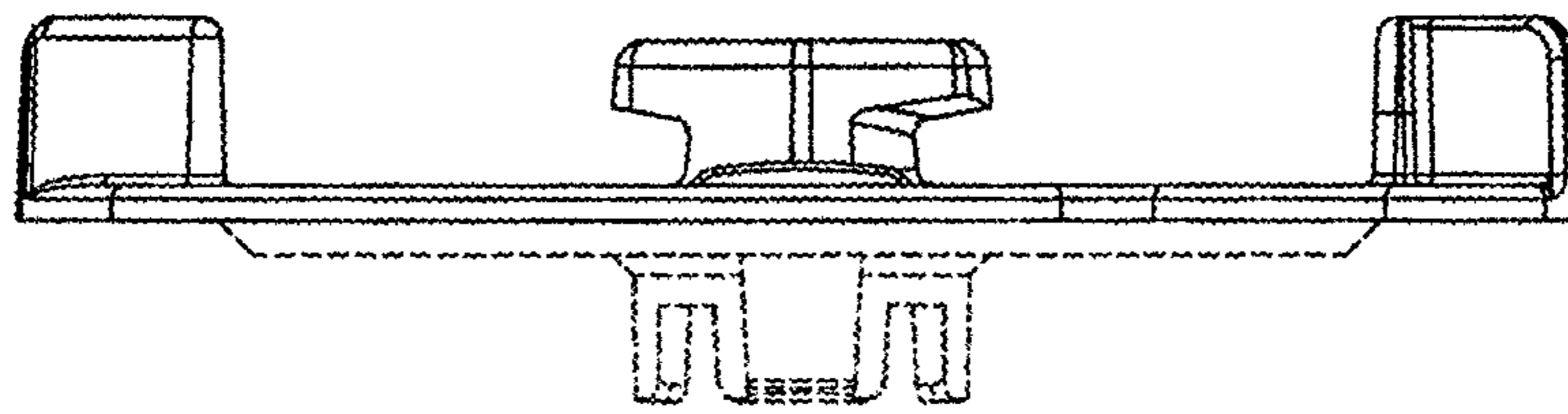


FIG. 7