



US00D842681S

(12) **United States Design Patent**  
**Lai**

(10) **Patent No.:** **US D842,681 S**

(45) **Date of Patent:** **\*\* Mar. 12, 2019**

- (54) **SMART PARKING LOCK**
- (71) Applicant: **Chunyan Lai**, Guangdong (CN)
- (72) Inventor: **Chunyan Lai**, Guangdong (CN)
- (73) Assignee: **SHENZHEN OMNI INTELLIGENT TECHNOLOGY CO., LTD.**, Shenzhen (CN)

D350,054	S	*	8/1994	Richter	.....	D8/331
D358,698	S	*	5/1995	Henry	.....	D12/106
D366,822	S	*	2/1996	Brooks	.....	D8/330
D506,121	S	*	6/2005	Falconer	.....	D12/162
D517,395	S	*	3/2006	Alchin	.....	D8/302
D524,632	S	*	7/2006	Kearns	.....	D8/334
D747,640	S	*	1/2016	Scalisi	.....	D8/331
D801,693	S	*	11/2017	Salvador	.....	D3/324
2015/0197963	A1	*	7/2015	Chen	.....	E05B 37/00 70/14

- (\*\*) Term: **15 Years**
- (21) Appl. No.: **29/625,356**
- (22) Filed: **Nov. 9, 2017**
- (51) **LOC (11) Cl.** ..... **08-07**
- (52) **U.S. Cl.**  
USPC ..... **D8/331**
- (58) **Field of Classification Search**  
USPC ..... D8/330, 331-336, 338, 343, 347; 70/57,  
70/57.1, 14, 20-22, 91, 92, 102, 141,  
70/237, 272.2, 278.1, 278.7, 279.1, 416,  
70/465, 442, 443, 214, 447, 367;  
340/542, 547, 545.1, 545.7; 292/336.3,  
292/301-304, 358, 359  
CPC . E05B 9/00; E05B 9/08; E05B 13/103; E05B  
27/00; E05B 35/00; E05B 37/00; E05B  
41/00; E05B 49/00; E05B 51/00; E05B  
55/00; E05B 65/00; E05B 65/007; E05B  
15/0093  
See application file for complete search history.

**FOREIGN PATENT DOCUMENTS**

DE	102012107869	A1	*	2/2014	.....	F16H 59/02
FR	2738864	A1	*	3/1997	.....	A44B 19/301
WO	WO-2005085561	A1	*	9/2005	.....	E04H 6/42

\* cited by examiner

*Primary Examiner* — R. Johnson

(57) **CLAIM**

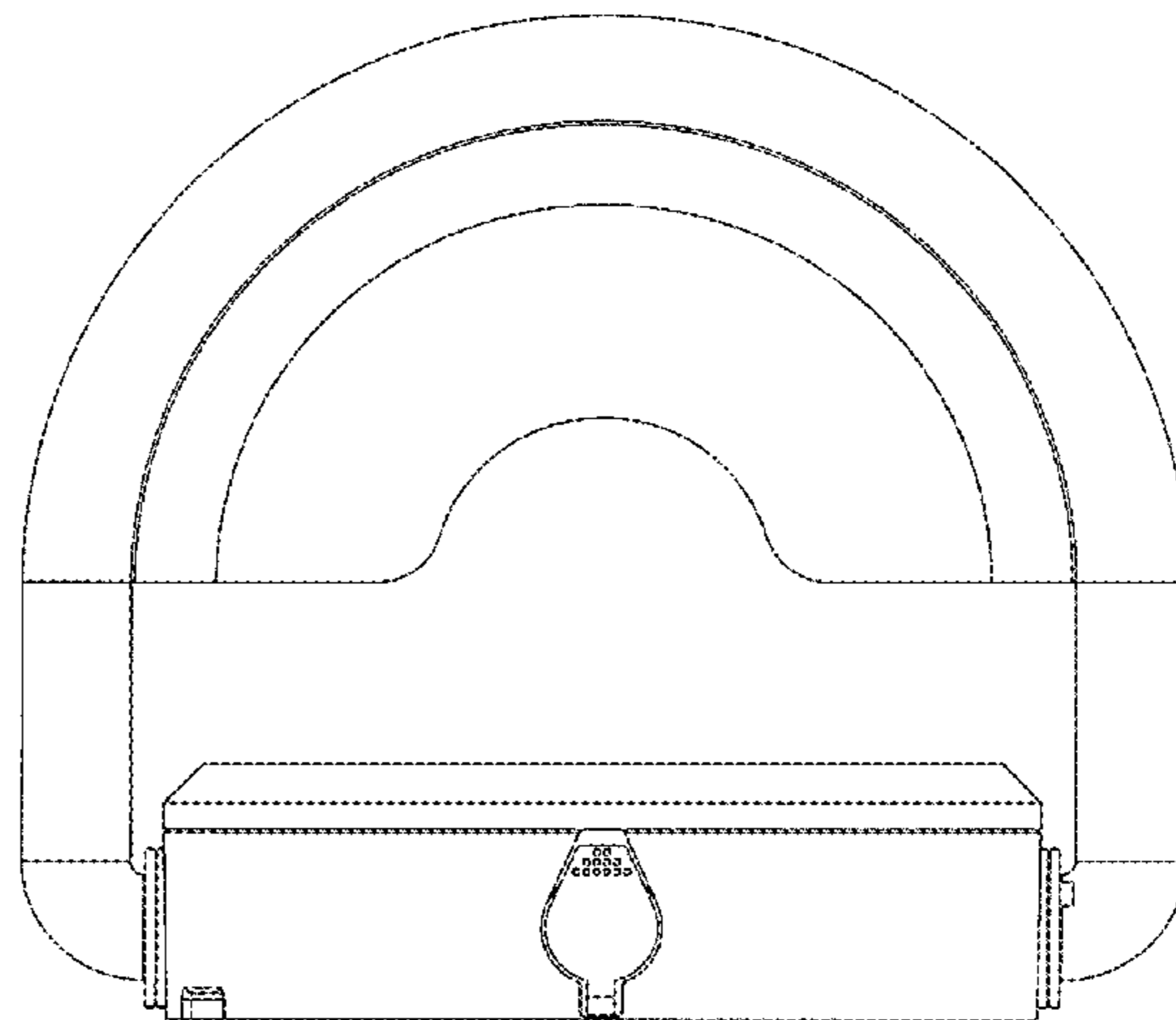
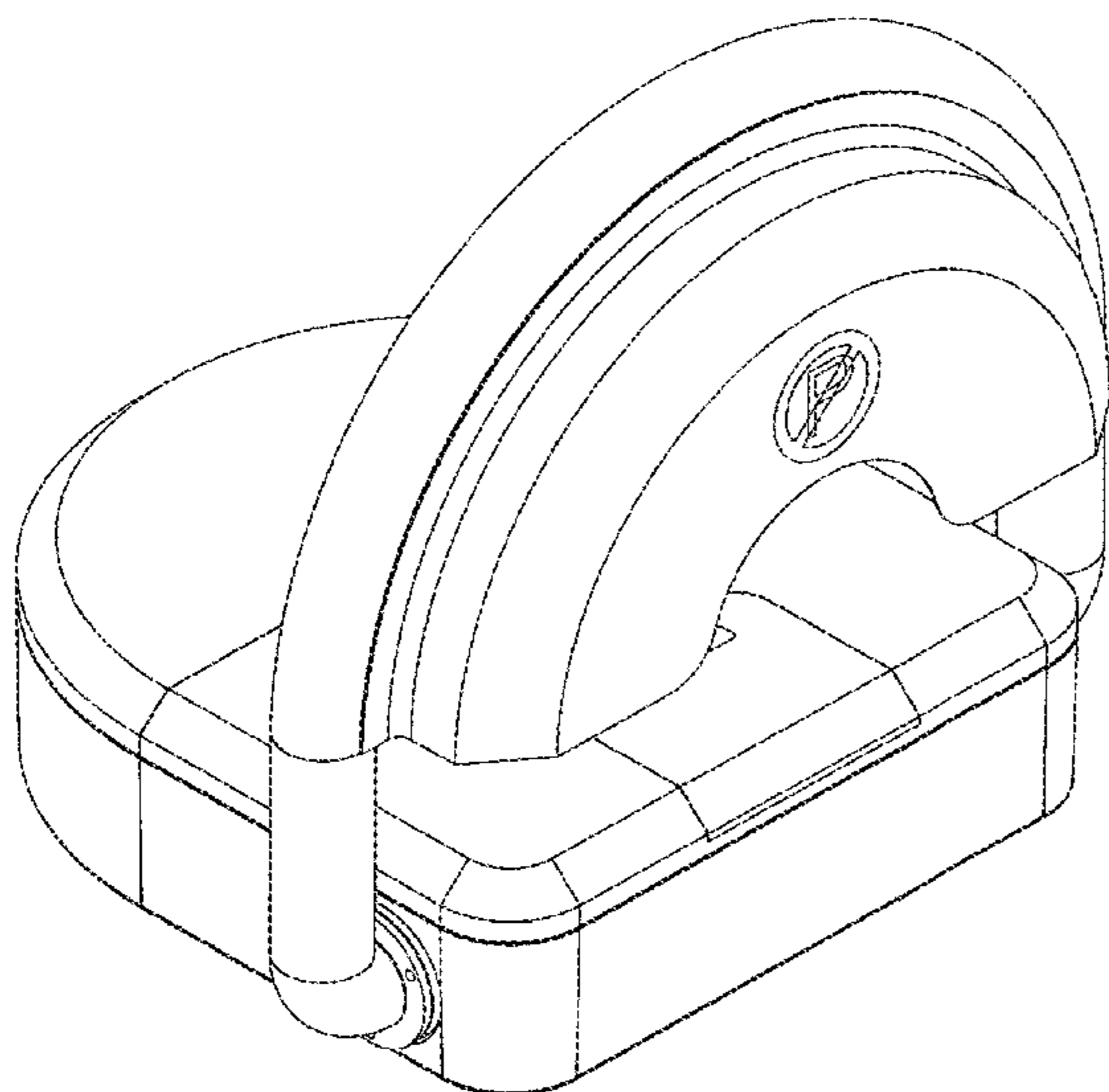
The ornamental design for a smart parking lock, as shown and described.

**DESCRIPTION**

FIG. 1 is a perspective view of a smart parking lock showing my new design;  
 FIG. 2 is a front elevational view thereof;  
 FIG. 3 is a rear elevational view thereof;  
 FIG. 4 is a left side elevational view thereof;  
 FIG. 5 is a right side elevational view thereof;  
 FIG. 6 is a top plan view thereof; and,  
 FIG. 7 is a bottom plan view thereof.  
 FIG. 8 is an other perspective view thereof.  
 The broken lines shown in drawings are for the purpose of illustrating portions of the smart parking lock and form no part of the claimed design.

**1 Claim, 8 Drawing Sheets**

- (56) **References Cited**  
U.S. PATENT DOCUMENTS  
2,672,040 A \* 3/1954 Komenak ..... E05B 65/50  
70/76  
D283,005 S \* 3/1986 Gisiger ..... 70/312  
D288,931 S \* 3/1987 Gisiger ..... D8/330



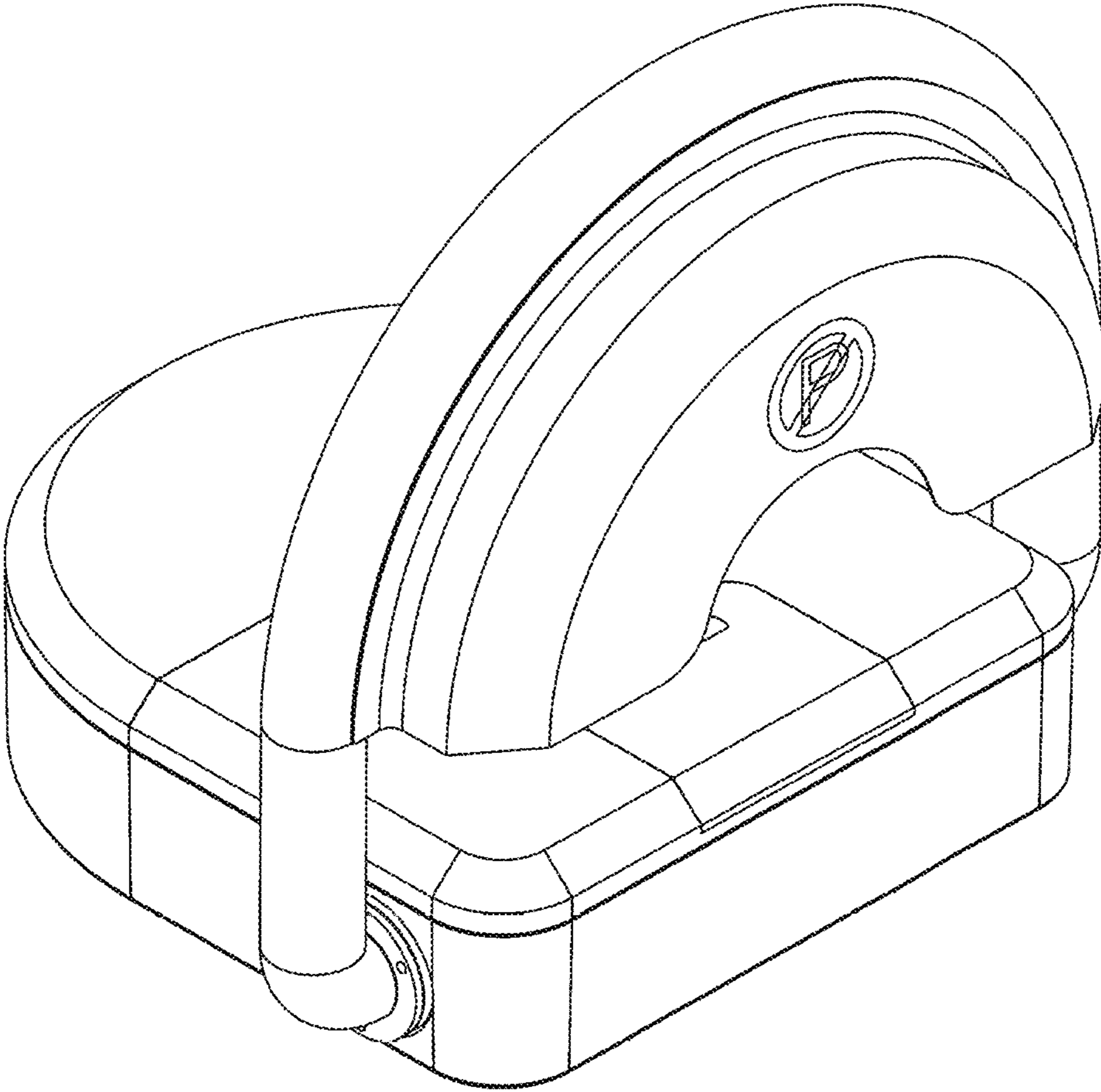


FIG.1

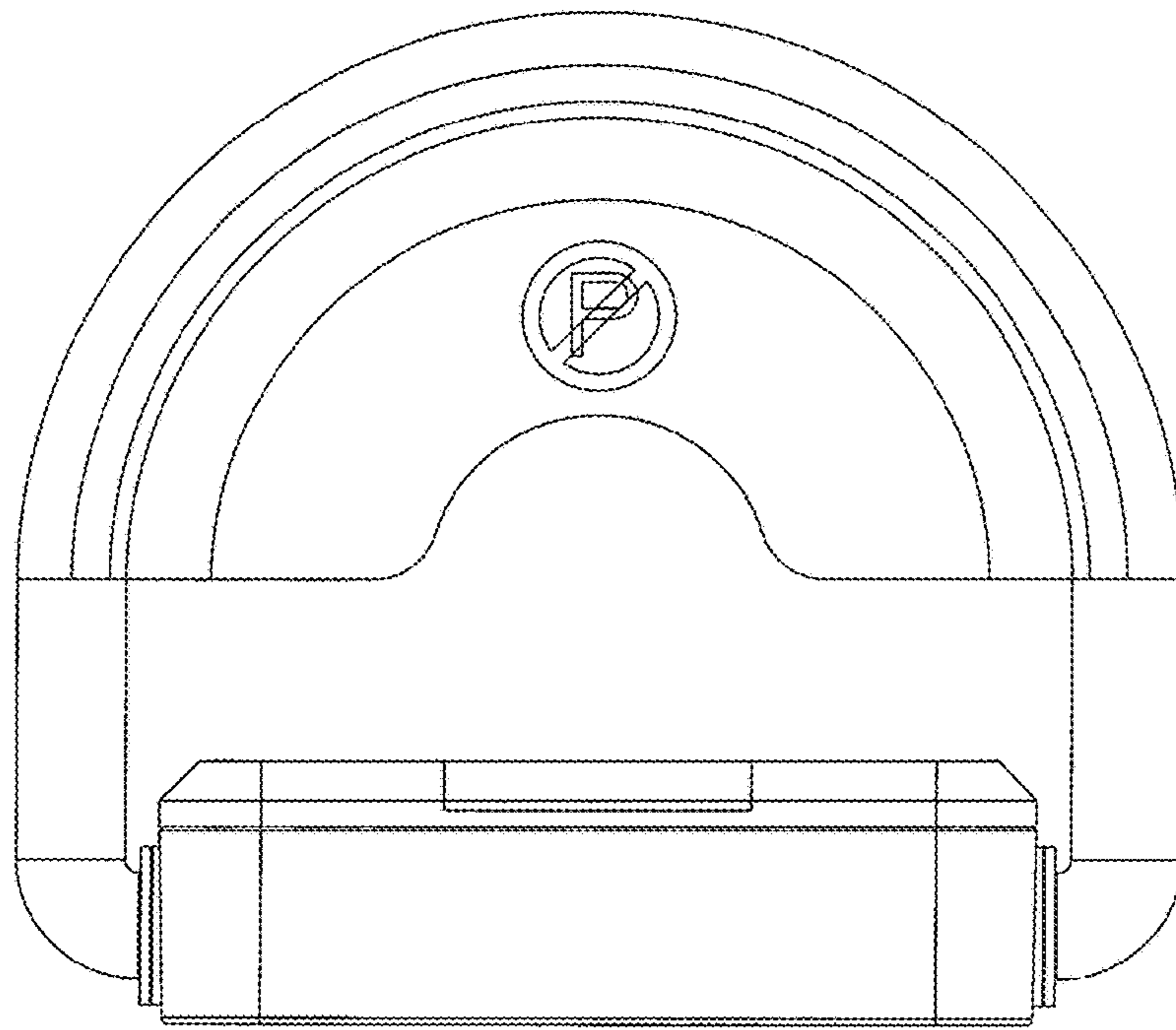


FIG. 2

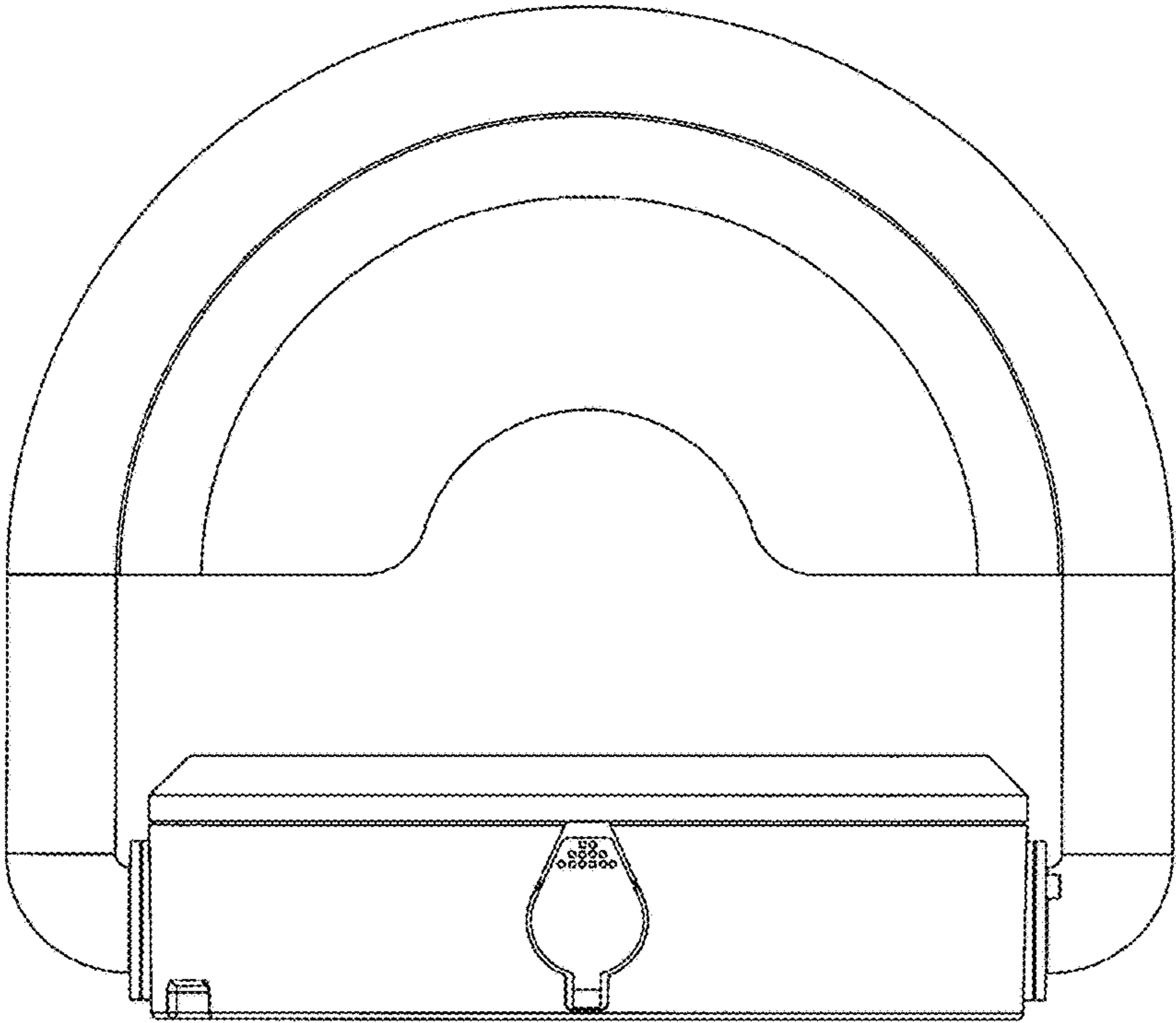


FIG.3

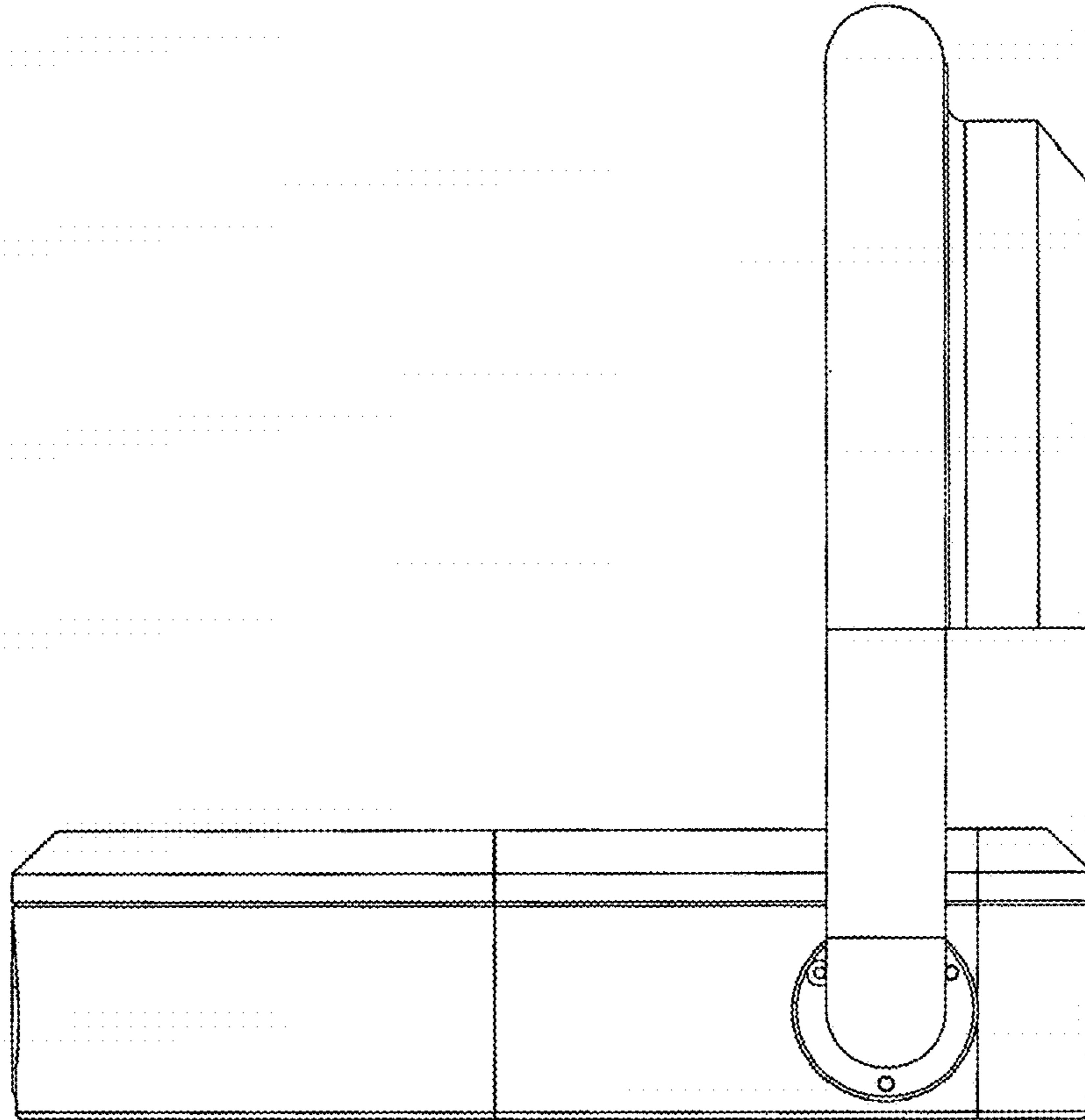


FIG. 4

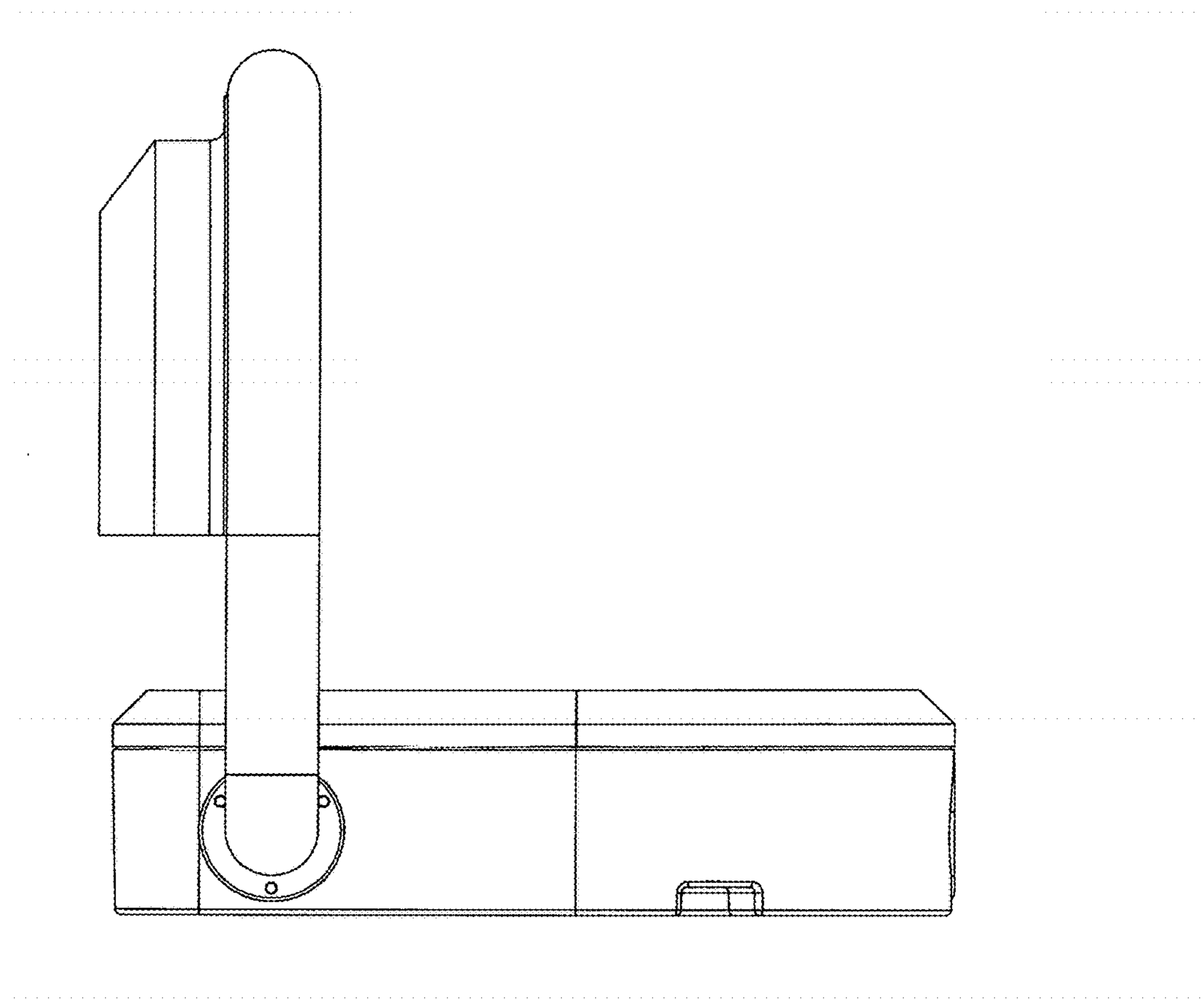


FIG. 5

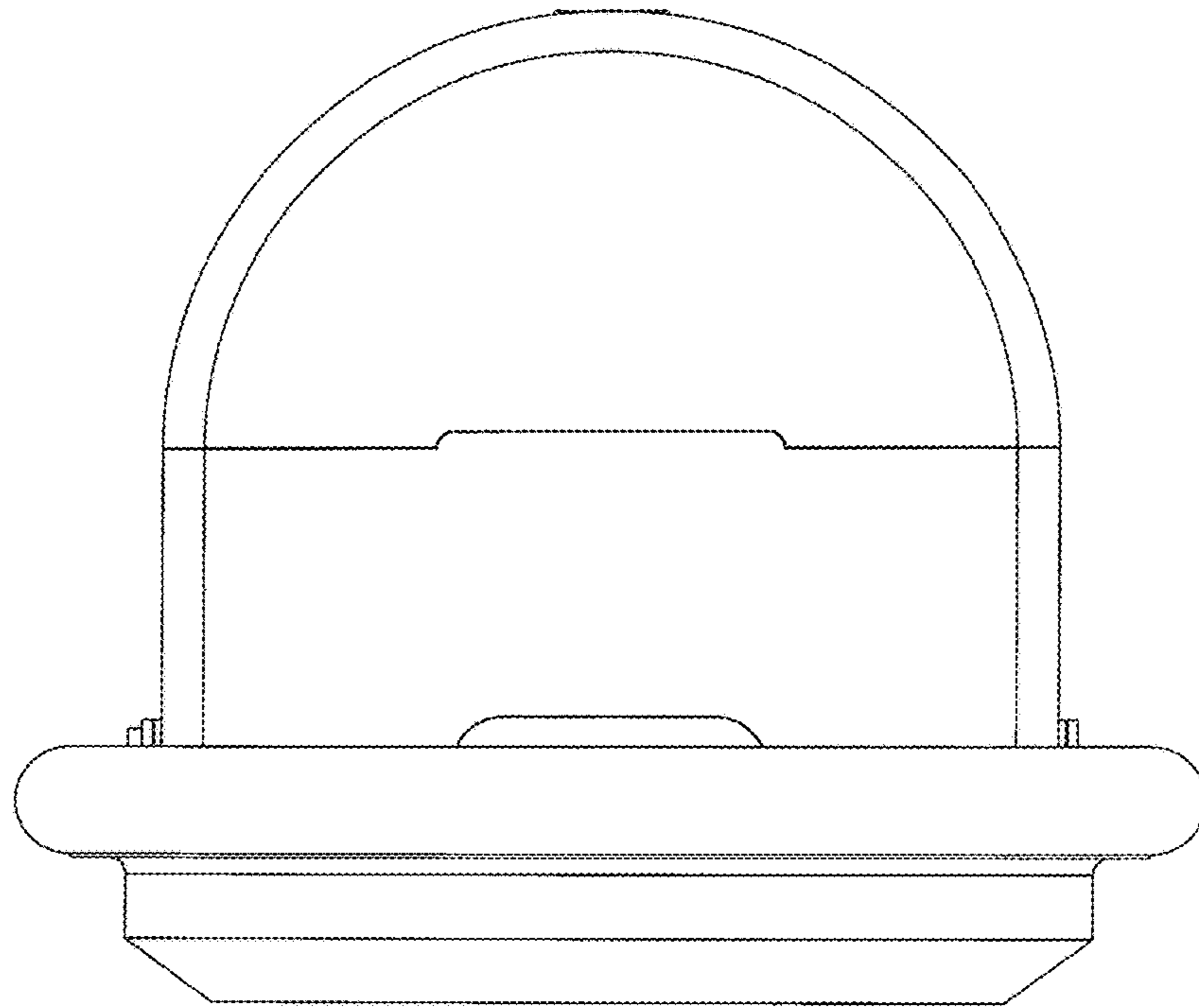


FIG. 6

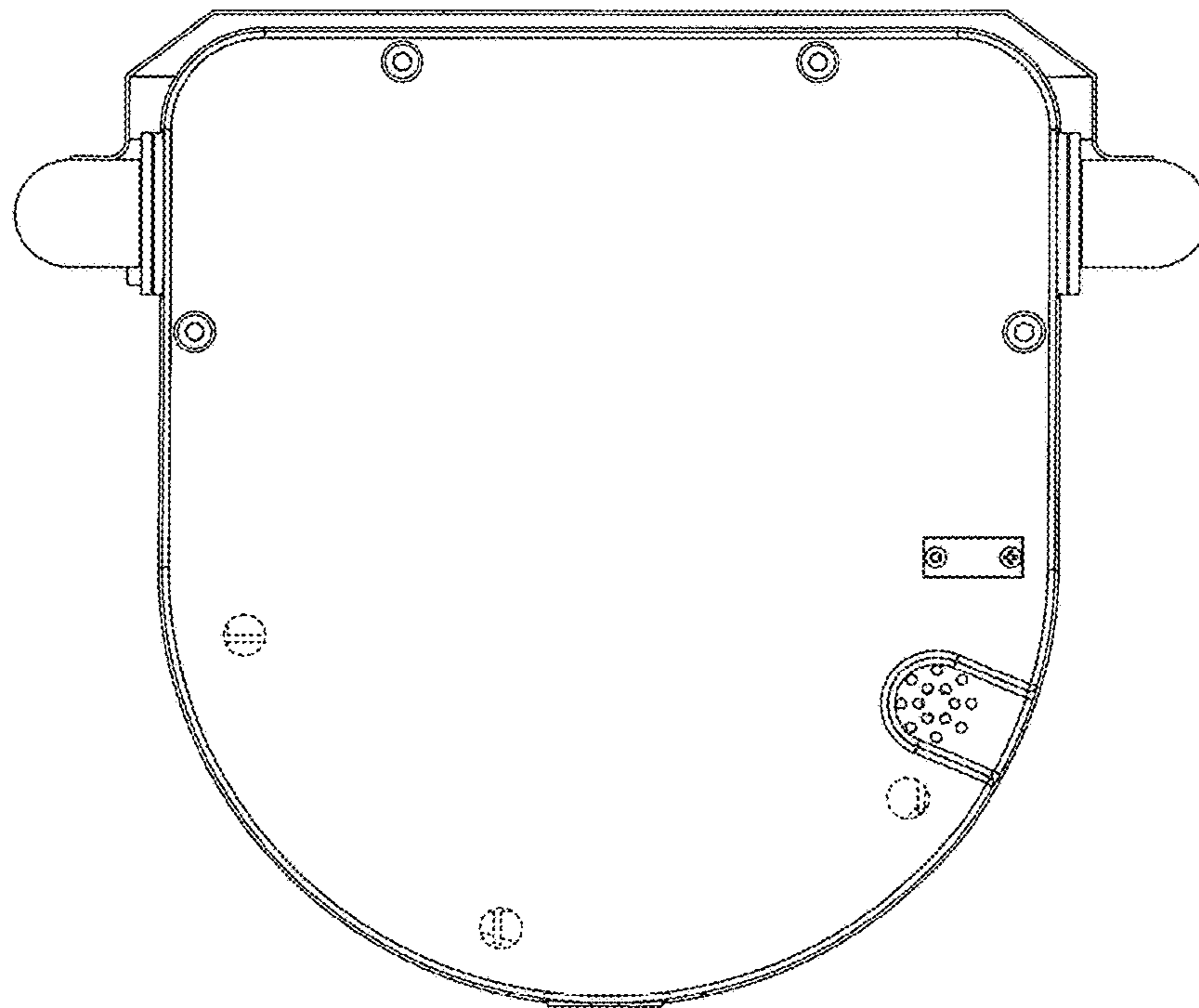


FIG. 7



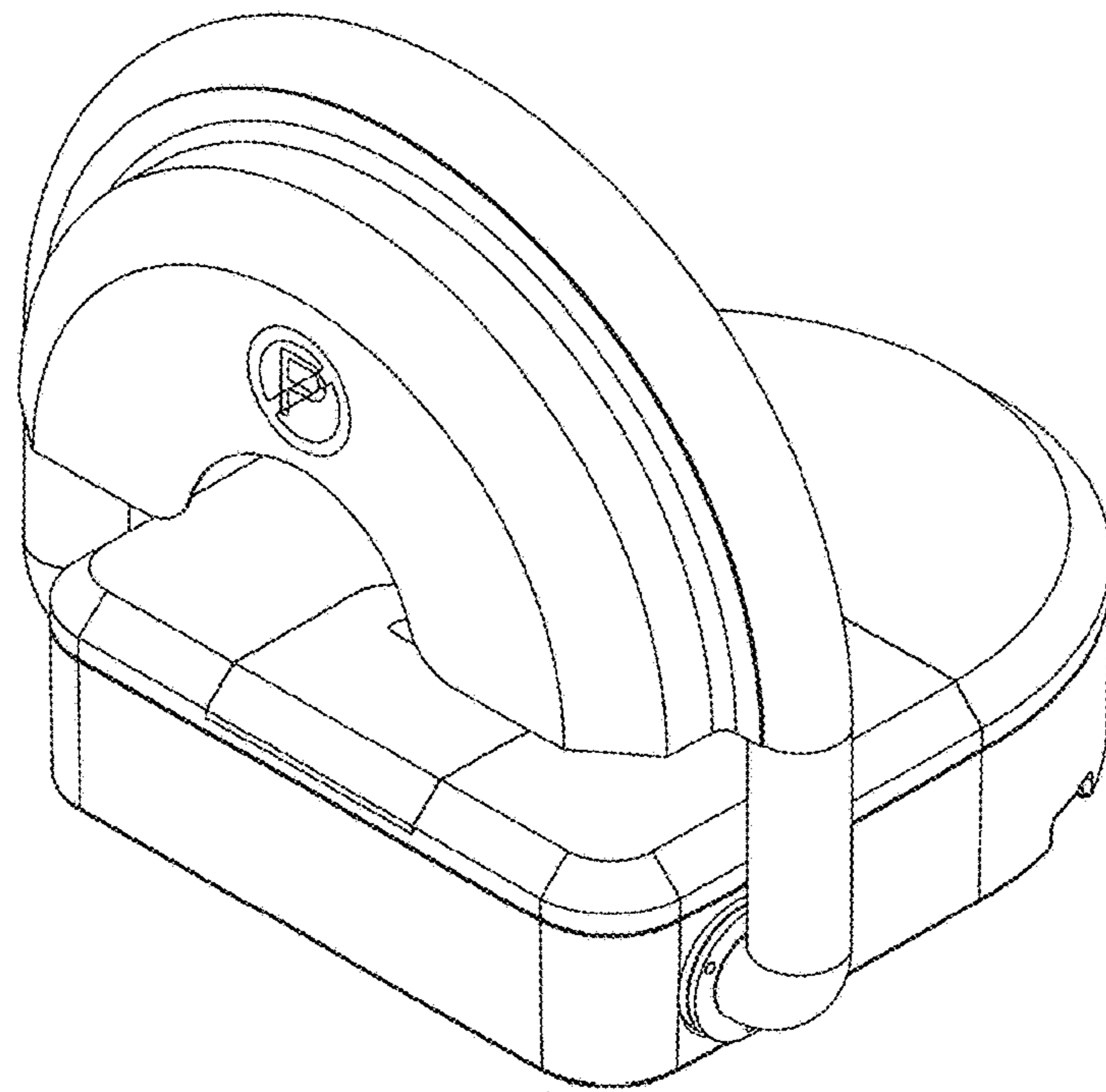


FIG.8