



US00D842680S

(12) **United States Design Patent**
Huang et al.

(10) **Patent No.:** **US D842,680 S**
(45) **Date of Patent:** **** Mar. 12, 2019**

(54) **CATCH**

(71) Applicant: **MAYAPPLE BABY LLC**, Brooklyn, NY (US)

(72) Inventors: **Jianying Huang**, Brooklyn, NY (US);
Chris Hazzard, Brooklyn, NY (US);
Mingbo Zhang, Brooklyn, NY (US)

(73) Assignee: **Mayapple Baby LLC**, Brooklyn, NY (US)

(**) Term: **15 Years**

(21) Appl. No.: **29/607,806**

(22) Filed: **Jun. 16, 2017**

(51) **LOC (11) Cl.** **08-07**

(52) **U.S. Cl.**
USPC **D8/330**

(58) **Field of Classification Search**
USPC D8/330, 331-336, 338, 343, 344, 347;
340/542, 547, 545.1, 545.7; 70/57, 57.1,
70/14, 20-22, 91, 92, 102, 141, 237,
70/272.2, 278.1, 278.7, 279.1, 416, 465,
70/442, 443, 214, 447, 367; 292/336.3,
292/301-304, 358, 359
CPC . E05B 9/00; E05B 9/08; E05B 13/103; E05B
27/00; E05B 35/00; E05B 37/00; E05B
41/00; E05B 49/00; E05B 51/00; E05B
55/00; E05B 65/00; E05B 65/007; E05B
15/0093

See application file for complete search history.

(56) **References Cited**

U.S. PATENT DOCUMENTS

4,134,608 A * 1/1979 Pool E05C 17/52
16/82
D251,584 S * 4/1979 Sorensen D8/382

D266,395 S * 10/1982 Miller D8/343
D292,868 S * 11/1987 Cheng D8/331
D293,765 S * 1/1988 Miles D8/330
D339,056 S * 9/1993 Black D8/344
D351,781 S * 10/1994 DeWitt D8/343
D442,463 S * 5/2001 Tieu D8/330
D474,675 S * 5/2003 Simon D8/346
D549,080 S * 8/2007 Killins D8/346
D558,024 S * 12/2007 Tremble D8/331
D635,436 S * 4/2011 Barton D8/331
D764,891 S * 8/2016 Gokcebay D8/330
D777,558 S * 1/2017 Magee E05B 15/025
D8/343
D807,133 S * 1/2018 Tunney D8/40
D809,366 S * 2/2018 Gokcebay D8/331

* cited by examiner

Primary Examiner — R. Johnson

(74) *Attorney, Agent, or Firm* — Winston & Strawn LLP

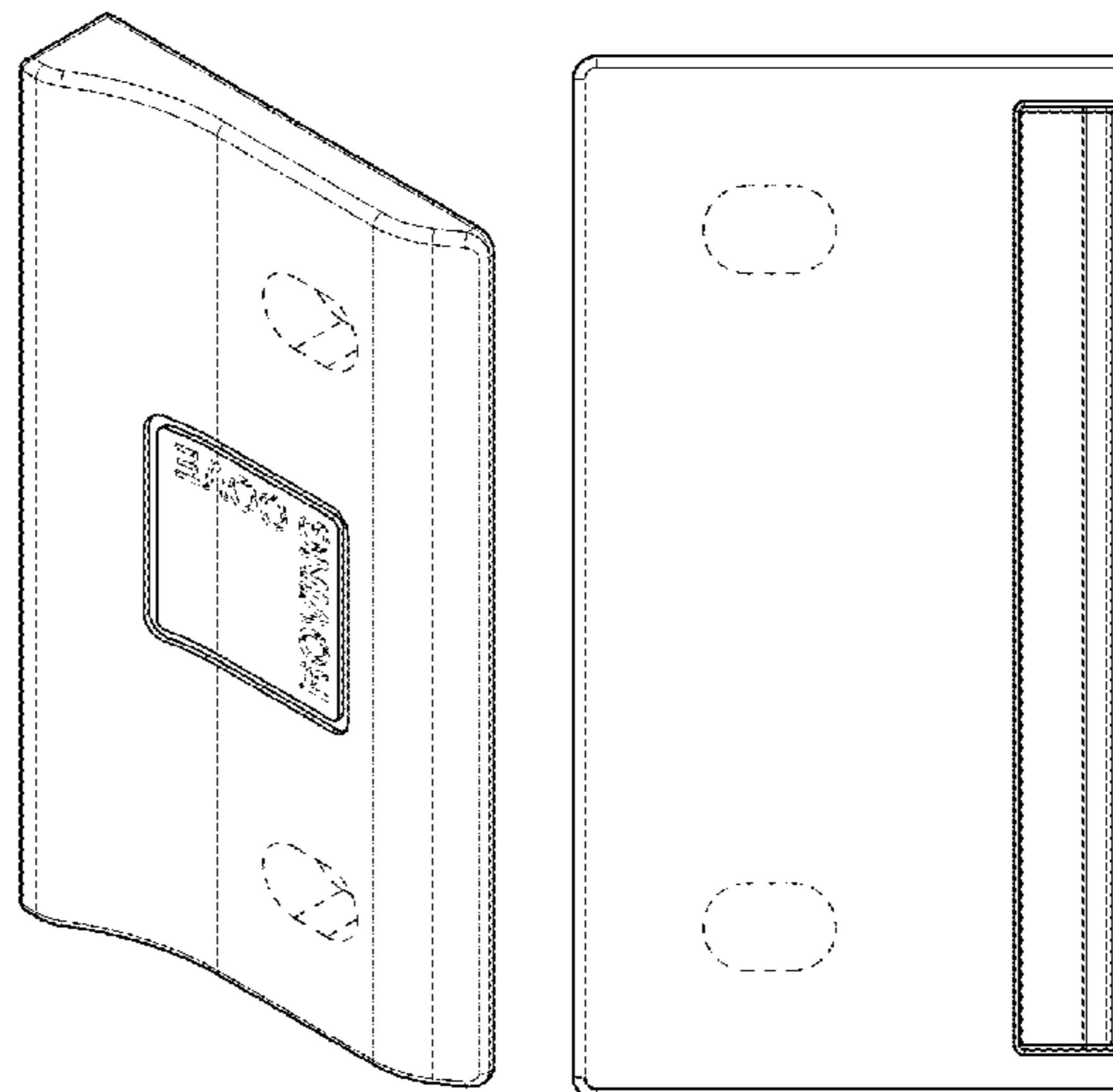
(57) **CLAIM**

The ornamental design for a catch, as shown and described.

DESCRIPTION

FIG. 1 is a perspective view of an embodiment of a catch according to our new design;
FIG. 2 is a top view of the catch of FIG. 1;
FIG. 3 is a bottom view of catch of FIG. 1;
FIG. 4 is a front view of the catch of FIG. 1;
FIG. 5 is a rear view of the catch of FIG. 1;
FIG. 6 is a side view of the catch of FIG. 1; and,
FIG. 7 is an opposite side view of the catch of FIG. 1.
In this design, any elements shown in broken lines form no part of the claimed design.

1 Claim, 6 Drawing Sheets



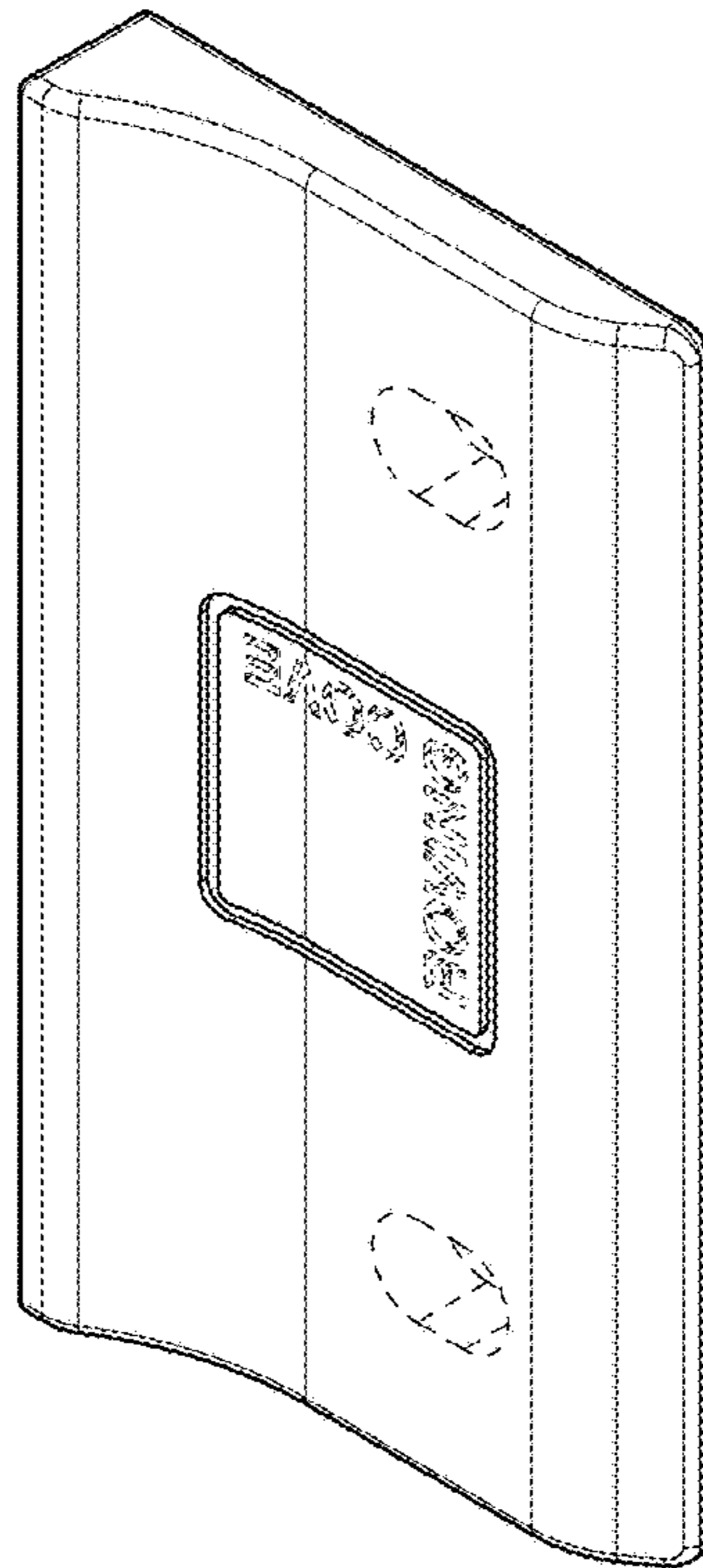


FIG. 1

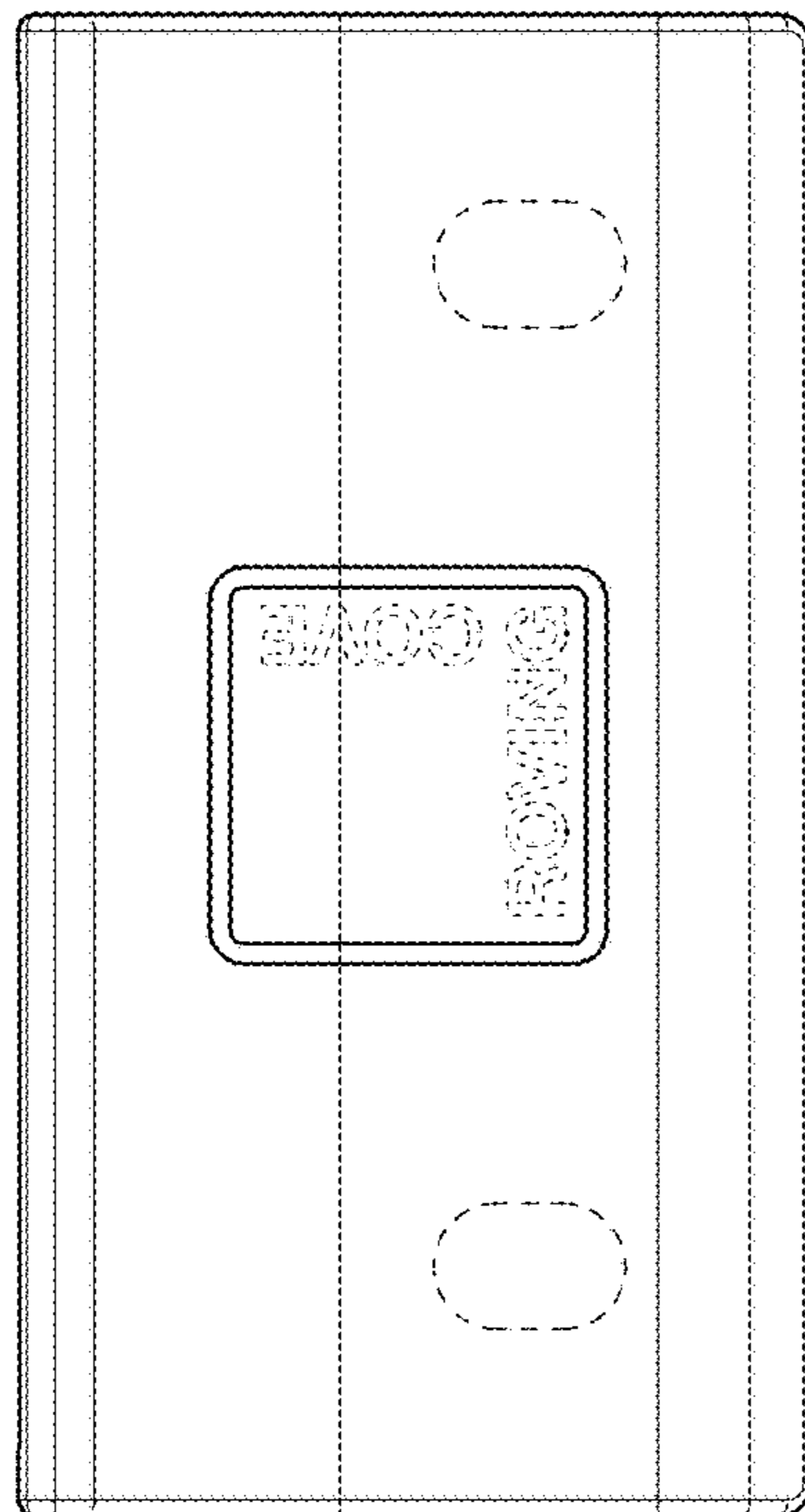


FIG. 2

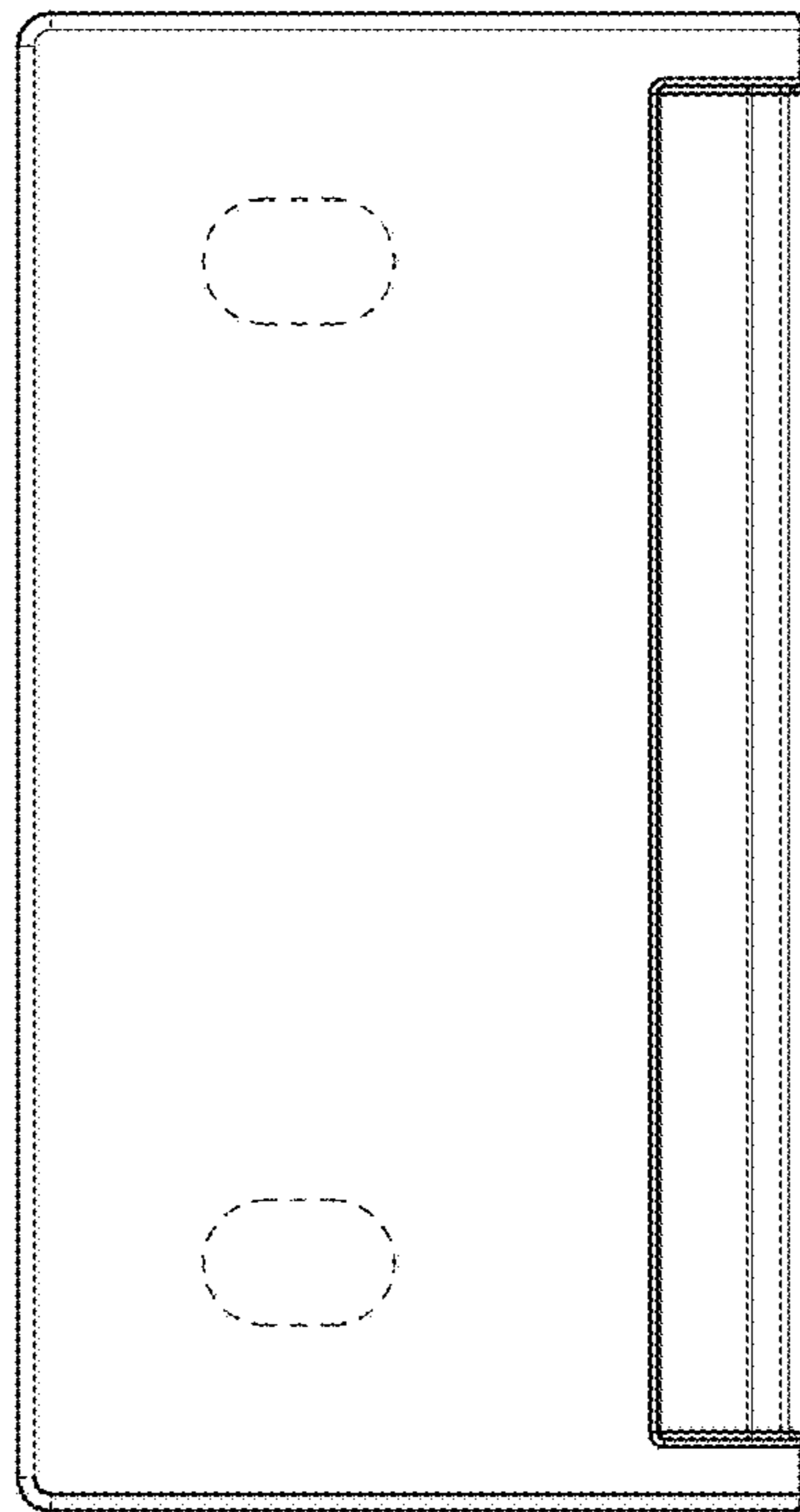


FIG. 3

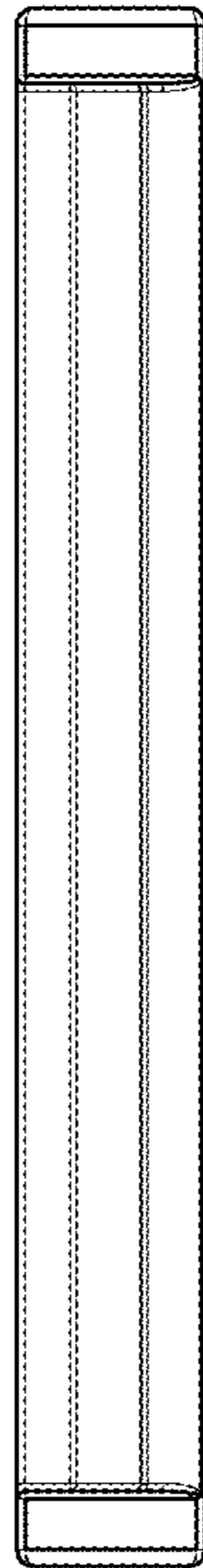


FIG. 4

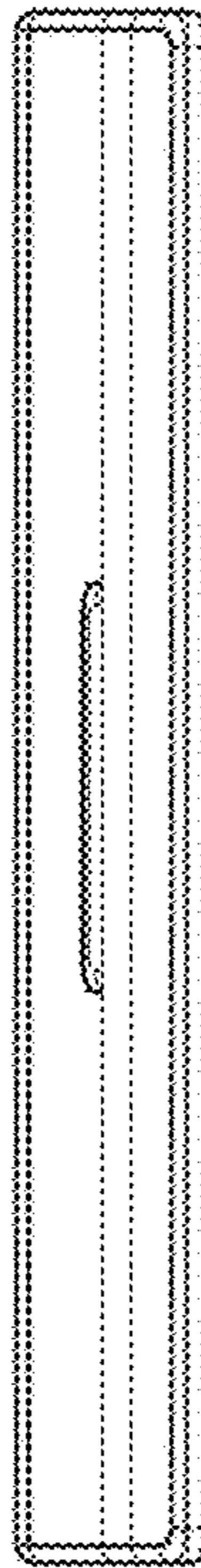


FIG. 5

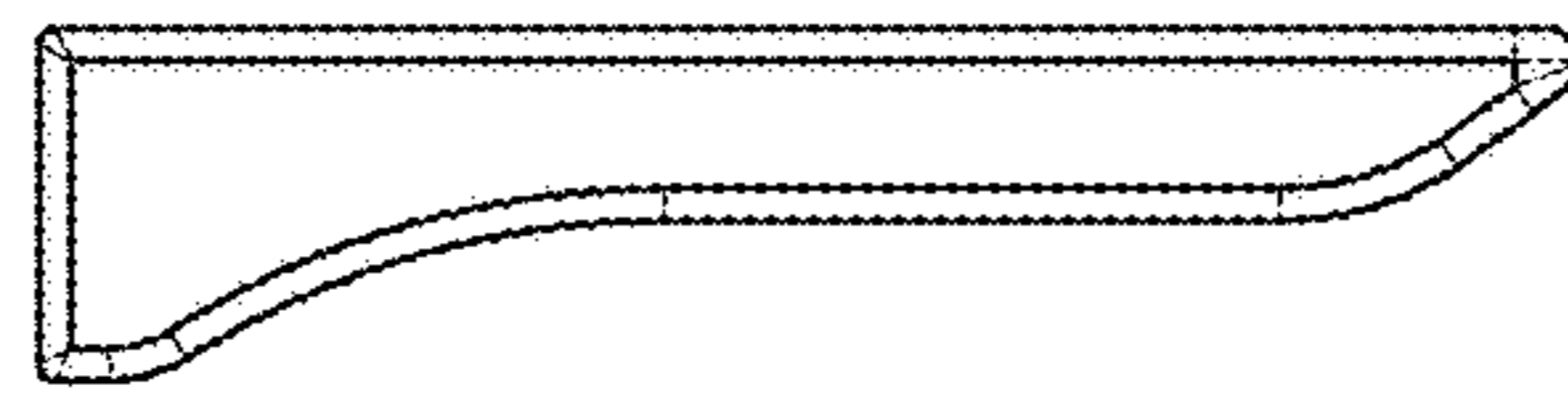


FIG. 6

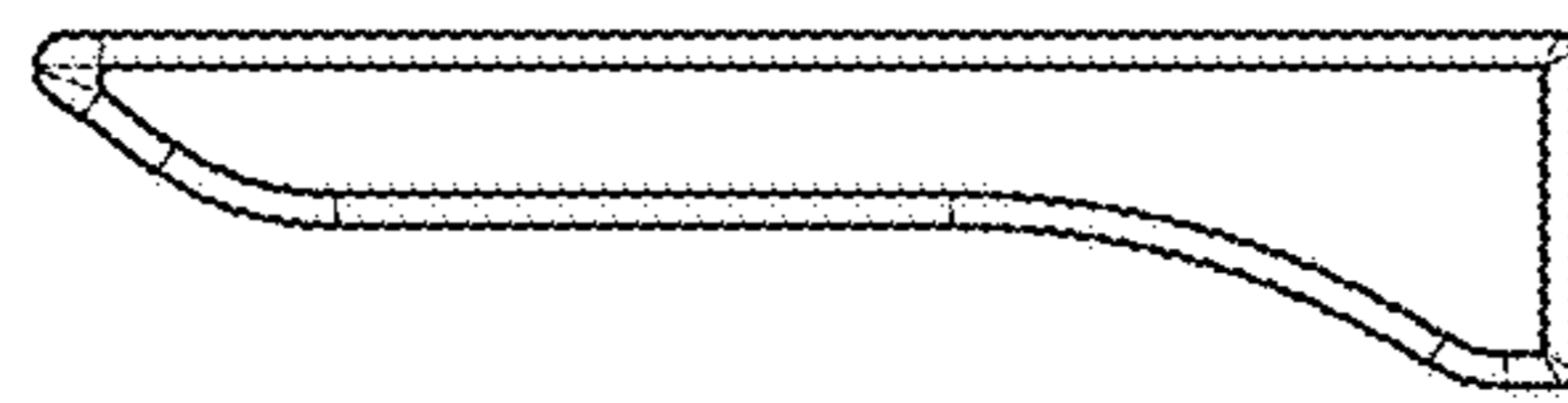


FIG. 7