



US00D842679S

(12) **United States Design Patent**
Todd, Jr.

(10) **Patent No.:** **US D842,679 S**
(45) **Date of Patent:** **** Mar. 12, 2019**

(54) **HINGE**
(71) Applicant: **Southco, Inc.**, Concordville, PA (US)
(72) Inventor: **John Joseph Todd, Jr.**, Springfield, PA (US)
(73) Assignee: **SOUTHCO, INC.**, Concordville, PA (US)
(**) Term: **15 Years**
(21) Appl. No.: **29/594,071**
(22) Filed: **Feb. 15, 2017**
(51) **LOC (11) Cl.** **08-06**
(52) **U.S. Cl.**
USPC **D8/323**
(58) **Field of Classification Search**
USPC D8/323, 327, 328
CPC E05D 5/12; E05D 11/082; E05D 1/02;
B64G 1/222
See application file for complete search history.

D649,008 S * 11/2011 Caffin D8/323
D649,009 S * 11/2011 Caffin et al. D8/323
D653,097 S * 1/2012 Hatano D8/328
D726,525 S * 4/2015 Kenerly D8/328
(Continued)

FOREIGN PATENT DOCUMENTS

TW D165121 S 1/2015
TW D171849 S 11/2015

OTHER PUBLICATIONS

Reell Innovative Torque Solutions, <http://reell.com/products/position-hinges/mh12>, 2017, 5 Pages.
(Continued)

Primary Examiner — Cynthia R Underwood
(74) *Attorney, Agent, or Firm* — RatnerPrestia

(57) **CLAIM**

The ornamental design for a hinge, as shown and described.

DESCRIPTION

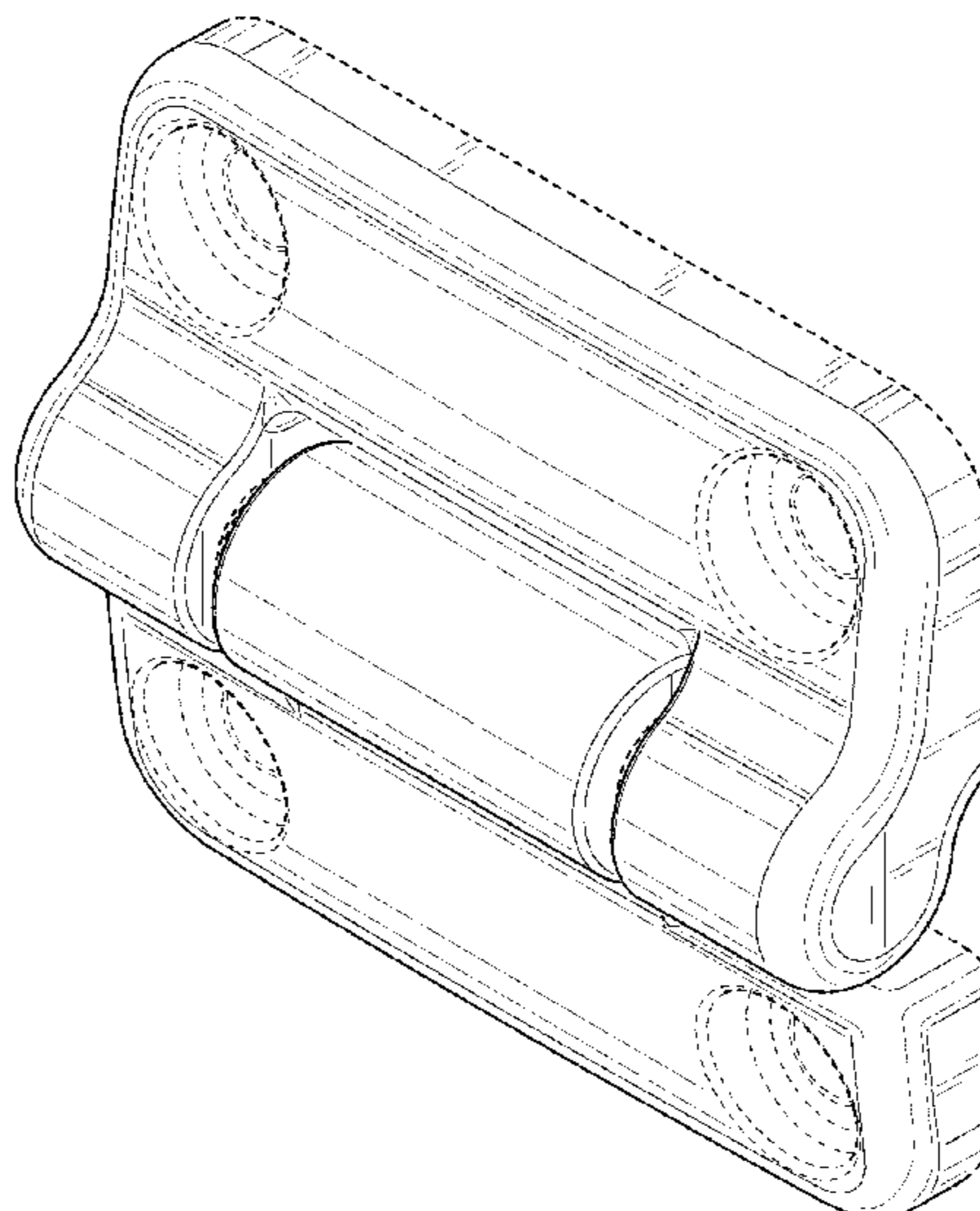
FIG. 1 is a top side isometric view of a hinge;
FIG. 2 is a bottom side isometric view thereof;
FIG. 3 is a top plan view thereof;
FIG. 4 is a bottom plan view thereof;
FIG. 5 is an elevation view from the left side thereof;
FIG. 6 is an elevation view from the right side thereof;
FIG. 7 is a front elevation view thereof;
FIG. 8 is a rear elevation view thereof;
FIG. 9 is a top side isometric view thereof showing the hinge in a pivoted configuration; and,
FIG. 10 is a bottom side isometric view thereof showing the hinge in the pivoted configuration.
The broken lines shown in the drawing views are for the purpose of illustrating portions of the hinge and form no part of the claimed design.

1 Claim, 10 Drawing Sheets

(56) **References Cited**

U.S. PATENT DOCUMENTS

1,832,902 A * 11/1931 Holbrook 16/392
D139,227 S * 10/1944 Greiling D8/323
D183,261 S * 7/1958 Mink D8/327
4,490,884 A 1/1985 Vickers
D284,931 S 8/1986 Bisbing
D344,667 S 3/1994 Riblett et al.
D376,971 S * 12/1996 Schutz D8/327
D385,475 S * 10/1997 Bolinas et al. D8/328
D401,134 S * 11/1998 Finkelstein D8/329
D436,515 S * 1/2001 Sonntag D8/328
D533,433 S * 12/2006 Loggen D8/329
D541,624 S * 5/2007 Franchini D8/328
D565,386 S * 4/2008 Bladen et al. D8/323
D584,130 S * 1/2009 Bertani D8/328
D621,683 S * 8/2010 Mullenix D8/323
D622,576 S * 8/2010 Farkas et al. D8/328
D635,433 S * 4/2011 Le D8/327



(56)

References Cited

U.S. PATENT DOCUMENTS

D741,142 S 10/2015 Todd et al.
D747,949 S 1/2016 Lindo et al.
D748,450 S * 2/2016 Ganter D8/323
D789,766 S * 6/2017 Todd, Jr. D8/323
D802,532 S * 11/2017 Maurer D13/122
D826,689 S * 8/2018 Wei D8/323
2011/0308041 A1 * 12/2011 Le E05D 3/022
16/248

OTHER PUBLICATIONS

Essentra, <https://www.mesanlocks.com/en/categories/hinges/leaf-hinges/16/leaf-hinges.html>, 2016—5 Pages.

Essentra, <http://deeh10136.de.plus.compute.ihost.com/en-us/access-hardware/hinges/leaf-flag-hinges/leaf-flag-free-swinging-hinges>, 2015—3 Pages.

Elesa+Ganter, <https://www.elsa-ganter.com/products/hinges>, 21 Pages.

Ningbo Shengjiu Cabinets Lock Co., Ltd., <http://cabinetslock.com/9-3-butterfly-hinge.html/103333>, 2 Pages.

Taiwanese Office Action for Taiwanese Application No. 106304558, dated Feb. 1, 2018 with translation, 4 pages.

Notice of Reasons for Rejection for Japanese Application No. 2017-017490, dated Mar. 20, 2018, including English translation, 2 pages.

* cited by examiner

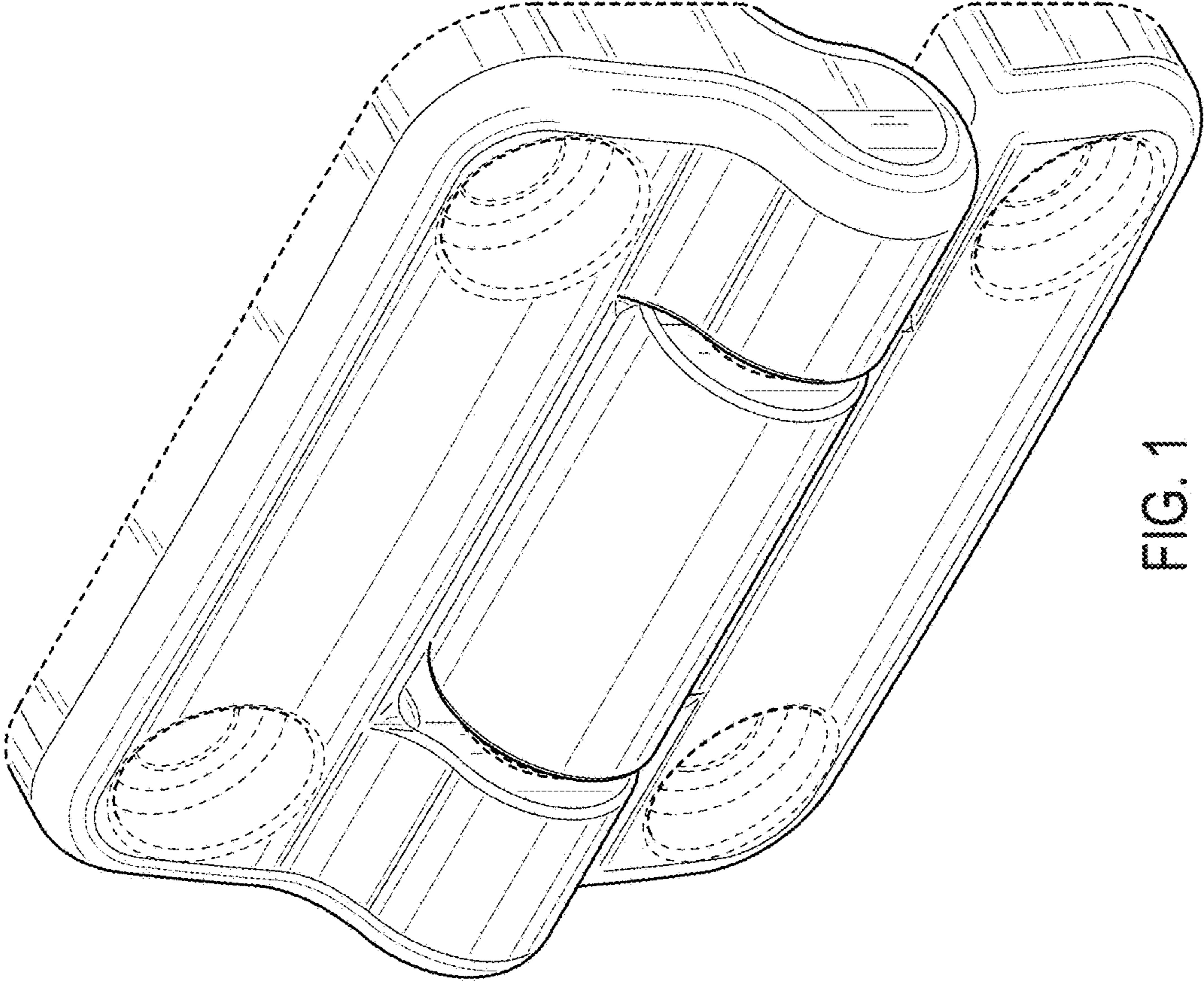


FIG. 1

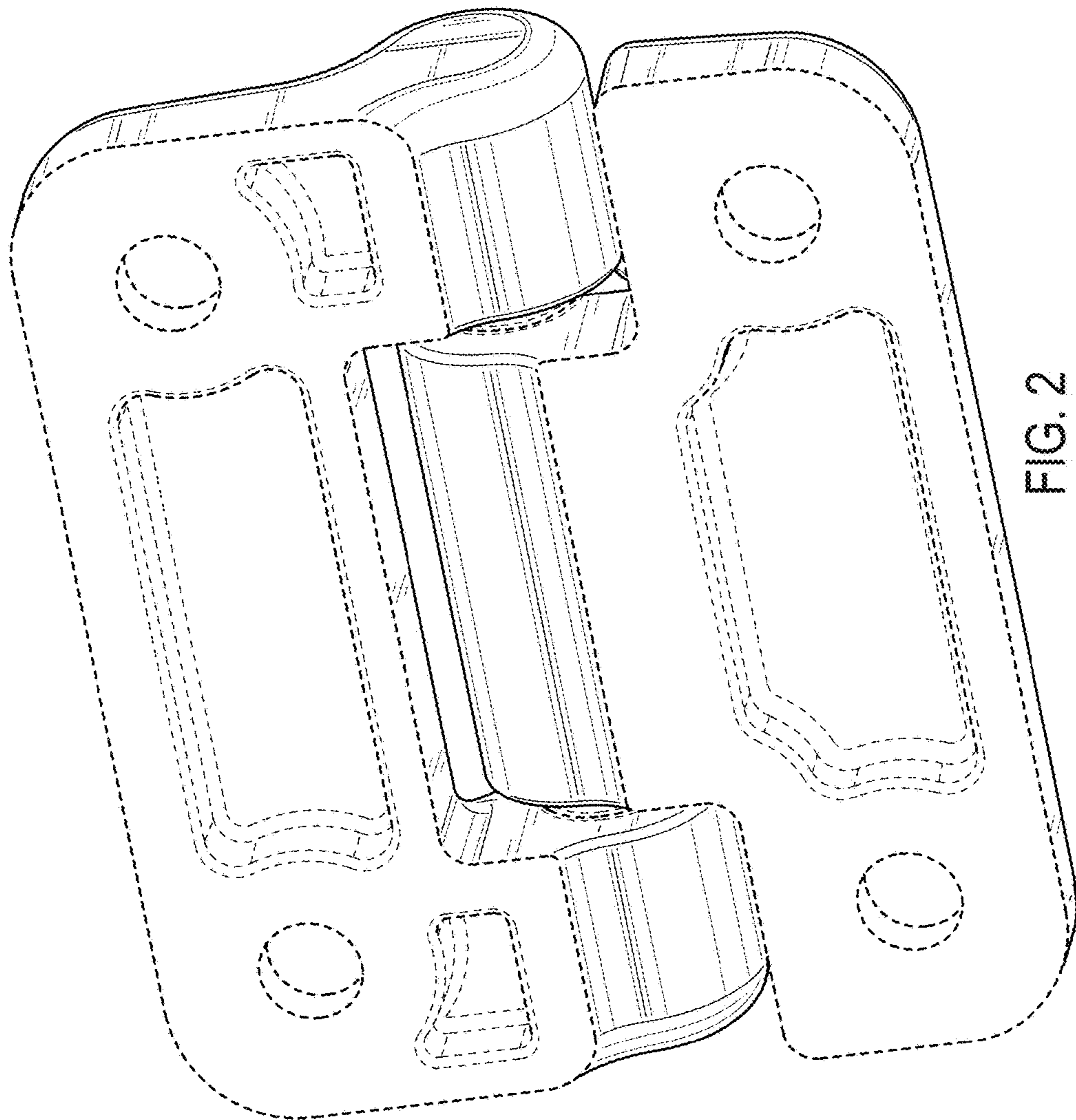


FIG. 2

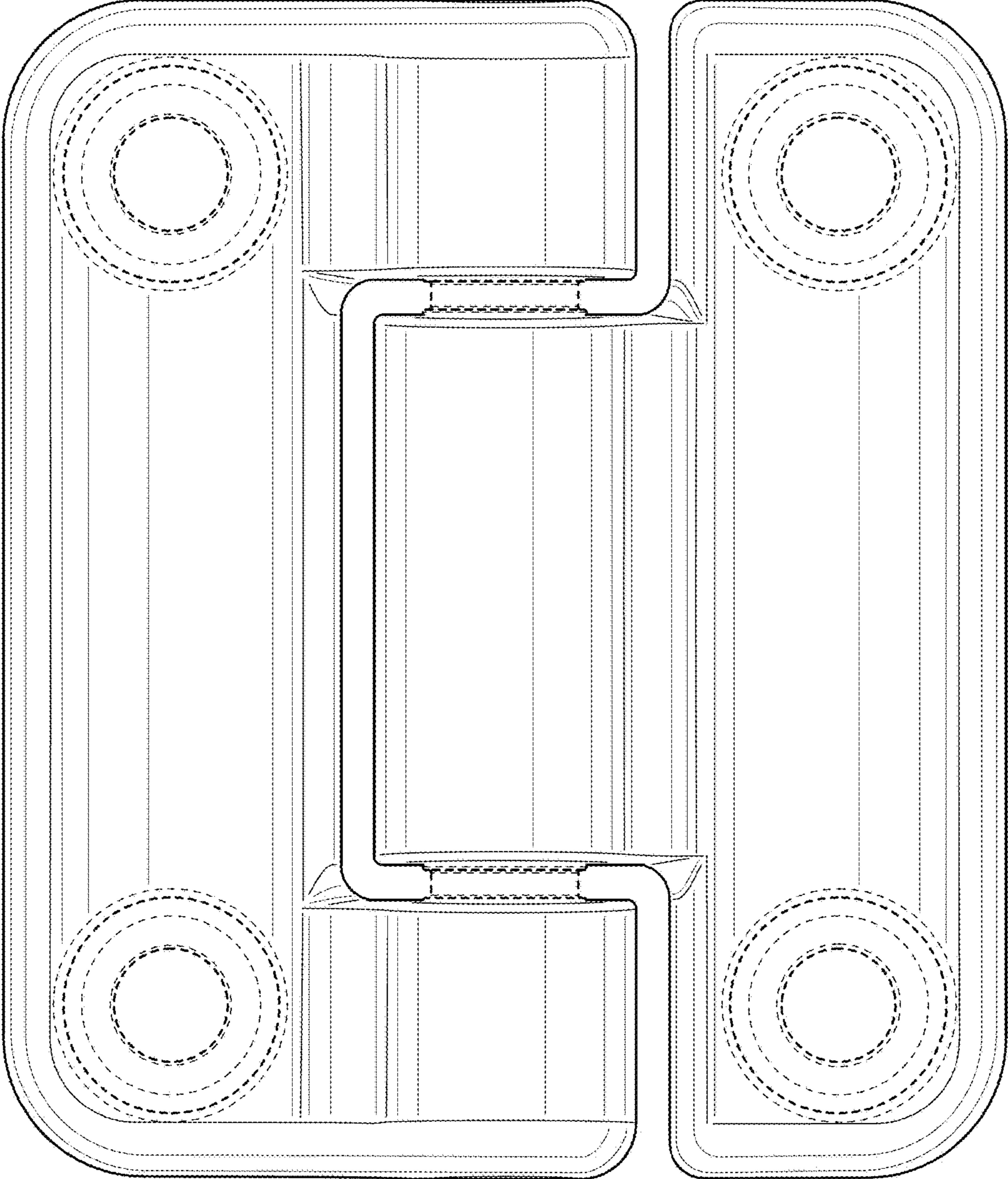


FIG. 3

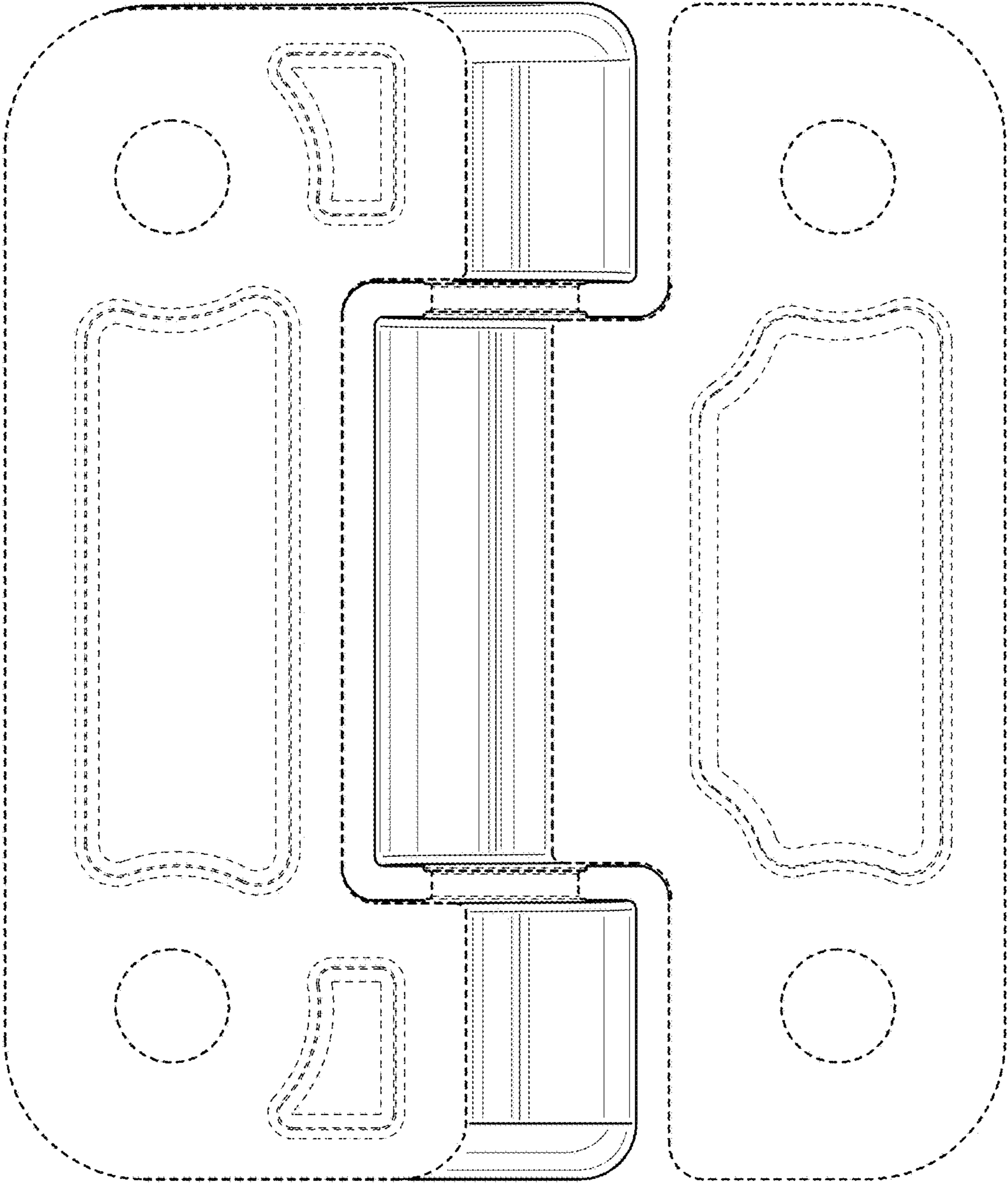


FIG. 4

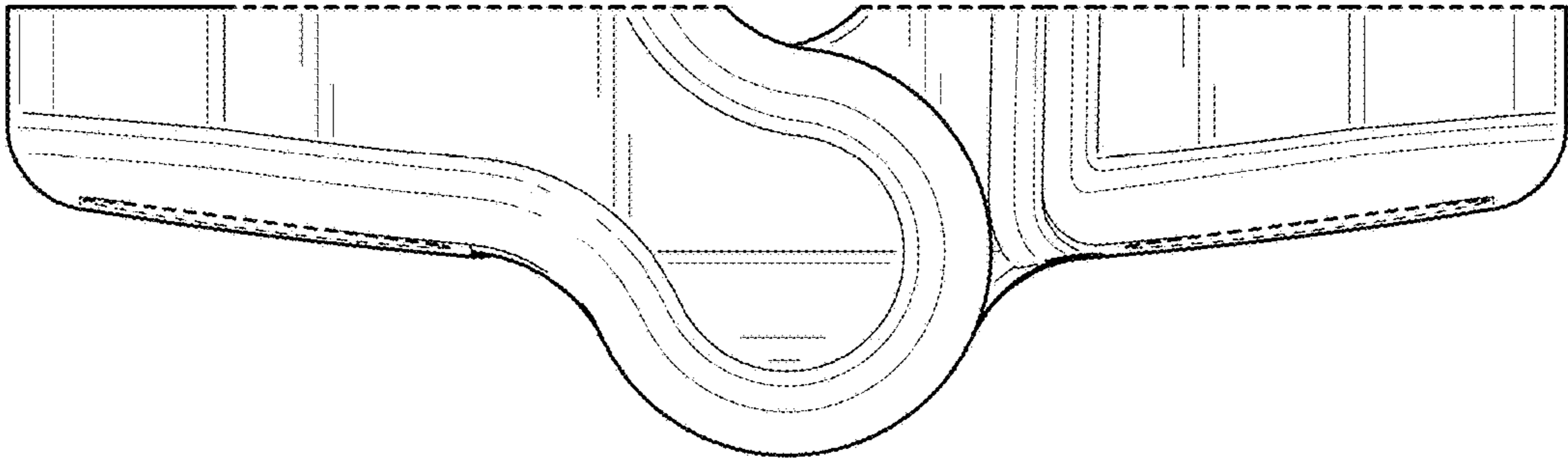


FIG. 5

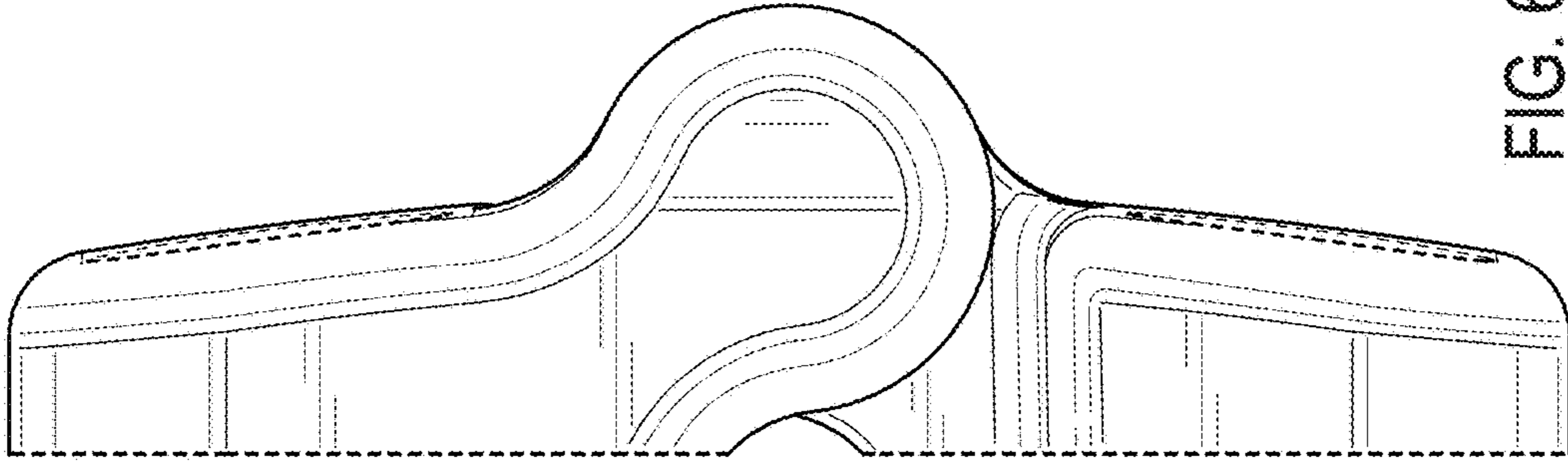


FIG. 6

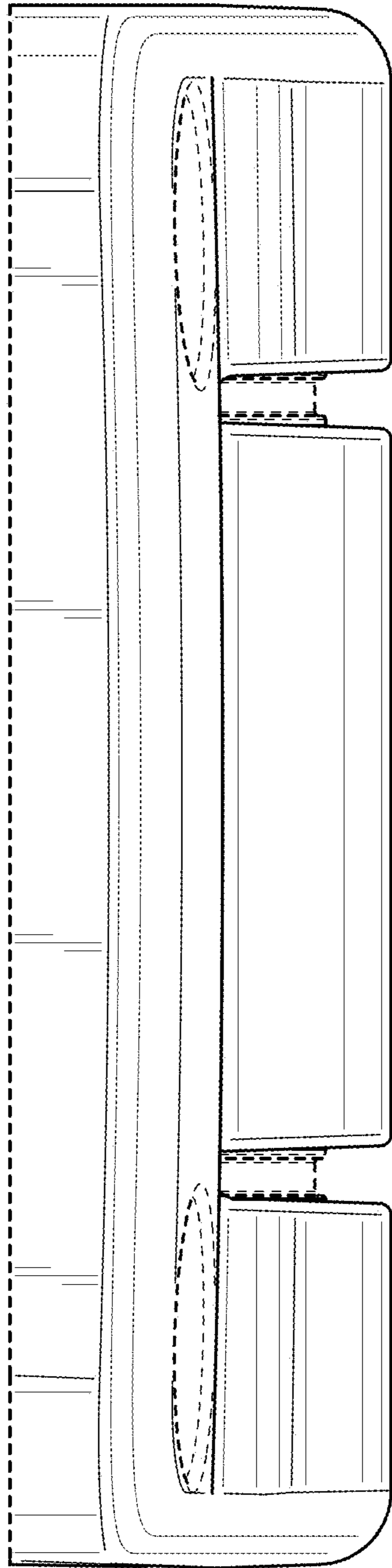


FIG. 7

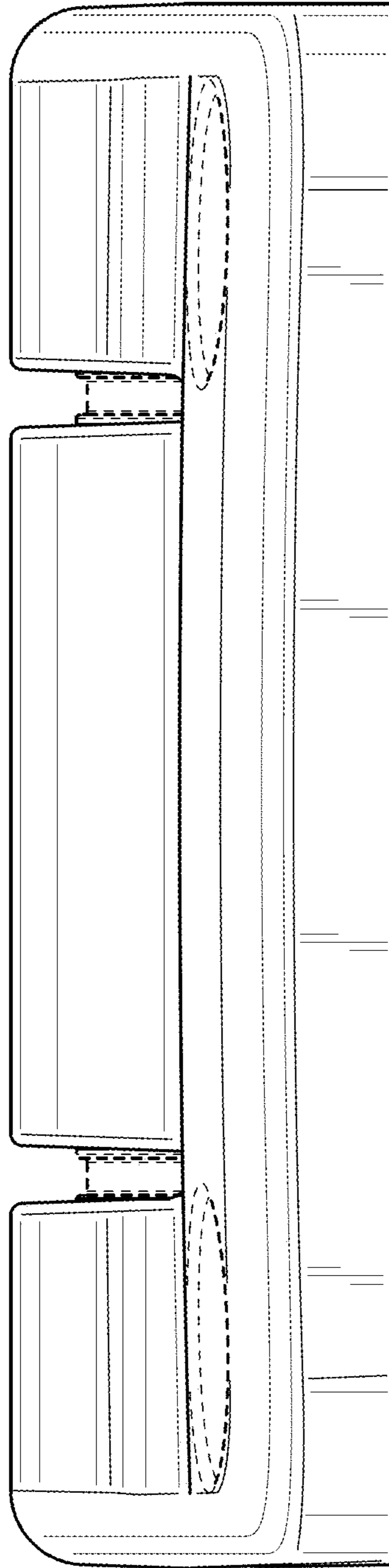


FIG. 8

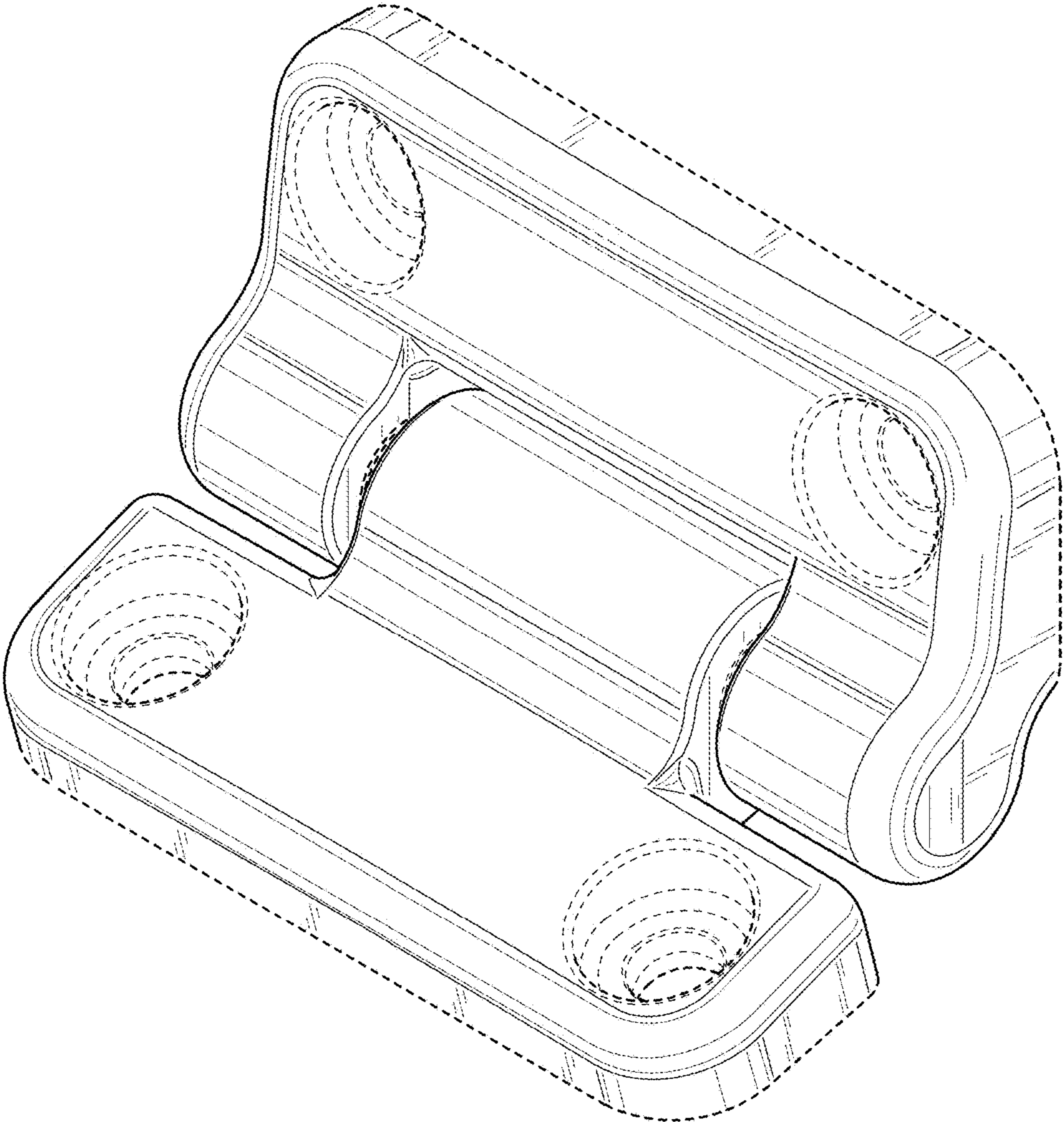


FIG. 9

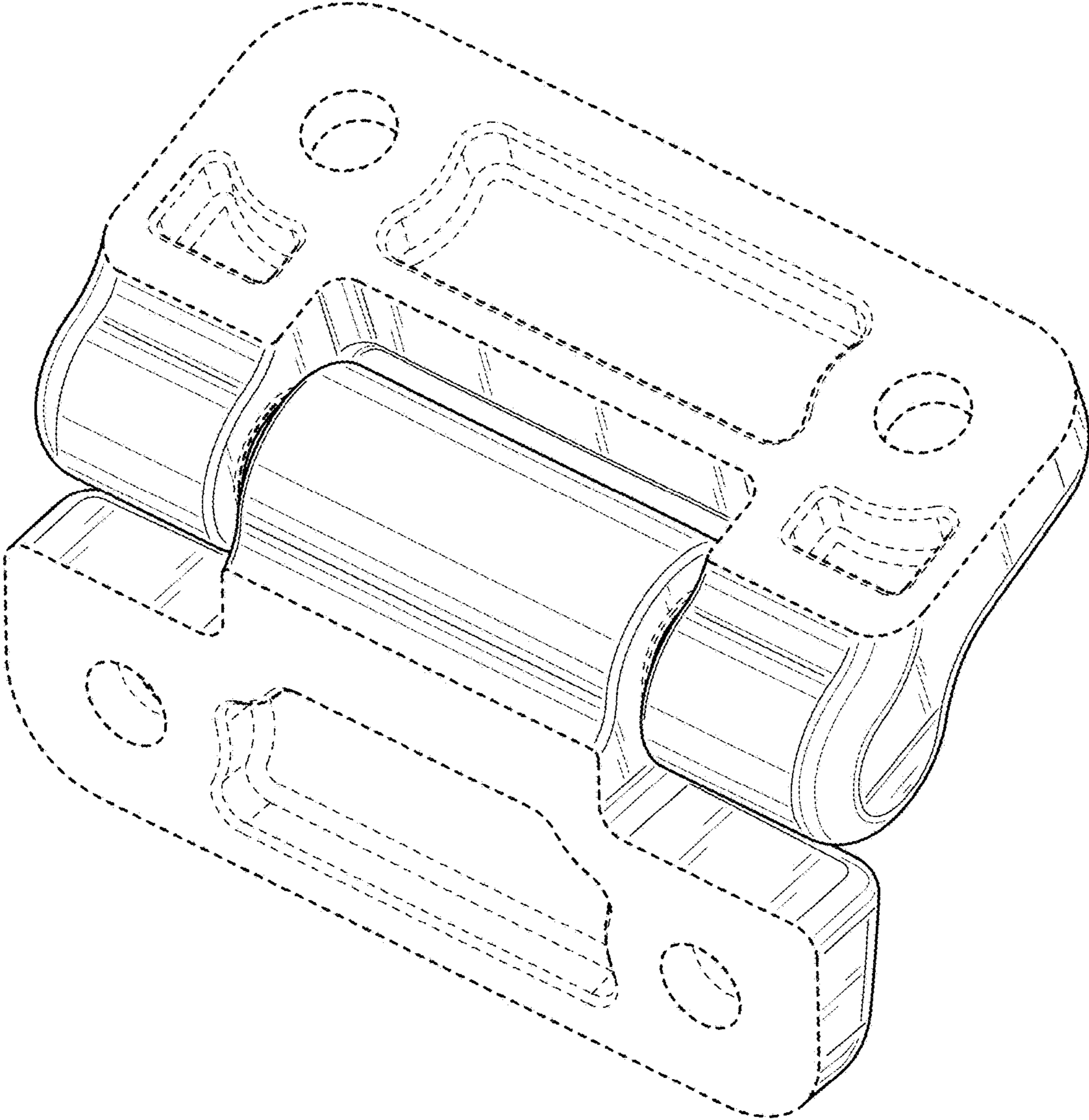


FIG. 10