



US00D842677S

(12) **United States Design Patent**
Spray et al.

(10) **Patent No.:** **US D842,677 S**
(45) **Date of Patent:** **** Mar. 12, 2019**

(54) **HANDLE FOR A COVERING FOR AN ARCHITECTURAL OPENING**

(71) Applicant: **Hunter Douglas Inc.**, Pearl River, NY (US)

(72) Inventors: **Jeffrey L. Spray**, Erie, CO (US); **Fred Bould**, Menlo Park, CA (US); **Kwan Hon Anson Cheung**, San Francisco, CA (US)

(73) Assignee: **HUNTER DOUGLAS INC.**, Pearl River, NY (US)

(**) Term: **15 Years**

(21) Appl. No.: **29/554,911**

(22) Filed: **Feb. 17, 2016**

(51) **LOC (11) Cl.** **08-06**

(52) **U.S. Cl.**
USPC **D8/313**

(58) **Field of Classification Search**
USPC D8/300-302, 306-308, DIG. 10; D23/250, 252

CPC . Y10T 292/57; Y10T 16/44; Y10T 74/20732; Y10T 16/458; Y10T 70/5765; Y10T 70/5155; Y10T 70/5832; Y10T 70/5889; Y10T 16/469; Y10T 70/5757; Y10T 292/03; Y10T 74/20396; Y10T 16/4628; Y10T 74/20864; Y10T 74/2042; Y10T 16/459; Y10T 74/20828; Y10T 292/0971; Y10T 292/0994; Y10T 292/0974; Y10T 74/20582; Y10T 16/509; Y10T 292/108; Y10T 292/1059; Y10T 292/097; Y10T 74/2066; Y10T 292/1015; Y10T 292/0839; Y10T 292/102; Y10T 70/5743; Y10T 292/1022; Y10T 16/462; Y10T 70/5562; Y10T 137/6024; Y10T 292/0949; Y10T 292/1053; Y10T 70/569; Y10T 292/0837; Y10T 292/0932; Y10T 292/1075; Y10T 292/0844; Y10T

292/0806; Y10T 70/7305; Y10T 292/0917; Y10T 70/5389; Y10T 292/0857; Y10T 292/1041; Y10S 292/27; Y10S 16/30; Y10S 292/31; Y10S 292/23; Y10S 292/53; Y10S 292/30; E05B 85/10

See application file for complete search history.

(56) **References Cited**

U.S. PATENT DOCUMENTS

1,892,087 A 12/1932 Stuber
2,624,906 A 1/1953 Foster
2,865,044 A 12/1958 Bielek
3,470,764 A 10/1969 Frymire

(Continued)

FOREIGN PATENT DOCUMENTS

AU 201614398 10/2016
EP 1353037 A2 10/2003

Primary Examiner — Lauren R Calve

(74) *Attorney, Agent, or Firm* — Leason Ellis LLP

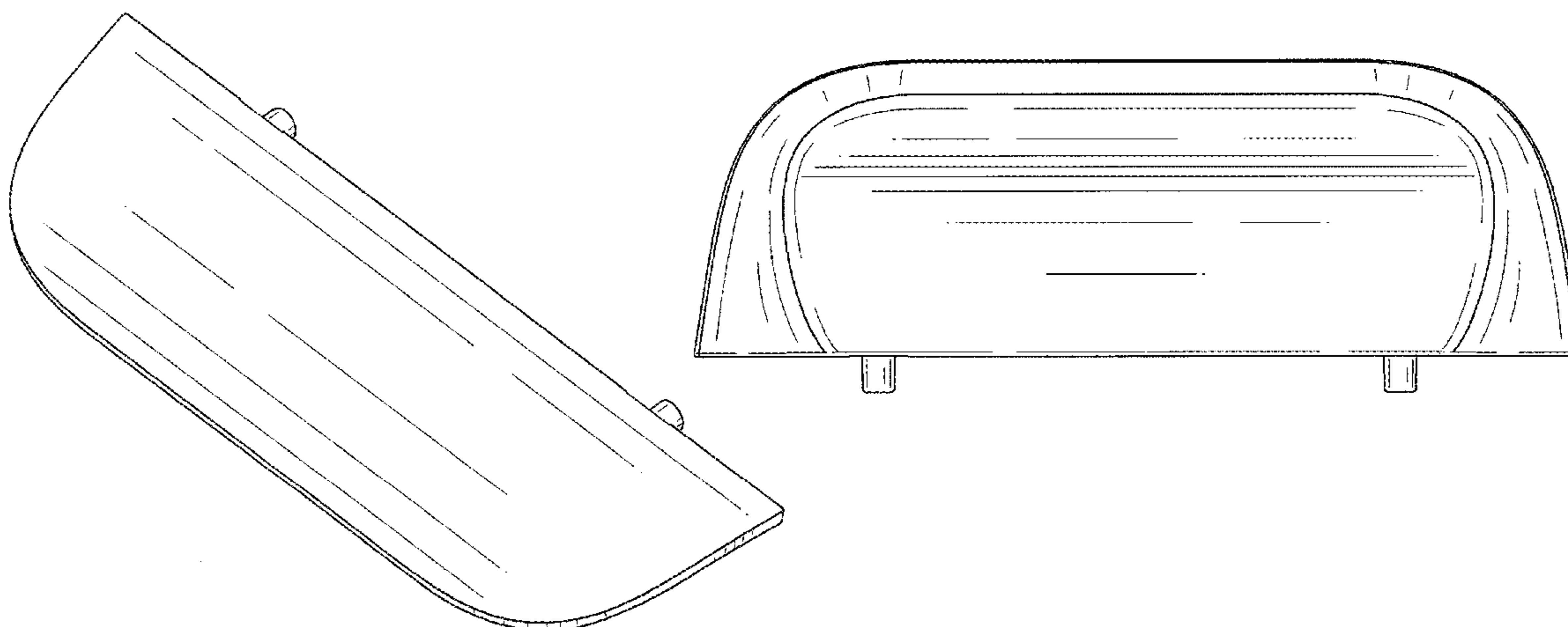
(57) **CLAIM**

We claim the ornamental design for a handle for a covering for an architectural opening, as shown and described.

DESCRIPTION

FIG. 1 is an isometric view of a handle for a covering for an architectural opening in accordance with the present design. FIG. 2 is a front elevation view thereof. FIG. 3 is a rear elevation view thereof. FIG. 4 is a right side elevation view thereof. FIG. 5 is a left side elevation view thereof. FIG. 6 is a top plan view thereof; and, FIG. 7 is a bottom plan view thereof. The dash-dash broken lines illustrate features of the handle for a covering for an architectural opening that form no part of the claimed design.

1 Claim, 5 Drawing Sheets



(56)

References Cited

U.S. PATENT DOCUMENTS

3,581,798 A 1/1971 Malamed
 3,692,155 A 9/1972 Laurita
 4,687,041 A 8/1987 Anderson
 4,831,678 A 5/1989 Dietsche
 4,884,615 A 12/1989 Hsu
 4,911,348 A 3/1990 Rasor et al.
 5,265,307 A 11/1993 Hull et al.
 5,937,929 A 8/1999 Chen
 6,536,503 B1 3/2003 Anderson et al.
 6,598,913 B2* 7/2003 Meinke E05B 85/107
 292/336.3
 7,175,377 B2 2/2007 Womack
 7,389,565 B2 6/2008 Cheng
 D572,997 S * 7/2008 Gulley D8/302
 D584,128 S * 1/2009 Ricereto D8/313
 D589,325 S * 3/2009 Mattson D8/313
 D597,394 S * 8/2009 Menzies D8/313
 D616,721 S * 6/2010 Glass D8/313
 7,802,608 B2 9/2010 Anderson et al.
 D627,620 S * 11/2010 Jou D8/313
 D628,802 S * 12/2010 Kraemer D3/318

D647,777 S 11/2011 Franssen
 D651,221 S * 12/2011 Voron D15/89
 D681,374 S * 5/2013 Gasser D6/716
 D758,759 S * 6/2016 Anderson D6/580
 D761,189 S * 7/2016 Fulford D12/345
 2002/0157796 A1 10/2002 Judkins
 2002/0174961 A1 11/2002 Anderson et al.
 2004/0131439 A1 7/2004 Womack et al.
 2007/0084567 A1 4/2007 Chen
 2008/0115894 A1 5/2008 Cech et al.
 2009/0106942 A1 4/2009 Dell'Orfano
 2012/0068482 A1* 3/2012 Takada E05C 1/145
 292/336.3
 2012/0097349 A1 4/2012 Chen
 2012/0227912 A1 9/2012 Anderson et al.
 2012/0267056 A1 10/2012 Ko
 2014/0076504 A1 3/2014 Anthony et al.
 2014/0216666 A1 8/2014 Smith et al.
 2015/0013921 A1 1/2015 Franssen
 2015/0020982 A1 1/2015 Anderson et al.
 2015/0034262 A1 2/2015 Franssen
 2015/0197984 A1 7/2015 Anderson et al.
 2015/0259978 A1 9/2015 Lin et al.
 2016/0010389 A1 1/2016 Anderson et al.

* cited by examiner

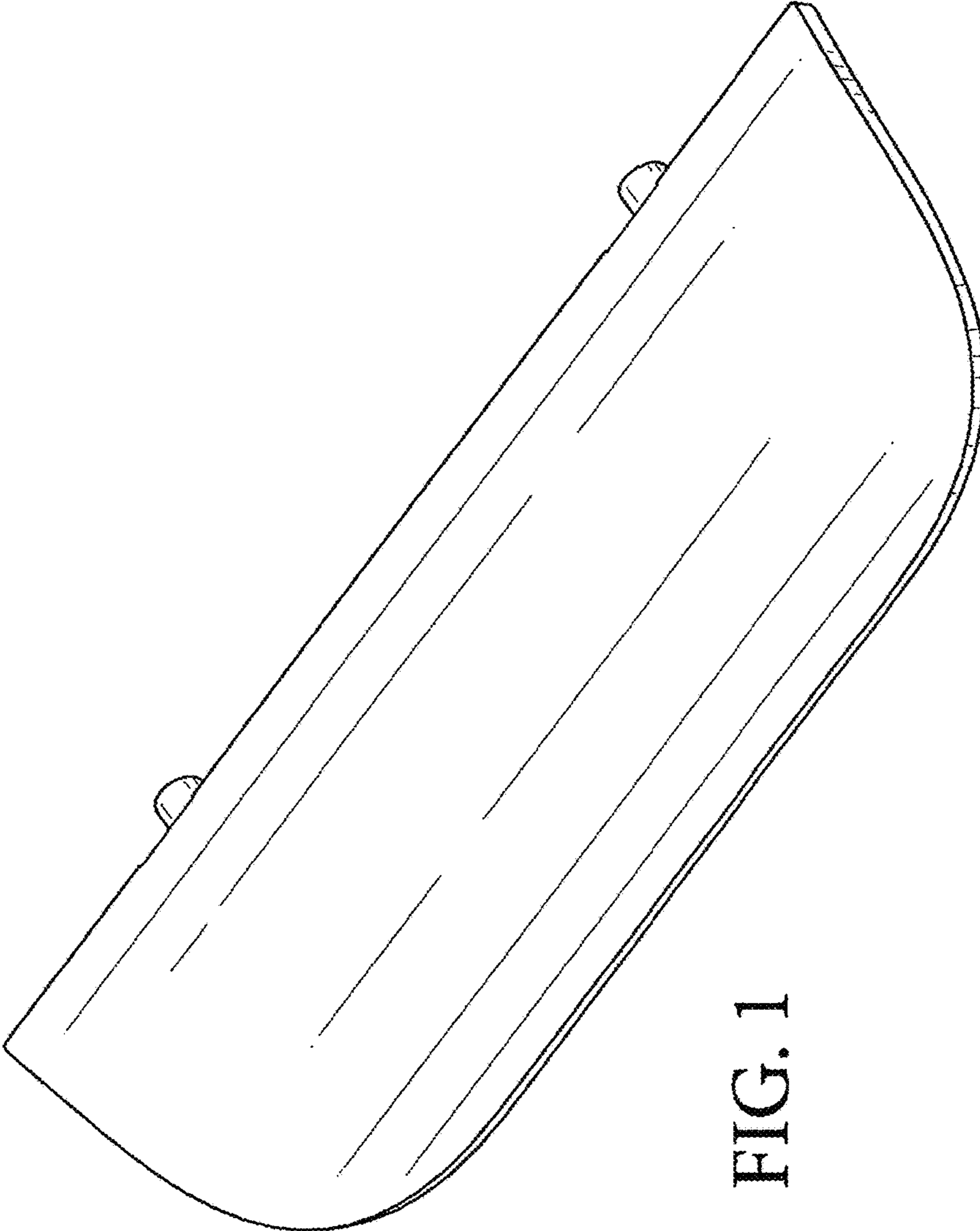


FIG. 1

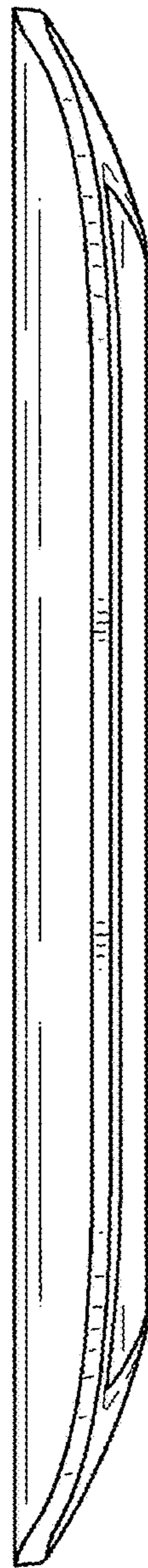


FIG. 2



FIG. 3

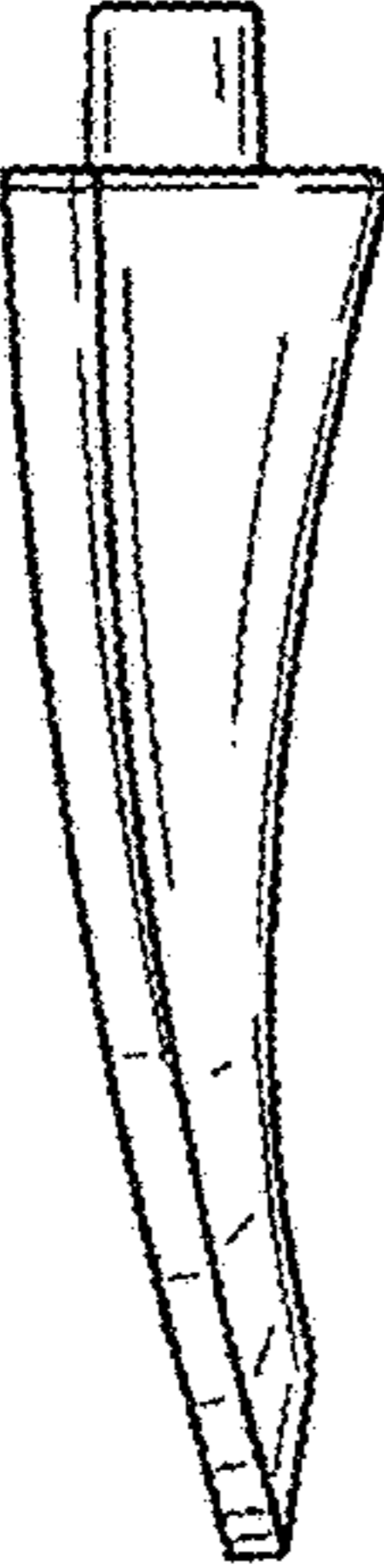


FIG. 4

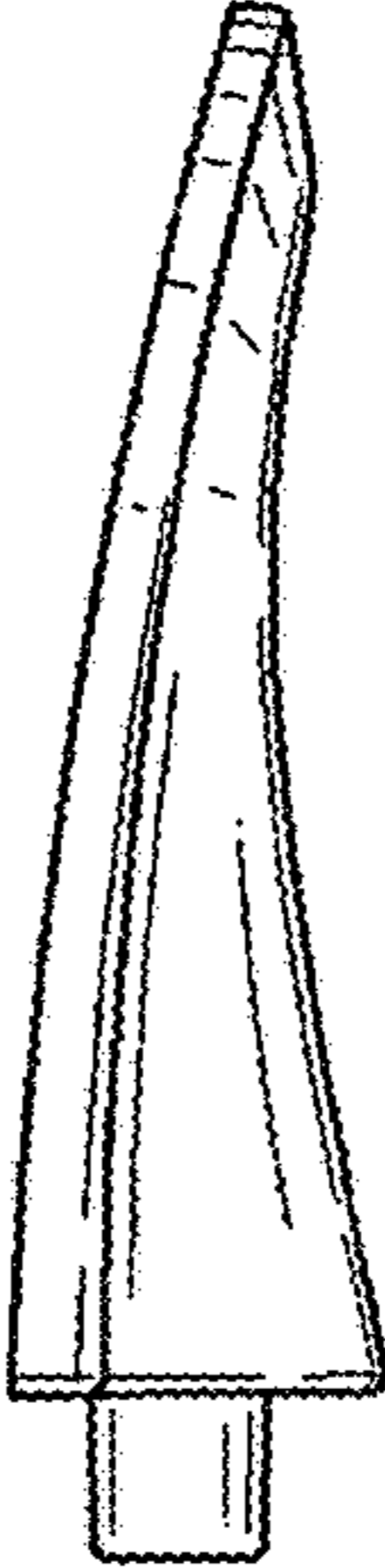


FIG. 5

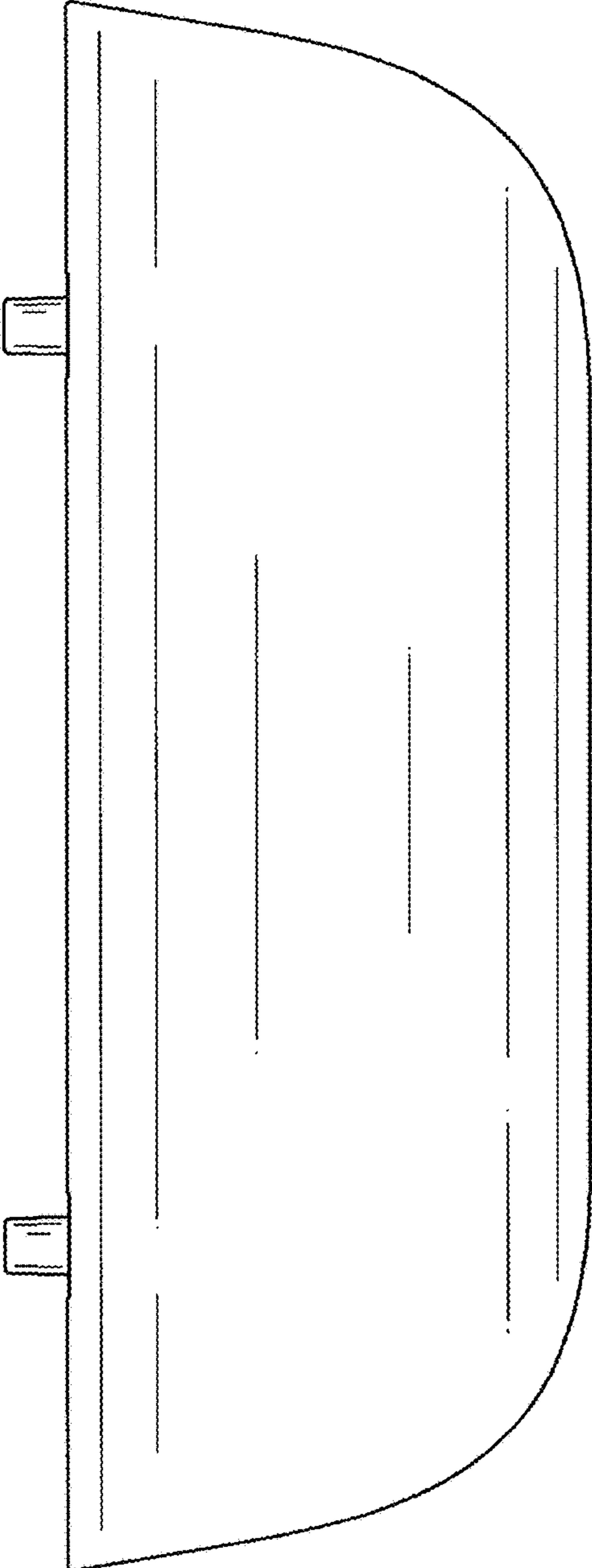


FIG. 6

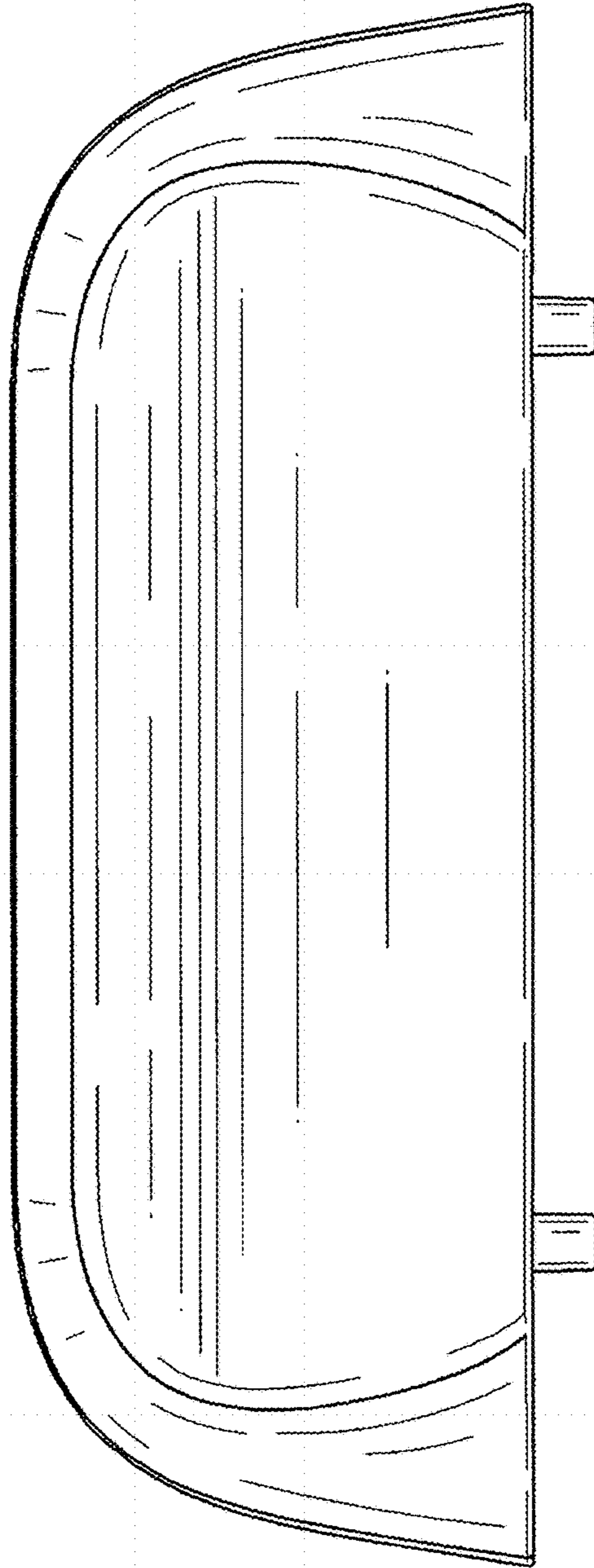


FIG. 7