



US00D842674S

(12) **United States Design Patent**
Lazenby et al.

(10) **Patent No.:** **US D842,674 S**
(45) **Date of Patent:** **** Mar. 12, 2019**

- (54) **POCKET KNIFE CLIP**
- (71) Applicant: **LEATHERMAN TOOL GROUP, INC.**, Portland, OR (US)
- (72) Inventors: **Adam Lazenby**, Lake Oswego, OR (US); **Matthew Raymond Brown**, Portland, OR (US)
- (73) Assignee: **LEATHERMAN TOOL GROUP, INC.**, Portland, OR (US)
- (**) Term: **15 Years**
- (21) Appl. No.: **29/599,389**
- (22) Filed: **Apr. 3, 2017**
- (51) **LOC (11) Cl.** **08-03**
- (52) **U.S. Cl.**
USPC **D8/99**; D8/18
- (58) **Field of Classification Search**
USPC D8/18, 98, 99, 105, 40, 43
CPC B26B 5/001; B26B 5/003; B26B 11/00;
B26B 1/02; B26B 1/04; B26B 1/042;
B26B 1/044; B26B 1/046; B67B 7/44
See application file for complete search history.

(56) **References Cited**

U.S. PATENT DOCUMENTS

D144,839 S *	5/1946	Coles	D11/78.1
D366,408 S *	1/1996	Sessions	D8/99
D402,177 S *	12/1998	Glesser	D8/99
D438,443 S *	3/2001	Keating	D8/99
D442,841 S *	5/2001	Balolia	D8/99
D487,628 S *	3/2004	Mathews	D3/215
D494,437 S *	8/2004	Scarla	D8/99
6,851,147 B2 *	2/2005	Abrahall	B67B 7/44
				7/151
D517,892 S *	3/2006	Galyean	D8/17
D565,918 S *	4/2008	Onion	D8/99
D575,614 S *	8/2008	Galyean	D8/99
D583,643 S *	12/2008	Ping	D8/99

D588,433 S *	3/2009	van Deursen	D8/99
D593,838 S *	6/2009	Williams	D8/99
D634,174 S *	3/2011	Ryan	D8/99
D653,520 S *	2/2012	Chang	D8/99

OTHER PUBLICATIONS

1Pcs Multi-function Belt Money Key Chain Stainless Steel EDC Tool Clip Keychain bottle opener cord wrapper pocket clip outdoor-in Outdoor Tools from . . . [online] [retrieved Jan. 5, 2017]. Retrieved from the Internet: <URL: <https://www.aliexpress.com/item/Brief-Designer-5-in-1-Stainless-Steel-Multifunction-Tool-Key-Chain-Clip-Bottle-Opener/32441083832.html?spm=2114.40010308.4.28.QgfX6h>>. 3 pages.

Pickpocket Alpha—Titanium Bottle Opener/Pocketclip [online] [retrieved Jan. 5, 2017]. Retrieved from the Internet: <URL: <https://www.pangea-designs.com/ProductDetails.asp?ProductCode=PP-alpha>>. 2 pages.

* cited by examiner

Primary Examiner — Philip S Hyder

(74) *Attorney, Agent, or Firm* — Alston & Bird LLP

(57) **CLAIM**

The ornamental design for a pocket knife clip, as shown and described.

DESCRIPTION

FIG. 1 is a perspective view of a pocket knife clip according to our new design;

FIG. 2 is another perspective view of thereof;

FIG. 3 is a left side elevation view thereof;

FIG. 4 is a right side elevation view thereof;

FIG. 5 is a front elevation view thereof;

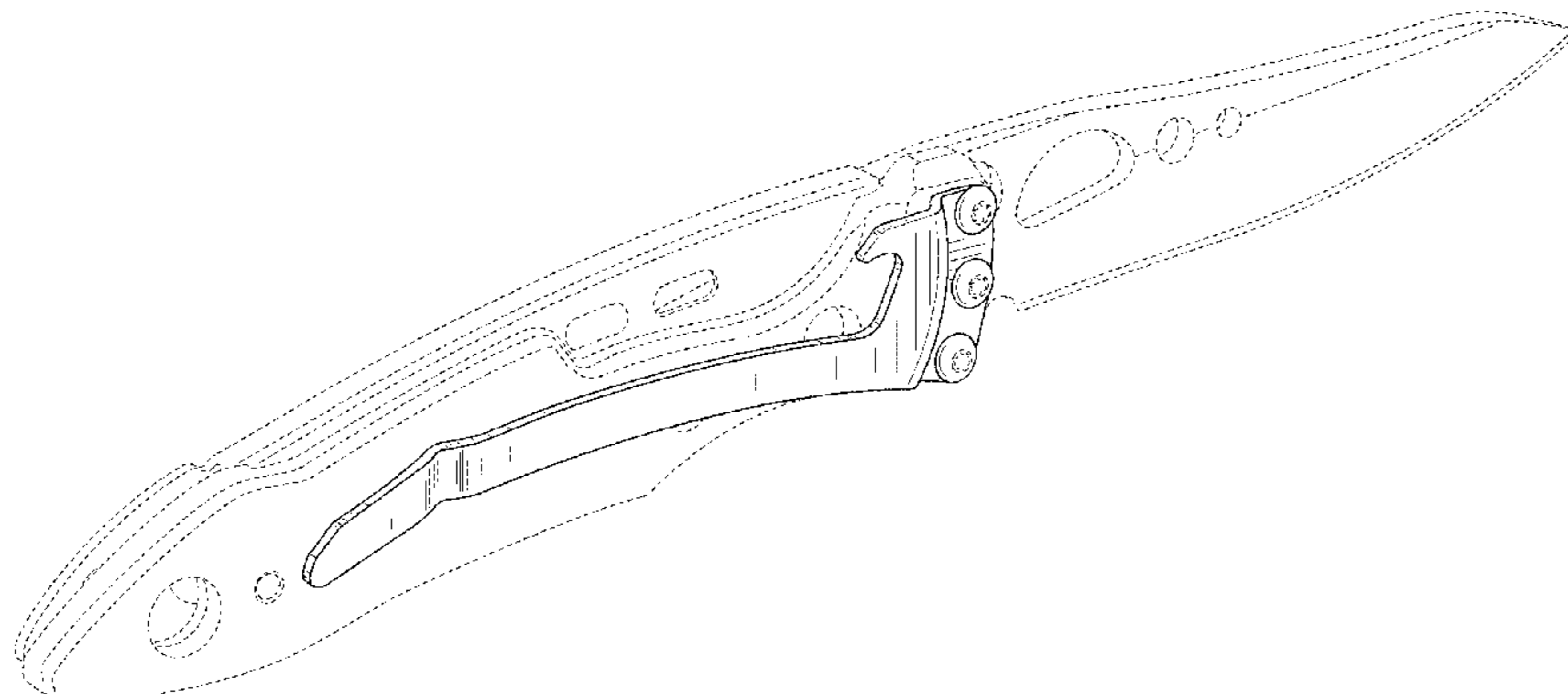
FIG. 6 is a rear elevation view thereof;

FIG. 7 is a top elevation view thereof; and,

FIG. 8 is a bottom plan view thereof.

The dash-dash broken lines showing in the views illustrate unclaimed portions of the pocket knife clip and form no part of the claimed design.

1 Claim, 5 Drawing Sheets



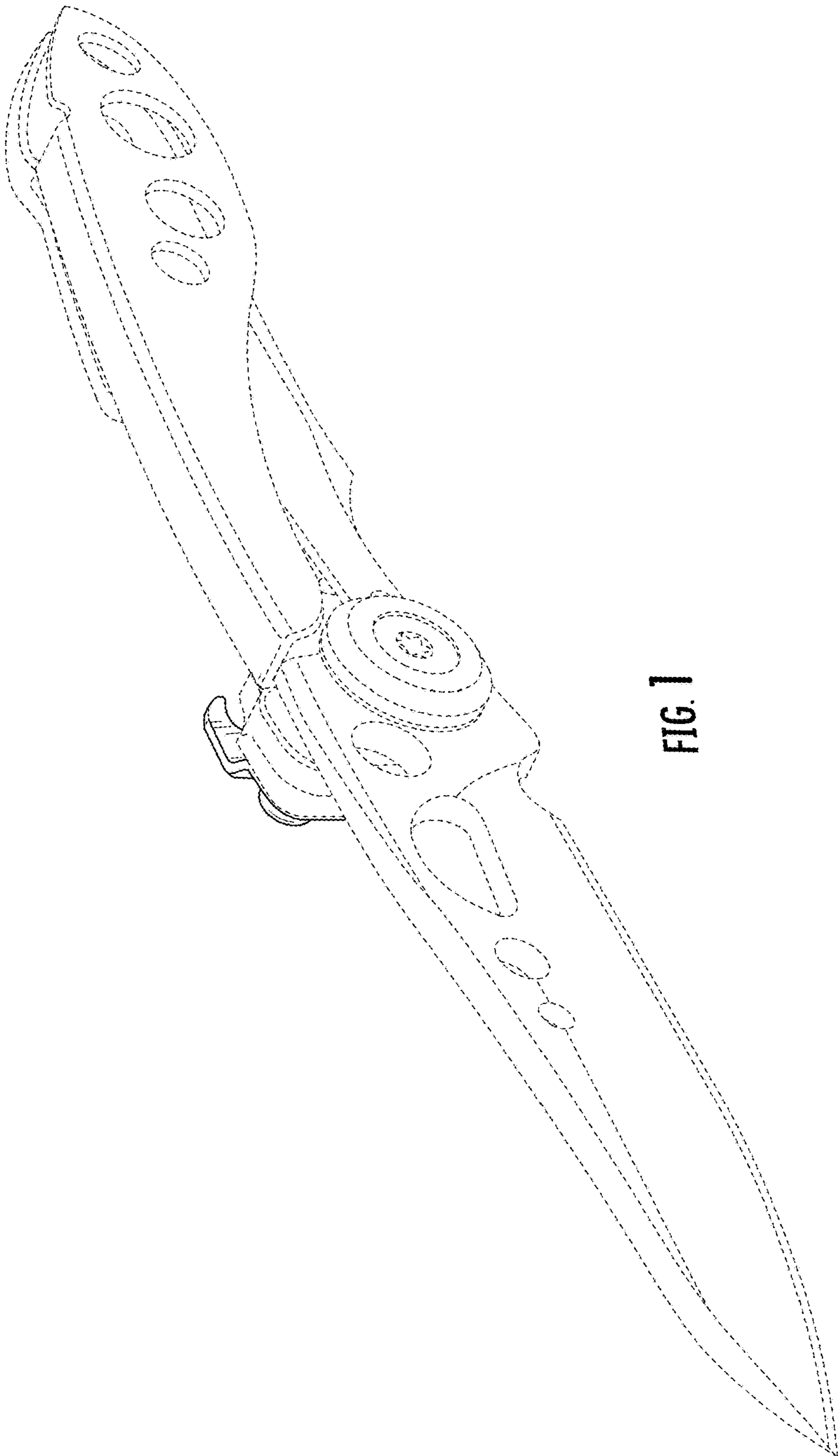


FIG. 1

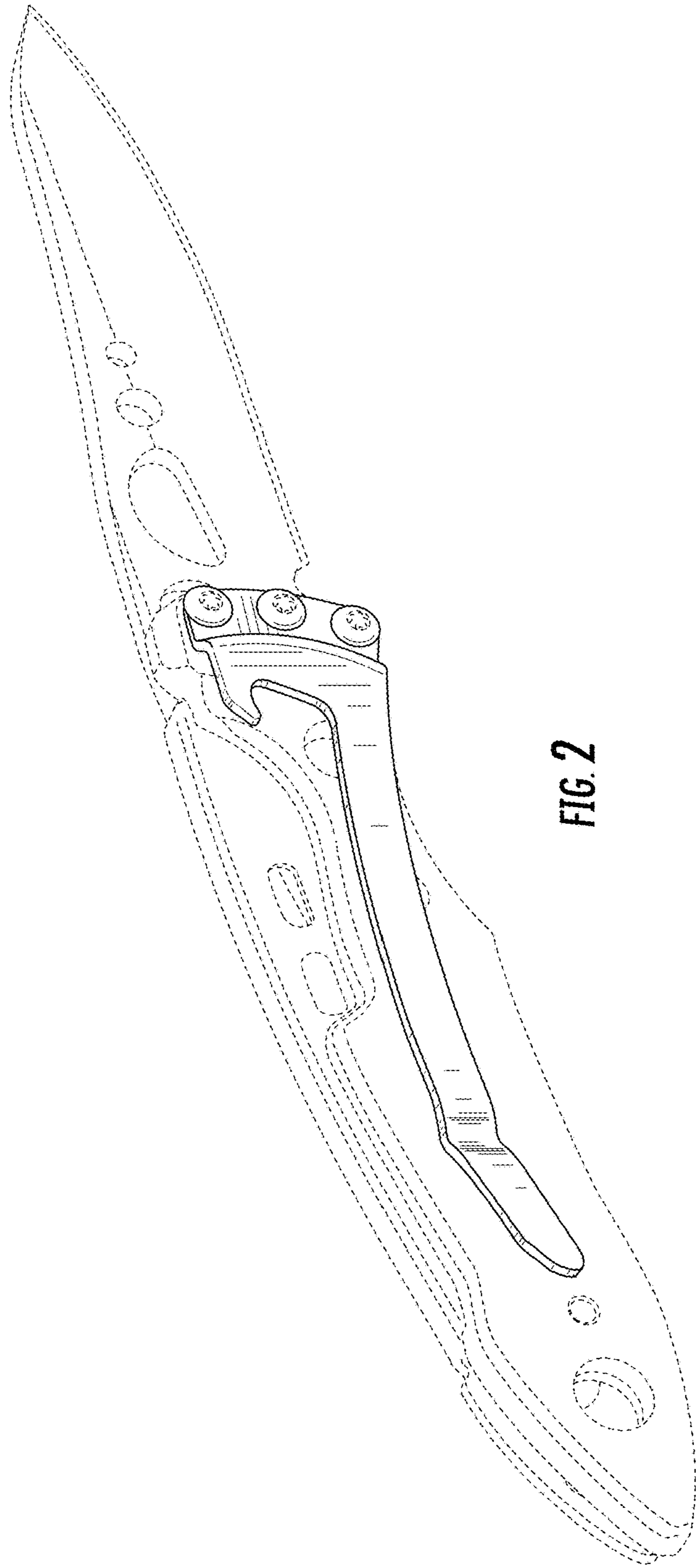


FIG. 2

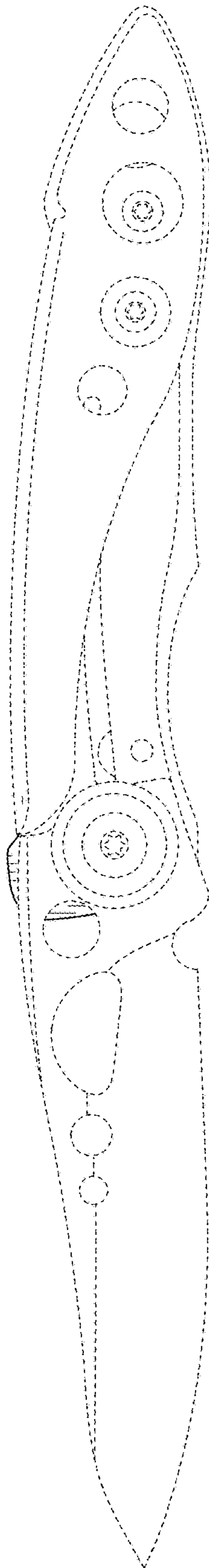


FIG. 3

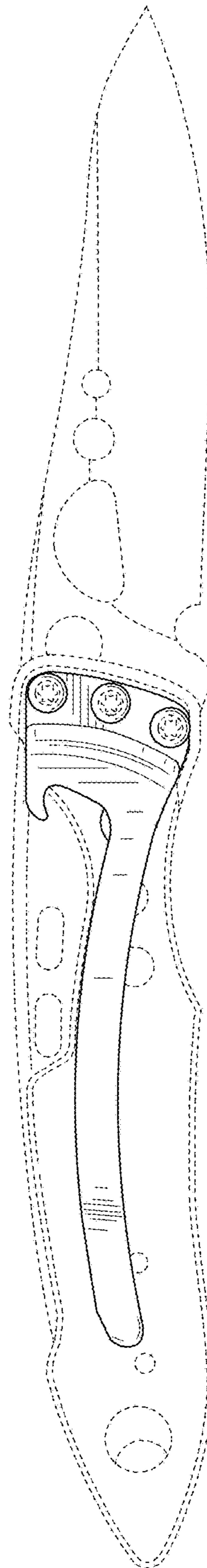


FIG. 4

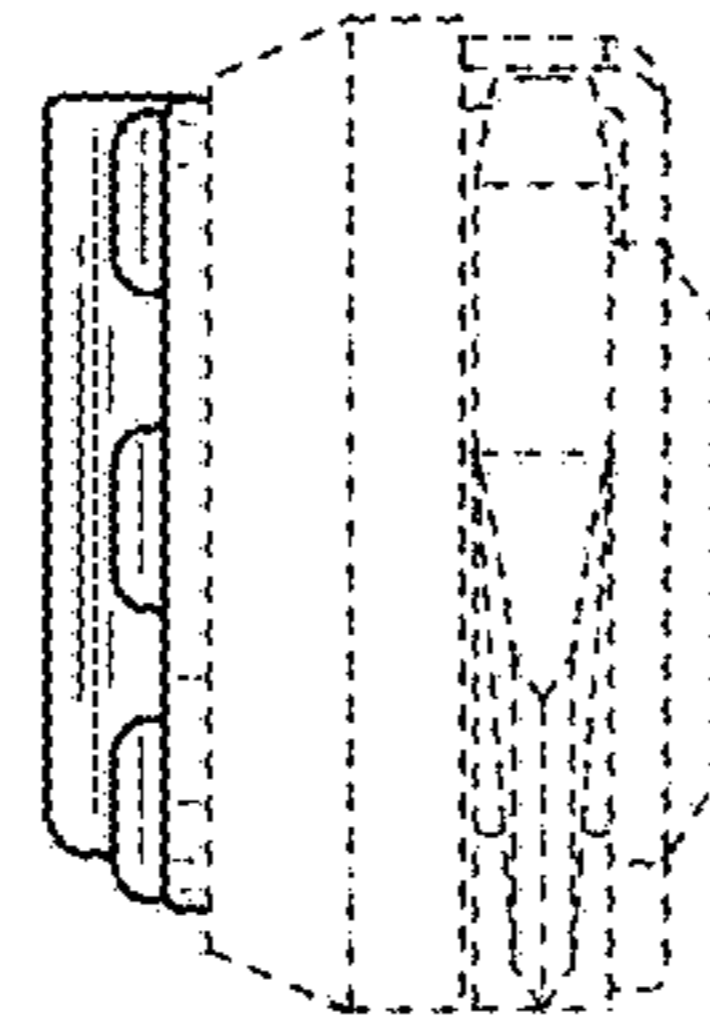


FIG. 5

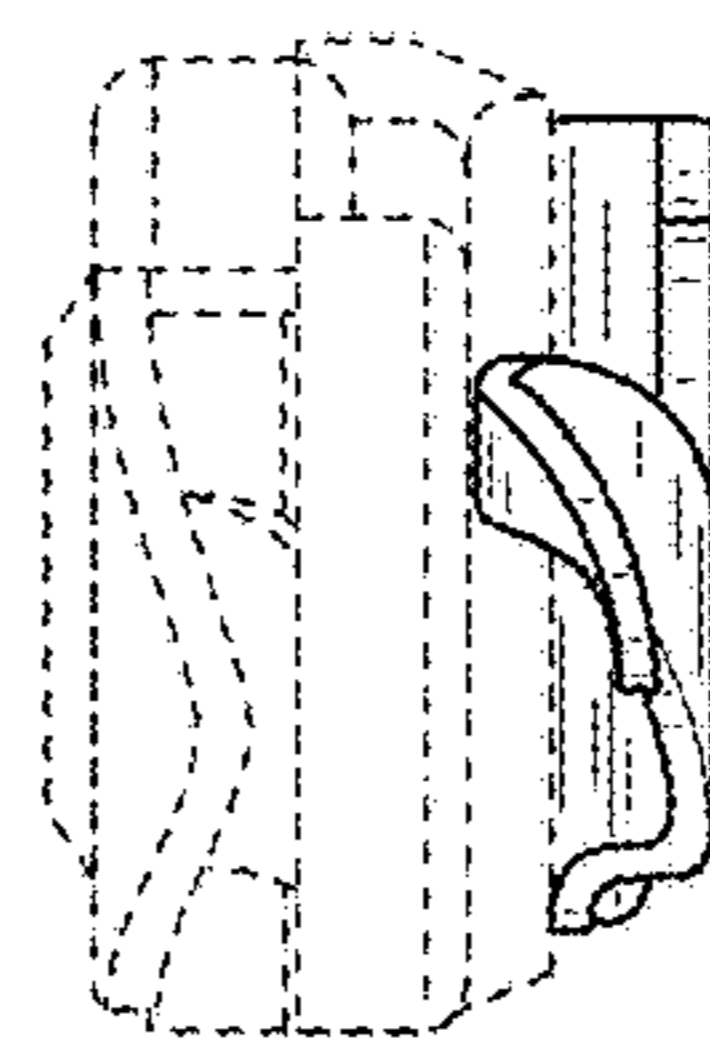


FIG. 6

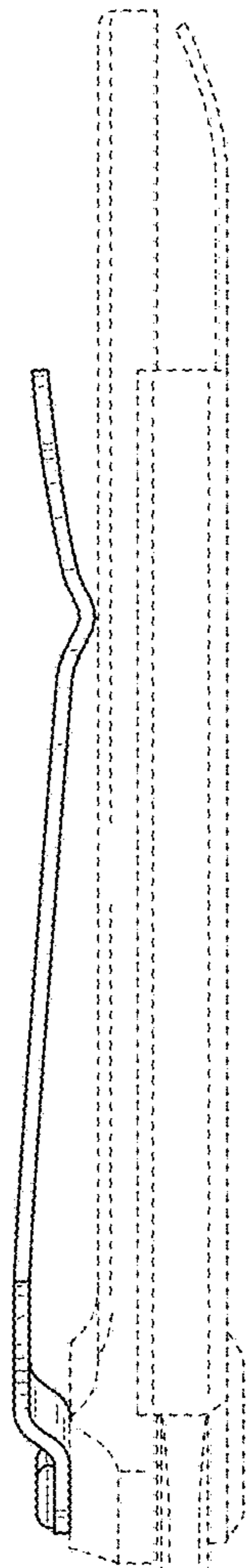


FIG. 7

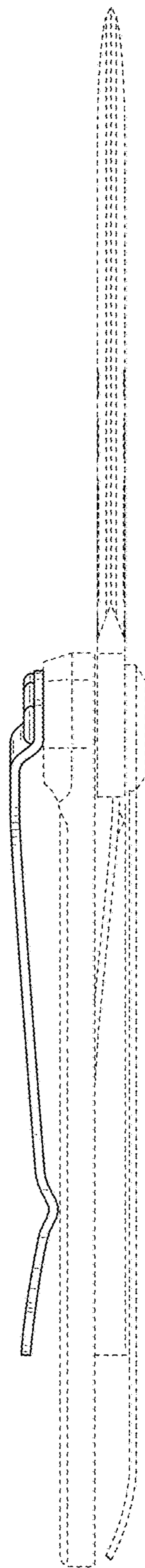


FIG. 8