



US00D842671S

(12) **United States Design Patent**
Baiz et al.

(10) **Patent No.:** **US D842,671 S**

(45) **Date of Patent:** **** *Mar. 12, 2019**

(54) **LUG NUT**

(71) Applicants: **Enrique J. Baiz**, Davie, FL (US);
Oswaldo Izquierdo, Homestead, FL
(US)

(72) Inventors: **Enrique J. Baiz**, Davie, FL (US);
Oswaldo Izquierdo, Homestead, FL
(US)

(*) Notice: This patent is subject to a terminal disclaimer.

(**) Term: **15 Years**

(21) Appl. No.: **29/610,797**

(22) Filed: **Jul. 14, 2017**

Related U.S. Application Data

(63) Continuation-in-part of application No. 29/577,164, filed on Sep. 9, 2016, now Pat. No. Des. 792,205.

(51) **LOC (11) Cl.** **08-08**

(52) **U.S. Cl.**
USPC **D8/39**

(58) **Field of Classification Search**
USPC D8/399, 382, 397, 331, 394, 349, 387;
411/140, 1, 508, 418; 72/267; 292/327;
248/318; 29/434; D12/162; 24/595.1
See application file for complete search history.

(56) **References Cited**

U.S. PATENT DOCUMENTS

- 1,115,307 A * 10/1914 Guffee F16B 41/002
29/235
- 2,630,805 A * 3/1953 Brehm A61M 3/0279
604/104
- 2,670,737 A * 3/1954 Cantor A61F 11/08
128/864

- 3,222,976 A * 12/1965 Holman F16B 23/0061
301/35.623
- D225,970 S * 1/1973 O'Donnell D8/387
- 4,314,553 A * 2/1982 Westerdal A61F 11/08
128/201.18
- 4,333,660 A * 6/1982 Cupit E04D 13/1476
277/630
- D268,565 S * 4/1983 Mortus D8/397
- D273,614 S * 4/1984 Rolla D24/106
- D335,852 S * 5/1993 Carles D12/160
- D381,897 S * 8/1997 Matthiesen D22/116
- D408,526 S * 4/1999 Westerdal D24/106
- D427,511 S * 7/2000 Weld D8/397
- 6,155,987 A * 12/2000 Scherl A61F 11/006
128/898
- 6,361,258 B1 * 3/2002 Heesch F16B 23/0084
411/178

(Continued)

Primary Examiner — Cynthia R Underwood
(74) *Attorney, Agent, or Firm* — Quickpatents, LLC;
Kevin Prince

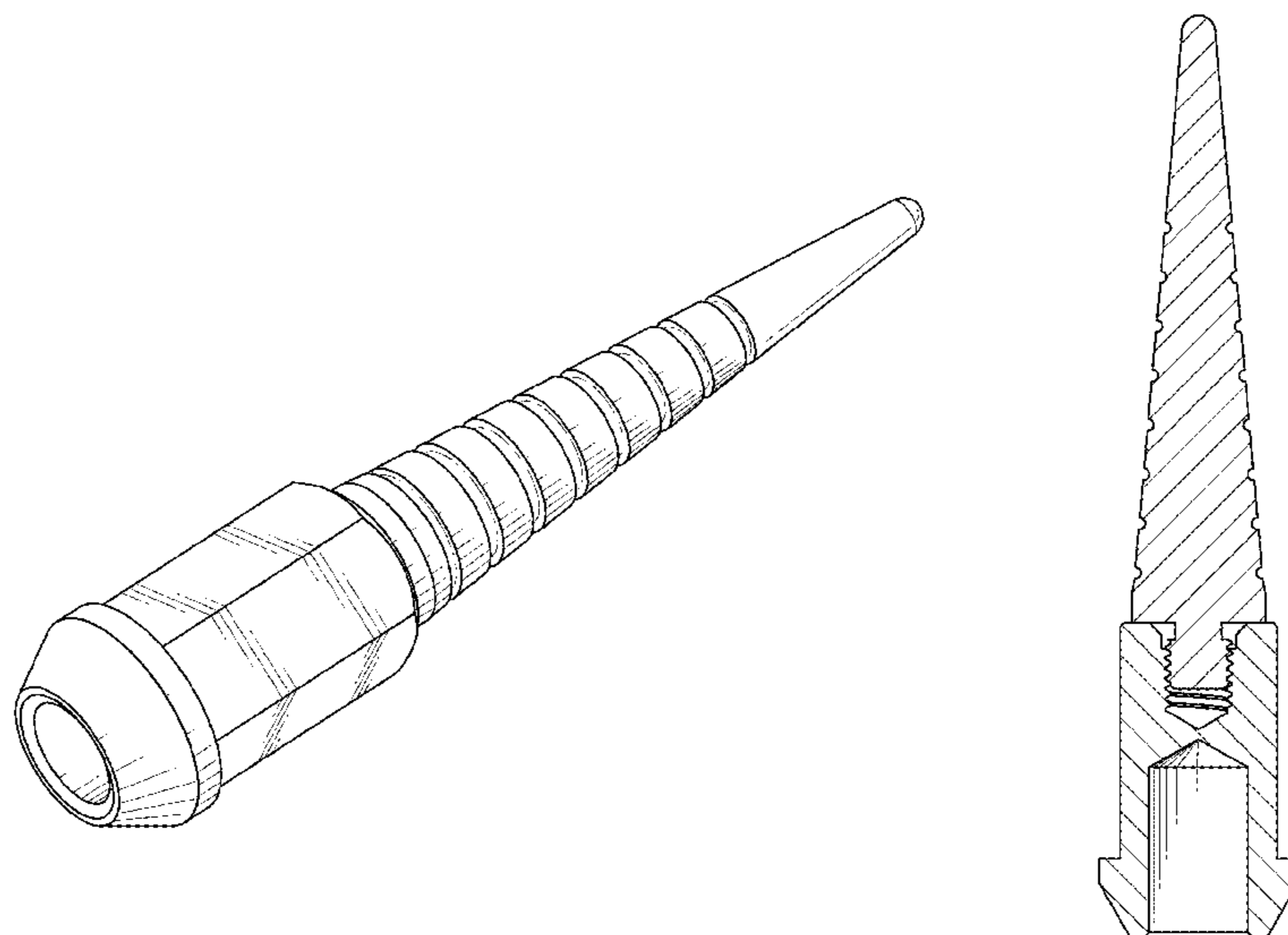
(57) **CLAIM**

We claim the ornamental design for a lug nut, as shown and described.

DESCRIPTION

FIG. 1 is a bottom perspective view of a lug nut, showing our new design;
FIG. 2 is a front elevational view thereof, the rear elevational view, right-side elevational view, and left-side elevational view all being identical thereto;
FIG. 3 is a front elevational view thereof, the rear elevational view being a mirror image thereof;
FIG. 4 is a left-side elevational view thereof, the right-side elevational view being a mirror image thereof;
FIG. 5 is a top plan view thereof;
FIG. 6 is a bottom plan view thereof; and,
FIG. 7 is a cross-sectional view thereof, taken along lines 7-7 of FIG. 5.

1 Claim, 3 Drawing Sheets



(56)

References Cited

U.S. PATENT DOCUMENTS

6,387,129 B2 *	5/2002	Rieser	A61B 17/8615	9,206,832 B1 *	12/2015	Maddux	F16B 37/14
				606/318	D765,855 S *	9/2016	Ben-Yehuda	D24/156
D460,398 S *	7/2002	Berry	D12/213	D780,563 S *	3/2017	Baiz	D8/387
6,540,750 B2 *	4/2003	Burkhart	A61B 17/0401	D785,538 S *	3/2017	Baiz	D8/387
				606/232	D786,057 S *	5/2017	Jordan	D12/213
6,692,083 B2 *	2/2004	Latham	E21C 35/18	D787,306 S *	5/2017	Baiz	D8/397
				299/104	D792,205 S *	7/2017	Baiz	D8/397
D549,568 S *	8/2007	Schaeffer	D8/397	D793,221 S *	8/2017	Baiz	D8/397
7,252,471 B1 *	8/2007	Manyoky	F16B 37/00	D795,053 S *	8/2017	Baiz	D8/397
				411/427	D801,167 S *	10/2017	Baiz	D8/397
7,392,674 B1 *	7/2008	Grote	F16B 37/14	D814,913 S *	4/2018	Baiz	D8/387
				411/910	D821,187 S *	6/2018	Baiz	D8/387
D581,777 S *	12/2008	Huang	D8/397	2014/0074163 A1 *	3/2014	West, Jr.	A61B 17/0401
D592,748 S *	5/2009	Boulton	A61F 11/006					606/232
				D24/108	2014/0222072 A1 *	8/2014	Gerber	A61B 17/0401
7,814,709 B1 *	10/2010	Resech	E04D 13/1407					606/232
				52/100	2014/0249579 A1 *	9/2014	Heaven	A61B 17/0401
D647,393 S *	10/2011	Carrillo, Sr.	D8/387					606/232
D720,208 S *	12/2014	Jordan	D8/397	2017/0051780 A1 *	2/2017	Dickinson	B29C 45/006
D731,300 S *	6/2015	Vargas	D8/397	2017/0130760 A1 *	5/2017	Thiele	F16B 41/002
D738,265 S *	9/2015	McNeeley	D12/118	2017/0150959 A1 *	6/2017	Berelsman	A61B 17/0401
					2017/0151007 A1 *	6/2017	Philipon	A61B 17/8888
					2017/0151054 A1 *	6/2017	Stone	A61F 2/0811

* cited by examiner

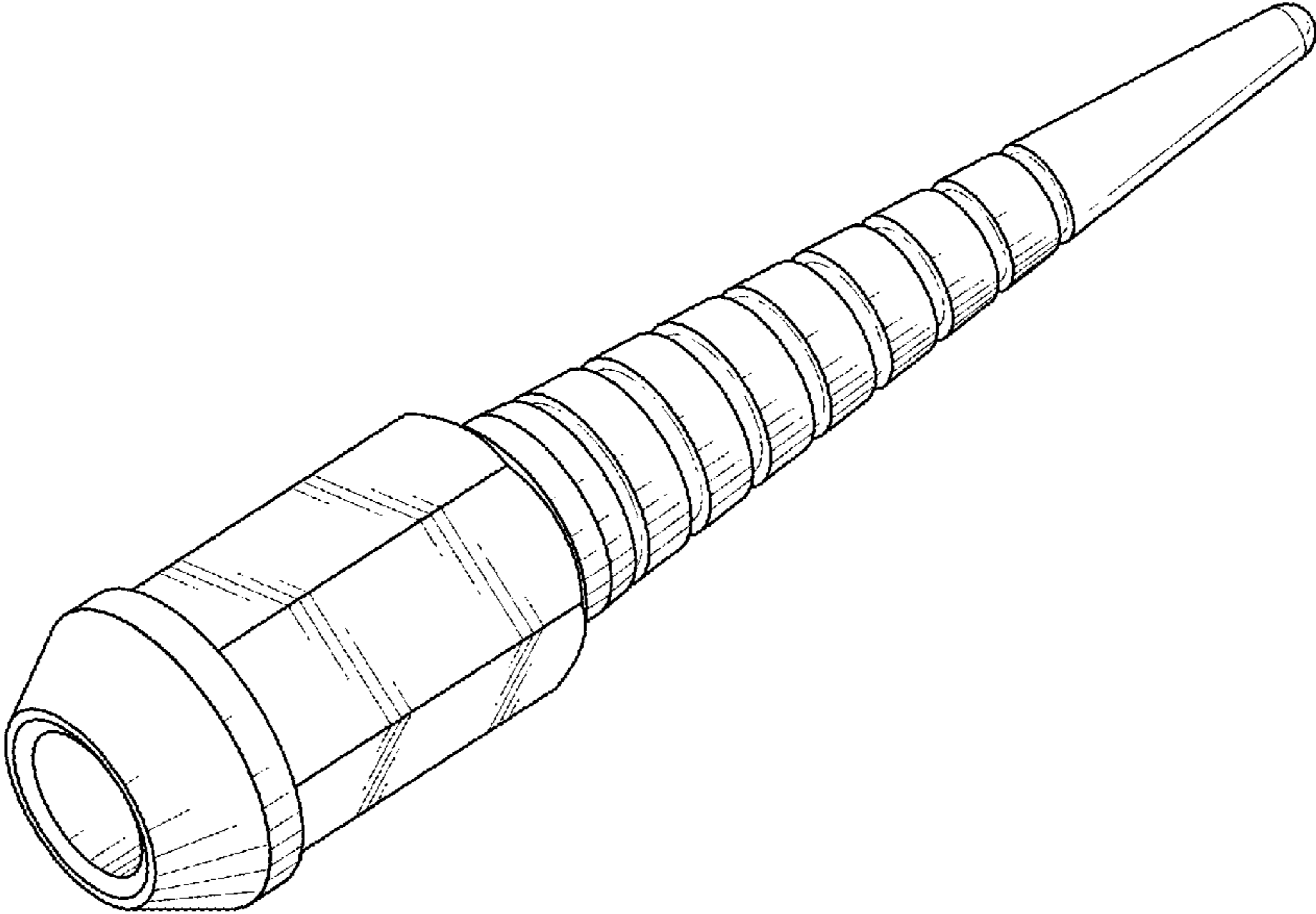


FIG. 1

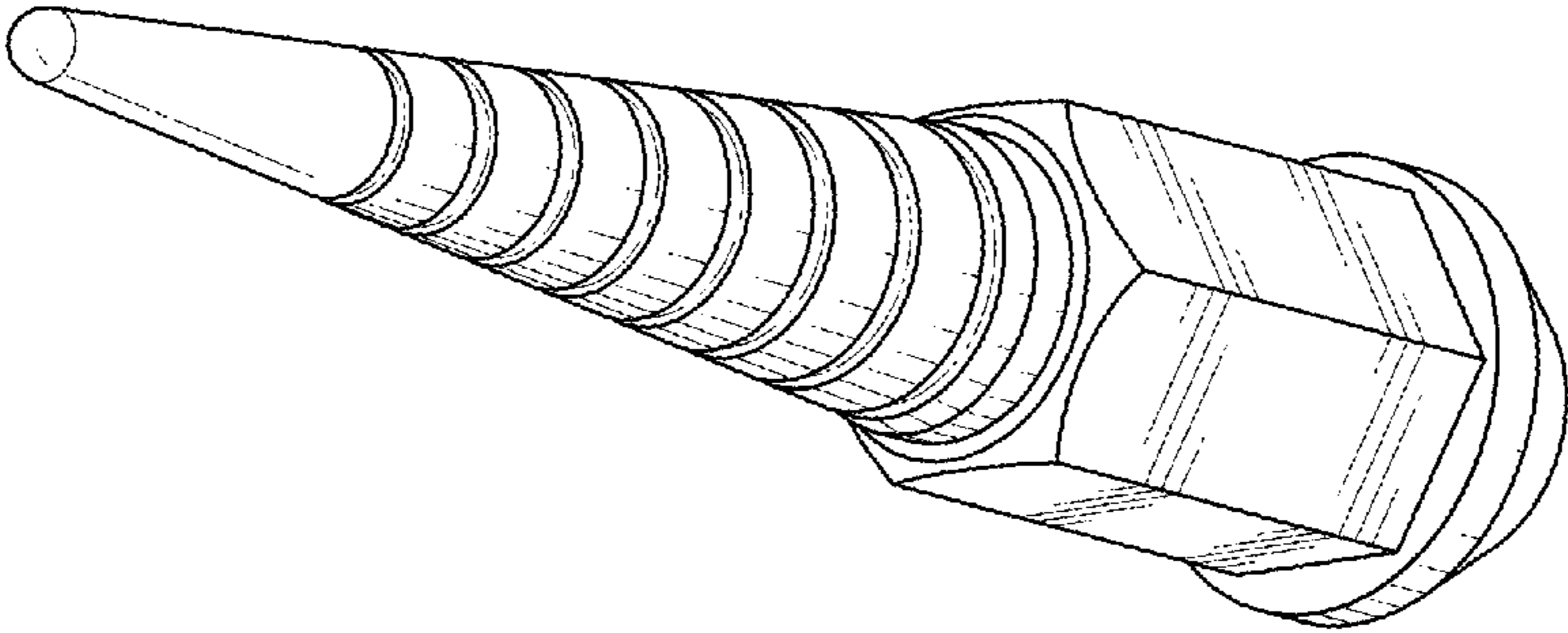


FIG. 2

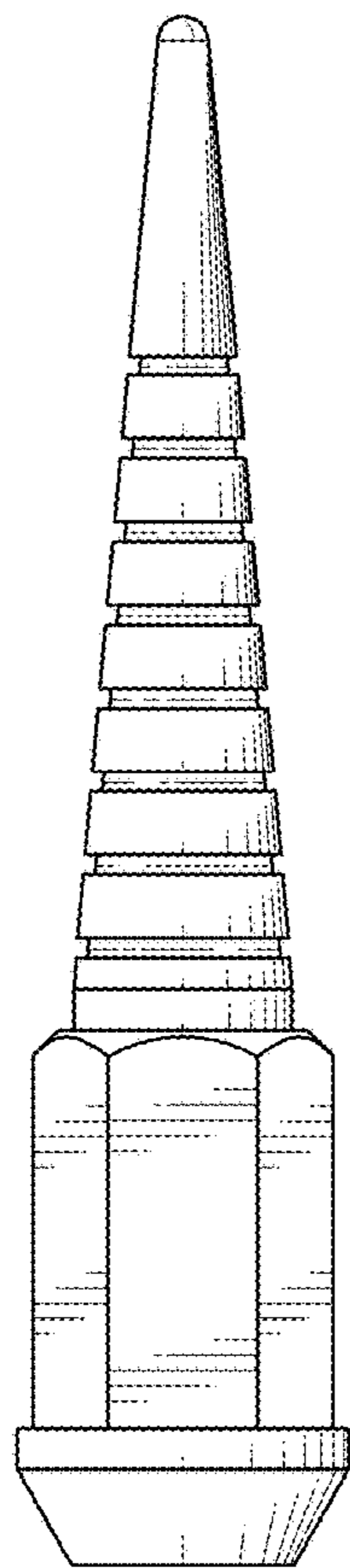


FIG. 3

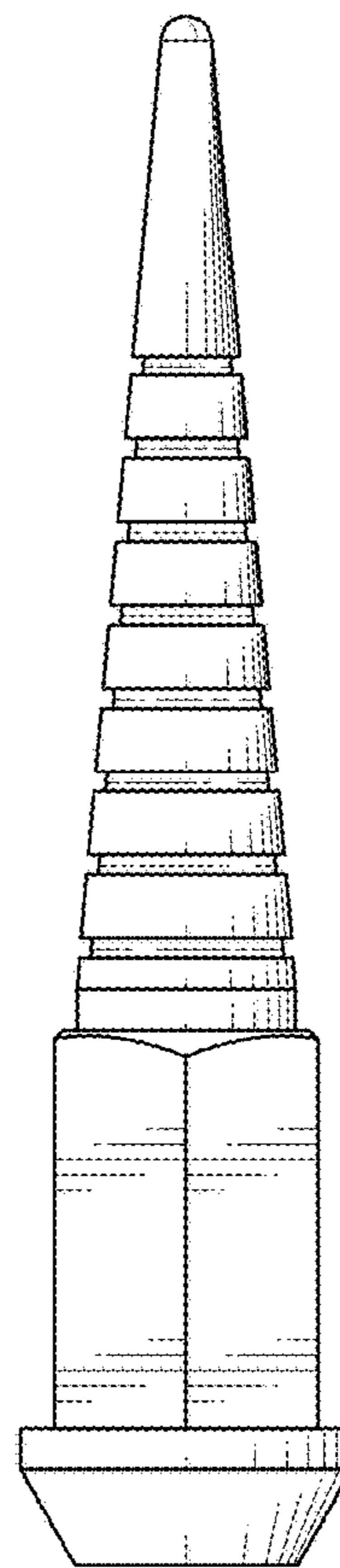


FIG. 4

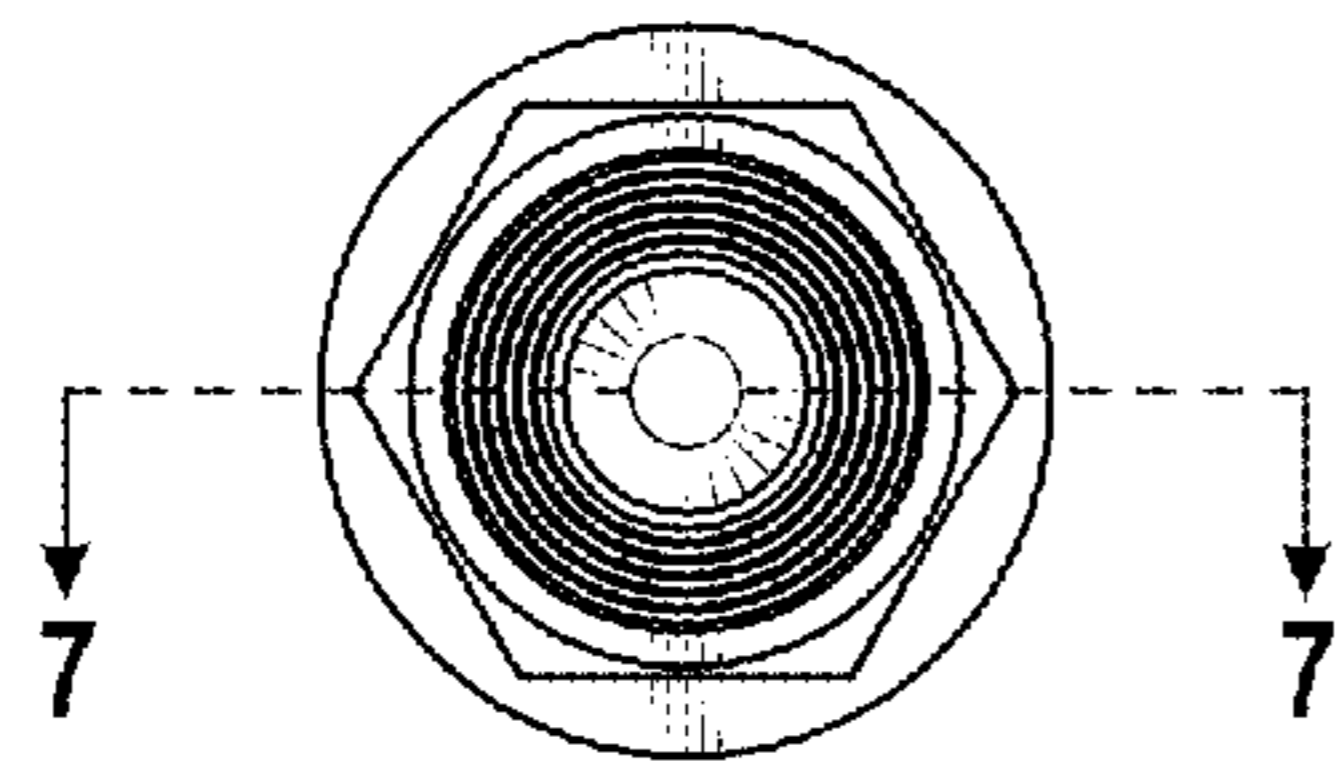


FIG. 5

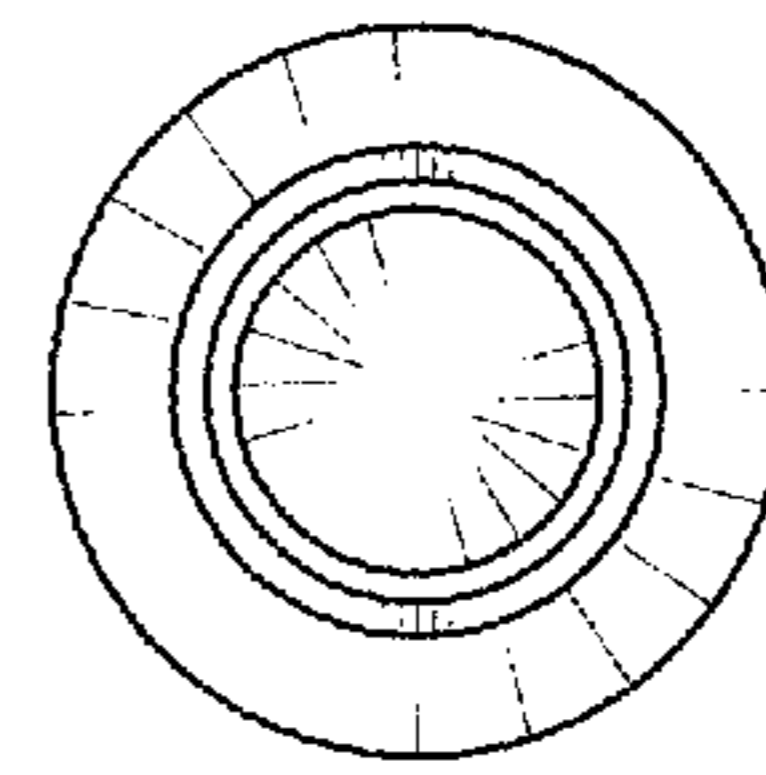


FIG. 6

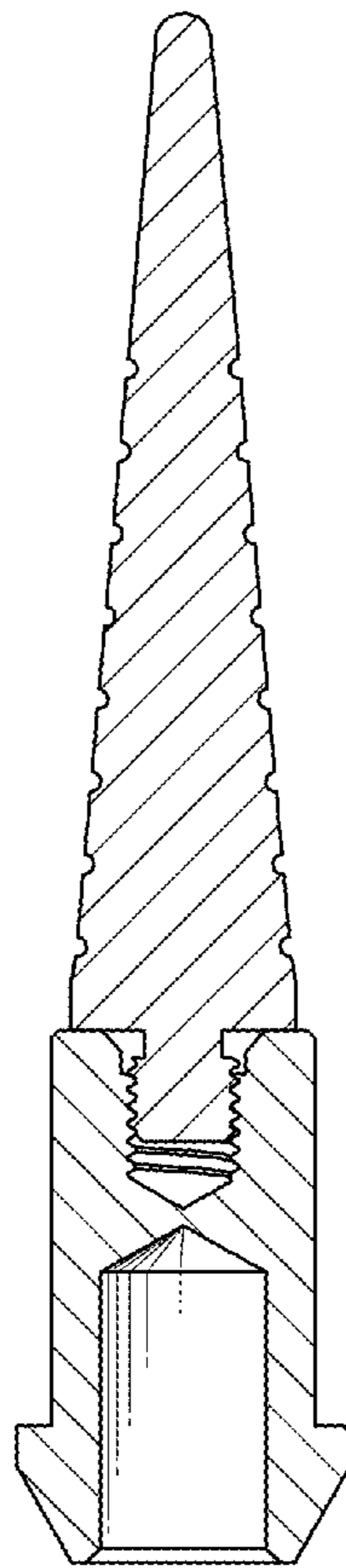


FIG. 7