



US00D842665S

(12) **United States Design Patent** (10) **Patent No.:** **US D842,665 S**
Zartman (45) **Date of Patent:** **** Mar. 12, 2019**

(54) **CAULK TRANSFER DEVICE**

(71) Applicant: **Great Lakes Inventions LLC**, Lowell, MI (US)

(72) Inventor: **Timothy A. Zartman**, Lowell, MI (US)

(73) Assignee: **Great Lakes Inventions, LLC**, Lowell, MI (US)

(**) Term: **15 Years**

(21) Appl. No.: **29/622,631**

(22) Filed: **Oct. 18, 2017**

(51) **LOC (11) Cl.** **08-05**

(52) **U.S. Cl.**
USPC **D8/14.1**

(58) **Field of Classification Search**
USPC D8/14, 14.1, 387, 398; D23/233, 262; D7/435, 440
CPC B65D 83/303; B65D 83/28
See application file for complete search history.

(56) **References Cited**

U.S. PATENT DOCUMENTS

5,104,013 A * 4/1992 Hawley B65D 35/38
222/566
5,295,601 A * 3/1994 Bostelman B65D 35/44
215/306
5,694,972 A * 12/1997 King A01G 25/023
137/318
D422,214 S * 4/2000 Hollinger D9/439
6,886,585 B1 * 5/2005 King, Jr. G05G 1/10
137/236.1
6,986,532 B1 * 1/2006 King A01G 25/023
137/318
D530,796 S * 10/2006 Zielke D23/262
7,219,684 B2 * 5/2007 Dabir A01G 25/023
137/318
D625,977 S * 10/2010 Watson D23/262
D658,458 S * 5/2012 Seabrooks D8/14.1

(Continued)

Primary Examiner — Philip S Hyder

(74) *Attorney, Agent, or Firm* — Price Heneveld LLP

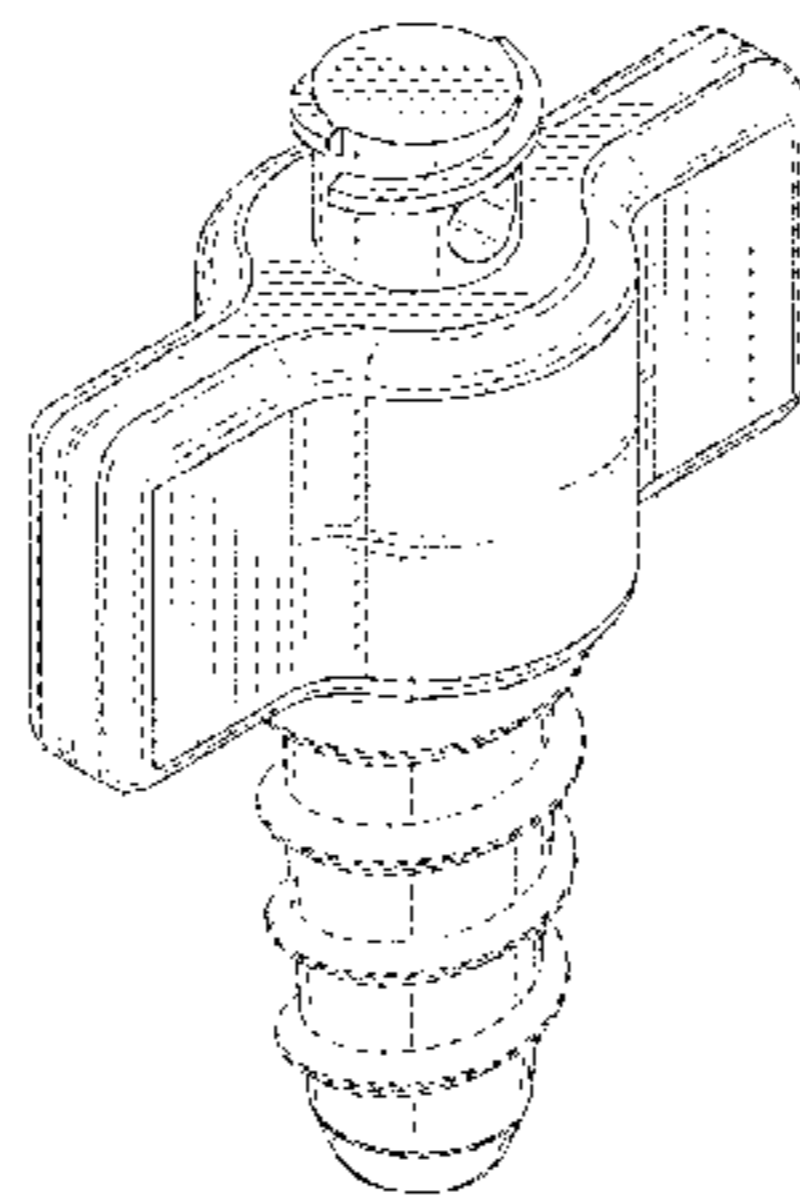
(57) **CLAIM**

I claim the ornamental design for a caulk transfer device, as shown and described.

DESCRIPTION

FIG. 1 is a front perspective view of one embodiment of a caulk transfer device of the present disclosure;
 FIG. 2 is a front elevational view of the caulk transfer device of FIG. 1;
 FIG. 3 is a rear elevational view of the caulk transfer device of FIG. 1;
 FIG. 4 is a first side elevational view of the caulk transfer device of FIG. 1;
 FIG. 5 is a second side elevational view of the caulk transfer device of FIG. 1;
 FIG. 6 is a top plan view of the caulk transfer device of FIG. 1;
 FIG. 7 is a bottom plan view of the caulk transfer device of FIG. 1;
 FIG. 8 is a front perspective view of another embodiment of a caulk transfer device of the present disclosure;
 FIG. 9 is a front elevational view of the caulk transfer device of FIG. 8;
 FIG. 10 is a rear elevational view of the caulk transfer device of FIG. 8;
 FIG. 11 is a first side elevational view of the caulk transfer device of FIG. 8;
 FIG. 12 is a second side elevational view of the caulk transfer device of FIG. 8;
 FIG. 13 is a top plan view of the caulk transfer device of FIG. 8; and,
 FIG. 14 is a bottom plan view of the caulk transfer device of FIG. 8.
 The broken lines depict portions of the article that form no part of the claimed design.

1 Claim, 8 Drawing Sheets



(56)

References Cited

U.S. PATENT DOCUMENTS

8,627,975 B1 * 1/2014 Whitbeck B65D 35/32
220/254.1
D718,102 S * 11/2014 Cross D8/14.1
D748,442 S * 2/2016 White D8/14
9,364,903 B2 * 6/2016 Hall B23B 51/08
9,498,229 B2 * 11/2016 Harris, Jr. A61B 17/1617
D795,664 S * 8/2017 Schneider D8/14.1

* cited by examiner

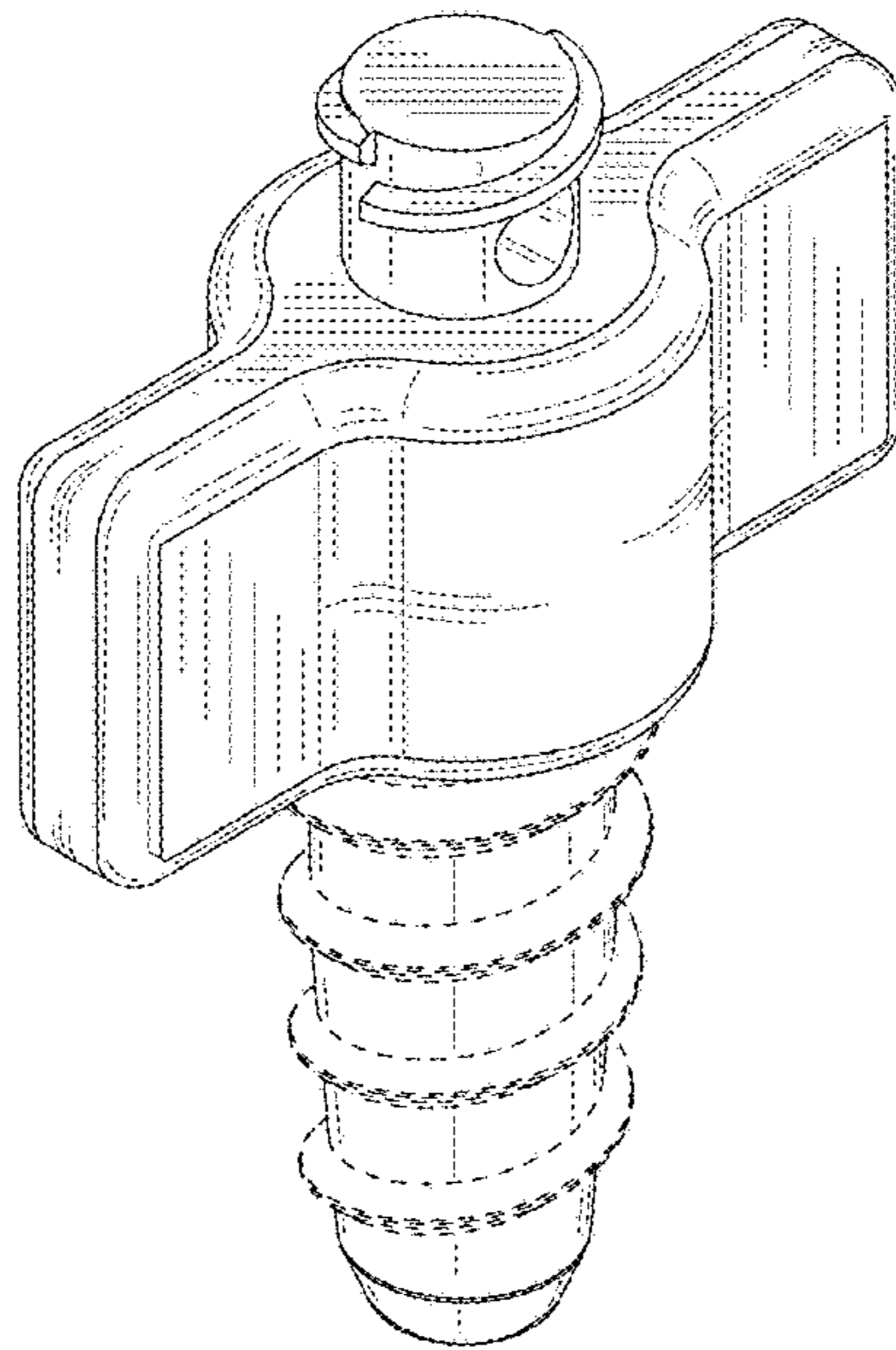


FIG. 1

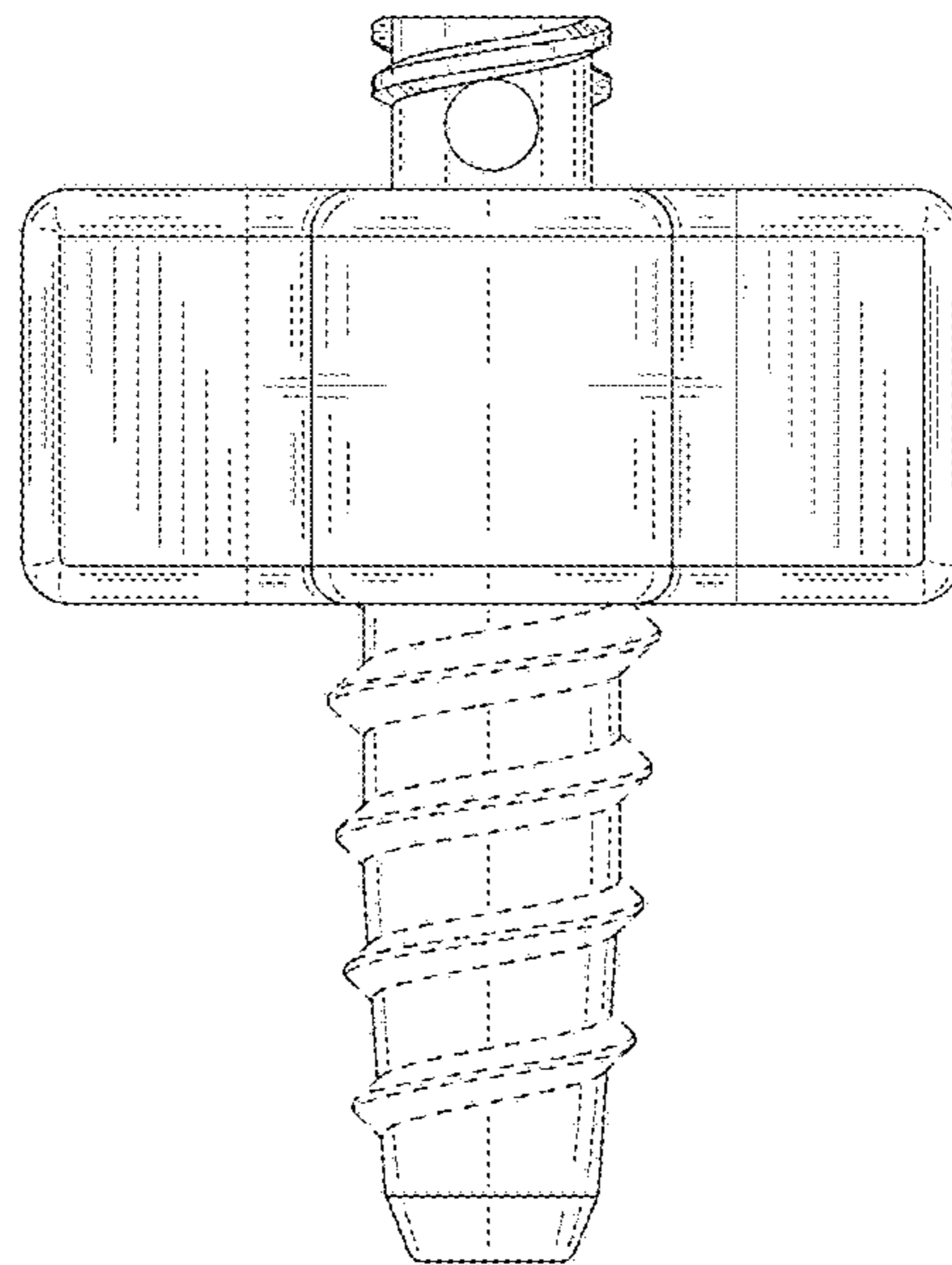


FIG. 2

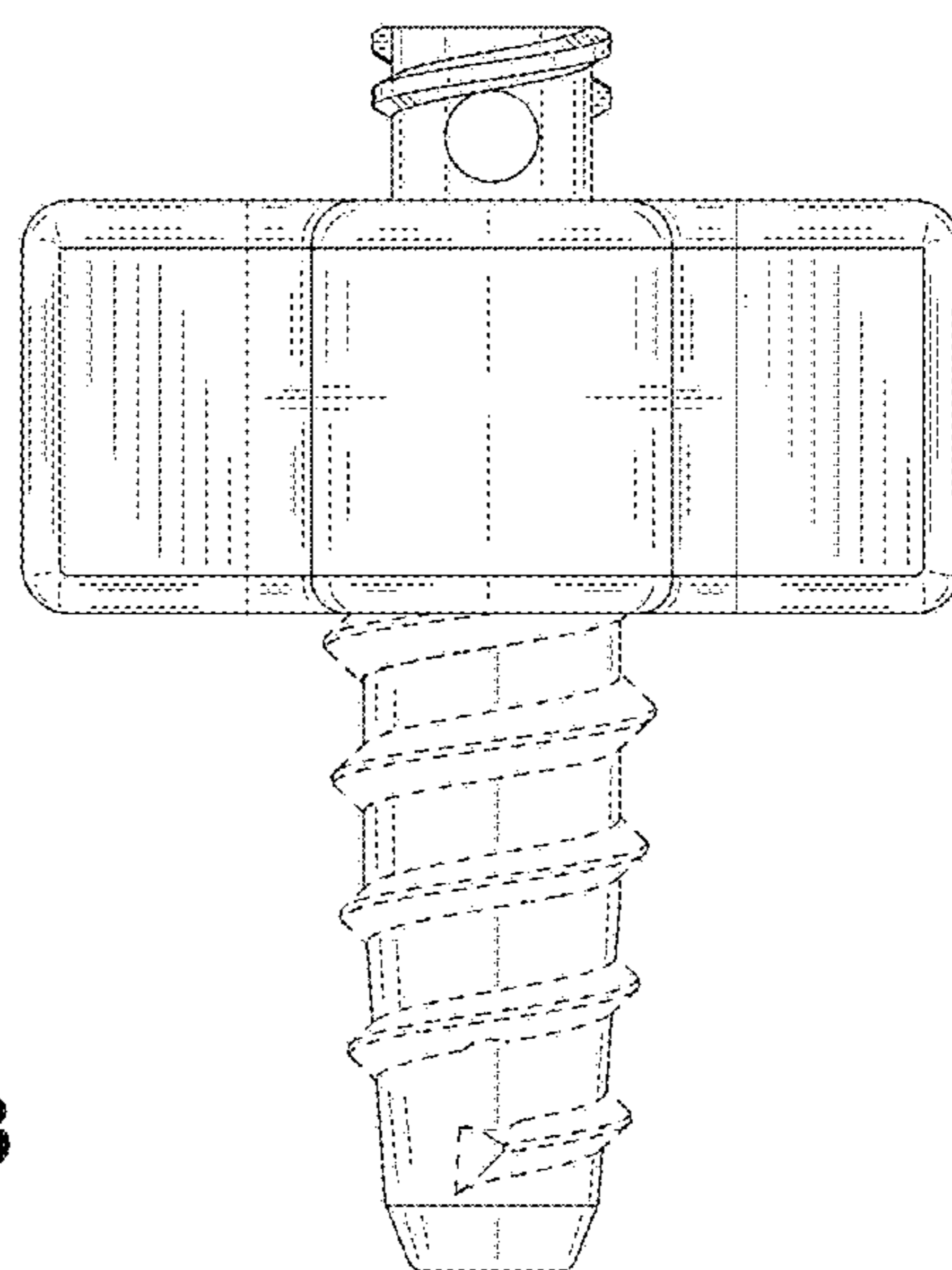


FIG. 3

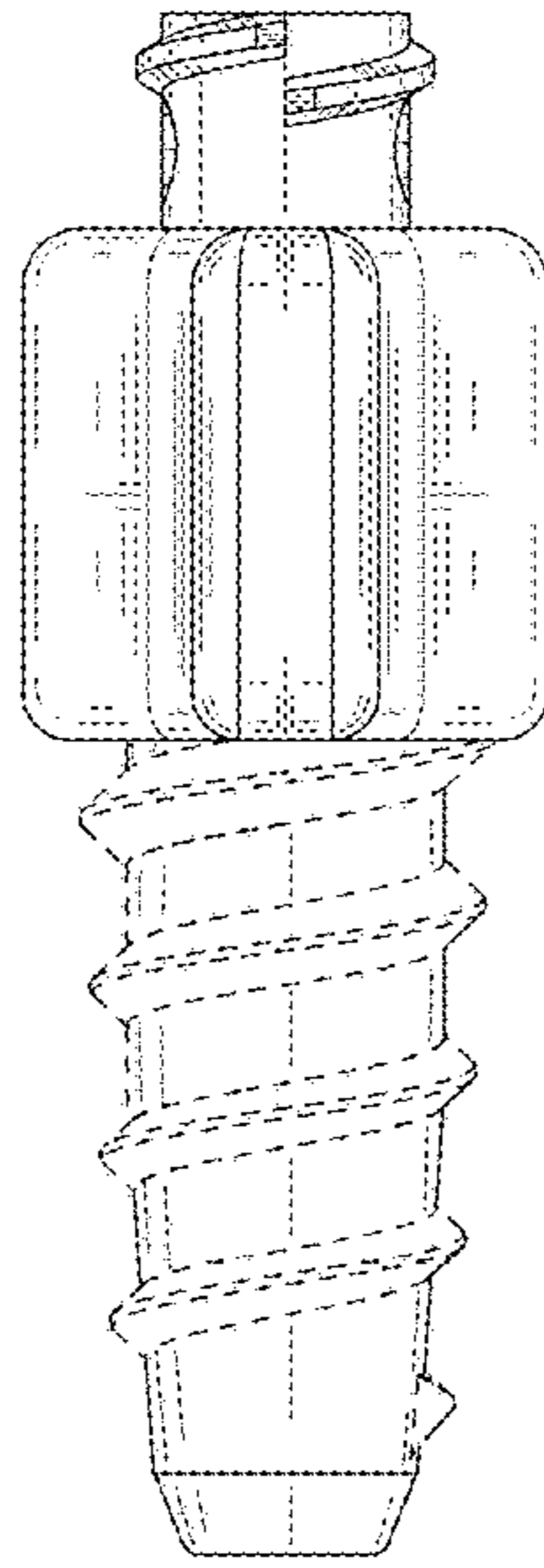


FIG. 4

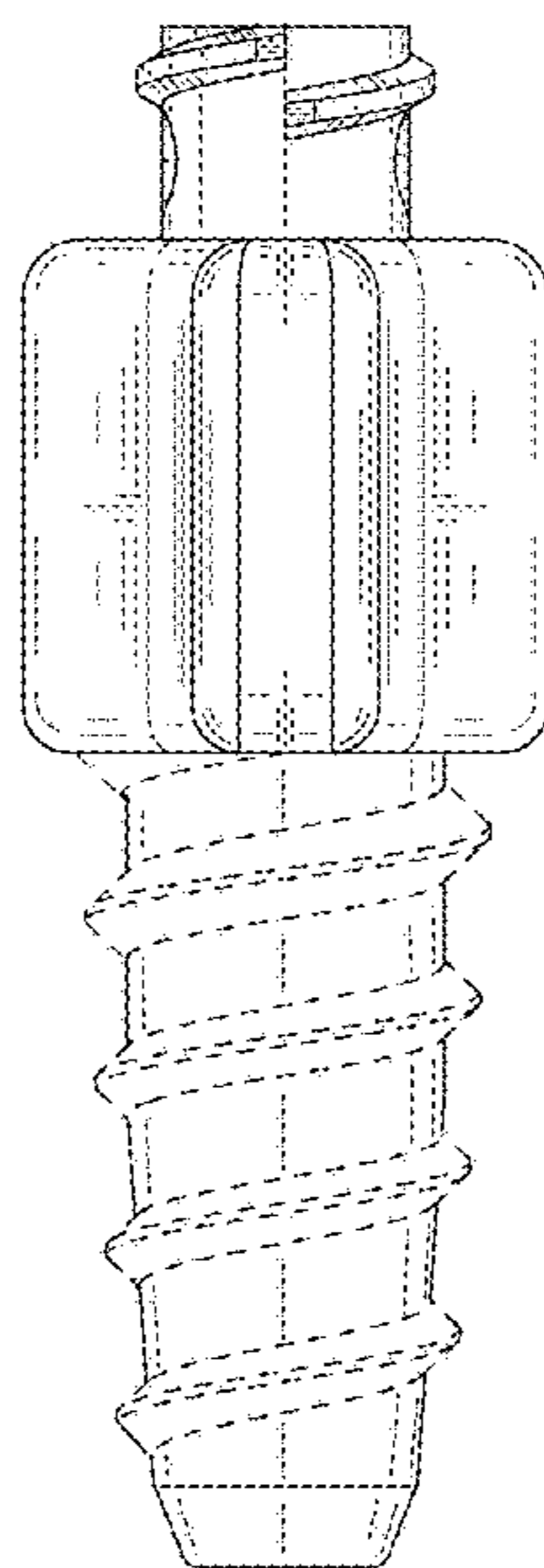


FIG. 5

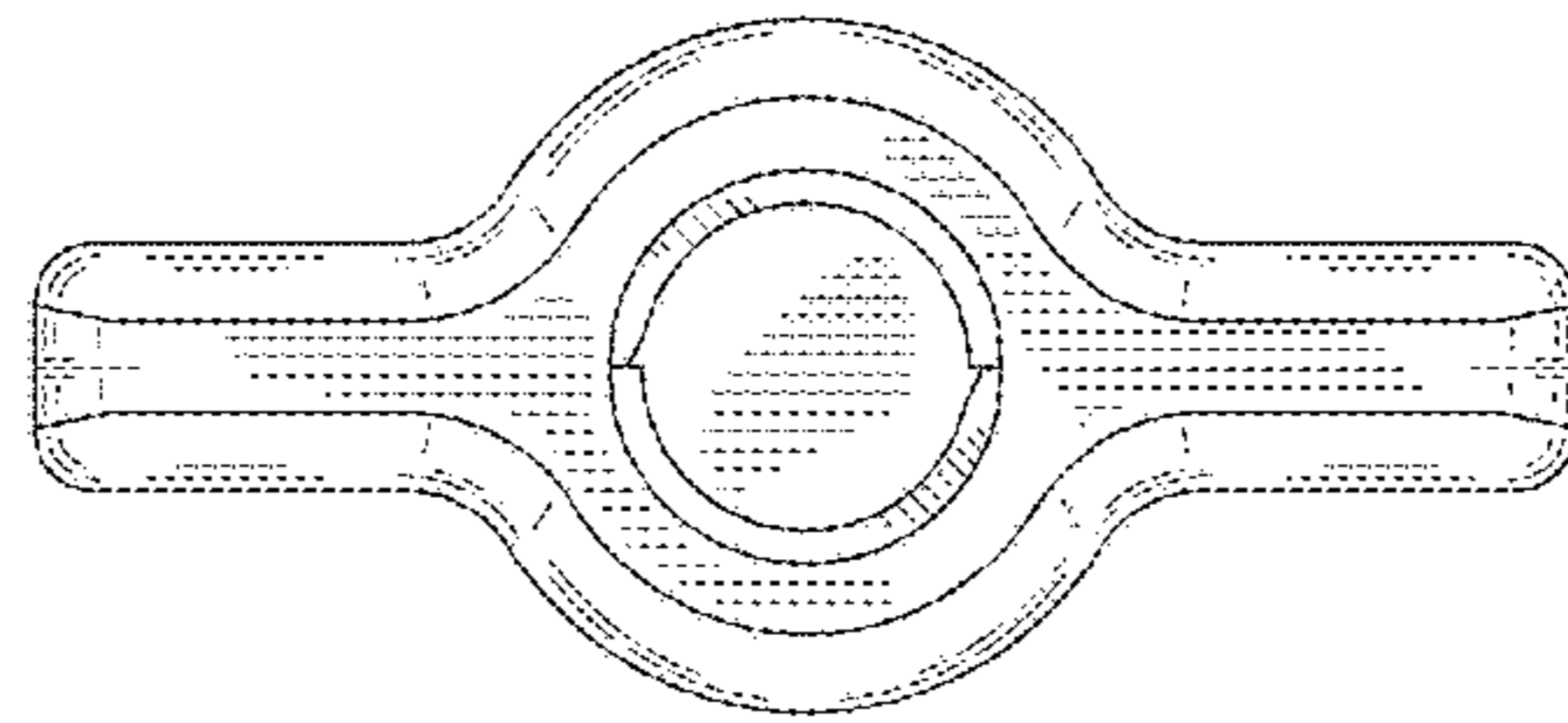


FIG. 6

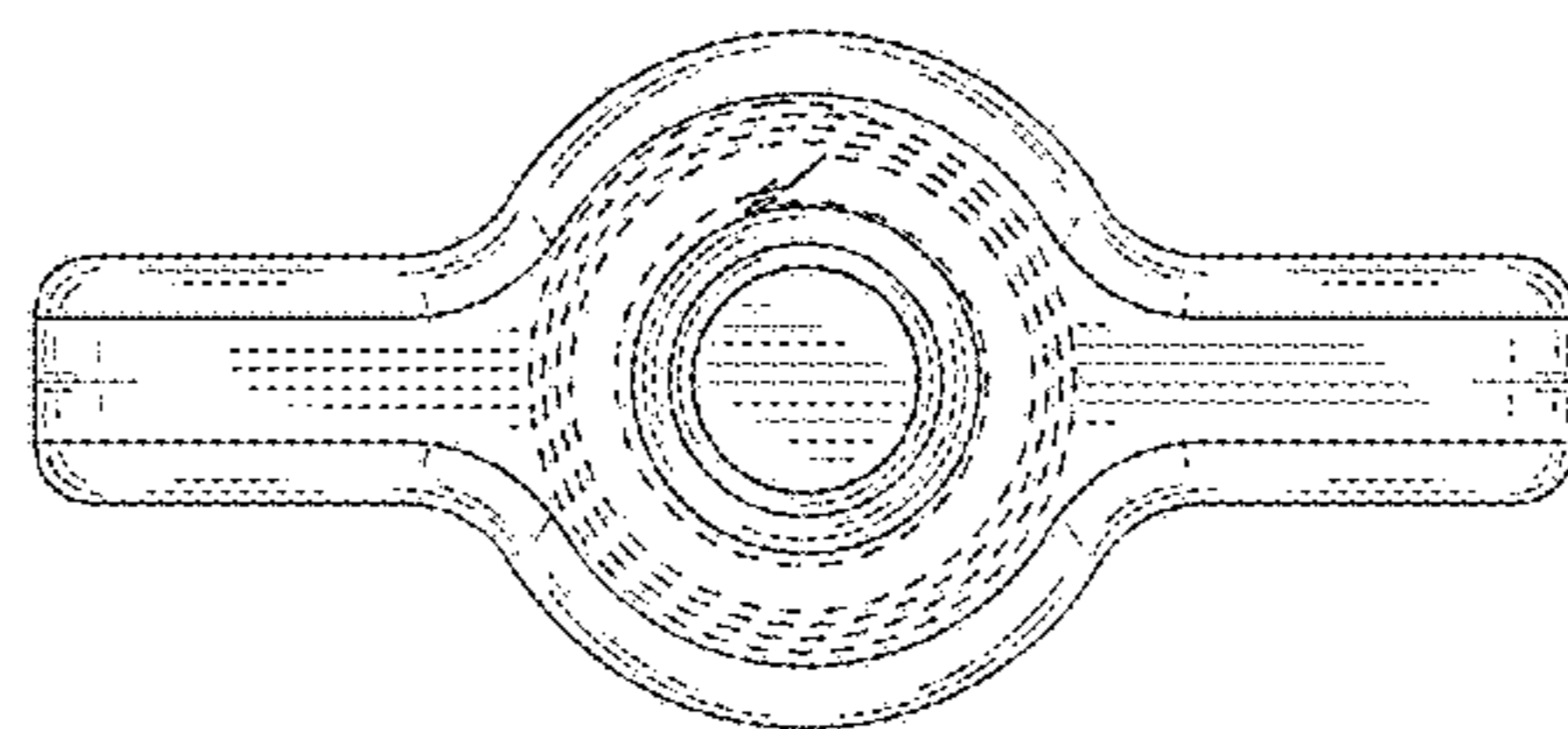


FIG. 7

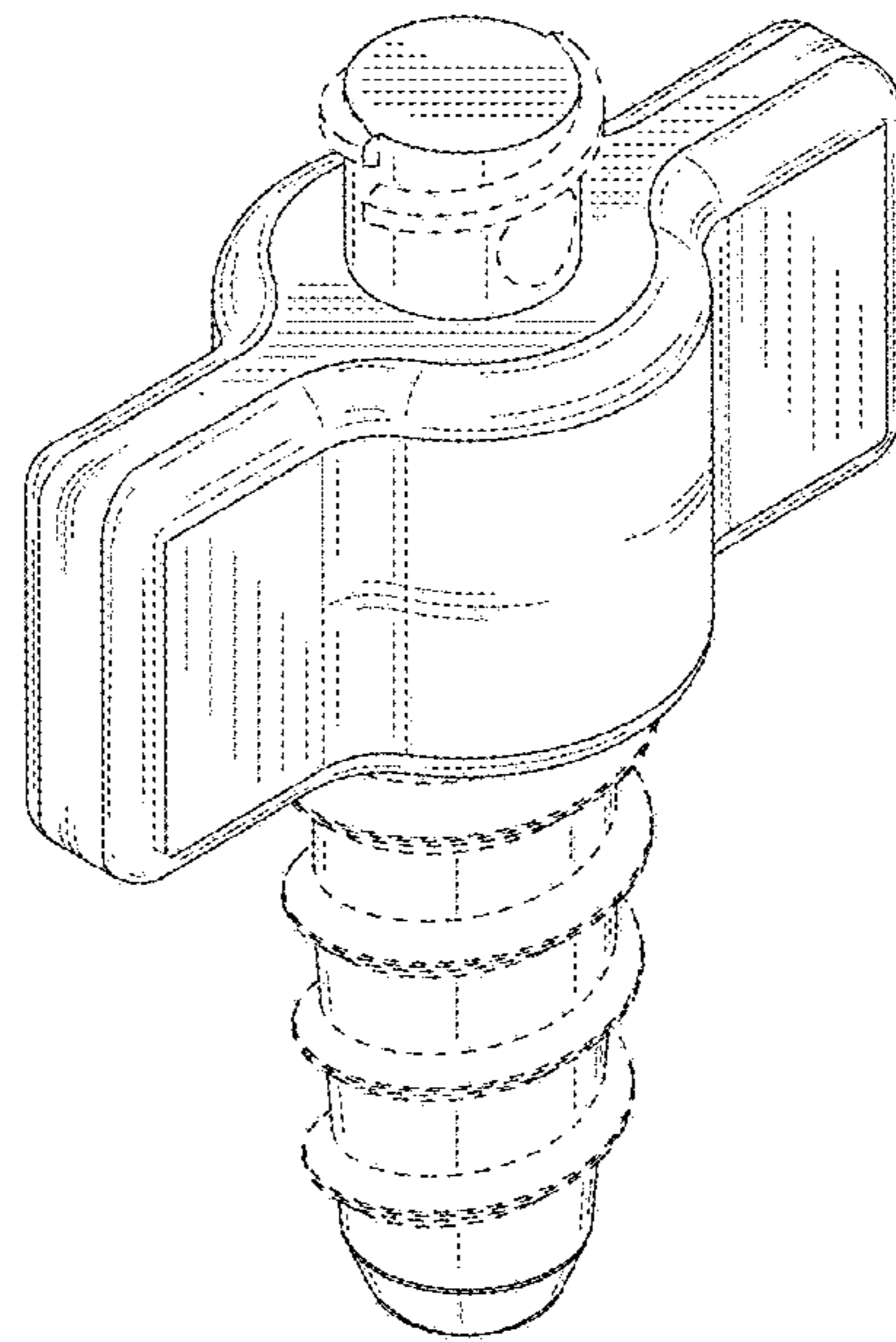


FIG. 8

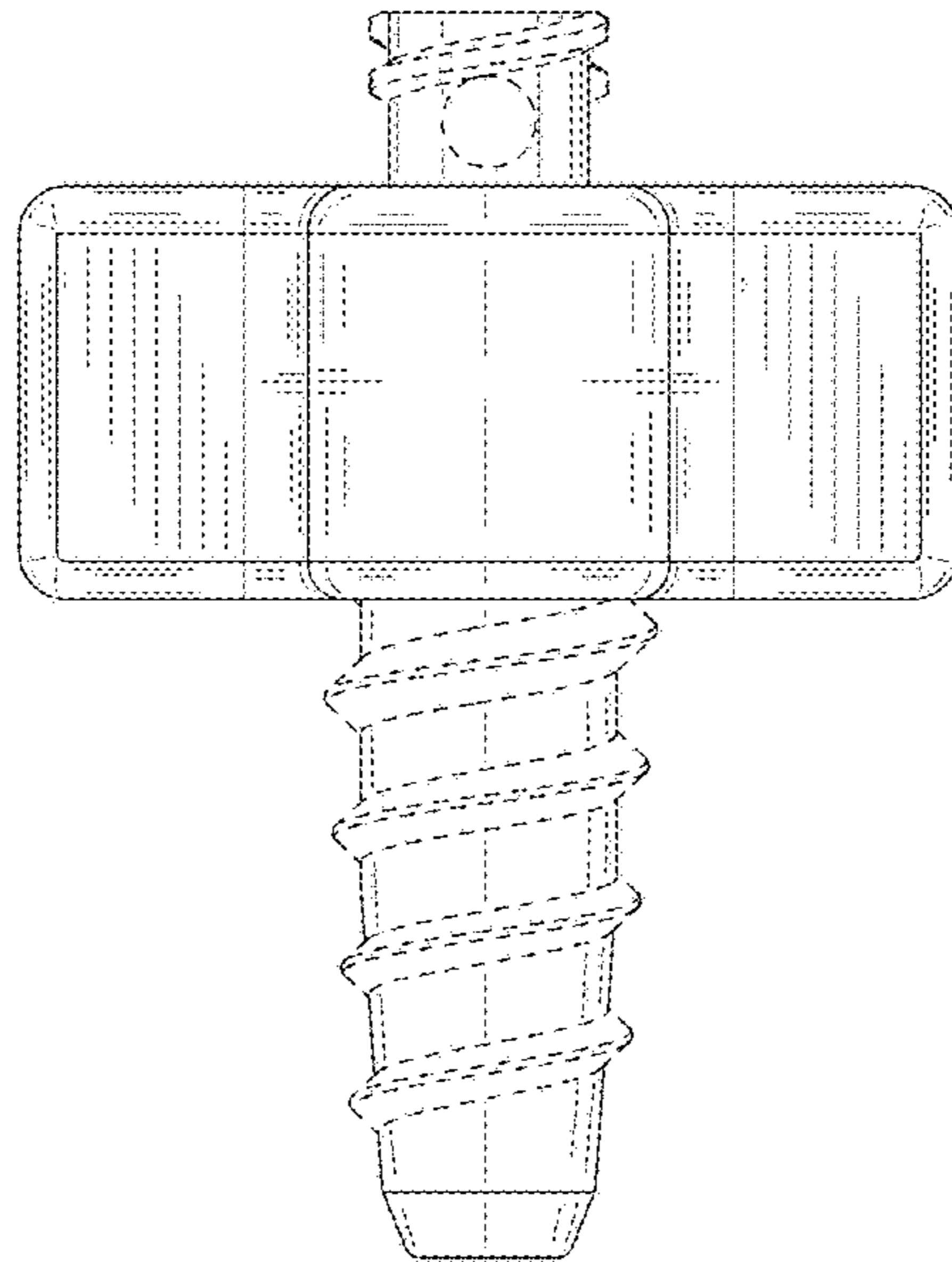


FIG. 9

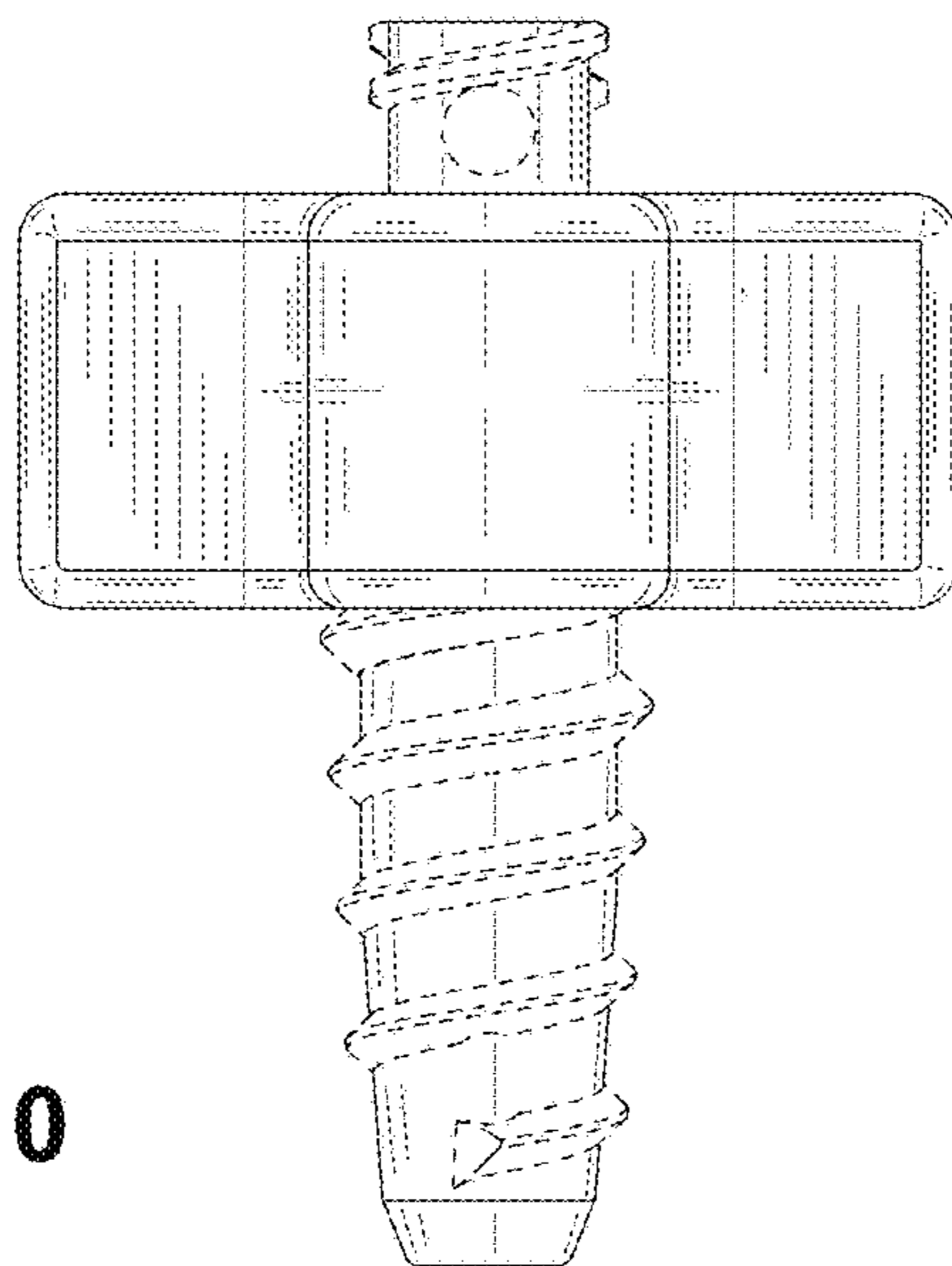


FIG. 10

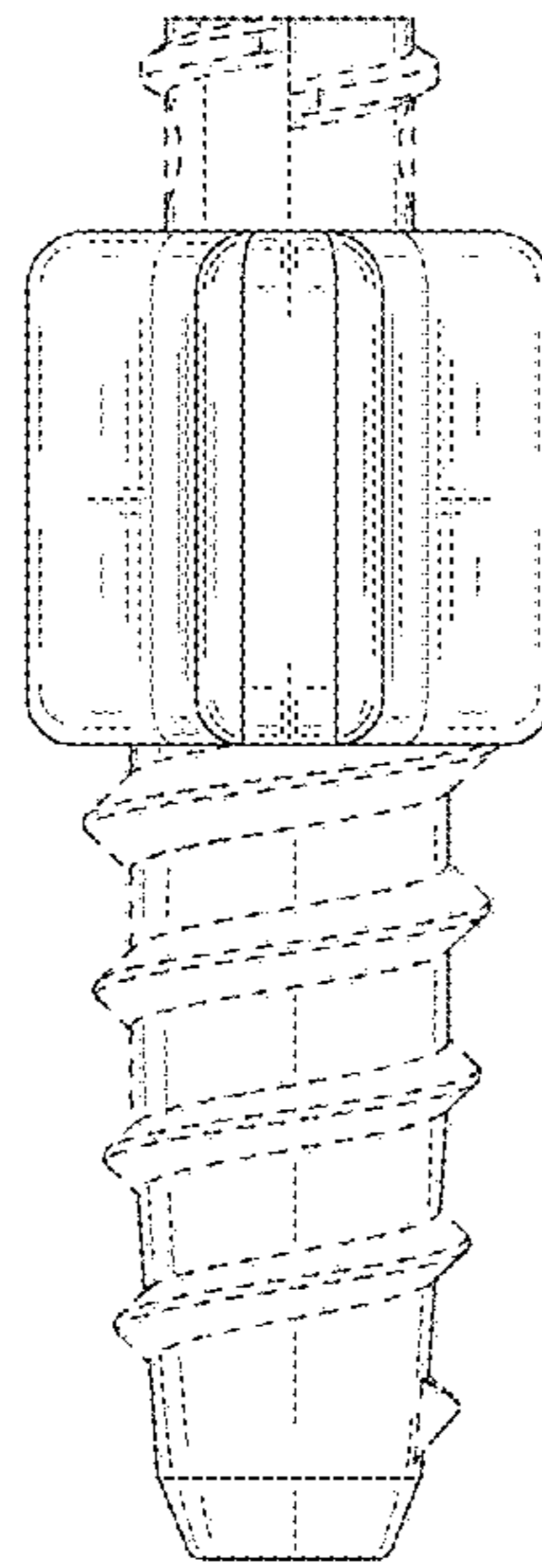


FIG. 11

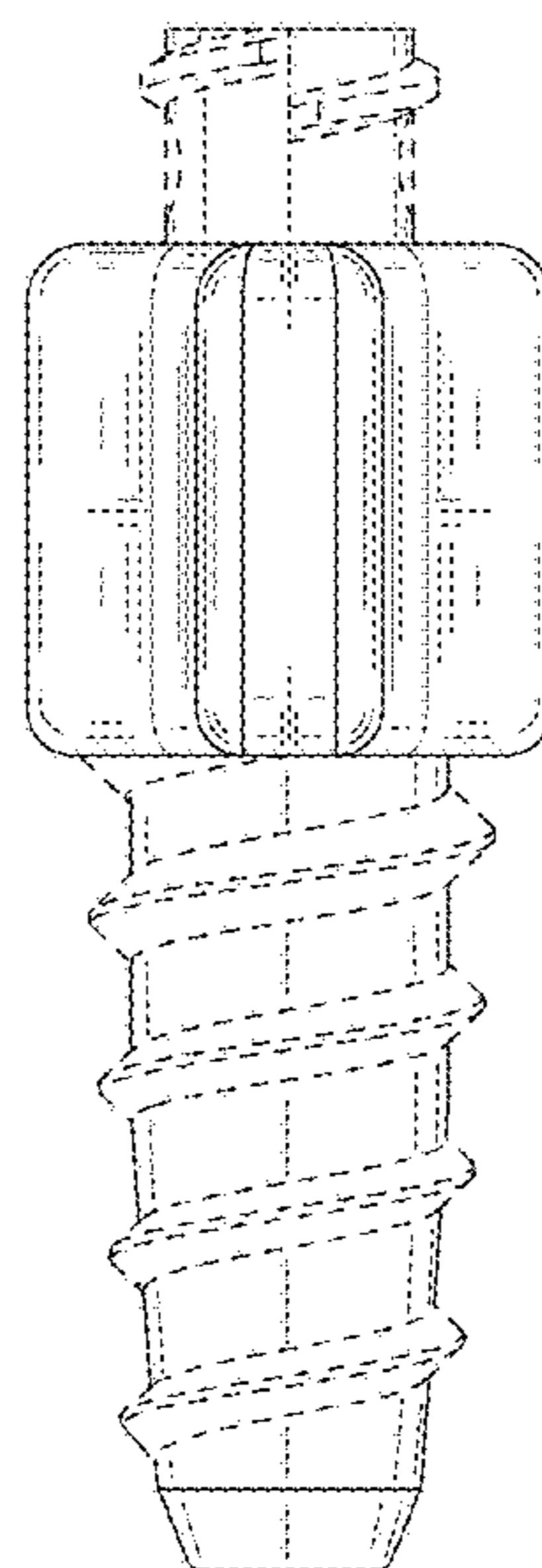


FIG. 12

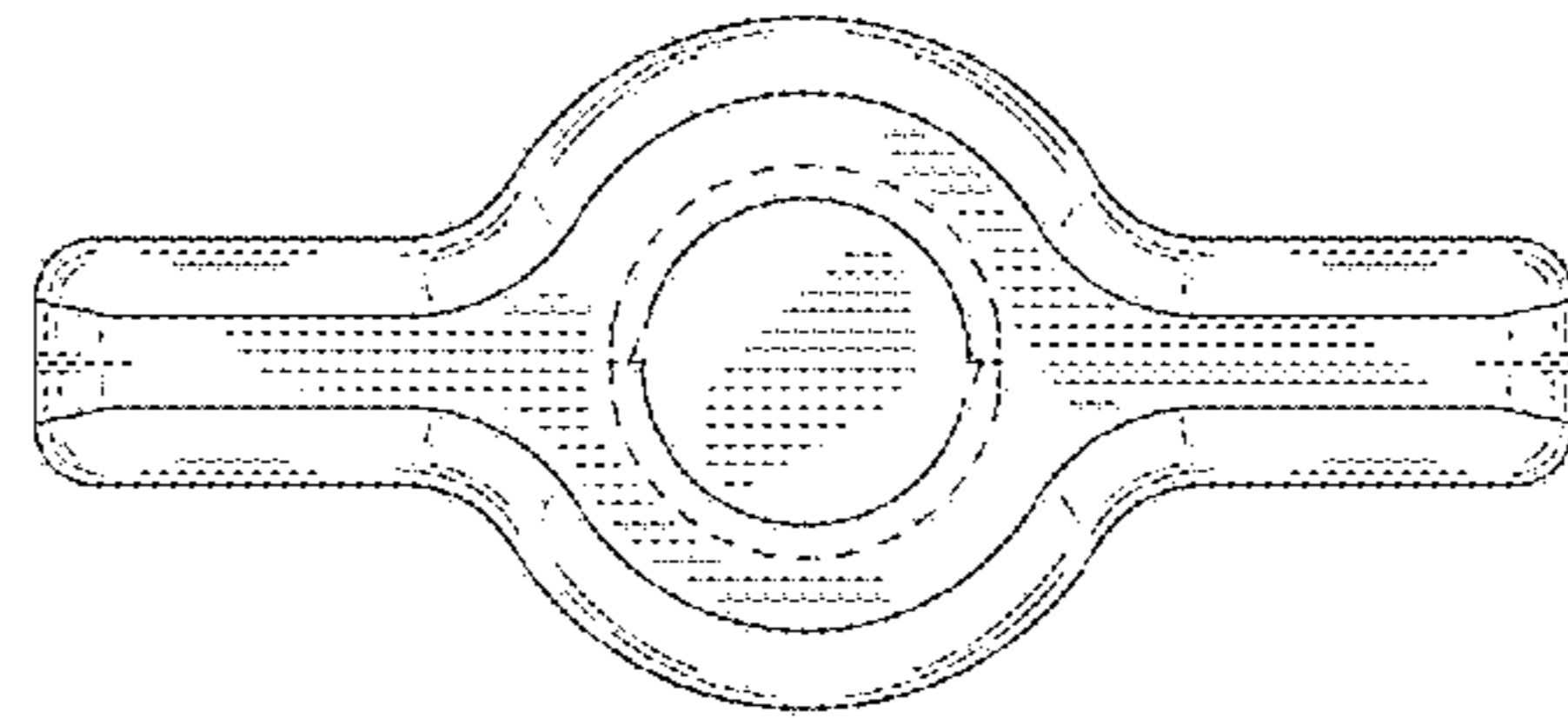


FIG. 13

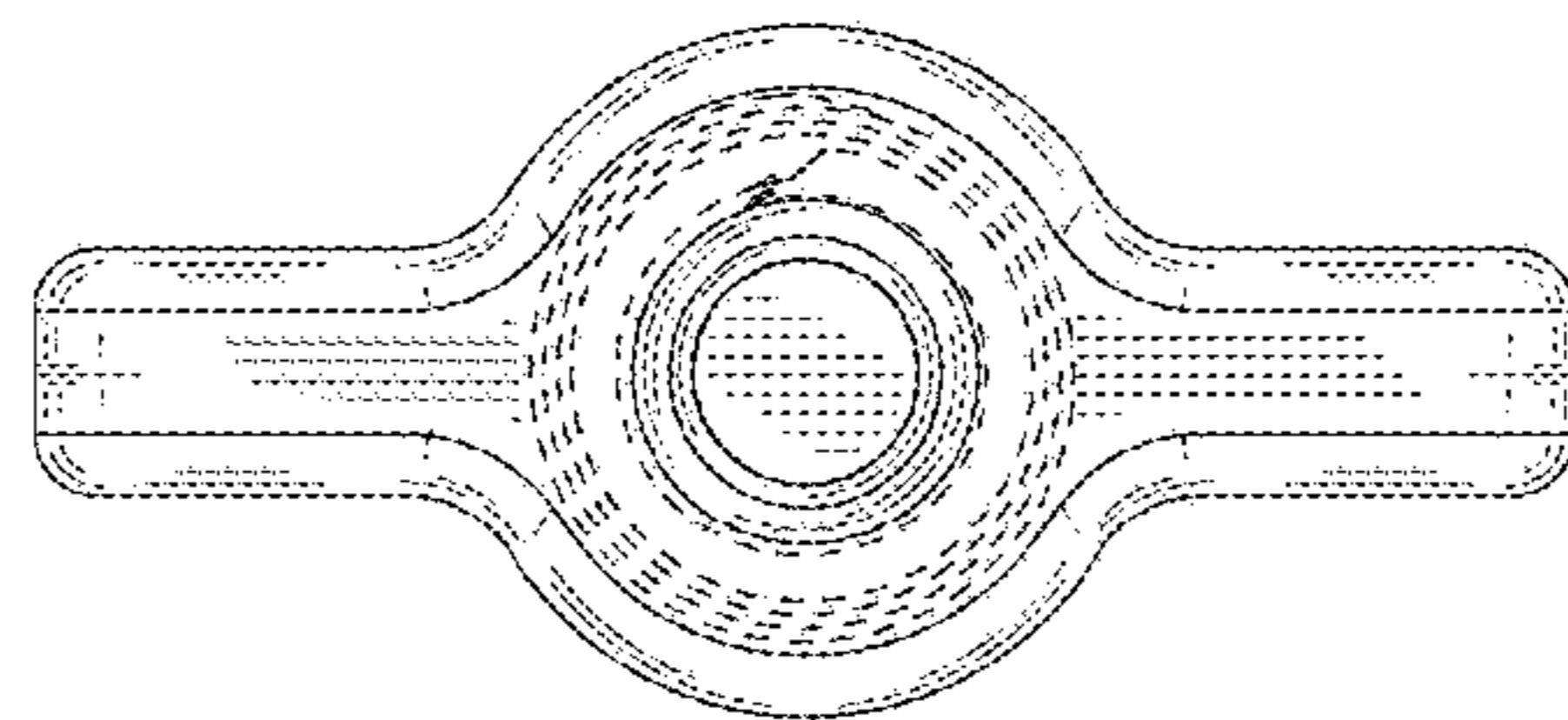


FIG. 14