



US00D842664S

(12) **United States Design Patent** (10) **Patent No.:** **US D842,664 S**
Arnold et al. (45) **Date of Patent:** **** Mar. 12, 2019**

(54) **SCOOP**
(71) Applicant: **Leprino Performance Brands LLC**,
Denver, CO (US)
(72) Inventors: **Mike Arnold**, Denver, CO (US); **Paul
Vraciu**, Denver, CO (US); **Elizabeth
Marie Barrett**, Newburgh, IN (US);
Scott Lee Fisher, Evansville, IN (US)
(73) Assignee: **Leprino Performance Brands LLC**,
Denver, CO (US)

7,562,786 B2 7/2009 Morrison
D620,769 S * 8/2010 Mangin D7/691
8,042,704 B2 10/2011 Borowski et al.
8,308,008 B2 11/2012 Perry et al.
8,590,732 B2 11/2013 Vandamme et al.
8,757,421 B2 6/2014 Yang et al.
8,833,584 B2 9/2014 Groubert
2005/0252291 A1 * 11/2005 Dalla Piazza A47F 13/08
73/429
2008/0041861 A1 2/2008 Crawford et al.
2011/0315686 A1 12/2011 Siddiqui et al.
2014/0151389 A1 6/2014 Melia
2015/0197381 A1 7/2015 Valenti et al.
2015/0210450 A1 7/2015 Mercado et al.

(**) Term: **15 Years**

(21) Appl. No.: **29/590,713**
(22) Filed: **Jan. 12, 2017**
(51) **LOC (11) Cl.** **07-02**
(52) **U.S. Cl.**
USPC **D7/691**
(58) **Field of Classification Search**
USPC D7/691, 692; D10/46.2, 46.3
CPC B65D 51/246; A47J 43/28; A47J 43/281;
A47F 13/08; G01F 19/002
See application file for complete search history.

OTHER PUBLICATIONS

Edge “Pure Milk Protein Powder, Creamy Vanilla, 1.7lb (Formerly EAS Lean 15)”, retrieved on Dec. 13, 2016 from the internet: <
https://www.amazon.com/EAS-AdvantEDGE-Protein-Formerly-Packaging/dp/B00WE0AWM0/ref=sr_1_fkrnr2_1_a_it?ie=UTF8&qid=1481664238&sr=8-1-fkrnr2&keywords=edge%2Bpure%2Bmilk%2Bpowder%2Bcreamy%2Bvanilla&th=1>.

* cited by examiner

Primary Examiner — Terry A Wallace
(74) *Attorney, Agent, or Firm* — Kilpatrick Townsend & Stockton LLP

(56) **References Cited**

U.S. PATENT DOCUMENTS

D182,456 S * 4/1958 Cronheim D10/46.2
D294,214 S * 2/1988 Smith D10/46.2
D297,202 S * 8/1988 Zumwalt D7/667
D321,305 S * 11/1991 Underwood D10/46.2
D330,997 S * 11/1992 Spahni, Jr. D7/691
D338,599 S * 8/1993 Zogg D10/46.2
5,347,865 A * 9/1994 Mulry B65D 33/1625
24/30.5 S
D352,869 S * 11/1994 Lathrop D7/691
5,706,974 A 1/1998 Murdick et al.
5,785,179 A 7/1998 Buczwinski et al.
D403,211 S * 12/1998 Weterrings D7/691
7,040,500 B2 5/2006 Kipperman et al.
7,175,041 B2 2/2007 Ekkert
D567,600 S * 4/2008 Matsumura D10/46.2

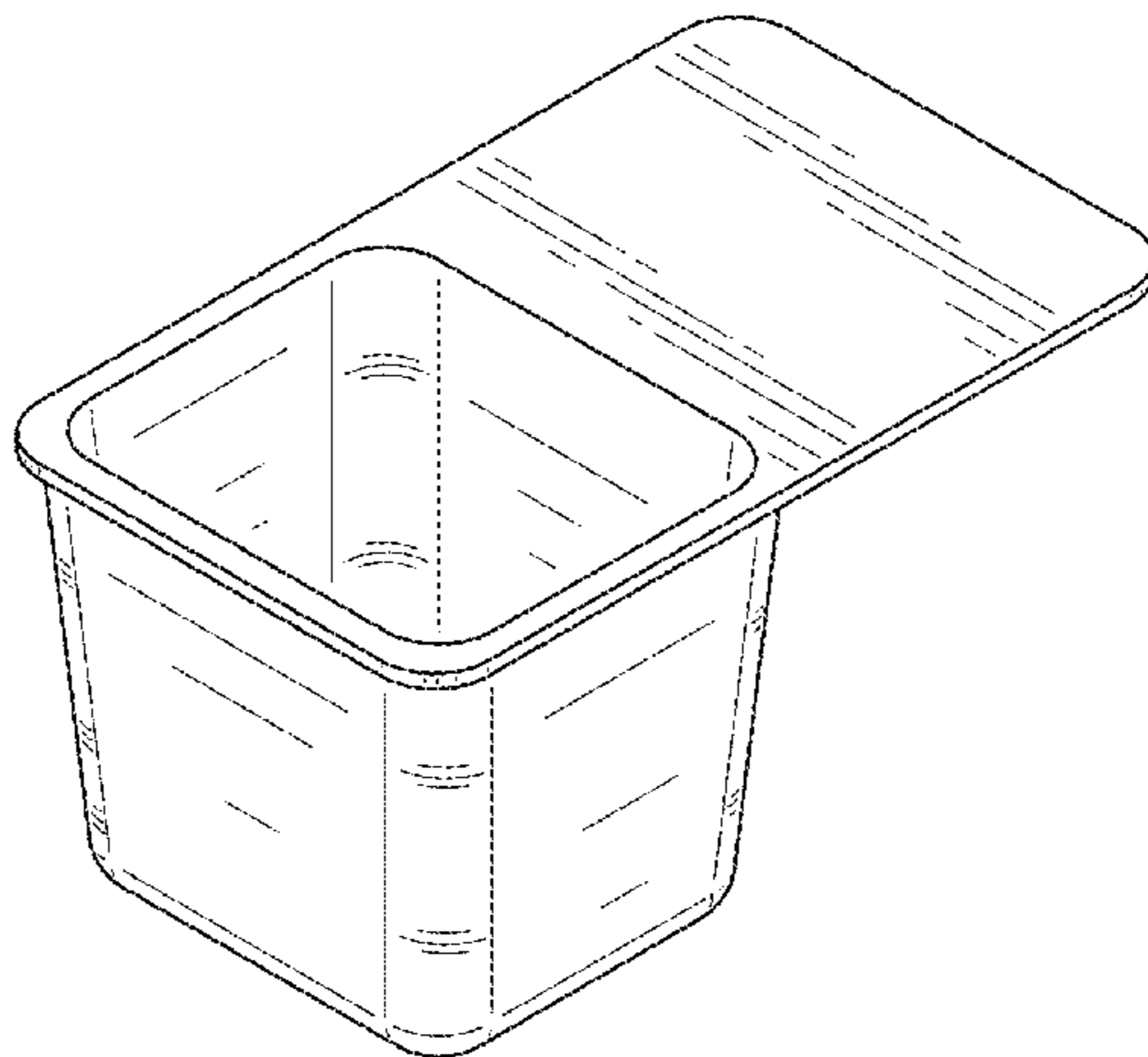
(57) **CLAIM**

The ornamental design for a scoop, as shown and described.

DESCRIPTION

FIG. 1 is a front perspective view of the scoop.
FIG. 2 is a bottom perspective view of the scoop.
FIG. 3 is a right side view of the scoop.
FIG. 4 is a left side view of the scoop.
FIG. 5 is a front view of the scoop.
FIG. 6 is a rear view of the scoop.
FIG. 7 is a top view of the scoop; and,
FIG. 8 is a bottom view of the scoop.

1 Claim, 4 Drawing Sheets



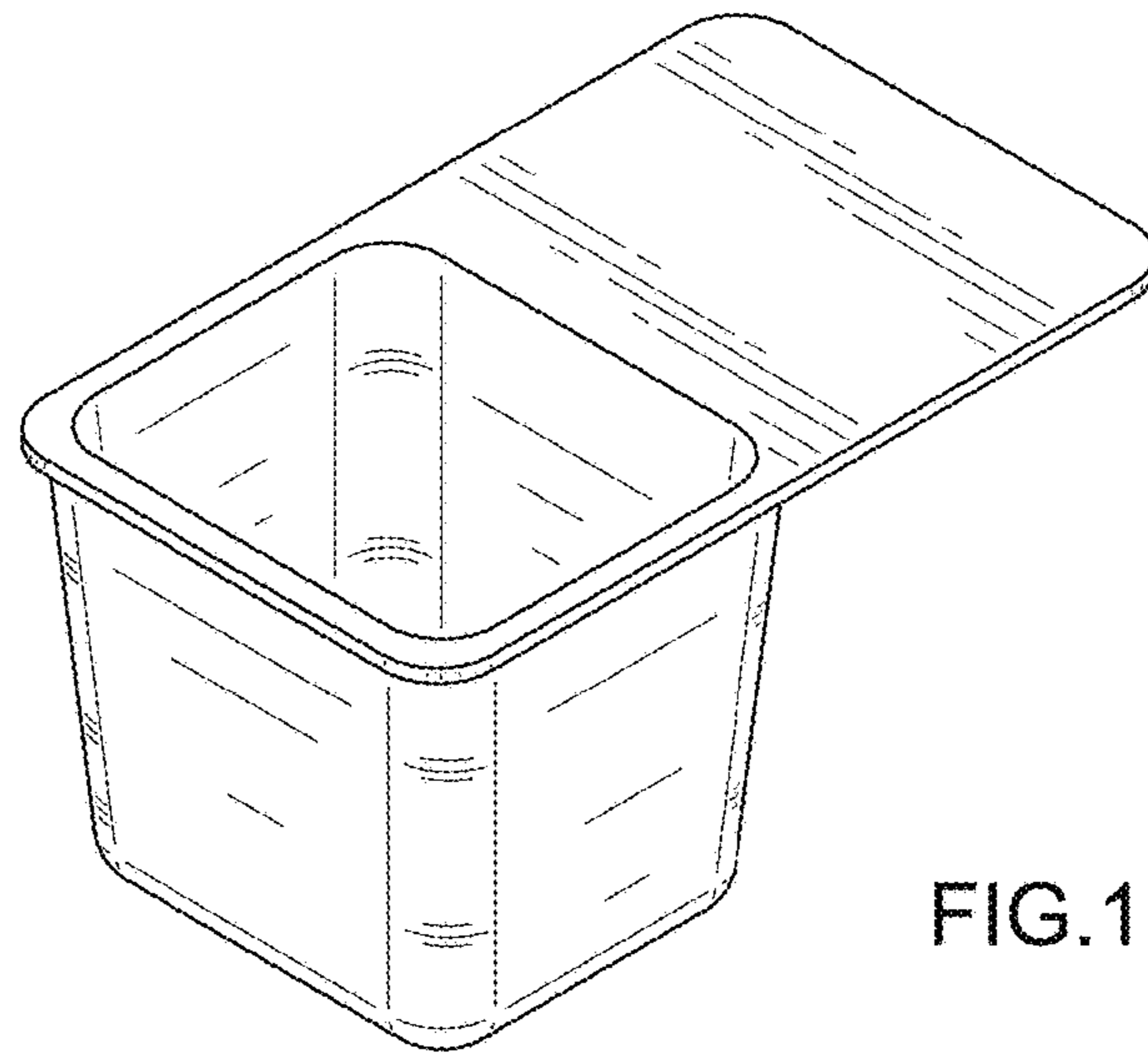


FIG.1

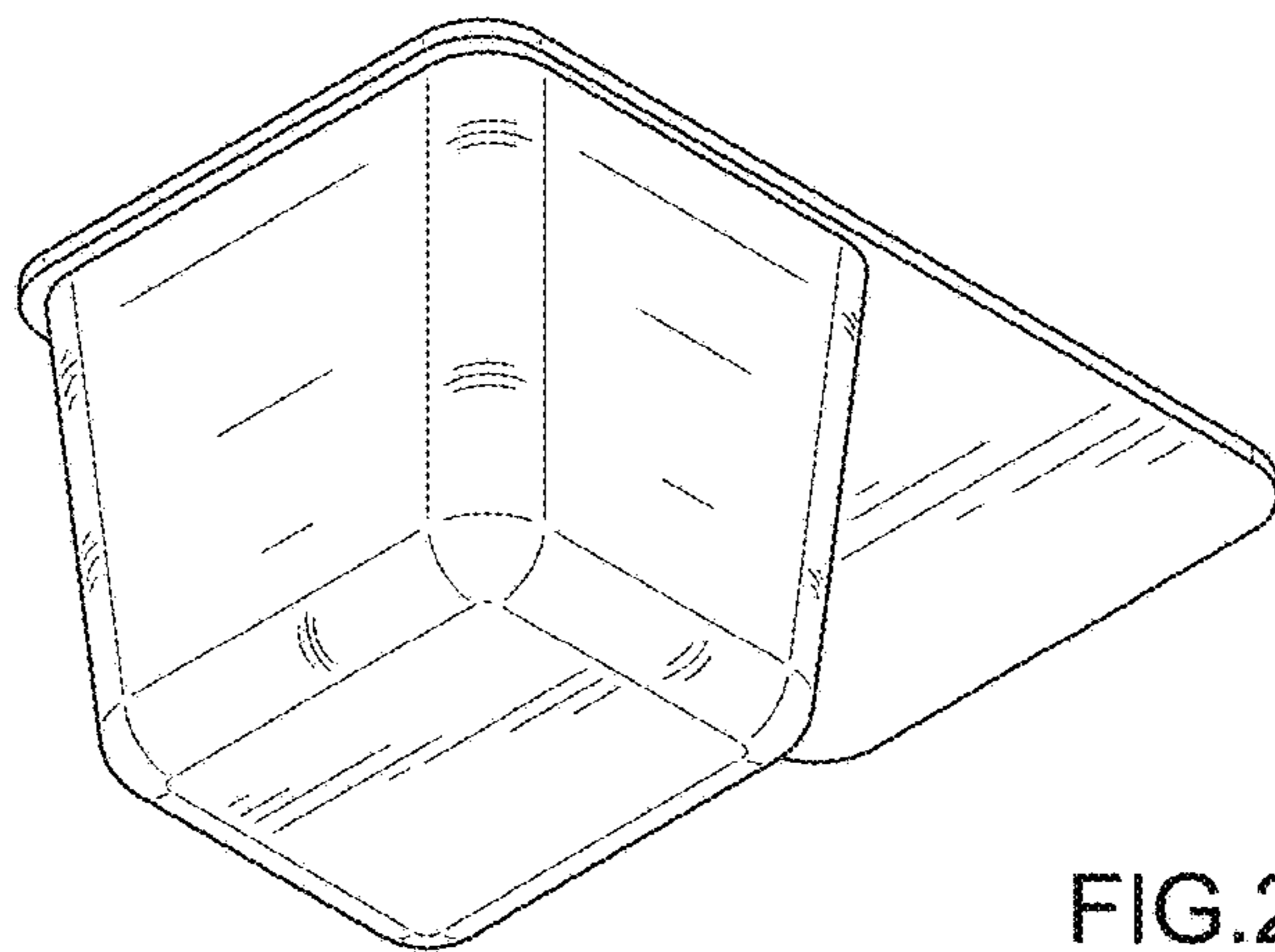


FIG.2

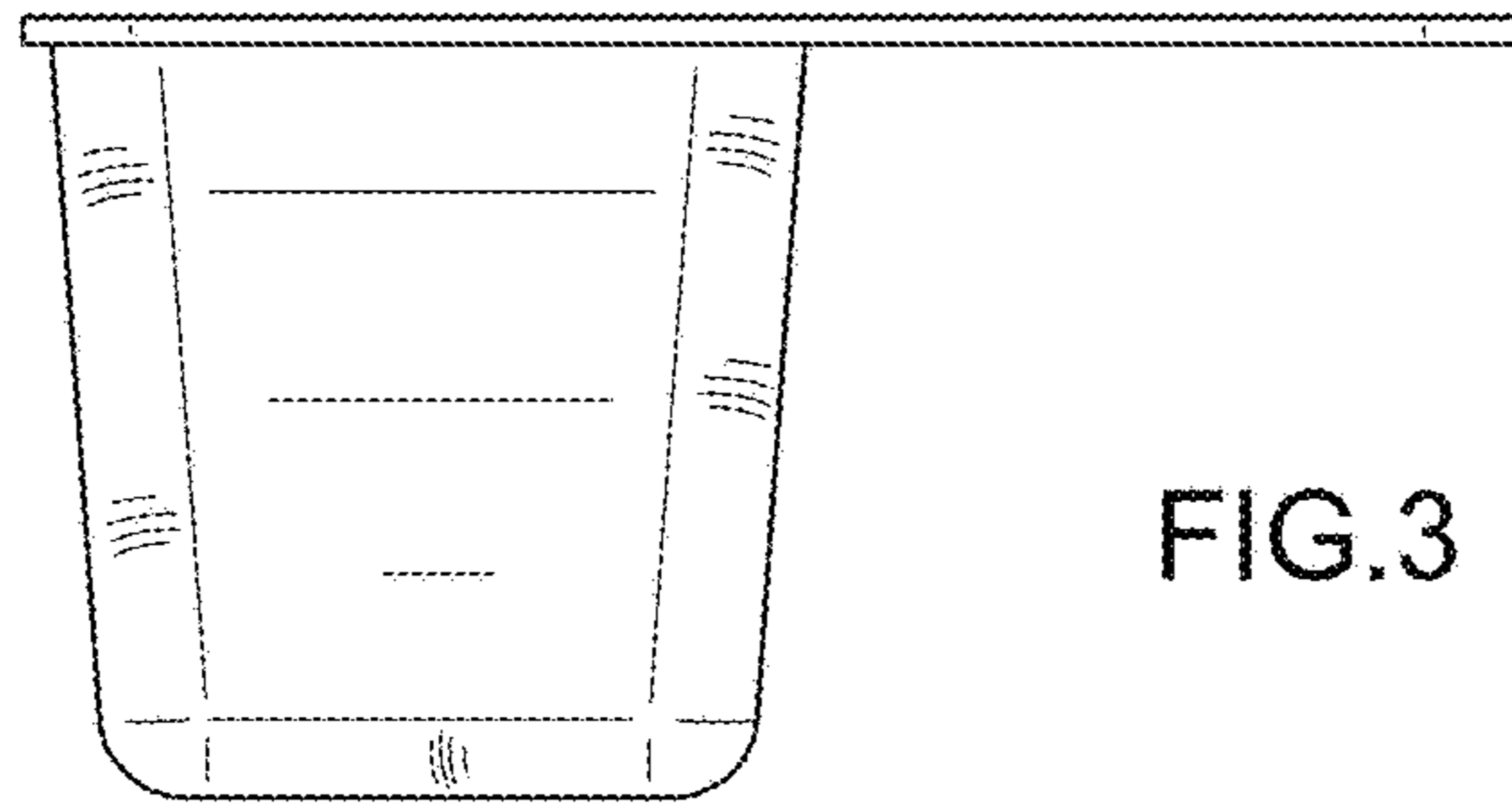


FIG.3

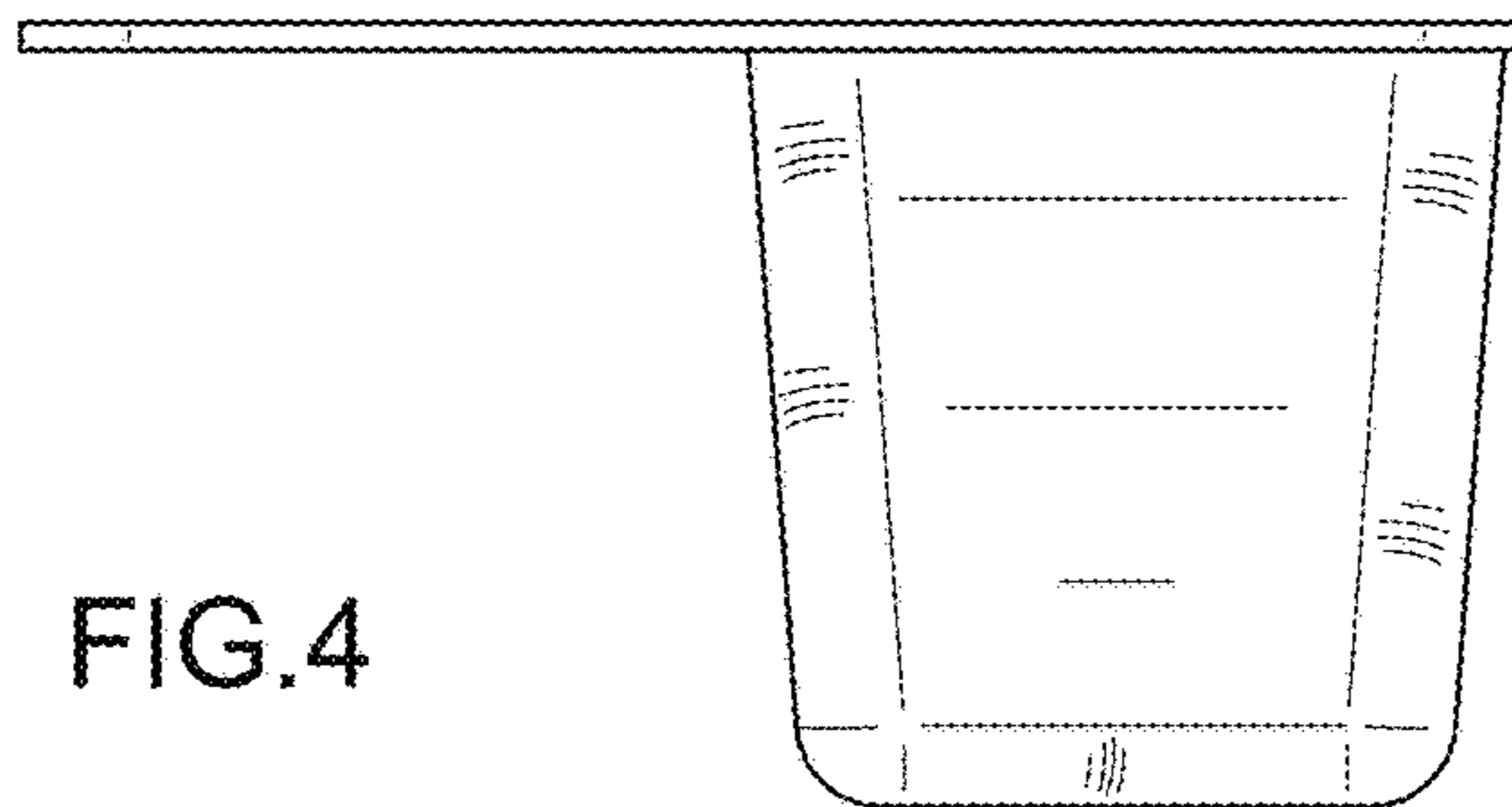


FIG.4

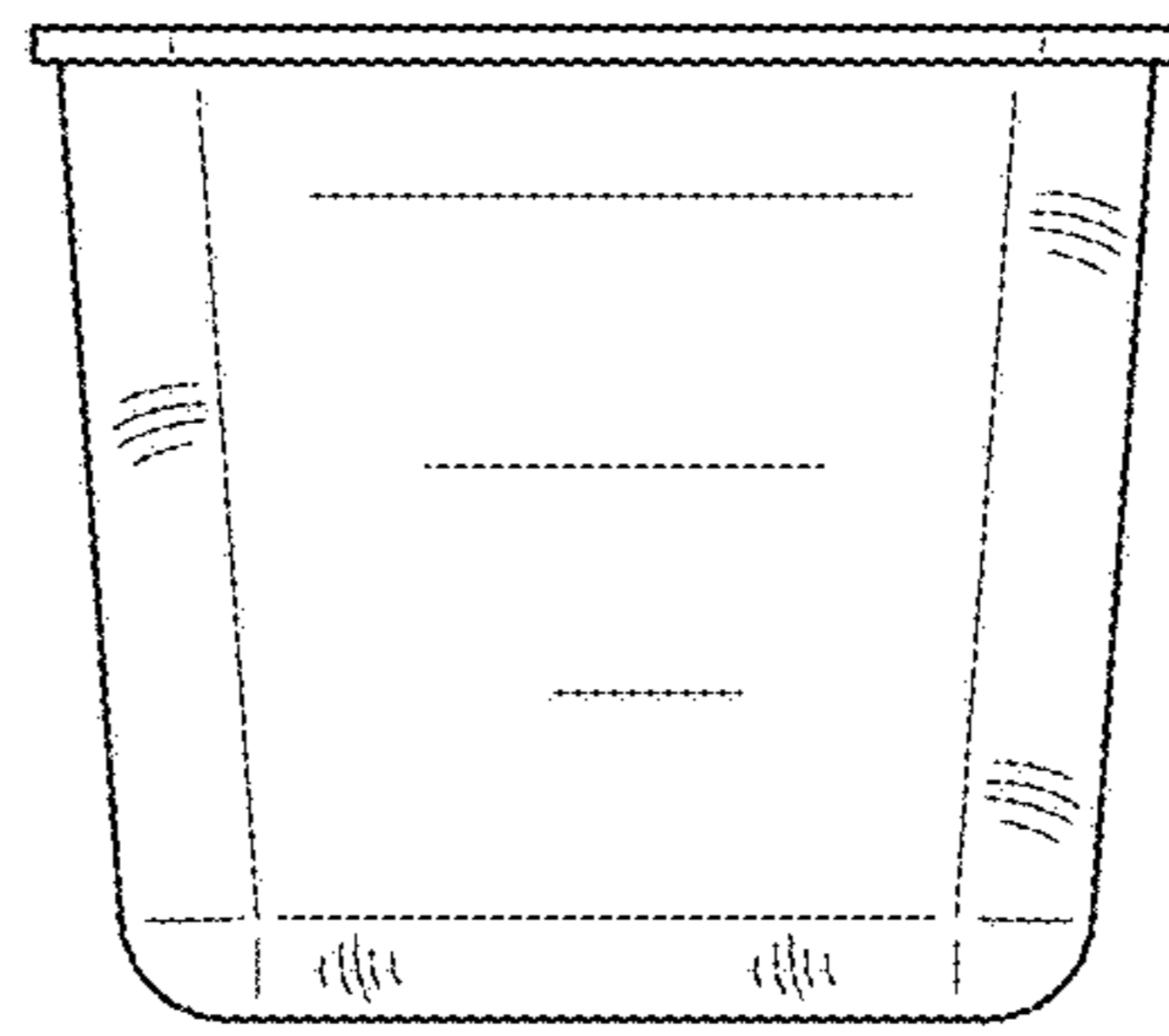


FIG. 5

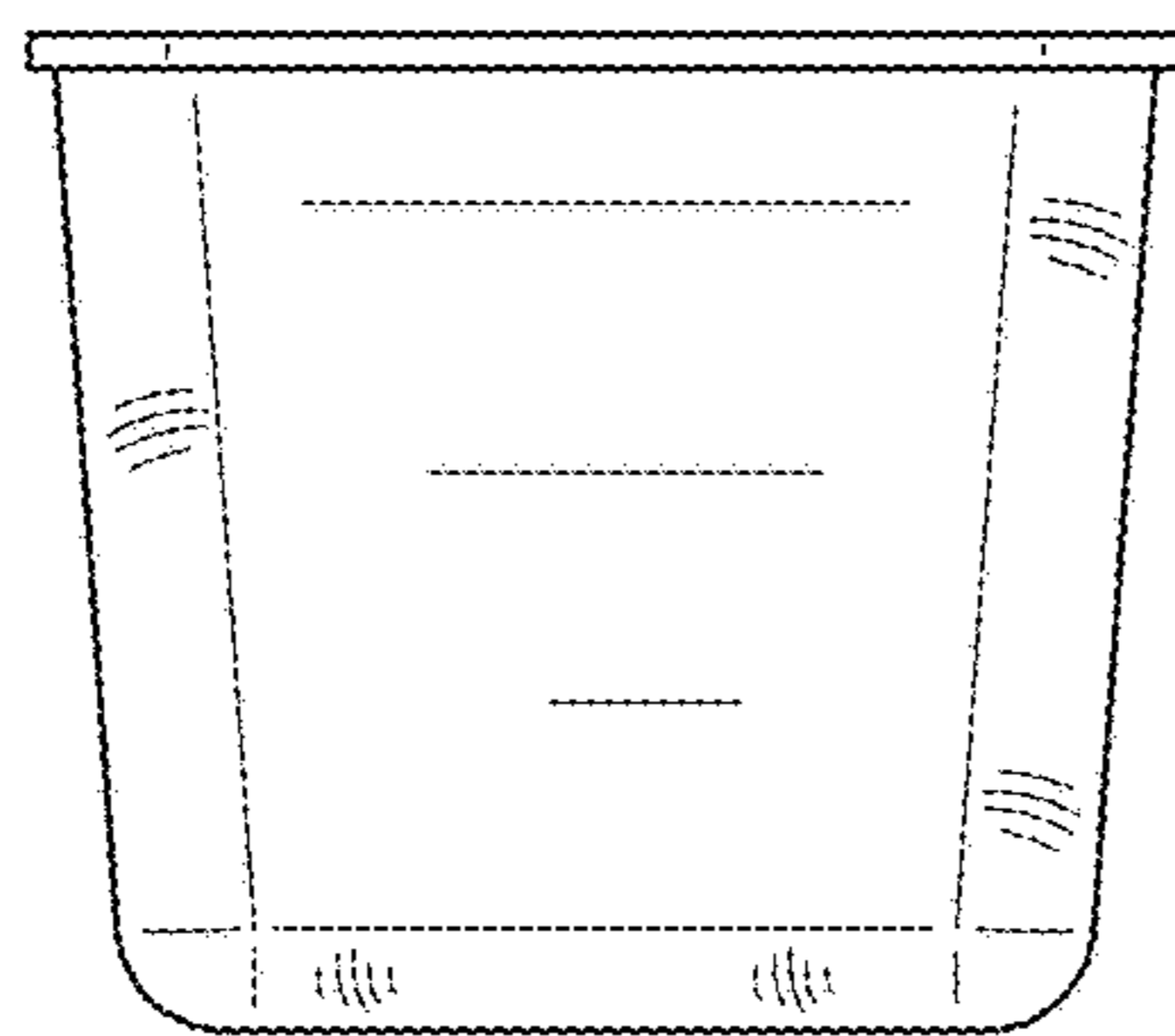


FIG. 6

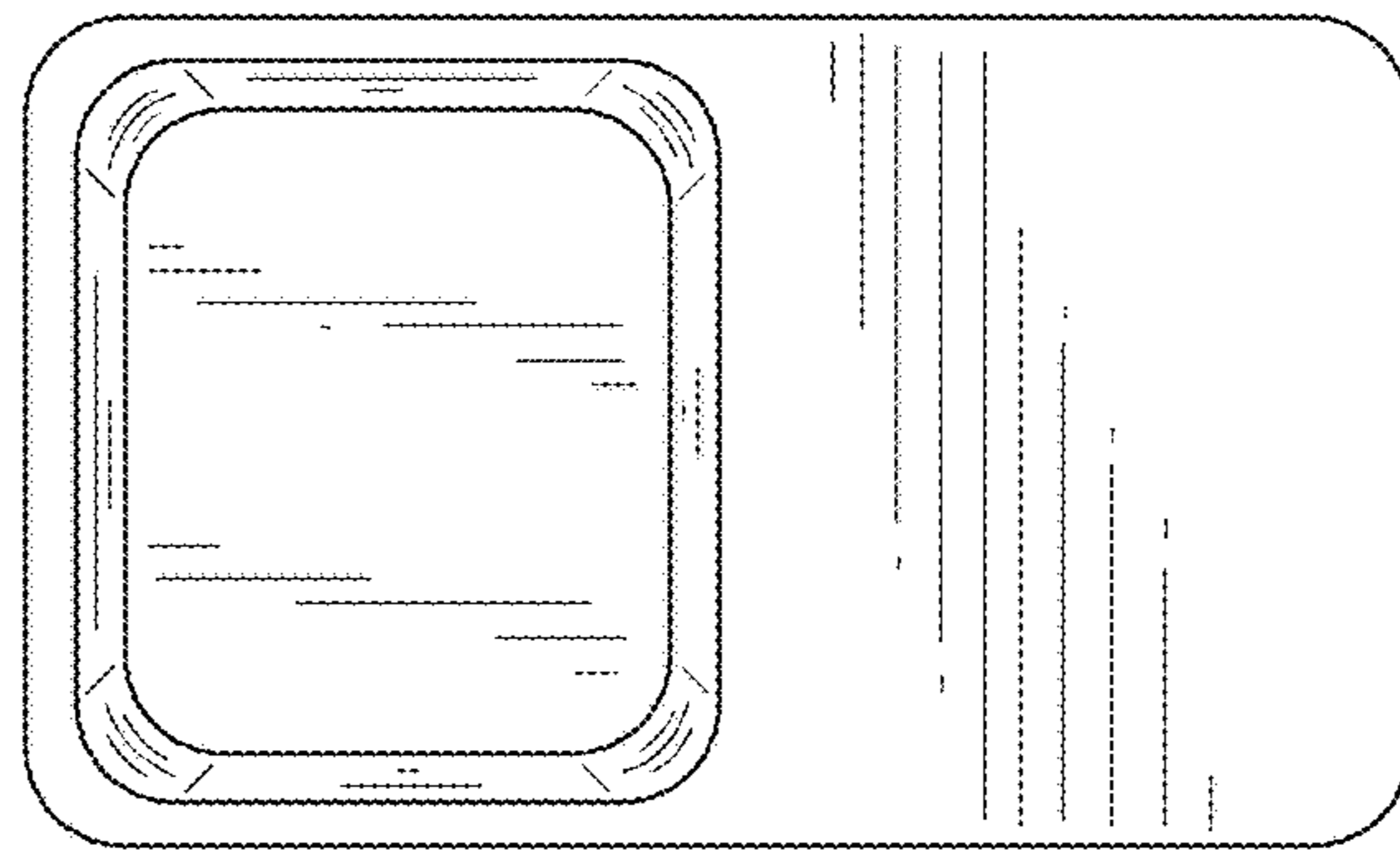


FIG. 7

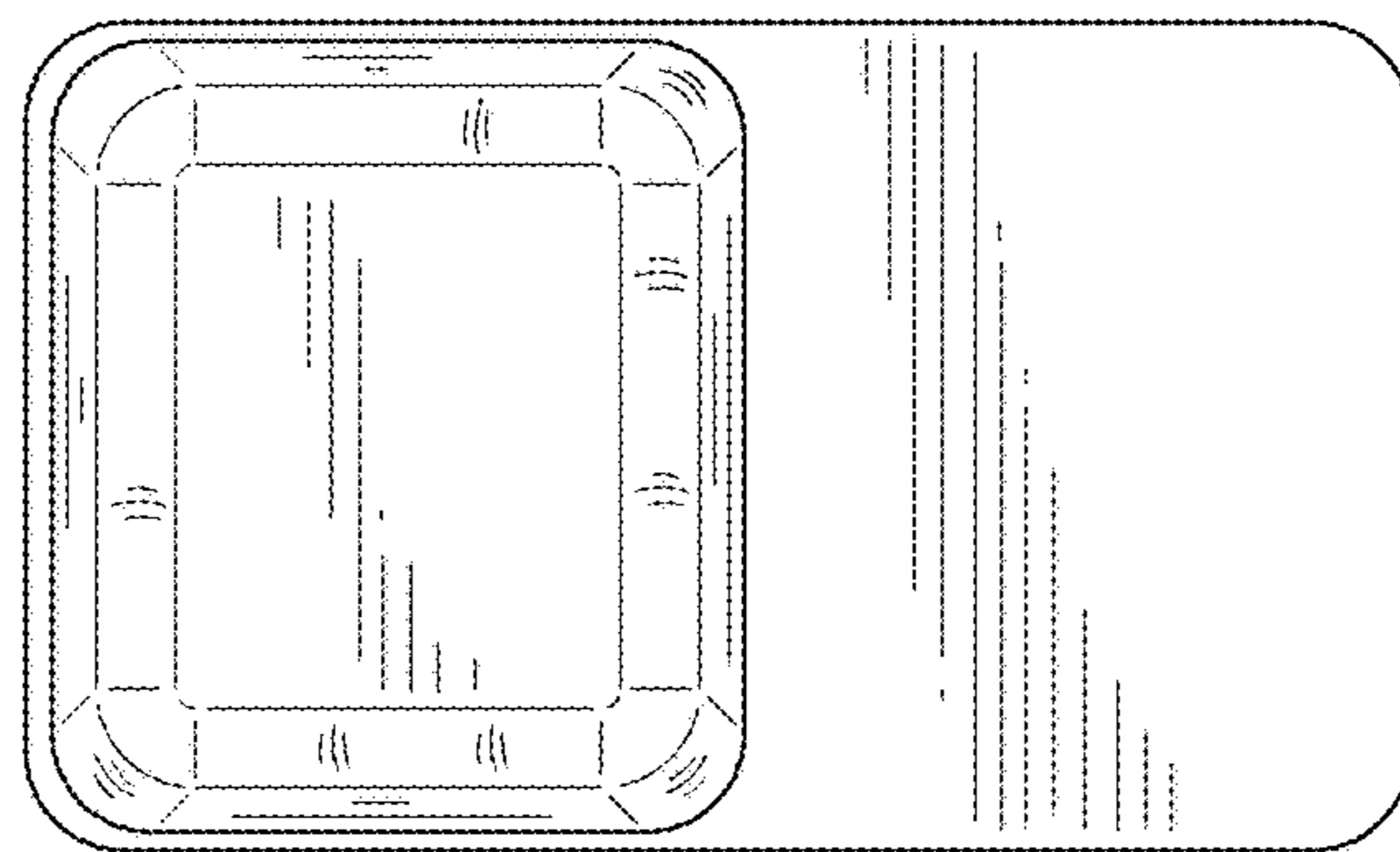


FIG. 8