



US00D842662S

(12) **United States Design Patent**  
**Bloch et al.**

(10) **Patent No.:** **US D842,662 S**  
(45) **Date of Patent:** **\*\* Mar. 12, 2019**

(54) **UTENSIL**

1,053,387 A \* 2/1913 Hawley ..... A47G 21/06  
30/147

(71) Applicant: **Outdoor Edge Cutlery Corporation,**  
Denver, CO (US)

(Continued)

(72) Inventors: **David R. Bloch,** Morrison, CO (US);  
**HouKun Liang,** Guangdong (CN)

*Primary Examiner* — Ricky Pham

(74) *Attorney, Agent, or Firm* — Lewis Brisbois Bisgaard  
& Smith LLP; Craig W. Mueller

(73) Assignee: **Outdoor Edge Cutlery Corp.,** Denver,  
CO (US)

(57) **CLAIM**

The ornamental design for a utensil, as shown and described.

(\*\*) Term: **15 Years**

**DESCRIPTION**

(21) Appl. No.: **29/621,716**

FIG. 1 is a front perspective view of the utensil showing the  
new design;

(22) Filed: **Oct. 11, 2017**

FIG. 2 is a rear perspective view thereof;

(51) **LOC (11) Cl.** ..... **07-03**

FIG. 3 is a front elevation view thereof;

(52) **U.S. Cl.**

FIG. 4 is a rear elevation view thereof;

USPC ..... **D7/643**; D7/401.2; D7/642; D7/653

FIG. 5 is a left elevation view thereof;

(58) **Field of Classification Search**

USPC ..... D7/154, 368, 401.2, 642–645, 653–664,

FIG. 6 is a right elevation view thereof;

D7/669, 675–677, 683, 688–689, 691;

FIG. 7 is a top plan view thereof;

D8/107, 300–301; D22/117–118

FIG. 8 is a bottom plan view thereof;

CPC ... A01D 9/02; A01D 9/04; A01D 9/06; A47G

FIG. 9 is a front perspective view of the utensil of FIG. 1 in  
a second position of use wherein the knife is deployed;

21/00; A47G 21/004; A47G 21/005;

FIG. 10 is a rear perspective view thereof;

A47G 21/02; A47G 21/023; A47G 21/04;

FIG. 11 is a front elevation view thereof;

A47G 21/06; A47G 21/08; A47G 21/10;

FIG. 12 is a rear elevation view thereof;

A47J 43/28; A47J 43/281; A47J 43/282;

FIG. 13 is a left elevation view thereof;

A61F 13/10; A61J 7/0023; B25G 1/00;

FIG. 14 is a right elevation view thereof;

B25G 1/01; B25G 1/02; B25G 3/00;

FIG. 15 is a top plan view thereof;

B26B 11/00; B65D 75/56; B65D 75/563;

FIG. 16 is a bottom plan view thereof;

B65D 75/566; B67B 7/00; B67B 7/724;

FIG. 17 is an exploded front perspective view of the utensil  
of FIG. 1 in a third position of use wherein the knife is  
deployed and the fork is removed from the spoon and knife  
sub-assembly;

B67B 7/73

FIG. 18 is an exploded rear perspective view thereof;

See application file for complete search history.

FIG. 19 is an exploded front elevation view thereof;

(56) **References Cited**

**U.S. PATENT DOCUMENTS**

34,712 A \* 3/1862 Gables ..... B26B 11/00

30/143

972,777 A \* 10/1910 Richardson ..... A47G 21/06

30/147

FIG. 20 is an exploded rear elevation view thereof;

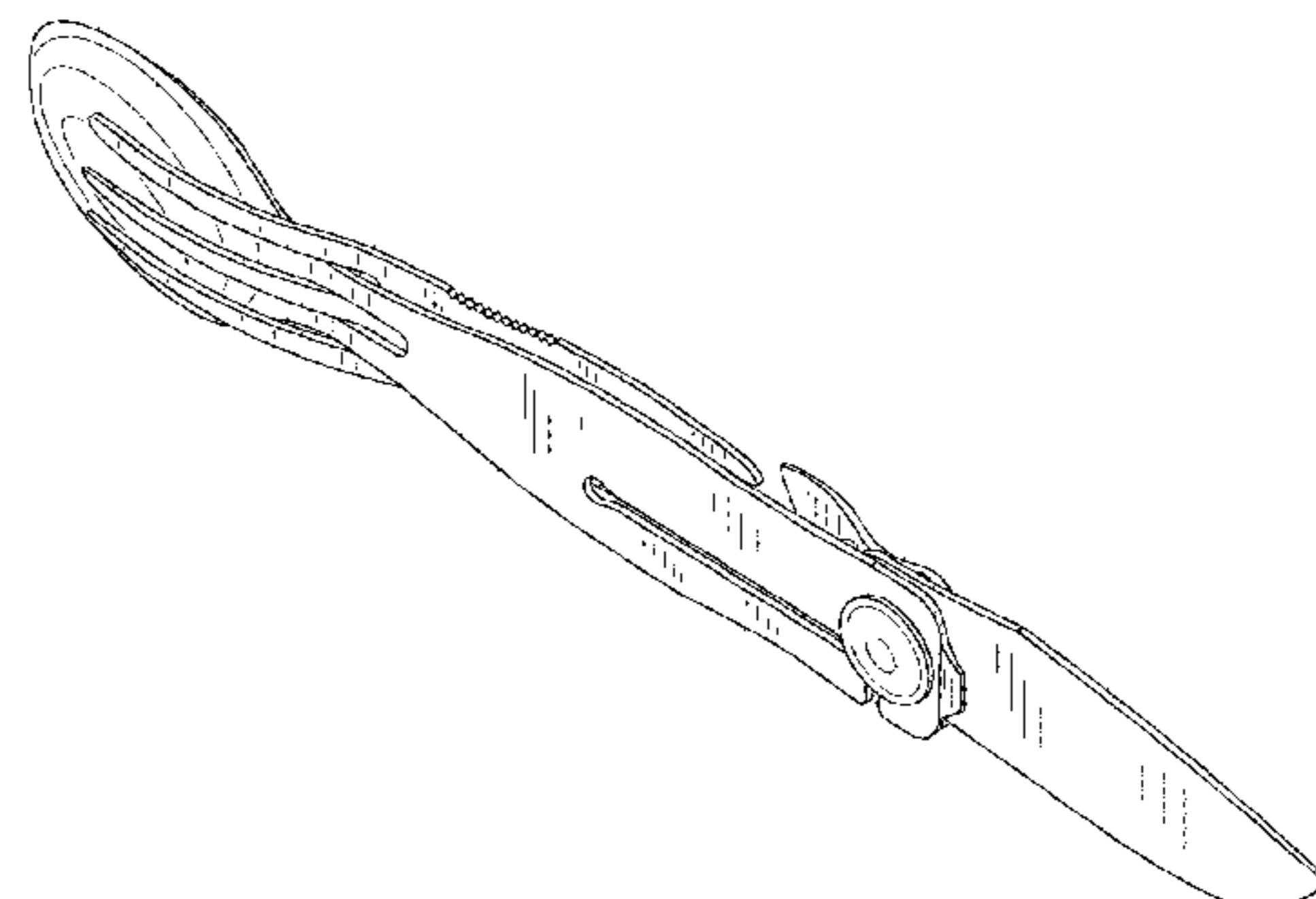
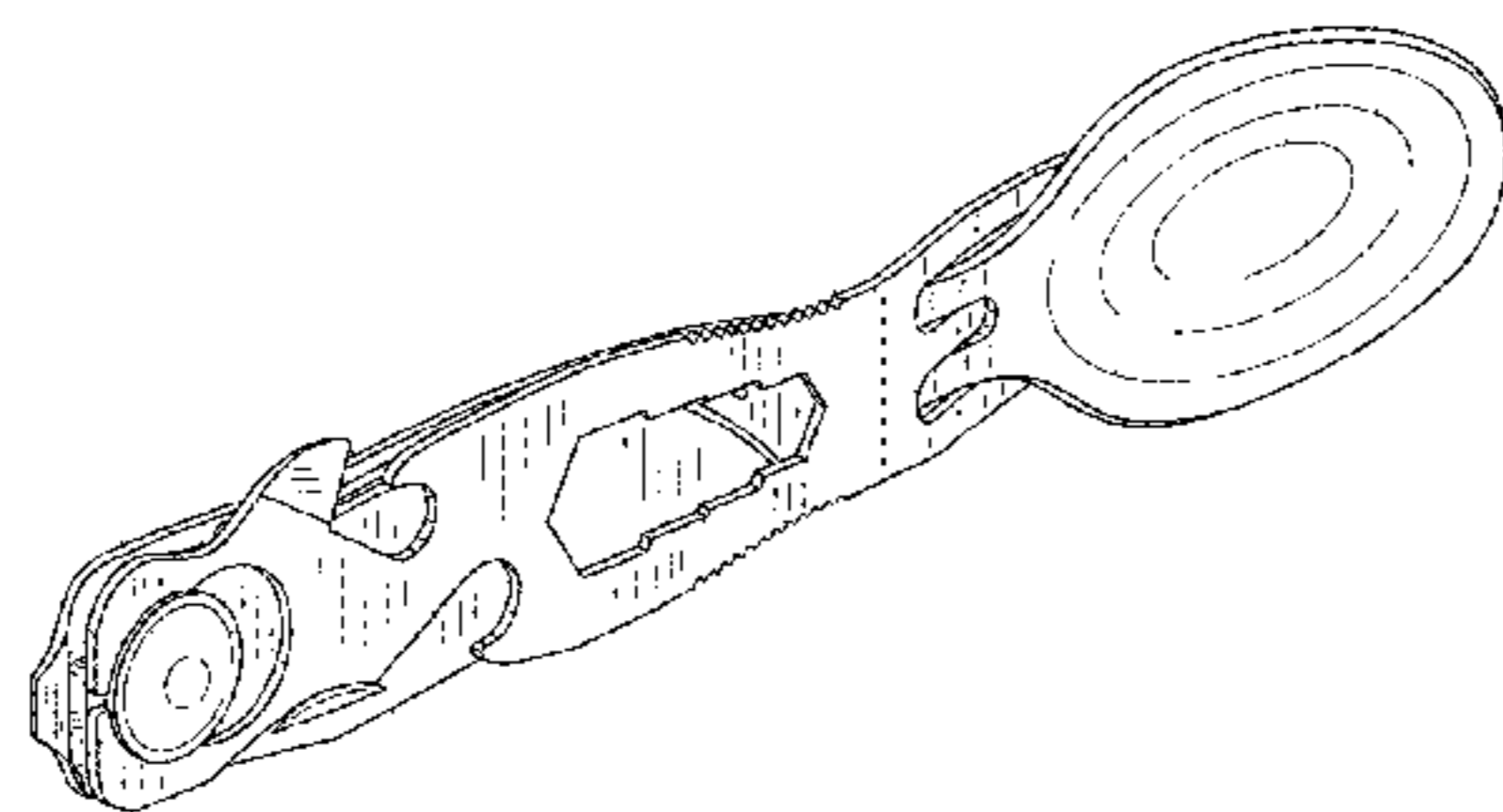
FIG. 21 is an exploded left elevation view thereof;

FIG. 22 is an exploded right elevation view thereof;

FIG. 23 is an exploded top plan view thereof; and,

FIG. 24 is an exploded bottom plan view thereof.

**1 Claim, 16 Drawing Sheets**



(56)

References Cited

U.S. PATENT DOCUMENTS

1,229,696	A *	6/1917	Woods	.....	B26B 11/00				
						30/143			
1,337,174	A *	4/1920	Whyte	.....	A47G 21/06				
						30/150			
1,372,325	A *	3/1921	Willemin	.....	A47G 21/06				
						30/143			
1,425,750	A *	8/1922	Crawford	.....	A47G 21/06				
						30/148			
2,010,074	A *	8/1935	Fuerst	.....	A47G 21/10				
						294/99.2			
2,318,129	A *	5/1943	Torode	.....	A47G 21/06				
						30/147			
2,470,492	A *	5/1949	Jenkins	.....	A47G 21/06				
						30/147			
3,771,224	A *	11/1973	Bono, Jr.	.....	A47G 21/02				
						30/148			
D342,422	S *	12/1993	Sanford	.....	D7/643				
5,845,403	A *	12/1998	Nivin	.....	A47G 21/06				
						30/147			
D414,988	S *	10/1999	Santini	.....				30/150	
6,105,259	A *	8/2000	Meyers	.....	A47G 21/02				
								30/150	
D575,593	S *	8/2008	Svartstrom	.....				D7/644	
D608,602	S *	1/2010	Davies	.....				D7/642	
D609,060	S *	2/2010	Pallotto	.....				D7/642	
D656,799	S *	4/2012	Lebeau	.....				D7/644	
D722,837	S *	2/2015	Miksovsky	.....				D7/643	
D741,116	S *	10/2015	Mundhra	.....				D7/643	
D746,644	S *	1/2016	Cai	.....	A47G 21/06				
								D7/643	
D753,447	S *	4/2016	Busboom	.....	B26B 11/00				
								D7/642	
D758,808	S *	6/2016	Gatewood	.....	A47G 21/06				
								D7/642	
D794,400	S *	8/2017	Young	.....	A47G 21/06				
								D7/643	
D813,616	S *	3/2018	Mundhra	.....	B26B 11/00				
								D7/643	

\* cited by examiner

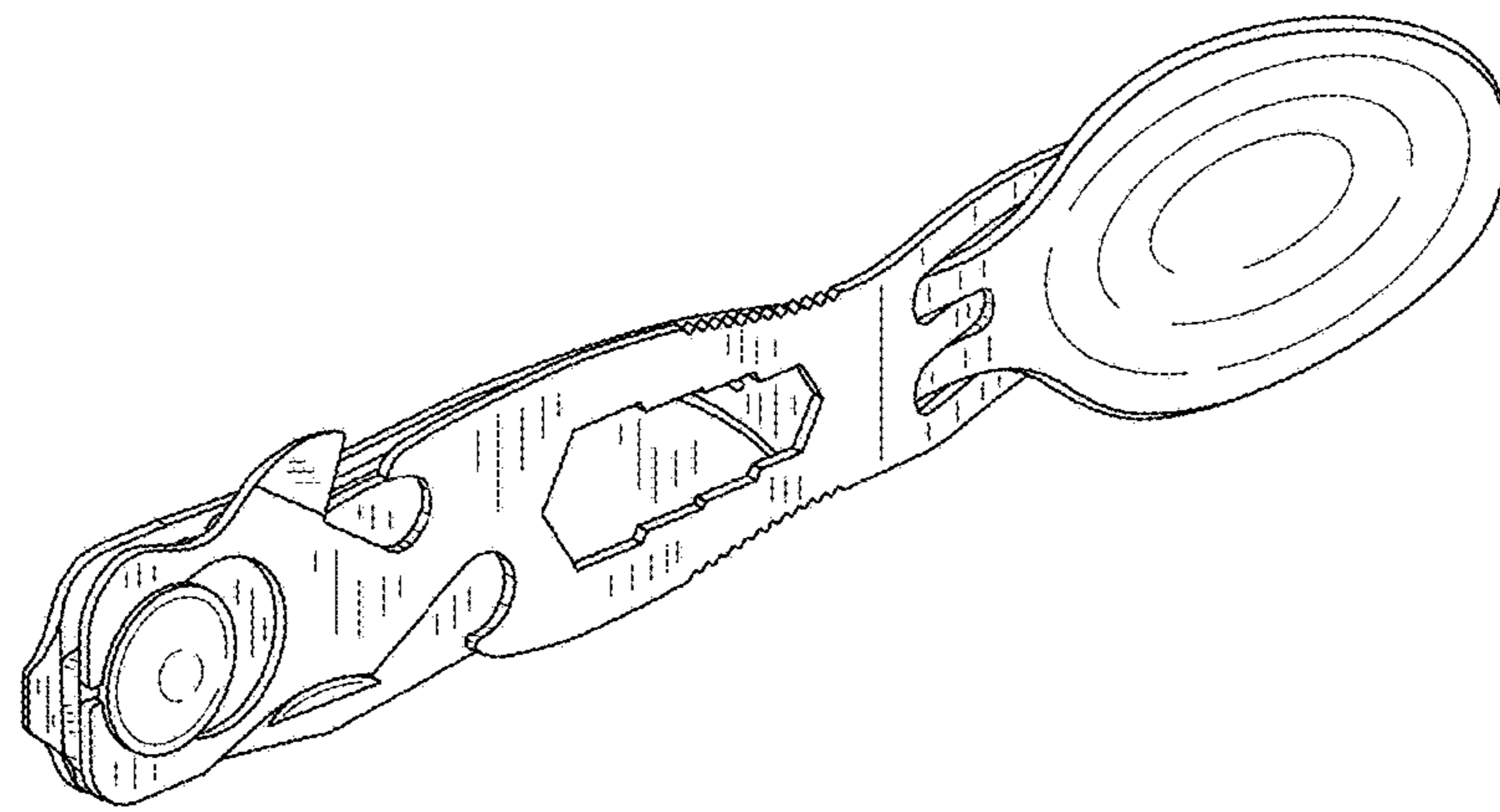


FIG. 1

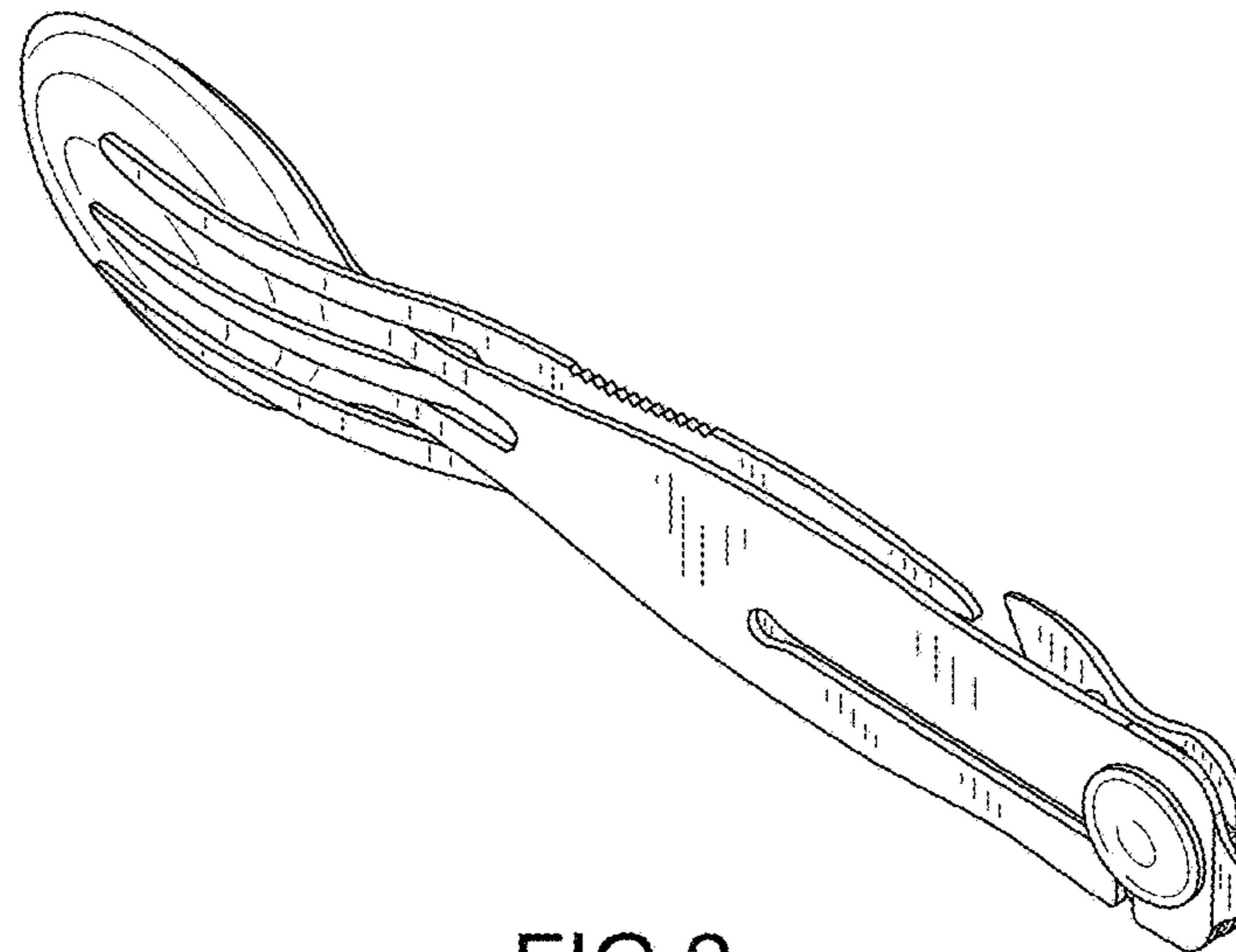


FIG. 2

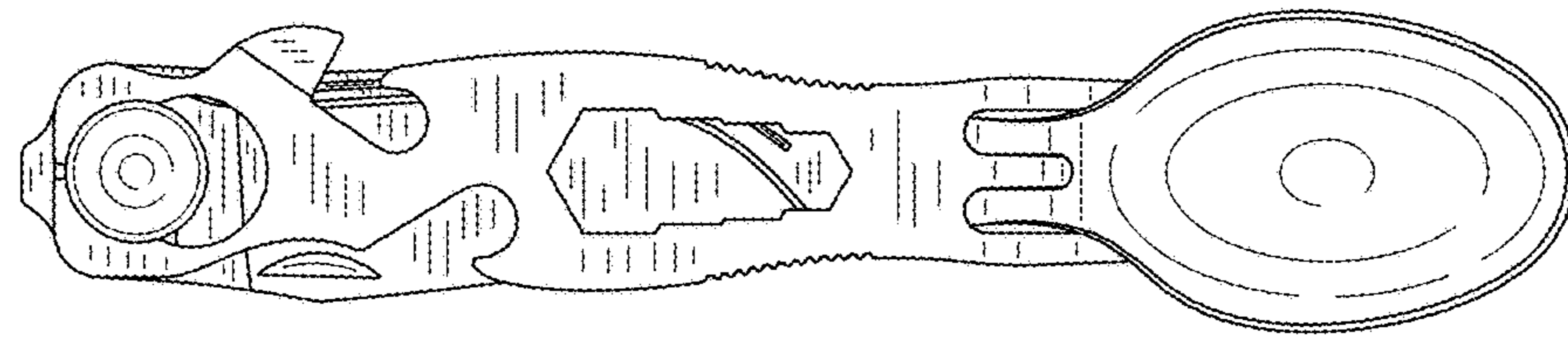


FIG.3

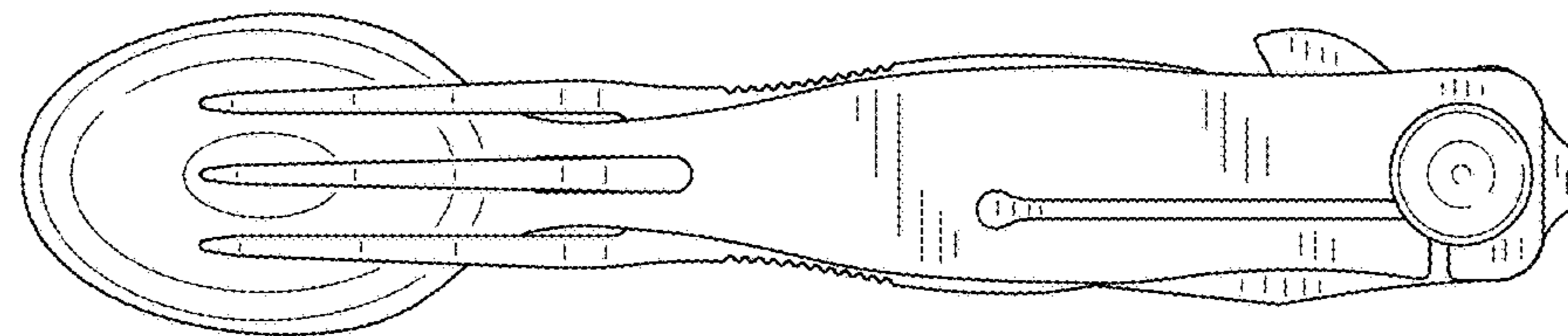


FIG.4

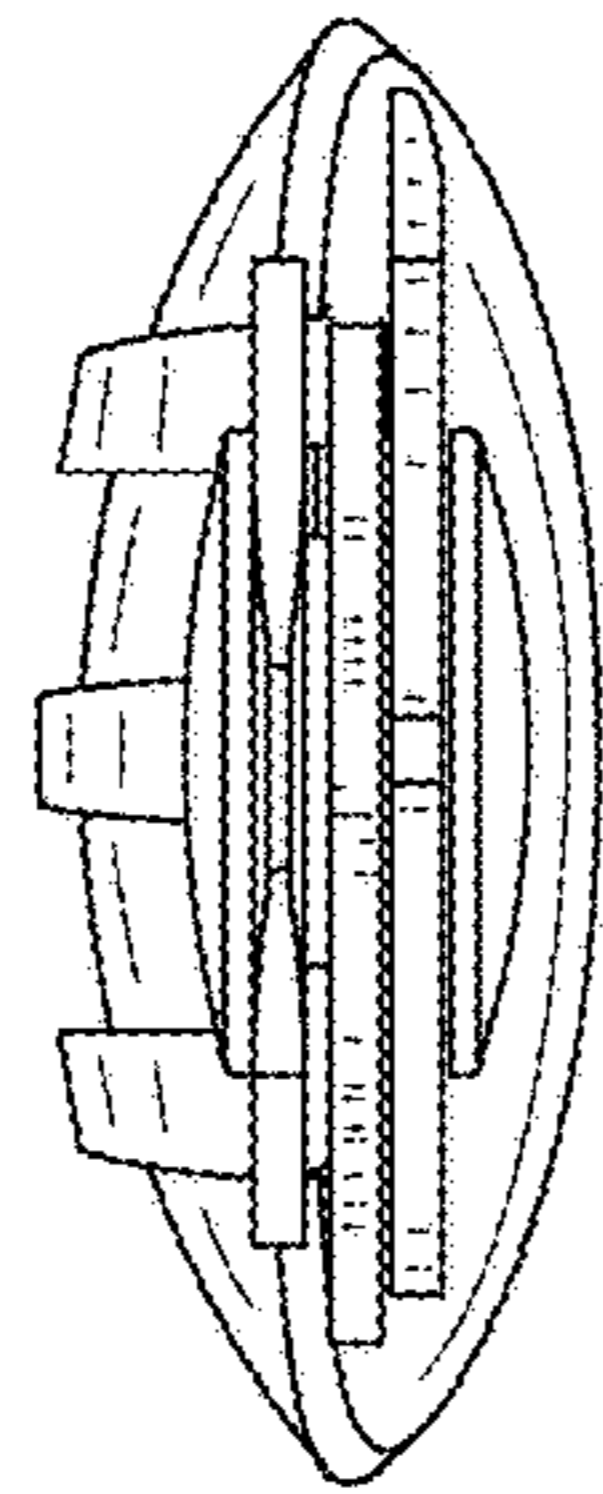


FIG. 5

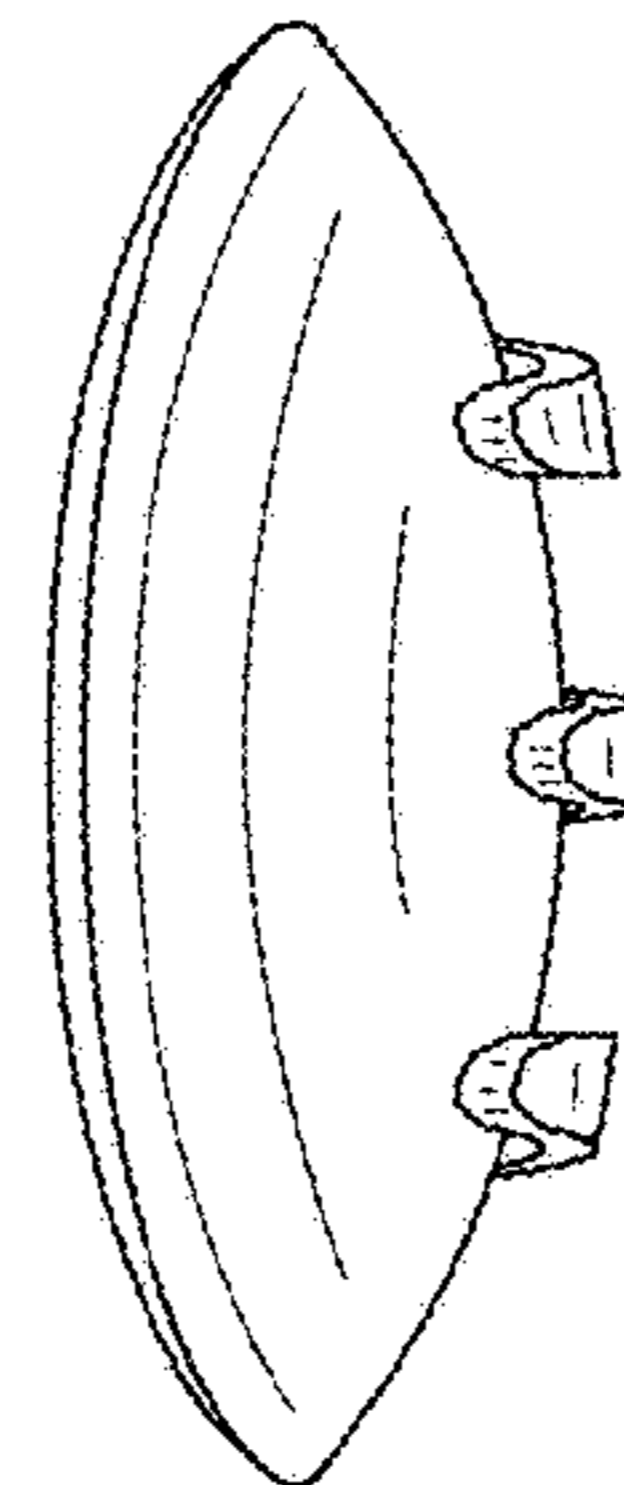


FIG. 6

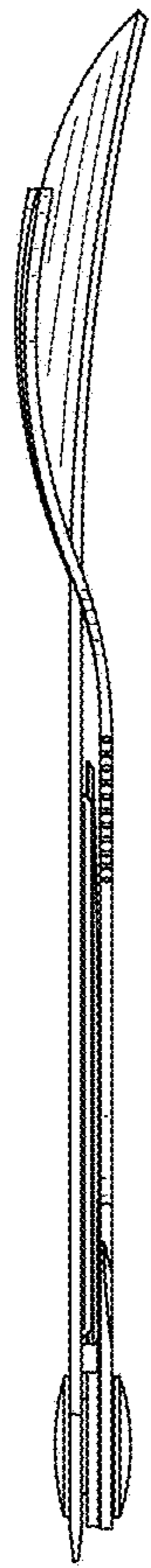


FIG. 7

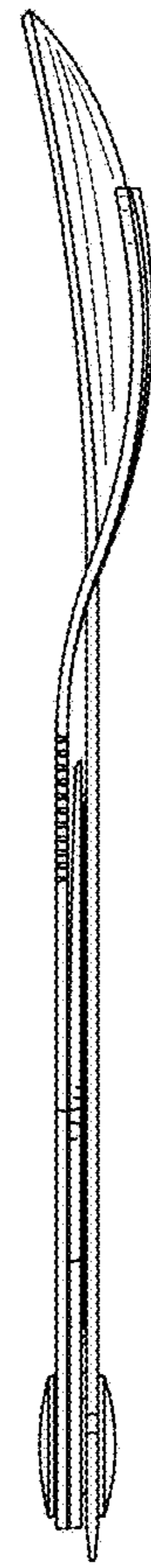
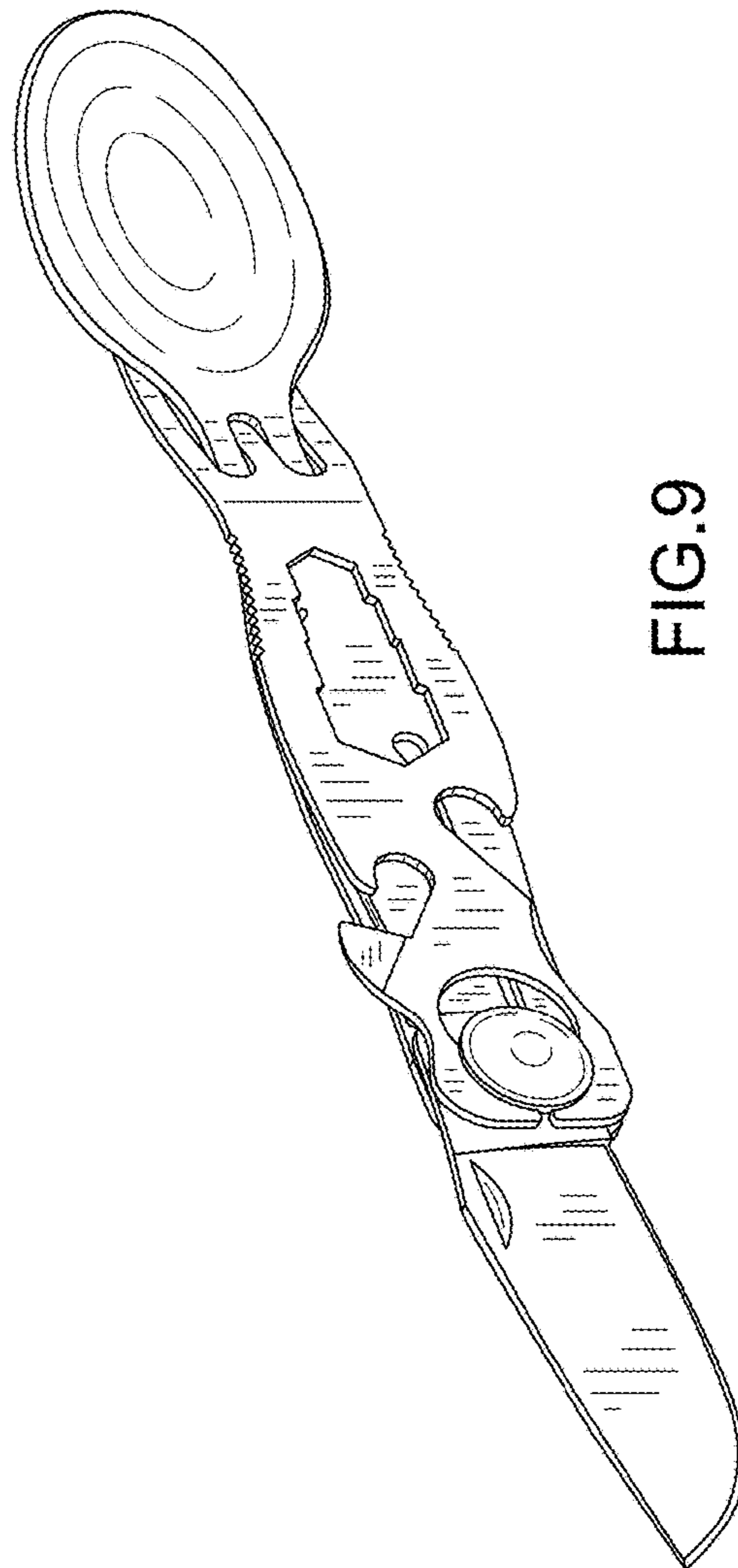


FIG. 8



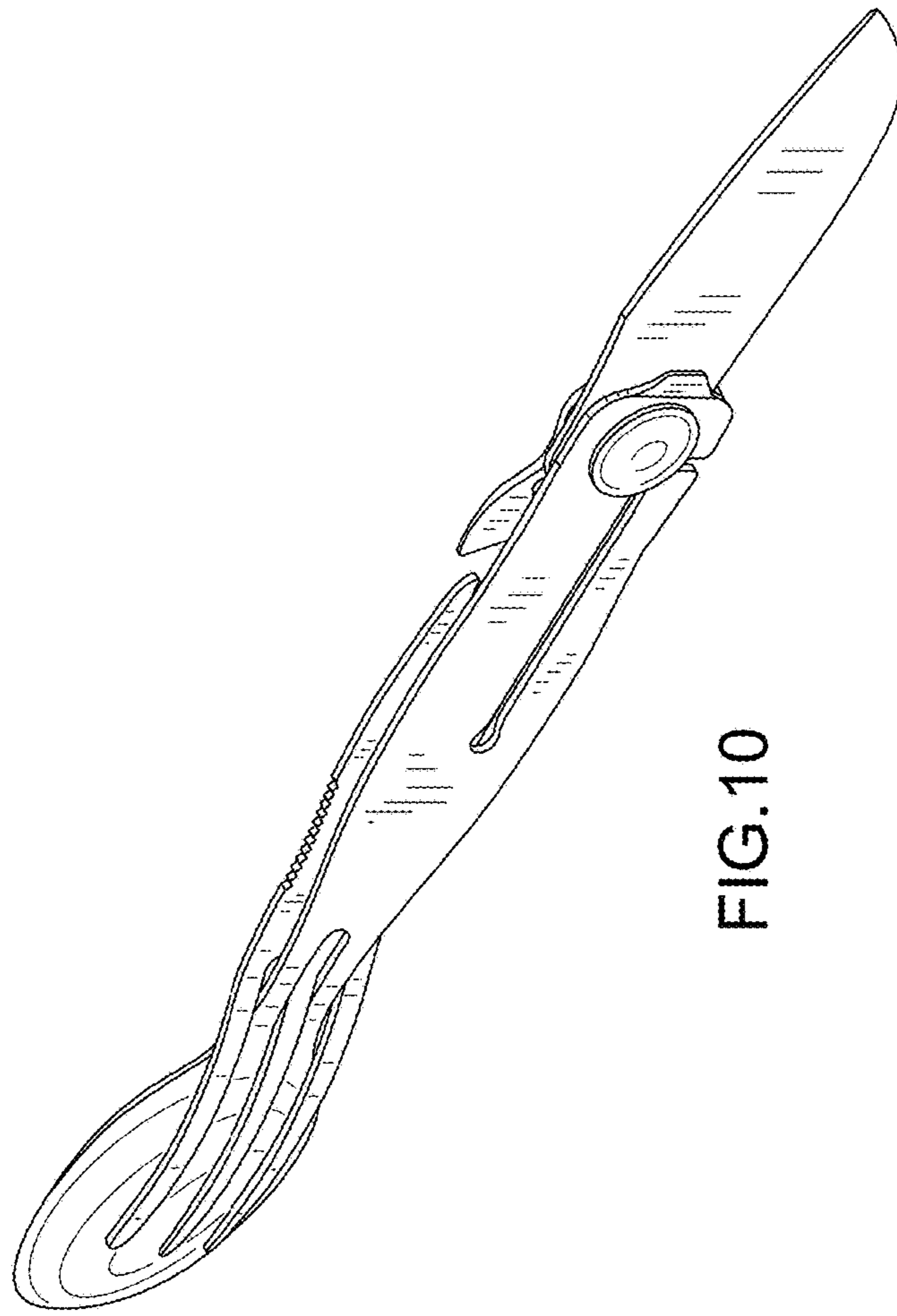


FIG.10



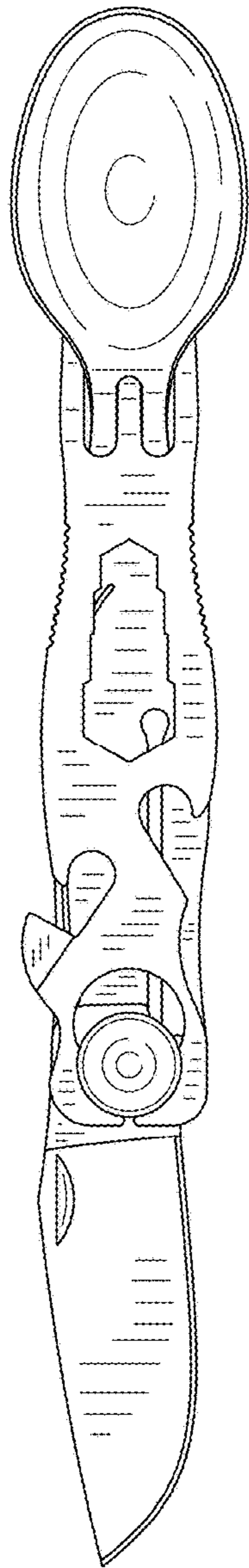


FIG. 11

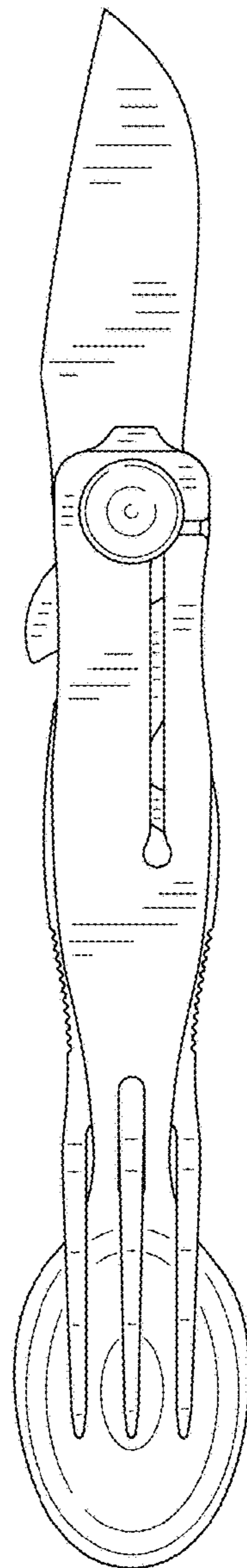


FIG. 12

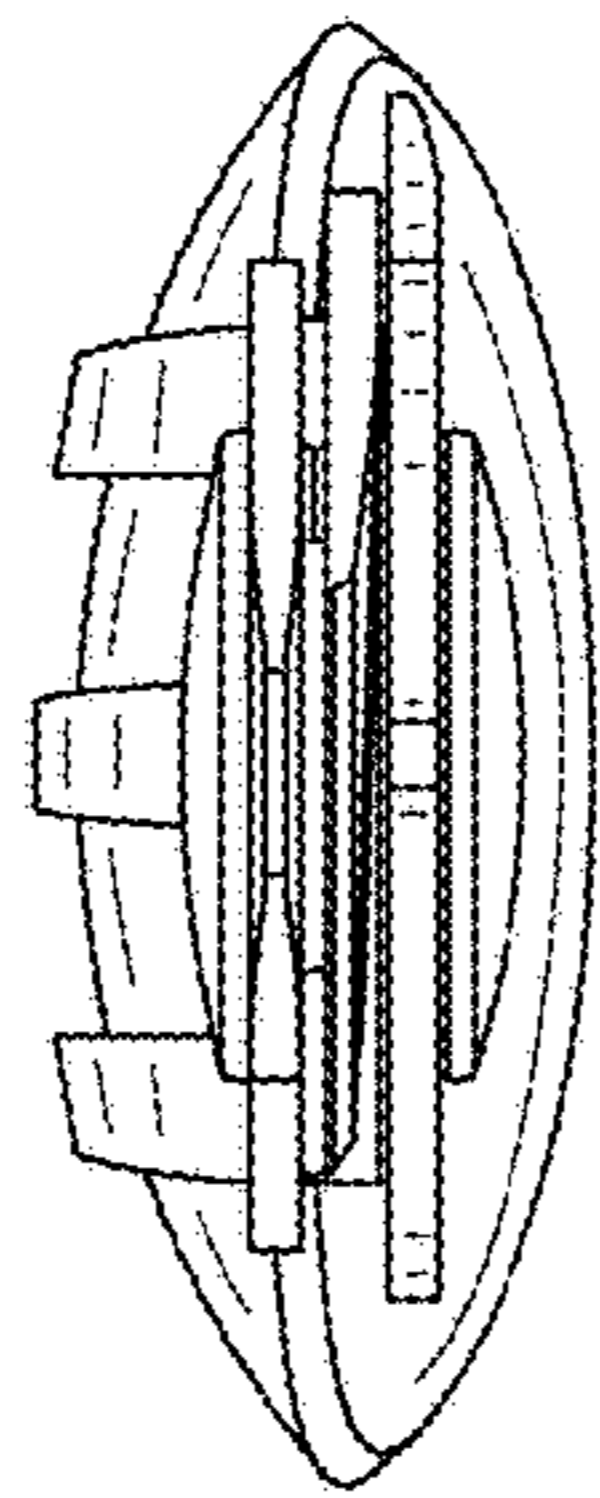


FIG.13

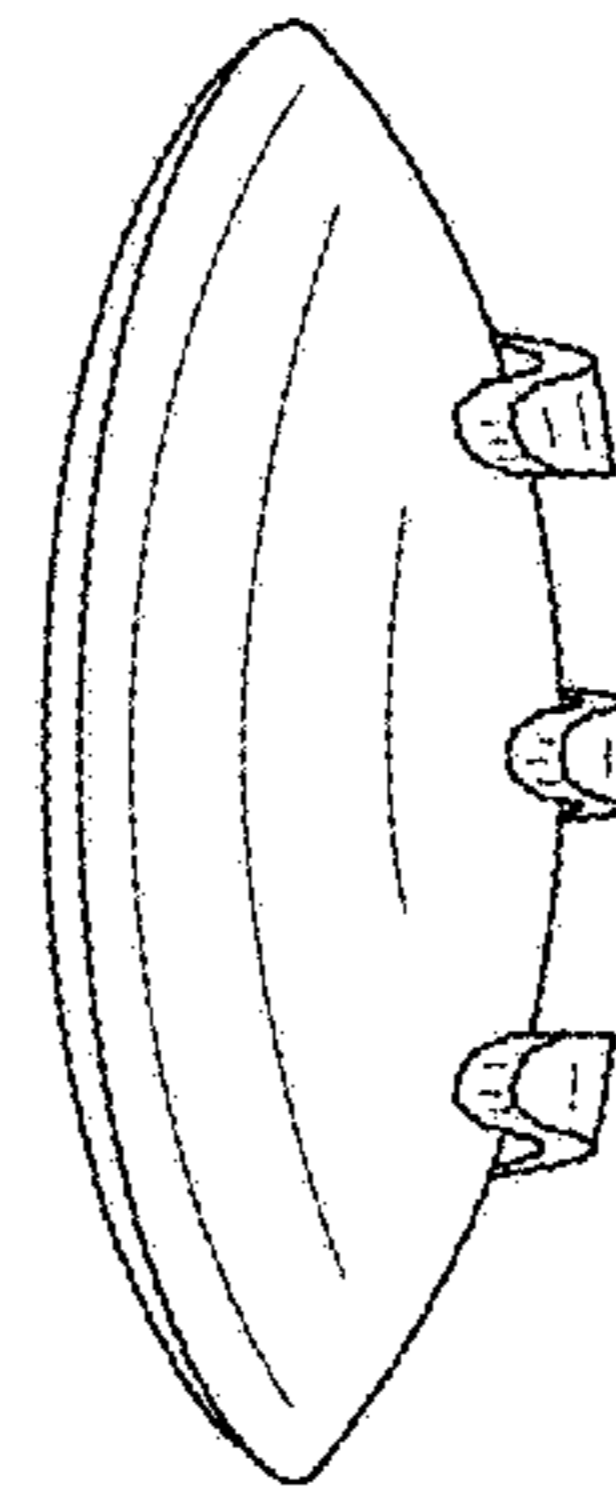


FIG.14

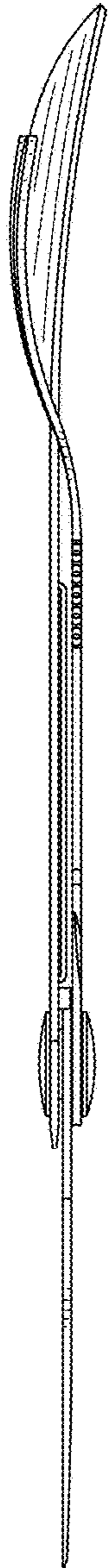


FIG. 15

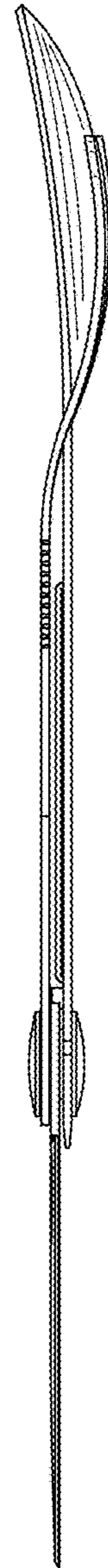


FIG. 16

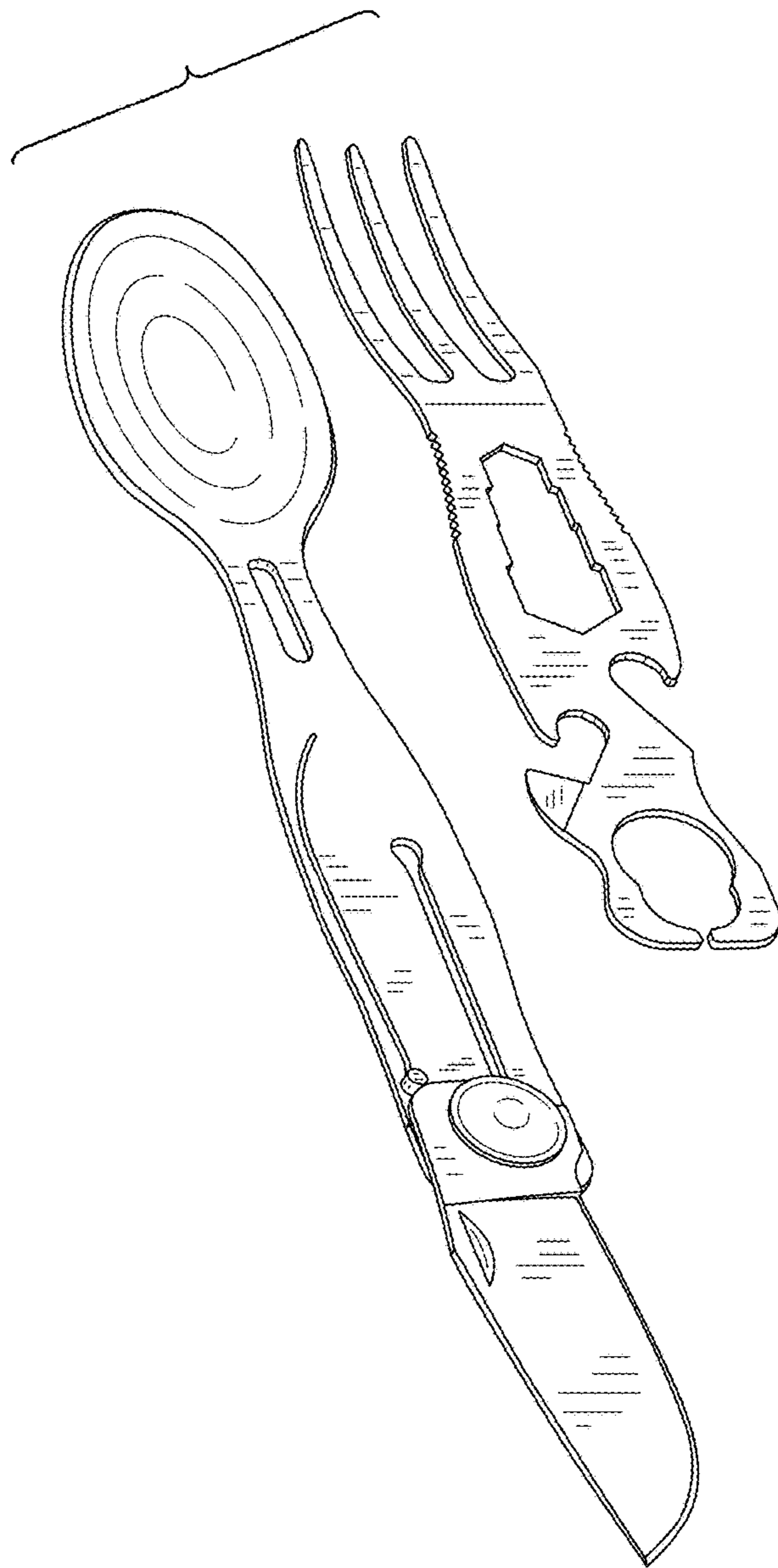


FIG.17

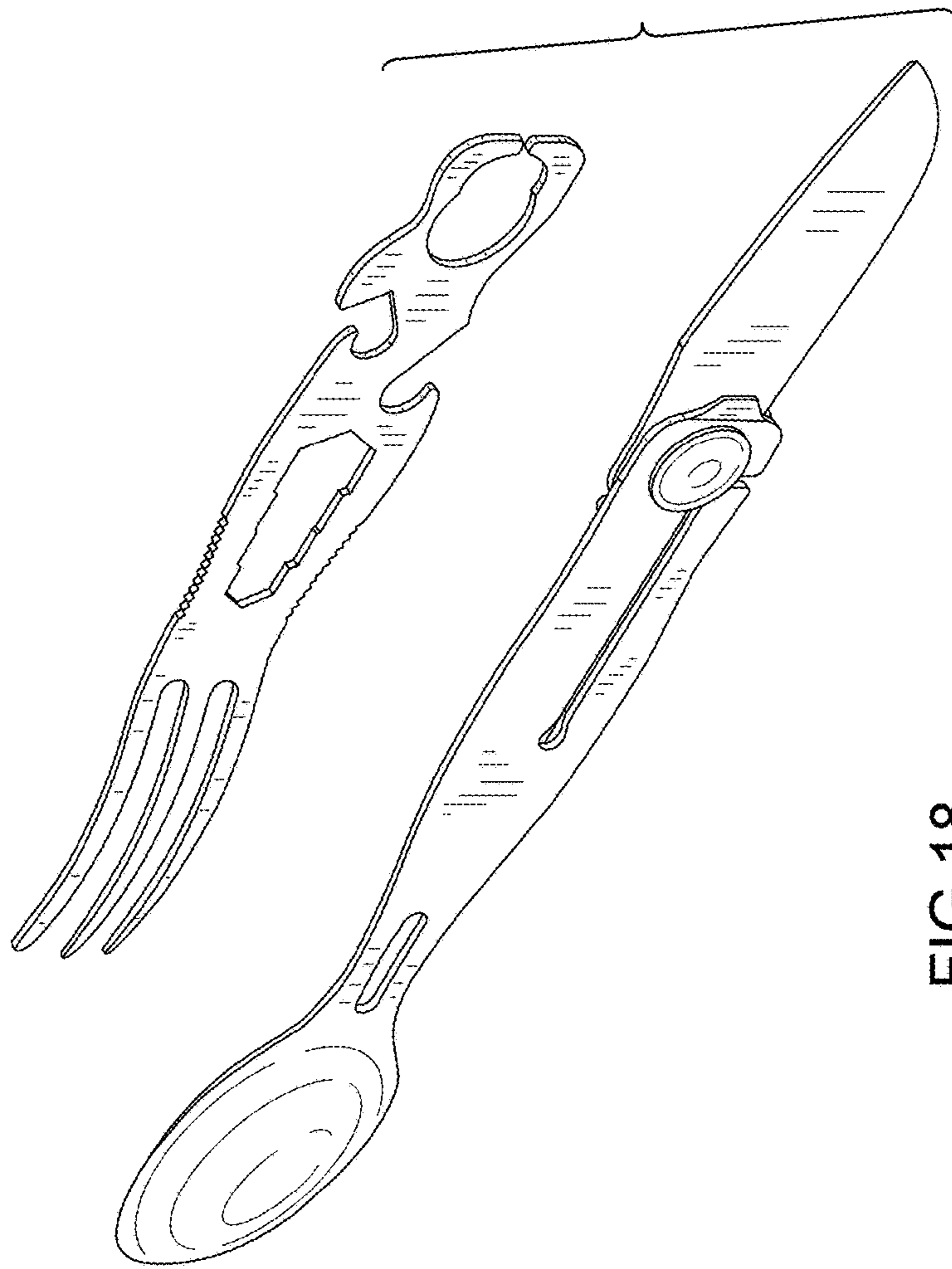


FIG.18

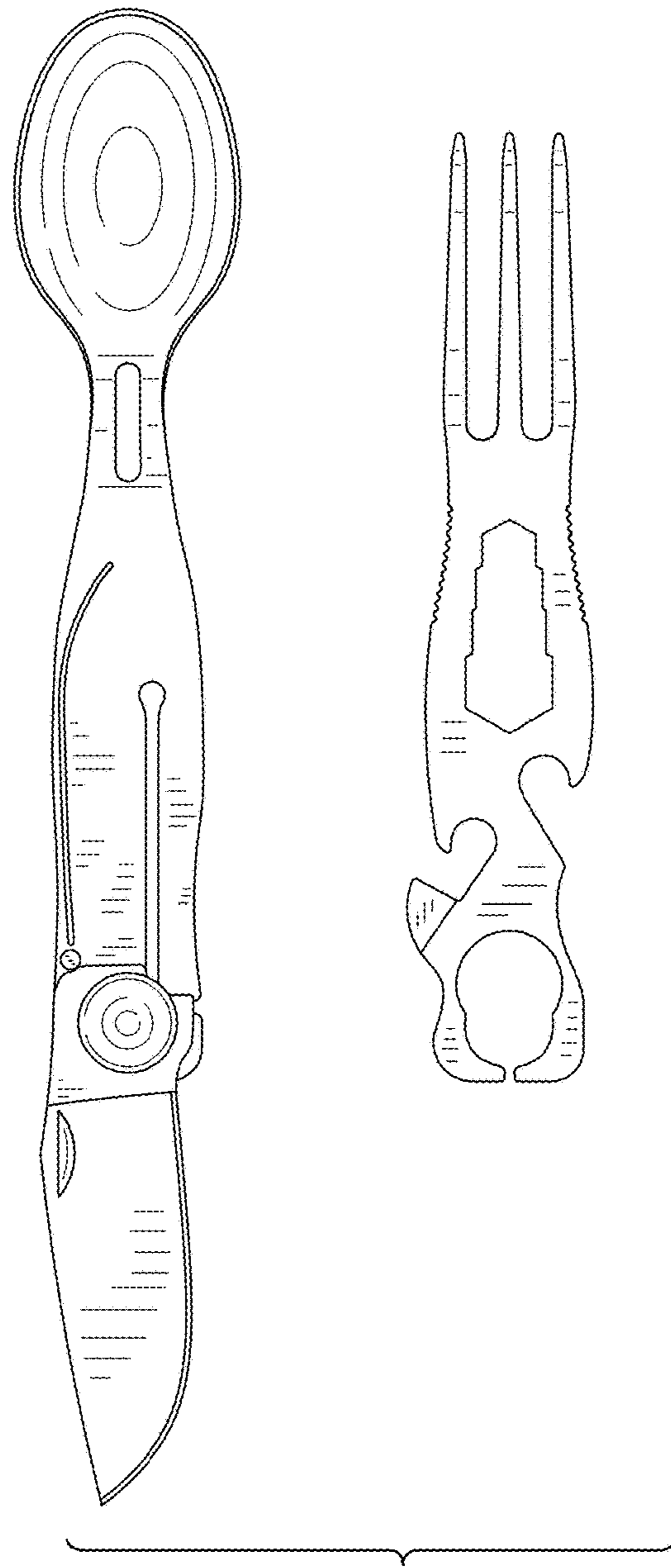


FIG.19

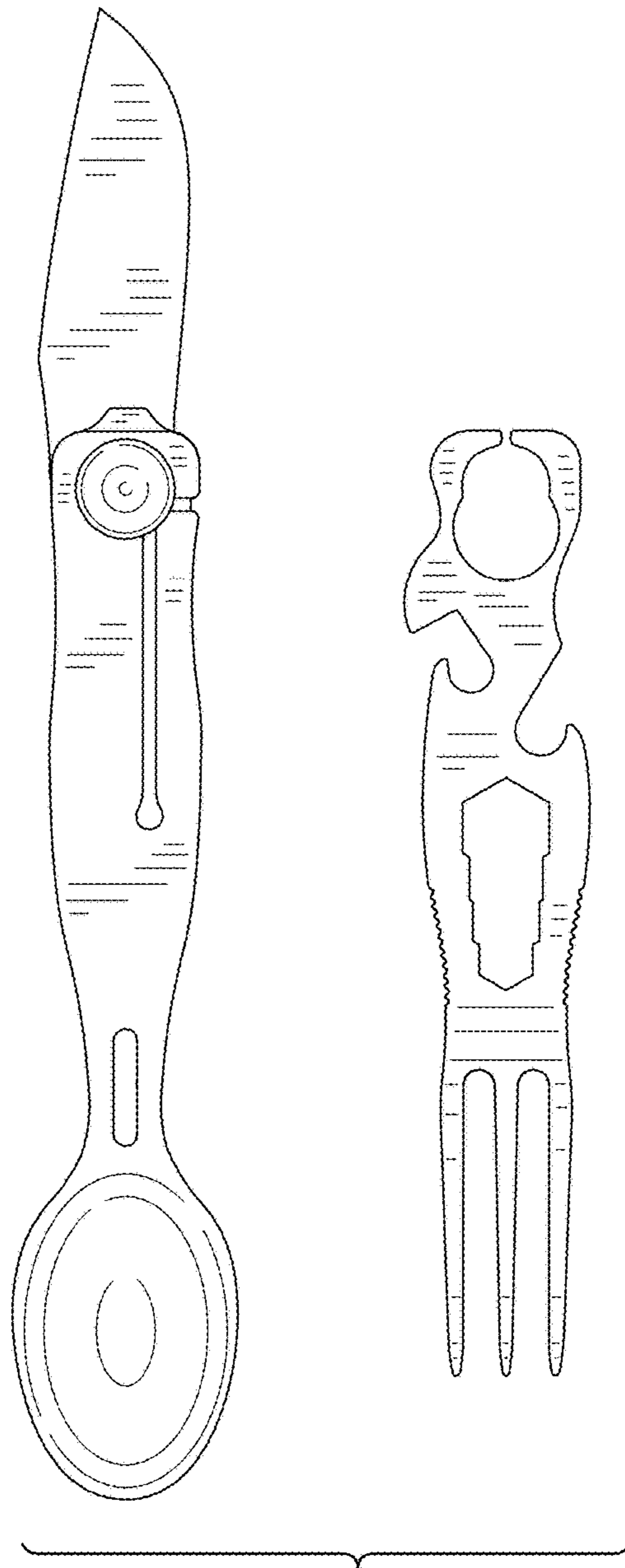
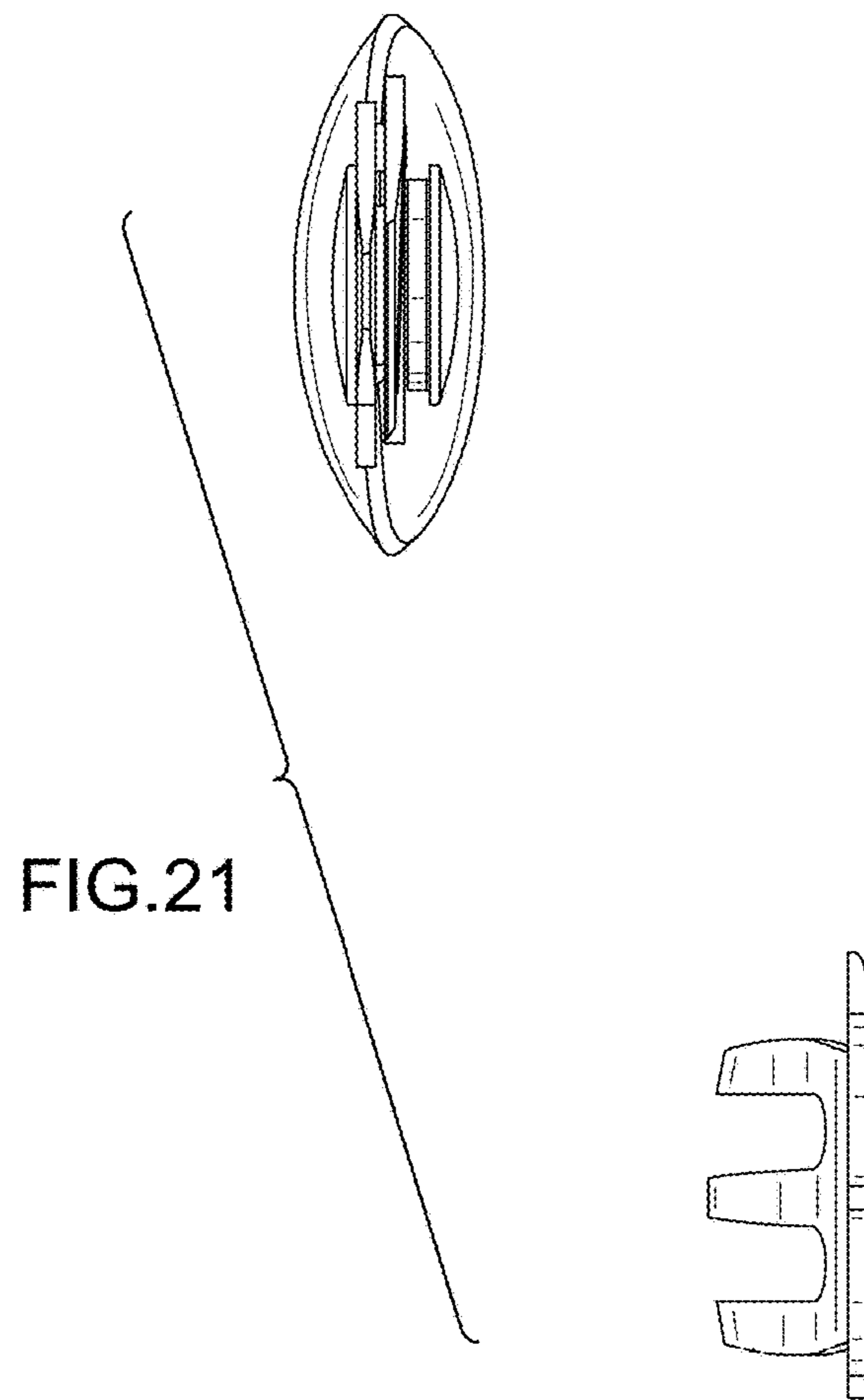


FIG. 20





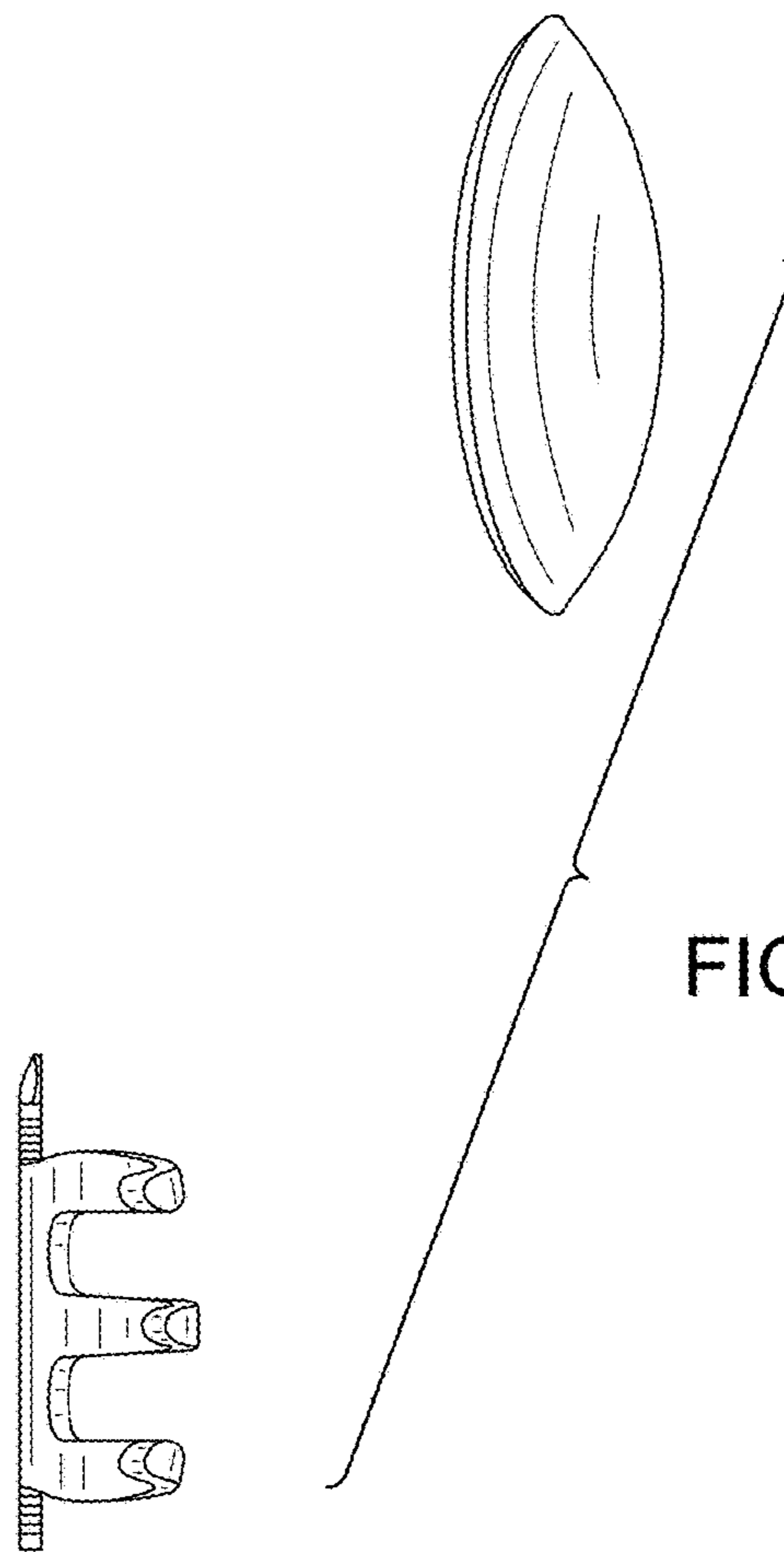


FIG.22

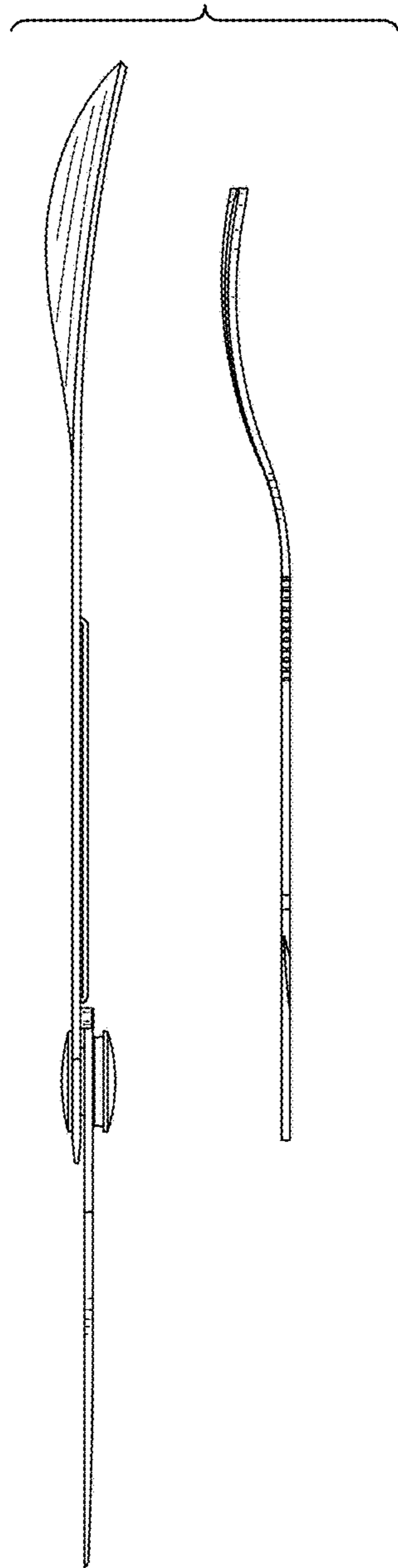


FIG. 23

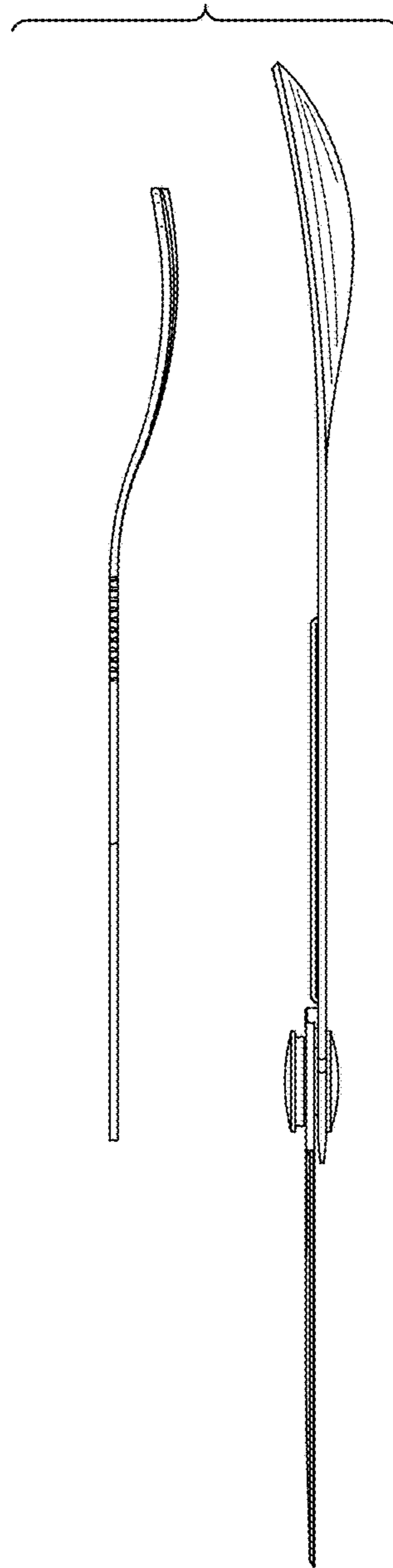


FIG. 24