



US00D842661S

(12) **United States Design Patent**  
**Goodman et al.**

(10) **Patent No.:** **US D842,661 S**  
(45) **Date of Patent:** **\*\* Mar. 12, 2019**

(54) **NAPKIN HOLDER**

D744,296 S \* 12/2015 Goodman ..... D7/631  
D748,441 S \* 2/2016 Goodman ..... D7/631  
D758,756 S 6/2016 Goodman et al.

(71) Applicant: **Spectrum Diversified Designs, LLC**,  
Streetsboro, OH (US)

(72) Inventors: **Aaron Goodman**, Beachwood, OH  
(US); **Xuemei Yuan**, Stow, OH (US)

(73) Assignee: **SPECTRUM DIVERSIFIED  
DESIGNS, LLC**, Streetsboro, OH (US)

(\*\*) Term: **15 Years**

(21) Appl. No.: **29/608,905**

(22) Filed: **Jun. 27, 2017**

(51) **LOC (11) Cl.** ..... **07-07**

(52) **U.S. Cl.**  
USPC ..... **D7/637**

(58) **Field of Classification Search**  
USPC ..... D7/637-641; 30/298.4; 211/60.1, 70.6,  
211/70.7; 248/37.3, 37.6  
CPC ..... A47B 88/20; A47F 7/00; A47G 21/00;  
A47G 21/14; B26B 3/00  
See application file for complete search history.

(56) **References Cited**

**U.S. PATENT DOCUMENTS**

D33,269 S \* 9/1900 Rix ..... D19/92  
D219,205 S \* 11/1970 Propst ..... D3/306  
D551,454 S \* 9/2007 Cheng ..... D3/306  
D640,510 S \* 6/2011 Guindi ..... D7/631  
D652,688 S \* 1/2012 Guindi ..... D7/631  
D690,769 S \* 10/2013 Hu ..... D19/92

**OTHER PUBLICATIONS**

Creative Co-op DE2331 Square Tin Napkin Holder, announced Feb. 2011, [online], site visited Jun. 5, 2018. Available from Internet, URL: <http://www.amazon.com> (Year: 2011).\*

\* cited by examiner

*Primary Examiner* — Derrick E Holland

*Assistant Examiner* — Janice Patyk

(74) *Attorney, Agent, or Firm* — Tucker Ellis LLP

(57) **CLAIM**

The ornamental design for a napkin holder, as shown and described.

**DESCRIPTION**

FIG. 1 is a perspective view of a napkin holder showing our new design.

FIG. 2 is a front view thereof.

FIG. 3 is a rear view thereof.

FIG. 4 is a left side view thereof.

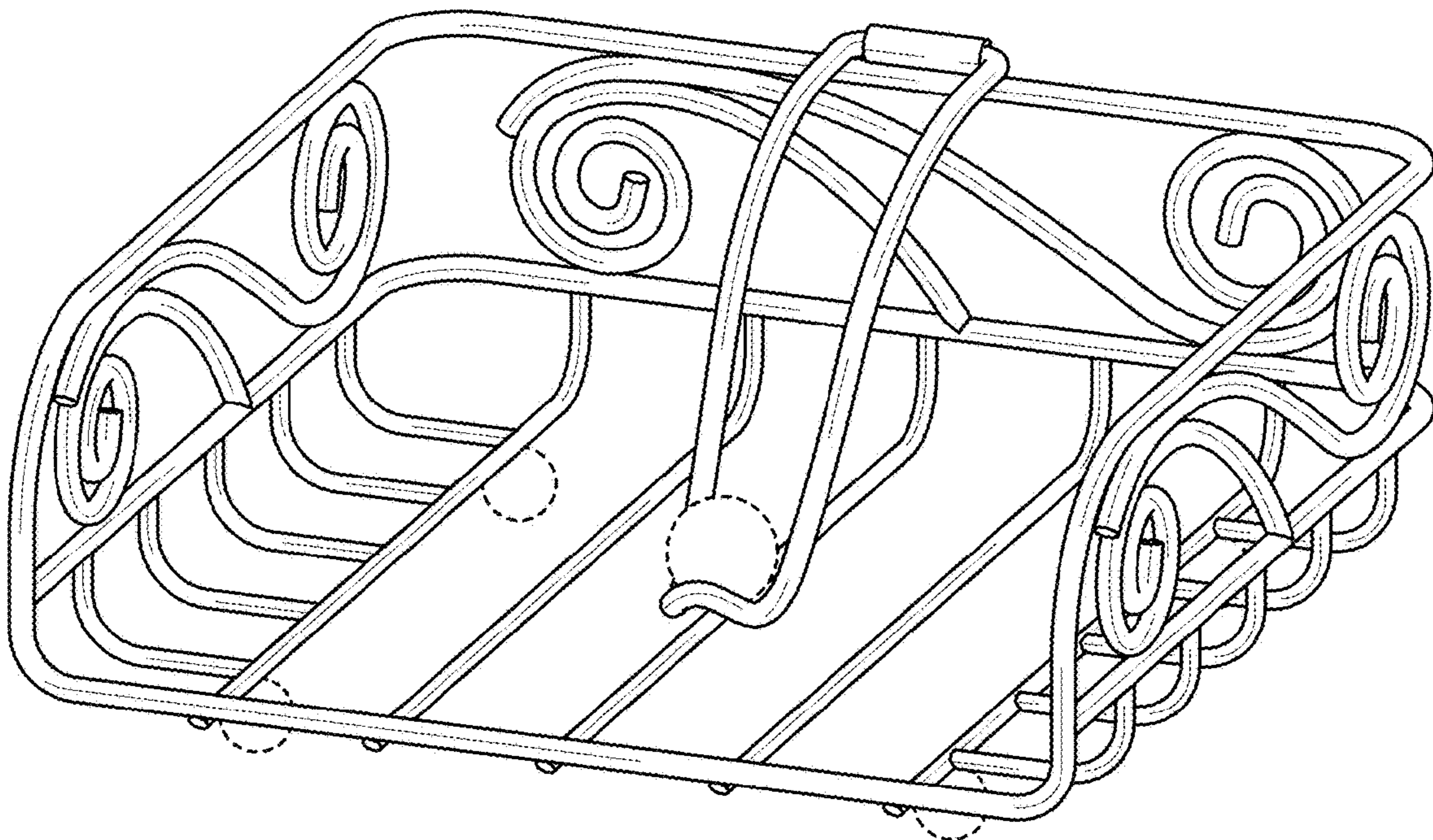
FIG. 5 is a right side view thereof.

FIG. 6 is a top view thereof; and,

FIG. 7 is a bottom view thereof.

The broken lines in the figures illustrative the portions of the design that form no part of the claimed design.

**1 Claim, 4 Drawing Sheets**



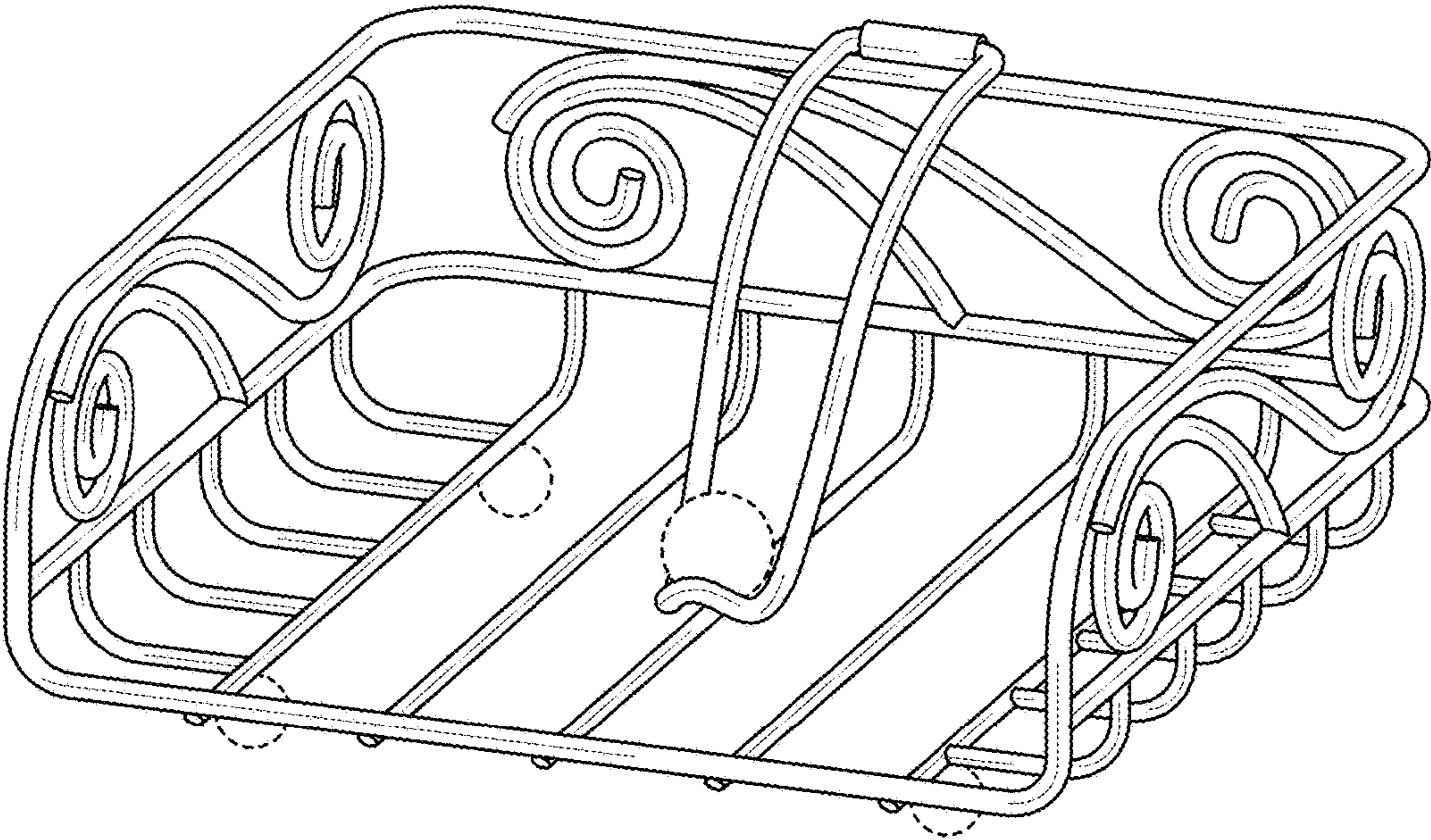


FIG. 1

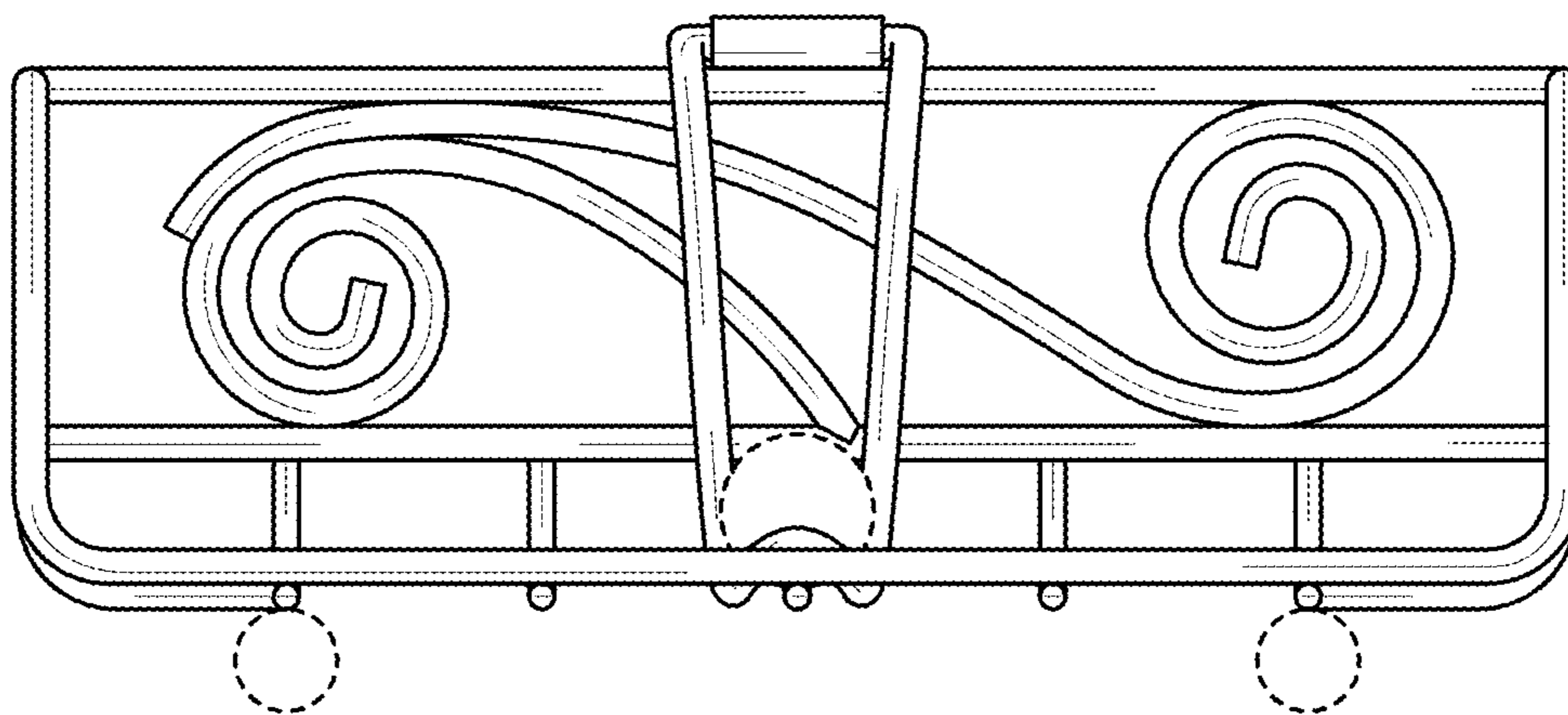


FIG. 2

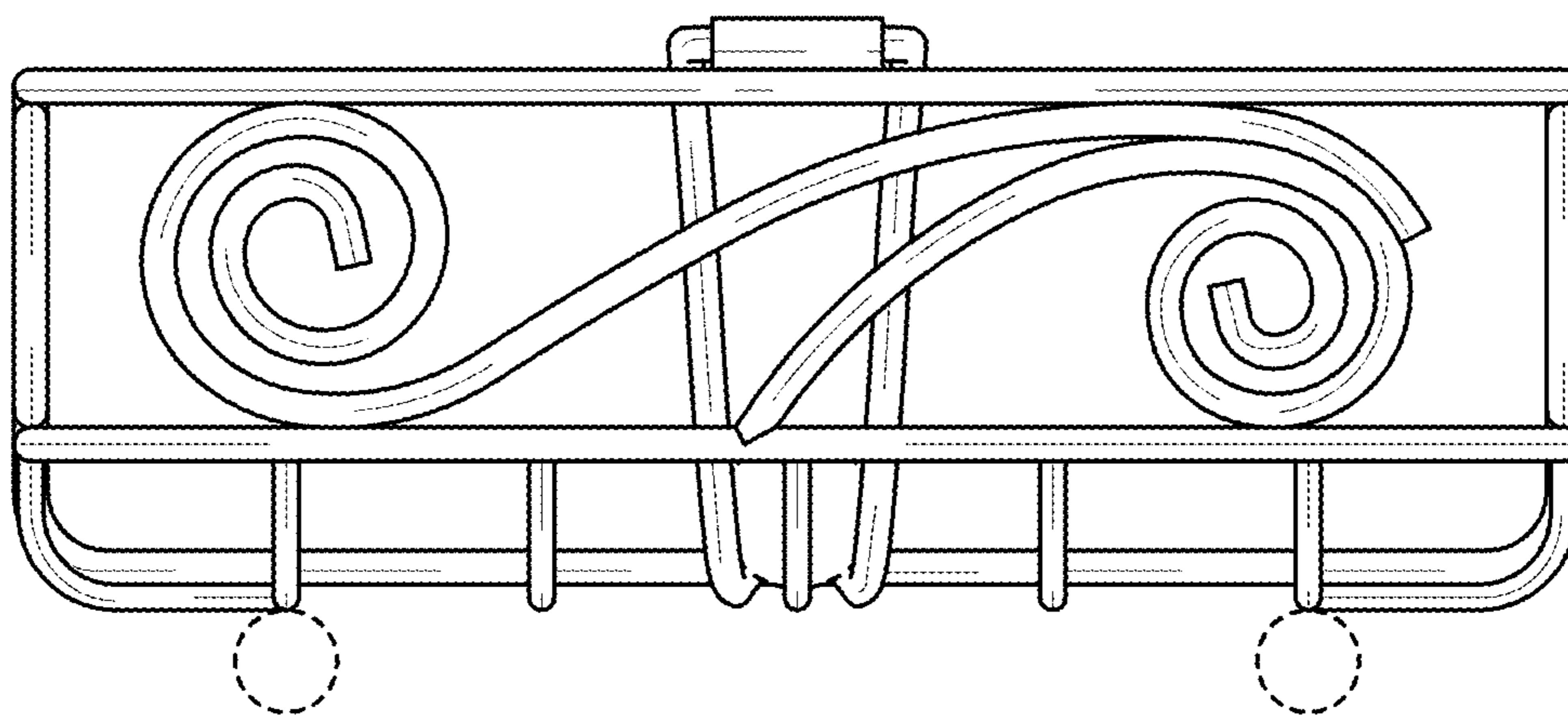


FIG. 3



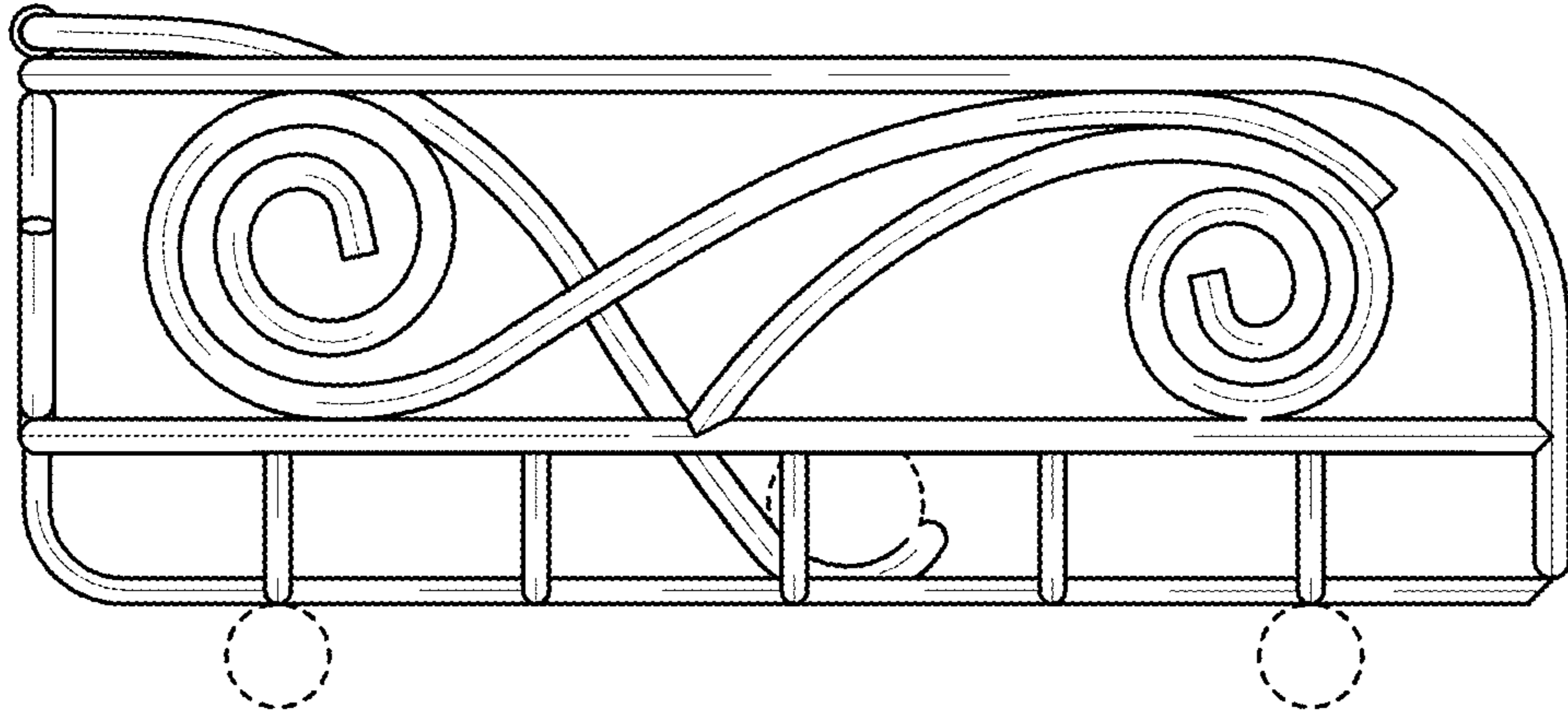


FIG. 4

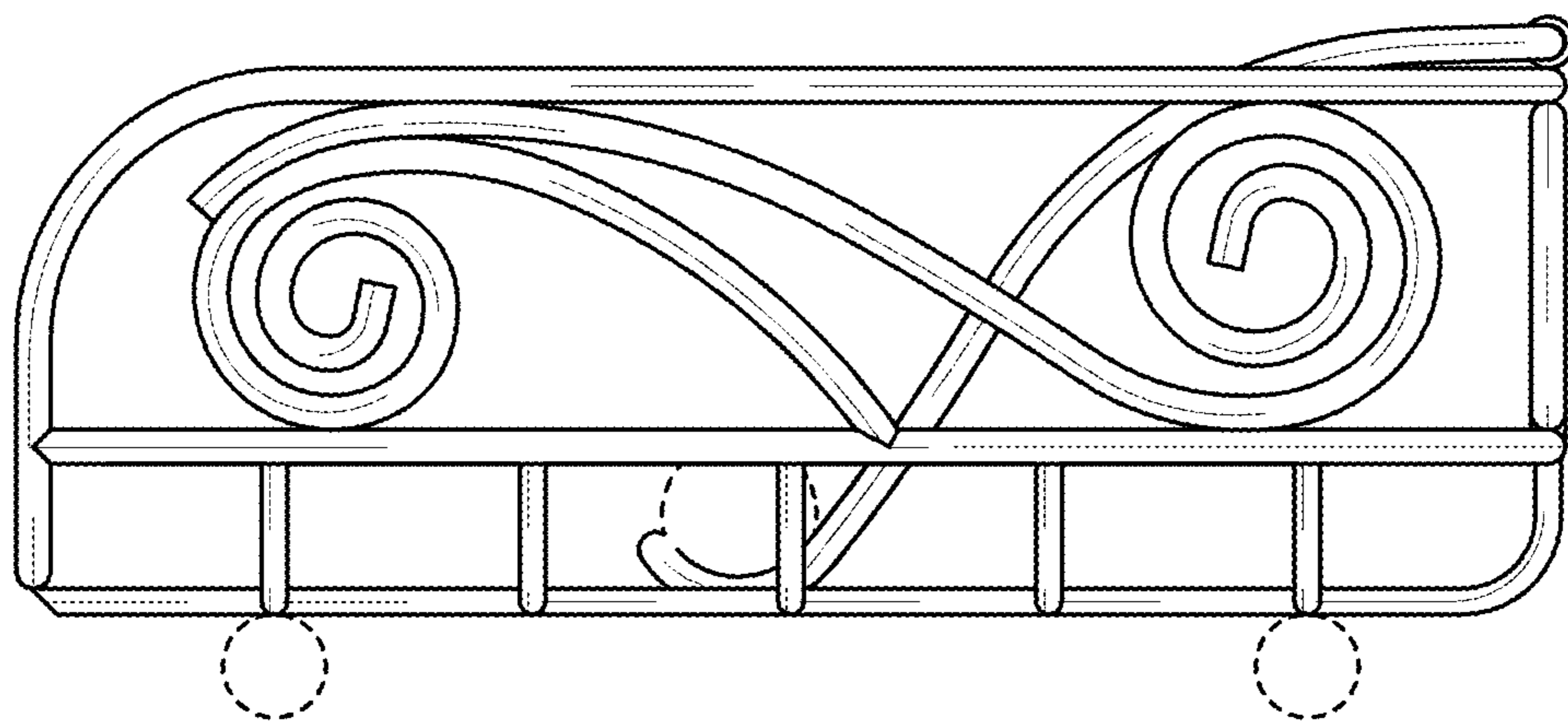


FIG. 5

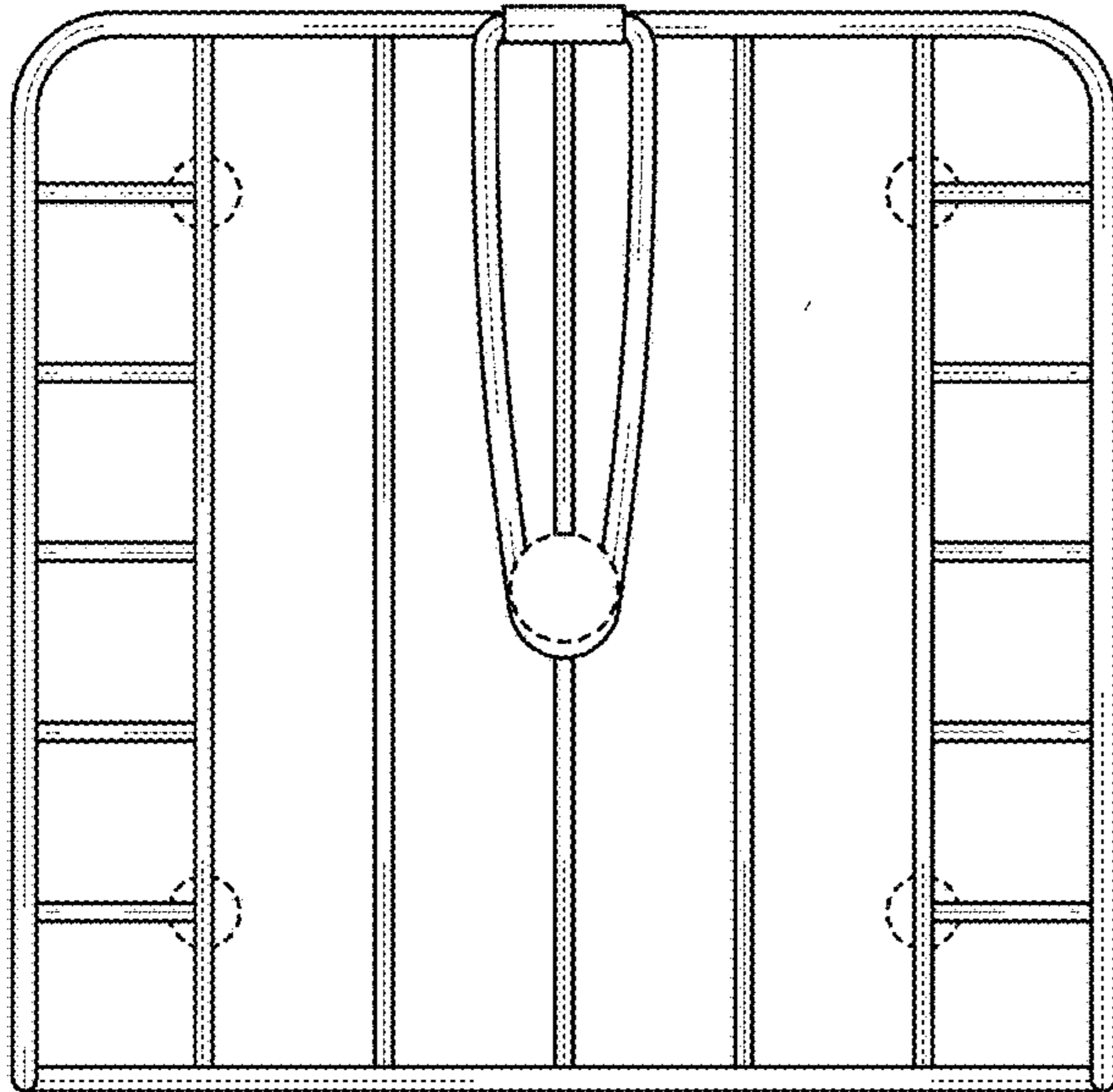


FIG. 6

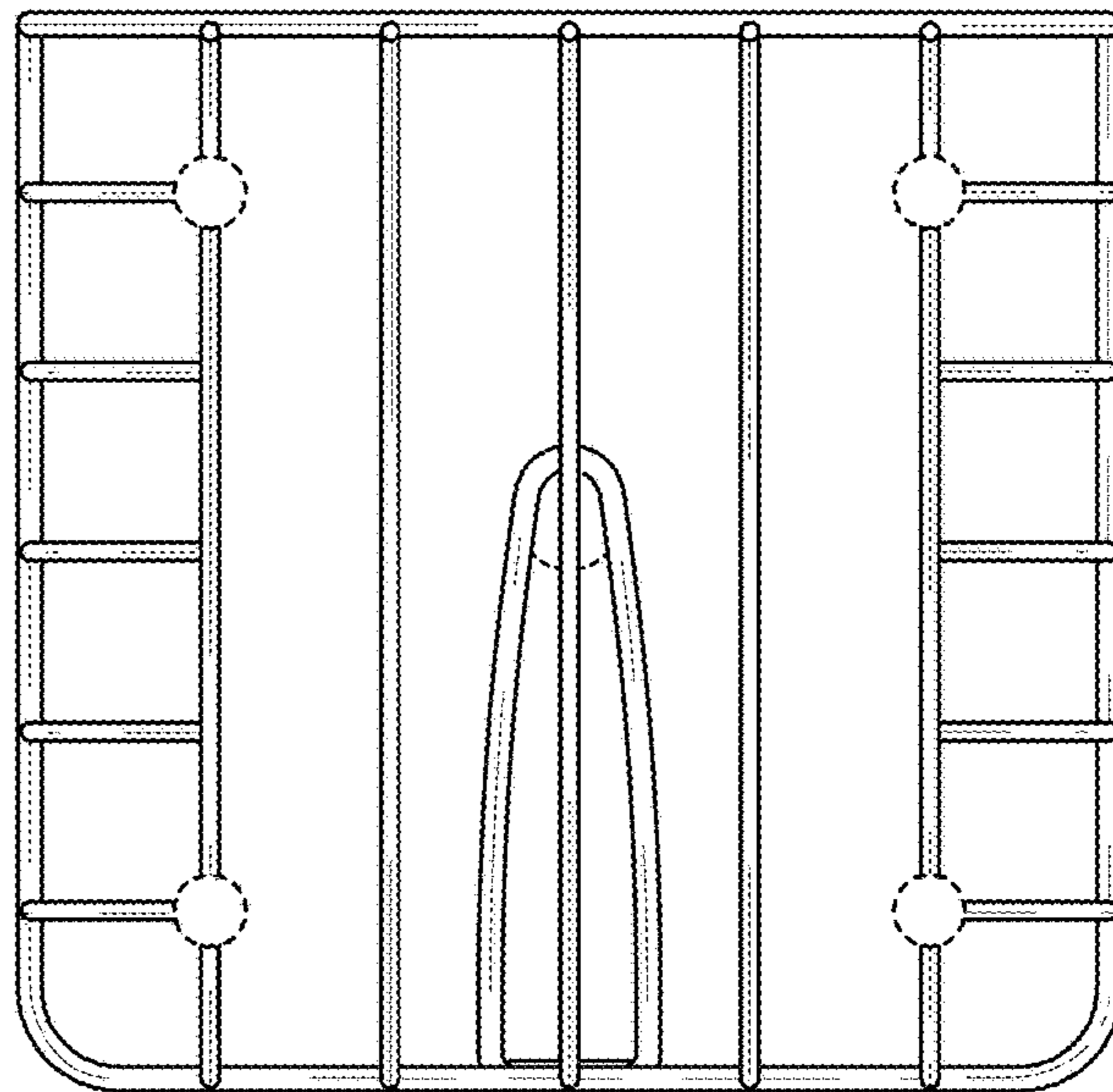


FIG. 7