



US00D842660S

(12) **United States Design Patent**
Evans et al.

(10) **Patent No.:** **US D842,660 S**
(45) **Date of Patent:** **** Mar. 12, 2019**

(54) **UTENSIL HOLDER**
(71) Applicant: **Joseph Joseph Ltd.**, London (GB)

D575,995 S * 9/2008 Owens D7/637
D582,120 S * 12/2008 Snell D32/55
D669,322 S * 10/2012 Evans D7/640

(72) Inventors: **David Evans**, Cambridge (GB); **Ashley May**, Cambridge (GB)

OTHER PUBLICATIONS

(73) Assignee: **JOSEPH JOSEPH LTD.**, London (GB)

InterDesign Forma Flatware Organizer, announced Dec. 2013, [online], site visited Jun. 5, 2018. Available from Internet, URL: <http://www.amazon.com> (Year: 2013).*
iTouchless Stainless Steel Trash Can/Recycler, announced Aug. 2012, [online], site visited Jun. 5, 2018. Available from Internet, URL: <http://www.amazon.com> (Year: 2012).*

(**) Term: **15 Years**

* cited by examiner

(21) Appl. No.: **29/603,379**

Primary Examiner — Derrick E Holland
Assistant Examiner — Janice Patyk

(22) Filed: **May 9, 2017**

(30) **Foreign Application Priority Data**

(74) *Attorney, Agent, or Firm* — Millen, White, Zelano & Branigan, PC

Nov. 28, 2016 (EM) 003490242-0008

(51) **LOC (11) Cl.** **07-07**

(57) **CLAIM**

(52) **U.S. Cl.**
USPC **D7/637**

The ornamental design for a utensil holder, as shown and described.

(58) **Field of Classification Search**
USPC D7/637-641; 30/298.4; 211/60.1, 70.6, 211/70.7; 248/37.3, 37.6
CPC A47B 88/20; A47F 7/00; A47G 21/00; A47G 21/14; B26B 3/00
See application file for complete search history.

DESCRIPTION

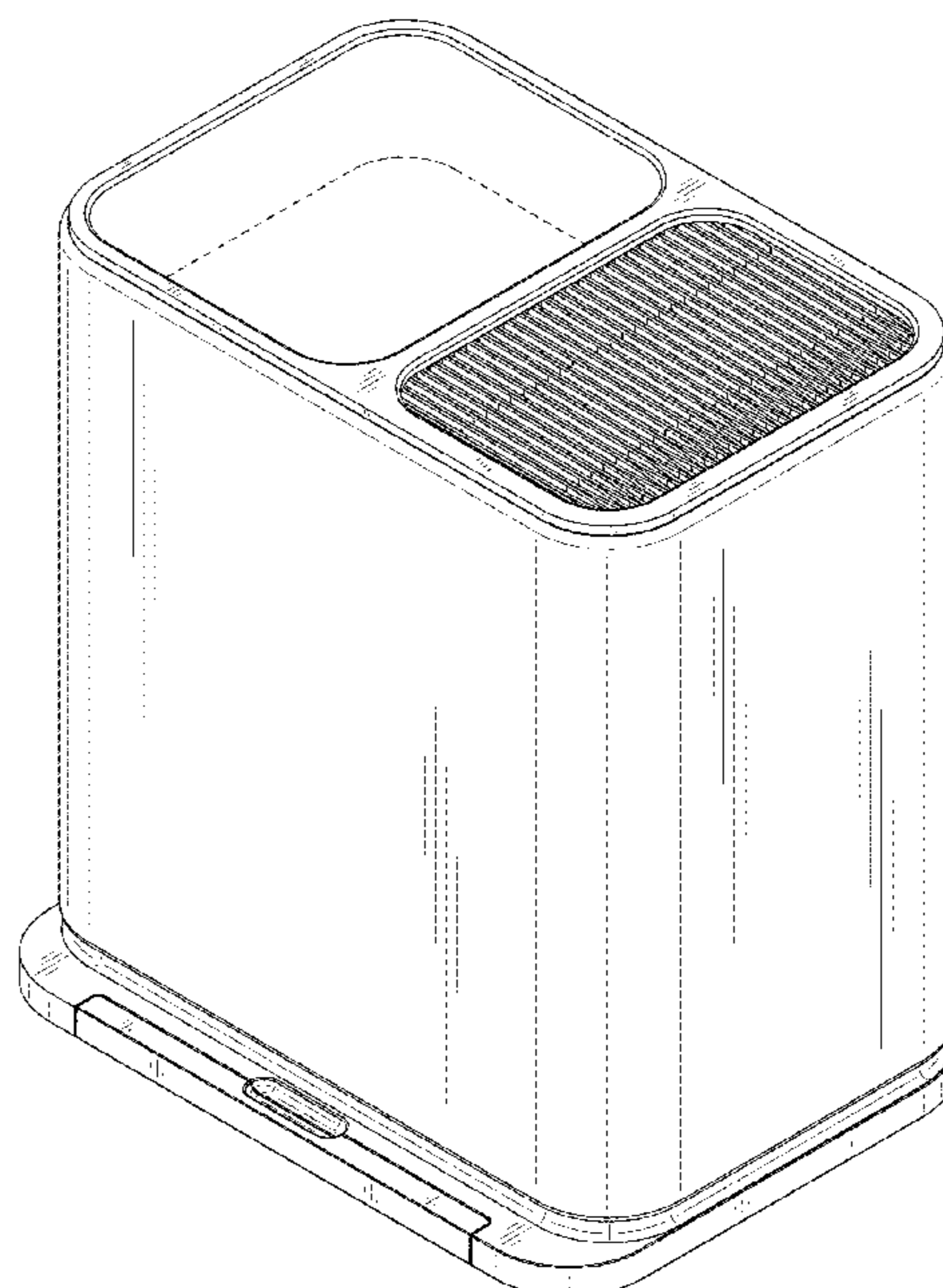
(56) **References Cited**

FIG. 1 is a top perspective view of a utensil holder showing my new design.
FIG. 2 is a front view thereof.
FIG. 3 is a back view thereof.
FIG. 4 is a side view thereof.
FIG. 5 is an opposite side view thereof.
FIG. 6 is a top view thereof.
FIG. 7 is a bottom view thereof; and,
FIG. 8 is an exploded top perspective view thereof.
The broken lines in the drawings illustrate portions of the utensil holder which form no part of the claimed design.

U.S. PATENT DOCUMENTS

5,490,607 A * 2/1996 Hsieh A47G 21/14 206/372
D395,801 S * 7/1998 Miller D7/641
6,439,403 B1 * 8/2002 Levsen A47G 21/14 211/70.7
D523,298 S * 6/2006 Yang D7/637

1 Claim, 8 Drawing Sheets



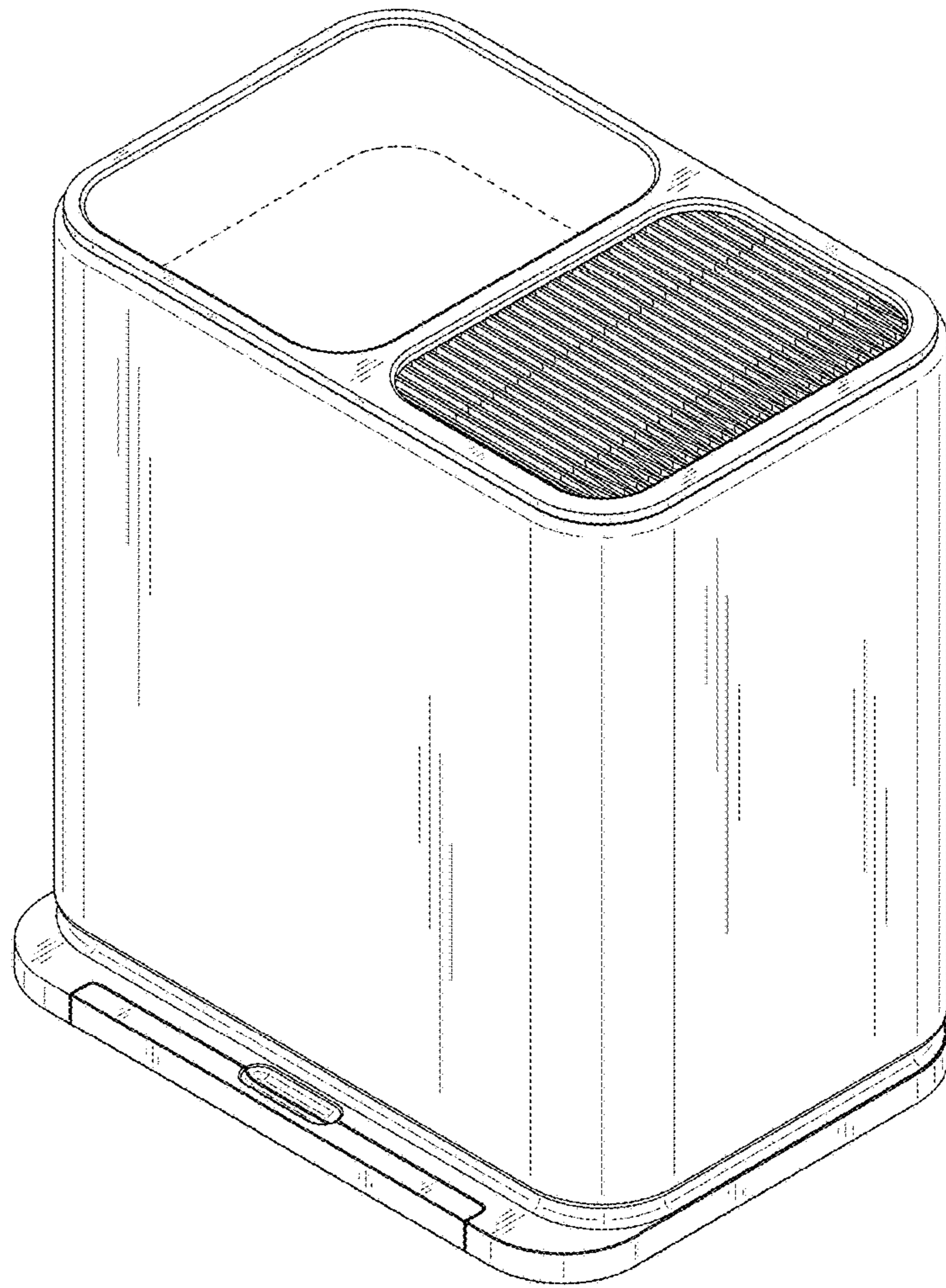


FIG. 1

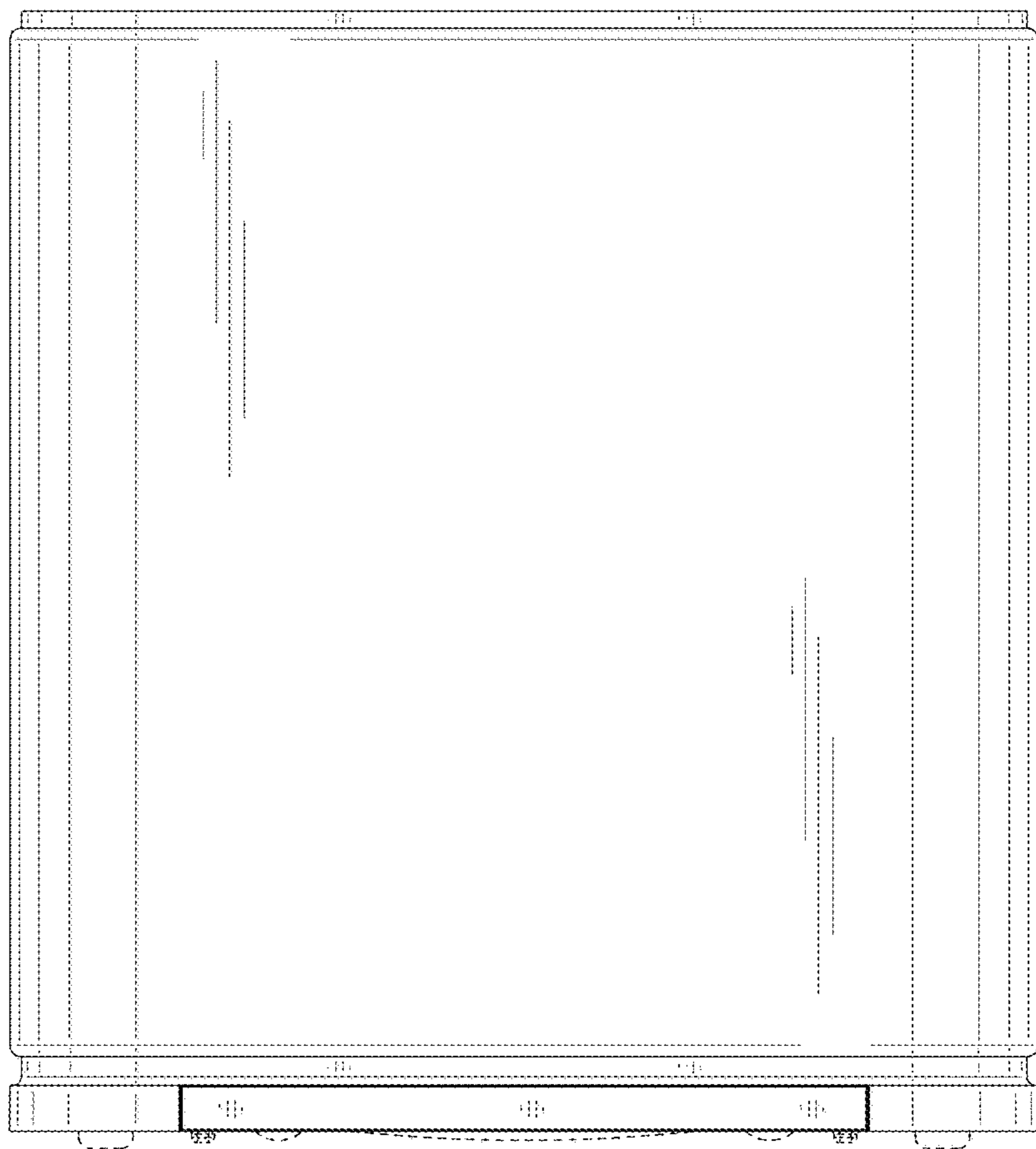


FIG. 2

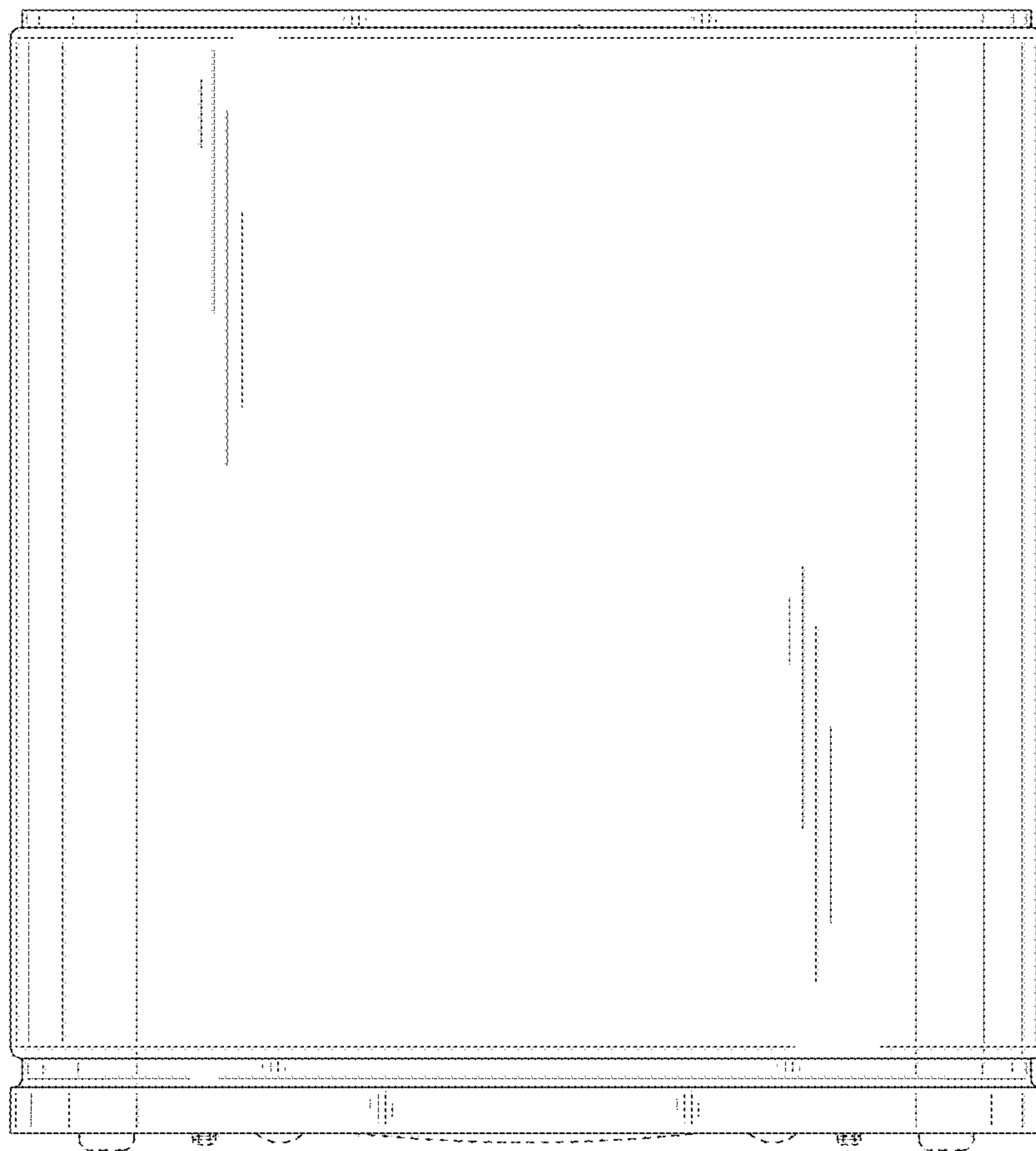


FIG. 3

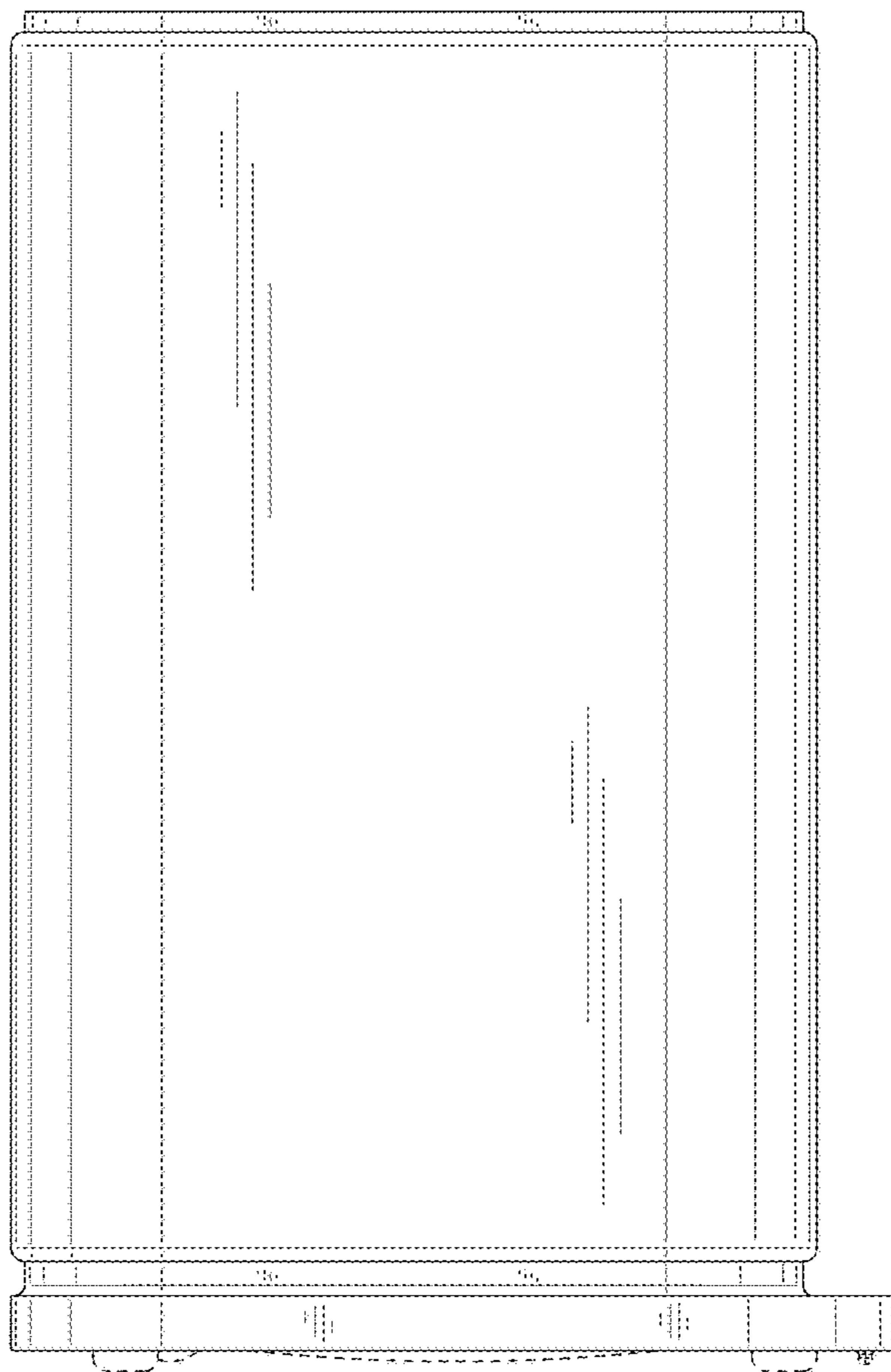


FIG. 4

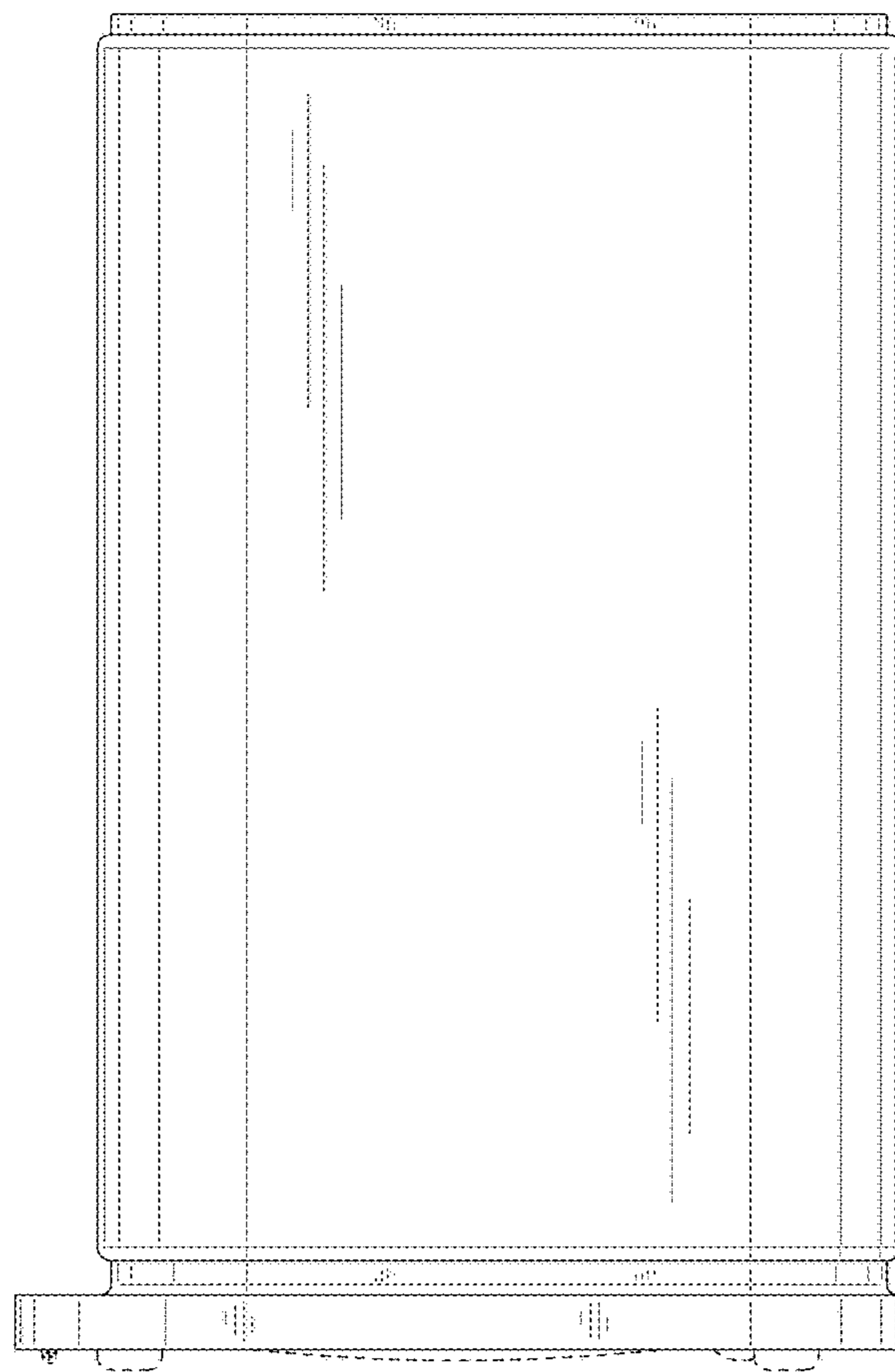


FIG. 5

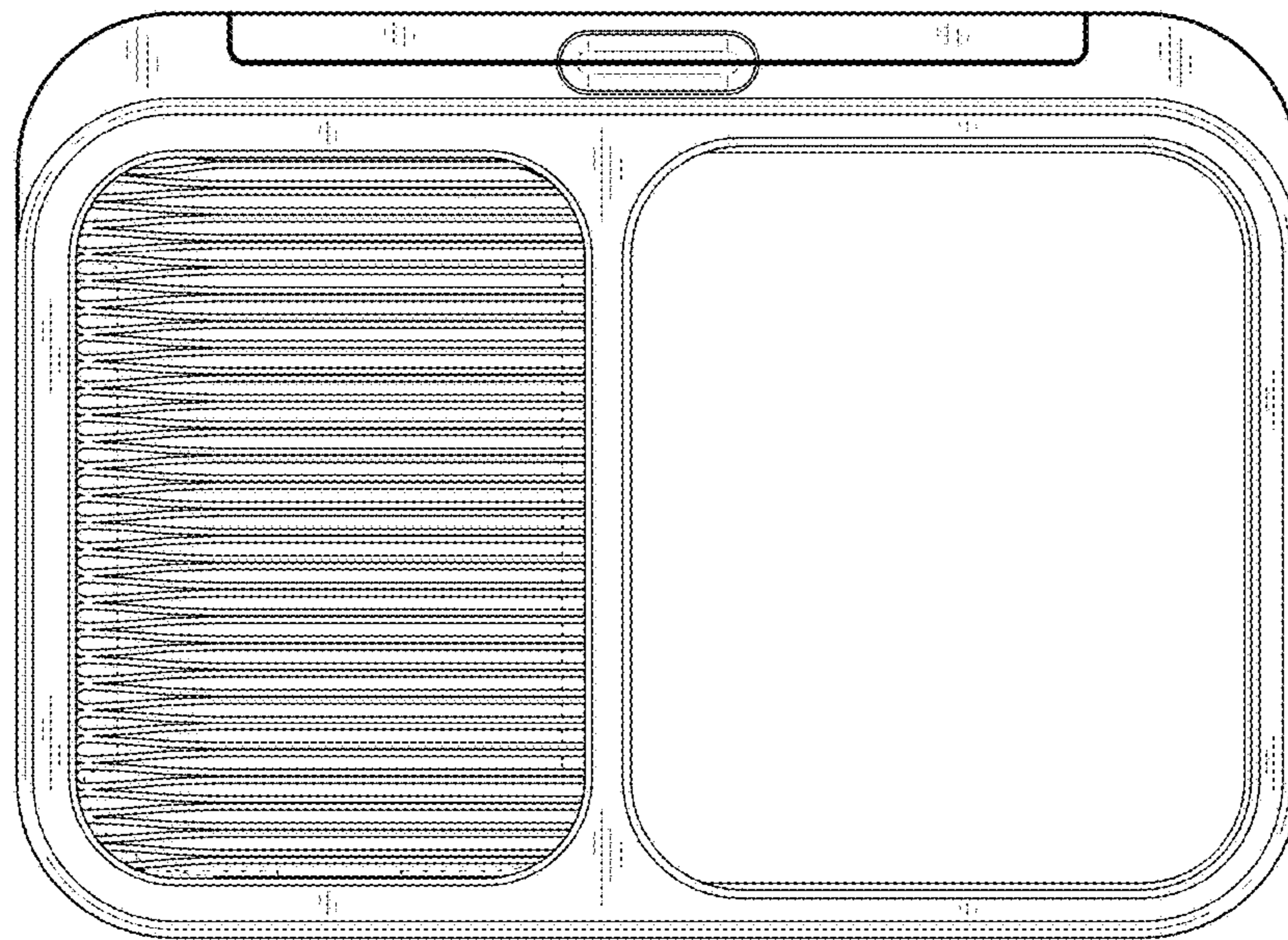


FIG. 6

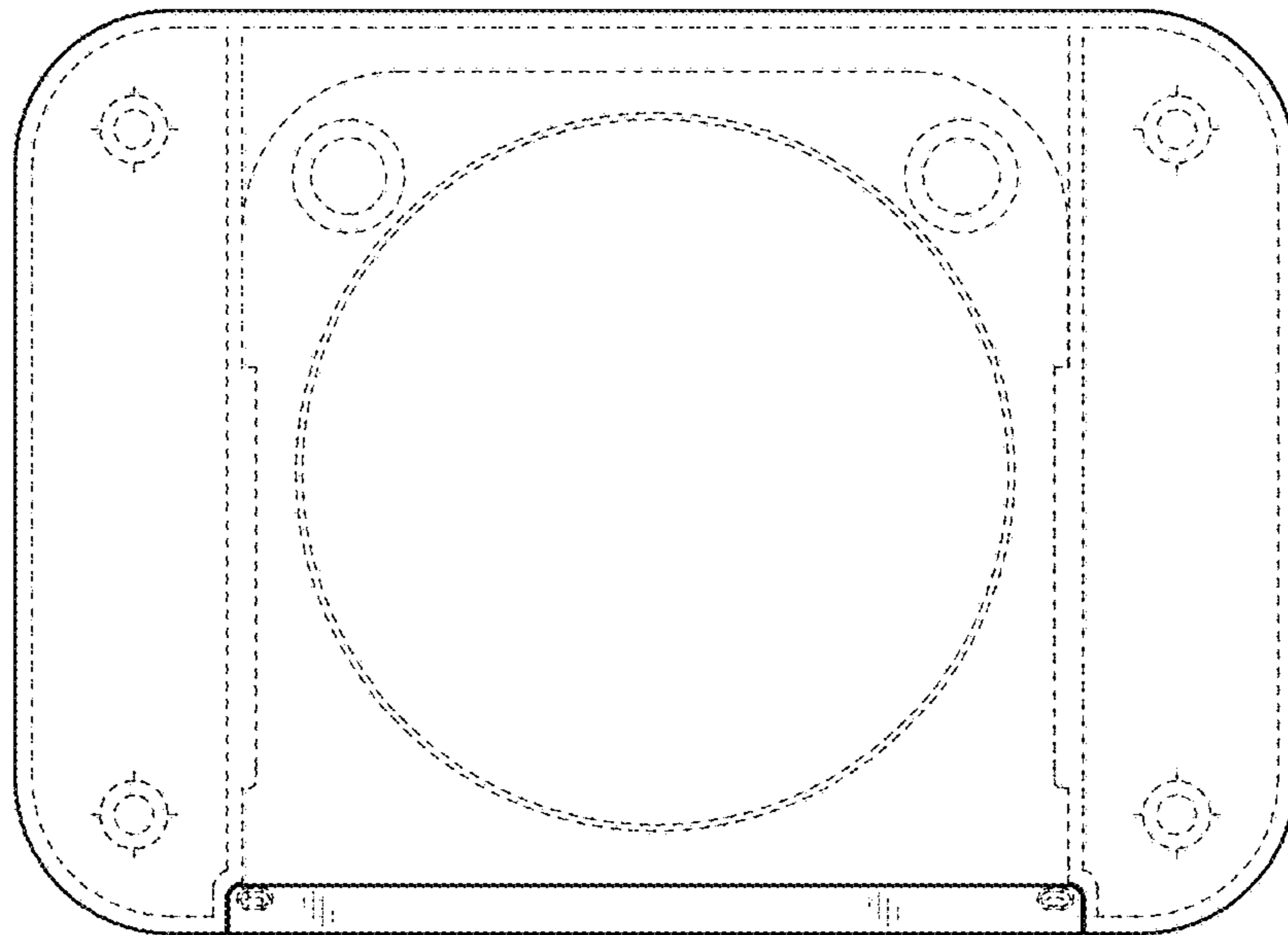


FIG. 7

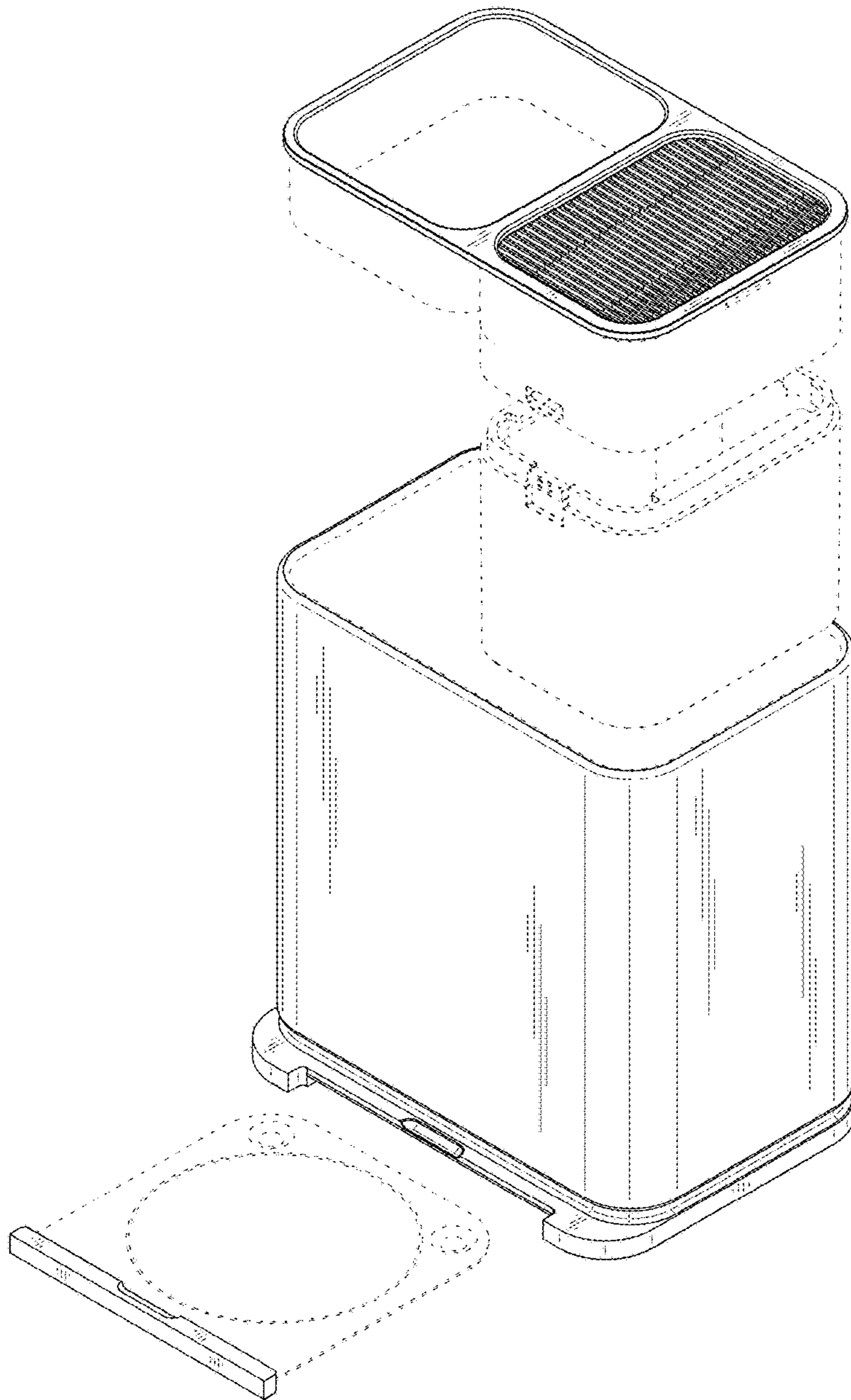


FIG. 8