



US00D842658S

(12) **United States Design Patent**
Groth

(10) **Patent No.:** **US D842,658 S**
(45) **Date of Patent:** **** Mar. 12, 2019**

- (54) **INSULATED CUP SLEEVE**
- (71) Applicant: **Shari Lynn Groth**, Waukesha, WI (US)
- (72) Inventor: **Shari Lynn Groth**, Waukesha, WI (US)
- (**) Term: **15 Years**
- (21) Appl. No.: **29/593,393**
- (22) Filed: **Feb. 8, 2017**
- (51) **LOC (11) Cl.** **07-01**
- (52) **U.S. Cl.**
USPC **D7/624.2; D7/607**
- (58) **Field of Classification Search**
USPC D7/605, 606, 607, 608, 509, 510, 511,
D7/523, 533, 536, 624.2; D9/502, 504
CPC A45J 41/00; A45J 41/0005; A45J 41/0011;
A45J 41/0016; A45J 41/0027; A45J
41/0061; A45J 41/0066; A45J 41/0072;
B65D 81/3837; B65D 81/3876
See application file for complete search history.

- D627,479 S 11/2010 Cofie
 - 7,841,202 B2 11/2010 Madan et al.
 - D634,589 S 3/2011 Cook
 - D637,041 S 5/2011 Haskell
 - D640,090 S 6/2011 Wisniewski
 - D640,508 S 6/2011 Bouillon
- (Continued)

FOREIGN PATENT DOCUMENTS

EP 2450293 A1 5/2012

OTHER PUBLICATIONS

Buzzfeed, "Creative Handmade Coffee Cup Cuffs", published Jun. 2, 2012. (https://www.buzzfeed.com/tblacklabel/coffee-cup-cuffs-28m7?utm_term=.wukQkokogV#.sfoJEeEer2).*
(Continued)

Primary Examiner — Jennifer Rivard
Assistant Examiner — April Rivas
(74) *Attorney, Agent, or Firm* — Husch Blackwell LLP

(57) **CLAIM**

The ornamental design for an insulated cup sleeve, as shown and described.

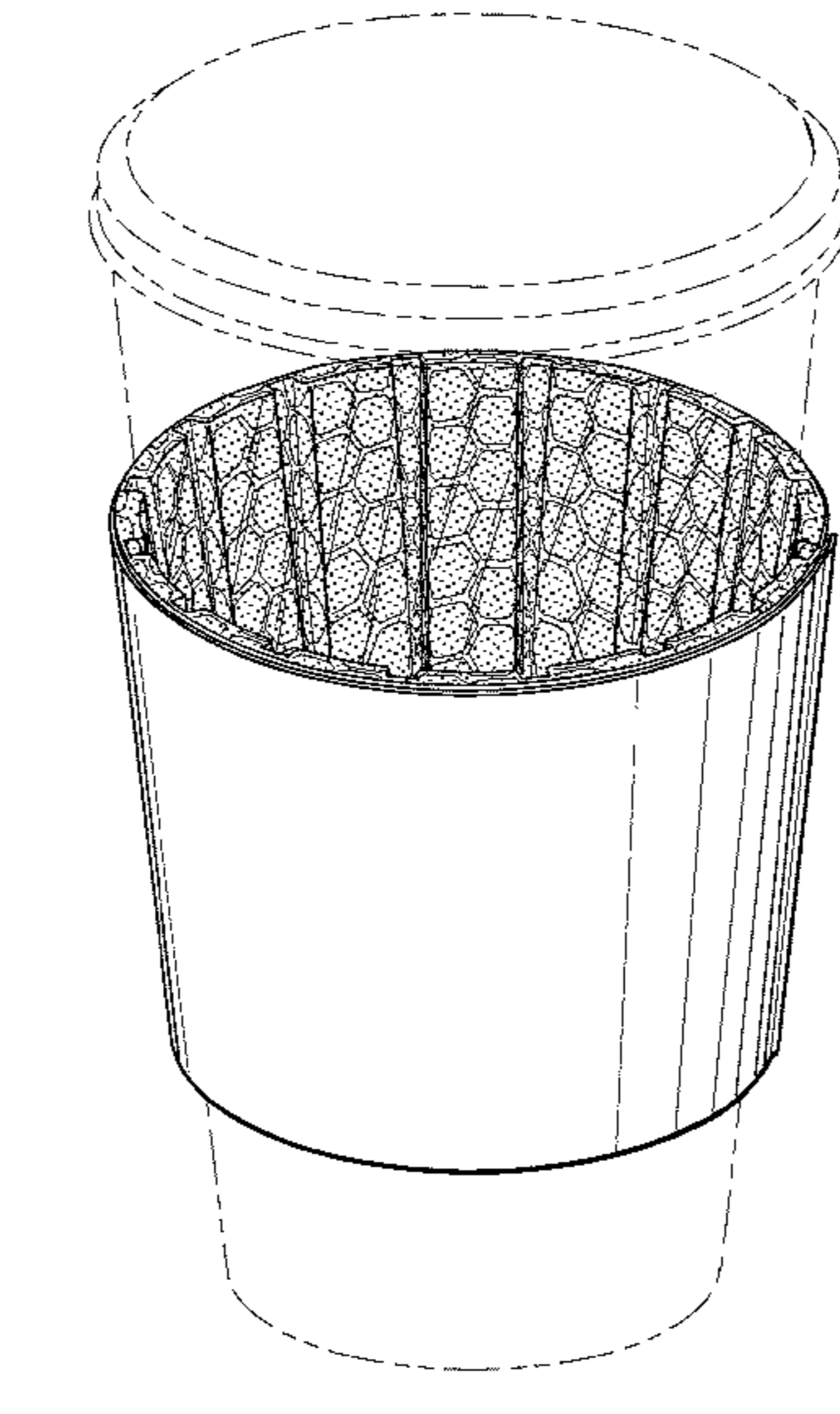
DESCRIPTION

FIG. 1 is a right side perspective view of an insulated cup sleeve;
FIG. 2 is a front view of the sleeve;
FIG. 3 is a rear view of the sleeve;
FIG. 4 is a right view of the sleeve;
FIG. 5 is a left view of the sleeve;
FIG. 6 is a top plan view of the sleeve; and,
FIG. 7 is a bottom plan view of the sleeve.
The broken lines illustrate environment and form no part of the claimed design. The stippled and oblique line shaded portion of the claim represents a metallic surface.

1 Claim, 4 Drawing Sheets

(56) **References Cited**
U.S. PATENT DOCUMENTS

- 3,990,495 A 11/1976 LaBarba
- 4,106,478 A 8/1978 Higashijima
- 4,282,279 A 8/1981 Strickland
- 4,435,344 A 3/1984 Iioka
- 5,109,588 A 5/1992 Hewlett et al.
- D336,128 S * 6/1993 Sherrill D23/386
- 5,256,131 A 10/1993 Owens et al.
- D345,897 S * 4/1994 Vitez D7/608
- D347,553 S * 6/1994 Schneider D7/607
- 6,286,709 B1 9/2001 Hudson
- 6,564,558 B1 5/2003 Seymour
- D504,482 S 4/2005 Webb
- D546,681 S 7/2007 Botti et al.
- D593,371 S * 6/2009 Karam D7/624.2
- D595,093 S 6/2009 McComas
- D597,382 S 8/2009 Bogнар
- D620,755 S 8/2010 Haskell



(56)

References Cited

U.S. PATENT DOCUMENTS

D643,689 S * 8/2011 Selina D7/607
 D647,762 S 11/2011 Flaherty
 8,056,757 B2 * 11/2011 Mansour B65D 81/3886
 220/737
 8,167,165 B1 5/2012 Peterson
 8,251,247 B1 * 8/2012 Breckner A47G 23/0266
 220/592.16
 8,256,411 B2 9/2012 Christy
 D679,554 S * 4/2013 Molz D7/607
 8,844,763 B1 9/2014 Momirov et al.
 D720,576 S * 1/2015 Dresner D7/624.2
 D720,577 S 1/2015 Gallegos
 D724,901 S 3/2015 Sherron
 9,004,059 B2 4/2015 Sesock et al.
 D753,958 S 4/2016 Essenberg et al.
 D753,959 S 4/2016 Bremer
 D756,706 S * 5/2016 Kushner D7/509
 D769,717 S 10/2016 Fairchild, Jr.
 D795,648 S * 8/2017 Lapsker D7/523
 9,757,925 B2 * 9/2017 Duong B32B 7/14
 2003/0075549 A1 * 4/2003 O'Brien B65D 81/3876
 220/739
 2005/0103795 A1 5/2005 Hall et al.
 2005/0199697 A1 9/2005 Nugent
 2005/0226965 A1 10/2005 Taylor
 2005/0230467 A1 10/2005 Prescott
 2006/0138154 A1 6/2006 Essel
 2007/0034202 A1 2/2007 Pumphrey et al.
 2007/0125787 A1 * 6/2007 Oathout A47J 41/0061
 220/592.16
 2009/0101659 A1 4/2009 Morlan
 2009/0121007 A1 * 5/2009 Van Handel B29C 61/02
 229/403
 2009/0242578 A1 10/2009 Bonilla
 2009/0293859 A1 12/2009 Coffey et al.
 2010/0126492 A1 5/2010 St. Etienne
 2010/0163011 A1 7/2010 Tinker et al.
 2011/0073099 A1 3/2011 Madan et al.

2011/0108562 A1 5/2011 Lyons
 2012/0285974 A1 * 11/2012 Hanel B31D 1/0043
 220/739
 2012/0298096 A1 11/2012 Christy
 2012/0325836 A1 * 12/2012 Nenniger A47G 23/0216
 220/720
 2013/0043262 A1 2/2013 Sanders
 2013/0247591 A1 9/2013 DeMasi
 2014/0329049 A1 * 11/2014 Zhang A47G 23/0216
 428/135
 2016/0135629 A1 * 5/2016 Robertson A47G 23/0216
 220/739

OTHER PUBLICATIONS

Whiteburn's Wanderings Blob, "Cosy Cooking", Published Sep. 29, 2013. (<https://whiteburnswanderings.wordpress.com/2013/09/29/cosy-cooking/>).*
 Amazon, "Fred WINE'O Insulated Faux-Paper Bottle Cozy", first on sale Aug. 10, 2012. (<https://www.amazon.com/Fred-WINEO-Insulated-Faux-Paper-Bottle/dp/B008XCZ66A>).*
 AntiGravityGear. Cozy Collection. <https://www.antigravitygear.com/product-category/cozy-collection/>. Oct. 24, 2016.
 Bushcraft UK. Reflectix Cozy Lightweight Coffee Cup. <http://www.bushcraftuk.com/forum/showthread.php?t=84417>. Oct. 24, 2016.
 WhiteBlaze. DIY Reflectix Pot Cozy. <http://whiteblaze.net/forum/vbg/showimage.php?i=60584&catid=member&imageuser=4049>, Oct. 24, 2016.
 Mommypotamus. How to Make a Coffee Mug Cozy From a Sock <http://www.mommypotamus.com/sock-coffee-mug-cozy-how-to/>. Oct. 24, 2016.
 Amazon. Snow Peak Trek 700 Mug Cozy. <https://www.amazon.com/Snow-Peak-Trek-700-Cozy/dp/B0051> . . . Dec. 7, 2016.
 Pinterest. <https://www.pinterest.com/pin/160792649172877651/>. Jan. 6, 2017.
 Jim Wood's Base Camp. Three Mods for Your Mug. <http://jwbasecamp.com/Articles/MugMods/>. Sep. 30, 2016.

* cited by examiner

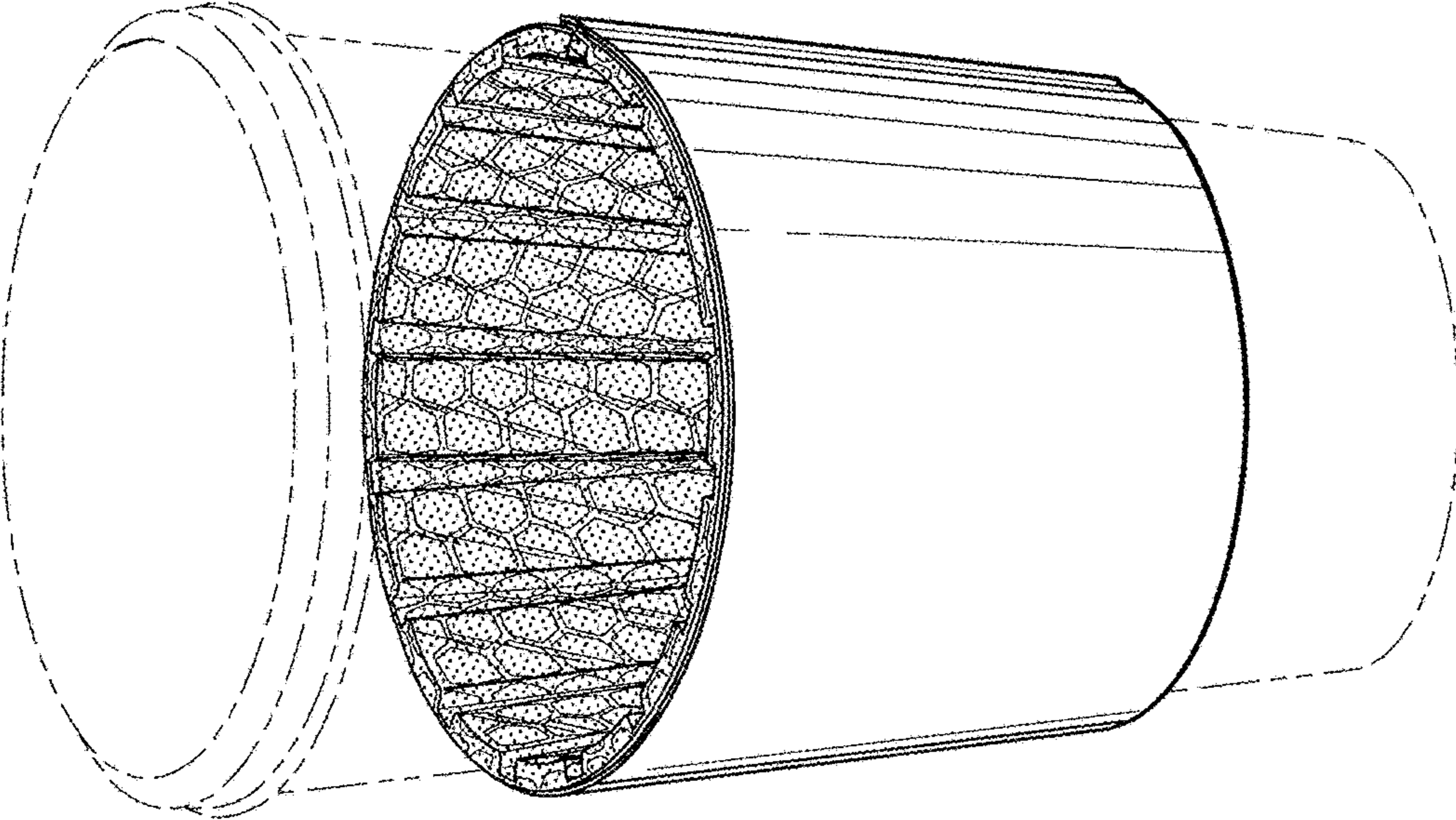


Fig. 1

Fig. 3

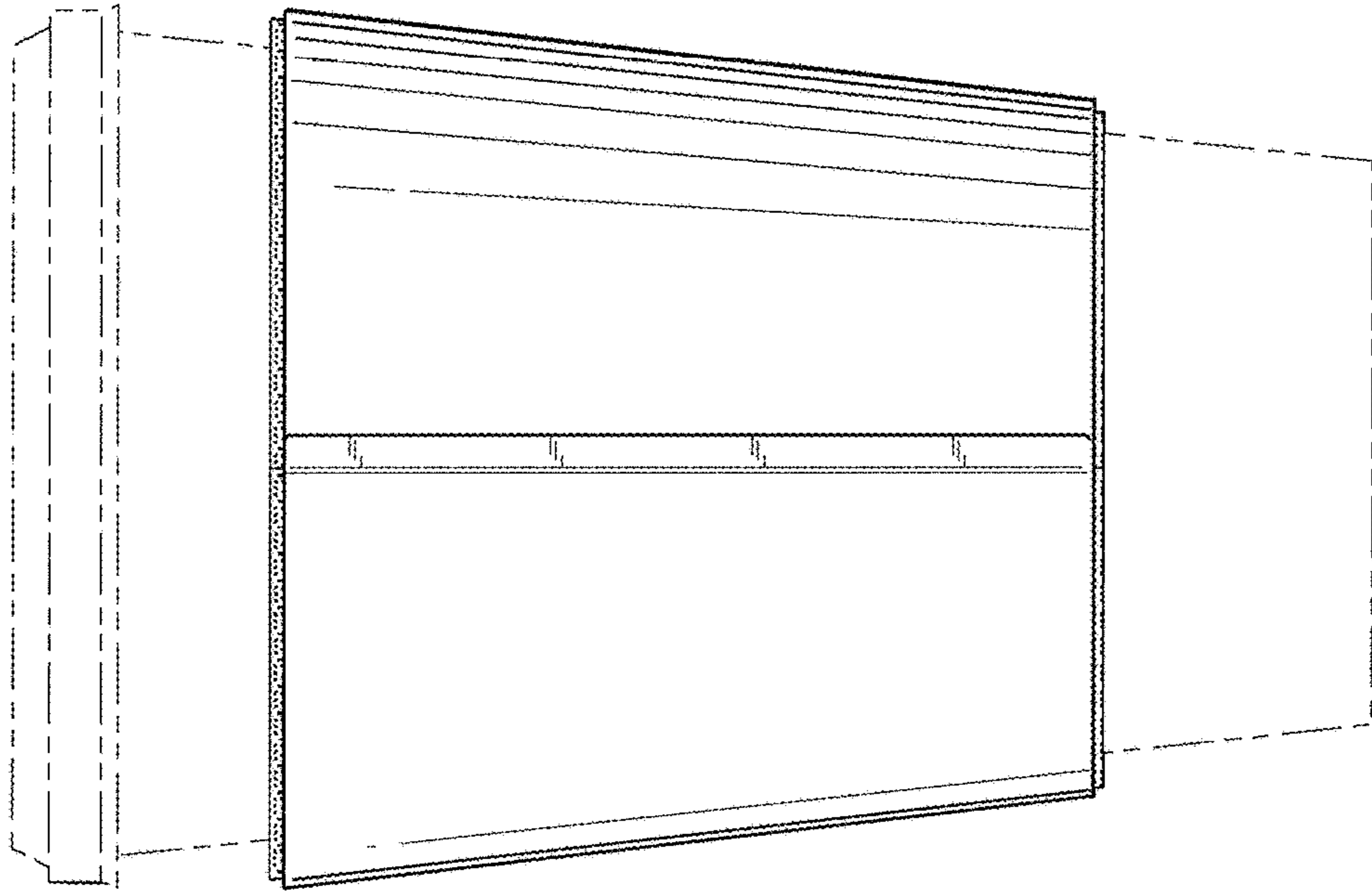


Fig. 2

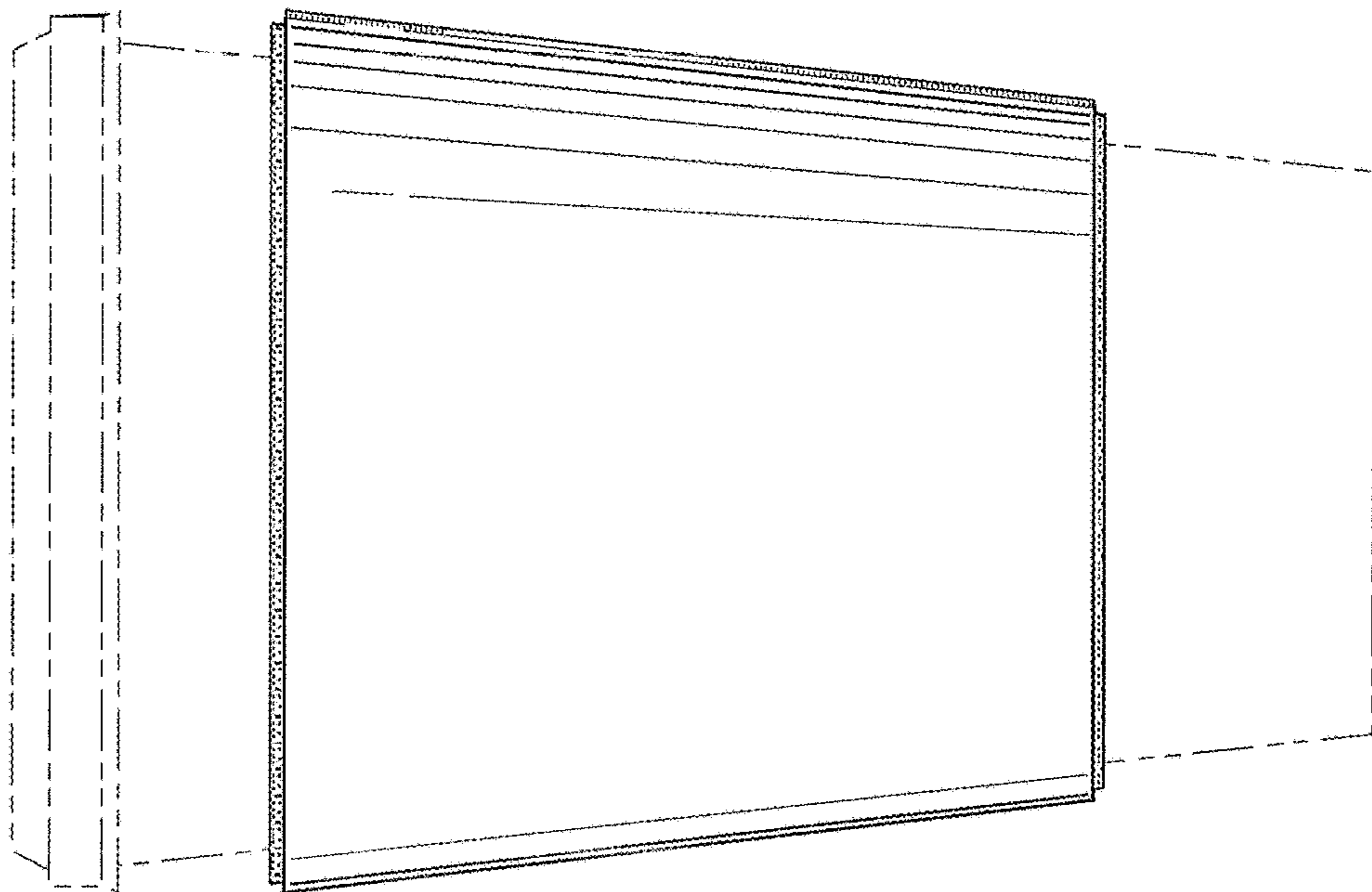


Fig. 5

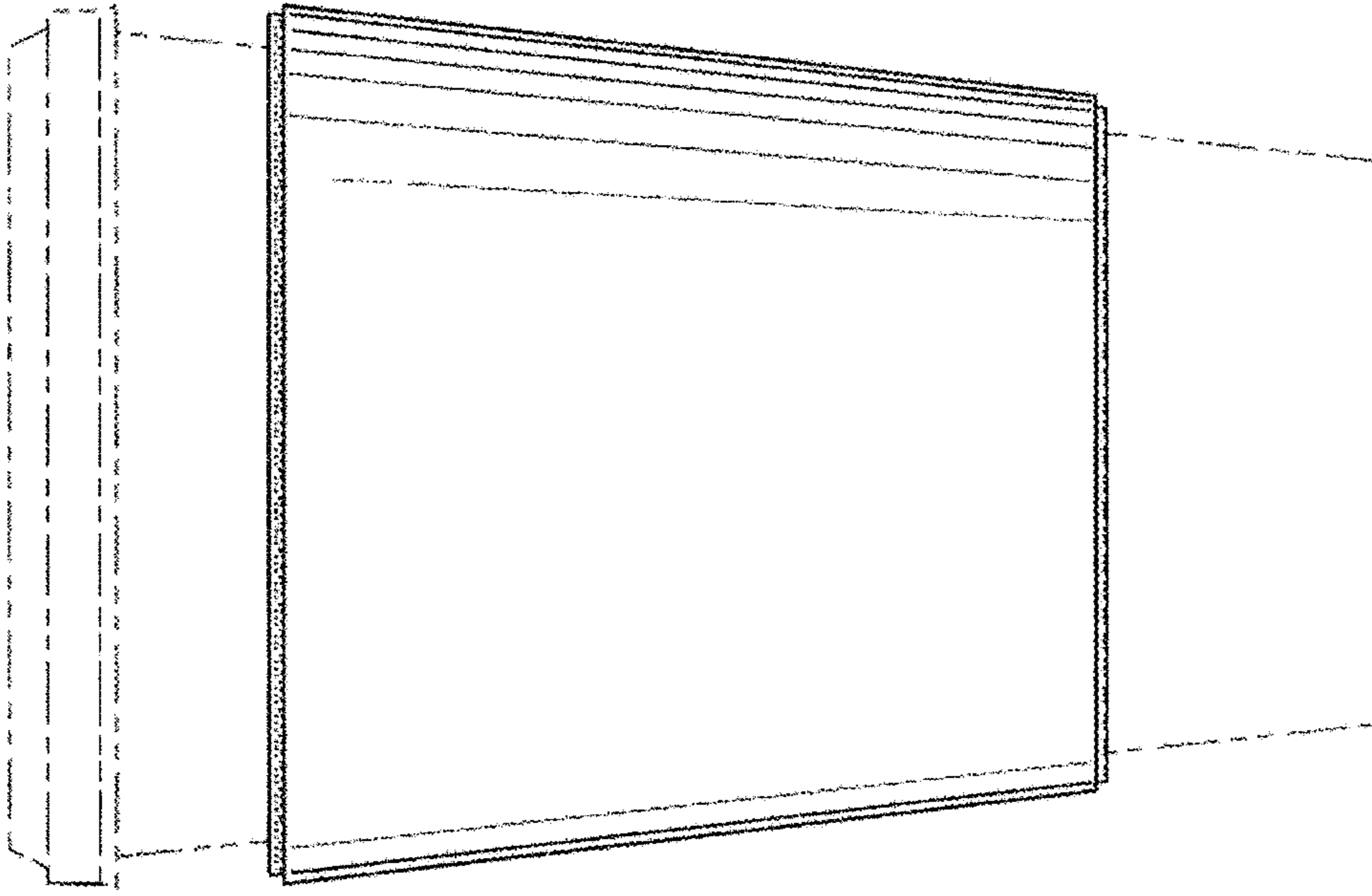


Fig. 4

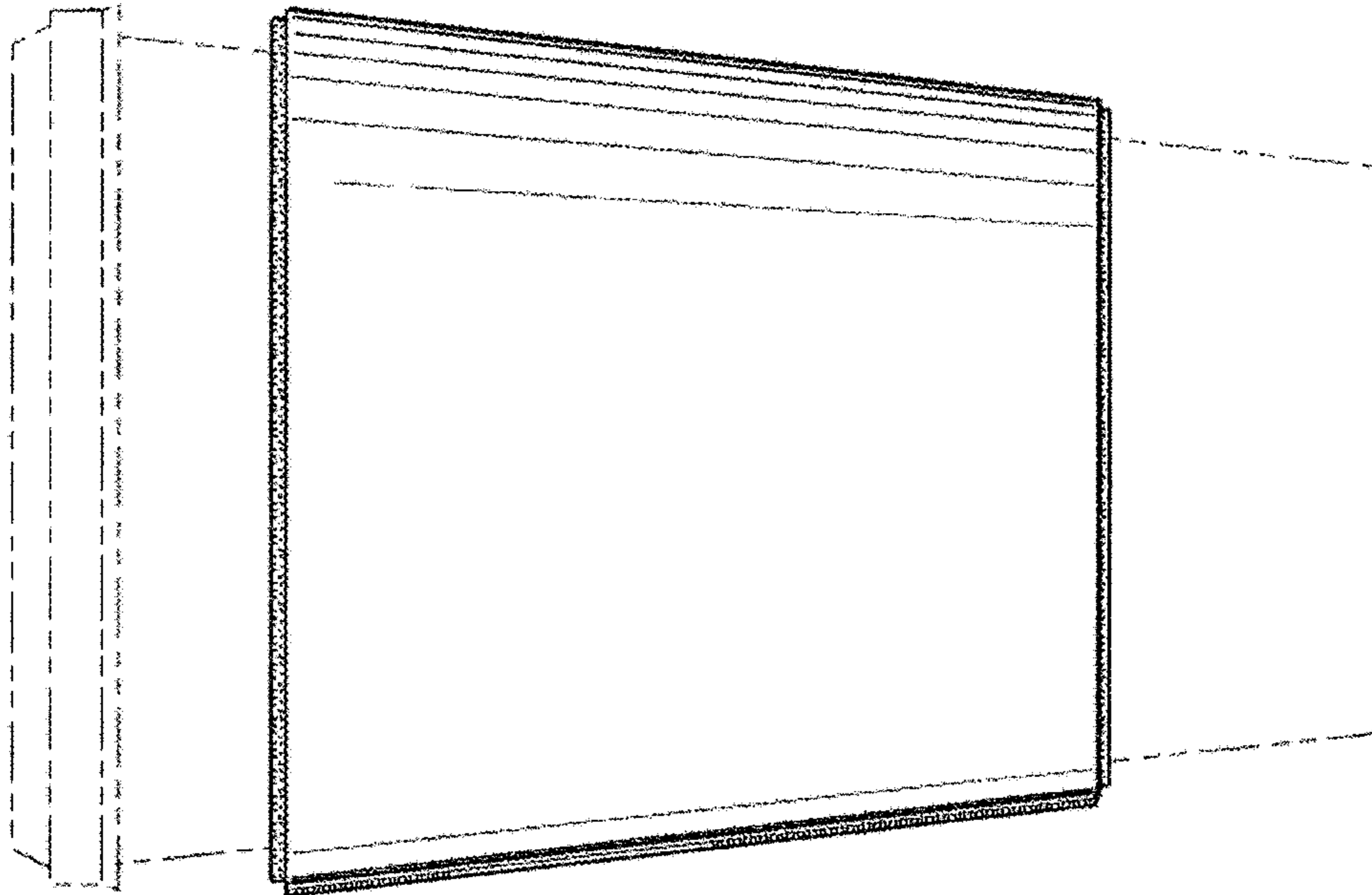


Fig. 7

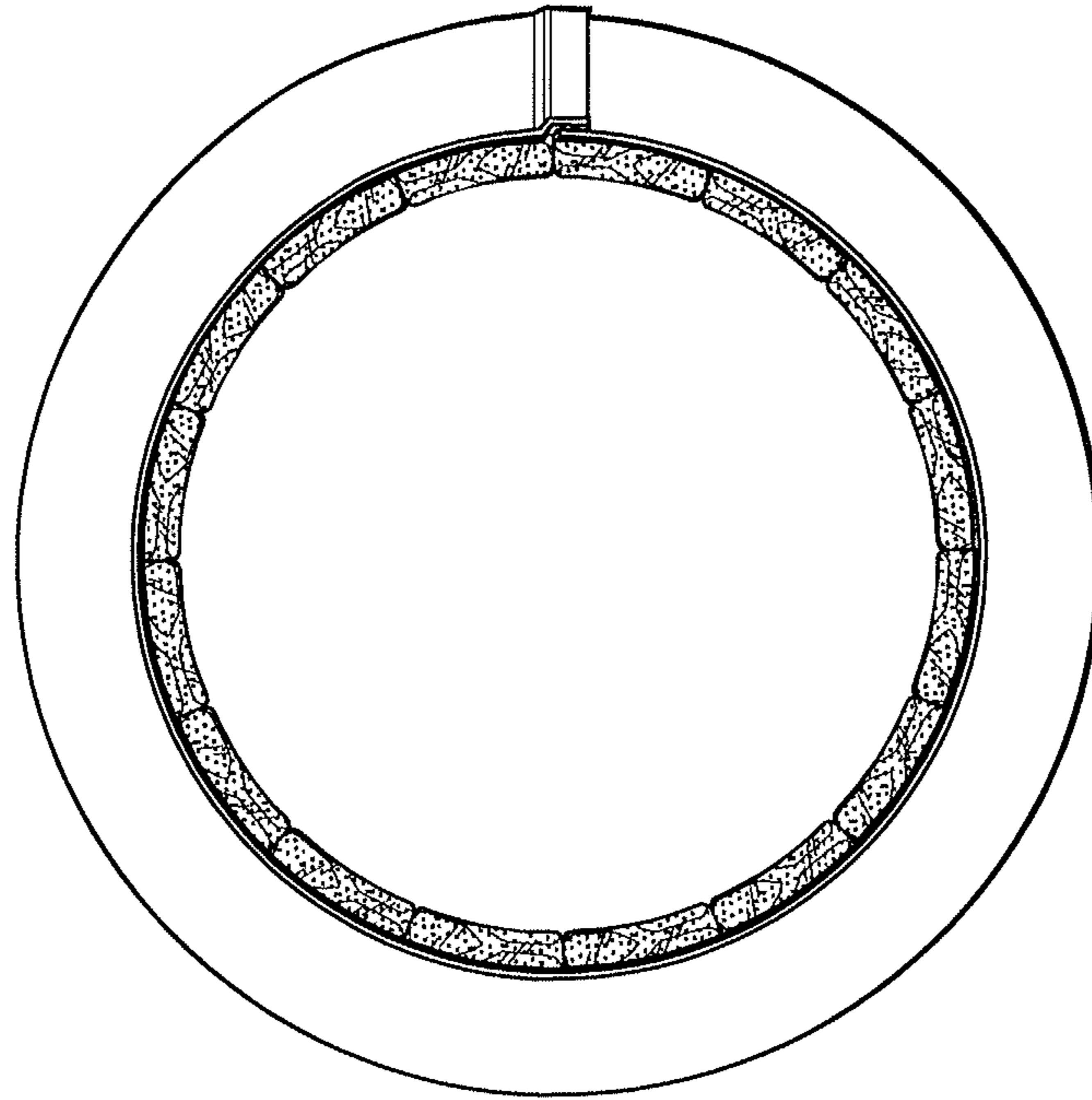


Fig. 6

