



US00D842655S

(12) **United States Design Patent**
Bentzen

(10) **Patent No.:** **US D842,655 S**
(45) **Date of Patent:** **** Mar. 12, 2019**

(54) **DIVIDED FOOD DISH**

(71) Applicant: **Dart Industries Inc.**, Orlando, FL (US)

(72) Inventor: **Josefine Bentzen**, Frederiksberg (DK)

(73) Assignee: **Dart Industries Inc.**, Orlando, FL (US)

(**) Term: **15 Years**

(21) Appl. No.: **29/573,972**

(22) Filed: **Aug. 11, 2016**

Related U.S. Application Data

(63) Continuation-in-part of application No. 29/573,409, filed on Aug. 5, 2016.

(51) **LOC (11) Cl.** **07-07**

(52) **U.S. Cl.**
USPC **D7/602**

(58) **Field of Classification Search**

USPC D7/354, 601-602, 610, 629-630,
D7/707-708, 357, 614, 701, 703, 738,
(Continued)

(56) **References Cited**

U.S. PATENT DOCUMENTS

D72,249 S * 3/1927 Orzo D28/76
2,774,466 A * 12/1956 Liska B65D 47/263
206/538

(Continued)

FOREIGN PATENT DOCUMENTS

IL 10485 * 4/1987

OTHER PUBLICATIONS

Serving Centre, Tupperware, thetupperware.blogspot.com, posted by Tupperware Brands on Jan. 5, 2015 © not listed, online, site visited Sep. 2, 2018. Available from Internet, URL: <https://>

thetupperware.blogspot.com/2015/01/tupperware-catalogue-12015-1-31-january.html?m=1 (Year: 2015).*

(Continued)

Primary Examiner — Shannon W Morgan

Assistant Examiner — Altaira J Swangin

(74) *Attorney, Agent, or Firm* — Taylor J. Ross

(57) **CLAIM**

The ornamental design for a divided food dish, as shown and described.

DESCRIPTION

FIG. 1 is a top, front and right side perspective view of a first embodiment of a divided food dish showing my new design; FIG. 2 is a bottom, rear and right side perspective view thereof;

FIG. 3 is a top plan view thereof;

FIG. 4 is a bottom plan view thereof;

FIG. 5 is a front elevation view, the rear elevation view being identical thereto;

FIG. 6 is a right side elevation view, the left side elevation being identical thereto;

FIG. 7 is a top, front and right side perspective view of a second embodiment of a divided food dish showing my new design;

FIG. 8 is a bottom, rear and right side perspective view thereof;

FIG. 9 is a top plan view thereof;

FIG. 10 is a bottom plan view thereof;

FIG. 11 is a front elevation view thereof;

FIG. 12 is a rear elevation view thereof;

FIG. 13 is a left side elevation view, the right side elevation being a mirror image thereof;

FIG. 14 is a top, front and right side perspective view of a third embodiment of a divided food dish showing my new design;

FIG. 15 is a bottom, rear and right side perspective view thereof;

FIG. 16 is a top plan view thereof;

FIG. 17 is a bottom plan view thereof;

FIG. 18 is a front elevation view, the rear elevation being identical thereto; and,

(Continued)

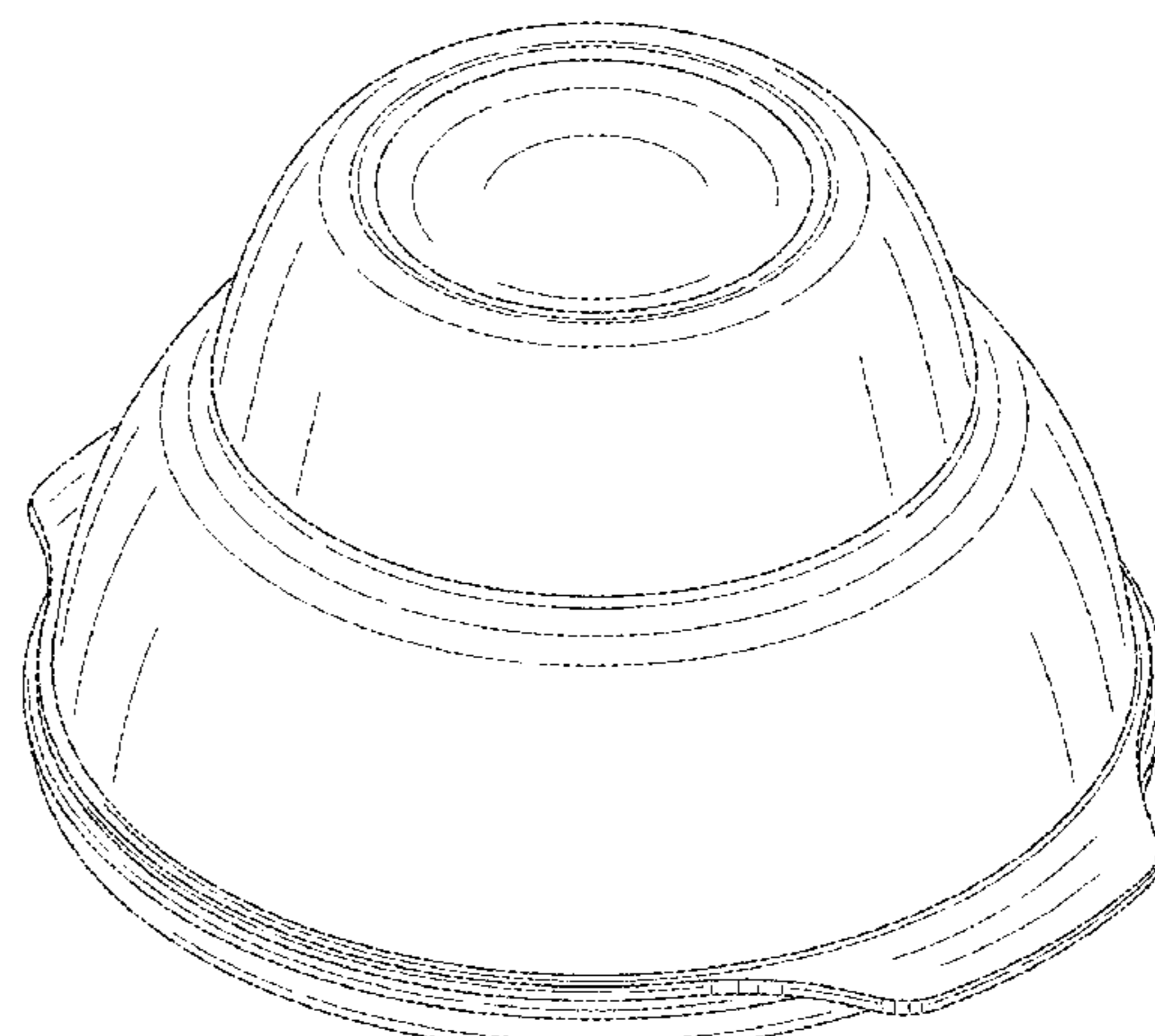
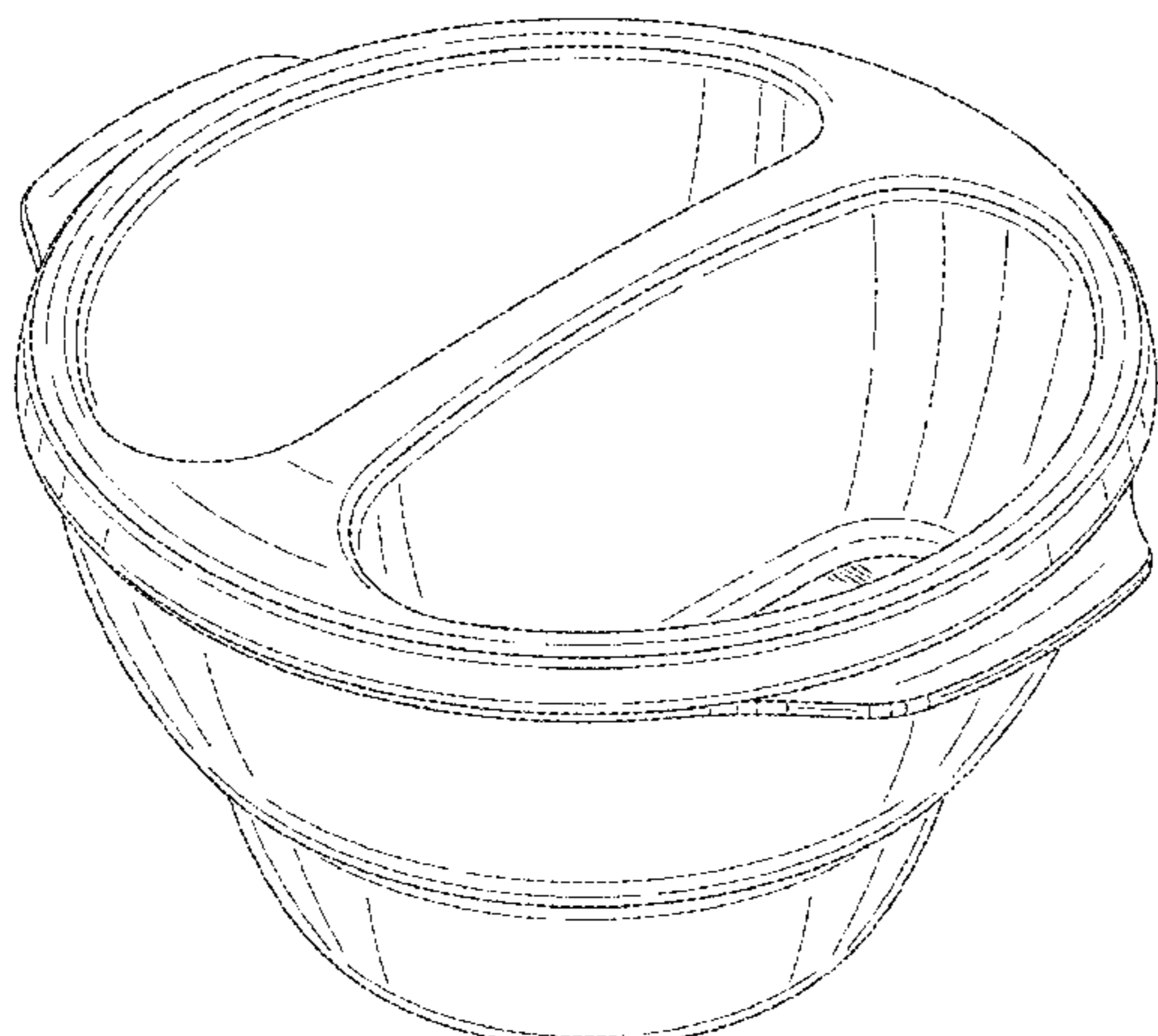


FIG. 19 is a right side elevation view, the left side elevation being identical thereto.

1 Claim, 10 Drawing Sheets

(58) **Field of Classification Search**

USPC D7/747, 756; 206/405, 557;
 D9/424-426, 428, 500-503, 761;
 426/392; 229/903; D99/429
 CPC B65D 1/36; B65D 81/3446; B65D 1/00;
 A47G 23/04; A47G 23/0683; A47G 23/06
 See application file for complete search history.

(56) **References Cited**

U.S. PATENT DOCUMENTS

D185,067 S * 5/1959 Clark, Jr. D7/546
 D193,119 S * 6/1962 Bostrom D9/756
 D208,806 S * 10/1967 Bliss 220/23.4
 D212,109 S * 8/1968 Taylor D7/614
 3,797,694 A * 3/1974 See B65D 43/0212
 220/203.09
 D252,913 S * 9/1979 Barcliff D7/542
 D266,299 S * 9/1982 Taylor D7/540
 4,483,455 A * 11/1984 Prophet, Jr. A47G 23/06
 220/23.83
 D280,965 S * 10/1985 Prophet, Jr. D7/614
 D285,638 S 9/1986 Trivison
 D286,360 S 10/1986 Trivison
 D287,802 S 1/1987 Daenen
 D291,042 S 7/1987 Fahey et al.
 5,139,453 A * 8/1992 Aiken A63F 7/0668
 434/259
 D348,219 S * 6/1994 Goldberg D3/203.4
 D383,354 S * 9/1997 Nassar D7/357
 D415,421 S * 10/1999 McCann D7/549

6,382,452 B1 * 5/2002 Getachew B65D 21/0204
 220/23.4
 D483,999 S * 12/2003 Beachum D7/357
 D515,874 S * 2/2006 Aalberts
 D542,706 S * 5/2007 Prenatt D11/152
 D551,024 S * 9/2007 Rouso D7/555
 D636,219 S 4/2011 Cornu et al.
 D649,413 S * 11/2011 Coursey D7/673
 D674,666 S 1/2013 Pallotto
 D676,284 S 2/2013 Pallotto
 D693,179 S * 11/2013 Vujea D7/555
 D729,577 S * 5/2015 Dirks D7/507
 D734,097 S * 7/2015 Vue D7/553.1
 D738,170 S * 9/2015 Dorn D7/701
 D794,475 S * 8/2017 Now D9/738
 D795,705 S * 8/2017 Huang D9/738
 D796,919 S * 9/2017 Janowitz D3/295
 D803,687 S * 11/2017 Fernandez D9/500
 D808,796 S * 1/2018 Steel D9/428
 D823,697 S * 7/2018 Bumpass D9/732
 D831,443 S * 10/2018 Zhang D7/701
 2007/0084810 A1 * 4/2007 Morris A47K 1/09
 211/65
 2017/0202342 A1 * 7/2017 Won A45D 40/24
 2018/0339804 A1 * 11/2018 Choi B65D 21/0233

OTHER PUBLICATIONS

Microwave-Reheatable Containers, CrystalWave, order.tupperware.com, posted by Tupperware in mid-September catalog Oct. 14, 2011 © Tupperware, online, site visited Aug. 29, 2018. Available from URL: file:///H:/019%20FOOD%20PREP/29-573409% 20Bow1%20and%20Covered%20Bowl%20-%20Dart/npl/NPL%202a.pdf (Year: 2011).*

CrystalWave Divided Dish, Tupperware, tupperbites.blogspot.com, posted by Tupperware India on Sep. 28, 2015 © not listed, online, site visited Sep. 4, 2018. Available from Internet, URL: http://tupperbites.blogspot.com/2015/09/october-2015-flyer.html (Year: 2015).*

* cited by examiner

FIG. 1

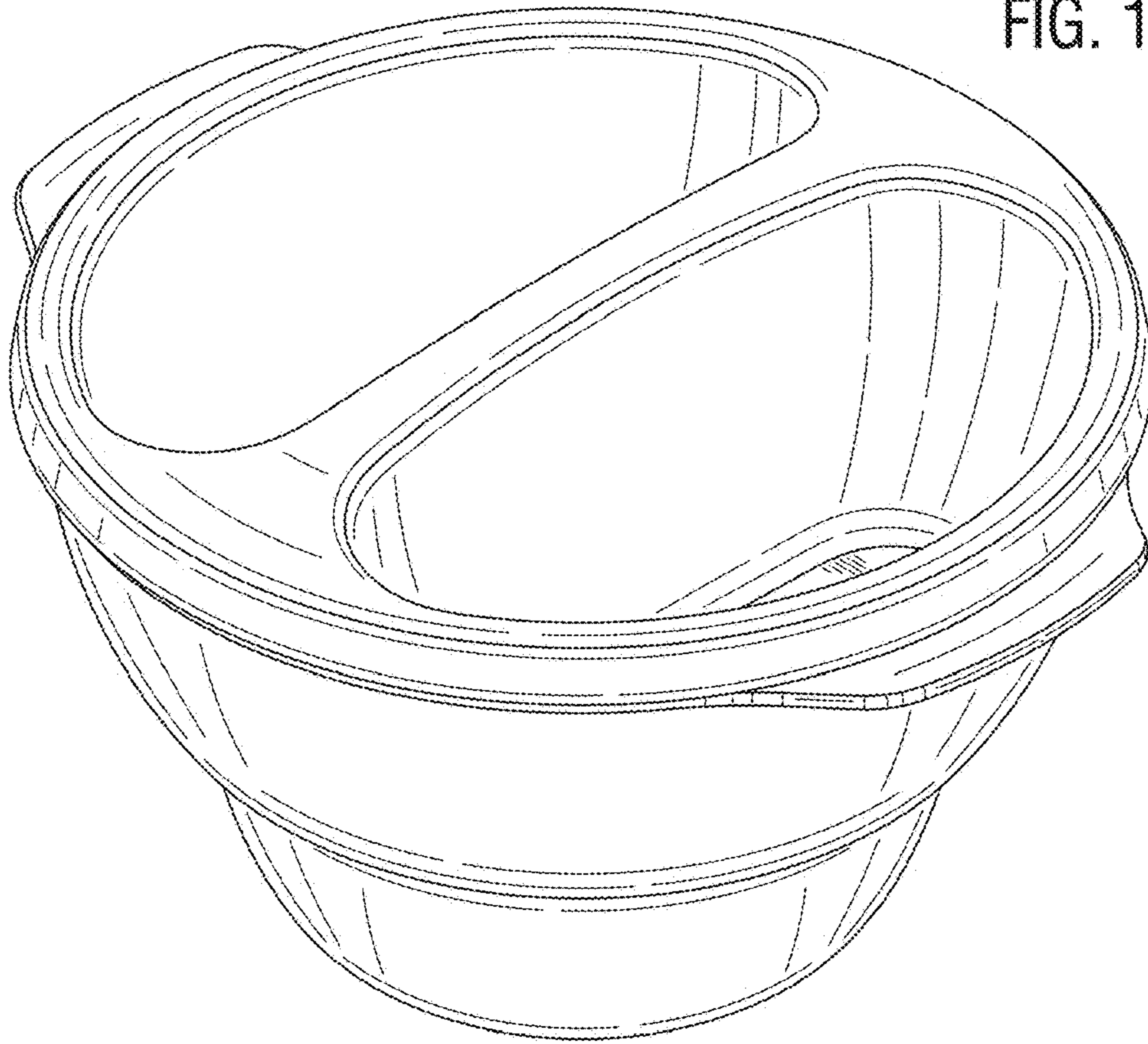


FIG. 2

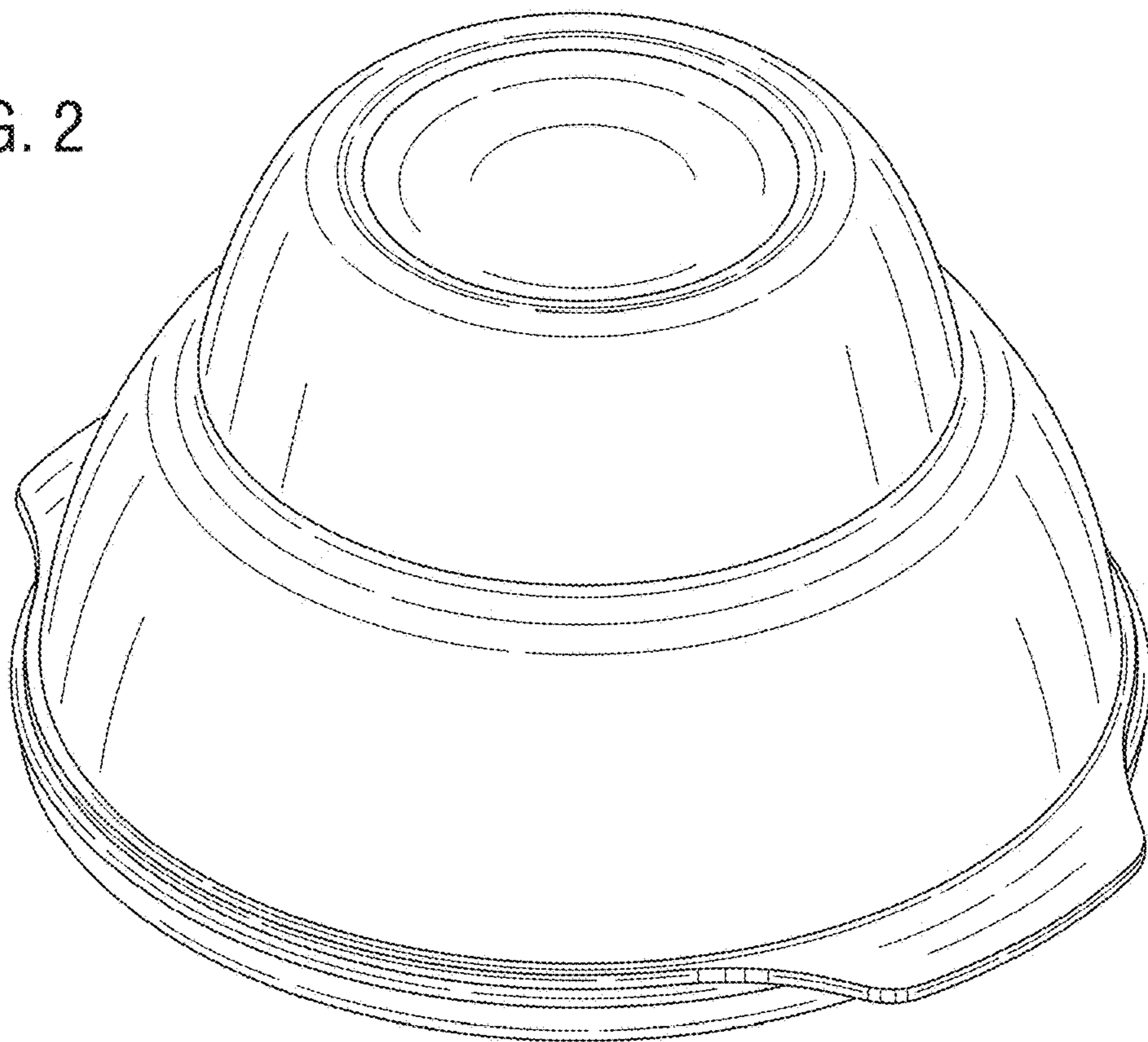


FIG. 3

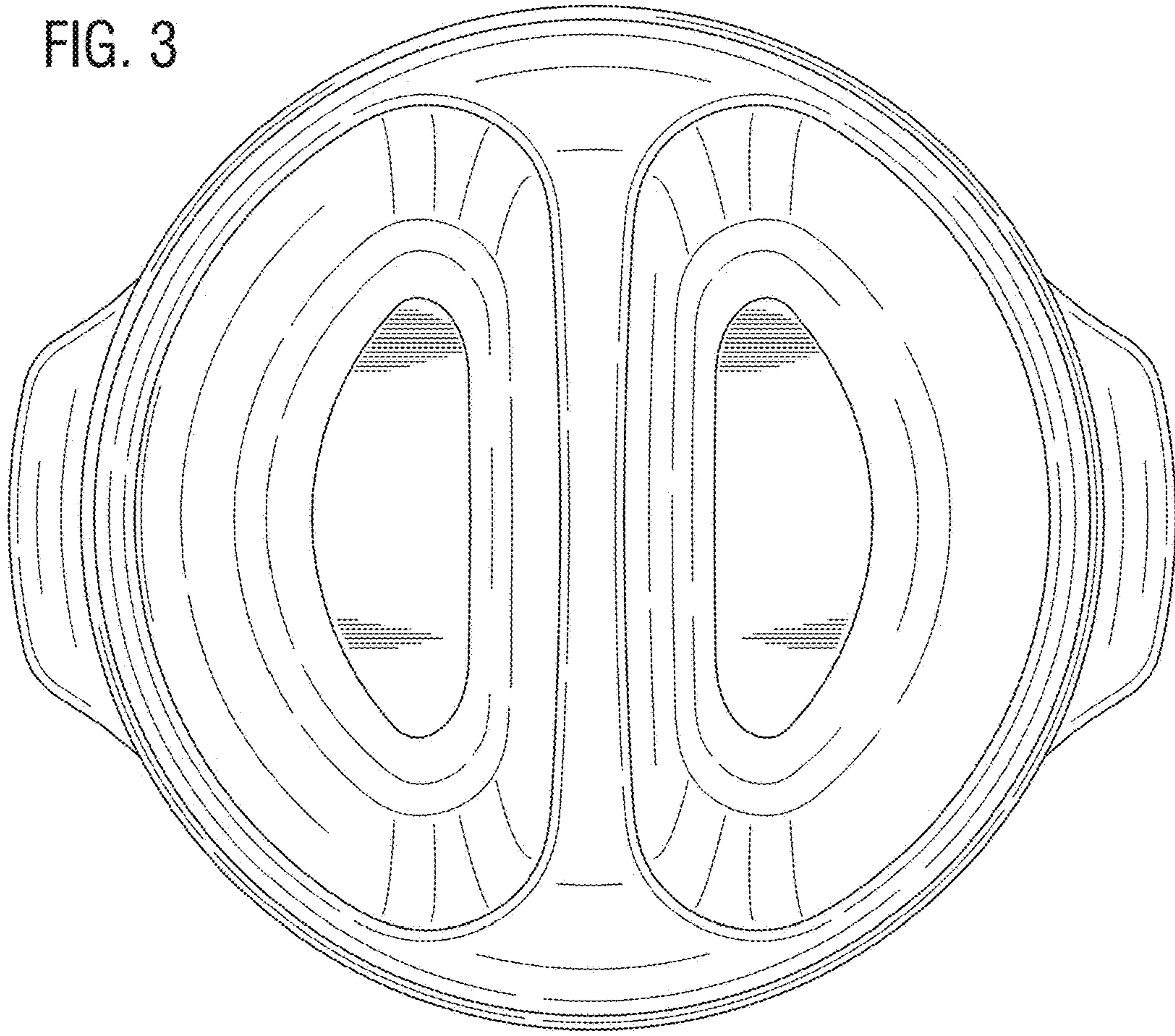


FIG. 5

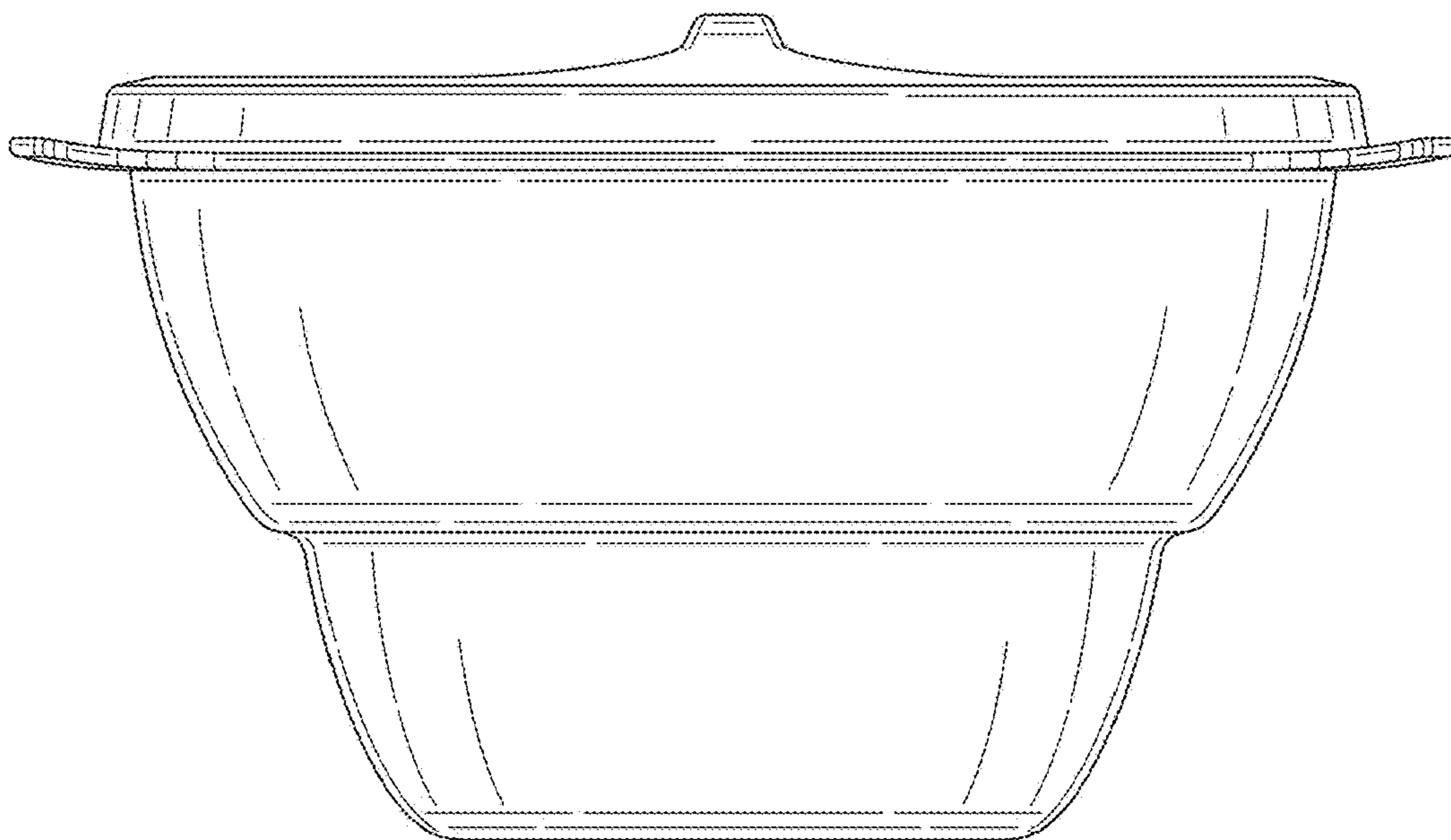


FIG. 4

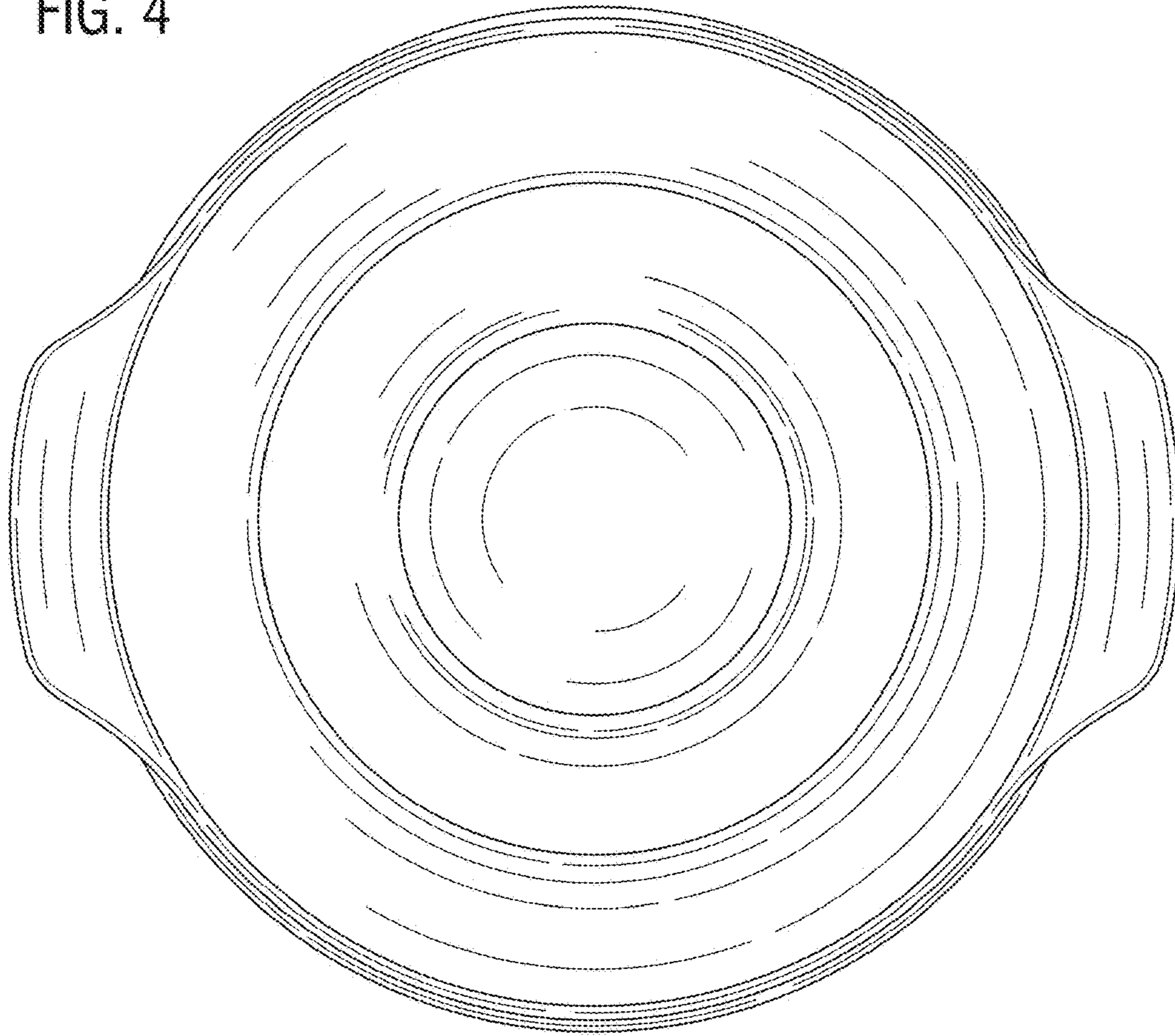


FIG. 6

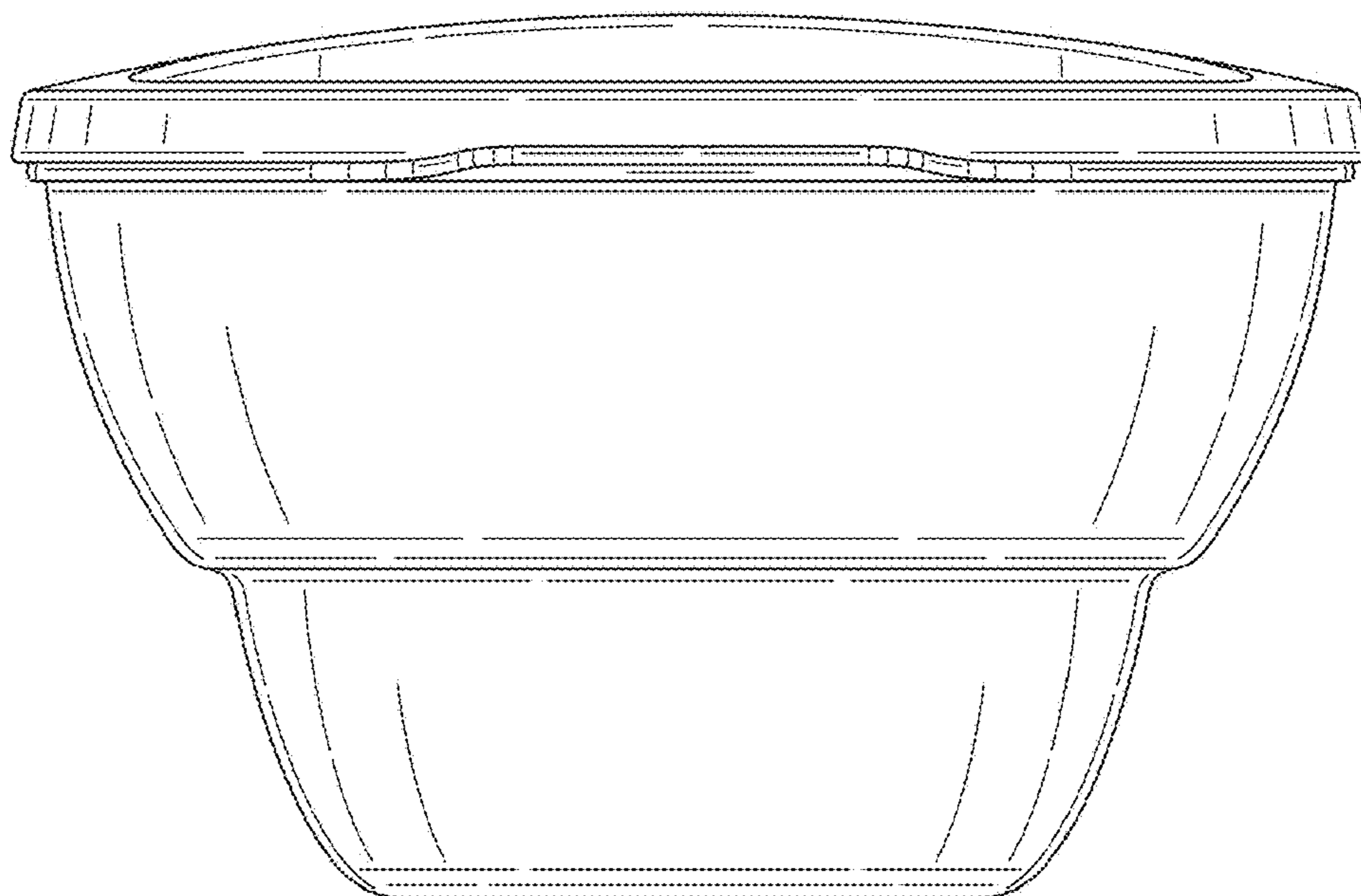


FIG. 7

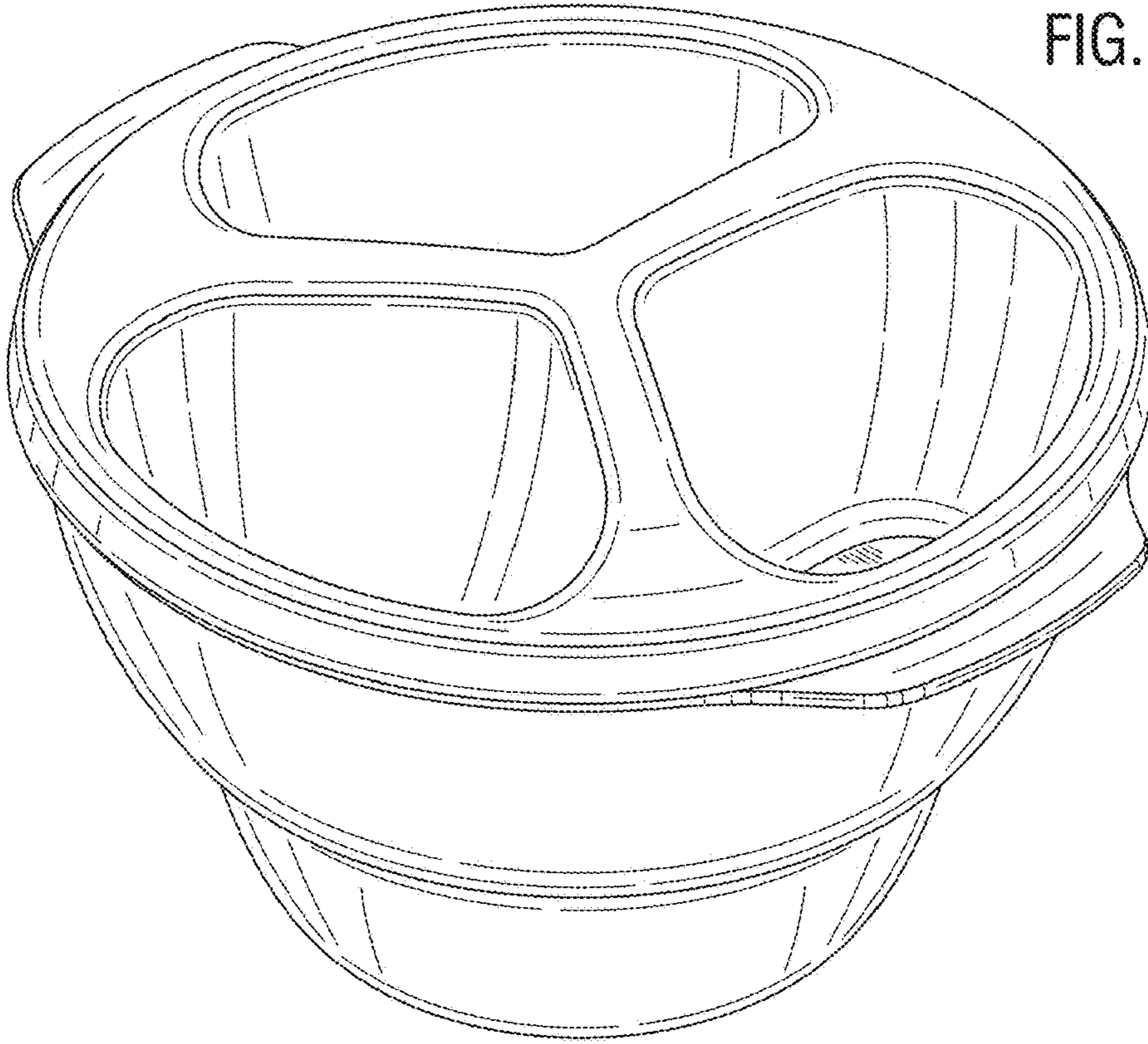


FIG. 8

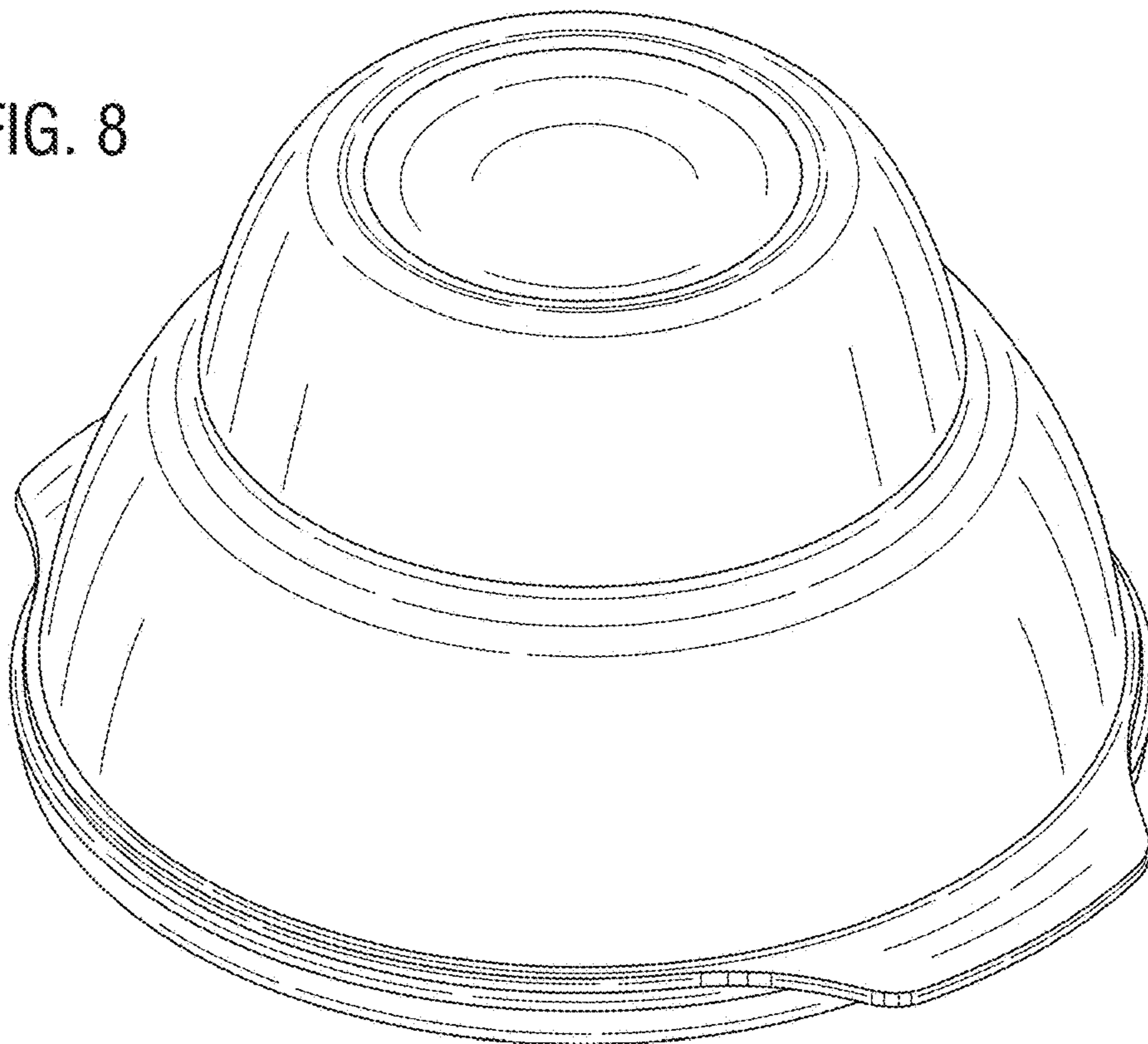


FIG. 9

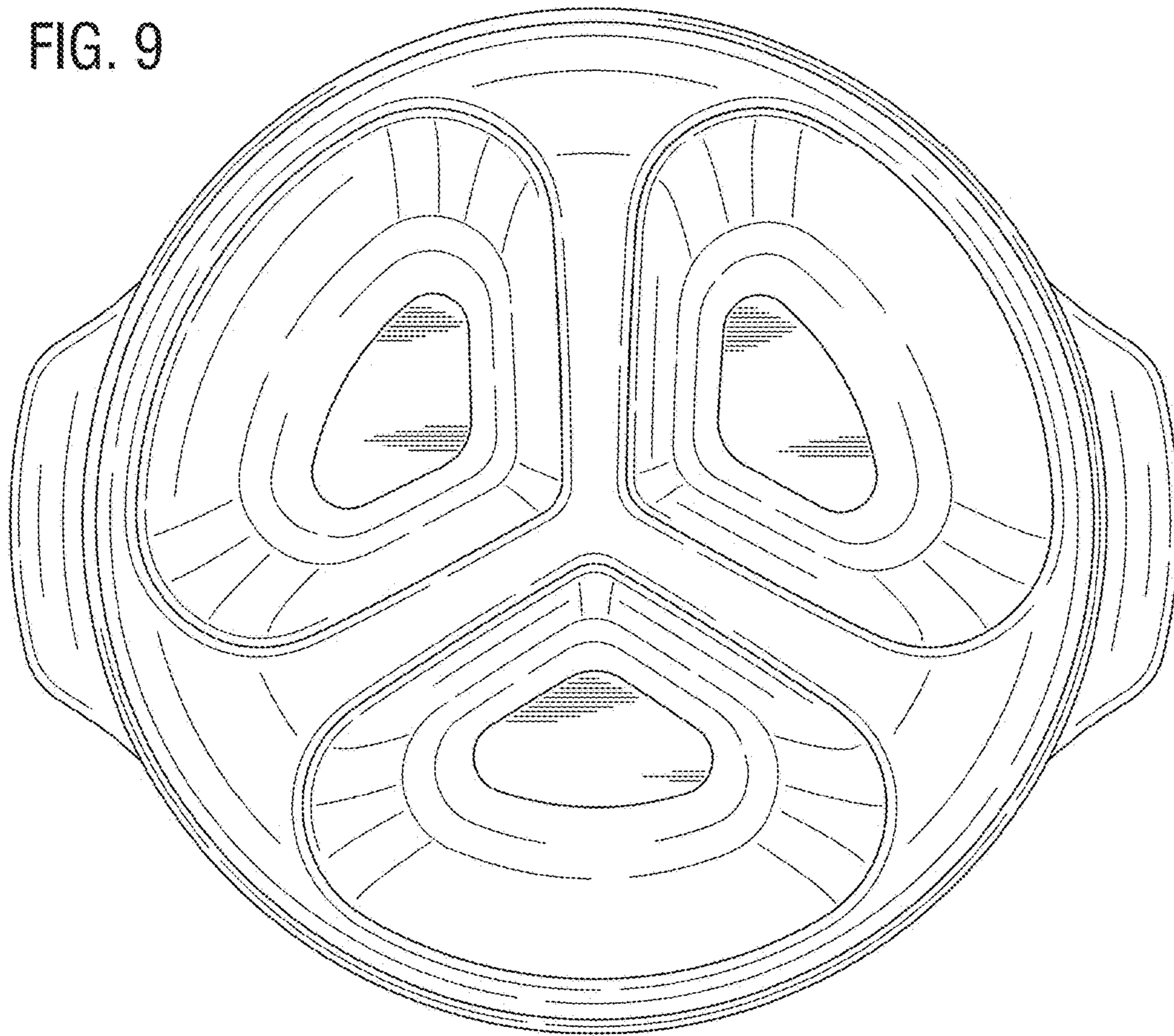


FIG. 11

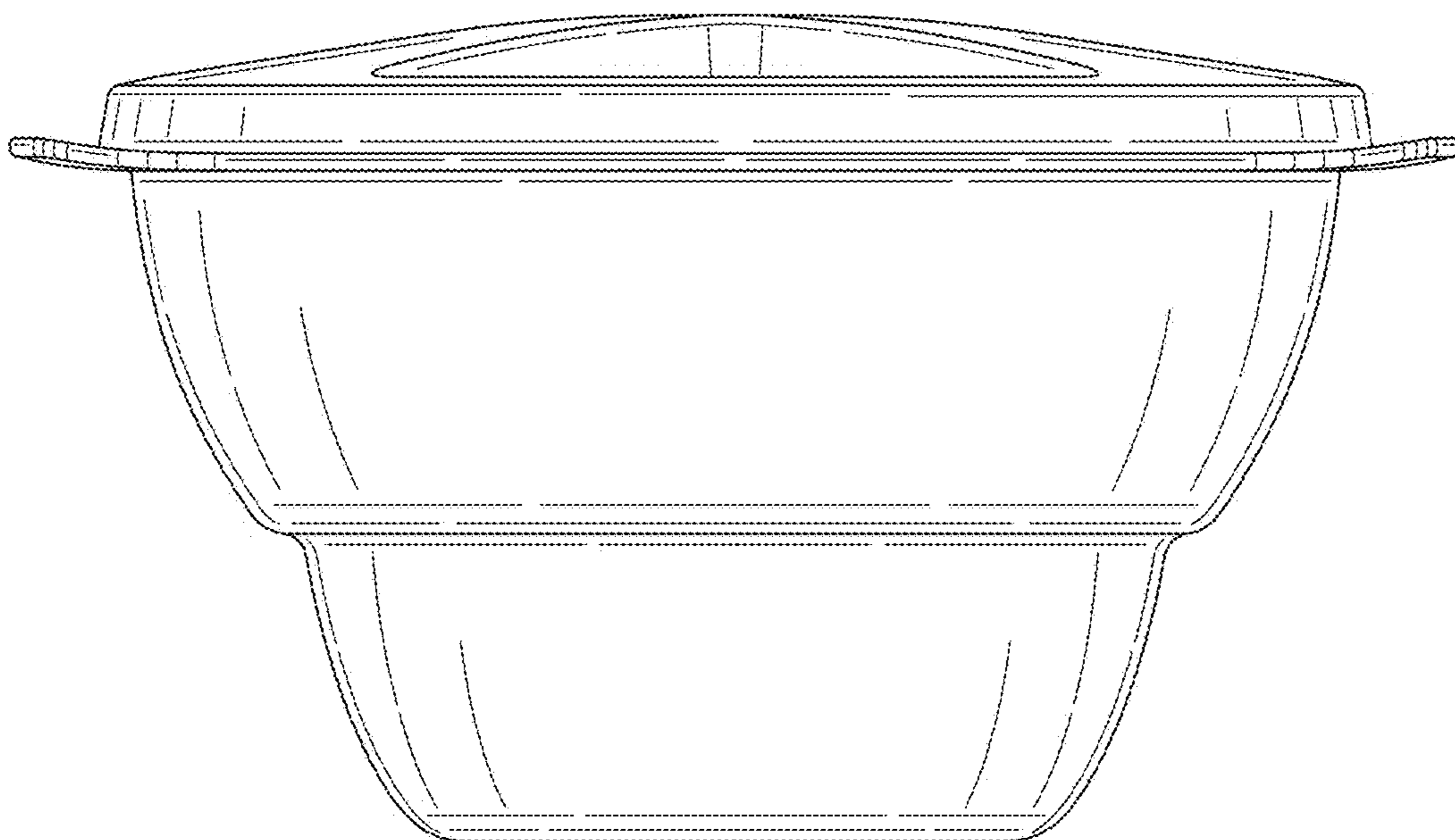


FIG. 10

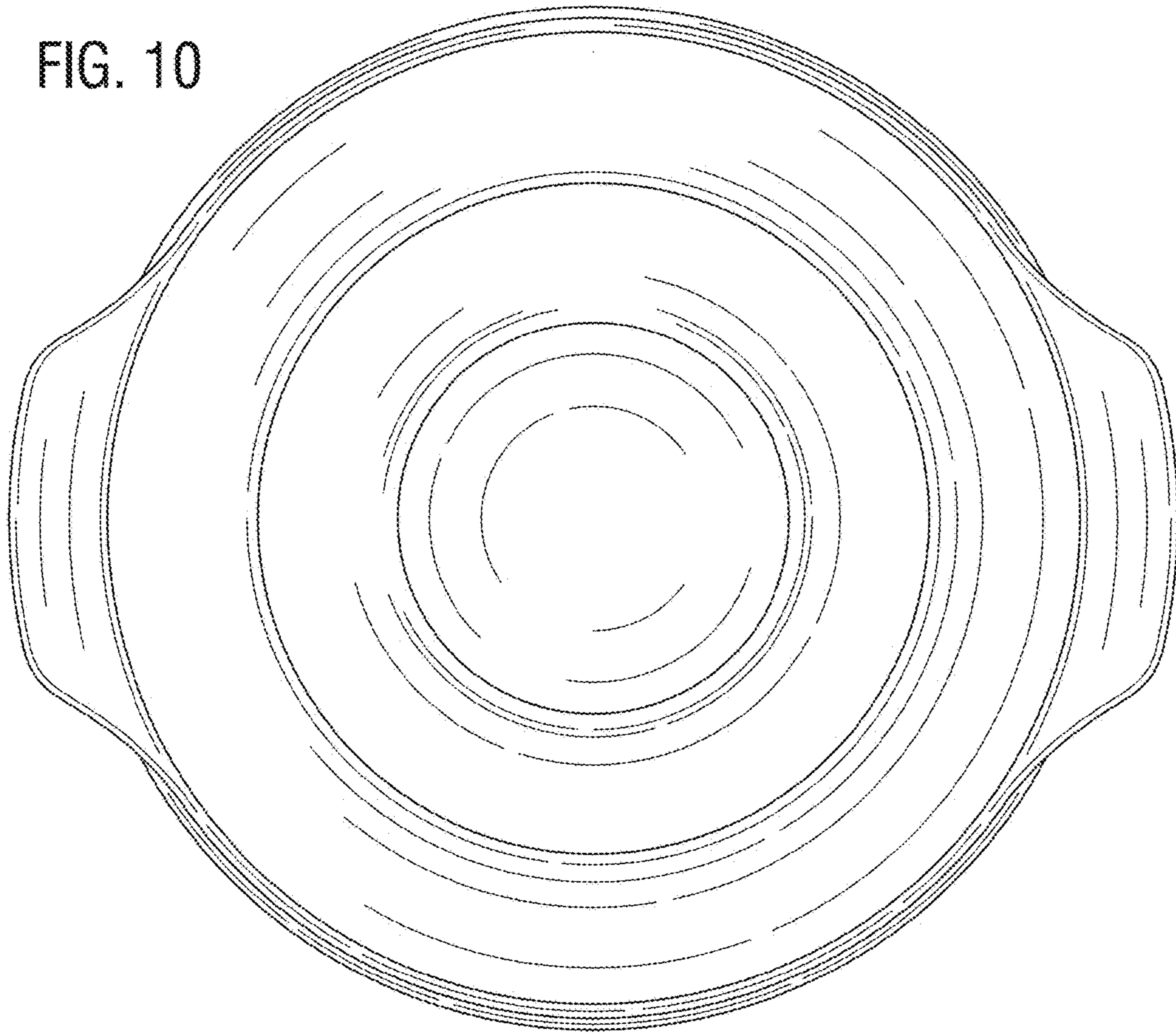


FIG. 12

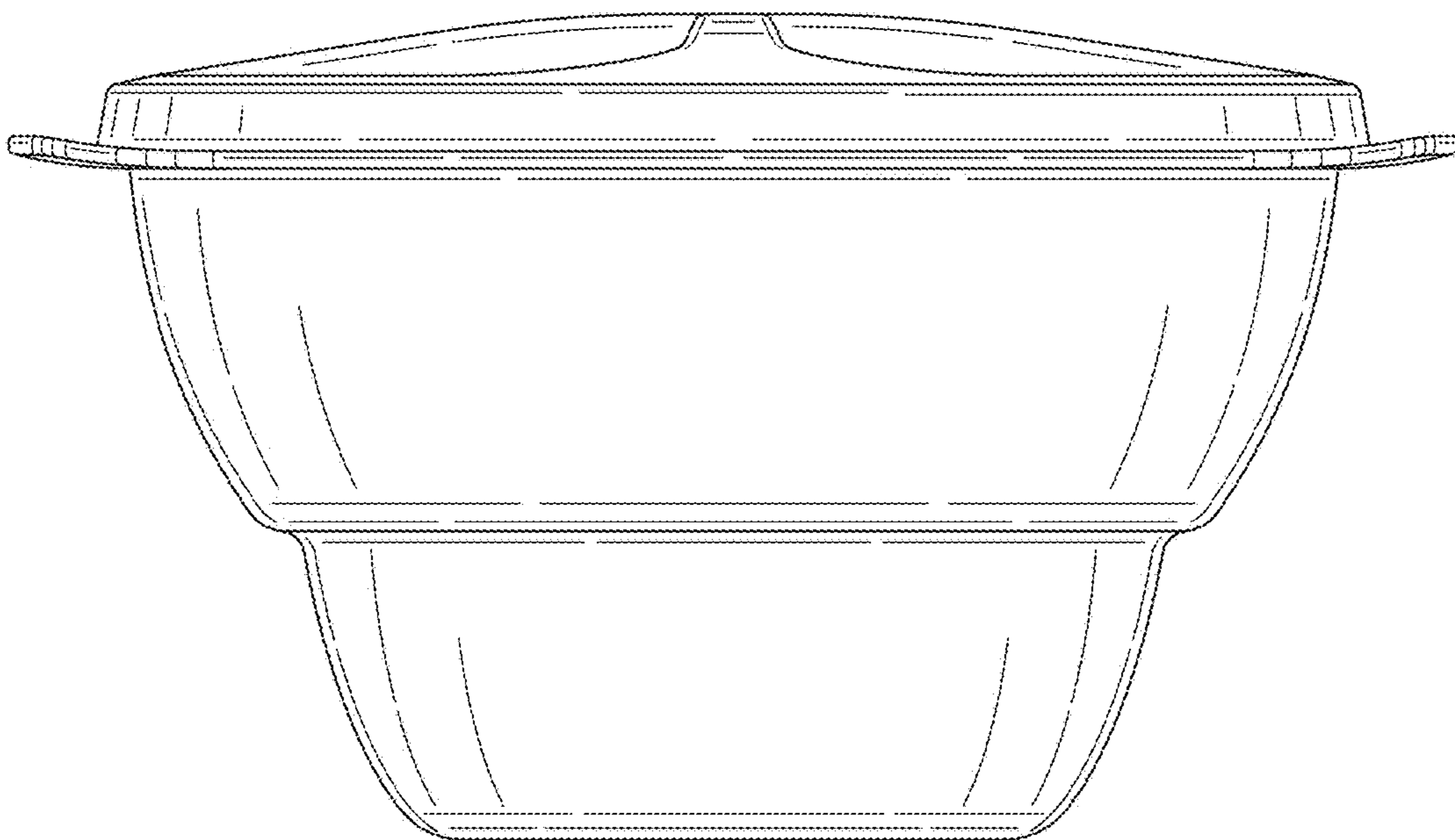


FIG. 13

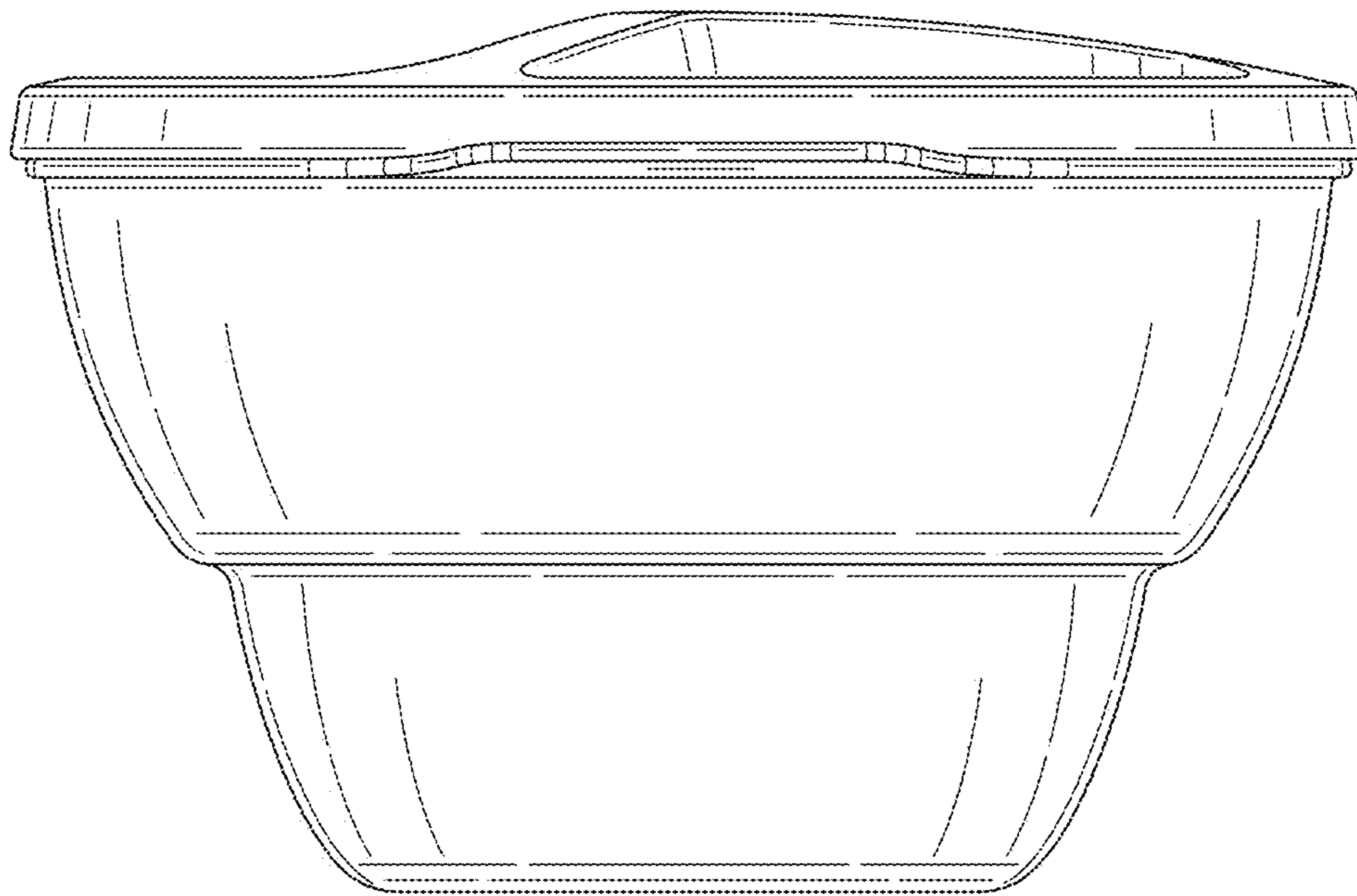


FIG. 14

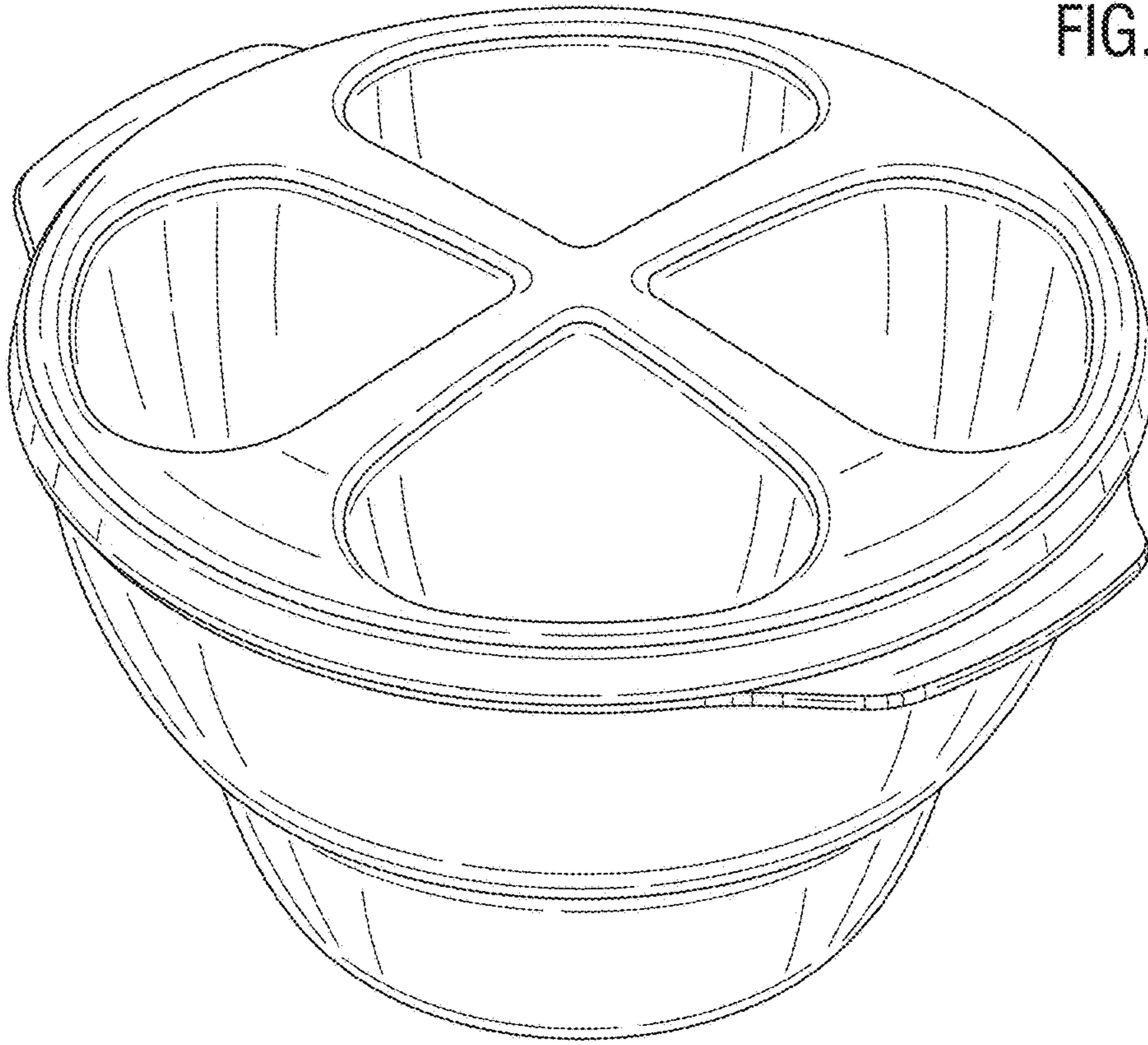


FIG. 15

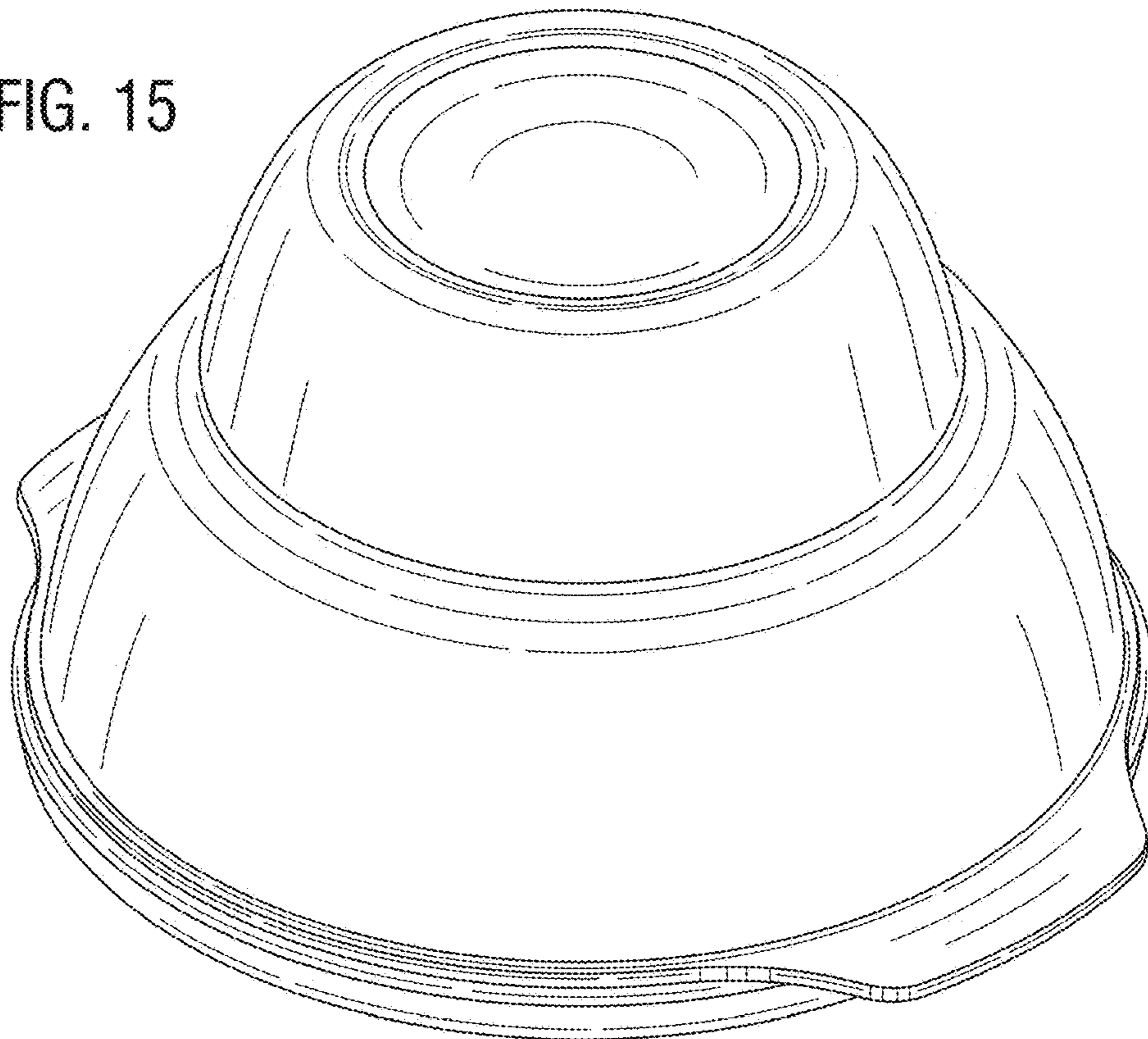


FIG. 16

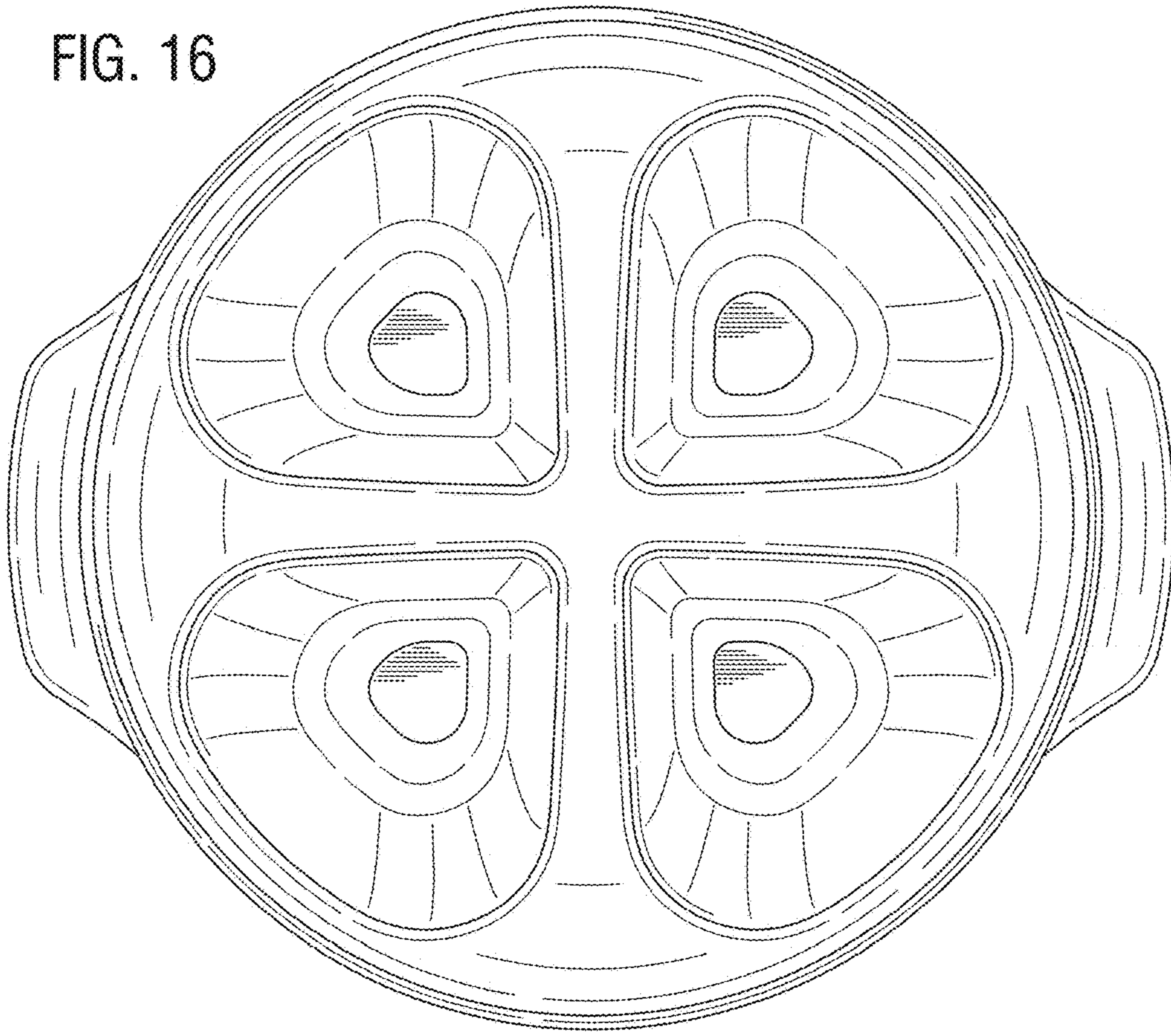


FIG. 18

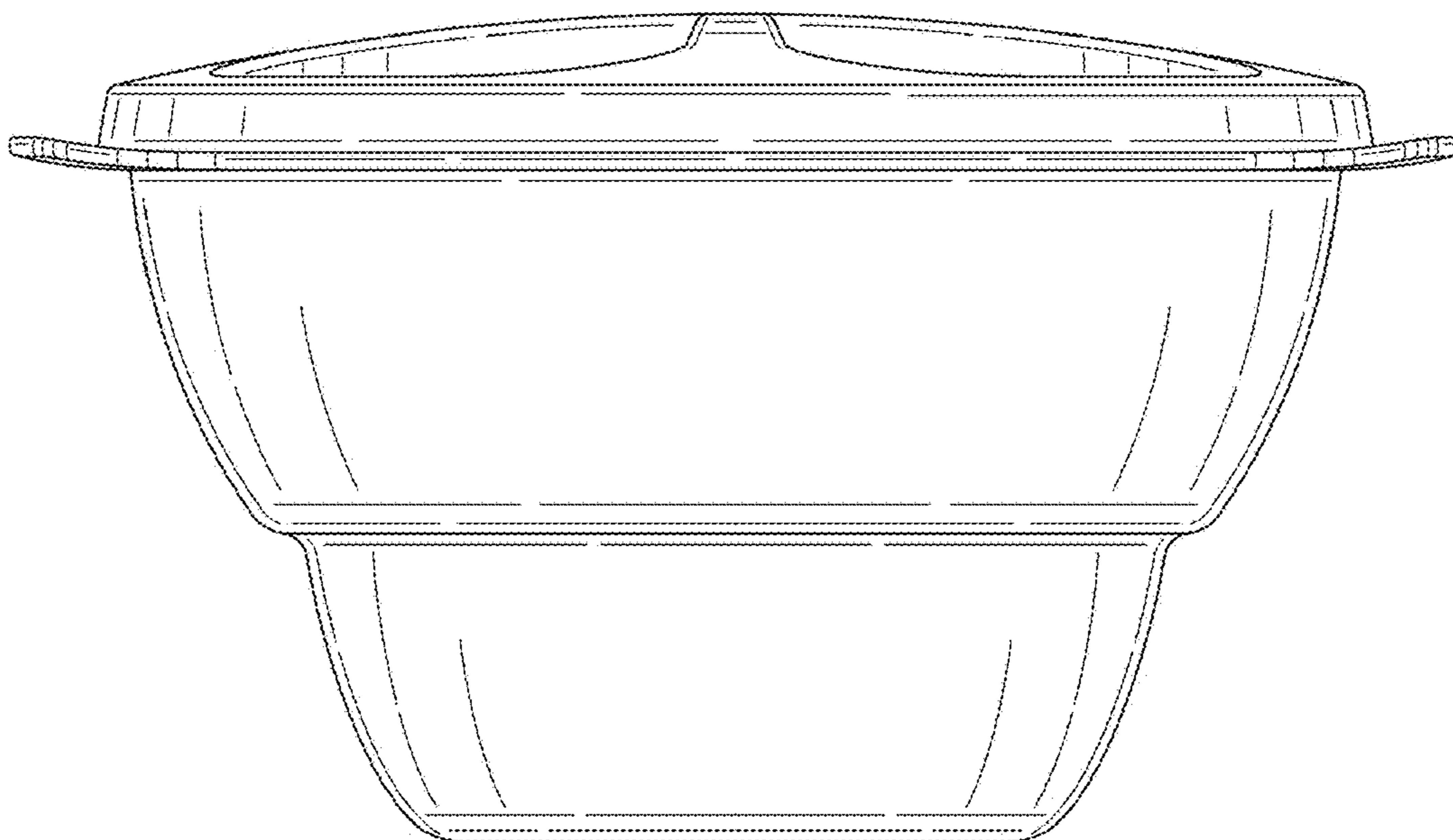


FIG. 17

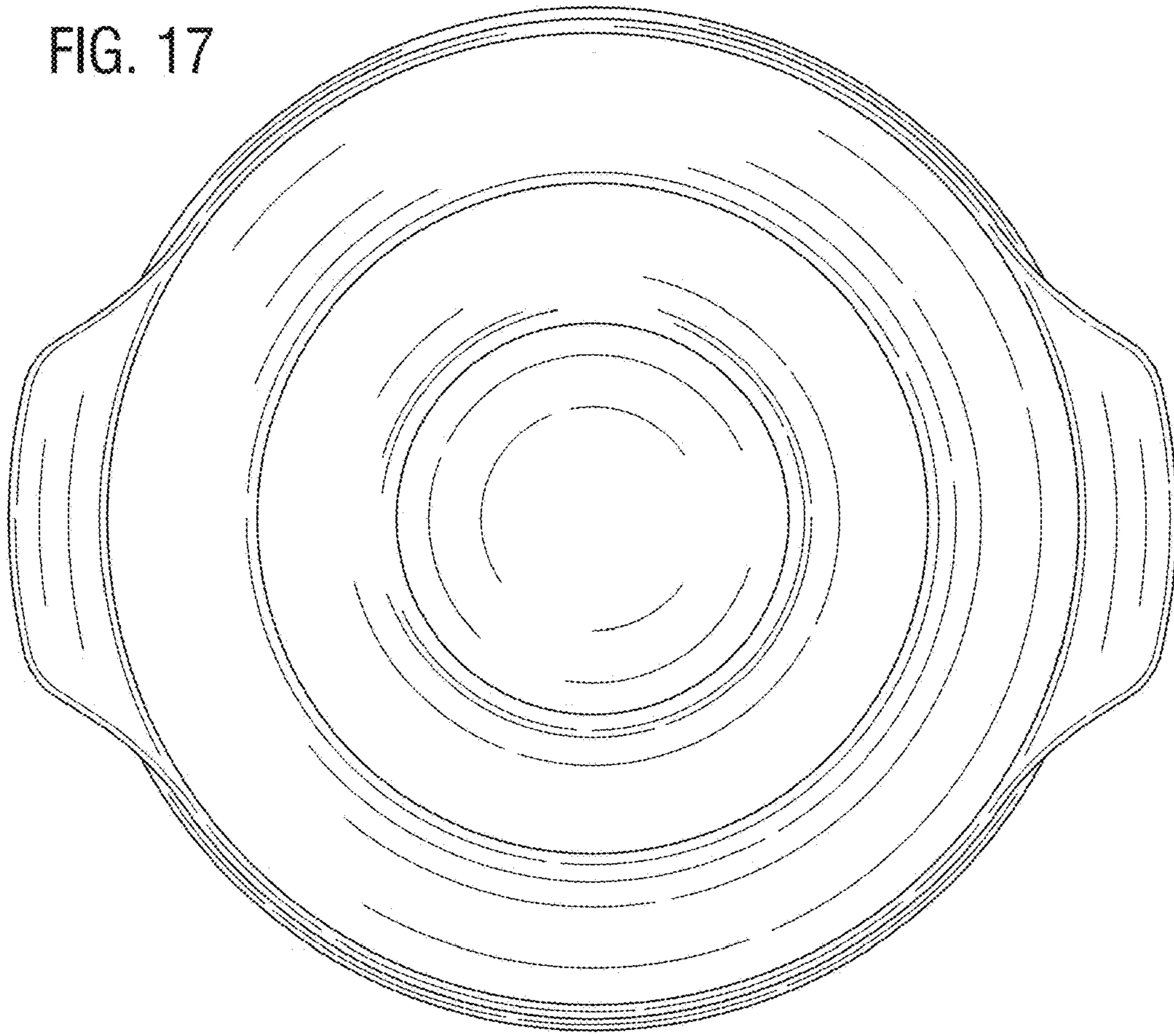


FIG. 19

