



US00D842652S

(12) **United States Design Patent**
Huang

(10) **Patent No.:** **US D842,652 S**

(45) **Date of Patent:** **** Mar. 12, 2019**

(54) **PORTABLE WATER BOTTLE**

(71) Applicant: **Chu-Chau Huang**, New Taipei (TW)

(72) Inventor: **Chu-Chau Huang**, New Taipei (TW)

(**) Term: **15 Years**

(21) Appl. No.: **29/627,245**

(22) Filed: **Nov. 24, 2017**

(51) **LOC (11) Cl.** **07-01**

(52) **U.S. Cl.**

USPC **D7/507**; D7/531; D7/510; D7/529

(58) **Field of Classification Search**

USPC D7/507, 509, 510, 511, 523, 529, 531,
D7/532, 533, 536, 392.1, 396.2, 300.2,
D7/608, 387, 589; D9/500, 501, 502,
D9/503, 530, 516, 453, 447, 531;
220/592.16, 592.17; D10/46.2; D24/197;
D3/202

CPC A47G 19/2205; A47G 19/22; A47G
19/2266; B65D 47/066; A45F 3/16; A47J
41/02

See application file for complete search history.

(56) **References Cited**

U.S. PATENT DOCUMENTS

D350,374 S *	9/1994	Comeau	D19/90
D575,583 S *	8/2008	Morgan	D7/509
D591,589 S *	5/2009	Myers	D7/615
D596,459 S *	7/2009	Ghiassi	D7/510
D621,220 S *	8/2010	Lown	D7/300.1
D658,006 S *	4/2012	Yao	D7/505
D686,448 S *	7/2013	Boroski	D7/392.1
D704,558 S *	5/2014	Weiss	D9/500
D730,120 S *	5/2015	He	D7/507
D778,173 S *	2/2017	Pisarevsky	D3/203.3
D809,285 S *	2/2018	Sola	D3/202
D818,774 S *	5/2018	Stover	D7/510
2017/0225833 A1 *	8/2017	Ni	B65D 23/12

* cited by examiner

Primary Examiner — Marianne N Pandozzi

Assistant Examiner — Jae Liang

(74) *Attorney, Agent, or Firm* — Li & Cai Intellectual Property (USA) Office

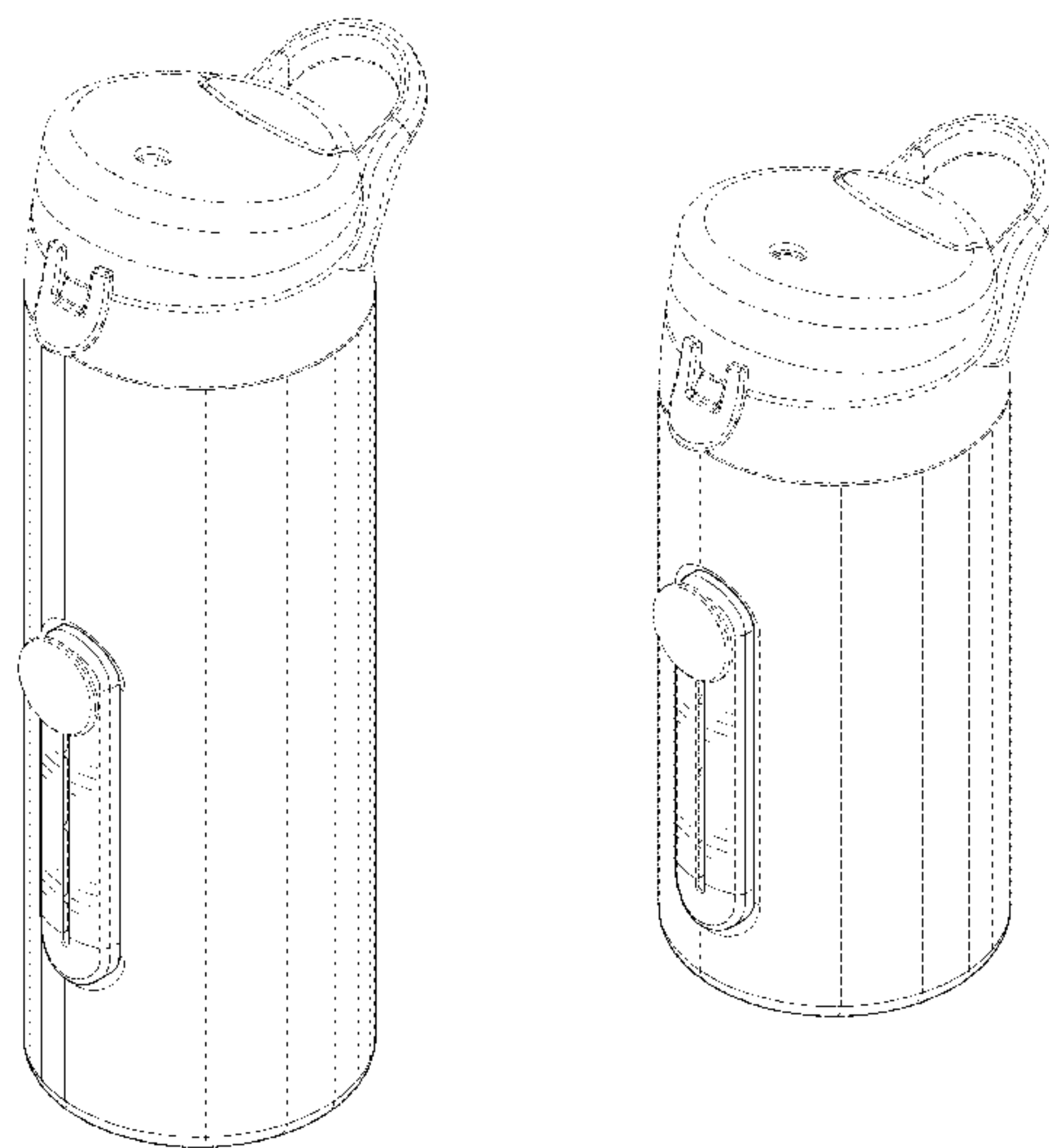
(57) **CLAIM**

The ornamental design for a “portable water bottle,” as shown and described.

DESCRIPTION

FIG. 1 is a perspective view of a first embodiment of a portable water bottle showing my new design;
 FIG. 2 is a front view of the first embodiment thereof;
 FIG. 3 is a rear view of the first embodiment thereof;
 FIG. 4 is a left side view of the first embodiment thereof;
 FIG. 5 is a right side view of the first embodiment thereof;
 FIG. 6 is a top view of the first embodiment thereof;
 FIG. 7 is a bottom view of the first embodiment thereof;
 FIG. 8 is a perspective view viewed from another visual angle of the first embodiment thereof;
 FIG. 9 is a perspective view of a second embodiment of a portable water bottle showing my new design;
 FIG. 10 is a front view of the second embodiment thereof;
 FIG. 11 is a rear view of the second embodiment thereof;
 FIG. 12 is a left side view of the second embodiment thereof;
 FIG. 13 is a right side view of the second embodiment thereof;
 FIG. 14 is a top view of the second embodiment thereof;
 FIG. 15 is a bottom view of the second embodiment thereof;
 and,
 FIG. 16 is a perspective view viewed from another visual angle of the second embodiment thereof.
 The broken lines in the drawings depict portions of the portable water bottle that form no part of the claimed design.

1 Claim, 14 Drawing Sheets



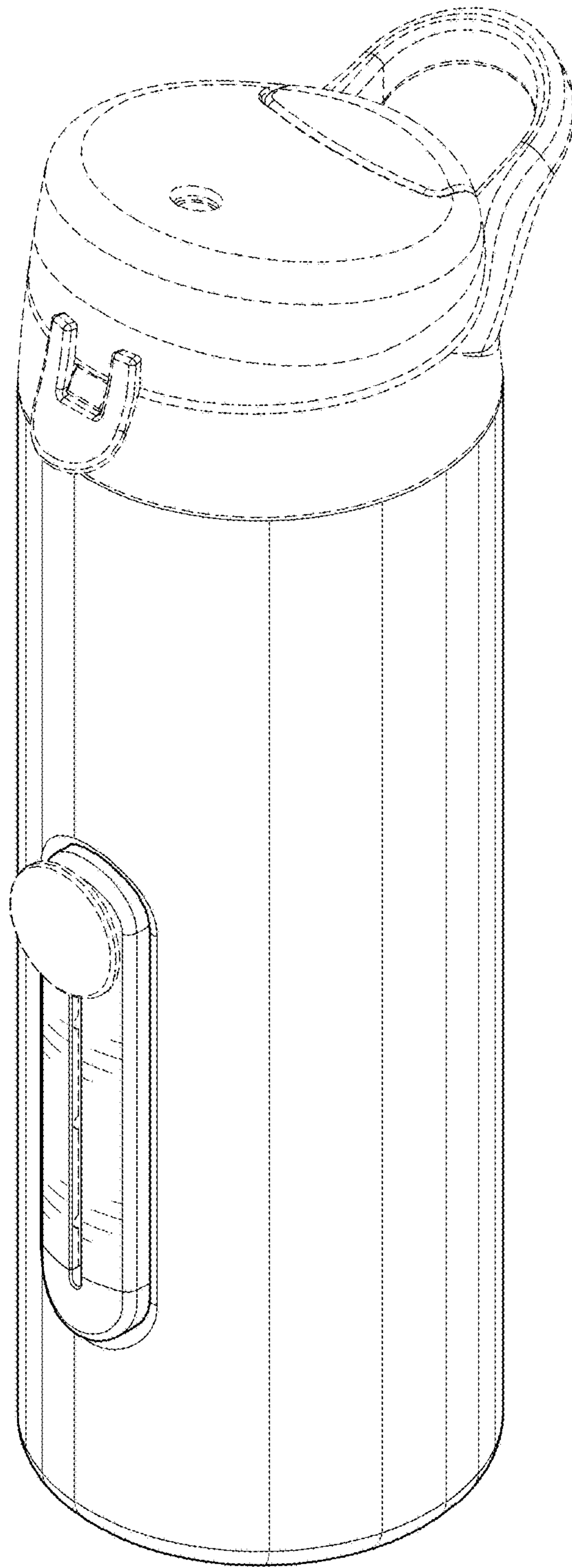


FIG. 1

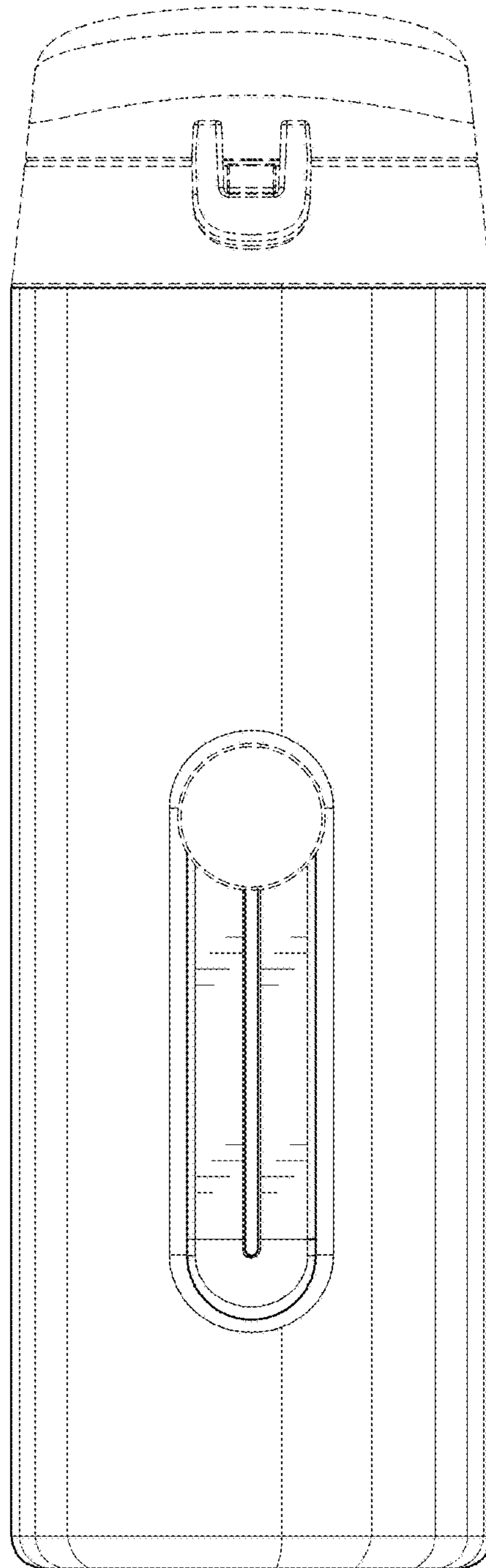


FIG. 2

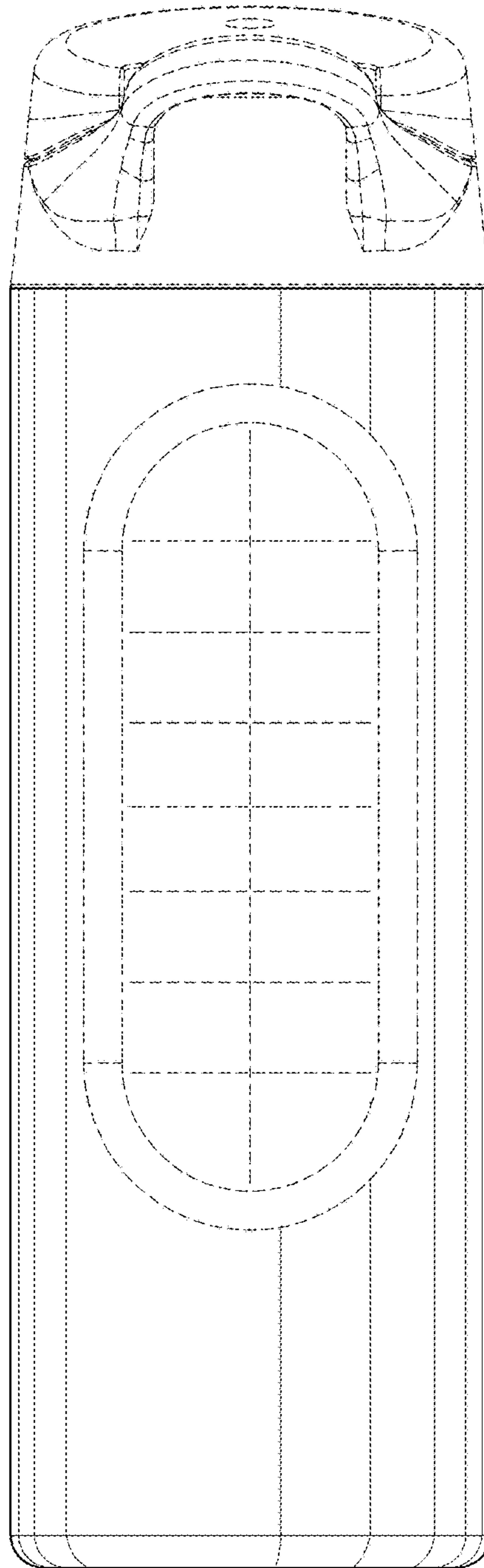


FIG. 3

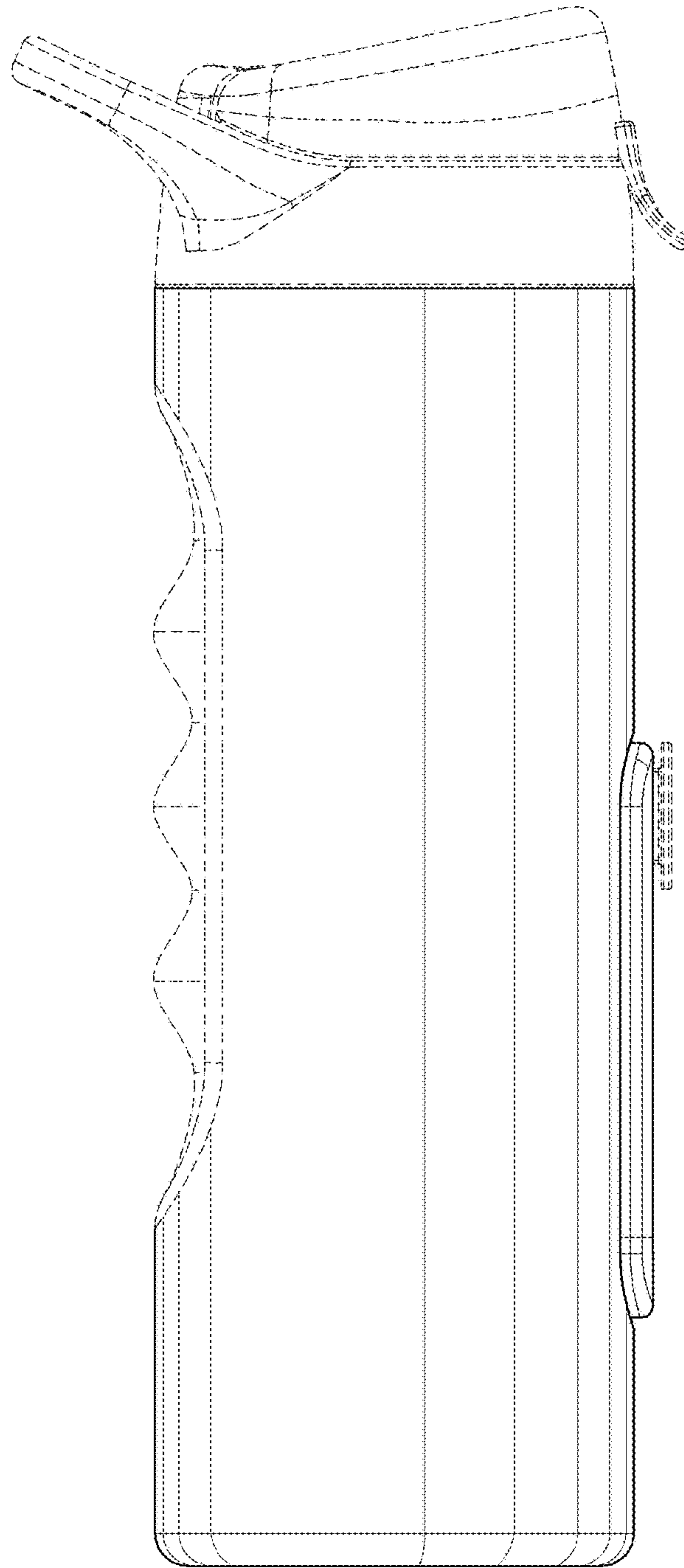


FIG. 4

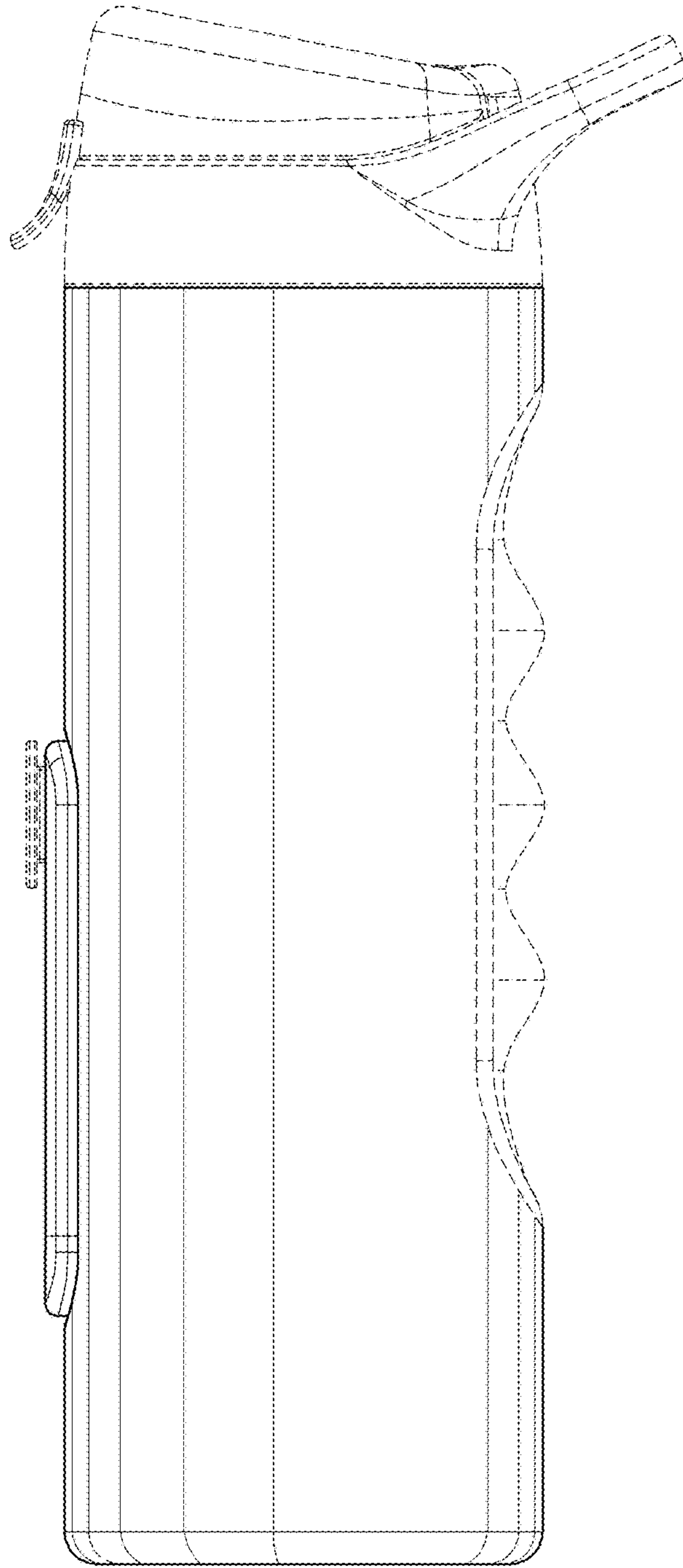


FIG. 5

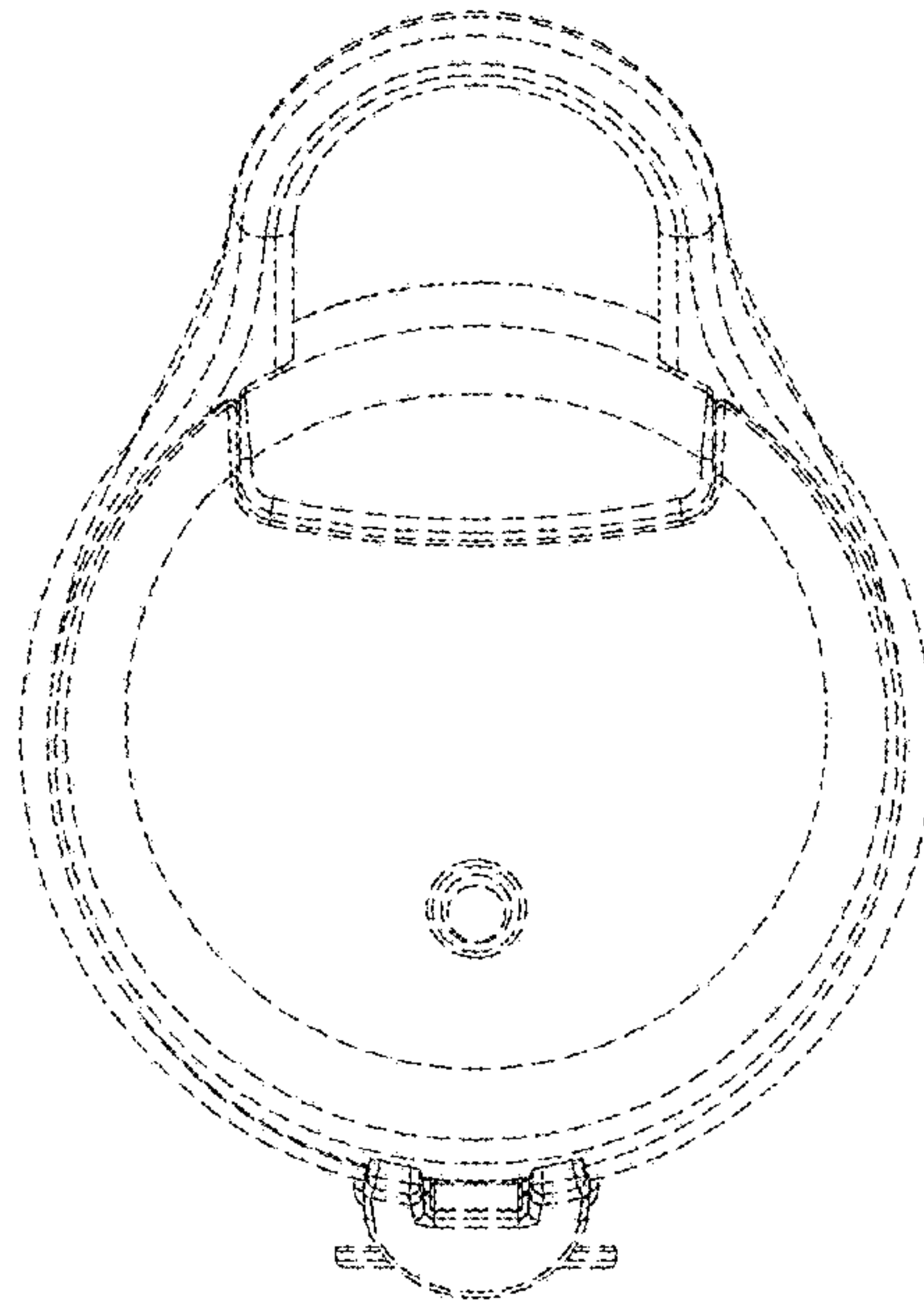


FIG. 6

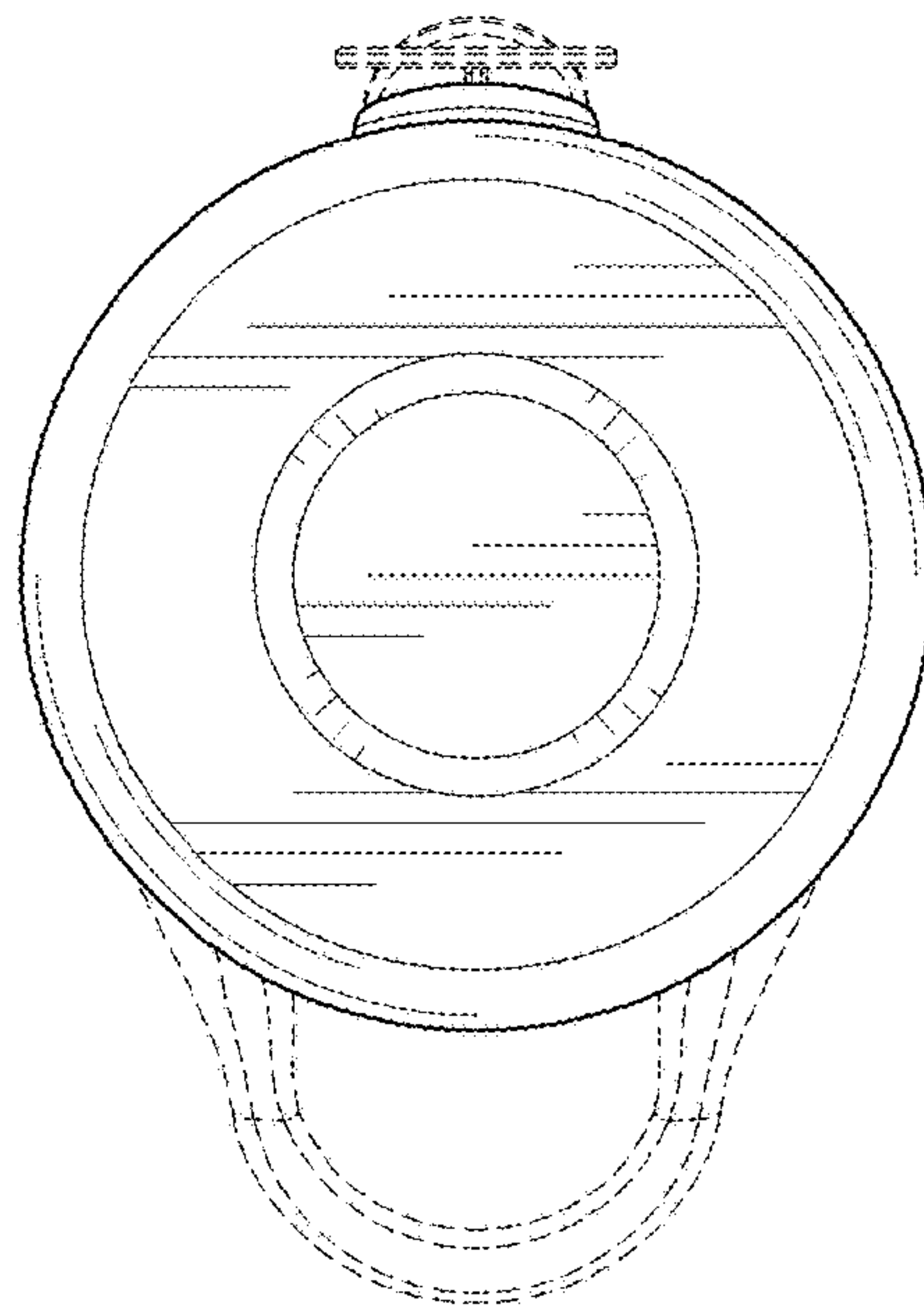


FIG. 7

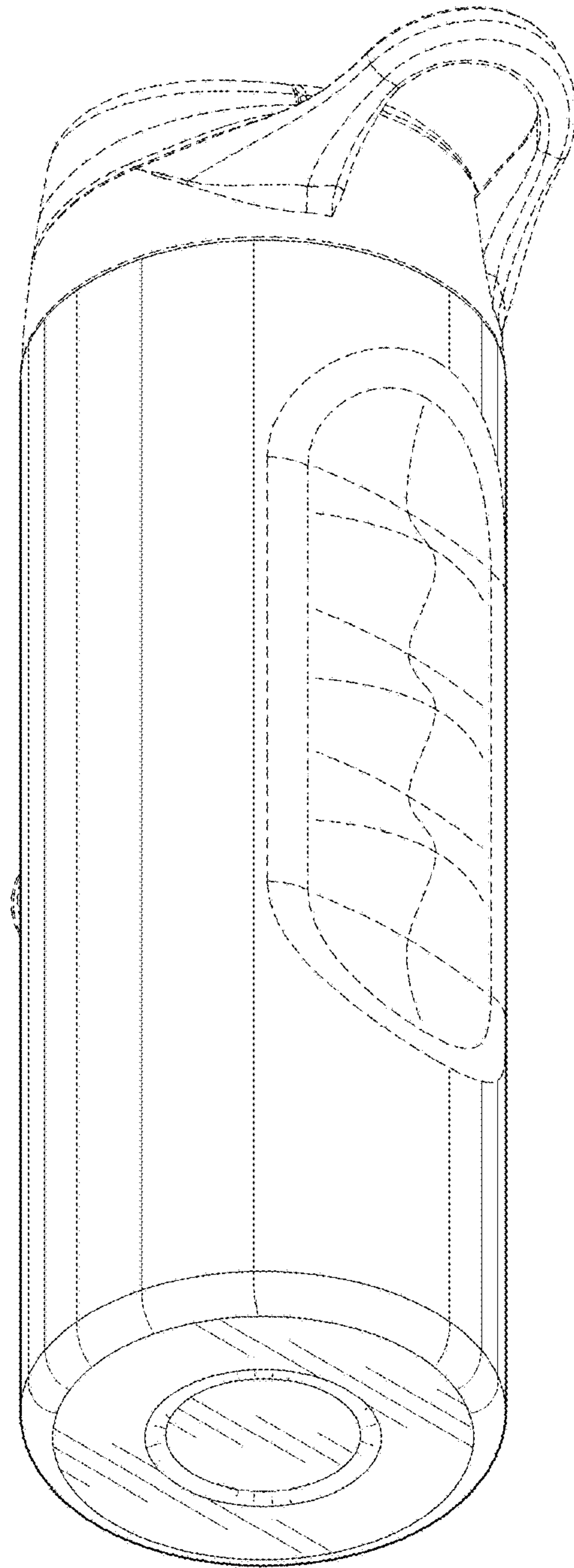


FIG. 8

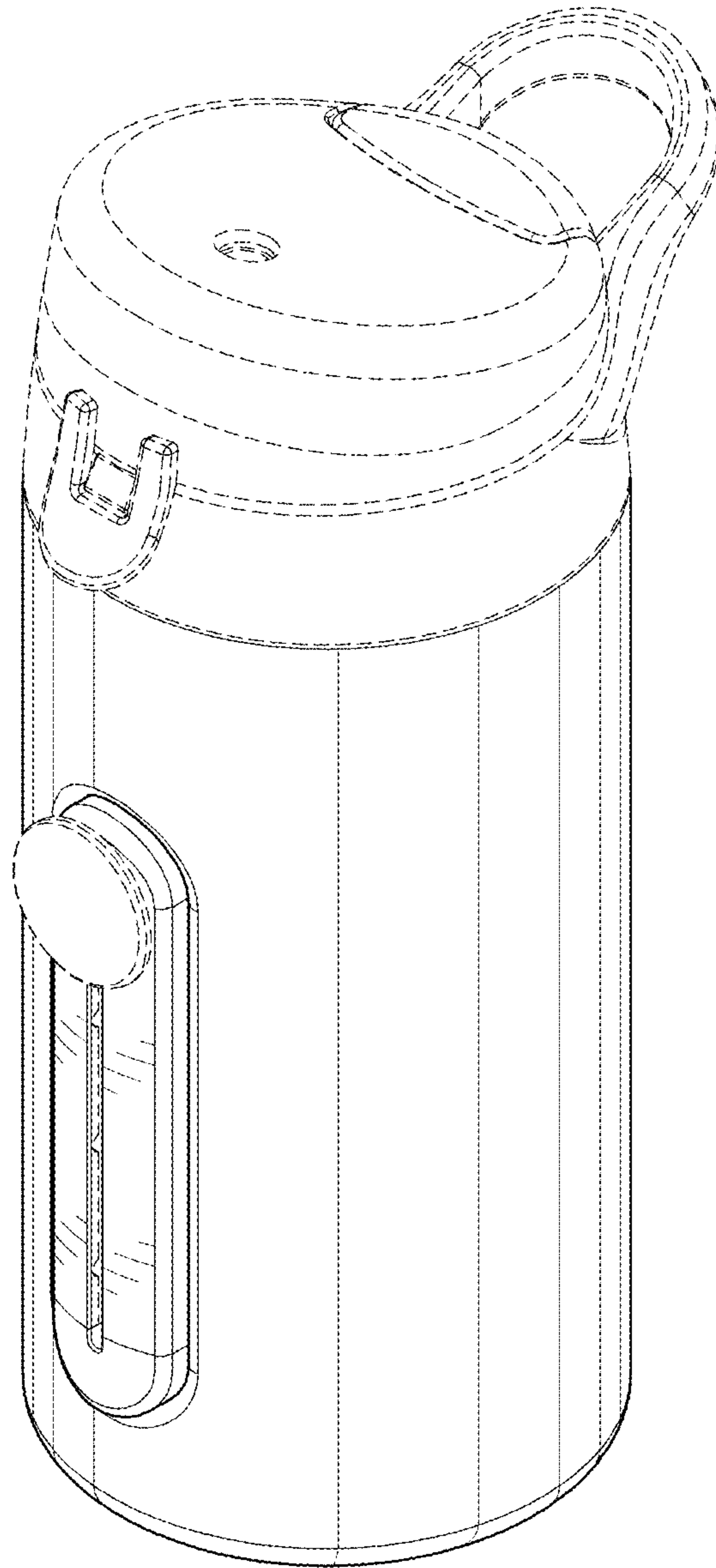


FIG. 9

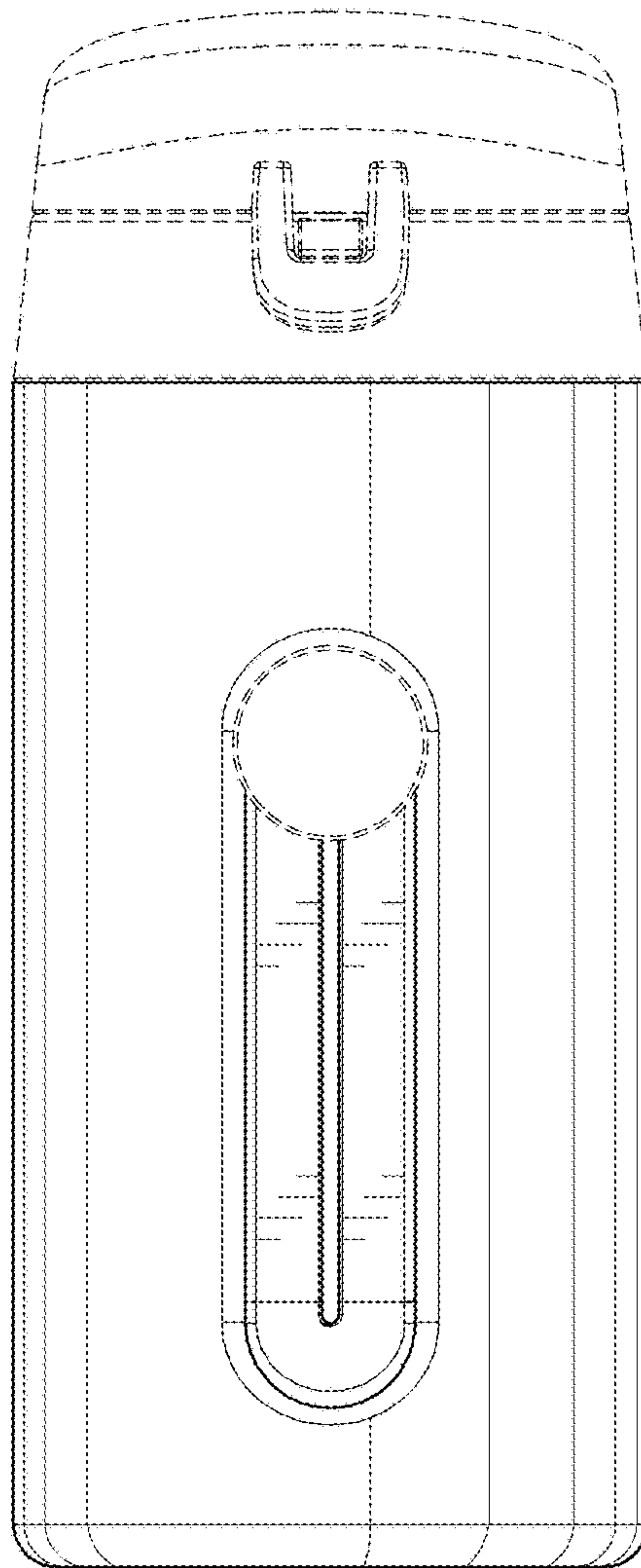


FIG. 10

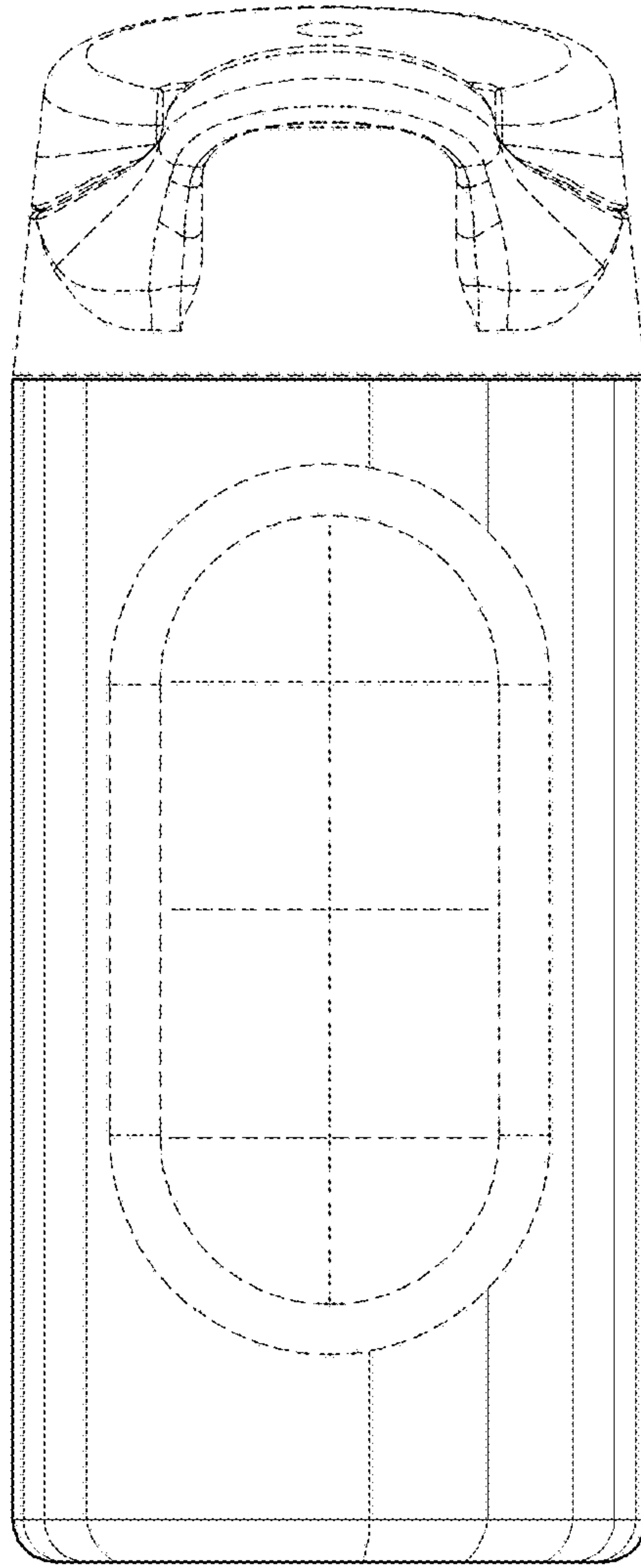


FIG. 11

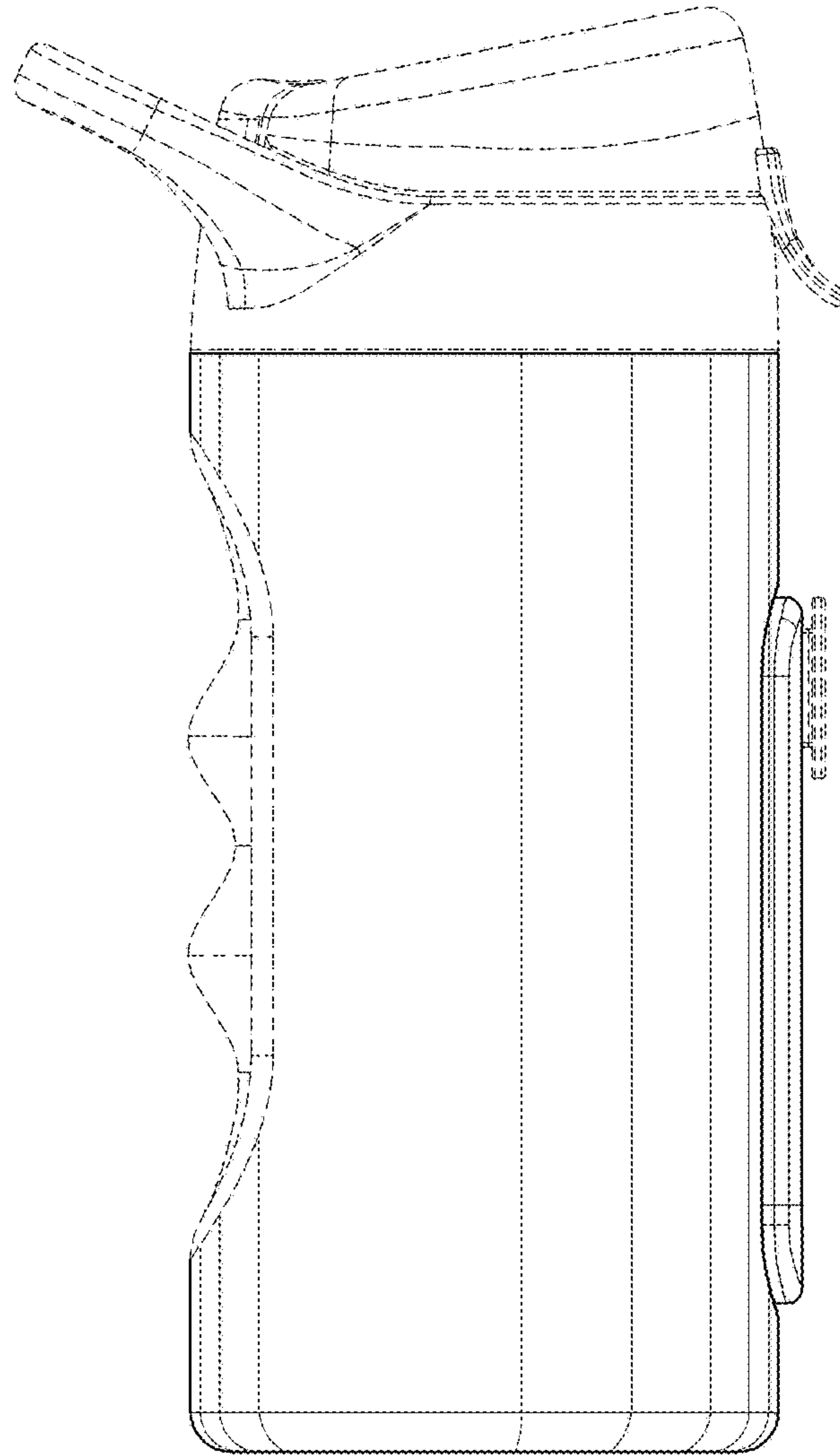


FIG. 12

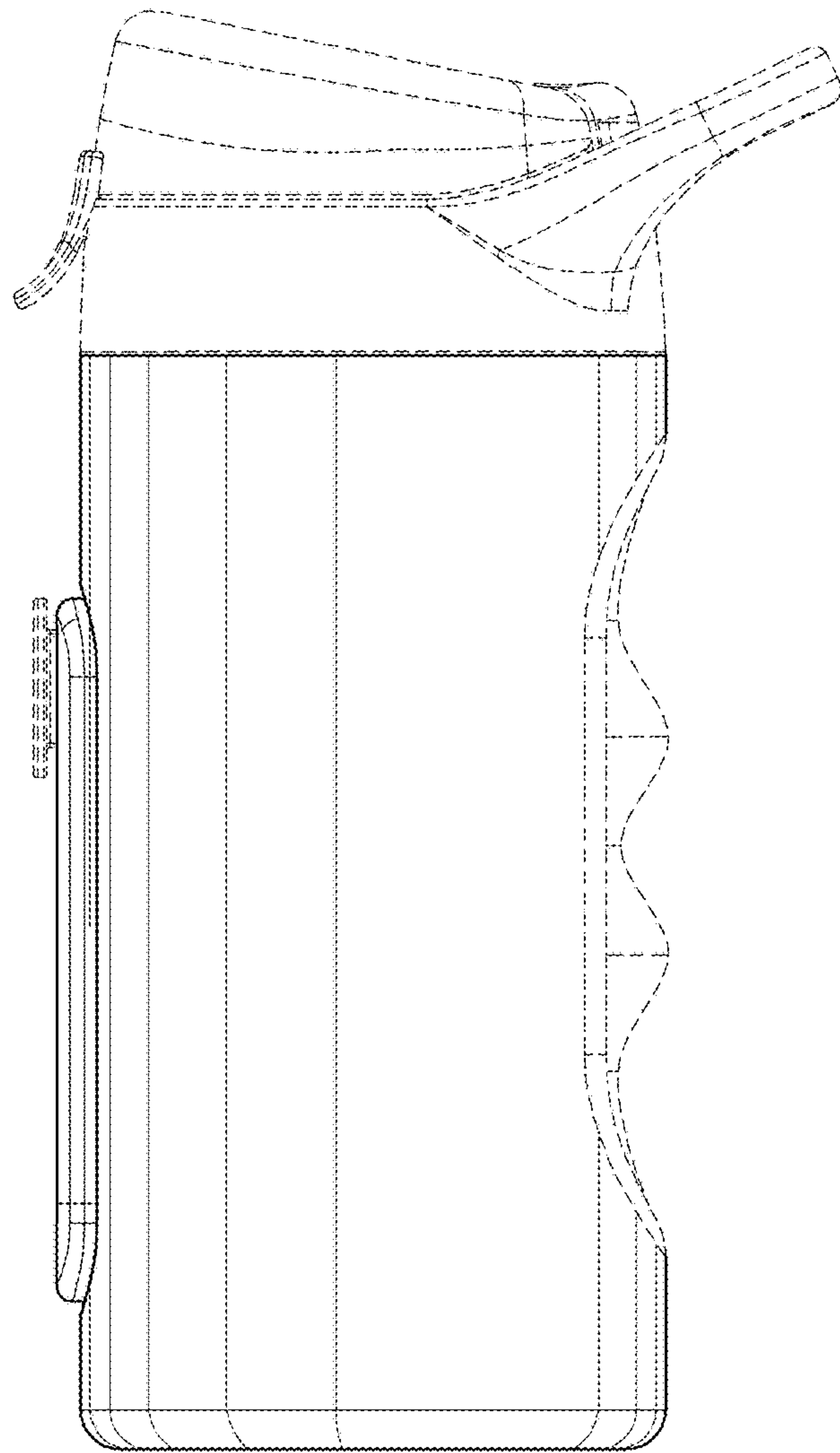


FIG. 13

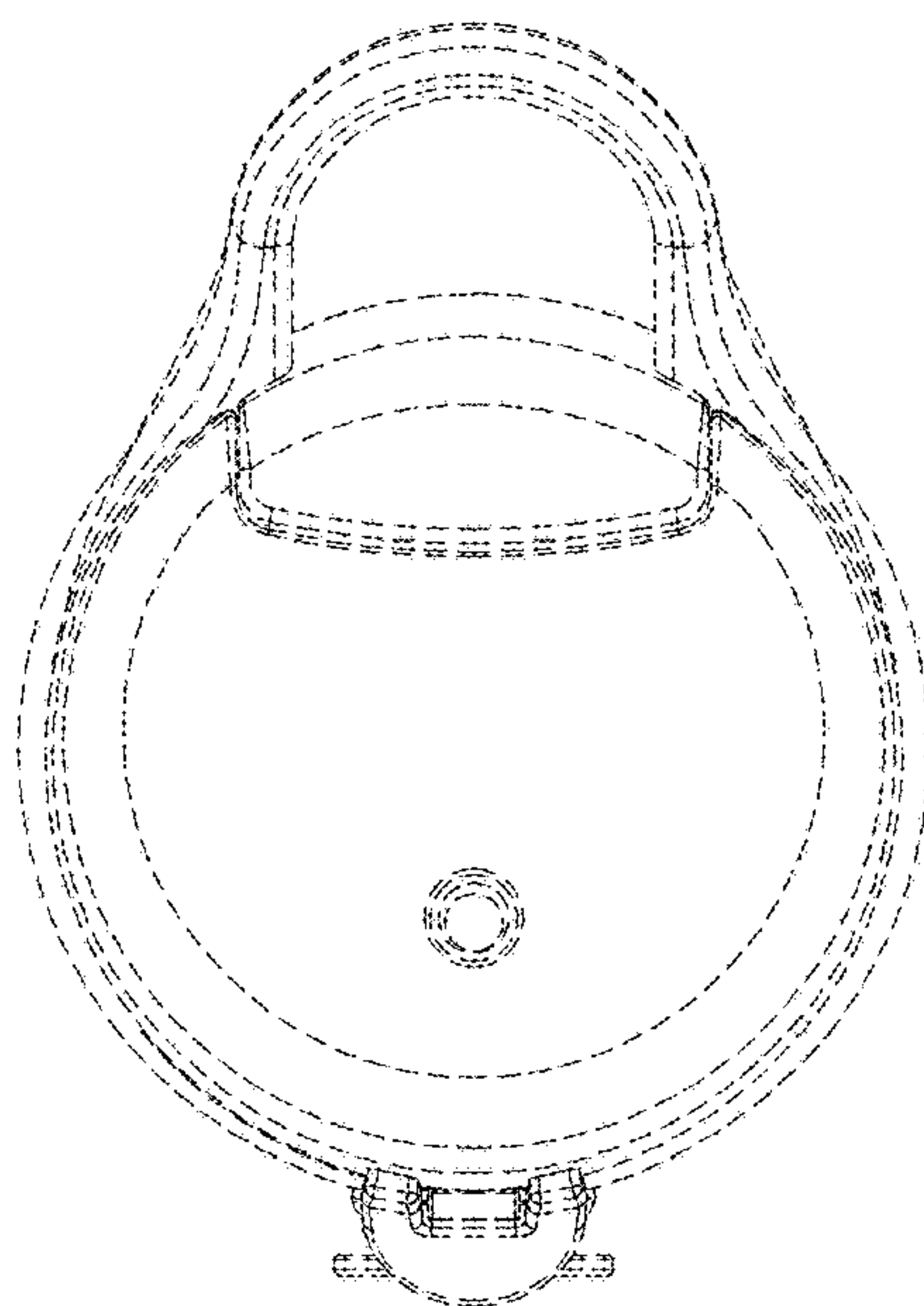


FIG. 14

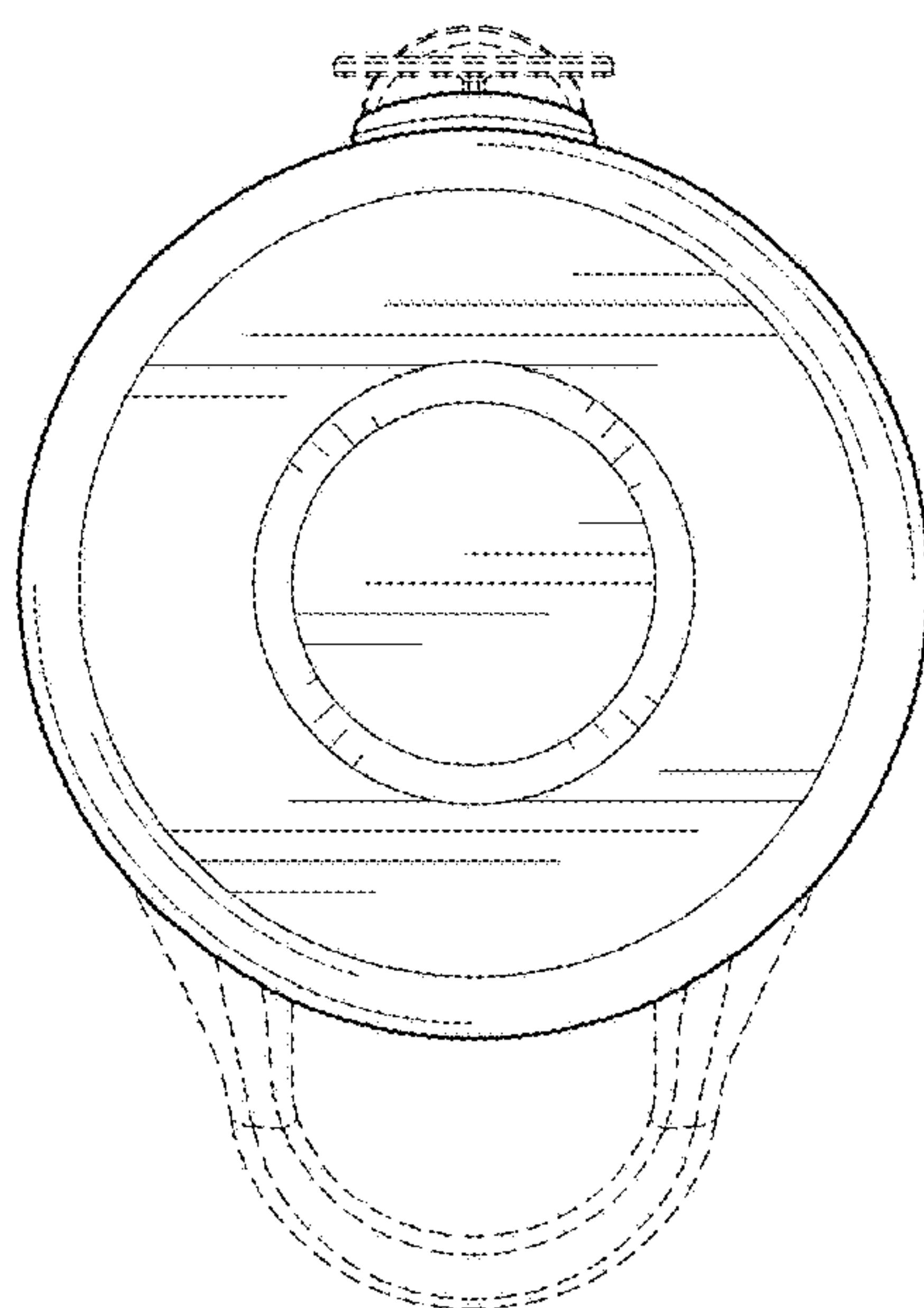


FIG. 15

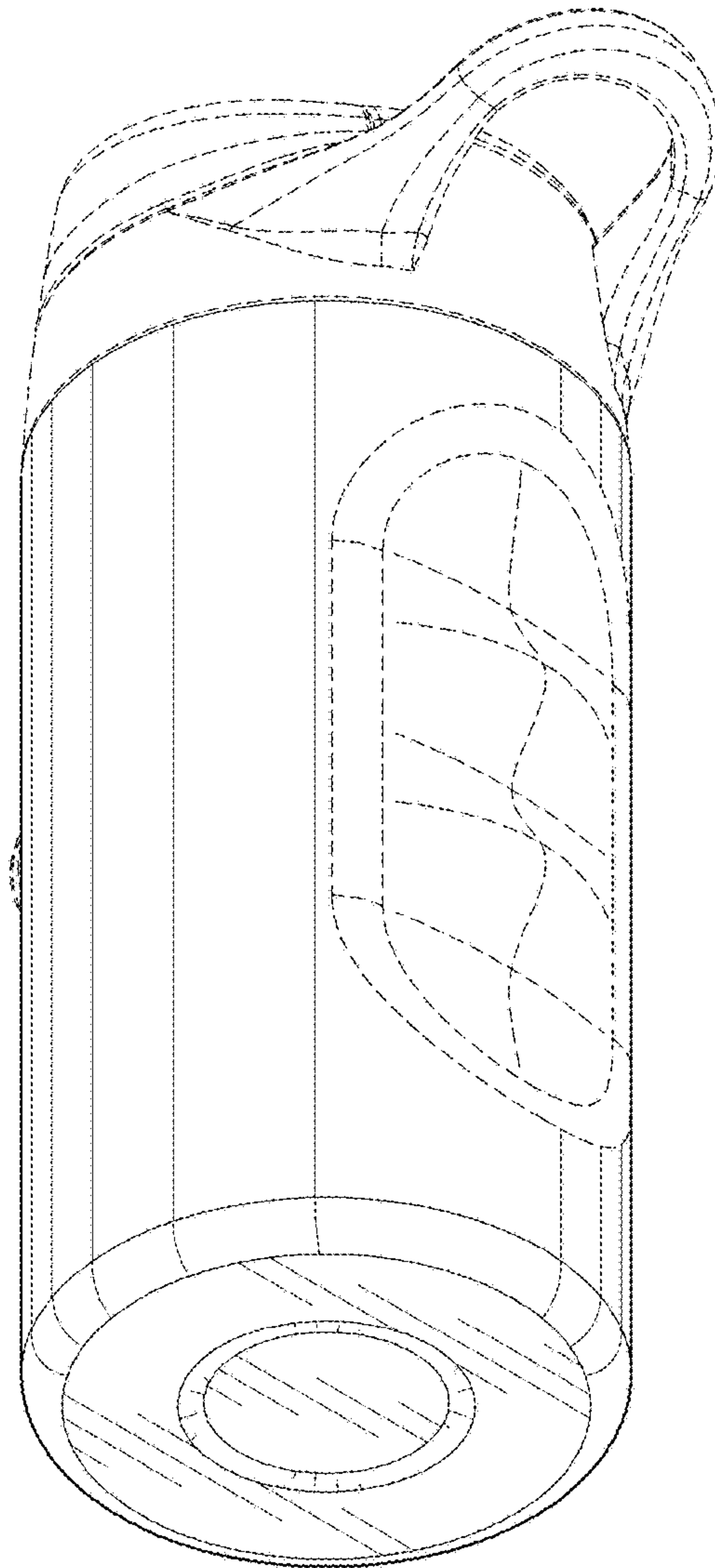


FIG. 16