

US00D842651S

(12) **United States Design Patent**
Mroczkowski

(10) **Patent No.:** **US D842,651 S**

(45) **Date of Patent:** **** Mar. 12, 2019**

(54) **FIRE STARTER**

(71) Applicant: **Zachary T. Mroczkowski**, Ottawa, IL
(US)

(72) Inventor: **Zachary T. Mroczkowski**, Ottawa, IL
(US)

(**) Term: **15 Years**

(21) Appl. No.: **29/635,845**

(22) Filed: **Feb. 2, 2018**

(51) **LOC (11) Cl.** **07-99**

(52) **U.S. Cl.**
USPC **D7/416**

(58) **Field of Classification Search**
USPC D6/403; D7/416, 213, 407, 409, 387;
D11/114, 130, 130.1; D23/398
CPC A47G 33/1213; A47J 37/07; A47J 33/00;
A47J 37/0763; E04H 15/32
See application file for complete search history.

(56) **References Cited**

U.S. PATENT DOCUMENTS

D125,771 S *	3/1941	Kiesow	D11/130.1
D221,969 S *	9/1971	De Vries	D11/130.1
D247,271 S *	2/1978	Zipser	D11/130.1
D329,622 S *	9/1992	Smith	D11/130.1
D356,008 S *	3/1995	Reiger	D7/388
D397,061 S *	8/1998	Wright	D11/130.1
D402,170 S *	12/1998	Cox	D8/1
D418,082 S *	12/1999	Baumann	D11/130.1
6,042,077 A *	3/2000	Shoesmith	A47G 33/12 248/188.5
D442,883 S *	5/2001	Finch	D11/130.1
D612,477 S *	3/2010	Simpson	D23/403

D729,378 S *	5/2015	Autrey	D23/398
9,161,647 B2 *	10/2015	Leung	A47G 33/1206
9,532,679 B1	1/2017	Besch		
9,635,979 B2 *	5/2017	Abrams	A47J 37/0713
9,814,348 B1 *	11/2017	Adams	A47J 33/00
9,835,328 B2 *	12/2017	Lance	F21S 13/12
D807,225 S *	1/2018	Zhao	D11/130.1
10,092,125 B1 *	10/2018	Braunberger	A47G 33/12
2011/0000476 A1	1/2011	Kleve et al.		
2013/0068210 A1	3/2013	Koelzer		

OTHER PUBLICATIONS

S5000 IncinerGrate Fire Pit Grate; <https://www.houzz.com/product/44323767-s5000-incinergrate-fire-pit-grate-industrial-fire-pit-accessories>.
Log Teepee; <http://www.logteepee.com/>.

* cited by examiner

Primary Examiner — Derrick E Holland
Assistant Examiner — Andrew Kerr
(74) *Attorney, Agent, or Firm* — Olson & Cepuritis, Ltd.

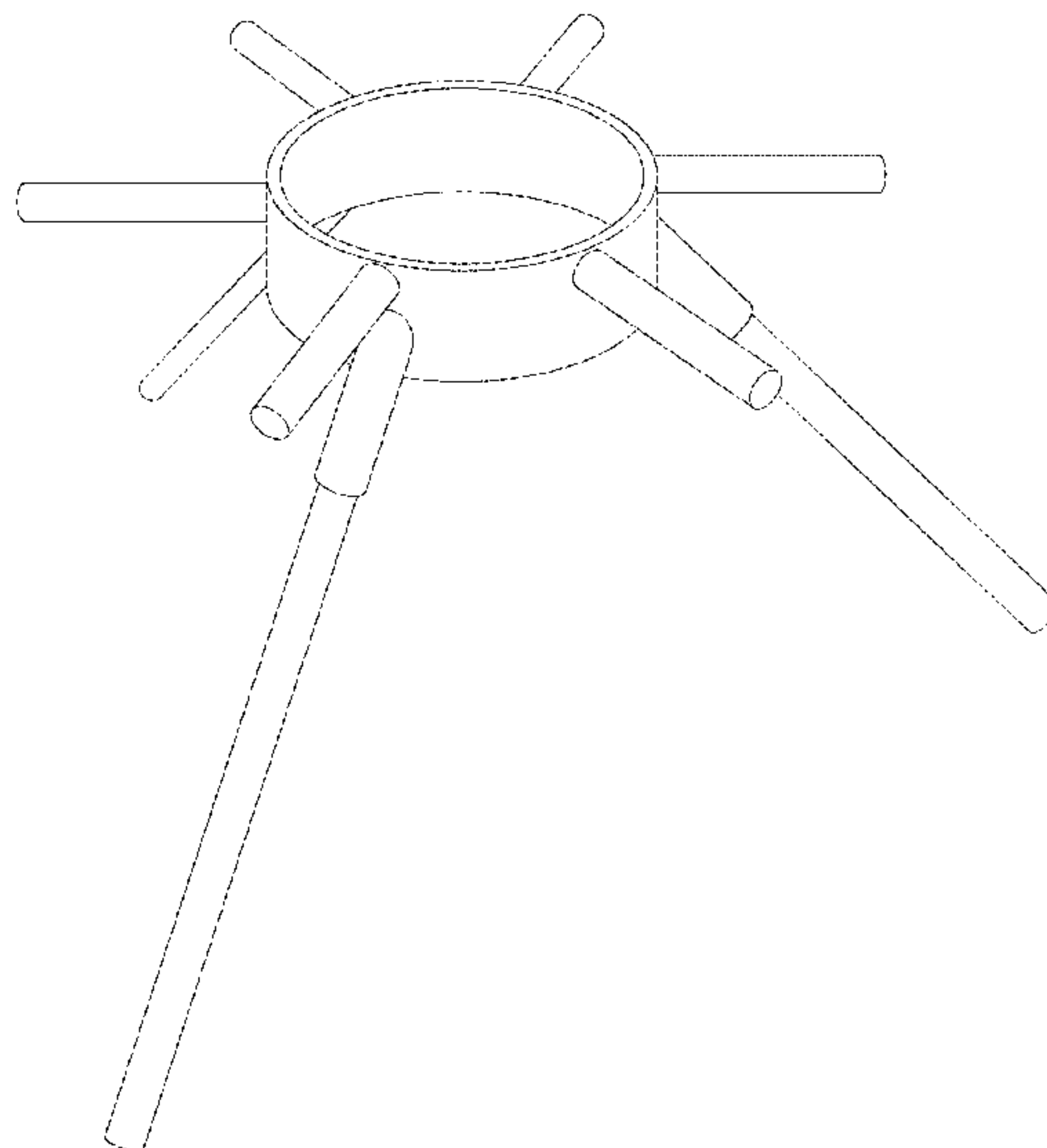
(57) **CLAIM**

The ornamental design for a fire starter, as shown and described.

DESCRIPTION

FIG. 1 is a perspective view of a fire starter showing my new design;
FIG. 2 is a top plan view thereof;
FIG. 3 is a side elevation view thereof;
FIG. 4 is a perspective view thereof in use condition; and,
FIG. 5 is a top plan view thereof in use condition.
The broken lines in FIGS 4 and 5 represent environmental structure and form no part of the claimed design.

1 Claim, 5 Drawing Sheets



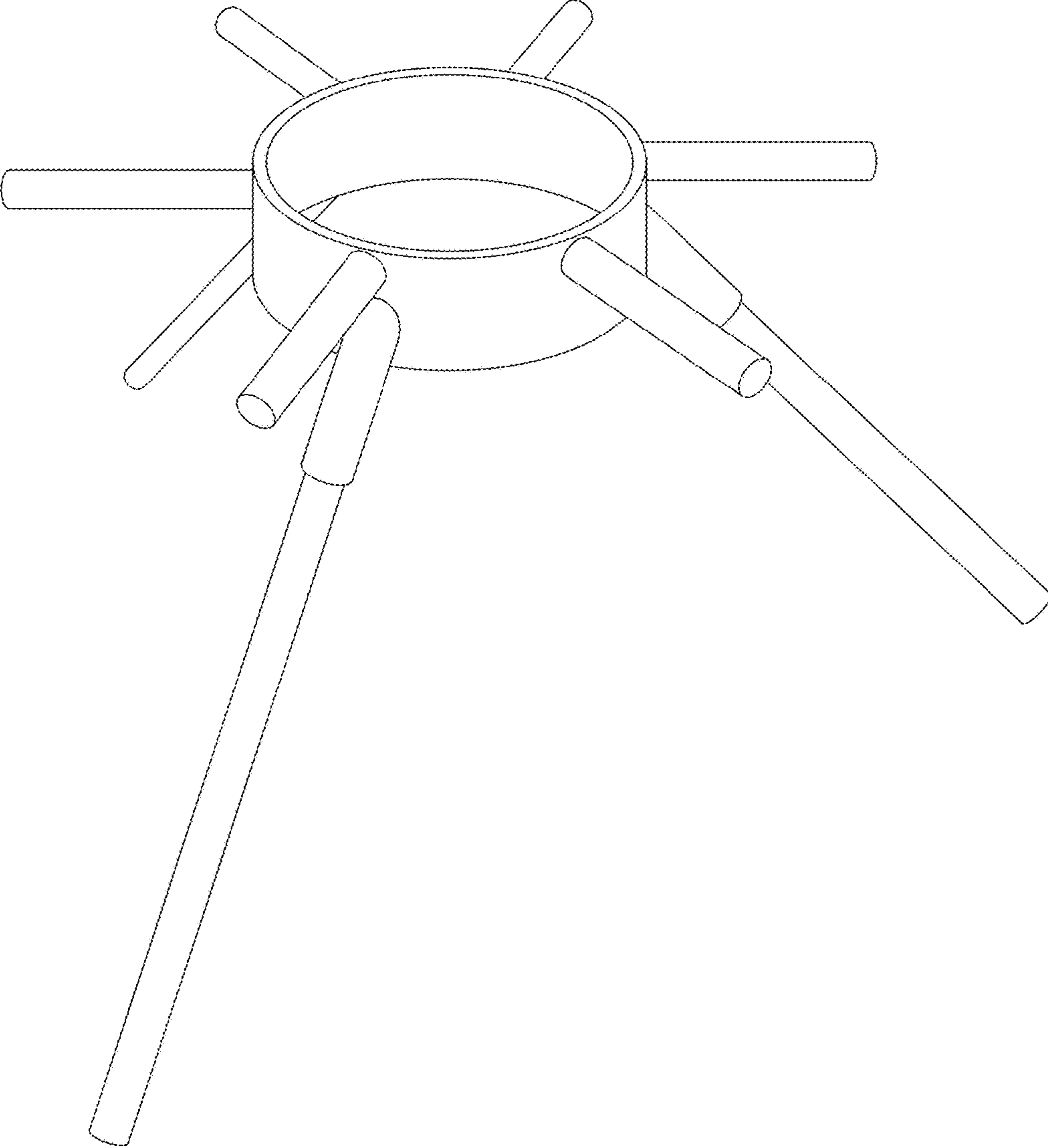


FIG. 1

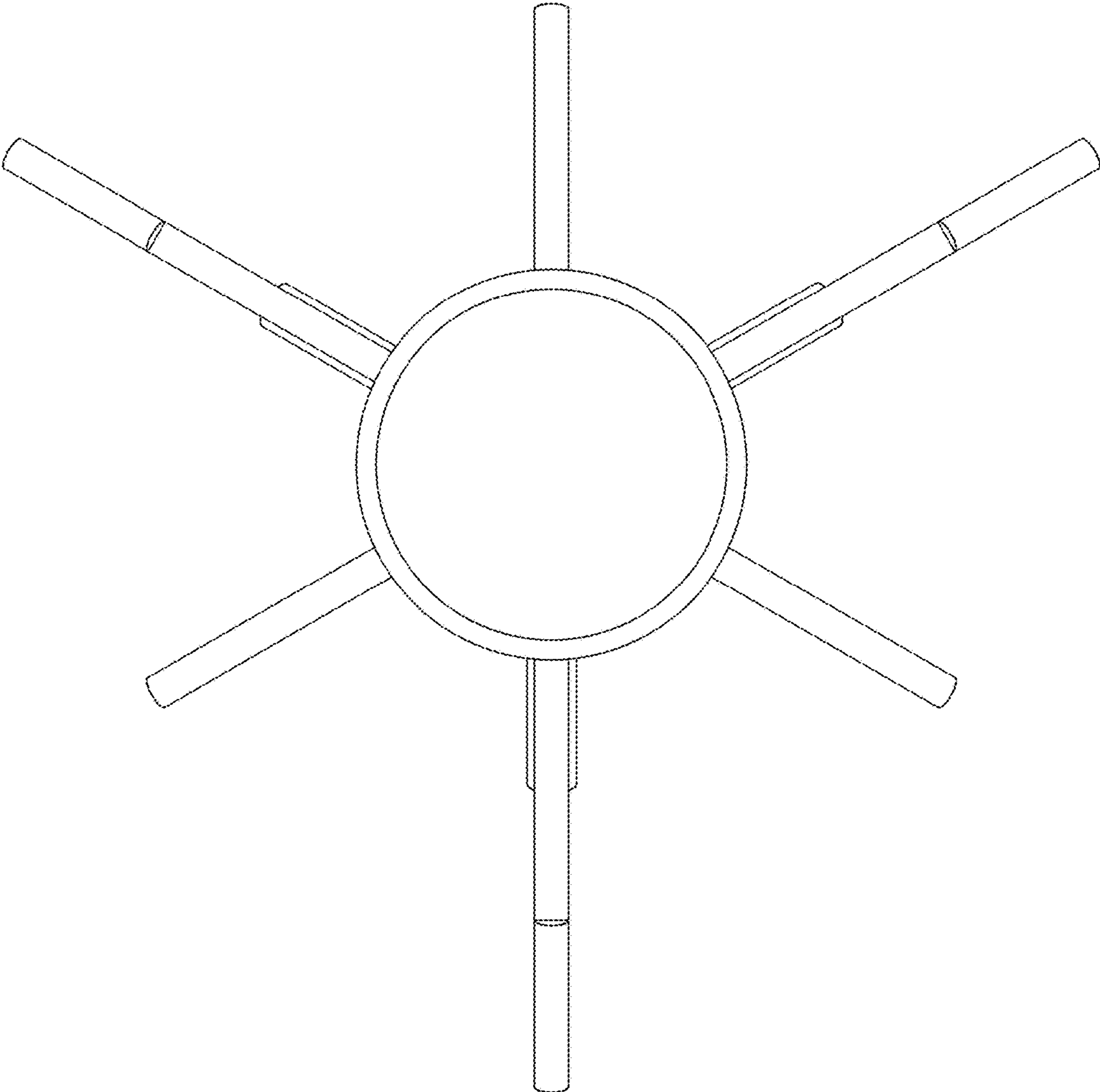


FIG. 2

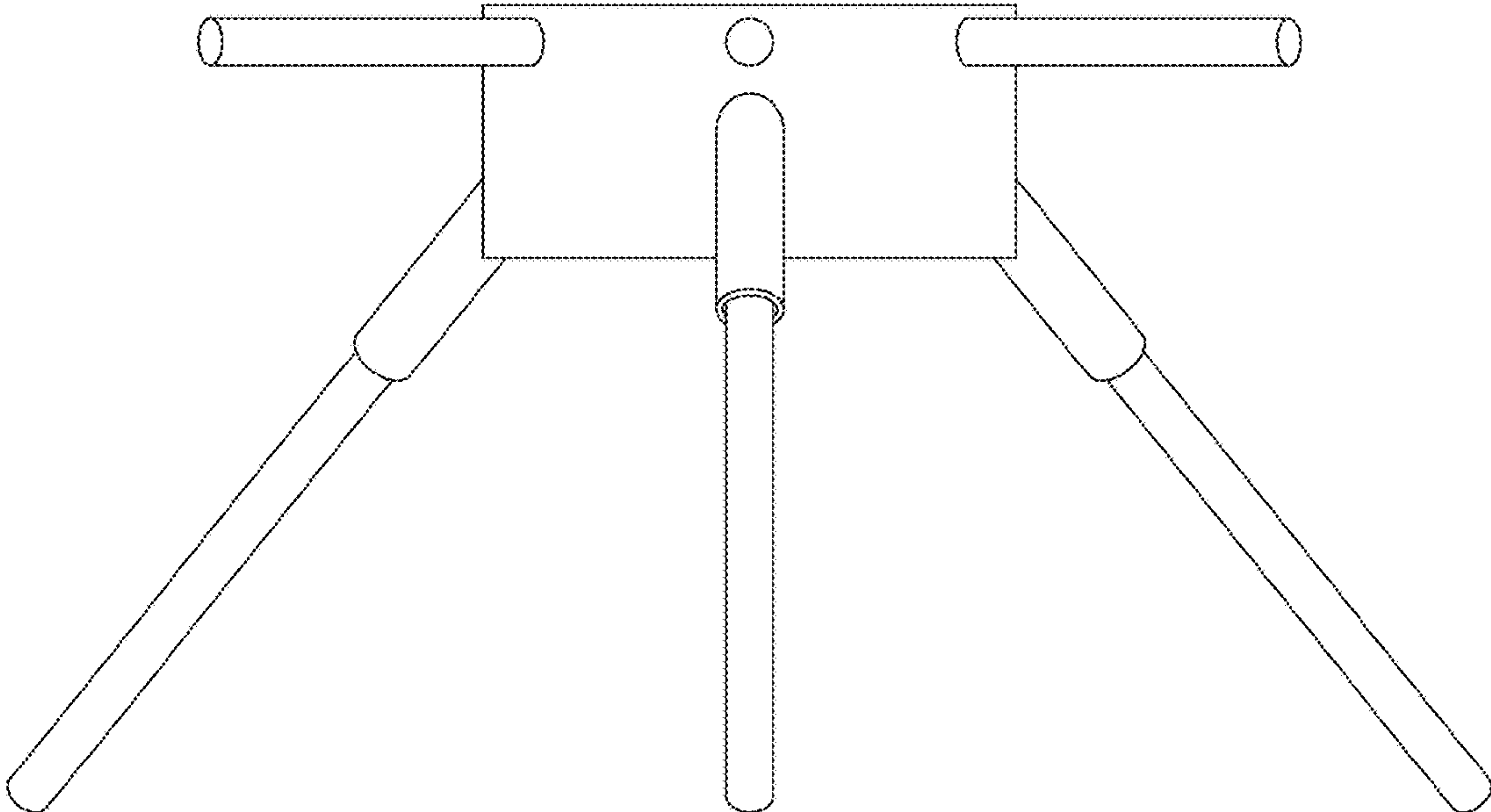


FIG. 3

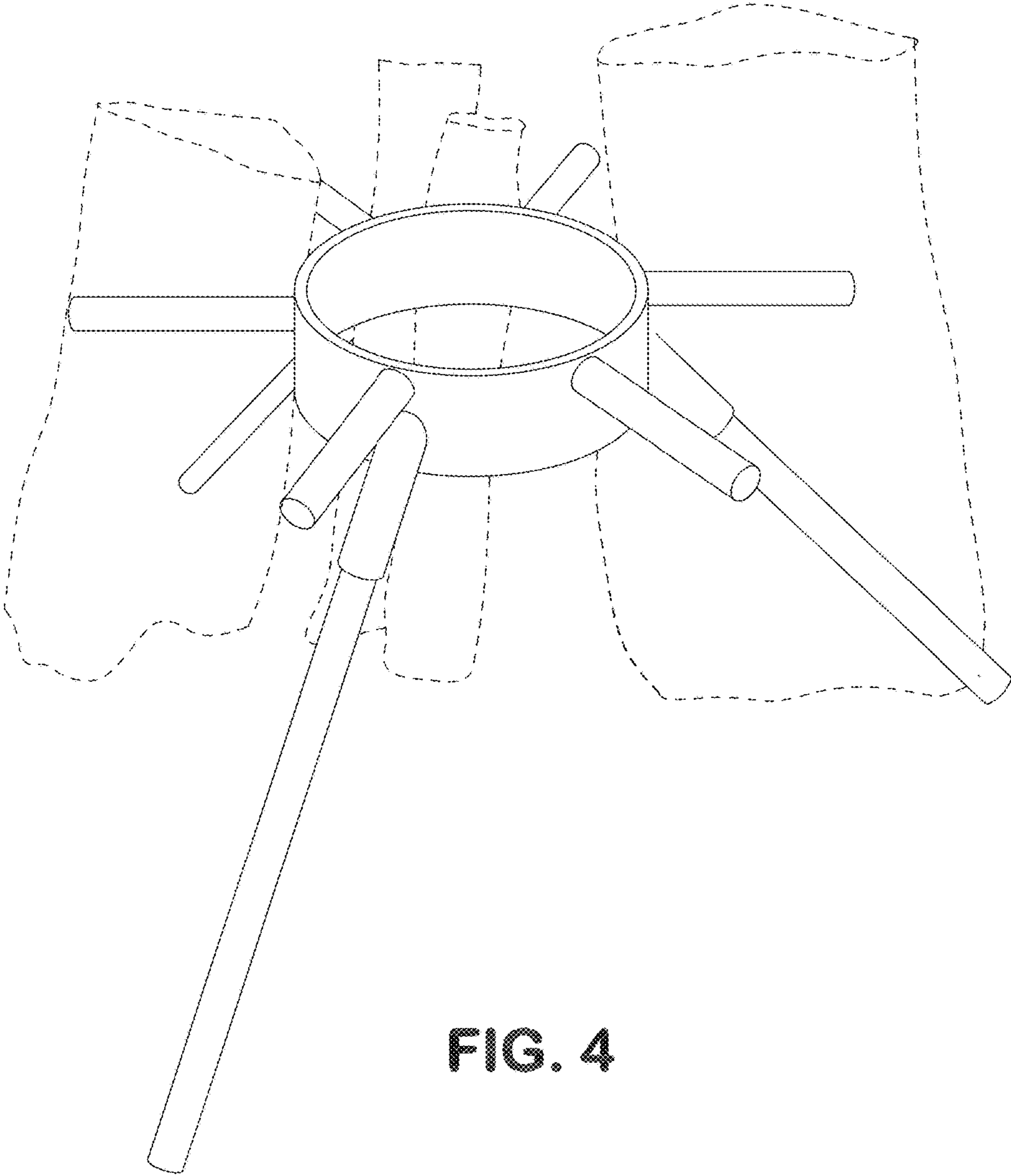


FIG. 4

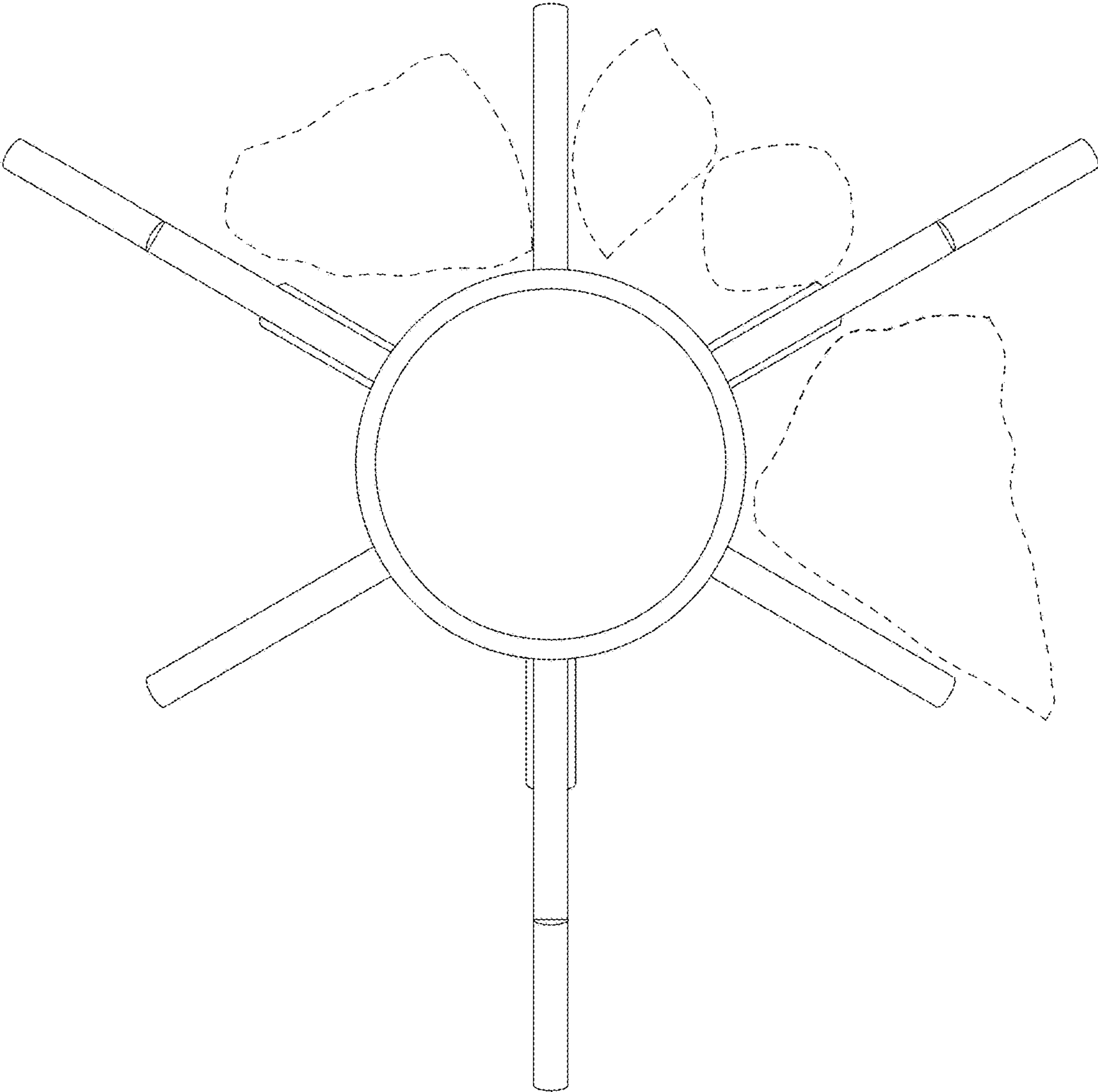


FIG. 5