



US00D842648S

(12) **United States Design Patent** (10) **Patent No.:** **US D842,648 S**
Thomas et al. (45) **Date of Patent:** **** Mar. 12, 2019**

(54) **BEVERAGE CARTRIDGE COMPONENT**

(71) Applicant: **Keurig Green Mountain, Inc.**,
Burlington, MA (US)

(72) Inventors: **Robert Brian Thomas**, Amesbury, MA
(US); **Luca Theo Holme**, Stoneham,
MA (US); **Leung Chi Wah**, Hong
Kong (CN)

(73) Assignee: **Keurig Green Mountain, Inc.**,
Burlington, MA (US)

(**) Term: **15 Years**

(21) Appl. No.: **29/621,913**

(22) Filed: **Oct. 12, 2017**

(51) **LOC (11) Cl.** **07-99**

(52) **U.S. Cl.**
USPC **D7/400**

(58) **Field of Classification Search**
USPC D7/300, 302, 303, 305, 397, 399,
D7/316-319, 321, 400, 401, 600, 602,
D7/619.1, 667; D9/516, 523, 524, 527,
D9/528; D23/209, 212
CPC A47J 27/21058; A47J 31/40; A47J 31/41;
A47J 31/44; A47J 47/00; A47G 19/12;
A47G 19/14; A47G 19/145; B01D 35/02;
B65B 39/00; B65D 47/06
See application file for complete search history.

(56) **References Cited**

U.S. PATENT DOCUMENTS

D621,698 S *	8/2010	Cometto	D9/424
D637,484 S *	5/2011	Winkler	D9/417
D647,399 S	10/2011	Winkler	
D707,490 S *	6/2014	Hertaus	D7/397
8,960,078 B2	2/2015	Hristov et al.	
D746,676 S *	1/2016	Raphaelson	D9/428
D760,584 S *	7/2016	Katz	D9/416

D789,198 S *	6/2017	Ngo	D9/425
D796,898 S *	9/2017	Robotti	D7/400
9,801,494 B2 *	10/2017	Castellani	A47J 31/0647
D803,349 S *	11/2017	Zou	D23/209
9,938,075 B2 *	4/2018	Trombley	B65D 85/8046
9,986,869 B2 *	6/2018	Bonacci	A47J 31/0647
D823,052 S *	7/2018	Neace, Jr.	D7/400

OTHER PUBLICATIONS

[No Author Listed] K200 My K-Cup Use & Care Guide, publicly available prior to Oct. 1, 2016, 1 page.
[No Author Listed] Photograph of Keurig My K-Cup 2.0, publicly available prior to Oct. 1, 2016, 1 page.
U.S. Appl. No. 29/621,911, filed Oct. 12, 2017.

* cited by examiner

Primary Examiner — Derrick E Holland

Assistant Examiner — Andrew Kerr

(74) *Attorney, Agent, or Firm* — Wolf, Greenfield & Sacks, P.C.

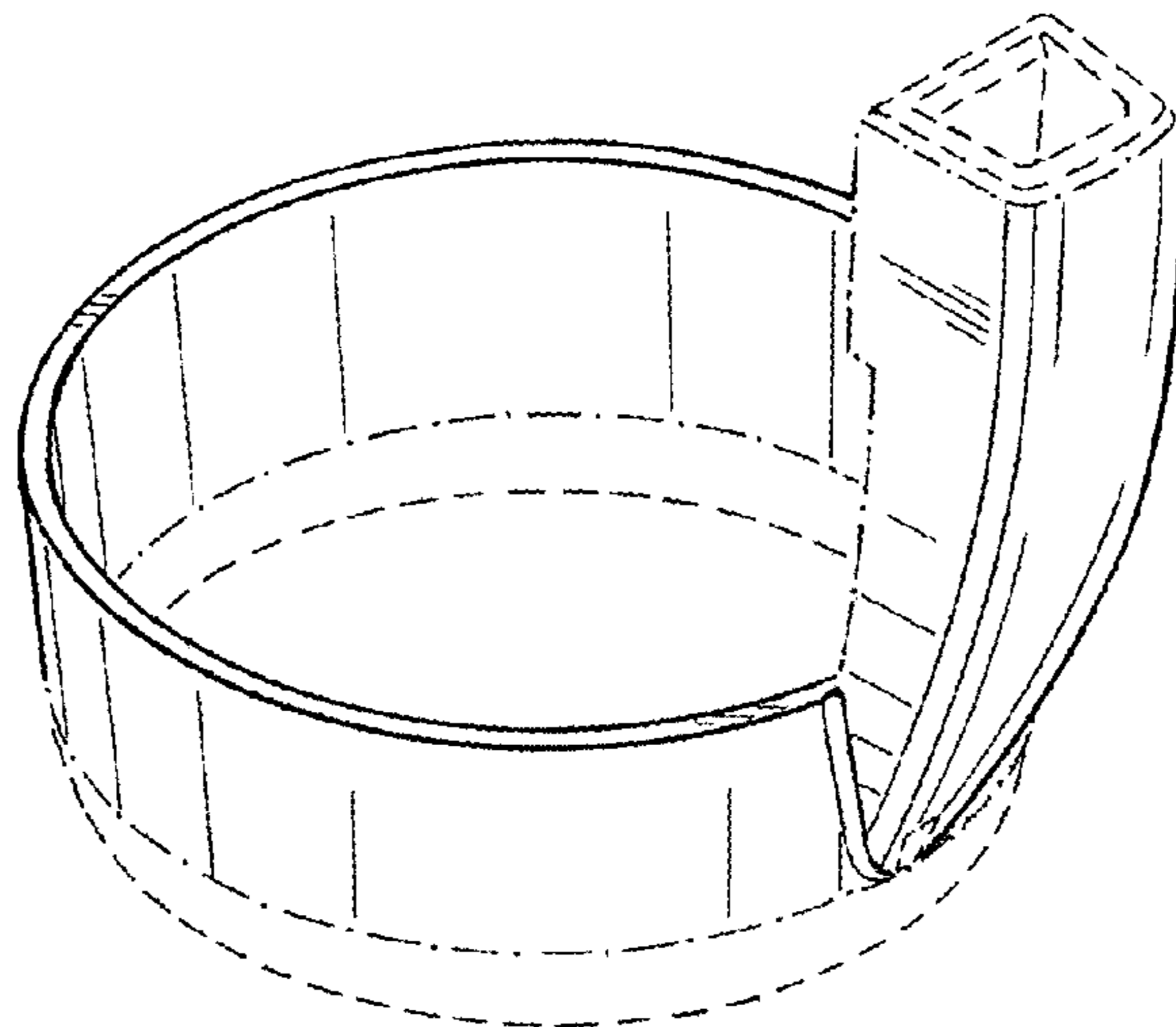
(57) **CLAIM**

The ornamental design for a beverage cartridge component, as shown and described.

DESCRIPTION

FIG. 1 is a top, front, left side perspective view of a beverage cartridge component showing our new design; FIG. 2 is a front elevation view thereof; FIG. 3 is a rear elevation view thereof; FIG. 4 is a left side elevation view thereof; FIG. 5 is a right side elevation view thereof; FIG. 6 is a top plan view thereof; and, FIG. 7 is a bottom plan view thereof. The dot-dash broken lines illustrate boundaries of the claim and form no part of the claimed design. The dash-dash broken lines illustrate portions of the beverage cartridge component that form no part of the claimed design.

1 Claim, 4 Drawing Sheets



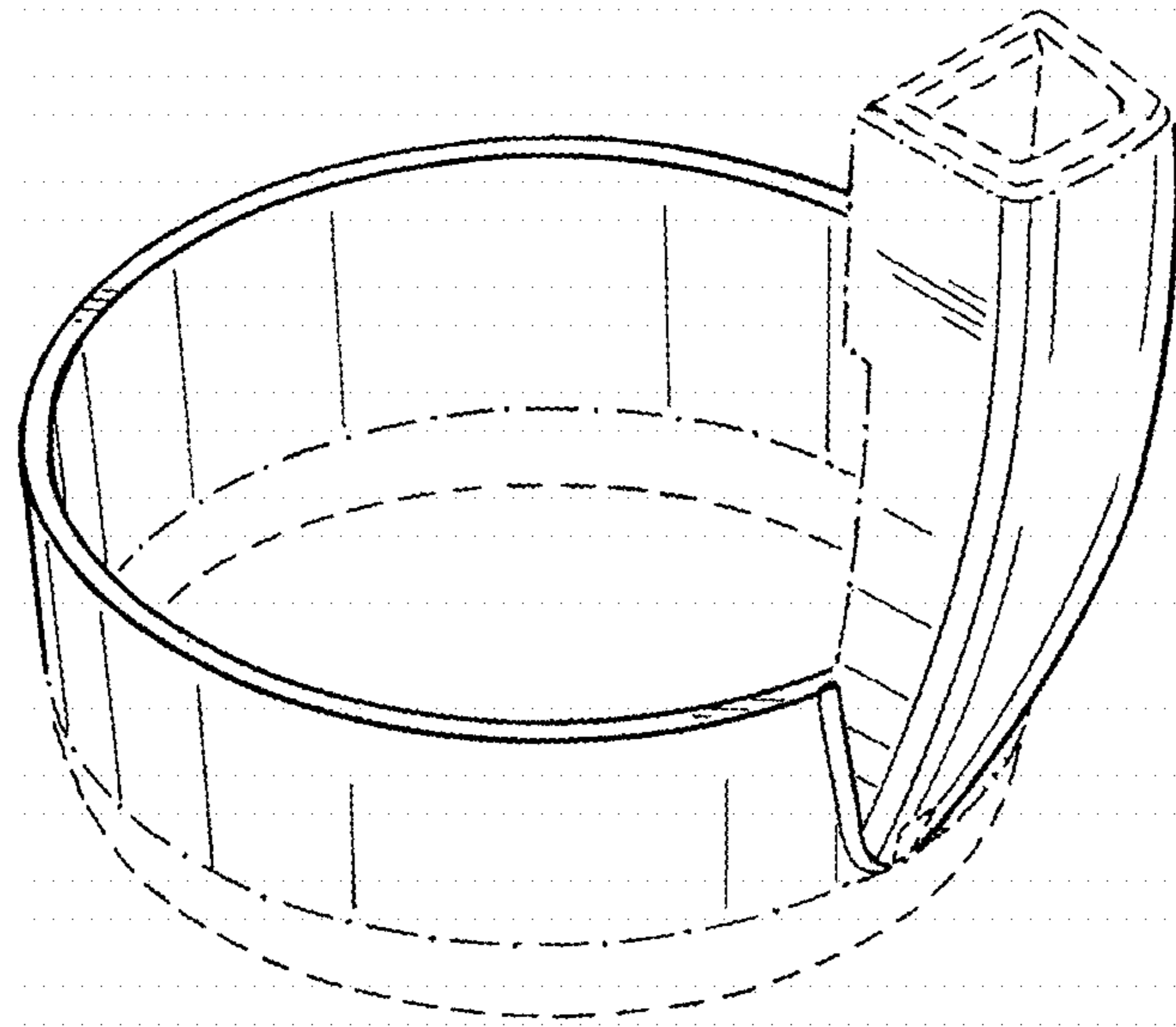


Fig. 1

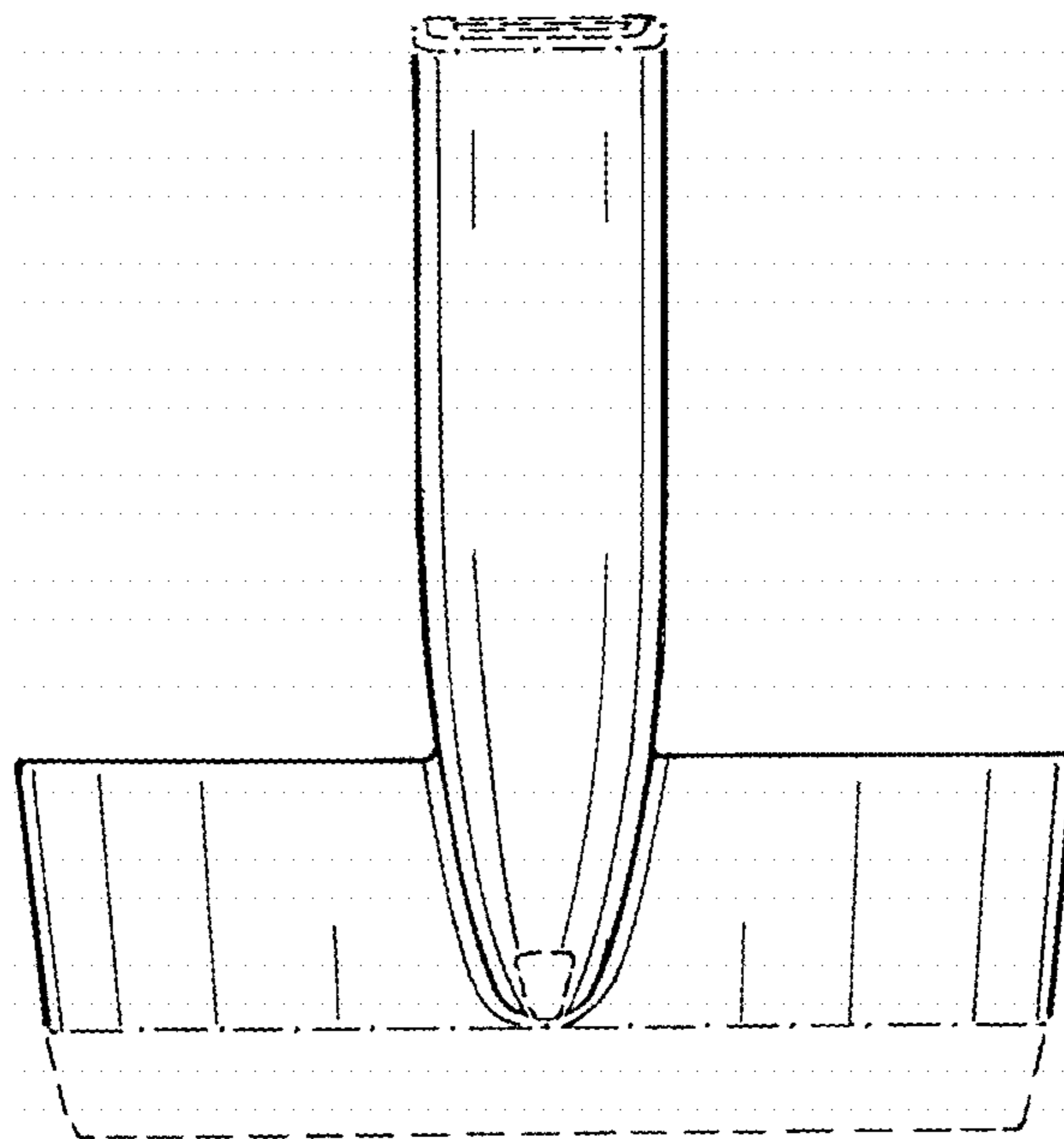


Fig. 2

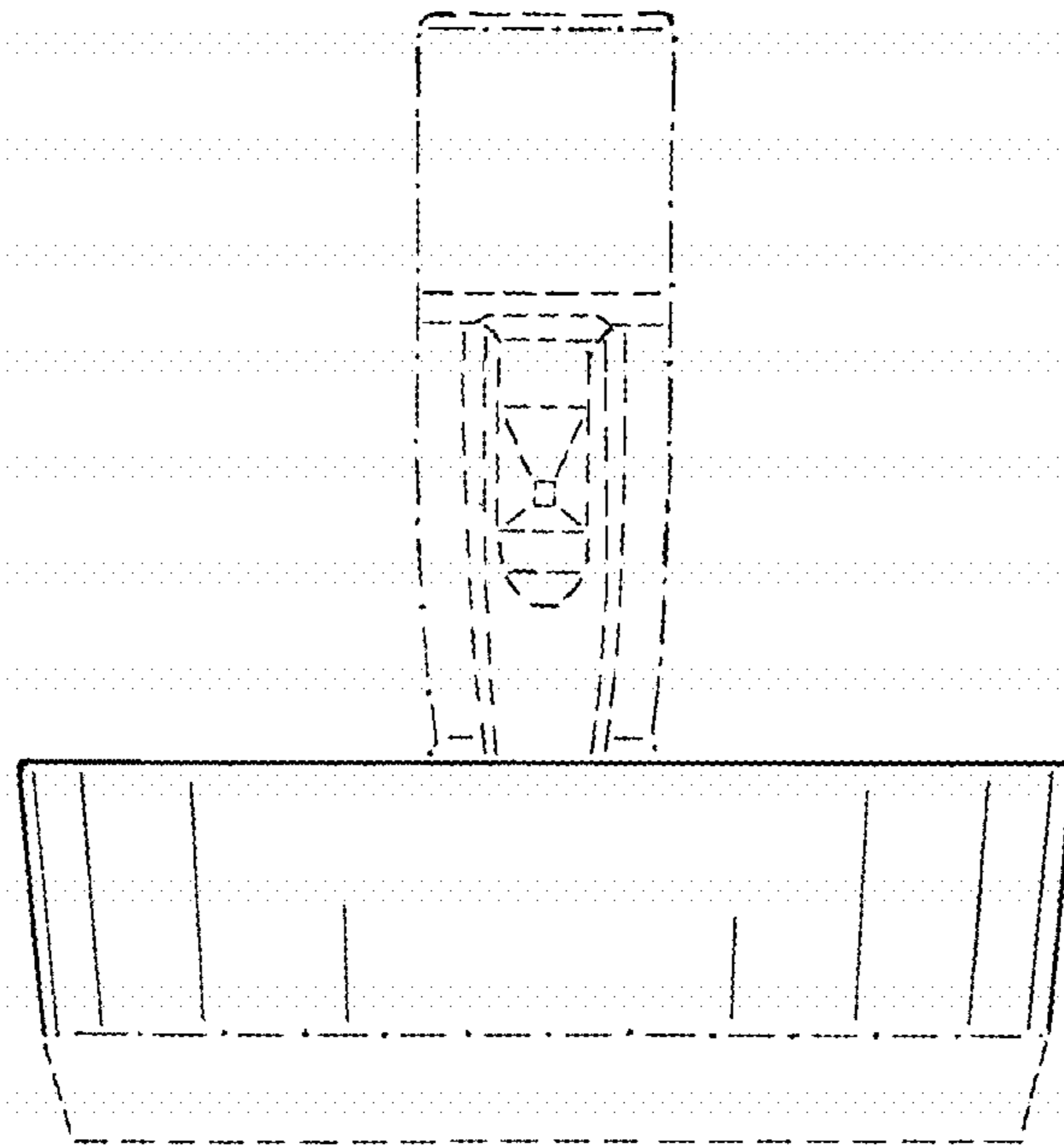


Fig. 3

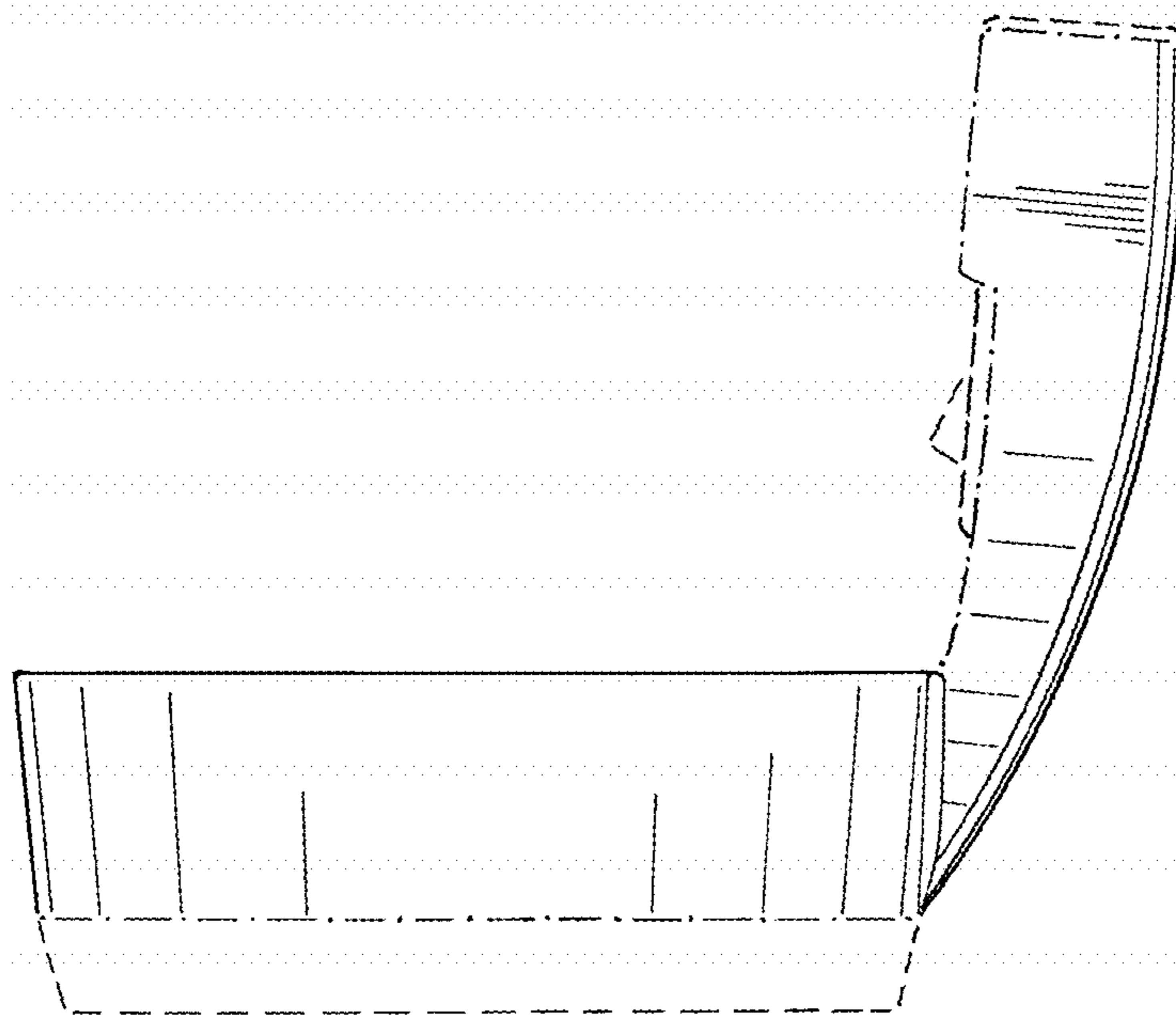


Fig. 4

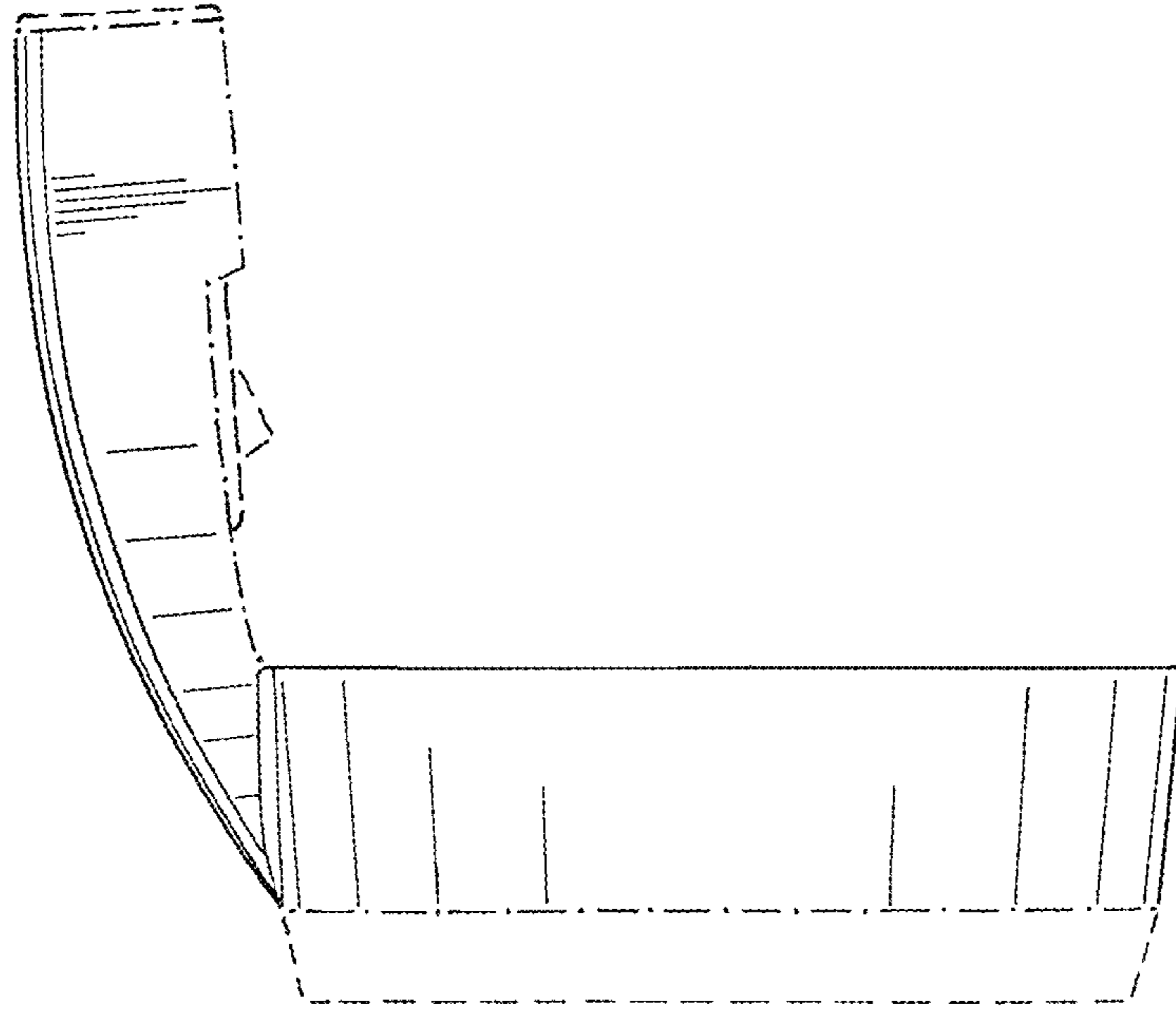


Fig. 5

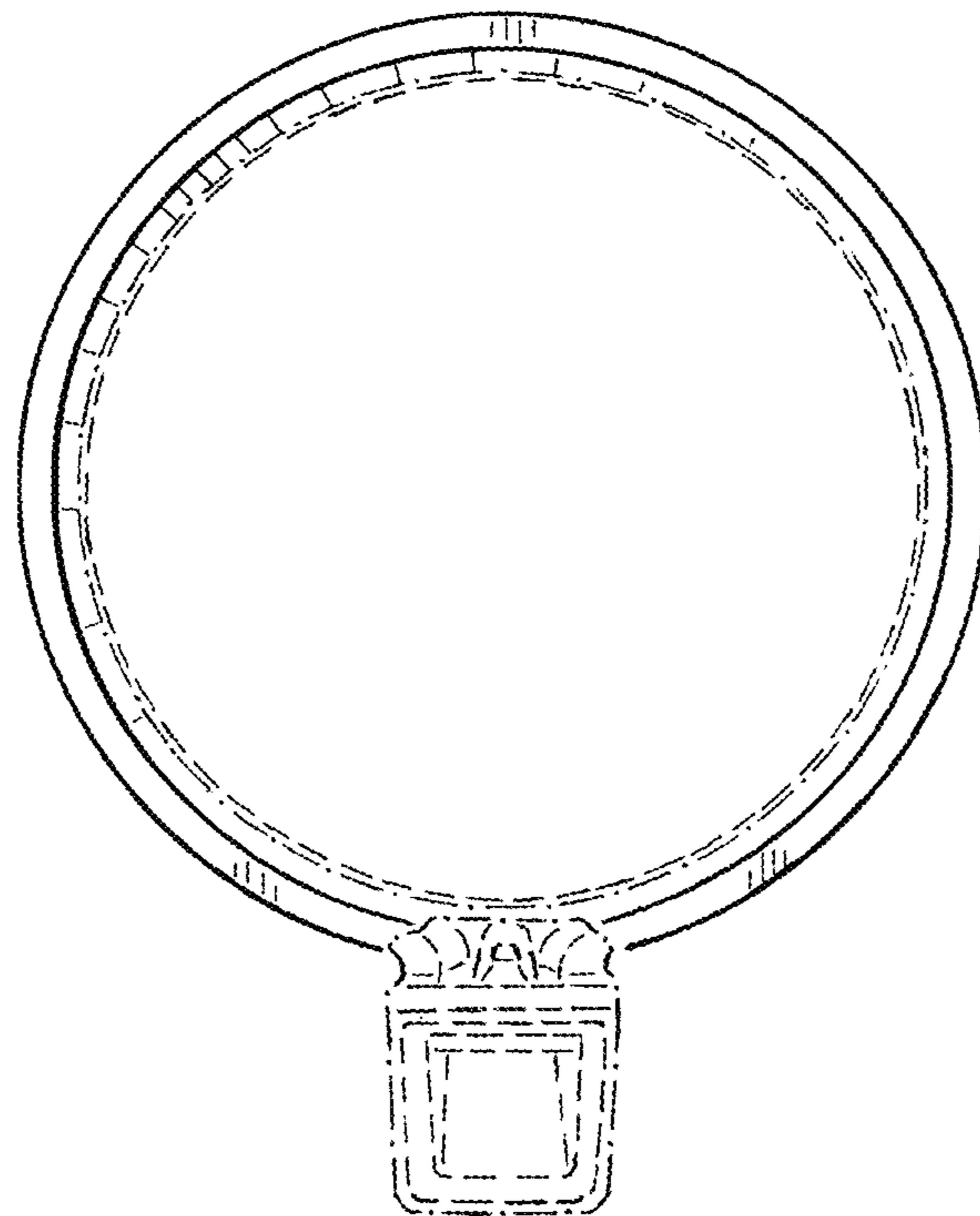


Fig. 6

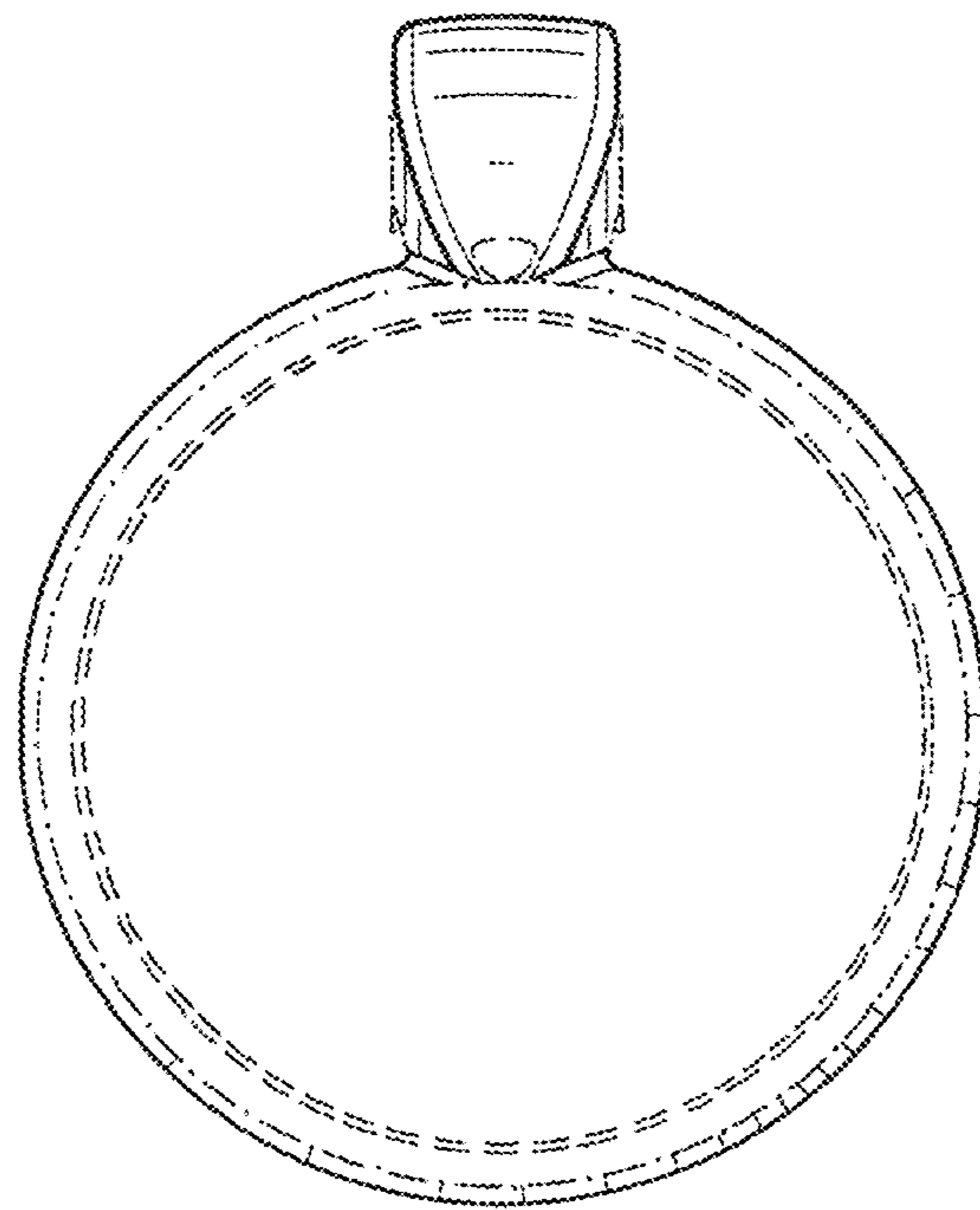


Fig. 7