



US00D842645S

(12) **United States Design Patent**  
**Horimoto et al.**

(10) **Patent No.:** **US D842,645 S**  
(45) **Date of Patent:** **\*\* Mar. 12, 2019**

(54) **DRIN BOTTLE LID**

(71) Applicant: **ZOJIRUSHI CORPORATION**, Osaka (JP)

(72) Inventors: **Mitsunori Horimoto**, Osaka (JP); **Shinichi Kuroda**, Osaka (JP); **Shinpei Morita**, Osaka (JP)

(73) Assignee: **ZOJIRUSHI CORPORATION**, Osaka (JP)

(\*\*) Term: **15 Years**

(21) Appl. No.: **29/610,536**

(22) Filed: **Jul. 13, 2017**

(30) **Foreign Application Priority Data**

Feb. 3, 2017 (JP) ..... 2017-001980

(51) **LOC (11) Cl.** ..... **31-00**

(52) **U.S. Cl.**  
USPC ..... **D7/391**

(58) **Field of Classification Search**  
USPC ..... D7/323, 326-327, 368, 391, 392, 392.1, D7/510, 601, 602, 605, 608; D9/445, D9/449  
CPC ..... A01J 9/08; A23L 3/10; A47J 27/04; A47J 27/004; A47J 36/24; A47J 36/2411; A47J 36/2416; A47J 36/2433; A47J 36/2438; A47J 39/00; A47J 39/006; A47J 41/00; H05B 3/0004  
See application file for complete search history.

(56) **References Cited**

**U.S. PATENT DOCUMENTS**

D451,023 S \* 11/2001 Kitamura ..... D9/449  
D589,743 S \* 4/2009 Pearson ..... D7/392

D655,581 S \* 3/2012 Kotani ..... D7/608  
D675,865 S \* 2/2013 Wahl ..... D7/392.1  
D695,069 S \* 12/2013 Lane ..... D7/510  
D758,790 S \* 6/2016 Boroski ..... D7/392.1  
D780,578 S \* 3/2017 Lane ..... D7/396.2  
D795,011 S \* 8/2017 Pisarevsky ..... D7/507  
D817,713 S \* 5/2018 Lin ..... D7/510  
D818,767 S \* 5/2018 Nezu ..... D7/392.1  
D819,395 S \* 6/2018 Yu ..... D7/391  
D821,136 S \* 6/2018 Silsby ..... D7/392.1  
D821,137 S \* 6/2018 Boroski ..... D7/392.1

\* cited by examiner

*Primary Examiner* — Ricky Pham

(74) *Attorney, Agent, or Firm* — Young & Thompson

(57) **CLAIM**

The ornamental design for a drink bottle lid, as shown and described.

**DESCRIPTION**

FIG. 1. is a front perspective view of the front, right, and top sides of a drink bottle lid showing our new design;  
FIG. 2. is a rear perspective view of the rear, left, and bottom sides thereof;  
FIG. 3. is a front view thereof;  
FIG. 4. is a rear view thereof;  
FIG. 5. is a left side view thereof;  
FIG. 6. is a top plan view thereof; and,  
FIG. 7. is a bottom view thereof.

The broken lines shown represent unclaimed subject matter of the drink bottle lid and form no part of the claimed design. The dash-dot lines represent the boundary between the claimed design and unclaimed design and form no part of the claimed design.

**1 Claim, 7 Drawing Sheets**

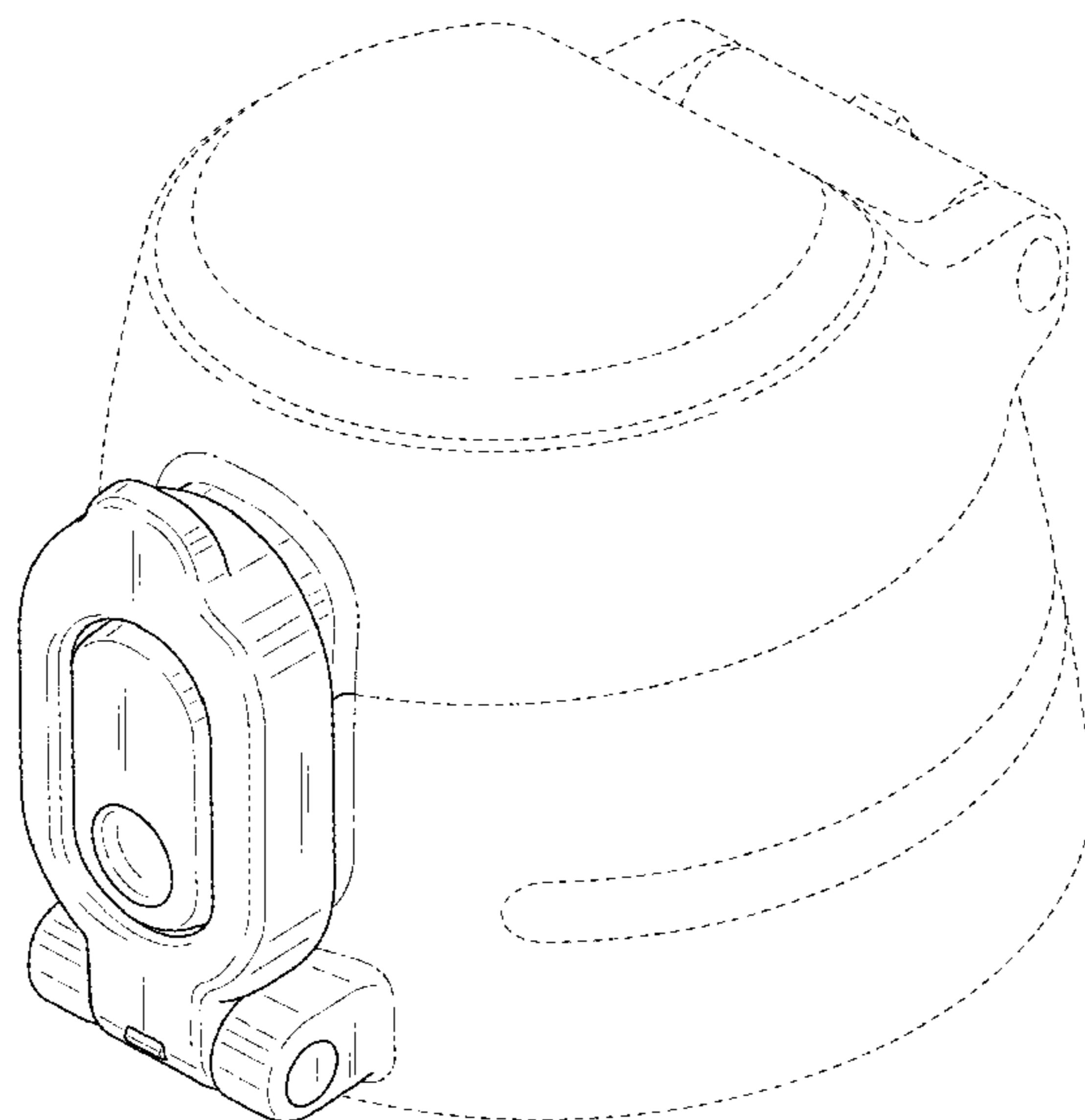


Fig. 1

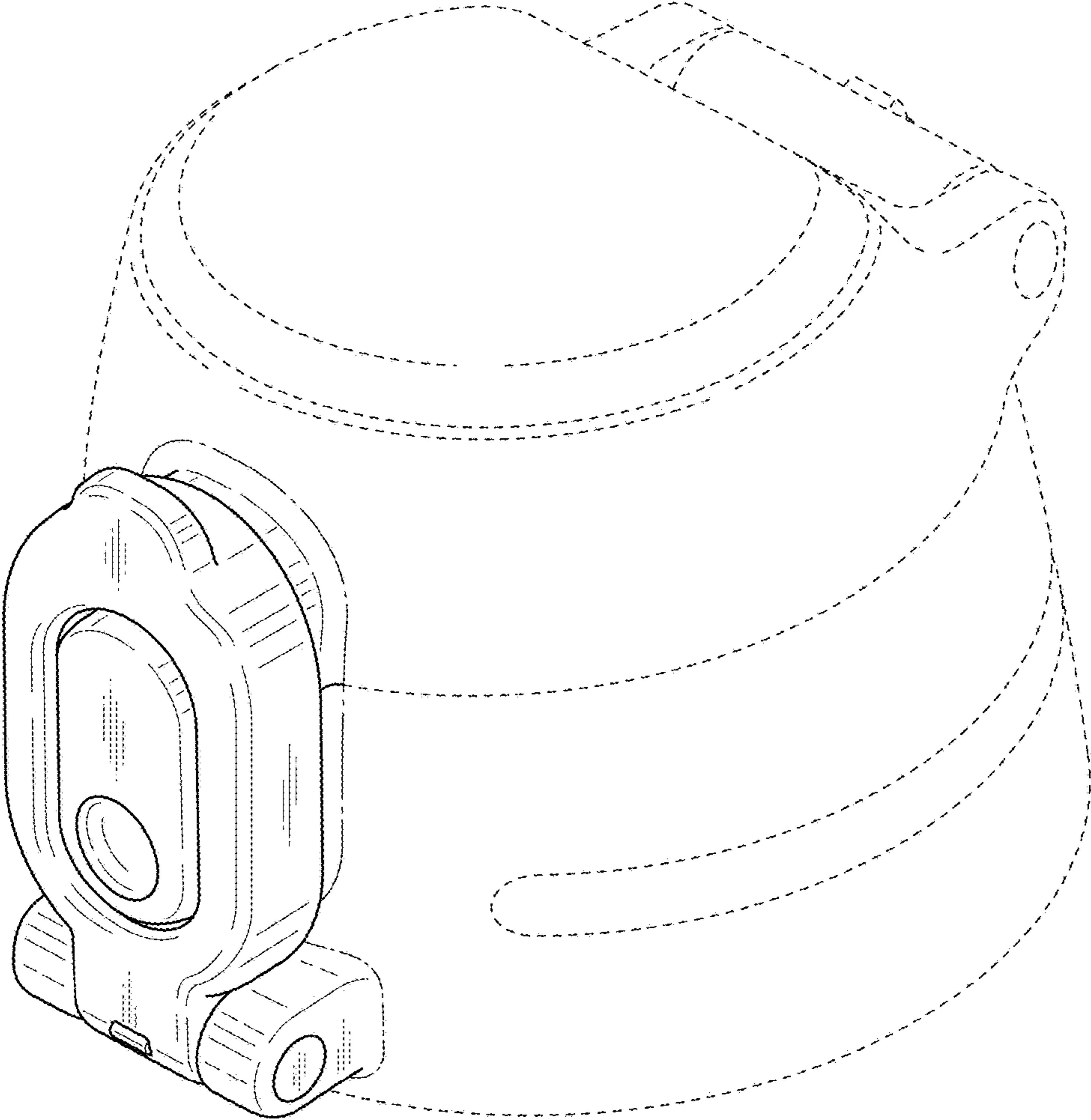


Fig. 2

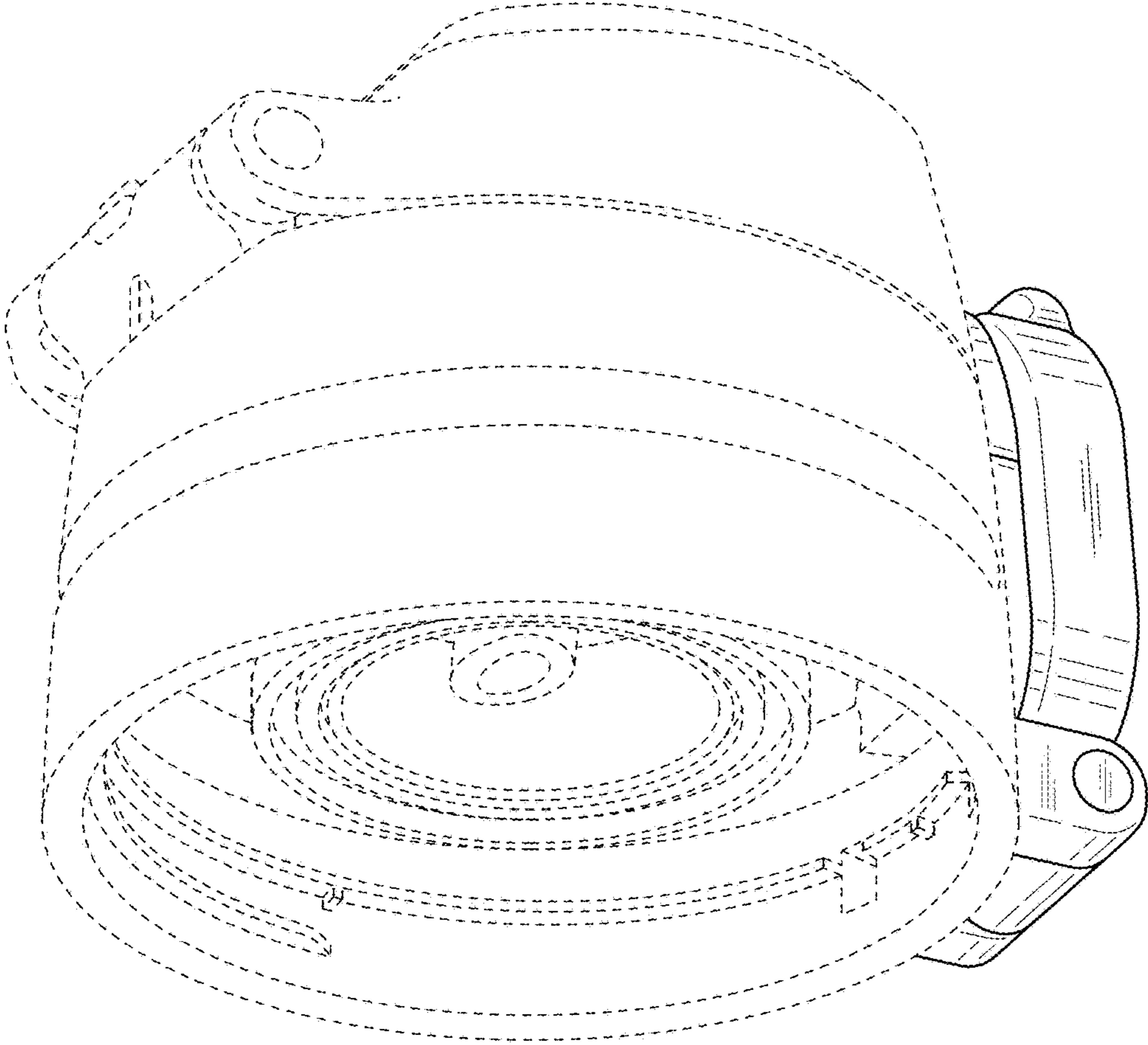


Fig. 3

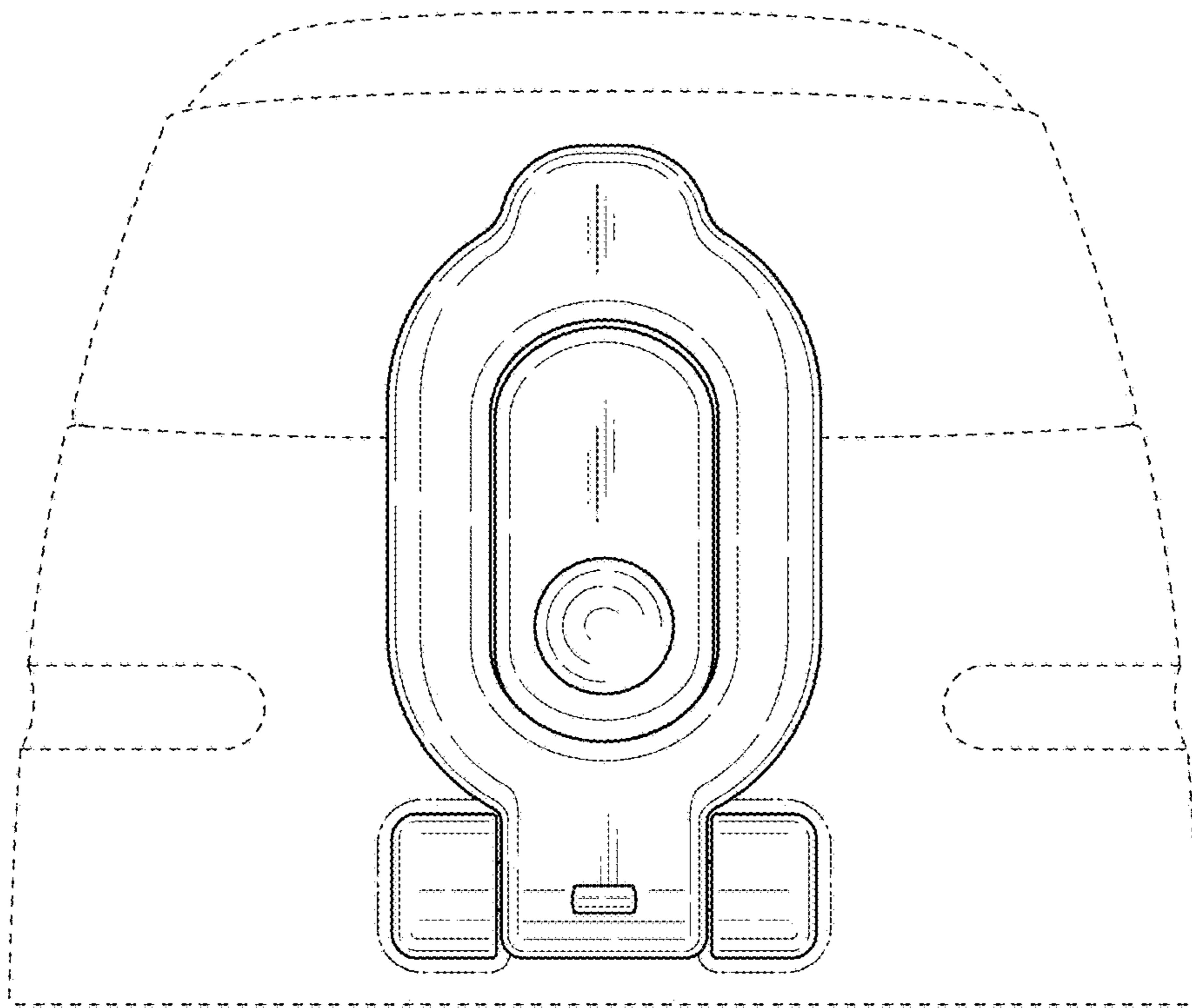


Fig. 4

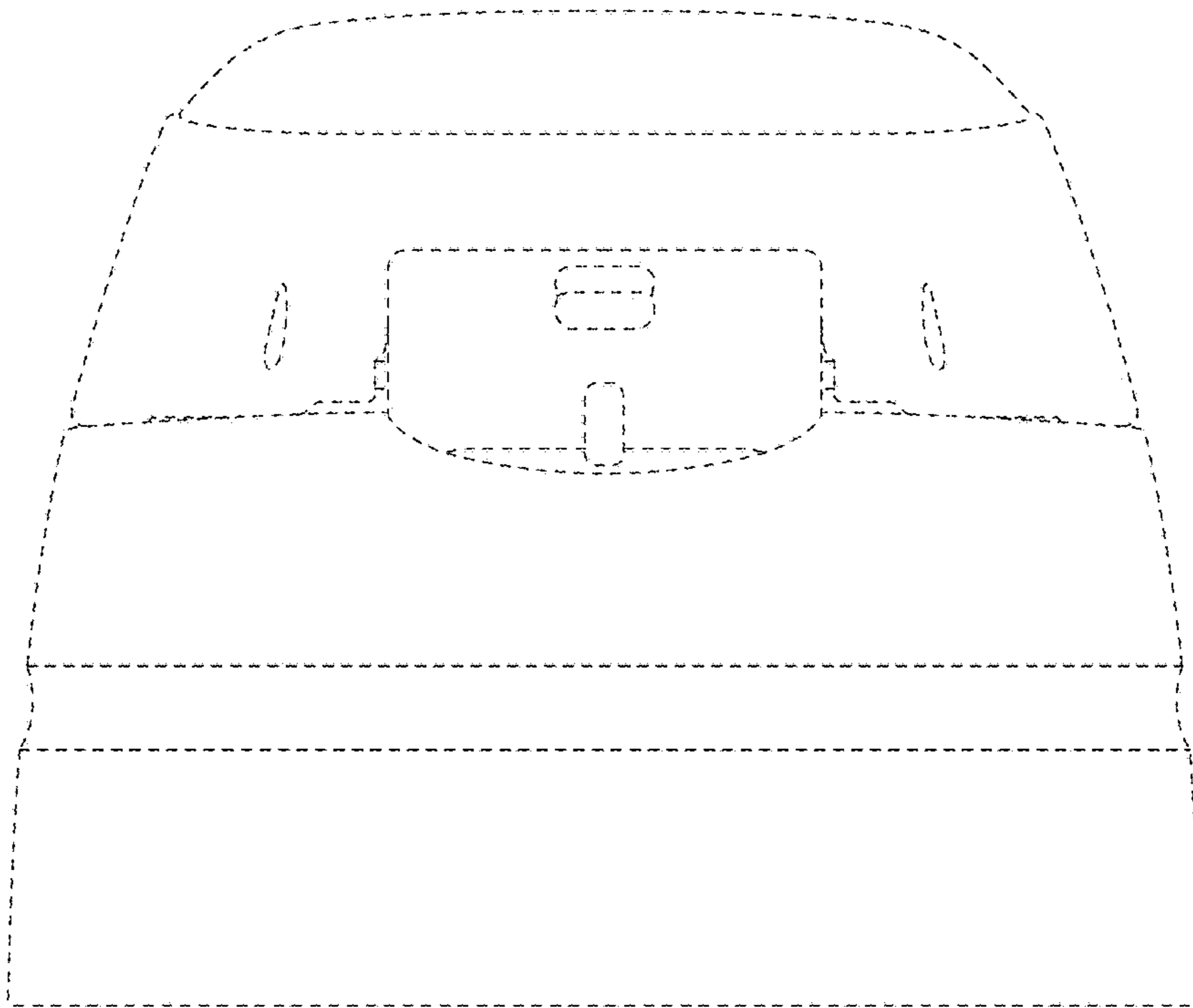


Fig. 5

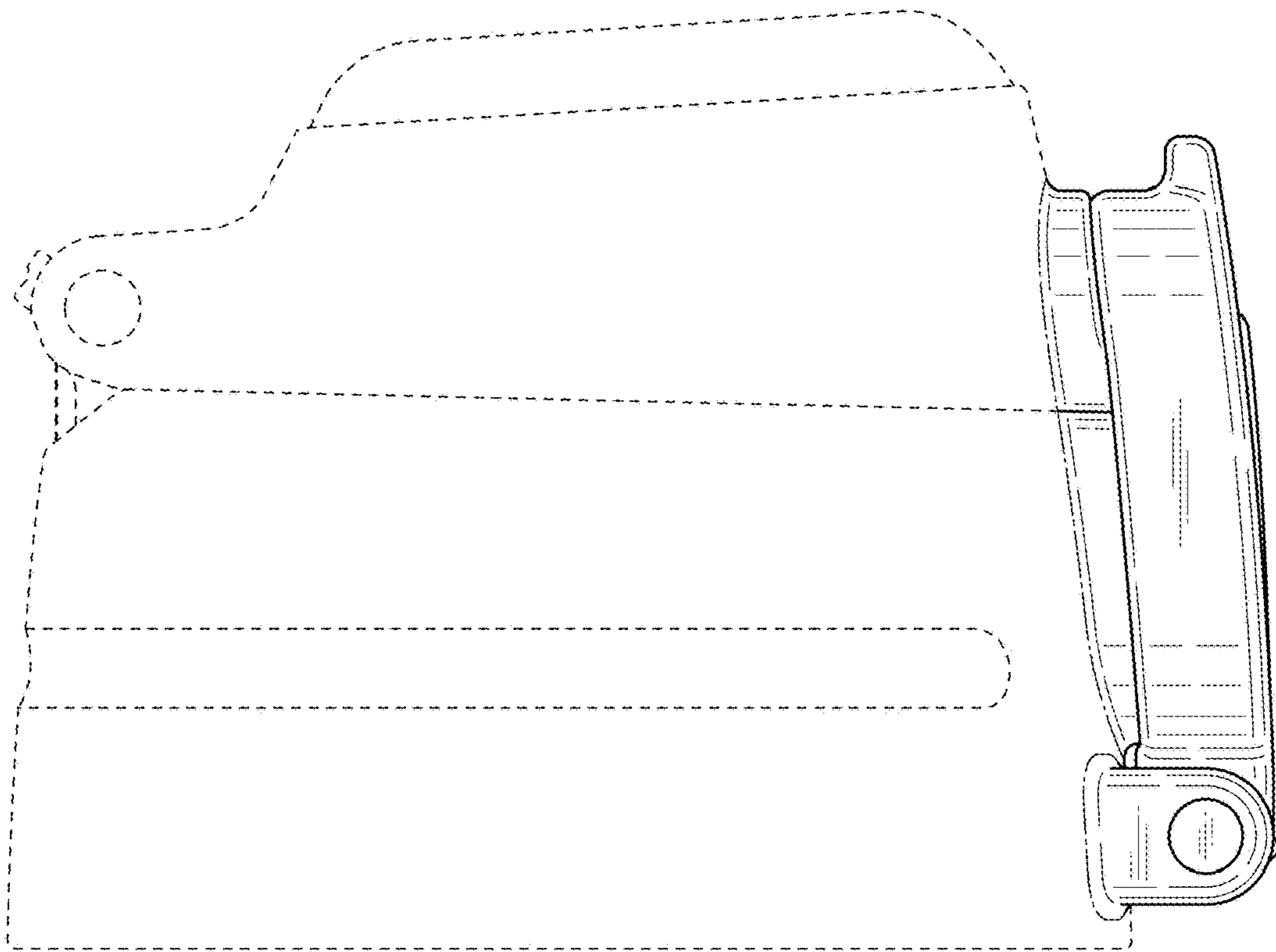


Fig. 6

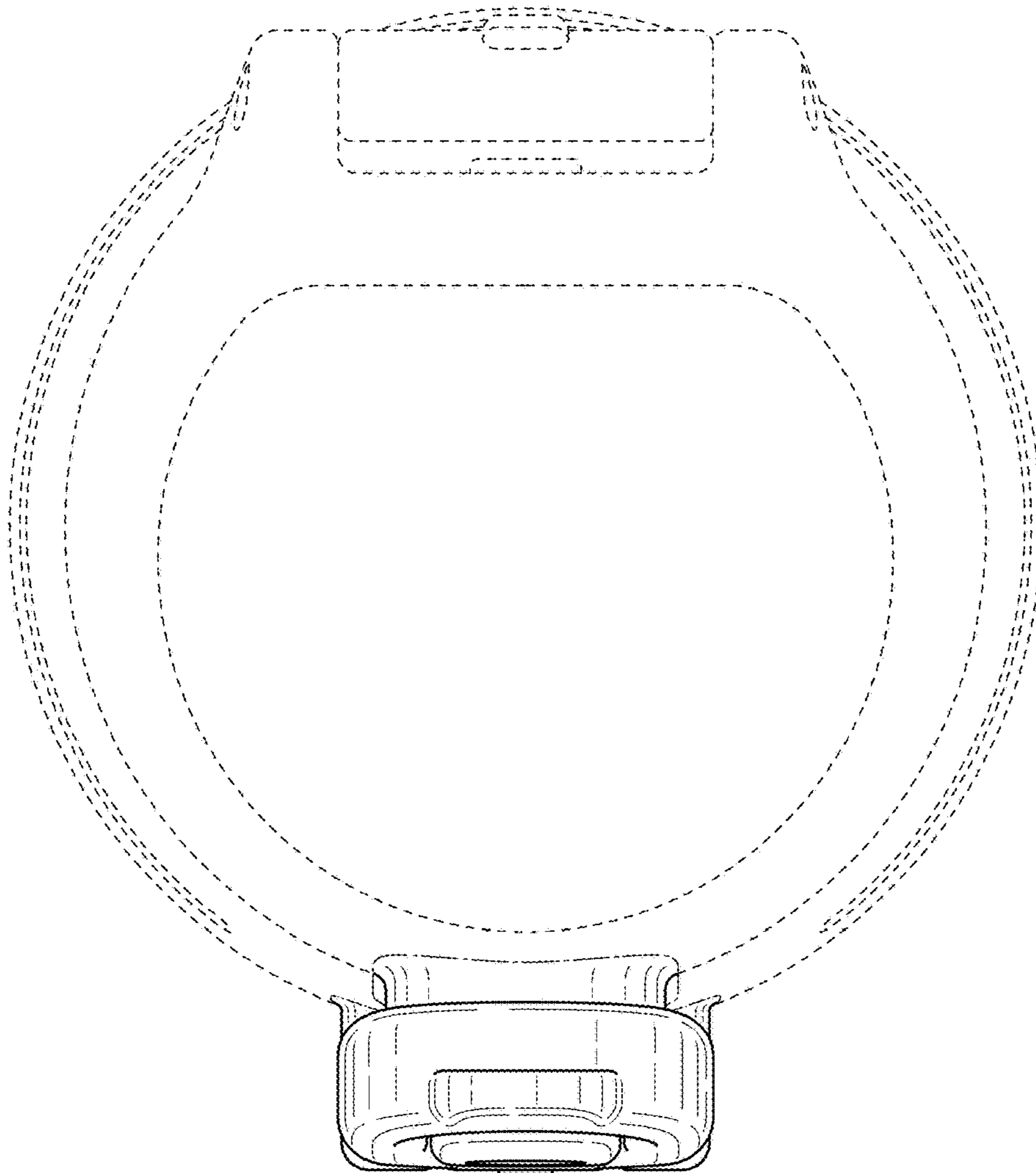


Fig. 7

