



US00D842643S

(12) **United States Design Patent** (10) **Patent No.:** **US D842,643 S**
Mullen et al. (45) **Date of Patent:** **** Mar. 12, 2019**

(54) **BLENDER**
(71) Applicant: **Kenwood Limited**, Havant, Hampshire (GB)
(72) Inventors: **Darren Mullen**, Havant (GB); **Xavier Le Berre**, Havant (GB)
(73) Assignee: **KENWOOD LIMITED**, Havant, Hampshire (GB)

D533,020 S * 12/2006 Kassenaar D7/378
D553,426 S * 10/2007 Lin D7/378
D616,244 S * 5/2010 Thai D7/378
D642,858 S * 8/2011 Lazzer D7/376
D728,302 S * 5/2015 Vu D7/376
D731,235 S * 6/2015 Bradley D7/376
D747,135 S * 1/2016 Ha D7/376
D747,915 S * 1/2016 Kim D7/372
D769,061 S * 10/2016 Diderotto D7/376
D781,098 S * 3/2017 Bond D7/376
D782,865 S * 4/2017 Bazzicalupo D7/376

(Continued)

(**) Term: **15 Years**

(21) Appl. No.: **29/591,943**

(22) Filed: **Jan. 25, 2017**

(30) **Foreign Application Priority Data**

Jul. 29, 2016 (EM) 003324235

(51) **LOC (11) Cl.** **31-00**

(52) **U.S. Cl.**
USPC **D7/378**

(58) **Field of Classification Search**
USPC D7/316, 323, 368, 372.373, 376,
D7/378-384, 386, 390, 393, 403, 412,
D7/602, 624, 626, 629, 665-666, 675,
D7/679, 693-694

CPC A47J 43/00; A47J 43/0722; A47J 43/0727;
A47J 43/075; A47J 43/046; A47J 43/044;
A47J 43/06; A47J 43/07; A21C 1/04;
A21C 1/02; A23N 1/00

See application file for complete search history.

(56) **References Cited**

U.S. PATENT DOCUMENTS

D176,257 S * 12/1955 Hill D7/378
D181,541 S * 11/1957 Maddl et al. D7/378
D347,966 S * 6/1994 Doggett D7/378
D352,422 S * 11/1994 Bigelow D7/372
D502,358 S * 3/2005 Weaden D7/378
D512,265 S * 12/2005 McCurrach D7/378

OTHER PUBLICATIONS

“Surry commercial blender”, posted May 31, 2016 [online], [retrieved Sep. 25, 2018]. Retrieved from internet, http://www.sunrry.com/Products/Show_246.html.*

(Continued)

Primary Examiner — Barbara Fox

Assistant Examiner — Mehri F Bajoul

(74) *Attorney, Agent, or Firm* — Brinks Gilson & Lione;
John C. Freeman

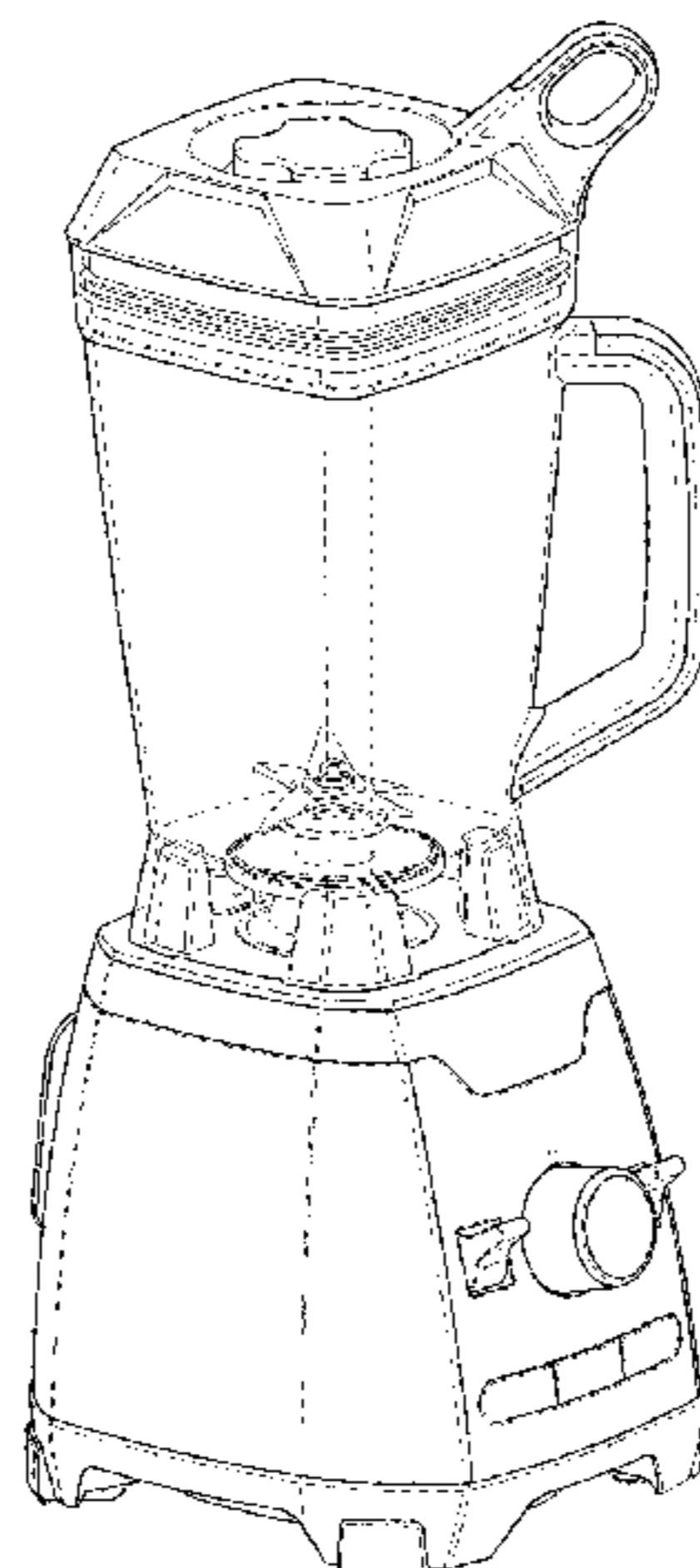
(57) **CLAIM**

The ornamental design for a blender, as shown and described.

DESCRIPTION

FIG. 1 is a front perspective view of a blender according to the present invention;
FIG. 2 is a front view thereof;
FIG. 3 is a rear view thereof;
FIG. 4 is a right side view thereof;
FIG. 5 is a left side view thereof;
FIG. 6 is top view thereof; and,
FIG. 7 is a bottom view thereof.
The broken lines shown in the drawings depict portions of the blender that form no part of the claimed design.

1 Claim, 7 Drawing Sheets



(56)

References Cited

U.S. PATENT DOCUMENTS

D784,071 S * 4/2017 Davies D7/376
D807,700 S * 1/2018 Tu D7/413
D811,806 S * 3/2018 Bock D7/386
2015/0101491 A1* 4/2015 Lin A47J 27/004
99/348

OTHER PUBLICATIONS

“OHSO commercial blender”, no publishing date available [online],
[retrieved Sep. 25, 2018]. Retrieved from internet, <http://https://ohso.red/product/professional-commercial-blender/>.*

* cited by examiner

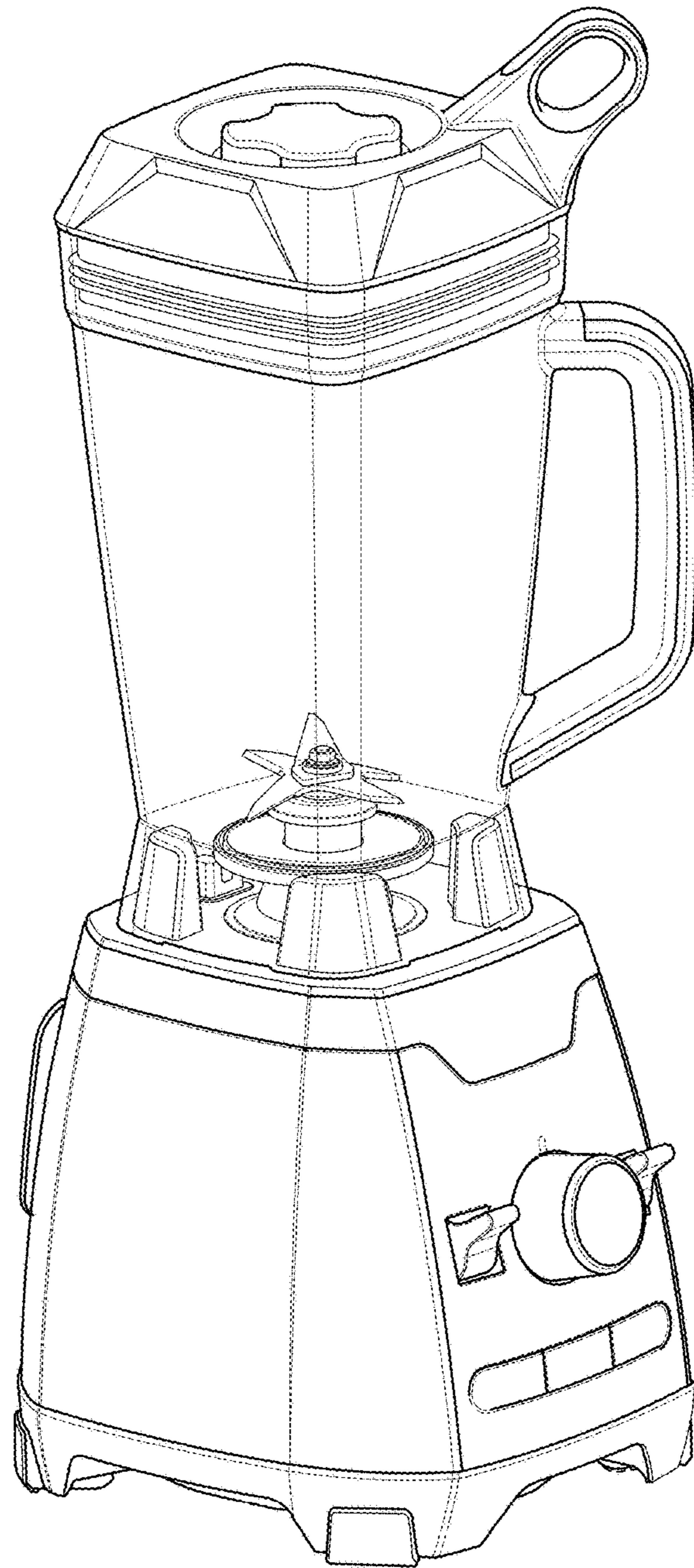


Fig. 1

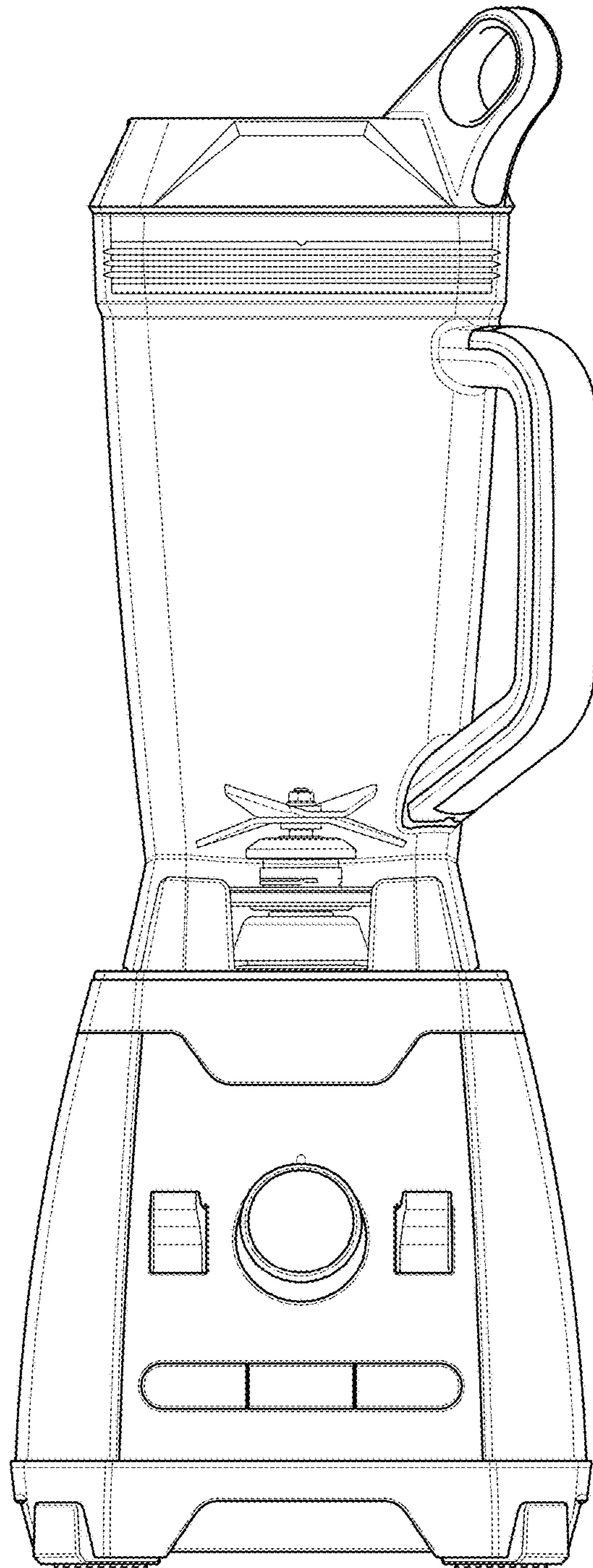


Fig. 2

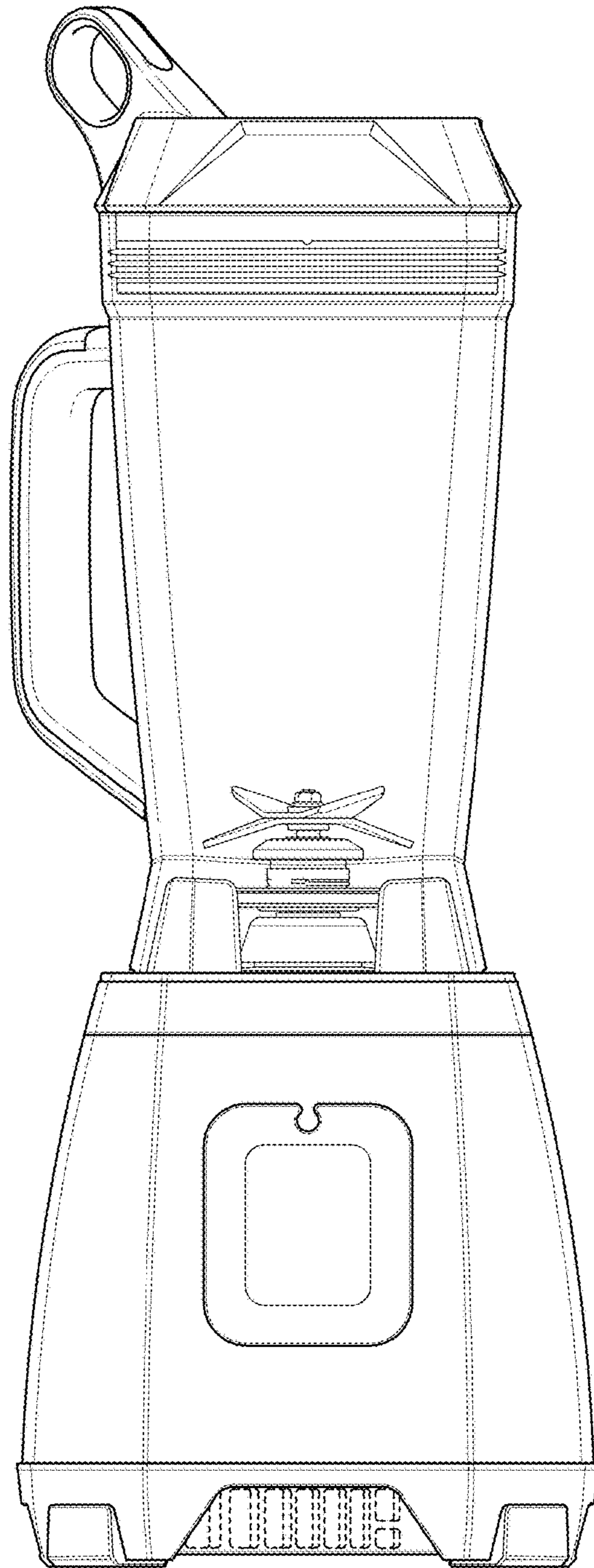


Fig. 3

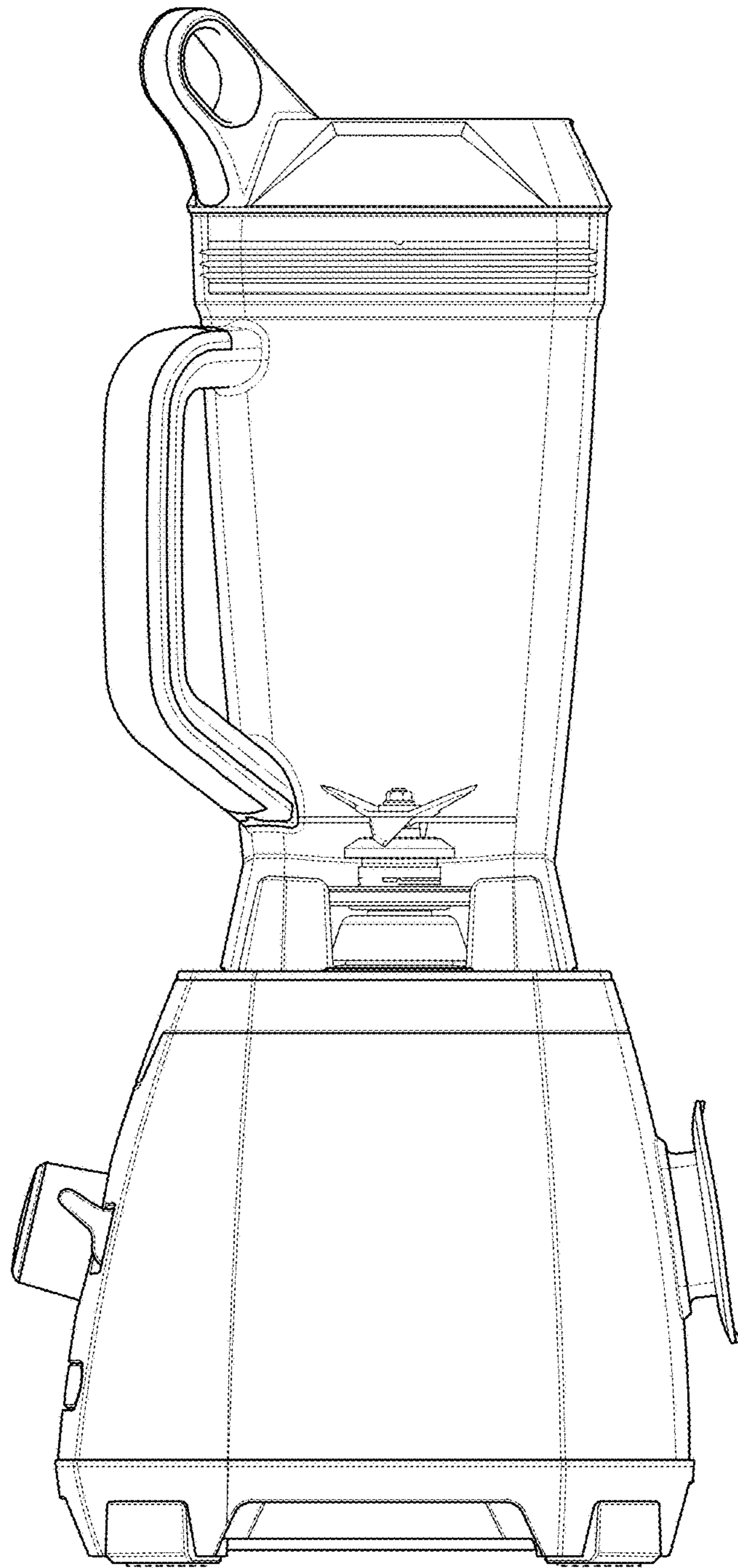


Fig. 4

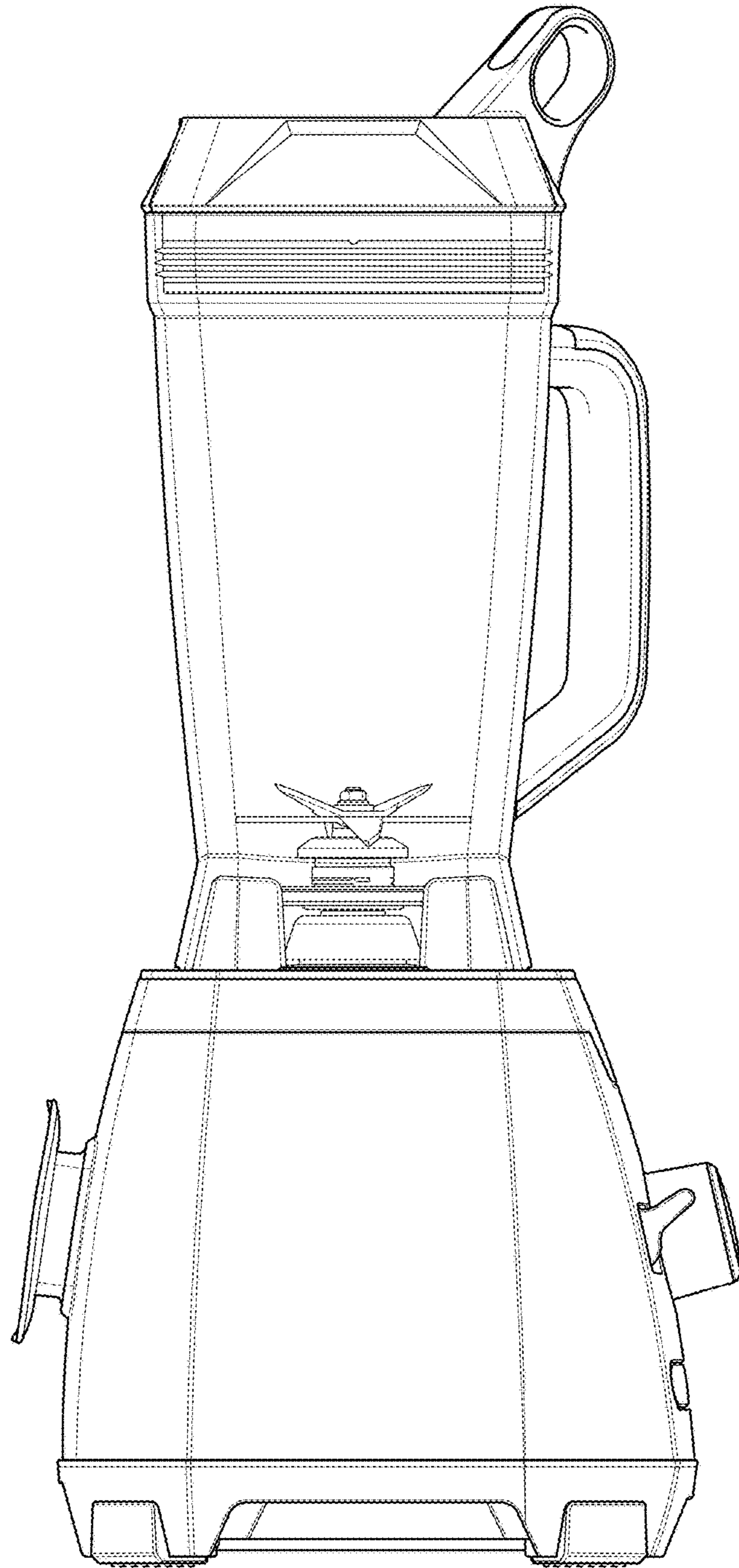


Fig. 5

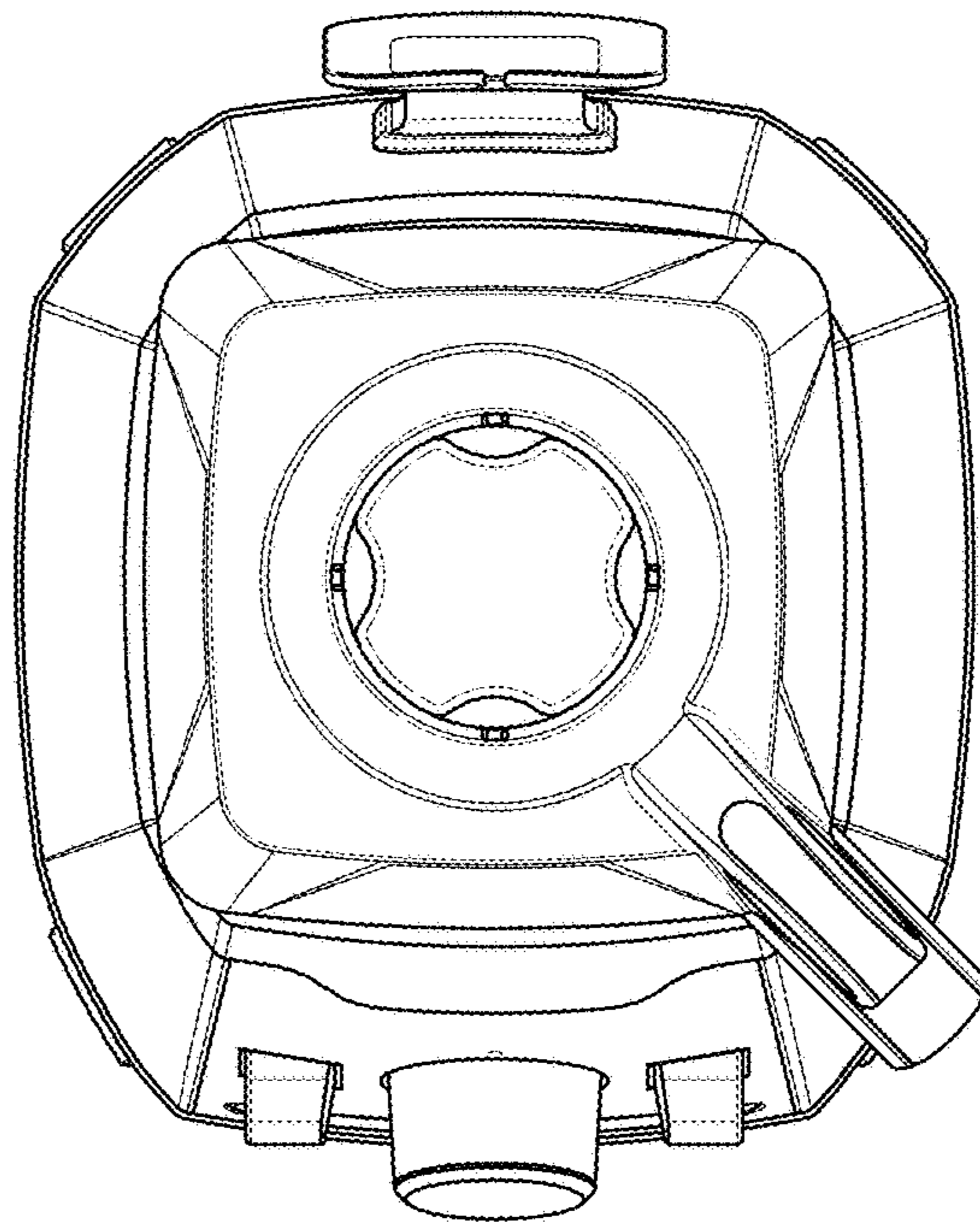


Fig. 6

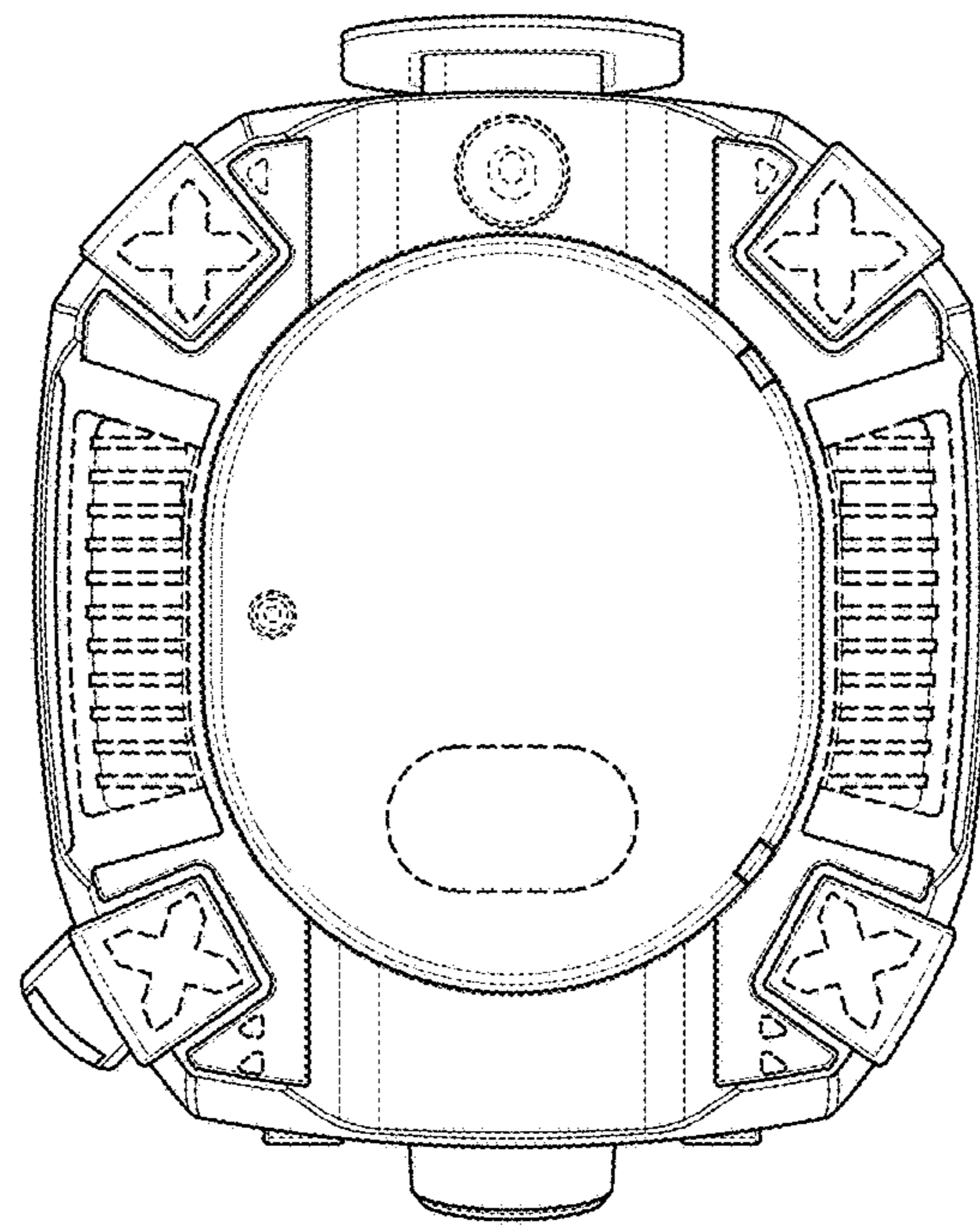


Fig. 7